

Revision History

Rev	ECN #	Approved Date	Approved by	Notes
N/A	N/A	N/A	N/A	N/A

Page 2 BLOCK DIAGRAM

Page 3 POWER SUPPLY (LDOs and INVERTER FOR NEGATIVE SUPPLY)

Page 4 AMC1301 ISOLATION AMPLIFIER and POTENTIAL DIVIDER

Page 5 CURRENT INPUTs, VOLATGE INPUTs and GAIN AMPLIFIER

Page 6 REFERNCE, REFERENCE BUFFER and COMPARTOR

Page 7 ADC1-ADS131A04 + ADC104S021

Page 8 ADC2-ADS131A04 + ADC104S021

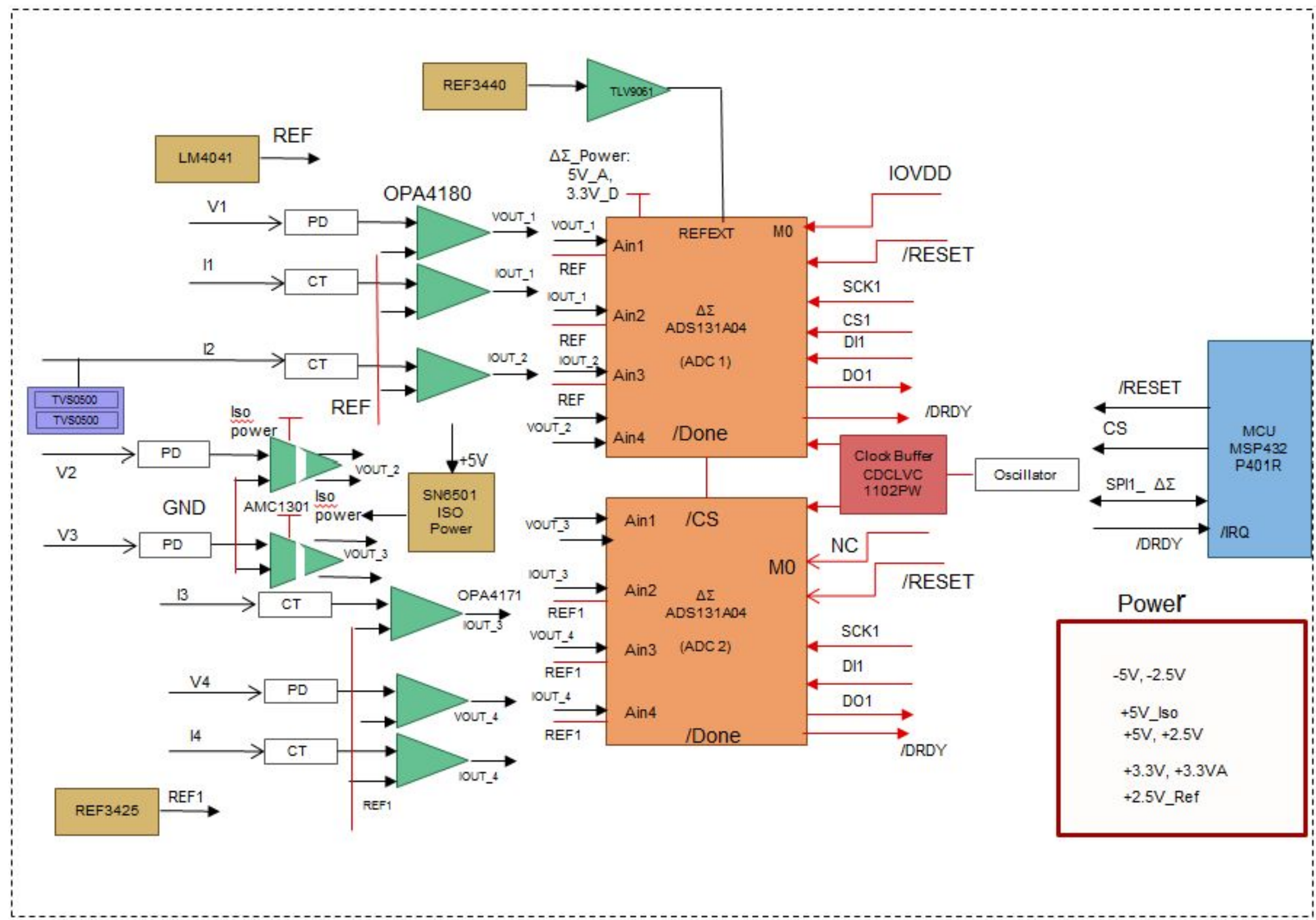
Page 9 OSCILLATOR , DUAL OUTPUT CLOCK BUFFER

Texas Instruments and/or its licensors do not warrant the accuracy or completeness of this specification or any information contained therein. Texas Instruments and/or its licensors do not warrant that this design will meet the specifications, will be suitable for your application or fit for any particular purpose, or will operate in an implementation. Texas Instruments and/or its licensors do not warrant that the design is production worthy. You should completely validate and test your design implementation to confirm the system functionality for your application.

Orderable: N/A	Designed for: Public Release	Mod. Date: 4/26/2016
TID #: 00835	Project Title: ADS131 A04_AFE	
Number: TIDA-00835	Rev: E2	Sheet Title: Cover Sheet
SVN Rev: Not in version control	Assembly Variant: 001	Sheet: 1 of 10
Drawn By: Sreenivasa	File: TIDA-00835_CoverSheet.SchDoc	Size: B
Engineer: Sreenivasa	Contact: http://www.ti.com/support	



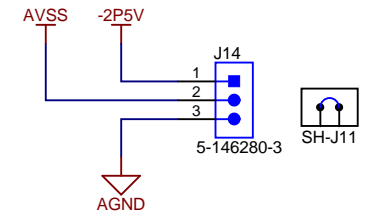
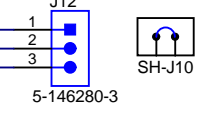
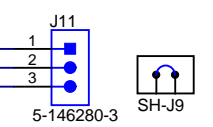
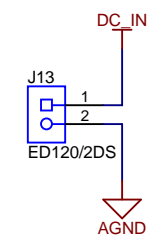
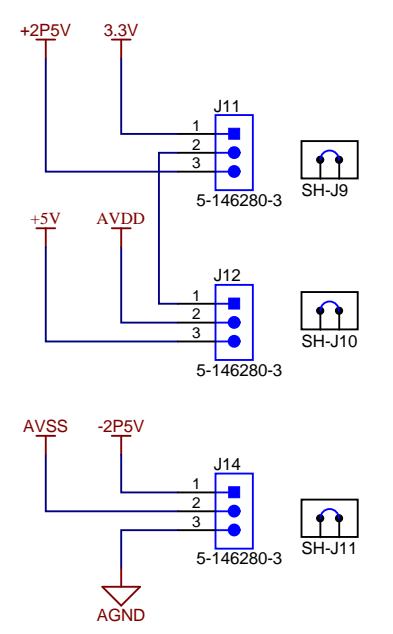
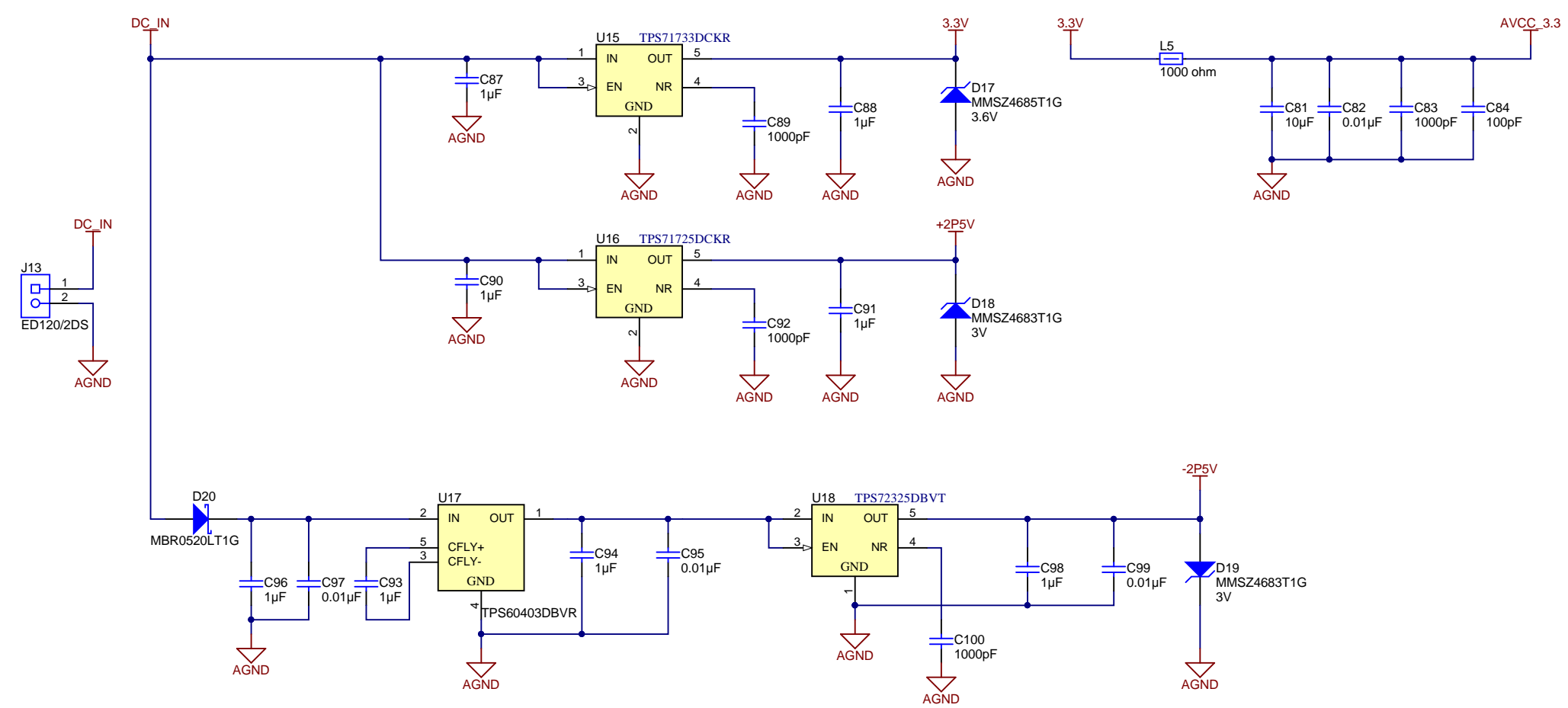
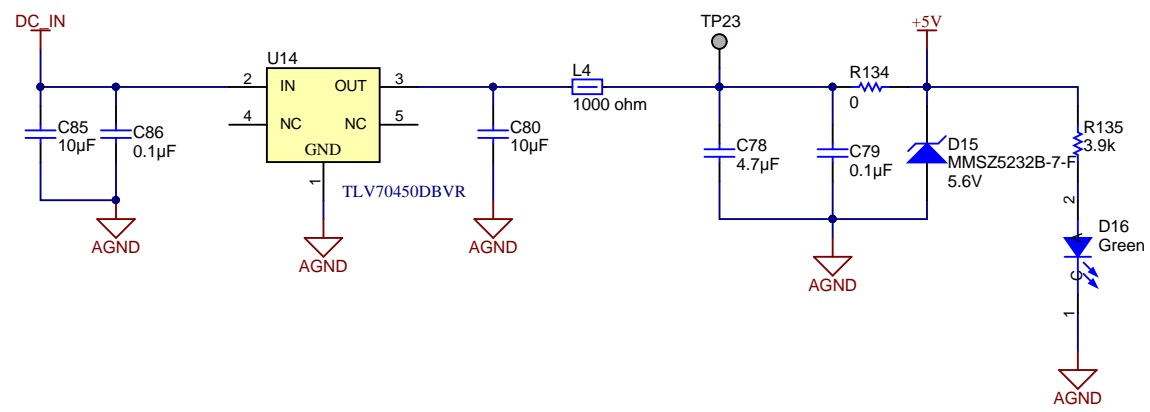
Revision History				
Rev	ECN #	Approved Date	Approved by	Notes
N/A	N/A	N/A	N/A	N/A



Texas Instruments and/or its licensors do not warrant the accuracy or completeness of this specification or any information contained therein. Texas Instruments and/or its licensors do not warrant that this design will meet the specifications, will be suitable for your application or fit for any particular purpose, or will operate in an implementation. Texas Instruments and/or its licensors do not warrant that the design is production worthy. You should completely validate and test your design implementation to confirm the system functionality for your application.

Orderable: N/A	Designed for: Public Release	Mod. Date: 7/25/2018
TID #: 00835	Project Title: ADS131 A04_AFE	
Number: TIDA-00835	Rev: E2	Sheet Title: Cover Sheet
SVN Rev: Not in version control	Assembly Variant: 001	Sheet: 2 of 10
Drawn By: Sreenivasa	File: TIDA-00835_Block Diagram.SchDoc	Size: B
Engineer: Sreenivasa	Contact: http://www.ti.com/support	

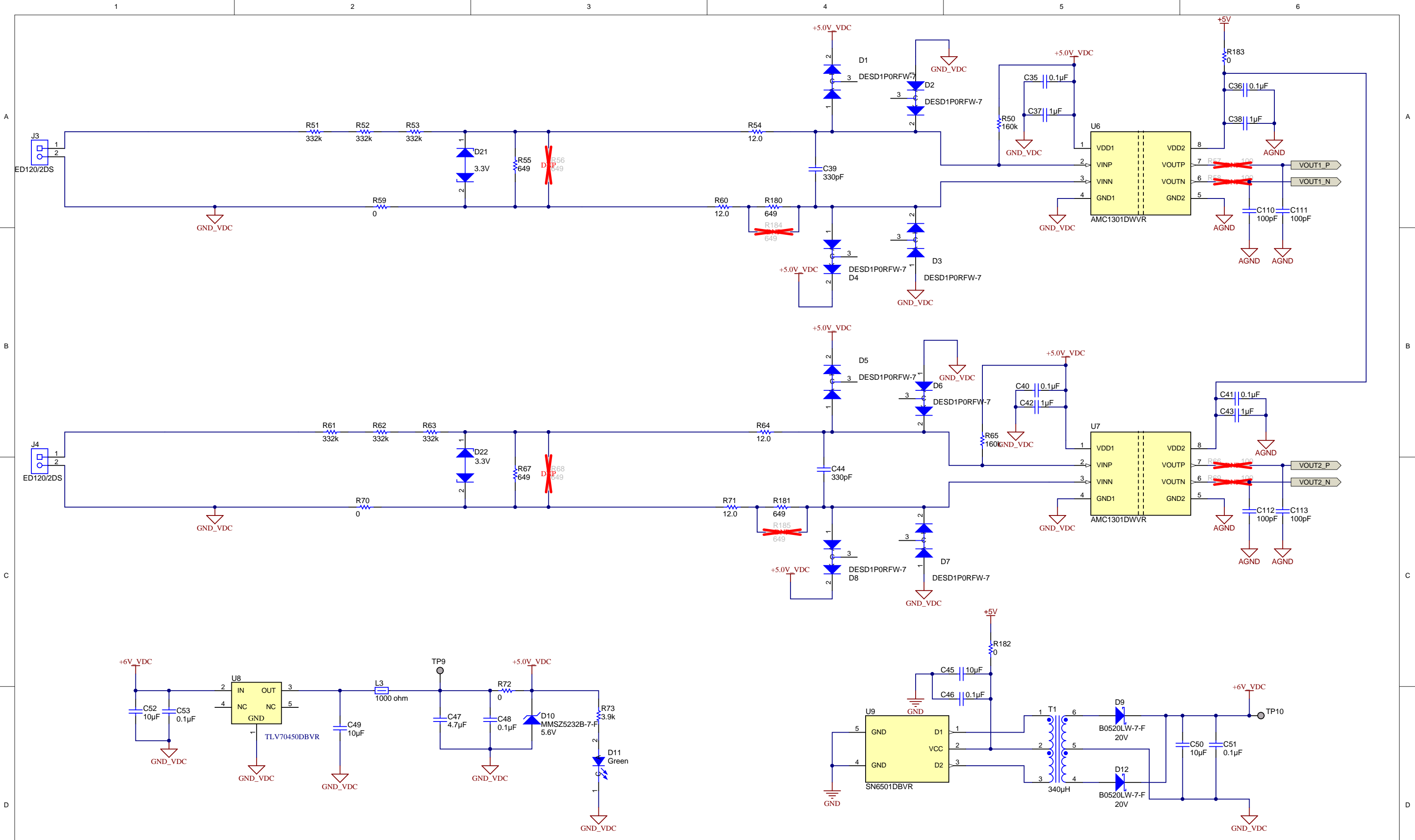




Texas Instruments and/or its licensors do not warrant the accuracy or completeness of this specification or any information contained therein. Texas Instruments and/or its licensors do not warrant that this design will meet the specifications, will be suitable for your application or fit for any particular purpose, or will operate in an implementation. Texas Instruments and/or its licensors do not warrant that the design is production worthy. You should completely validate and test your design implementation to confirm the system functionality for your application.

Orderable: N/A	Designed for: Public Release	Mod. Date: 4/22/2016
TID #: 00835	Project Title: ADS131 A04_AFE	
Number: TIDA-00835	Rev: E2	Sheet Title: Power Supply
SVN Rev: Not in version control	Assembly Variant: 001	Sheet: 3 of 10
Drawn By: Sreenivasa	File: TIDA-00835_POWER SUPPLY.SchDoc	Size: B
Engineer: Sreenivasa	Contact: http://www.ti.com/support	





Texas Instruments and/or its licensors do not warrant the accuracy or completeness of this specification or any information contained therein. Texas Instruments and/or its licensors do not warrant that this design will meet the specifications, will be suitable for your application or fit for any particular purpose, or will operate in an implementation. Texas Instruments and/or its licensors do not warrant that the design is production worthy. You should completely validate and test your design implementation to confirm the system functionality for your application.

Orderable: N/A	Designed for: Public Release	Mod. Date: 5/18/2016
TID #: 00835	Project Title: ADS131 A04_AFE	
Number: TIDA-00835	Rev: E2	Sheet Title: Isolation Amplifier
SVN Rev: Not in version control	Assembly Variant: 001	Sheet: 4 of 10
Drawn By: Sreenivasa	File: TIDA-00835_Isolation Amplifier.SchDoc	Size: B
Engineer: Sreenivasa	Contact: http://www.ti.com/support	



A

A

B

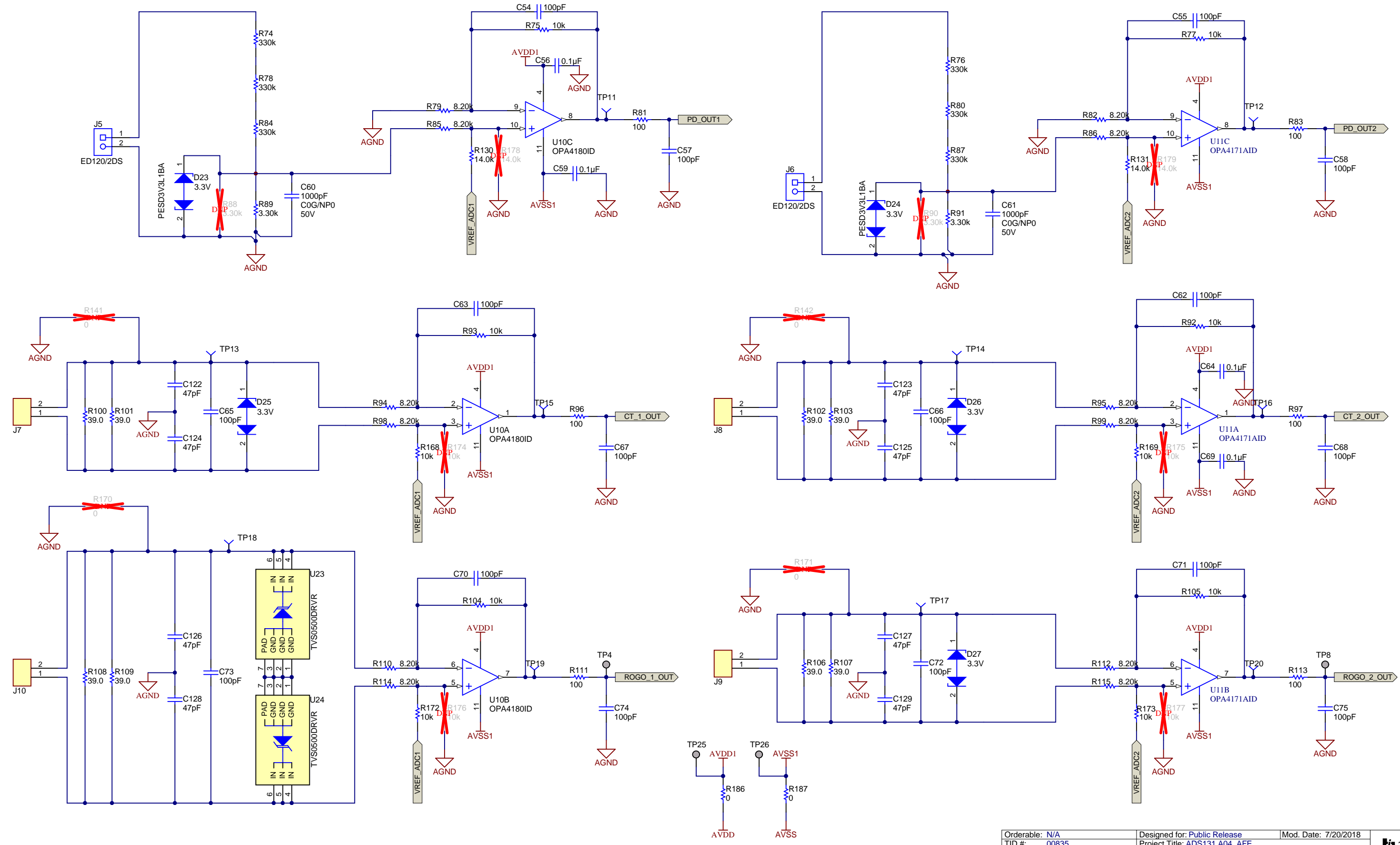
B

C

C

D

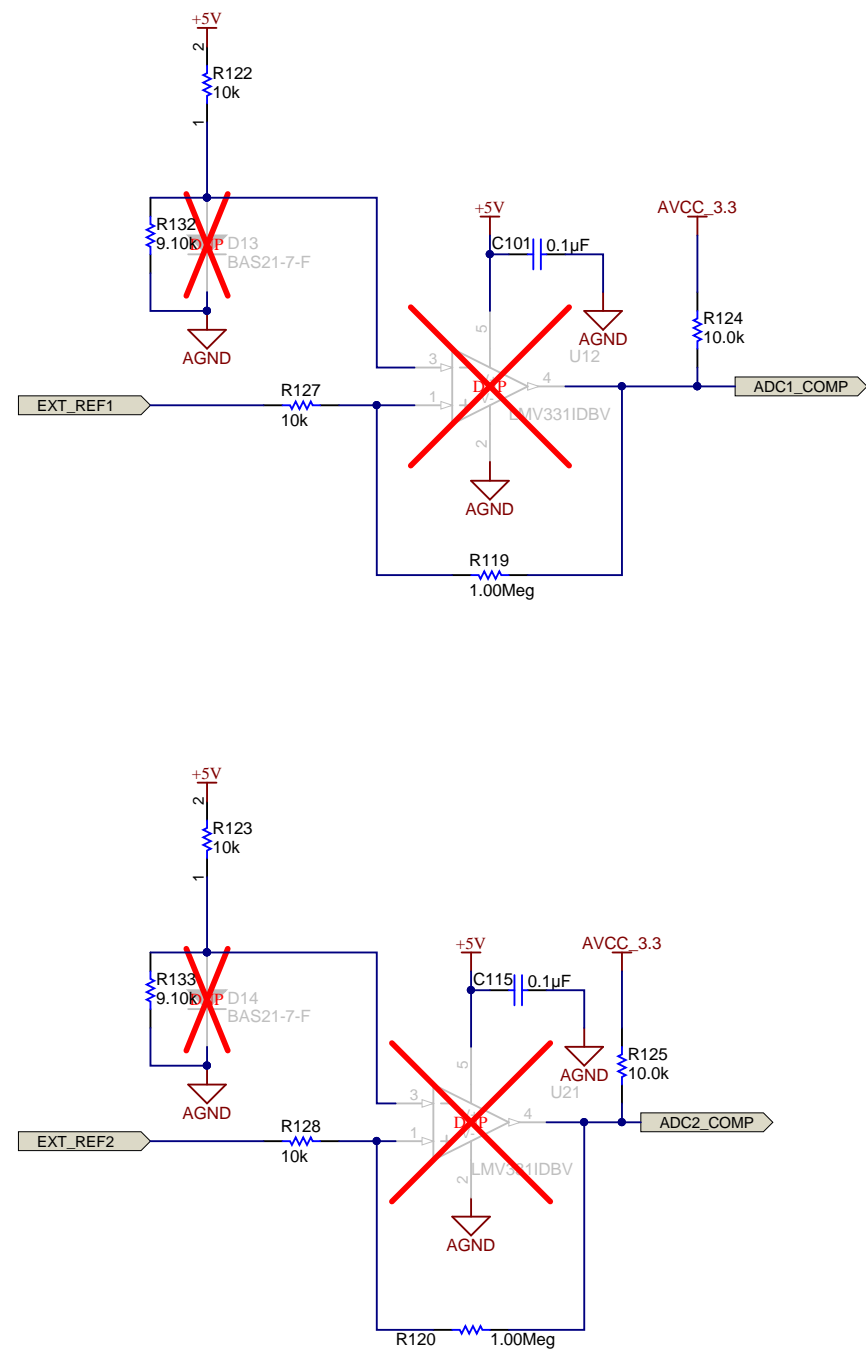
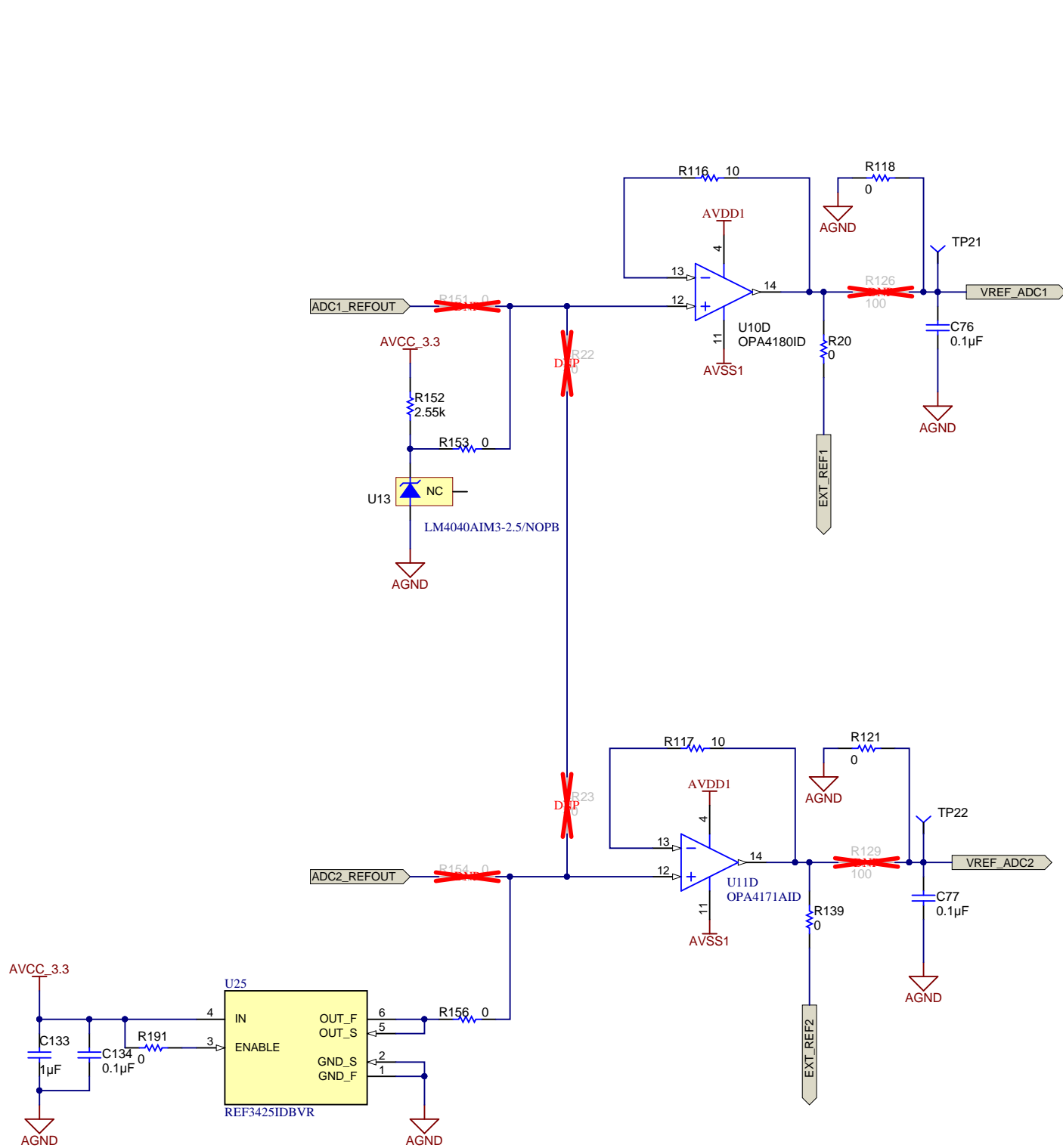
D



Texas Instruments and/or its licensors do not warrant the accuracy or completeness of this specification or any information contained therein. Texas Instruments and/or its licensors do not warrant that this design will meet the specifications, will be suitable for your application or fit for any particular purpose, or will operate in an implementation. Texas Instruments and/or its licensors do not warrant that the design is production worthy. You should completely validate and test your design implementation to confirm the system functionality for your application.

Orderable: N/A	Designed for: Public Release	Mod. Date: 7/20/2018
TID #: 00835	Project Title: ADS131 A04_AFE	
Number: TIDA-00835	Rev: E2	Sheet Title: OP-AMP
SVN Rev: Not in version control	Assembly Variant: 001	Sheet: 5 of 10
Drawn By: Sreenivasa	File: TIDA-00835_OP-AMP_SchDoc	Size: B
Engineer: Sreenivasa	Contact: http://www.ti.com/support	



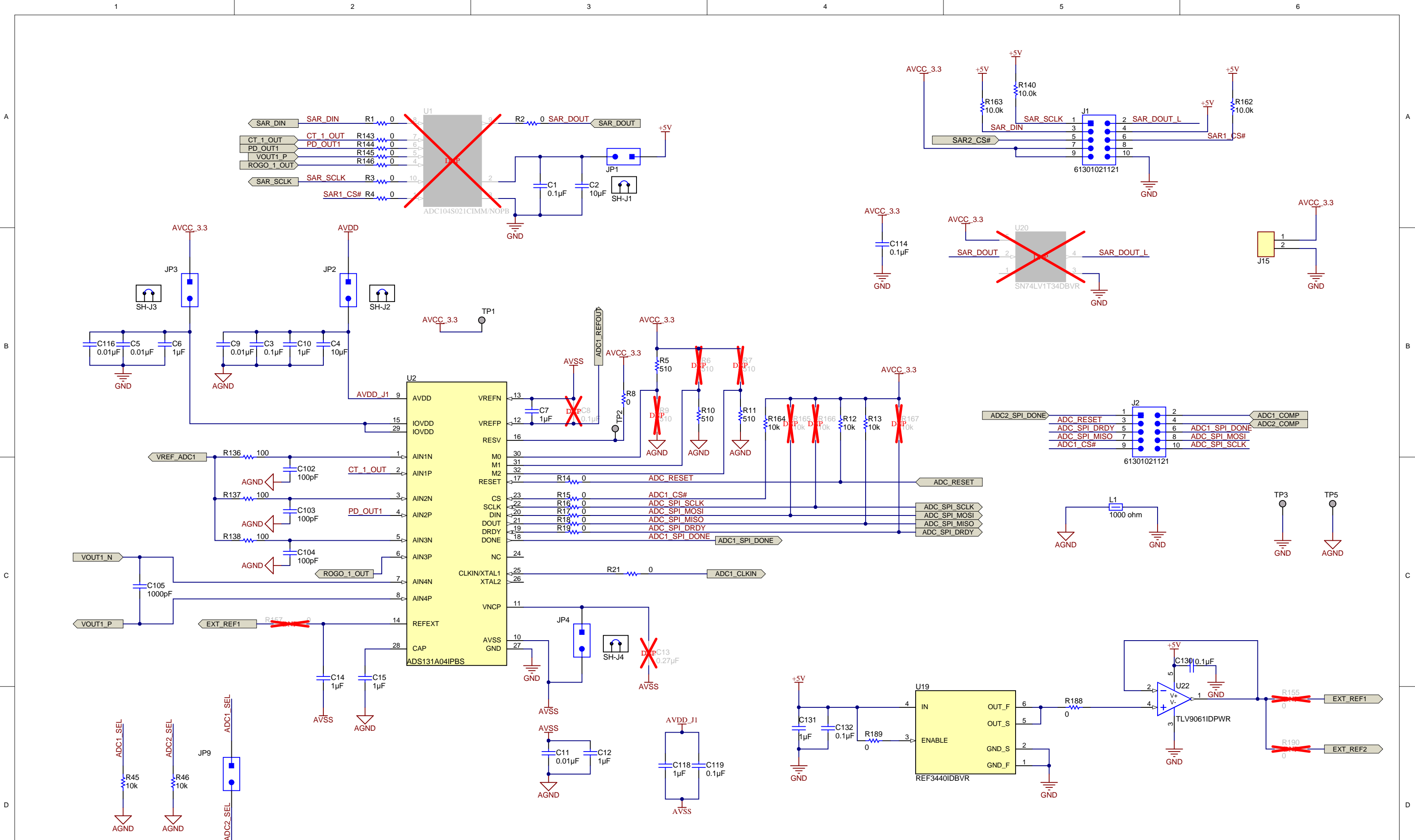


Texas Instruments and/or its licensors do not warrant the accuracy or completeness of this specification or any information contained therein. Texas Instruments and/or its licensors do not warrant that this design will meet the specifications, will be suitable for your application or fit for any particular purpose, or will operate in an implementation. Texas Instruments and/or its licensors do not warrant that the design is production worthy. You should completely validate and test your design implementation to confirm the system functionality for your application.

Orderable: N/A	Designed for: Public Release	Mod. Date: 7/20/2018
TID #: 00835	Project Title: ADS131 A04_AFE	
Number: TIDA-00835	Rev: E2	Sheet Title: OP-AMP
SVN Rev: Not in version control	Assembly Variant: 001	Sheet: 6 of 10
Drawn By: Sreenivasa	File: TIDA-00835_Reference.SchDoc	Size: B
Engineer: Sreenivasa	Contact: http://www.ti.com/support	



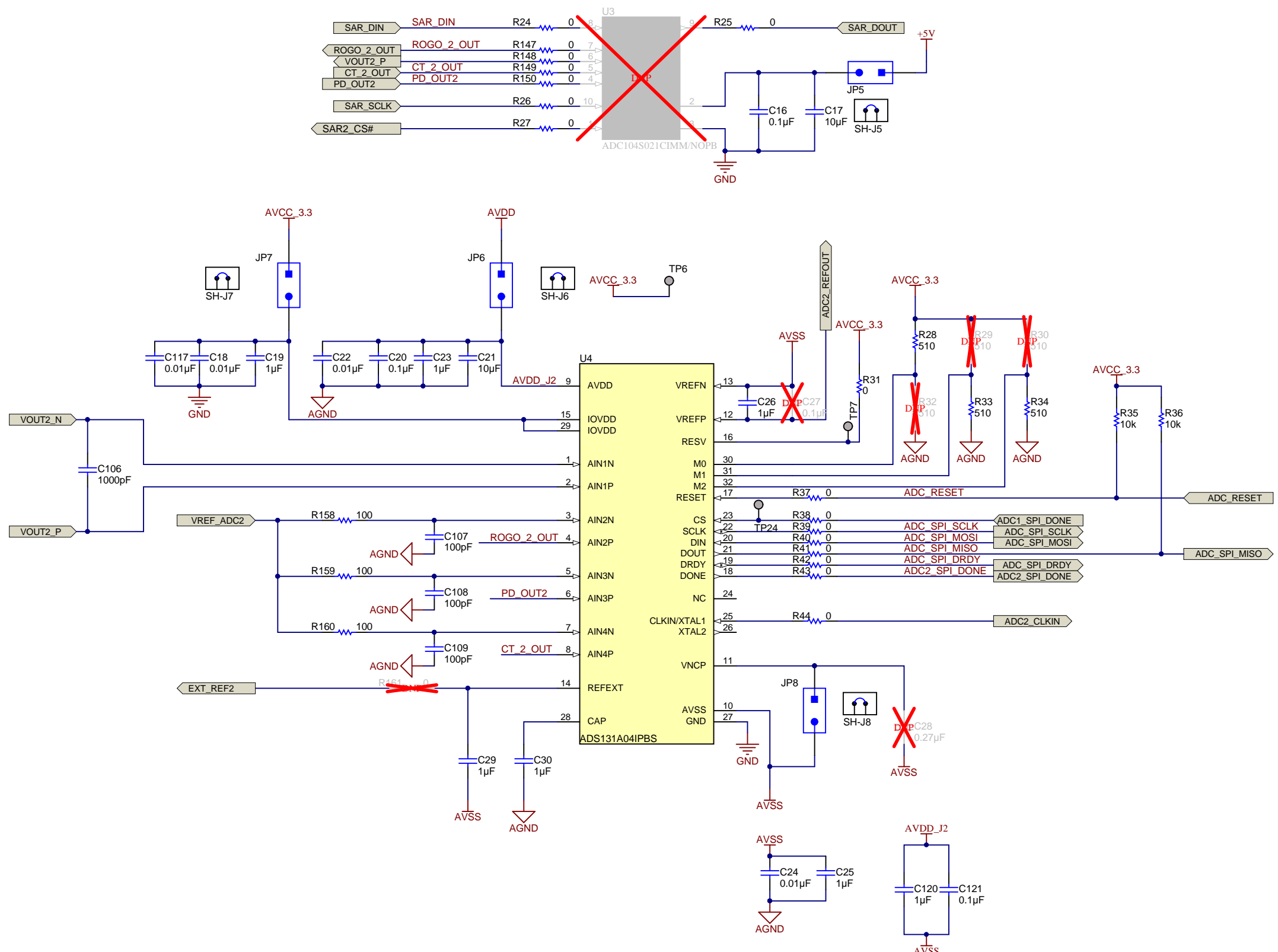
© Texas Instruments 2016



Orderable: N/A	Designed for: Public Release	Mod. Date: 7/24/2018
TID #: 00835	Project Title: ADS131 A04_AFE	
Number: TIDA-00835	Rev: E2	Sheet Title: ADC1
SVN Rev: Not in version control	Assembly Variant: 001	Sheet: 7 of 10
Drawn By: Sreenivasa	File: TIDA-00835_ADC1.SchDoc	Size: B
Engineer: Sreenivasa	Contact: http://www.ti.com/support	

Texas Instruments and/or its licensors do not warrant the accuracy or completeness of this specification or any information contained therein. Texas Instruments and/or its licensors do not warrant that this design will meet the specifications, will be suitable for your application or fit for any particular purpose, or will operate in an implementation. Texas Instruments and/or its licensors do not warrant that the design is production worthy. You should completely validate and test your design implementation to confirm the system functionality for your application.

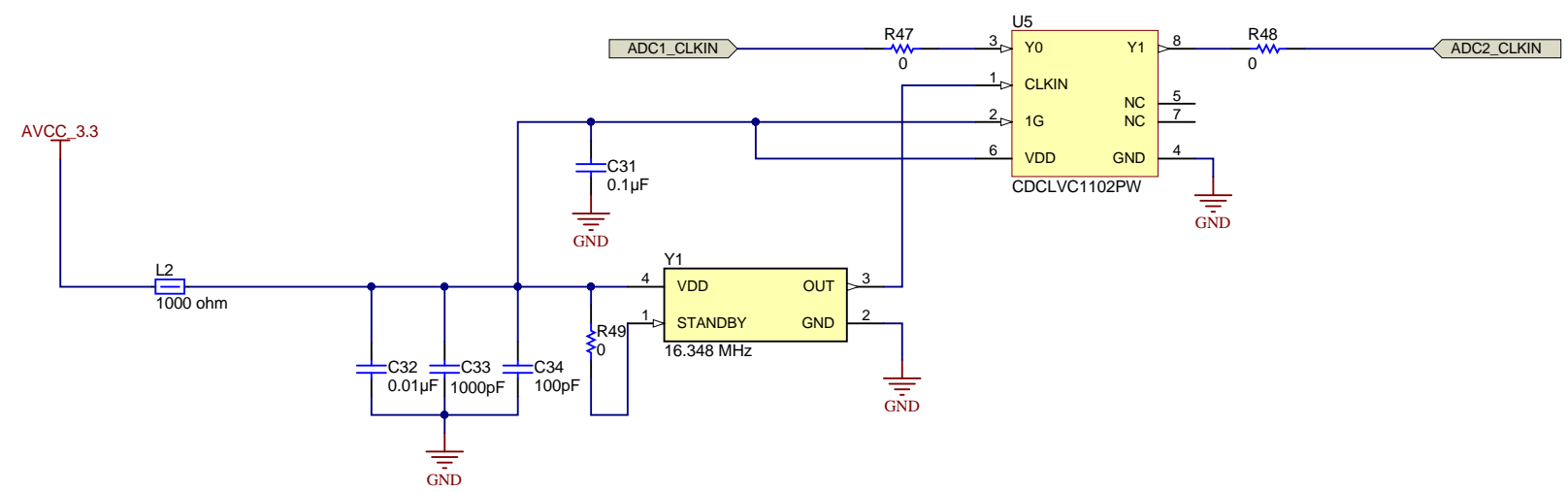




Texas Instruments and/or its licensors do not warrant the accuracy or completeness of this specification or any information contained therein. Texas Instruments and/or its licensors do not warrant that this design will meet the specifications, will be suitable for your application or fit for any particular purpose, or will operate in an implementation. Texas Instruments and/or its licensors do not warrant that the design is production worthy. You should completely validate and test your design implementation to confirm the system functionality for your application.

Orderable: N/A	Designed for: Public Release	Mod. Date: 5/18/2016
TID #: 00835	Project Title: ADS131 A04_AFE	
Number: TIDA-00835	Rev: E2	Sheet Title: ADC2
SVN Rev: Not in version control	Assembly Variant: 001	Sheet: 8 of 10
Drawn By: Sreenivasa	File: TIDA-00835_ADC2.SchDoc	Size: B
Engineer: Sreenivasa	Contact: http://www.ti.com/support	





Texas Instruments and/or its licensors do not warrant the accuracy or completeness of this specification or any information contained therein. Texas Instruments and/or its licensors do not warrant that this design will meet the specifications, will be suitable for your application or fit for any particular purpose, or will operate in an implementation. Texas Instruments and/or its licensors do not warrant that the design is production worthy. You should completely validate and test your design implementation to confirm the system functionality for your application.

Orderable: N/A	Designed for: Public Release	Mod. Date: 4/20/2016
TID #: 00835	Project Title: ADS131 A04_AFE	
Number: TIDA-00835	Rev: E2	Sheet Title: Buffer
SVN Rev: Not in version control	Assembly Variant: 001	Sheet: 9 of 10
Drawn By: Sreenivasa	File: TIDA-00835_Buffer.SchDoc	Size: B
Engineer: Sreenivasa	Contact: http://www.ti.com/support	



H1 NY PMS 440 0025 PH
 H2 NY PMS 440 0025 PH
 H3 NY PMS 440 0025 PH
 H4 NY PMS 440 0025 PH

H5 1902C
 H6 1902C
 H7 1902C
 H8 1902C

~~FID1~~ ~~FID2~~ ~~FID3~~ FID4 FID5 FID6

PCB Number: TIDA-00835
 PCB Rev: E2

PCB LOGO
 Pb-Free

PCB LOGO
 Pb-Free Symbol



You should delete the nylon screws/standoffs and/or the bumpons as needed for your design (or substitute other parts from Hardware.IntLib). Bumpons are cheaper, but provide less clearance.

Deleting anything else from this page may result in your EVM submission being rejected (until you add them back).

Update the Label Text in the Label Table as needed for each Assembly Variant.

You should delete this note too.

Variant/Label Table	
Variant	Label Text
001	ChangeMe!
002	ChangeMe!

LBL1
 PCB Label
 Size: 0.65" x 0.20"

ZZ1
 Label Assembly Note
 This Assembly Note is for PCB labels only

ZZ2
 Assembly Note
 These assemblies are ESD sensitive, ESD precautions shall be observed.

ZZ3
 Assembly Note
 These assemblies must be clean and free from flux and all contaminants. Use of no clean flux is not acceptable.

ZZ4
 Assembly Note
 These assemblies must comply with workmanship standards IPC-A-610 Class 2, unless otherwise specified.

Orderable: N/A	Designed for: Public Release	Mod. Date: 7/5/2016
TID #: 00835	Project Title: ADS131 A04_AFE	
Number: TIDA-00835	Rev: E2	Sheet Title: EVM_Hardware
SVN Rev: Not in version control	Assembly Variant: 001	Sheet: 10 of 10
Drawn By: Sreenivasa	File: TIDA-00835_EVM_Hardware.SchDoc	Size: B
Engineer: Sreenivasa	Contact: http://www.ti.com/support	

Texas Instruments and/or its licensors do not warrant the accuracy or completeness of this specification or any information contained therein. Texas Instruments and/or its licensors do not warrant that this design will meet the specifications, will be suitable for your application or fit for any particular purpose, or will operate in an implementation. Texas Instruments and/or its licensors do not warrant that the design is production worthy. You should completely validate and test your design implementation to confirm the system functionality for your application.



IMPORTANT NOTICE AND DISCLAIMER

TI PROVIDES TECHNICAL AND RELIABILITY DATA (INCLUDING DATASHEETS), DESIGN RESOURCES (INCLUDING REFERENCE DESIGNS), APPLICATION OR OTHER DESIGN ADVICE, WEB TOOLS, SAFETY INFORMATION, AND OTHER RESOURCES "AS IS" AND WITH ALL FAULTS, AND DISCLAIMS ALL WARRANTIES, EXPRESS AND IMPLIED, INCLUDING WITHOUT LIMITATION ANY IMPLIED WARRANTIES OF MERCHANTABILITY, FITNESS FOR A PARTICULAR PURPOSE OR NON-INFRINGEMENT OF THIRD PARTY INTELLECTUAL PROPERTY RIGHTS.

These resources are intended for skilled developers designing with TI products. You are solely responsible for (1) selecting the appropriate TI products for your application, (2) designing, validating and testing your application, and (3) ensuring your application meets applicable standards, and any other safety, security, or other requirements. These resources are subject to change without notice. TI grants you permission to use these resources only for development of an application that uses the TI products described in the resource. Other reproduction and display of these resources is prohibited. No license is granted to any other TI intellectual property right or to any third party intellectual property right. TI disclaims responsibility for, and you will fully indemnify TI and its representatives against, any claims, damages, costs, losses, and liabilities arising out of your use of these resources.

TI's products are provided subject to TI's Terms of Sale (www.ti.com/legal/termsofsale.html) or other applicable terms available either on ti.com or provided in conjunction with such TI products. TI's provision of these resources does not expand or otherwise alter TI's applicable warranties or warranty disclaimers for TI products.

Mailing Address: Texas Instruments, Post Office Box 655303, Dallas, Texas 75265
Copyright © 2018, Texas Instruments Incorporated