

# Extending the SPI bus for long-distance communication

**Thomas Kugelstadt**

Senior Applications Engineer

The serial peripheral interface (SPI) bus is an unbalanced or single-ended serial interface designed for short-distance communication between integrated circuits.

Typically, a master device exchanges data with one or multiple slave devices. The data exchange is full-duplex and requires synchronization to an interface clock signal. However, recent trends in the design of industrial data-acquisition systems have not taken this synchronization requirement into account, and distances between the microcontroller and the corresponding analog-to-digital and digital-to-analog converters (ADCs and DACs) can reach 100 m or more.

The impact of the added propagation delay on the data-to-clock synchronicity is often ignored, and interface designs that operate perfectly in the lab environment cease operation when implemented on the factory floor. There can be multiple reasons for the interface malfunction. This article tries to shed light on the major ones, including:

- Lack of synchronization due to large propagation delays of the signal path
- Reduced noise immunity due to long-distance, unbalanced signal paths
- Damaged transceivers due to large ground-potential differences (GPDs)
- Data transmission errors due to unterminated data lines
- Transceiver latch-up and network downtime due to large electrical transients

## Synchronicity

An SPI primarily uses three interface lines:

- An interface clock initiated by the master device to ensure synchronous data transfers
- A data line for data sent from the master to a slave
- A data line for data sent from a slave to the master

A fourth wire that carries what is known as the slave-select signal is not required for controlling interface flow but is needed for addressing a specific slave out of a range of slave devices. **Figure 1(a)** shows a simplified schematic of a microcontroller unit (MCU) operating as the master that controls two data converters representing the slaves.

With byte lengths ranging from 8 to 12 bits and multiples, thereof, and data rates ranging from 1 to 20 Mbps, the standard SPI configuration allows for short propagation times and hence only short distances in order to maintain synchronicity between the interface clock and the data transmitted in both directions. **Figure 1(b)** shows the inter- face timing of the first three data bits when the SPI is configured to change data at the rising clock edge and to sample data at the falling clock edge.

Over long distances, however, the transmission cable introduces significant propagation delay into the signal path. Assuming a typical signal velocity of 5 ns/m, a 100-m cable will cause a propagation delay of 500 ns. Because the data sent from the master to the slave experiences the same delay as the master-initiated interface clock, both will remain in sync across the entire data link. In the opposite direction, however, the slave sends data to the master only when the first clock edge reaches the slave. Furthermore, this data will experience a second delay on its way back to the master, so the slave data will be out of sync by twice the cable's propagation delay.

Of course, communicating across a 100-m cable won't be possible without appropriate line drivers and receivers. These components will further increase the propagation delay by about another 50 ns, for a total of 550 ns. The slave data will therefore lag behind the first clock edge by a total of 1100 ns, or 11 bits when a data rate of 10 Mbps is assumed.

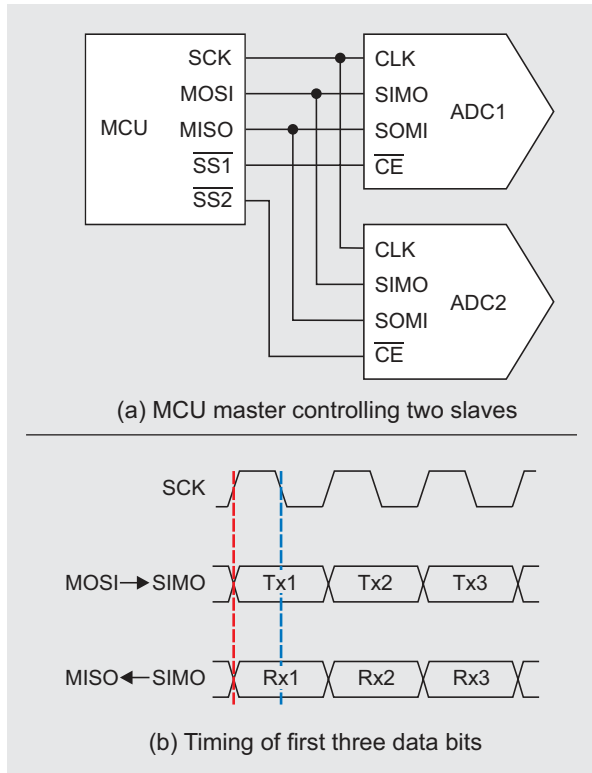


Figure 1. Simplified schematic of an SPI.

The only possible solution for restoring synchronicity between the slave data and the interface clock while maintaining a high data rate is to feed the clock signal from the slave back to the master. Figure 2 clarifies the benefit of clock feedback. Here to represents the first rising clock edge, or the start of a data transmission, and  $t_p$  is the data-link propagation delay. After traversing the data link, both the master clock ( $SCK_M$ ) and the master data (MOSI) remain in sync. Feeding back the master clock signal synchronizes the clock with the slave data so that both arrive equally delayed at the

master. The only requirement is that the master provide two independent SPI ports, one configured as a master (SPI1) and the other configured as a slave (SPI2). Most modern microcontrollers possess two or more SPI ports, so this requirement poses no problem.

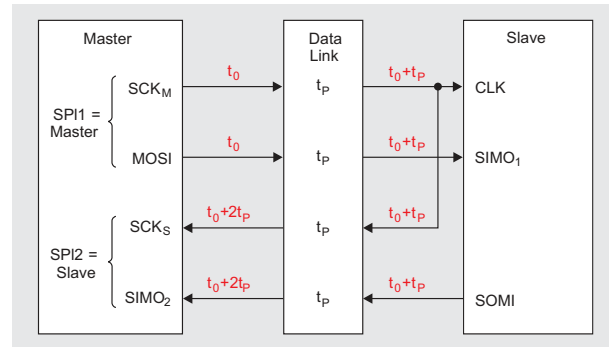


Figure 2. Clock-feedback path restores synchronicity.

Nevertheless, implementing a long-distance, SPI-compatible interface in the real world is not a trivial task. Long-distance data links are always subject to external noise sources, ground-potential differences (GPDs), voltage and current surges due to inductive load switching, and often even reflections due to wrong or no termination. The following schematic in Figure 3 tries to cover all of these aspects by showcasing the various transceiver and protection circuits that can counteract the derogating effects.

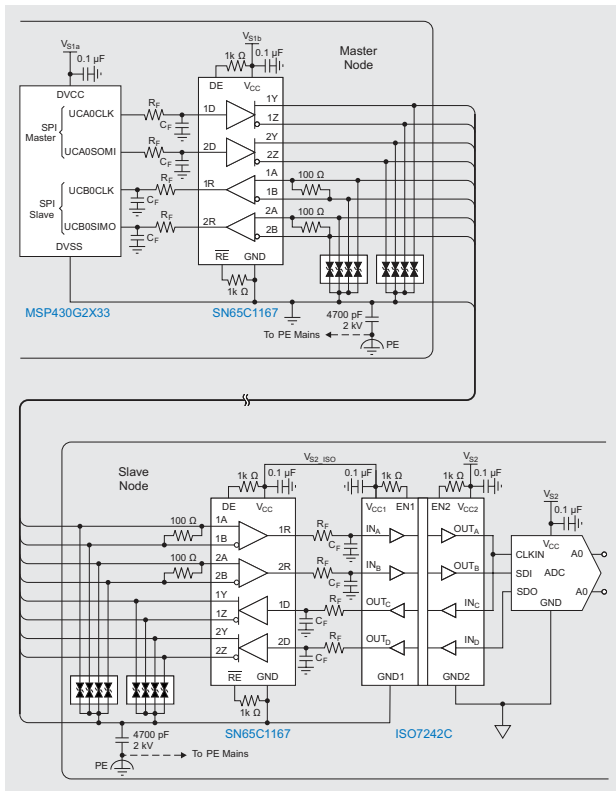


Figure 3. SPI extended via RS-422 data link.

### Increasing noise immunity

Unbalanced or single-ended drivers and receivers are inadequate for accomplishing a robust data link over long distances, as they are susceptible to common-mode noise. An excellent method to eliminate common-mode noise in a synchronous, full-duplex interface such as an SPI is the use of RS-422 differential driver and receiver circuits in combination with twisted-pair cable.

Because the conductors of twisted-pair cable are closely electrically coupled, external noise induced equally into both conductors appears as common-mode noise at the receiver input. Although differential receivers are sensitive to signal differences, they are immune to common-mode signals. The receiver therefore rejects common-mode noise, and signal integrity is maintained.

Another benefit of close electric coupling is that the currents in the two conductors create magnetic fields that cancel each other. The initial transversal electromagnetic (TEM) waves of the two conductors are

therefore largely reduced to electric fields that cannot radiate into the environment (see Figure 4). Only the far smaller fringing fields outside the conductor loop can radiate, thus yielding much lower electromagnetic interference (EMI).

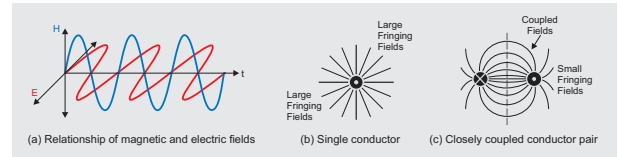


Figure 4. TEM-wave radiation effects

### Eliminating ground loops and GPDs

While the RS-485 and RS-422 standards specify that a data link without a ground wire can be operated with a GPD of up to  $\pm 7$  V, it is advisable not to assume that these values represent the maximum GPD. Much higher values are often encountered in industrial plants, sometimes reaching several hundreds and even thousands of volts. Because GPDs largely depend on factors outside the system designer's control, such as the electric installation and/or the number of electric motors and generators, the most secure way to prevent transceiver damage from large ground-potential variations is to galvanically isolate any remote network node from the bus. The circuit in Figure 3 demonstrates this by having only the remote transceiver connected to the bus, while the data-converter circuit is galvanically isolated.

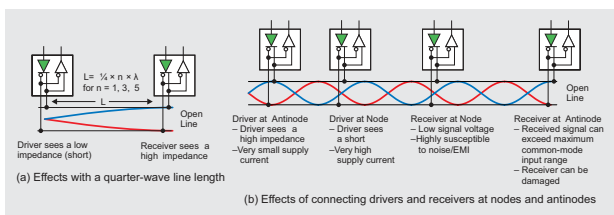
Also, to provide the input and output signals of the remote transceiver with a stable ground reference, the transceiver's ground terminal as well as the digital isolator's ground terminal (GND1) are connected to the master ground potential via a separate ground conductor. This form of grounding is known as a single ground reference.

### Avoiding antennas through line termination

The data link in Figure 3 is terminated with 100- $\Omega$  resistors, as suggested by the RS-422 standard, matching the characteristic impedance of the bus cable.

A myth exists that bus cables of a few meters in length or data links operating at low data rates don't need termination. Don't believe it. Operating the bus without termination can turn the transmission line into a nasty receiver/transmitter antenna. The lack of termination resistors, which usually absorb the incident wave power sent by the driver, causes standing waves to occur; and the entire incident wave is reflected into the bus. The reflected waves mix with other incident waves, thus yielding standing waves for signal frequencies whose quarter wavelengths, or multiples thereof, equal the length of the data link.

Depending on their location, the wave nodes (minima) and antinodes (maxima) can have varying effects on the bus transceivers (see [Figure 5](#)). A driver close to an anti-node sees a high impedance and therefore transfers insufficient energy to the bus. A driver close to a node sees a very low impedance or a short. The resulting output current can exceed the driver's maximum drive capability and even trigger its current limit at around 250 mA. Receivers located at antinodes can be damaged by excessively large input signals that exceed the receiver's common-mode input range. Receivers close to nodes experience insufficient signal strength and are highly susceptible to noise and EMI. Any of the foregoing events will result in data errors from either the transmission or the reception of wrong data.



**Figure 5.** Effects of an unterminated bus.

## Protecting the network against damaging transients

Electrical overstress transients caused by electrostatic discharge (ESD), switching of inductive loads, or lightning strikes will corrupt data transmission and damage bus transceivers unless effective measures are taken

to diminish their impact. Modern transient-voltage suppressors, such as the ones in [Figure 3](#), are the preferred protection components for high-speed data transmission due to their low capacitance, which allows them to be designed into every node of a multinode network without requiring a reduction in data rate.

Depending on the power rating of the transient-voltage suppressor chosen, the maximum clamp voltages can range from 25 to 35 V, which is higher than a standard transceiver's maximum bus voltage of 14 V. In this case, the internal protection circuit of the transceiver must absorb the remaining clamp energy to protect the device from damage.

For ESD and burst transients, the clamp energy is rather low due to the short pulse duration and does not pose a problem to the internal ESD cells. Clamp energy from surge transients, however, can present a serious challenge due to the much longer pulse duration. For transceivers specified with low ESD immunity, series resistors might be necessary to reduce the remaining current flowing into the transceiver. Common resistor values range from 5 to 10  $\Omega$ . Note that these resistors must be surge-rated to provide high pulse robustness.

Although the transient-voltage suppressor's diodes divert large transient currents to ground, it must be ensured that these currents are further diverted to true earth potential without disturbing the ground reference of the remaining circuitry. Often this is accomplished by implementing a high-voltage capacitor that has one plate connected to ground and the other plate connected to a protective-earth (PE) island. This island is then connected via a short, low-inductance earthing wire to the PE terminal of the local mains supply.

In addition to the suppressor's action on the bus side, further protection against signal degradation is required on the transceiver's single-ended sides. This is accomplished with R-C low-pass filters, which filter transient remnants in the reception path and stop high-frequency noise from entering the transmission path.

## Related Websites

- [interface.ti.com](http://interface.ti.com)
- [www.ti.com/product/ISO7242C](http://www.ti.com/product/ISO7242C)

**Important Notice:** The products and services of Texas Instruments Incorporated and its subsidiaries described herein are sold subject to TI's standard terms and conditions of sale. Customers are advised to obtain the most current and complete information about TI products and services before placing orders. TI assumes no liability for applications assistance, customer's applications or product designs, software performance, or infringement of patents. The publication of information regarding any other company's products or services does not constitute TI's approval, warranty or endorsement thereof.

All trademarks are the property of their respective owners.

## IMPORTANT NOTICE AND DISCLAIMER

TI PROVIDES TECHNICAL AND RELIABILITY DATA (INCLUDING DATASHEETS), DESIGN RESOURCES (INCLUDING REFERENCE DESIGNS), APPLICATION OR OTHER DESIGN ADVICE, WEB TOOLS, SAFETY INFORMATION, AND OTHER RESOURCES "AS IS" AND WITH ALL FAULTS, AND DISCLAIMS ALL WARRANTIES, EXPRESS AND IMPLIED, INCLUDING WITHOUT LIMITATION ANY IMPLIED WARRANTIES OF MERCHANTABILITY, FITNESS FOR A PARTICULAR PURPOSE OR NON-INFRINGEMENT OF THIRD PARTY INTELLECTUAL PROPERTY RIGHTS.

These resources are intended for skilled developers designing with TI products. You are solely responsible for (1) selecting the appropriate TI products for your application, (2) designing, validating and testing your application, and (3) ensuring your application meets applicable standards, and any other safety, security, regulatory or other requirements.

These resources are subject to change without notice. TI grants you permission to use these resources only for development of an application that uses the TI products described in the resource. Other reproduction and display of these resources is prohibited. No license is granted to any other TI intellectual property right or to any third party intellectual property right. TI disclaims responsibility for, and you fully indemnify TI and its representatives against any claims, damages, costs, losses, and liabilities arising out of your use of these resources.

TI's products are provided subject to [TI's Terms of Sale](#), [TI's General Quality Guidelines](#), or other applicable terms available either on [ti.com](#) or provided in conjunction with such TI products. TI's provision of these resources does not expand or otherwise alter TI's applicable warranties or warranty disclaimers for TI products. Unless TI explicitly designates a product as custom or customer-specified, TI products are standard, catalog, general purpose devices.

TI objects to and rejects any additional or different terms you may propose.

Copyright © 2025, Texas Instruments Incorporated

Last updated 10/2025