

# TPSI2240-Q1 1200V, 50mA, Automotive Reinforced Solid-State Relay With Avalanche Protection

## 1 Features

- Qualified for automotive applications
  - AEC-Q100 grade 1: –40 to 125°C T<sub>A</sub>
- Low EMI:
  - Meets CISPR25 class 5 performance with no additional components
- Integrated avalanche rated MOSFETs
  - Designed and qualified for reliability for dielectric withstand testing (Hi-Pot)
    - TPSI2240-Q1 I<sub>AVA</sub> = 1mA for 60s pulses
    - TPSI2240C-Q1 I<sub>AVA</sub> = 0.6mA for 60s pulses
    - TPSI2240T-Q1 I<sub>AVA</sub> = 3mA for 60s pulses
  - 1200V standoff voltage
  - R<sub>ON</sub> = 130Ω (T<sub>J</sub> = 25°C)
  - T<sub>ON</sub>, T<sub>OFF</sub> < 700μs
  - I<sub>OFF</sub> = 1.22μA at 1000V (T<sub>J</sub> = 105°C)
- Low primary side supply current
  - 3.5μA OFF state current (T<sub>J</sub> = 25°C)
- [Functional Safety Capable](#)
  - [Documentation available](#) to aid in ISO 26262 and IEC 61508 system design
- Robust isolation barrier:
  - > 30 year projected lifetime at 1500V<sub>RMS</sub> / 2120V<sub>DC</sub> working voltage
  - Reinforced Isolation rating, V<sub>ISO</sub>, up to 4750V<sub>RMS</sub>
- SOIC 11-pin (DWQ) package with wide pins for improved thermal performance
  - Creepage and clearance ≥ 8mm (primary-secondary)
  - Creepage and clearance ≥ 6mm (across switch terminals)
- [Safety-related certifications](#)
  - (Planned) DIN EN IEC 60747-17 (VDE 0884-17)
  - (Planned) UL 1577 component recognition program

## 2 Applications

- [Solid state relay](#)
- [Hybrid, electric, and power train systems](#)
- [Battery Management Systems \(BMS\)](#)
- [Energy Storage Systems \(ESS\)](#)

- [Solar energy](#)
- [Onboard charger](#)
- [EV charging infrastructure](#)
- See also the [TI Reference Designs](#) related to these applications.

## 3 Description

The TPSI2240-Q1 is an isolated solid state relay designed for high voltage automotive and industrial applications. The TPSI2240-Q1 uses TI's high reliability capacitive reinforced isolation technology in combination with internal back-to-back MOSFETs to form an integrated solution requiring no secondary side power supply.

The primary side of the device is powered by only 5mA of input current and incorporates a fail-safe EN pin preventing any possibility of back powering the VDD supply. In most applications, the VDD pin of the device should be connected to a system supply between 4.5V – 20V and the EN pin of the device should be driven by a GPIO output with logic HI between 2.1V – 20V. In other applications, the VDD and EN pins could be driven together directly from the system supply or from a GPIO output. All control configurations of the TPSI2240-Q1 do not require additional external components such as a resistor and/or low side switch that are typically required in photo relay solutions.

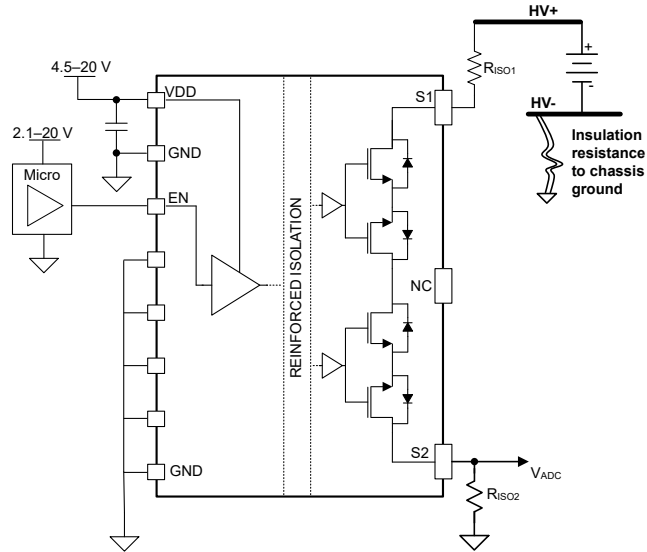
The secondary side consists of back-to-back MOSFETs with a standoff voltage of ±1.2kV from S1 to S2. The TPSI2240-Q1 MOSFET's avalanche robustness and thermally conscious package design, allow it to robustly support system level dielectric withstand testing (HiPot) and DC fast charger surge currents of up to 1mA (0.6mA for TPSI2240C-Q1 and 3mA for TPSI2240T-Q1) without requiring any external components.

### Package Information

| PART NUMBER | PACKAGE <sup>(1)</sup> | BODY SIZE (NOM) |
|-------------|------------------------|-----------------|
| TPSI2240-Q1 | DWQ (SOIC 11 pin)      | 10.3mm × 7.5mm  |

(1) For all available packages, see the orderable addendum at the end of the data sheet.





**TPSI2240-Q1 Simplified Application Schematic**

## Table of Contents

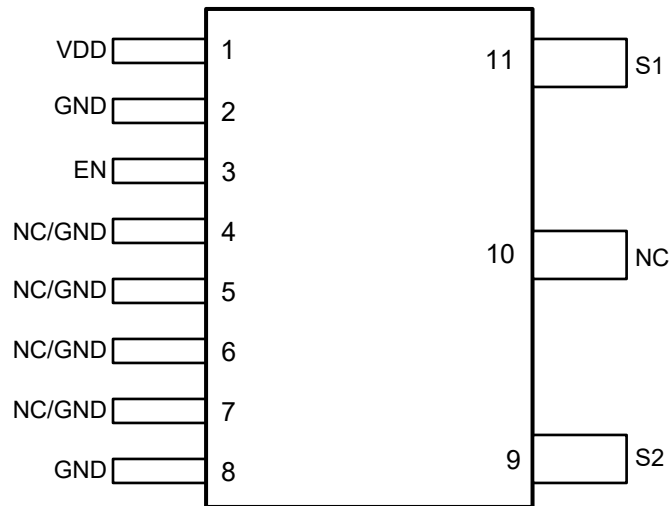
|  |           |  |           |
|--|-----------|--|-----------|
| <b>1 Features</b> .....                          | <b>1</b>  | <b>8.1 Overview</b> .....  | <b>17</b> |
| <b>2 Applications</b> .....                      | <b>1</b>  | <b>8.2 Functional Block Diagram</b> .....                        | <b>17</b> |
| <b>3 Description</b> .....                       | <b>1</b>  | <b>8.3 Feature Description</b> .....                             | <b>18</b> |
| <b>4 Device Comparison</b> .....                 | <b>4</b>  | <b>8.4 Device Functional Modes</b> .....                         | <b>19</b> |
| <b>5 Pin Configuration and Functions</b> .....   | <b>5</b>  | <b>9 Application and Implementation</b> .....                    | <b>20</b> |
| <b>6 Specifications</b> .....                    | <b>6</b>  | <b>9.1 Application Information</b> .....                         | <b>20</b> |
| 6.1 Absolute Maximum Ratings.....                | 6         | <b>9.2 Typical Application</b> .....                             | 20        |
| 6.2 ESD Ratings.....                             | 6         | <b>9.3 Power Supply Recommendations</b> .....                    | 27        |
| 6.3 Recommended Operating Conditions.....        | 7         | <b>9.4 Layout</b> .....  | 27        |
| 6.4 Thermal Information.....                     | 7         | <b>10 Device and Documentation Support</b> .....                 | <b>29</b> |
| 6.5 Power Ratings.....                           | 7         | <b>10.1 Third-Party Products Disclaimer</b> .....                | 29        |
| 6.6 Insulation Specifications.....               | 8         | <b>10.2 Receiving Notification of Documentation Updates</b> ..   | 29        |
| 6.7 Safety-Related Certifications.....           | 10        | <b>10.3 Support Resources</b> .....                              | 29        |
| 6.8 Safety Limiting Values.....                  | 10        | <b>10.4 Trademarks</b> .....                                     | 29        |
| 6.9 Electrical Characteristics.....              | 11        | <b>10.5 Electrostatic Discharge Caution</b> .....                | 29        |
| 6.10 Switching Characteristics.....              | 13        | <b>10.6 Glossary</b> .....                                       | 29        |
| 6.11 Typical Characteristics.....                | 14        | <b>11 Revision History</b> .....                                 | <b>29</b> |
| <b>7 Parameter Measurement Information</b> ..... | <b>16</b> | <b>12 Mechanical, Packaging, and Orderable Information</b> ..... | <b>30</b> |
| <b>8 Detailed Description</b> .....              | <b>17</b> |  |           |

## 4 Device Comparison

**Table 4-1. Device Comparison**

| DEVICE NAME  | AVALANCHE PROTECTION MODE     | MAXIMUM AVALANCHE CURRENT (60s) |
|--------------|-------------------------------|---------------------------------|
| TPSI2240-Q1  | Standard Avalanche Protection | 1.0mA                           |
| TPSI2240C-Q1 | Standard Avalanche Protection | 0.6mA                           |
| TPSI2240T-Q1 | Thermal Avalanche Protection  | 3.0mA                           |

## 5 Pin Configuration and Functions



**Figure 5-1. TPSI2240-Q1 DWQ Package, 11-Pin SOIC (Top View)**

**Table 5-1. Pin Functions**

| PIN |        | TYPE <sup>(1)</sup> | DESCRIPTION   |
|-----|--------|---------------------|---|
| NO. | NAME   |                     |   |
| 1   | VDD    | P                   | Power supply for primary side   |
| 2   | GND    | GND                 | Ground supply for primary side  |
| 3   | EN     | I                   | Active high switch enable signal  |
| 4   | NC/GND | NC/GND              | Internally connected, connect externally to ground or leave floating        |
| 5   | NC/GND | NC/GND              | Internally connected, connect externally to ground or leave floating        |
| 6   | NC/GND | NC/GND              | Internally connected, connect externally to ground or leave floating        |
| 7   | NC/GND | NC/GND              | Internally connected, connect externally to ground or leave floating        |
| 8   | GND    | GND                 | Internally connected to GND, connect externally to ground or leave floating |
| 9   | S2     | I/O                 | Switch input  |
| 10  | NC     | NC                  | No connect  |
| 11  | S1     | I/O                 | Switch input  |

(1) P = power, I = input, O = output, GND = ground, NC = no connect

## 6 Specifications

### 6.1 Absolute Maximum Ratings

over operating free-air temperature range (unless otherwise noted)<sup>(1)</sup>

| PARAMETER              |  | MIN  | MAX  | UNIT |
|------------------------|--|------|------|------|
| V <sub>VDD</sub>       | Primary side supply voltage <sup>(2)</sup>                                   | −0.3 | 20.7 | V    |
| V <sub>EN</sub>        | Enable voltage <sup>(2)</sup>  | −0.3 | 20.7 | V    |
| I <sub>S1,S2</sub>     | Switch current, S1/S2  | −55  | 55   | mA   |
| I <sub>AVA,S1,S2</sub> | Repetitive avalanche rating, 60s pulse, TPSI2240C, S1/S2 <sup>(3)</sup>      | −0.6 | 0.6  | mA   |
| I <sub>AVA,S1,S2</sub> | Repetitive avalanche rating, 60s pulse, TPSI2240, S1/S2 <sup>(3)</sup>       | −1   | 1    | mA   |
| I <sub>AVA,S1,S2</sub> | Repetitive avalanche rating, 60s pulse, TPSI2240T, TAP, S1/S2 <sup>(3)</sup> | −3   | 3    | mA   |
| T <sub>J</sub>         | Junction temperature   | −40  | 150  | °C   |
| T <sub>stg</sub>       | Storage temperature  | −65  | 150  | °C   |

- (1) Operation outside the Absolute Maximum Ratings may cause permanent device damage. Absolute Maximum Ratings do not imply functional operation of the device at these or any other conditions beyond those listed under Recommended Operating Conditions. If used outside the Recommended Operating Conditions but within the Absolute Maximum Ratings, the device may not be fully functional, and this may affect device reliability, functionality, performance, and shorten the device lifetime.
- (2) Voltage values are with respect to GND.
- (3) 5 minutes accumulated over lifetime in increments of no longer than 60 second periods, duty cycle < 10%, TAP Mode

### 6.2 ESD Ratings

|                     |                         |  | VALUE                        | UNIT  |   |
|---------------------|-------------------------|--|------------------------------|-------|---|
| HBM <sub>Prim</sub> | Electrostatic discharge | Human body model (HBM), per AEC Q100-002 <sup>(1)</sup> HBM ESD Classification Level 2 | Primary Side Pins No. 1-8    | ±2000 | V |
| HBM <sub>Sec</sub>  |                         | Human body model (HBM), per AEC Q100-002 <sup>(1)</sup> HBM ESD Classification Level 2 | Secondary Side Pins No. 9-11 | ±2000 | V |
| CDM                 | Electrostatic discharge | Charged device model (CDM), per AEC Q100-011 CDM ESD Classification Level C4           | All pins                     | ±750  | V |

- (1) AEC Q100-002 indicates that HBM stressing must be in accordance with the ANSI/ESDA/JEDEC JS-001 specification.

### 6.3 Recommended Operating Conditions

over operating free-air temperature range (unless otherwise noted)

| PARAMETER          |  | MIN   | NOM | MAX  | UNIT |
|--------------------|--|-------|-----|------|------|
| V <sub>VDD</sub>   | Primary side supply voltage <sup>(1)</sup> | 4.5   |     | 20   | V    |
| V <sub>EN</sub>    | Enable voltage <sup>(1)</sup>              | 0     |     | 20   | V    |
| V <sub>S2-S1</sub> | Switch input voltage                       | -1200 |     | 1200 | V    |
| I <sub>S1,S2</sub> | Switch current                             | -50   |     | 50   | mA   |
| T <sub>A</sub>     | Ambient operating temperature              | -40   |     | 125  | °C   |
| T <sub>J</sub>     | Junction operating temperature             | -40   |     | 150  | °C   |

(1) Voltage values are with respect to GND.

### 6.4 Thermal Information

| THERMAL METRIC <sup>(1)</sup> |  | DEVICE     | UNIT |
|-------------------------------|--|------------|------|
|                               |  | DWQ (SOIC) |      |
|                               |  | 11 PINS    |      |
| R <sub>θJA</sub>              | Junction-to-ambient thermal resistance       | 85.7       | °C/W |
| R <sub>θJC(top)</sub>         | Junction-to-case (top) thermal resistance    | 32.8       | °C/W |
| R <sub>θJB</sub>              | Junction-to-board thermal resistance         | 41.3       | °C/W |
| Ψ <sub>JB</sub>               | Junction-to-board characterization parameter | 40.4       | °C/W |
| Ψ <sub>JT</sub>               | Junction-to-top characterization parameter   | 18.3       | °C/W |

(1) For more information about traditional and new thermal metrics, see the [Semiconductor and IC Package Thermal Metrics](#) application report.

### 6.5 Power Ratings

| PARAMETER        |                                       | TEST CONDITIONS  | MIN | TYP | MAX | UNIT |
|------------------|---------------------------------------|--|-----|-----|-----|------|
| P <sub>D</sub>   | Maximum power dissipation, total      | V <sub>VDD</sub> = 5 V,<br>V <sub>EN</sub> = 5 V peak to peak,<br>V <sub>S1-S2</sub> = 1200V, R <sub>S1</sub> = 500kΩ<br>f <sub>EN</sub> = 1Hz square wave |     |     | 31  | mW   |
| P <sub>D_P</sub> | Maximum power dissipation (primary)   |  |     |     | 30  | mW   |
| P <sub>D_S</sub> | Maximum power dissipation (secondary) |  |     |     | 1   | mW   |

## 6.6 Insulation Specifications

| PARAMETER   |   | TEST CONDITIONS  | VALUE             | UNIT             |
|---|---|--|-------------------|------------------|
| <b>IEC 60664-1</b>  |   |  |                   |                  |
| CLR   | External clearance <sup>(1)</sup>                     | Shortest terminal-to-terminal distance through air   | >8                | mm               |
| CPG   | External Creepage <sup>(1)</sup>                      | Shortest terminal-to-terminal distance across the package surface  | >8                | mm               |
| DTI   | Distance through the insulation                       | Minimum internal gap (internal clearance)  | >15.4             | μm               |
| CTI   | Comparative tracking index                            | DIN EN 60112 (VDE 0303-11); IEC 60112  | >600              | V                |
|   | Material Group  | According to IEC 60664-1   | I                 |                  |
|   | Overvoltage category per IEC 60664-1                  | Rated mains voltage ≤ 300 V <sub>RMS</sub>   | I-IV              |                  |
|   |   | Rated mains voltage ≤ 600 V <sub>RMS</sub>   | I-III             |                  |
|   |   | Rated mains voltage ≤ 1000 V <sub>RMS</sub>  | I-II              |                  |
| <b>DIN V VDE 0884-11:2017-01<sup>(2)</sup>, IEC 60747-17:2020</b> |   |  |                   |                  |
| V <sub>IORM</sub>   | Maximum repetitive peak isolation voltage             | AC voltage (bipolar)   | 2120              | V <sub>PK</sub>  |
| V <sub>IOWM</sub>   | Maximum isolation working voltage                     | AC voltage (sine wave)   | 1000              | V <sub>RMS</sub> |
|   |   | DC voltage   | 2120              | V <sub>DC</sub>  |
| V <sub>IOTM</sub>   | Maximum transient isolation voltage                   | V <sub>TEST</sub> = V <sub>IOTM</sub> , t = 60 s (qualification)   | 6715              | V <sub>PK</sub>  |
|   |   | V <sub>TEST</sub> = 1.2 × V <sub>IOTM</sub> , t = 1 s (100% production)  | 8059              | V <sub>PK</sub>  |
| V <sub>IMP</sub>  | Maximum Impulse voltage <sup>(6)</sup>                | Tested in air per IEC 62638-1, 1.2/50 μs waveform,   | 7690              | V <sub>PK</sub>  |
| V <sub>IOSM</sub>   | Maximum surge isolation voltage <sup>(3)</sup>        | Tested in oil per IEC 62638-1, 1.2/50 μs waveform, V <sub>TEST</sub> = 1.3 × V <sub>IOSM</sub> (qualification)   | 10000             | V <sub>PK</sub>  |
| q <sub>pd</sub>   | Apparent charge <sup>(4)</sup>                        | Method a: After I/O safety test subgroup 2/3, V <sub>ini</sub> = V <sub>IOTM</sub> , t <sub>ini</sub> = 60 s; V <sub>pd(m)</sub> = 1.2 × V <sub>IORM</sub> , t <sub>m</sub> = 10 s                                 | ≤5                | pC               |
|   |   | Method a: After environmental tests subgroup 1, V <sub>ini</sub> = V <sub>IOTM</sub> , t <sub>ini</sub> = 60 s; V <sub>pd(m)</sub> = 1.6 × V <sub>IORM</sub> , t <sub>m</sub> = 10 s                               | ≤5                |                  |
|   |   | Method b1: At routine test (100% production) and preconditioning (type test), V <sub>ini</sub> = V <sub>IOTM</sub> , t <sub>ini</sub> = 1 s; V <sub>pd(m)</sub> = 1.875 × V <sub>IORM</sub> , t <sub>m</sub> = 1 s | ≤5                |                  |
| C <sub>IO</sub>   | Barrier capacitance, input to output <sup>(5)</sup>   | V <sub>IO</sub> = 0.4 × sin(2πft), f = 1 MHz   | 1.6               | pF               |
| R <sub>IO</sub>   | Insulation resistance, input to output <sup>(5)</sup> | V <sub>IO</sub> = 500 V, T <sub>A</sub> = 25°C   | >10 <sup>12</sup> | Ω                |
|   |   | V <sub>IO</sub> = 500 V, 100°C ≤ T <sub>A</sub> ≤ 125°C  | >10 <sup>11</sup> |                  |
|   |   | V <sub>IO</sub> = 500 V at T <sub>S</sub> = 150°C  | >10 <sup>9</sup>  |                  |
|   | Pollution degree                                      |  | 2                 |                  |
|   | Climatic category                                     |  | 40/150/21         |                  |
| <b>UL 1577</b>  |   |  |                   |                  |
| V <sub>ISO</sub>  | Withstand isolation voltage                           | V <sub>TEST</sub> = V <sub>ISO</sub> , t = 60 s (qualification)<br>V <sub>TEST</sub> = 1.2 × V <sub>ISO</sub> , t = 1 s (100% production)  | 4750              | V <sub>RMS</sub> |
| <b>Misc.</b>  |   |  |                   |                  |
| V <sub>ISO</sub>  | Withstand isolation voltage                           |  | 6715              | V <sub>DC</sub>  |

- Creepage and clearance requirements should be applied according to the specific equipment isolation standards of an application. Care should be taken to maintain the creepage and clearance distance of a board design to ensure that the mounting pads of the isolator on the printed-circuit board do not reduce this distance. Creepage and clearance on a printed-circuit board become equal in certain cases. Techniques such as inserting grooves, ribs, or both on a printed-circuit board are used to help increase these specifications.
- This coupler is suitable for *safe electrical insulation* only within the safety ratings. Compliance with the safety ratings shall be ensured by means of suitable protective circuits.
- Testing is carried out in air or oil to determine the intrinsic surge immunity of the isolation barrier.
- Apparent charge is electrical discharge caused by a partial discharge (pd).
- All pins on each side of the barrier tied together creating a two-pin device.

- (6) Testing is carried out in air to determine the intrinsic surge immunity of the package.

## 6.7 Safety-Related Certifications

| VDE   | CSA                                 | UL   | CQC                                 | TUV                                 |
|---|-------------------------------------|--|-------------------------------------|-------------------------------------|
| Plan to certify according to DIN EN IEC 60747-17 (VDE 0884-17)  | Not Planned, contact TI to request. | Plan to certify according to UL 1577 Component Recognition Program | Not Planned, contact TI to request. | Not Planned, contact TI to request. |
| Reinforced insulation; Maximum transient isolation voltage, 6715 V <sub>PK</sub> ; Maximum repetitive peak isolation voltage, 2120 V <sub>PK</sub> ; Maximum surge isolation voltage, 10000 V <sub>PK</sub> |                                     | Single protection, 4750 V <sub>RMS</sub>                           |                                     |                                     |
| Certificate planned   |                                     | Certificate planned  |                                     |                                     |

## 6.8 Safety Limiting Values

| PARAMETER <sup>(1) (2)</sup> |  | TEST CONDITIONS   | MIN | TYP | MAX  | UNIT |
|------------------------------|--|---|-----|-----|------|------|
| I <sub>S</sub>               | Safety VDD Current                           | R <sub>θJA</sub> = 85.7°C/W, V <sub>VDD</sub> = 20 V, T <sub>J</sub> = 150°C, T <sub>A</sub> = 25°C                         |     |     | 72   | mA   |
|                              | Safety Switch Current (On State)             | R <sub>θJA</sub> = 85.7°C/W, V <sub>VDD</sub> = 20 V, T <sub>J</sub> = 150°C, T <sub>A</sub> = 25°C                         |     |     | 69   |      |
|                              | Safety Switch Current (Off State, 60 second) | R <sub>θJA, EVM, 60S</sub> <sup>(3)</sup> = 72.0°C/W, V <sub>VDD</sub> = 0 V, T <sub>J</sub> = 150°C, T <sub>A</sub> = 25°C |     |     | 1.12 |      |
| P <sub>S</sub>               | Safety input, output, or total power         | R <sub>θJA</sub> = 85.7°C/W, T <sub>J</sub> = 150°C, T <sub>A</sub> = 25°C.   |     |     | 1.46 | W    |
| T <sub>S</sub>               | Maximum safety temperature                   |   |     |     | 150  | °C   |

- (1) Safety limiting intends to minimize potential damage to the isolation barrier upon failure of input or output circuitry. A failure of the I/O can allow low resistance to ground or the supply and, without current limiting, dissipate sufficient power to overheat the die and damage the isolation barrier, potentially leading to secondary system failures.
- (2) The safety-limiting constraint is the maximum junction temperature specified in the data sheet. The power dissipation and junction-to-air thermal impedance of the device installed in the application hardware determines the junction temperature. The assumed junction-to-air thermal resistance in the [Thermal Information](#) table is that of a device installed on a high-K test board for leaded surface-mount packages. The power is the recommended maximum input voltage times the current. The junction temperature is then the ambient temperature plus the power times the junction-to-air thermal resistance.
- (3) Assuming PCB layout similar to EVM in Layout Guideline section

## 6.9 Electrical Characteristics

Unless otherwise noted, all minimum/maximum specifications are over recommended operating conditions. All typical values are measured at  $T_J = 25^\circ\text{C}$ ,  $V_{VDD} = 5\text{ V}$ ,  $V_{EN} = 5\text{ V}$ .

| PARAMETER                           |  | TEST CONDITIONS   | MIN  | TYP   | MAX  | UNIT          |
|-------------------------------------|--|---|------|-------|------|---------------|
| <b>PRIMARY SIDE SUPPLY (VDD)</b>    |  |   |      |       |      |               |
| $V_{UVLO\_R}$                       | VDD undervoltage threshold rising                          | VDD rising  | 4.1  | 4.3   | 4.5  | V             |
| $V_{UVLO\_F}$                       | VDD undervoltage threshold falling                         | VDD falling   | 4.0  | 4.2   | 4.45 | V             |
| $V_{UVLO\_HYS}$                     | VDD undervoltage threshold hysteresis                      |   | 25   | 75    |      | mV            |
| $I_{VDD\_ON}$                       | VDD current, device powered on                             | $T_J = 25^\circ\text{C}$  |      | 8.5   | 11   | mA            |
|                                     |  | $-40^\circ\text{C} \leq T_J \leq 150^\circ\text{C}$   |      | 8.5   | 12   | mA            |
| $I_{VDD\_OFF}$                      | VDD current, 5 V, device powered off                       | $V_{VDD} = 5\text{ V}, V_{EN} = 0\text{ V}, T_J = 25^\circ\text{C}$                             |      | 3.5   | 8    | $\mu\text{A}$ |
|                                     |  | $V_{VDD} = 5\text{ V}, V_{EN} = 0\text{ V}, T_J = 105^\circ\text{C}$                            |      | 6.3   | 11   | $\mu\text{A}$ |
|                                     |  | $V_{VDD} = 5\text{ V}, V_{EN} = 0\text{ V}, T_J = 125^\circ\text{C}$                            |      | 7.6   | 16   | $\mu\text{A}$ |
|                                     |  | $V_{VDD} = 5\text{ V}, V_{EN} = 0\text{ V}, -40^\circ\text{C} \leq T_J \leq 150^\circ\text{C}$  |      |       | 30   | $\mu\text{A}$ |
|                                     | VDD current, 20 V, device powered off                      | $V_{VDD} = 20\text{ V}, V_{EN} = 0\text{ V}, T_J = 25^\circ\text{C}$                            |      | 8     | 10.5 | $\mu\text{A}$ |
|                                     |  | $V_{VDD} = 20\text{ V}, V_{EN} = 0\text{ V}, T_J = 105^\circ\text{C}$                           |      | 13    | 17   |               |
|                                     |  | $V_{VDD} = 20\text{ V}, V_{EN} = 0\text{ V}, T_J = 125^\circ\text{C}$                           |      | 15    | 25   |               |
|                                     |  | $V_{VDD} = 20\text{ V}, V_{EN} = 0\text{ V}, -40^\circ\text{C} \leq T_J \leq 150^\circ\text{C}$ |      |       | 40   |               |
| <b>FET CHARACTERISTICS (S1, S2)</b> |  |   |      |       |      |               |
| $R_{DSON}$                          | On resistance  | $I_O = 2\text{ mA}, T_J = 25^\circ\text{C}$   |      | 130   | 175  | $\Omega$      |
|                                     |  | $I_O = 2\text{ mA}, T_J = 85^\circ\text{C}$   |      | 176   | 235  |               |
|                                     |  | $I_O = 2\text{ mA}, T_J = 105^\circ\text{C}$  |      | 192   | 250  |               |
|                                     |  | $I_O = 2\text{ mA}, T_J = 125^\circ\text{C}$  |      | 210   | 275  |               |
|                                     |  | $I_O = 2\text{ mA}, -40^\circ\text{C} \leq T_J \leq 150^\circ\text{C}$                          |      |       | 300  |               |
| $I_{OFF}$                           | Off leakage, 1200 V  | $V = \pm 1200\text{ V}, T_J = 25^\circ\text{C}$   |      | 0.058 | 0.25 | $\mu\text{A}$ |
|                                     |  | $V = \pm 1200\text{ V}, T_J = 85^\circ\text{C}$   |      |       | 0.5  |               |
|                                     |  | $V = \pm 1200\text{ V}, T_J = 105^\circ\text{C}$  |      |       | 1.5  |               |
|                                     |  | $V = \pm 1200\text{ V}, T_J = 125^\circ\text{C}$  |      |       | 7    |               |
|                                     |  | $V = \pm 1200\text{ V}, -40^\circ\text{C} \leq T_J \leq 150^\circ\text{C}$                      |      |       | 50   |               |
|                                     | Off leakage, 1000 V  | $V = \pm 1000\text{ V}, T_J = 25^\circ\text{C}$   |      | 0.055 | 0.25 | $\mu\text{A}$ |
|                                     |  | $V = \pm 1000\text{ V}, T_J = 85^\circ\text{C}$   |      |       | 0.43 |               |
|                                     |  | $V = \pm 1000\text{ V}, T_J = 105^\circ\text{C}$  |      |       | 1.22 |               |
|                                     |  | $V = \pm 1000\text{ V}, T_J = 125^\circ\text{C}$  |      |       | 5.75 |               |
|                                     |  | $V = \pm 1000\text{ V}, -40^\circ\text{C} \leq T_J \leq 150^\circ\text{C}$                      |      |       | 44   |               |
| $V_{AVA}$                           | Avalanche voltage  | $I_O = 10\text{ }\mu\text{A}, T_J = 25^\circ\text{C}$   | 1300 | 1550  |      | V             |
|                                     |  | $I_O = 100\text{ }\mu\text{A}, T_J = 150^\circ\text{C}$   | 1300 | 1550  |      |               |
| $C_{OSS}$                           | S1, S2 capacitance   | $V_{S1,S2} = 0\text{ V}$ , SM float, $F = 1\text{ MHz}$   |      | 71    |      | pF            |
| $T_{TAP1}$                          | Thermal Avalanche Protection threshold (TPSI2240T-Q1 only) | Assertion   | 160  |       |      | C             |
| $T_{TAP\_END}$                      | Thermal Avalanche Protection threshold (TPSI2240T-Q1 only) | De-assertion  | 85   |       | 125  | C             |
| <b>LOGIC-LEVEL INPUT (EN)</b>       |  |   |      |       |      |               |
| $V_{IL}$                            | Input logic low voltage                                    |   | 0.0  |       | 0.8  | V             |
| $V_{IH}$                            | Input logic high voltage                                   |   | 2.1  |       | 20.0 | V             |

## 6.9 Electrical Characteristics (continued)

Unless otherwise noted, all minimum/maximum specifications are over recommended operating conditions. All typical values are measured at  $T_J = 25^\circ\text{C}$ ,  $V_{DD} = 5\text{ V}$ ,  $V_{EN} = 5\text{ V}$ .

| PARAMETER             |                                | TEST CONDITIONS  | MIN   | TYP  | MAX  | UNIT          |
|-----------------------|--------------------------------|--|-------|------|------|---------------|
| $V_{HYS}$             | Input logic hysteresis         |  | 100   | 250  | 300  | mV            |
| $I_{IL}$              | Input logic low current        | $V_{EN} = 0\text{ V}$  | -0.1  |      | 0.1  | $\mu\text{A}$ |
|                       |                                | $V_{EN} = 0.8\text{ V}$  | 0.1   | 0.68 | 6.5  | $\mu\text{A}$ |
| $I_{IH}$              | Input logic high current       | $V_{EN} = 5\text{ V}$  | 1.5   | 4.4  | 15   | $\mu\text{A}$ |
|                       |                                | $V_{EN} = 10\text{ V}$   | 2     | 13   | 30   | $\mu\text{A}$ |
|                       |                                | $V_{EN} = 20\text{ V}$   | 10    | 32   | 65   | $\mu\text{A}$ |
| $I_{VDD\_FS}$         | VDD fail-safe current          | $V_{EN} = 20\text{ V}$ , $V_{VDD} = 0\text{ V}$                            | -0.1  | 0    | 0.1  | $\mu\text{A}$ |
| $R_{PD}$              | Pulldown resistance            | Two point measurement, $V_{EN} = 0.5\text{ V}$ and $V_{EN} = 0.8\text{ V}$ | 589   | 1180 | 2050 | k $\Omega$    |
| <b>NOISE IMMUNITY</b> |                                |  |       |      |      |               |
| CMTI                  | Common-mode transient immunity | $ V_{CM}  = 1000\text{ V}$   | 100.0 |      |      | V/ns          |

## 6.10 Switching Characteristics

Unless otherwise noted, all minimum/maximum specifications are over recommended operating conditions. All typical values are measured at  $T_A = 25^\circ\text{C}$ ,  $V_{\text{VDD}} = 5\text{ V}$ ,  $V_{\text{EN}} = 5\text{ V}$ .

| MODE                             | PARAMETER            | TEST CONDITIONS                                      | MIN   | TYP | MAX | UNIT          |
|----------------------------------|----------------------|--|---|-----|-----|---------------|
| <b>Switching Characteristics</b> |                      |  |   |     |     |               |
| EN switching                     | $t_{\text{PD\_ON}}$  | Input HI to Output voltage falling propagation delay | $V_{\text{IN}} = 1000\text{ V}$ $R_{\text{L}} = 1\text{ M}\Omega$ | 170 | 370 | $\mu\text{s}$ |
|                                  | $t_{\text{F}}$       | Output fall time                                     |   | 47  | 100 |               |
|                                  | $t_{\text{ON}}$      | Input HI to Output LO delay                          |   | 220 | 440 |               |
|                                  | $t_{\text{PD\_OFF}}$ | Input LO to Output voltage rising propagation delay  |   | 170 | 290 |               |
|                                  | $t_{\text{R}}$       | Output rise time                                     |   | 29  | 70  |               |
|                                  | $t_{\text{OFF}}$     | Input LO to Output HI delay                          |   | 200 | 350 |               |
| EN and VDD switching             | $t_{\text{PD\_ON}}$  | Input HI to Output voltage falling propagation delay | $V_{\text{IN}} = 1000\text{ V}$ $R_{\text{L}} = 1\text{ M}\Omega$ | 250 | 520 | $\mu\text{s}$ |
|                                  | $t_{\text{F}}$       | Output fall time                                     |   | 50  | 100 |               |
|                                  | $t_{\text{ON}}$      | Input HI to Output LO delay                          |   | 310 | 590 |               |
|                                  | $t_{\text{PD\_OFF}}$ | Input LO to Output voltage rising propagation delay  |   | 170 | 250 |               |
|                                  | $t_{\text{R}}$       | Output rise time                                     |   | 30  | 80  |               |
|                                  | $t_{\text{OFF}}$     | Input LO to Output HI delay                          |   | 200 | 350 |               |

### 6.11 Typical Characteristics

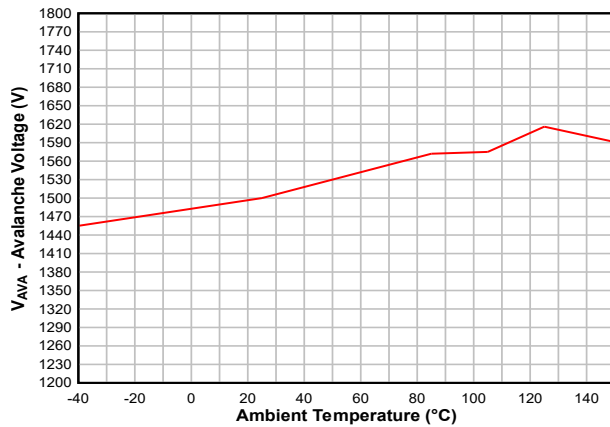


Figure 6-1. Avalanche Voltage vs Ambient Temperature ( $I_O = 100\mu A$ )

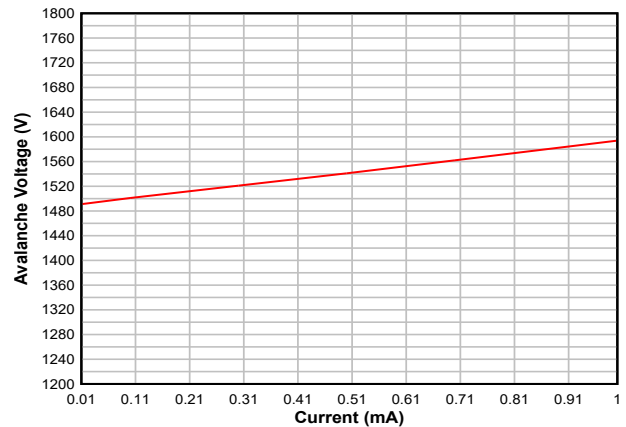


Figure 6-2. Avalanche Voltage vs Avalanche Current

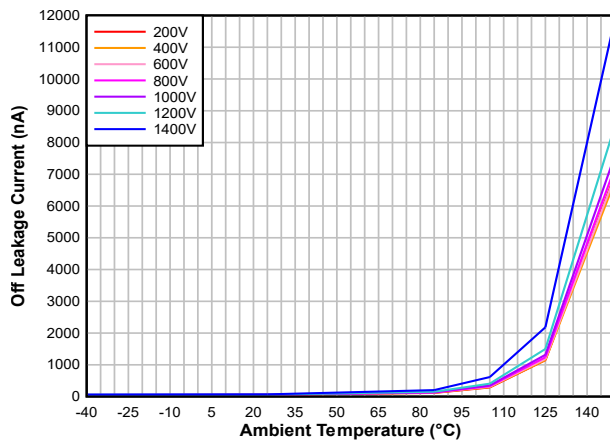


Figure 6-3. Off Leakage Current vs Ambient Temperature

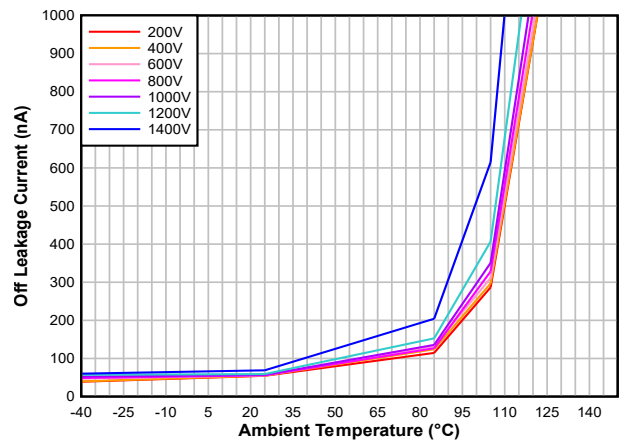


Figure 6-4. Off Leakage Current vs Ambient Temperature (Zoomed)

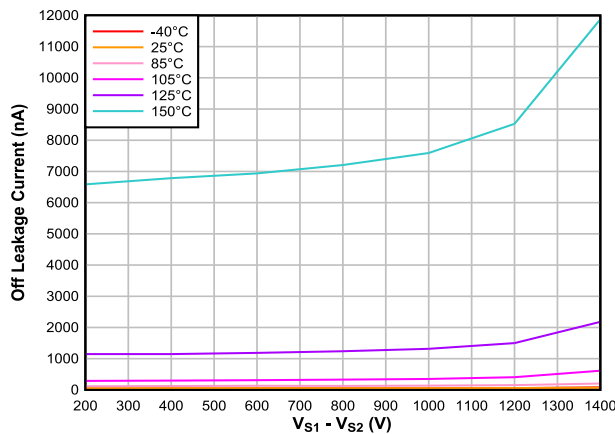


Figure 6-5. Off Leakage Current vs Output Voltage

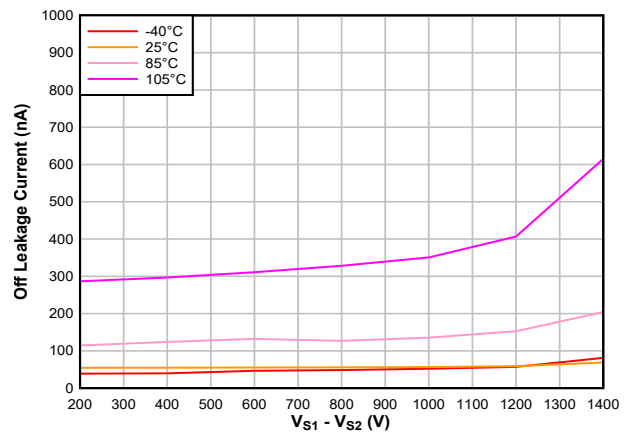


Figure 6-6. Off Leakage Current vs Output Voltage (Zoomed)

### 6.11 Typical Characteristics (continued)

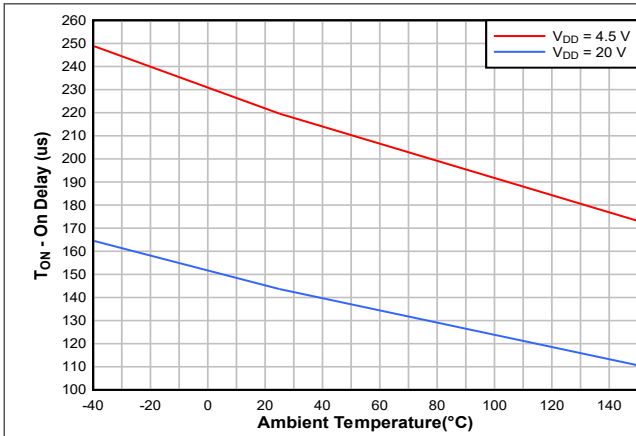


Figure 6-7. Input to Output ON Delay ( $V_{IN} = 1000\text{V}$ )

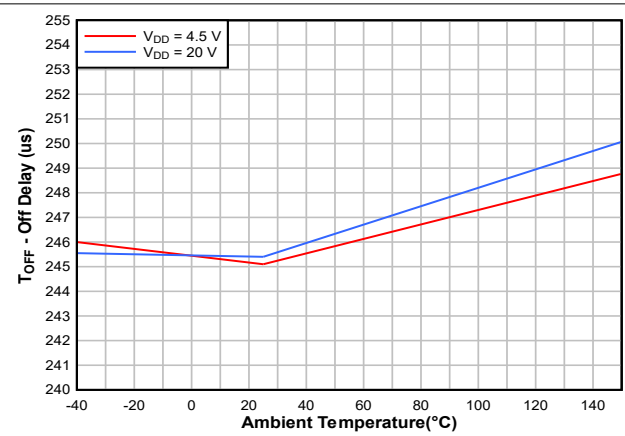


Figure 6-8. Input to Output OFF Delay ( $V_{IN} = 1000\text{V}$ )

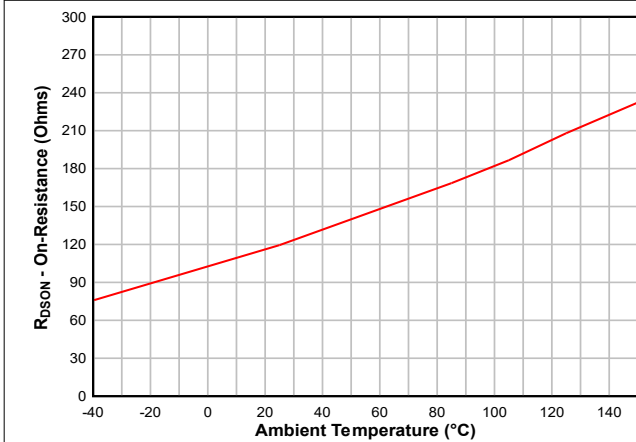


Figure 6-9. Typical On-Resistance vs Ambient Temperature

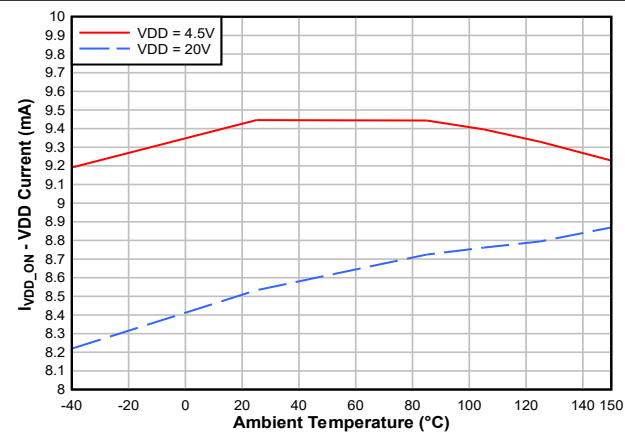


Figure 6-10. VDD Current vs Ambient Temperature

## 7 Parameter Measurement Information

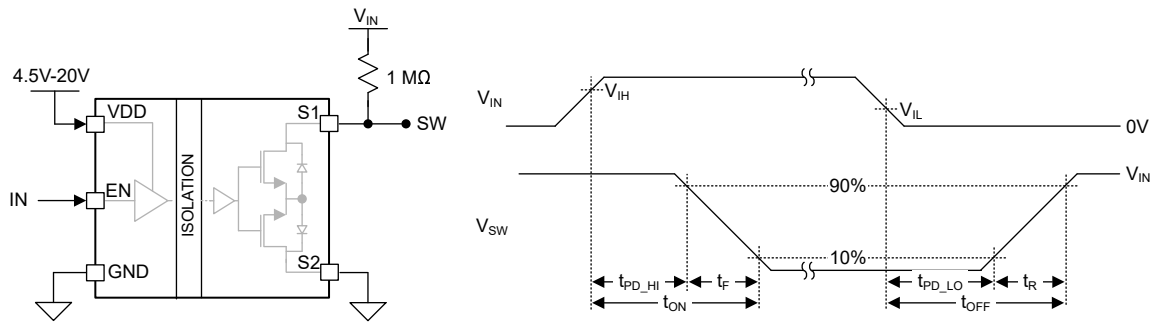


Figure 7-1. Timing Diagram, EN Switching

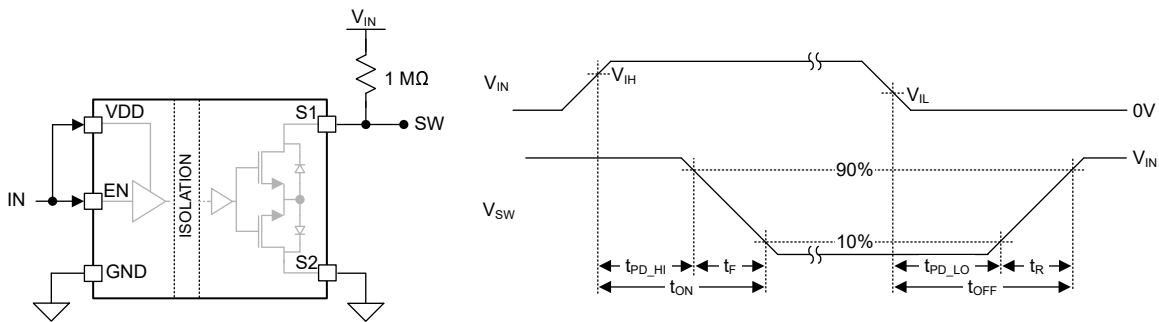


Figure 7-2. Timing Diagram, EN and VDD Switching

## 8 Detailed Description

### 8.1 Overview

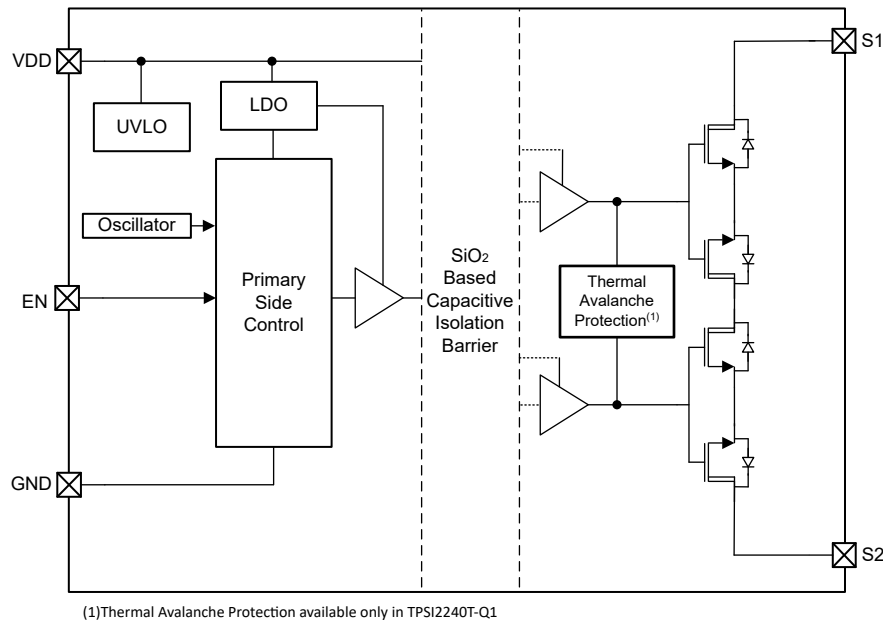
The TPSI2240-Q1 is an isolated solid state relay designed for high voltage automotive and industrial applications. TI's high reliability capacitive isolation technology in combination with back-to-back MOSFETs form a completely integrated solution requiring no secondary side power supply.

As seen in the [Functional Block Diagram](#), the primary side consists of a driver which delivers power and enable logic information to each of the internal MOSFETs on the secondary side. The on-board oscillator controls the frequency of the driver's operation and the Spread Spectrum Modulation (SSM) controller varies the driver frequency to improve system EMI performance. When the enable pin is brought HI and the VDD voltage is above the UVLO threshold, the oscillator starts and the driver sends power and a logic HI across the barrier. When VDD voltage is above the UVLO threshold, and the enable pin is brought HI, the oscillator starts and the driver sends power and a logic HI across the barrier. When the enable pin is brought LO or the VDD voltage falls below the UVLO threshold, the driver is disabled. The lack of activity communicates a logic LO to the secondary side and the MOSFETs are disabled.

The pair of MOSFETs on the secondary side has a dedicated full-bridge rectifier to form its local power supply and a receiver. The receiver determines the logic state delivered from the primary side through the capacitive isolation barrier and uses a slew rate controlled driver to drive the MOSFET's gate. The receiver performs signal conditioning on the signals received across the barrier in order to filter common mode interference and ensure that the MOSFETs are controlled according to the logic sent by the primary side driver and the system.

The avalanche robust MOSFETs and the thermal benefits of the widened pins on the 11 DWQ package enable the TPSI2240-Q1 to support dielectric withstand testing (HiPot) and DC fast high charger surge currents of up to 1mA without requiring any external protection components. The Thermal Avalanche Protection (TAP) feature included in the TPSI2240T-Q1 version of the device further improves the avalanche current capability by monitoring the junction temperature and enabling the MOSFETs to keep the temperature in a safe operating range allowing it to support a higher avalanche current.

### 8.2 Functional Block Diagram



**Figure 8-1. TPSI2240-Q1 Block Diagram**

## 8.3 Feature Description

### 8.3.1 Avalanche Robustness

When the voltage between the S1 and S2 pins exceeds  $\pm 1200\text{V}$  the secondary side MOSFETs could enter an avalanche mode of operation. The MOSFETs and the 11 DWQ package have been designed and qualified to be robust in this mode of operation to support [Section 9.2.1](#). To help ensure the thermal performance of the system in this mode of operation, refer to the PCB [Section 9.4.1](#).

## 8.4 Device Functional Modes

**Table 8-1. Device Functional Modes**

| VDD                         | EN | S1-S2 STATE | COMMENTS   |
|-----------------------------|----|-------------|--|
| Powered Up <sup>(1)</sup>   | L  | OFF         | VDD current is in OFF state range.   |
|                             | H  | ON          | VDD current is in ON state range.  |
| Powered Down <sup>(2)</sup> | L  | OFF         | VDD current is in OFF state range.   |
|                             | H  | OFF         | Primary side analog is powered on, VDD current is between OFF state and ON state ranges. |

- (1) VDD ≥ VDD undervoltage rising threshold.  
 (2) VDD ≤ VDD undervoltage falling threshold.

## 9 Application and Implementation

### Note

Information in the following applications sections is not part of the TI component specification, and TI does not warrant its accuracy or completeness. TI's customers are responsible for determining suitability of components for their purposes, as well as validating and testing their design implementation to confirm system functionality.

### 9.1 Application Information

The TPSI2240-Q1 is a 1200V, 50mA automotive isolated switch optimized for high voltage switching in measurement applications, especially those that require switching across an isolation barrier or galvanically isolated domain. Common end equipments include energy storage systems (ESS), solar panel arrays, EV chargers, and EV battery management systems. The device enables the system designer to reduce cost and improve reliability by replacing mechanical relays and optically isolated devices.

The TPSI2240-Q1's enable input is fail safe and does not need to be driven from the same domain as the VDD pin supply.

The TPSI2240-Q1 supports an input voltage range of 4.5V to 20V on the VDD primary supply pin and a logic high of 2.1V to 20V on the enable pin. The secondary side supports high voltage switching from –1200V to 1200V.

### TI Reference Designs

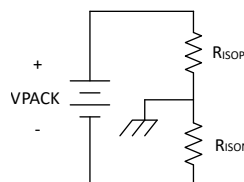
The TI reference designs linked below are a helpful introduction to high voltage applications using the TPSI2240-Q1. To maximize the thermal performance of the TPSI2240-Q1 for dielectric withstand testing (HiPot), please follow the [Layout Guidelines](#) contained within this datasheet.

- [TIDA-010232: High Voltage Insulation Monitoring](#)
- [TIDA-01513: Automotive High Voltage and Isolation Leakage Measurements](#)

### 9.2 Typical Application

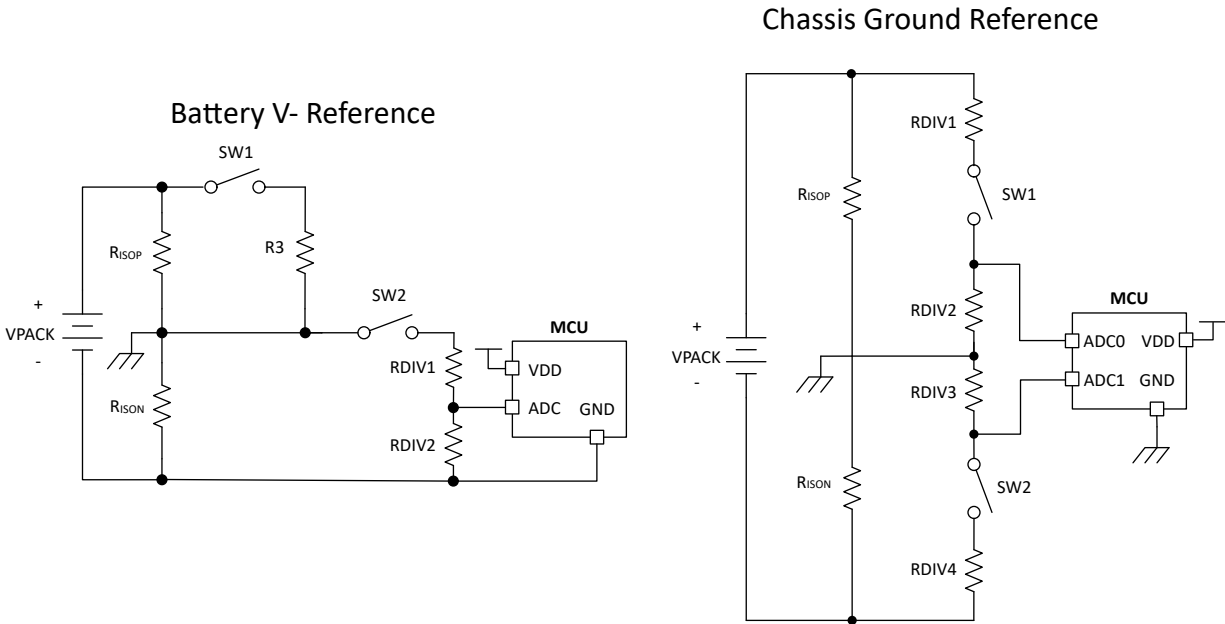
#### Insulation Resistance Monitoring

In high voltage applications such as electric vehicle systems, the high voltage battery pack is intentionally isolated from the chassis domain of the car to protect the driver and prevent damage to electrical components. These systems actively monitor the integrity of this insulation to ensure the safety of the system throughout its lifetime. This active monitoring is referred to as insulation resistance monitoring (also known as isolation check, insulation check, isolation monitoring, insulation monitoring, and residual current monitoring (RCM)) and is performed by measuring the resistances from each of the battery terminals to the chassis ground, illustrated below as  $R_{ISOP}$  and  $R_{ISON}$ .



**Figure 9-1. Insulation Resistance Model**

There are multiple design architectures using the TPSI2240-Q1 to measure these insulation resistances,  $R_{ISOP}$  and  $R_{ISON}$ . Some architectures employ a microcontroller that performs measurements from the high voltage domain, which will be referred to in this document as the Battery V- Reference architecture. Others use a microcontroller in the low voltage domain, which will be referred to in this document as the Chassis Ground Reference architecture. The primary difference between the two architectures is the node that the MCU uses as its GND reference. An example of a Battery V- MCU is the [BQ79731-Q1 UIR sensor](#).

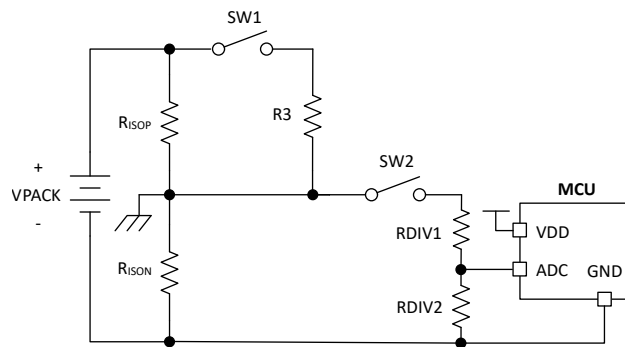


**Figure 9-2. Different MCU ADC Reference Examples**

The two following sections demonstrate the measurement algorithms and the systems of equations used to calculate the isolation resistances using each architecture.

### Battery V- Reference Example

A Battery V- Reference architecture is shown below with the TPSI2240-Q1 illustrated as a switch (SW1 and SW2). SW2 initiates a connection between the chassis and PACK- and enables the measurement path to the ADC. SW1 initiates a connection between the chassis and the PACK+. RDIV1 and RDIV2 form a divider which scales the measured voltages down to the appropriate ADC range.



**Figure 9-3. Battery V- Reference Architecture**

Two ADC measurements must be taken in order to obtain enough information to calculate the two unknown isolation resistances. The first measurement is taken with SW1 open and SW2 closed. The second measurement is taken with SW1 closed and SW2 closed. With these two measurements it is possible to solve the system of equations and calculate  $R_{ISOP}$  and  $R_{ISON}$ .

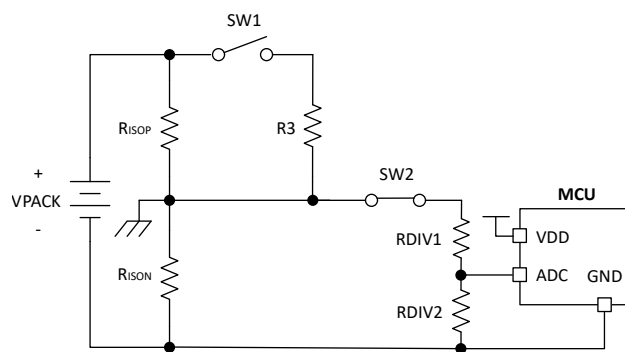
In the following example the voltage on the chassis ground is arbitrarily referred to as  $V_{RISONx}$ .

For the first ADC measurement SW2 is closed as shown below and the following equations relate the ADC voltage to the other parameters in the system in this condition:

- $V_{ADC1}$  measurement 1: SW1 open, SW2 closed

$$V_{RISON1} = V_{PACK} \times \frac{R_{ISON} \parallel (R_{DIV1} + R_{DIV2})}{R_{ISOP} + (R_{ISON} \parallel (R_{DIV1} + R_{DIV2}))} \quad (1)$$

$$V_{ADC1} = V_{RISON1} \times \frac{R_{DIV2}}{R_{DIV1} + R_{DIV2}} \quad (2)$$



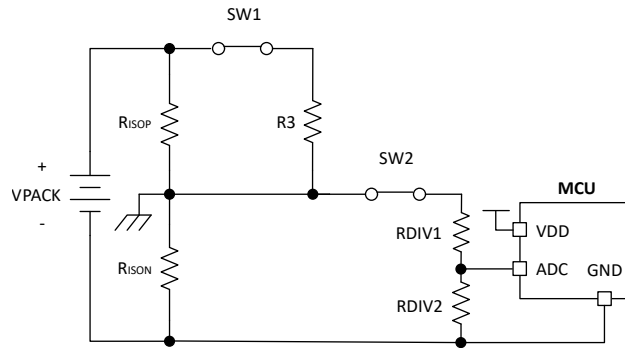
**Figure 9-4. Battery V- Reference Switch Positions for ADC1 Measurement**

For the second ADC measurement SW1 and SW2 are closed as shown below and the following equations relate the ADC voltage to the other parameters in the system in this condition:

- $V_{ADC2}$  measurement 2: SW1 closed, SW2 closed

$$V_{RISON2} = V_{PACK} \times \frac{R_{ISON} || (R_{DIV1} + R_{DIV2})}{(R_{ISOP} || R_3) + (R_{ISON} || (R_{DIV1} + R_{DIV2}))} \quad (3)$$

$$V_{ADC2} = V_{RISON2} \times \frac{R_{DIV2}}{R_{DIV1} + R_{DIV2}} \quad (4)$$



**Figure 9-5. Battery V- Reference Switch Positions for ADC2 Measurement**

### Chassis Ground Reference Example

A Chassis Ground Reference architecture is shown below. SW1 and SW2 initiate connections to the PACK+ and PACK-, and enable their corresponding measurement paths to their ADCs through their corresponding resistor dividers. RDIV1, RDIV2, RDIV3, and RDIV4 scale the measured voltages down to the appropriate ADC ranges.

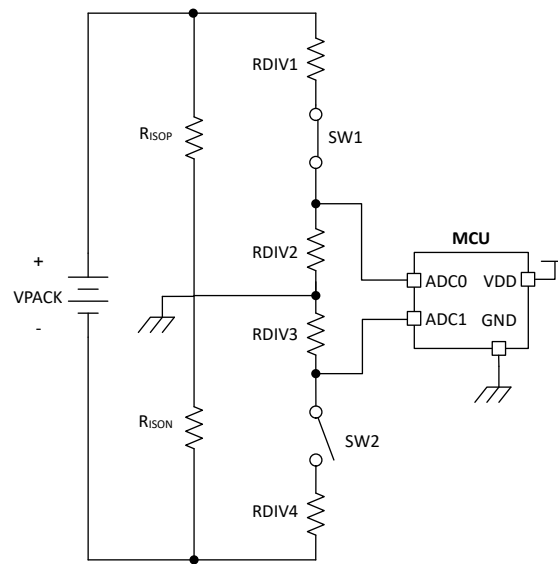
This first measurement is taken with SW1 closed and SW2 open and the second measurement is taken with SW1 open and SW2 closed.

- V<sub>ADC1</sub>: SW1 closed, SW2 open

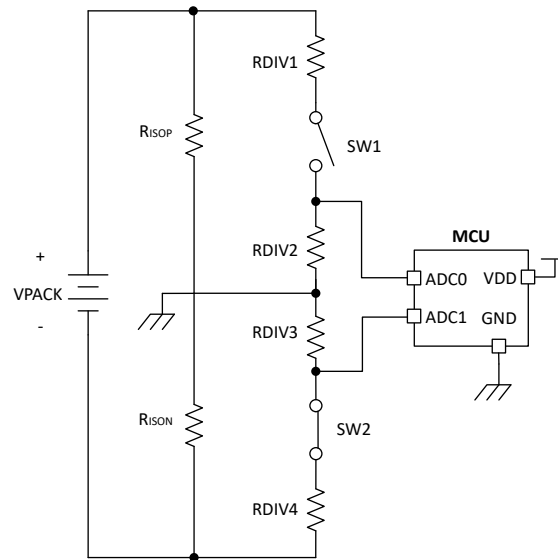
$$V_{ADC1} = V_{RDIV2} = V_{PACK} \frac{(R_{ISOP} || (R_{DIV1} + R_{DIV2}))}{(R_{ISOP} || (R_{DIV1} + R_{DIV2}) + R_{ISON})} \times \frac{R_{DIV2}}{R_{DIV1} + R_{DIV2}} \quad (5)$$

- V<sub>ADC2</sub>: SW1 open, SW2 closed

$$V_{ADC2} = V_{RDIV3} = -V_{PACK} \frac{(R_{ISON} || (R_{DIV3} + R_{DIV4}))}{(R_{ISON} || (R_{DIV3} + R_{DIV4}) + R_{ISOP})} \times \frac{R_{DIV3}}{R_{DIV3} + R_{DIV4}} \quad (6)$$



**Figure 9-6. Chassis Ground Reference Switch Positions for ADC1 Measurement**



**Figure 9-7. Chassis Ground Reference Switch Positions for ADC2 Measurement**

**Battery V- Reference and Chassis Ground Reference Architectures with the TPSI2240-Q1**

The circuits in [Figure 9-8](#) and [Figure 9-9](#) demonstrate how to connect the TPSI2240-Q1 as a switch in each of the architectures above.

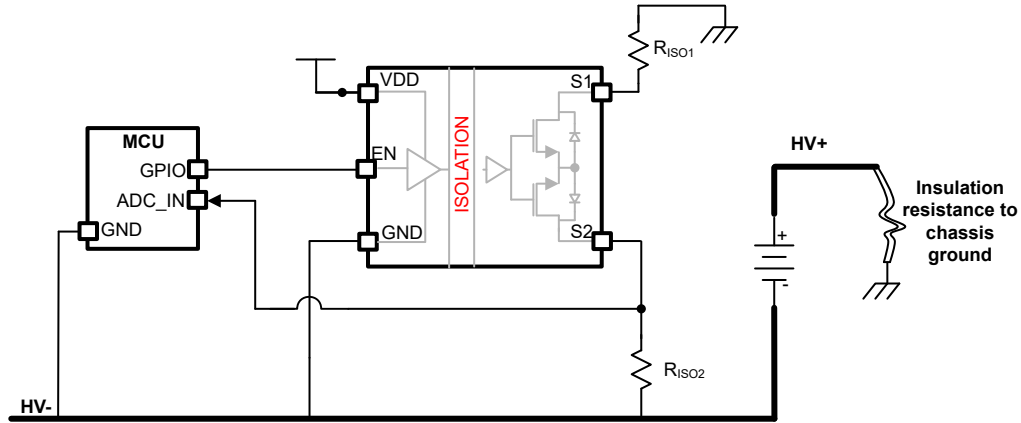


Figure 9-8. TPSI2240-Q1 Insulation Resistance Monitoring – Battery V- Reference

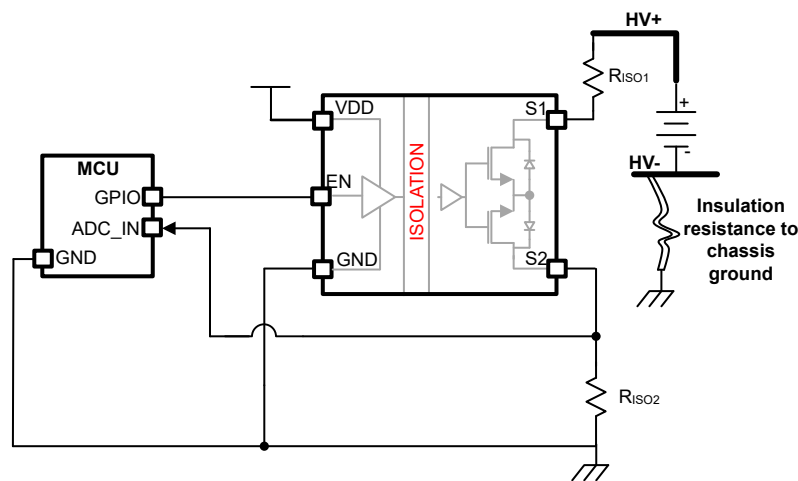


Figure 9-9. TPSI2240-Q1 Insulation Resistance Monitoring – Chassis Ground Reference

### 9.2.1 Dielectric Withstand Testing (HiPot)

The TPSI2240-Q1 is specifically designed to support dielectric withstand testing. In a high voltage system, a dielectric withstand test (HiPot) may be administered during the characterization, production or maintenance of the system to validate the reliability of the insulation barriers and galvanically isolated domains it contains. These withstand voltage tests intentionally stress the components spanning these domains and put them in an overvoltage condition. MOSFETs that are placed under these overvoltage conditions will enter avalanche mode and begin conducting current at a high voltage, dissipating high power and heating up. TPSI2240T-Q1 integrates Thermal Avalanche Protection (TAP). When the internal temperature of the IC increases beyond  $T_{TAP}$  this mode will enable. In this mode, the device will enable and disable the main power FET to regulate its internal temperature and be able to sustain higher avalanche currents. The design and qualification of the TPSI2240T-Q1 was completed with this state in mind and supports up to 3mA  $I_{AVA}$  for 60 second intervals, while the TPSI2240-Q1 supports up to 1mA  $I_{AVA}$  for 60 second intervals (0.6mA for the TPSI2240C-Q1).

The dielectric withstand test voltage ( $V_{HiPot}$ ), the TPSI2240-Q1's avalanche voltage ( $V_{AVA}$ ), and the resistance (R) in series with the TPSI2240-Q1 should be chosen to limit the avalanche current ( $I_{AVA}$ ) to the corresponding current limit depending on the test duration. In addition, the PCB design should follow the recommendations in the [Layout Guidelines](#) section to ensure adequate thermal performance to keep the junction temperature ( $T_J$ ) below the absolute maximum rating of the TPSI2240-Q1.

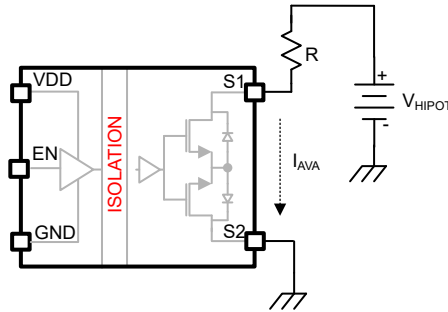


Figure 9-10. Dielectric Withstand Test (HiPot) - Simplified Schematic

### 9.2.2 Design Requirements

Table 9-1 lists the Design Requirements for a typical insulation resistance monitoring application using the Chassis Ground Reference architecture and the TPSI2240-Q1 for switching.

Table 9-1. Typical Design Parameters For Insulation Resistance Monitoring Using the TPSI2240-Q1 – Chassis Ground Reference Architecture

| PARAMETER                               | VALUE    |
|---|----------|
| V <sub>PACK</sub> Voltage (maximum)     | 1000V    |
| Primary side supply (V <sub>VDD</sub> ) | 5V ±10 % |
| Dielectric withstand voltage test       | 3850V    |
|   | 60s      |
| Surge voltage (IEC61000-3-5)            | 2500V    |

### 9.2.3 Detailed Design Procedure - Chassis Ground Reference

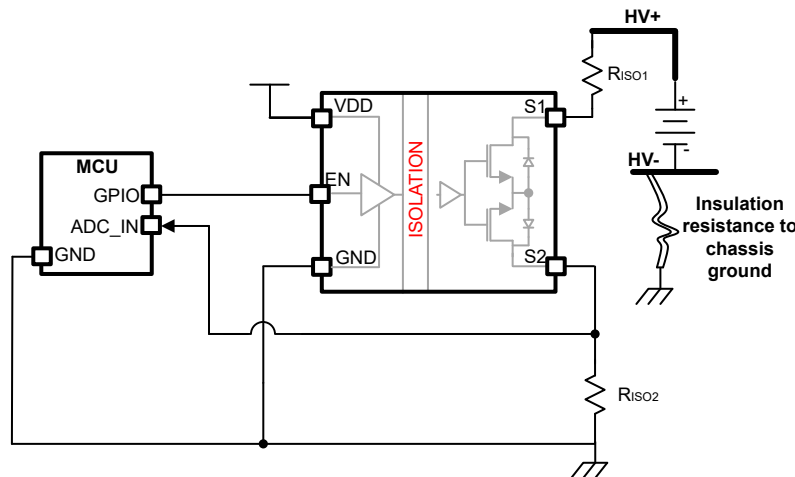


Figure 9-11. Chassis Ground Reference

#### R<sub>ISO1</sub> Selection

In order to protect the TPSI2240-Q1, R<sub>ISO1</sub> must be sized to limit the current in an overvoltage condition. The amount of resistance required to protect the TPSI2240-Q1 depends on the amount of overvoltage applied. For example, during a dielectric withstand voltage test (HiPot) of 3850V for 60 seconds, the S1 to S2 voltage will be clamped to 1300V (V<sub>AVA</sub> minimum) by the TPSI2240-Q1 and the R<sub>ISO1</sub> resistance required to keep the current under 1mA would be 2.55MΩ.

$$I_{AVA} = \frac{V_{HIPOT} - V_{AVA}}{R_{ISO1}} = \frac{3850V - 1300V}{2.55 \text{ M}\Omega} = 1.0mA \quad (7)$$

| DC OVERVOLTAGE | R <sub>ISO1</sub> MINIMUM (60 second intervals) |
|----------------|---|
| 2000V          | 700kΩ   |
| 2500V          | 1200kΩ  |
| 3850V          | 2550kΩ  |
| 4300V          | 3000kΩ  |

### 9.2.4 Application Performance Plot

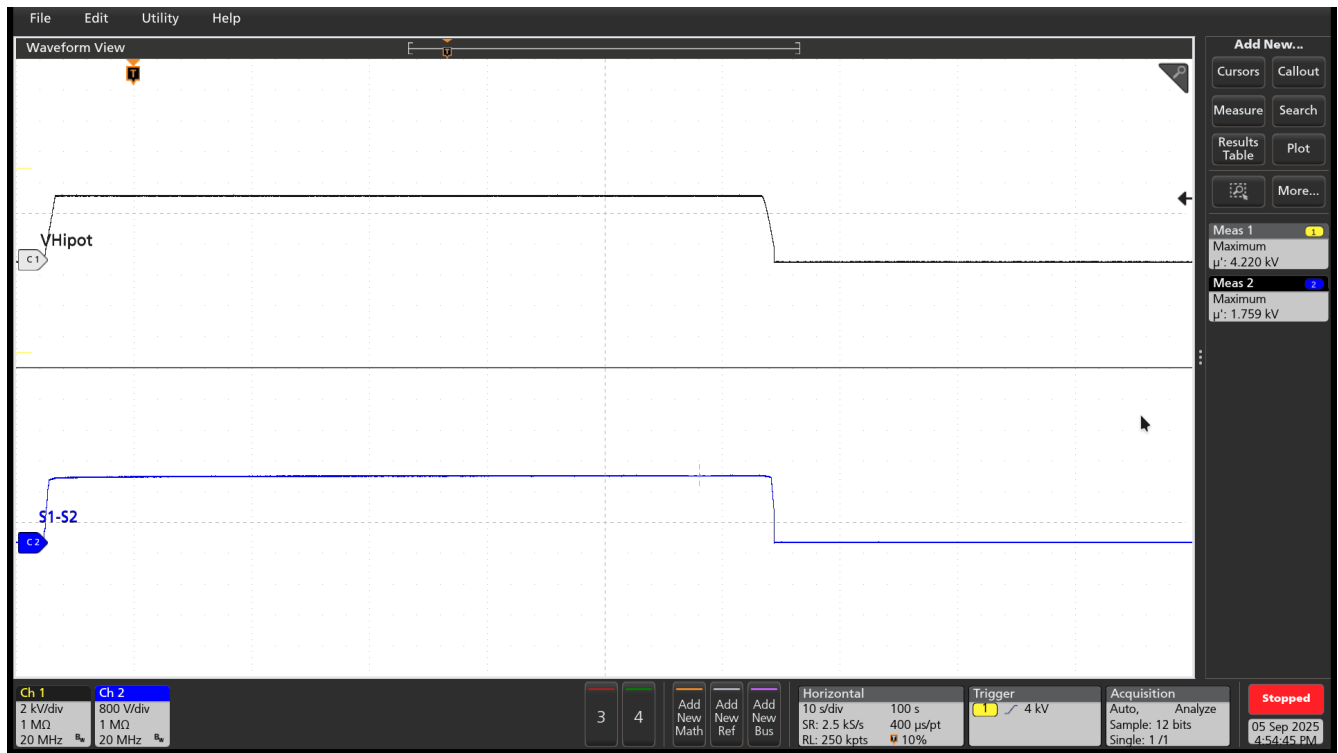


Figure 9-12. Avalanche Voltage ( $V_{S1-S2}$ ) at  $V_{HIPOT} = 4000V$  With 3126kΩ Limiting Resistor

## 9.3 Power Supply Recommendations

To ensure a reliable supply voltage, TI recommends that 100nF and 47nF ceramic capacitors be placed between the VDD pin and the GND pin of the TPSI2240-Q1. The capacitors should be placed as close to the device's VDD pin as possible < 10mm.

## 9.4 Layout

### 9.4.1 Layout Guidelines

#### Component placement:

Decoupling capacitors for the primary side VDD supply must be placed as close as possible to the device pins.

#### EMI considerations:

The TPSI2240-Q1 employs spread spectrum modulation (SSM) with a power transfer frequency of 2MHz to improve its EMI capabilities. In most applications no additional system design considerations are required to meet the CISPR 25 Class 5 standard performance. If CISPR25 Class 5 is required on the secondary side, a split limiting resistor configuration is recommended for best EMI performance, as shown in the [TPSI2240-Q1 Circuit Layout Example](#).

A 47nF X7R decoupling capacitor between the VDD pin and the GND pin is recommended for best EMI performance.

**ESD Considerations:**

No additional components are required to pass IEC 61000-4-2 up-to 6kV contact. If contact >6kV strikes is required, a split resistance configuration increases ESD performance to >8kV contact. Alternatively, ESD capacitors between primary and secondary side can be added to improve ESD performance in non-split resistance architectures.

**High-voltage considerations:**

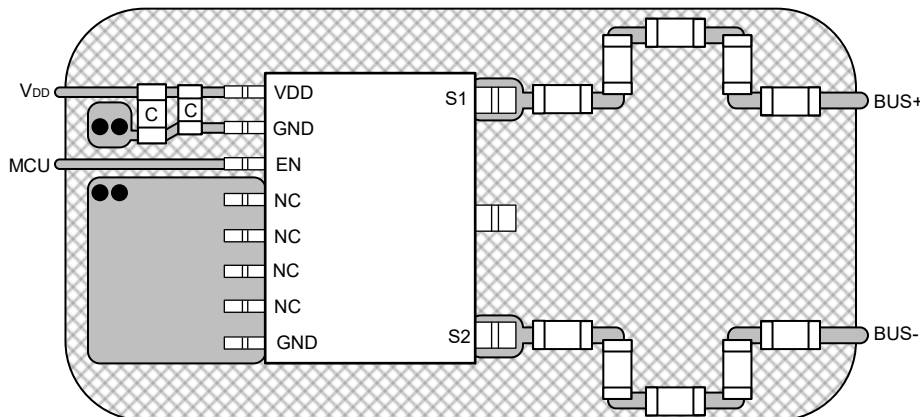
The creepage from the primary side to the secondary side and the creepage from the S1 pin to S2 pin of the TPSI2240-Q1 should be maintained according to system requirements. It is most likely that the system designer will avoid any top layer PCB routing underneath the body of the package or between the S1, SM and S2 pins.

**9.4.2 Layout Example**

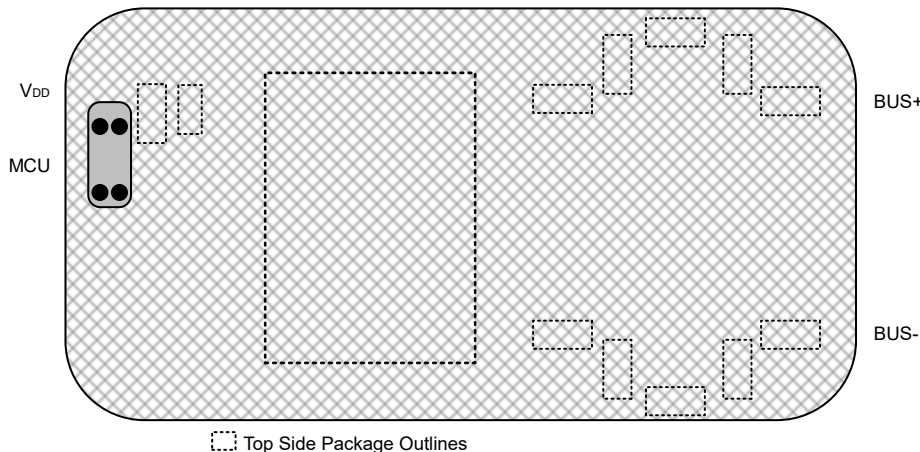
Varying PCB implementations are possible depending on both the system EMI requirements and the system dielectric withstand testing (HiPot) parameters. The following section detail a [TPSI2240-Q1 Circuit Layout Example](#) optimized for best EMI and ESD performance by implementing split resistance architecture on the secondary side.

**TPSI2240-Q1 Circuit Layout Example**

An example 2-layer circuit layout using the TPSI2240-Q1 is shown below.



**Figure 9-13. TPSI2240-Q1 Example Layout - Top Layer**



Top Side Package Outlines

**Figure 9-14. TPSI2240-Q1 Example Layout - Bottom Layer**

## 10 Device and Documentation Support

TI offers an extensive line of development tools. Tools and software to evaluate the performance of the device, generate code, and develop solutions are listed below.

### 10.1 Third-Party Products Disclaimer

TI'S PUBLICATION OF INFORMATION REGARDING THIRD-PARTY PRODUCTS OR SERVICES DOES NOT CONSTITUTE AN ENDORSEMENT REGARDING THE SUITABILITY OF SUCH PRODUCTS OR SERVICES OR A WARRANTY, REPRESENTATION OR ENDORSEMENT OF SUCH PRODUCTS OR SERVICES, EITHER ALONE OR IN COMBINATION WITH ANY TI PRODUCT OR SERVICE.

### 10.2 Receiving Notification of Documentation Updates

To receive notification of documentation updates, navigate to the device product folder on [ti.com](http://ti.com). Click on *Notifications* to register and receive a weekly digest of any product information that has changed. For change details, review the revision history included in any revised document.

### 10.3 Support Resources

[TI E2E™ support forums](#) are an engineer's go-to source for fast, verified answers and design help — straight from the experts. Search existing answers or ask your own question to get the quick design help you need.

Linked content is provided "AS IS" by the respective contributors. They do not constitute TI specifications and do not necessarily reflect TI's views; see TI's [Terms of Use](#).

### 10.4 Trademarks

TI E2E™ is a trademark of Texas Instruments.  
All trademarks are the property of their respective owners.

### 10.5 Electrostatic Discharge Caution



This integrated circuit can be damaged by ESD. Texas Instruments recommends that all integrated circuits be handled with appropriate precautions. Failure to observe proper handling and installation procedures can cause damage.

ESD damage can range from subtle performance degradation to complete device failure. Precision integrated circuits may be more susceptible to damage because very small parametric changes could cause the device not to meet its published specifications.

### 10.6 Glossary

[TI Glossary](#) This glossary lists and explains terms, acronyms, and definitions.

## 11 Revision History

NOTE: Page numbers for previous revisions may differ from page numbers in the current version.

| Changes from Revision * (September 2025) to Revision A (December 2025) | Page |
|--|------|
| • Changed status from Advance Information to Production Data.....      | 1    |

## 12 Mechanical, Packaging, and Orderable Information

The following pages include mechanical, packaging, and orderable information. This information is the most current data available for the designated devices. This data is subject to change without notice and revision of this document. For browser-based versions of this data sheet, refer to the left-hand navigation.

**PACKAGING INFORMATION**

| Orderable part number            | Status<br>(1) | Material type<br>(2) | Package   Pins  | Package qty   Carrier | RoHS<br>(3) | Lead finish/<br>Ball material<br>(4) | MSL rating/<br>Peak reflow<br>(5) | Op temp (°C) | Part marking<br>(6) |
|----------------------------------|---------------|----------------------|-----------------|-----------------------|-------------|--------------------------------------|-----------------------------------|--------------|---------------------|
| <a href="#">PTPSI2240QDWQRQ1</a> | Active        | Preproduction        | SOIC (DWQ)   11 | 2000   LARGE T&R      | -           | Call TI                              | Call TI                           | -40 to 125   |                     |
| <a href="#">TPSI2240CQDWQRQ1</a> | Active        | Production           | SOIC (DWQ)   11 | 2000   LARGE T&R      | Yes         | NIPDAU                               | Level-3-260C-168 HR               | -40 to 125   | 2240CQ              |
| <a href="#">TPSI2240QDWQRQ1</a>  | Active        | Production           | SOIC (DWQ)   11 | 2000   LARGE T&R      | Yes         | NIPDAU                               | Level-3-260C-168 HR               | -40 to 125   | 2240Q               |
| <a href="#">TPSI2240TQDWQRQ1</a> | Active        | Production           | SOIC (DWQ)   11 | 2000   LARGE T&R      | Yes         | NIPDAU                               | Level-3-260C-168 HR               | -40 to 125   | 2240TQ              |

<sup>(1)</sup> **Status:** For more details on status, see our [product life cycle](#).

<sup>(2)</sup> **Material type:** When designated, preproduction parts are prototypes/experimental devices, and are not yet approved or released for full production. Testing and final process, including without limitation quality assurance, reliability performance testing, and/or process qualification, may not yet be complete, and this item is subject to further changes or possible discontinuation. If available for ordering, purchases will be subject to an additional waiver at checkout, and are intended for early internal evaluation purposes only. These items are sold without warranties of any kind.

<sup>(3)</sup> **RoHS values:** Yes, No, RoHS Exempt. See the [TI RoHS Statement](#) for additional information and value definition.

<sup>(4)</sup> **Lead finish/Ball material:** Parts may have multiple material finish options. Finish options are separated by a vertical ruled line. Lead finish/Ball material values may wrap to two lines if the finish value exceeds the maximum column width.

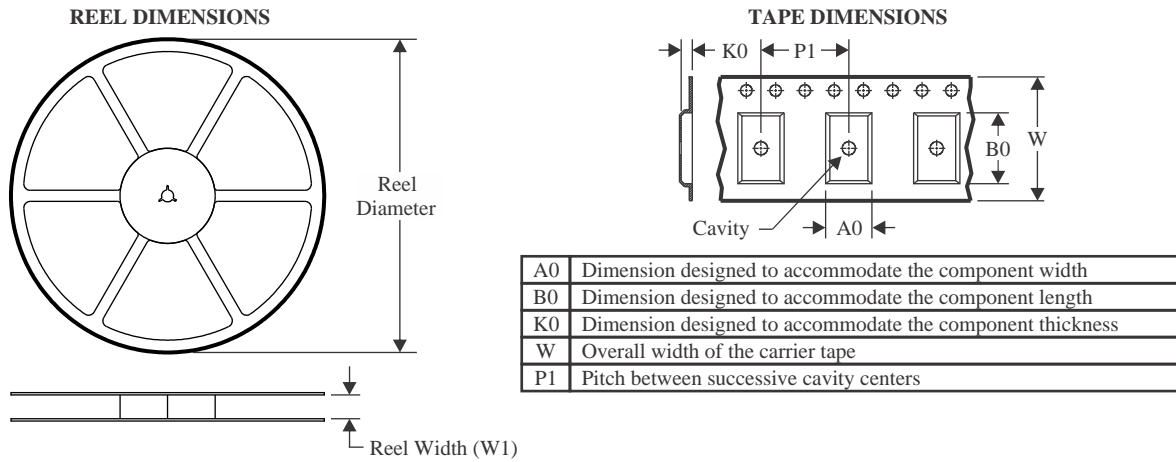
<sup>(5)</sup> **MSL rating/Peak reflow:** The moisture sensitivity level ratings and peak solder (reflow) temperatures. In the event that a part has multiple moisture sensitivity ratings, only the lowest level per JEDEC standards is shown. Refer to the shipping label for the actual reflow temperature that will be used to mount the part to the printed circuit board.

<sup>(6)</sup> **Part marking:** There may be an additional marking, which relates to the logo, the lot trace code information, or the environmental category of the part.

Multiple part markings will be inside parentheses. Only one part marking contained in parentheses and separated by a "~" will appear on a part. If a line is indented then it is a continuation of the previous line and the two combined represent the entire part marking for that device.

**Important Information and Disclaimer:** The information provided on this page represents TI's knowledge and belief as of the date that it is provided. TI bases its knowledge and belief on information provided by third parties, and makes no representation or warranty as to the accuracy of such information. Efforts are underway to better integrate information from third parties. TI has taken and continues to take reasonable steps to provide representative and accurate information but may not have conducted destructive testing or chemical analysis on incoming materials and chemicals. TI and TI suppliers consider certain information to be proprietary, and thus CAS numbers and other limited information may not be available for release.

In no event shall TI's liability arising out of such information exceed the total purchase price of the TI part(s) at issue in this document sold by TI to Customer on an annual basis.

**TAPE AND REEL INFORMATION**

**QUADRANT ASSIGNMENTS FOR PIN 1 ORIENTATION IN TAPE**


\*All dimensions are nominal

| Device           | Package Type | Package Drawing | Pins | SPQ  | Reel Diameter (mm) | Reel Width W1 (mm) | A0 (mm) | B0 (mm) | K0 (mm) | P1 (mm) | W (mm) | Pin1 Quadrant |
|------------------|--------------|-----------------|------|------|--------------------|--------------------|---------|---------|---------|---------|--------|---------------|
| TPSI2240CQDWQRQ1 | SOIC         | DWQ             | 11   | 2000 | 330.0              | 16.4               | 10.75   | 10.7    | 2.7     | 12.0    | 16.0   | Q1            |
| TPSI2240QDWQRQ1  | SOIC         | DWQ             | 11   | 2000 | 330.0              | 16.4               | 10.75   | 10.7    | 2.7     | 12.0    | 16.0   | Q1            |

**TAPE AND REEL BOX DIMENSIONS**


\*All dimensions are nominal

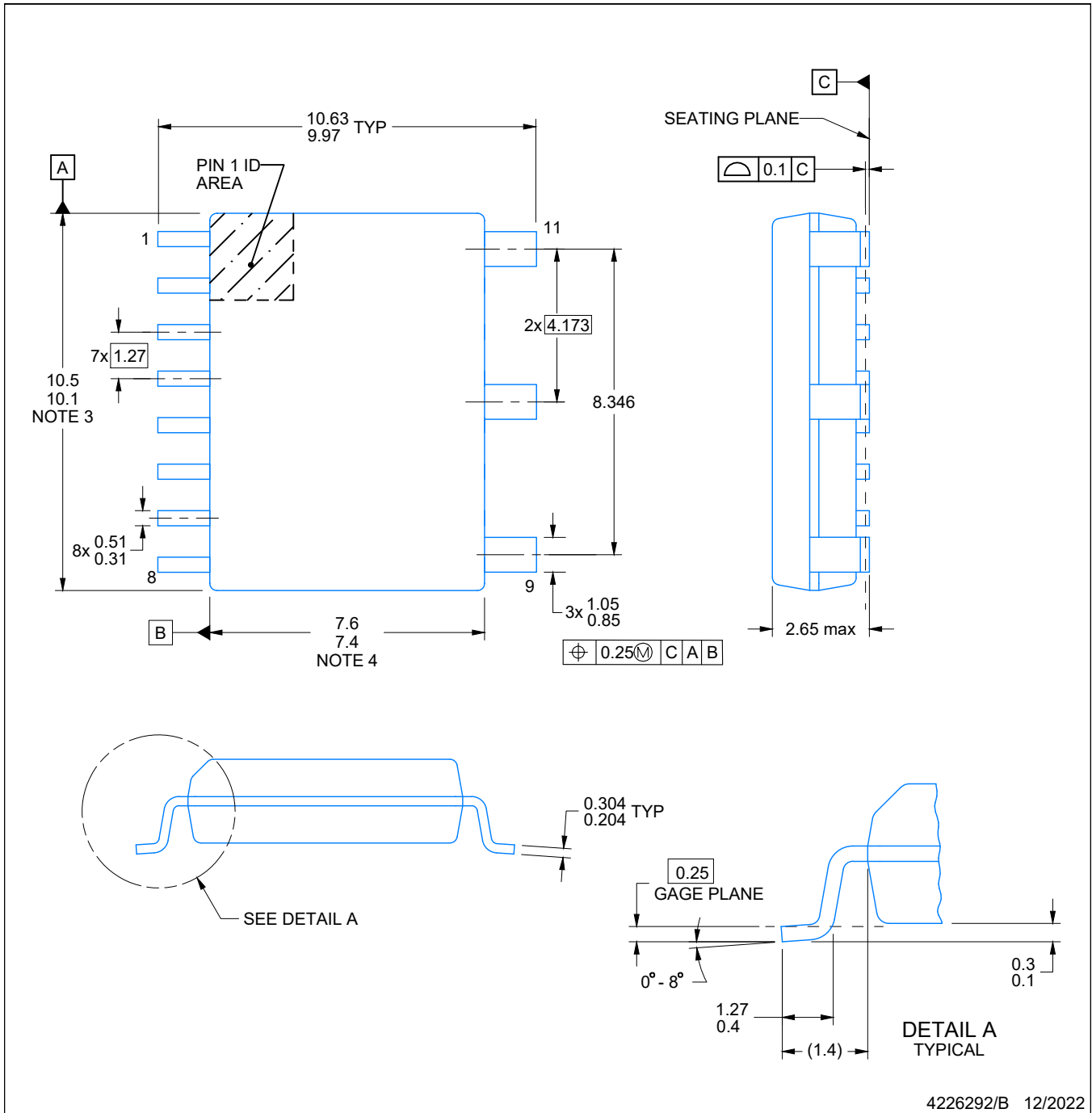
| Device           | Package Type | Package Drawing | Pins | SPQ  | Length (mm) | Width (mm) | Height (mm) |
|------------------|--------------|-----------------|------|------|-------------|------------|-------------|
| TPSI2240CQDWQRQ1 | SOIC         | DWQ             | 11   | 2000 | 350.0       | 350.0      | 43.0        |
| TPSI2240QDWQRQ1  | SOIC         | DWQ             | 11   | 2000 | 350.0       | 350.0      | 43.0        |

# PACKAGE OUTLINE

DWQ0011A

SOIC - 2.65 mm max height

SMALL OUTLINE PACKAGE



4226292/B 12/2022

NOTES:

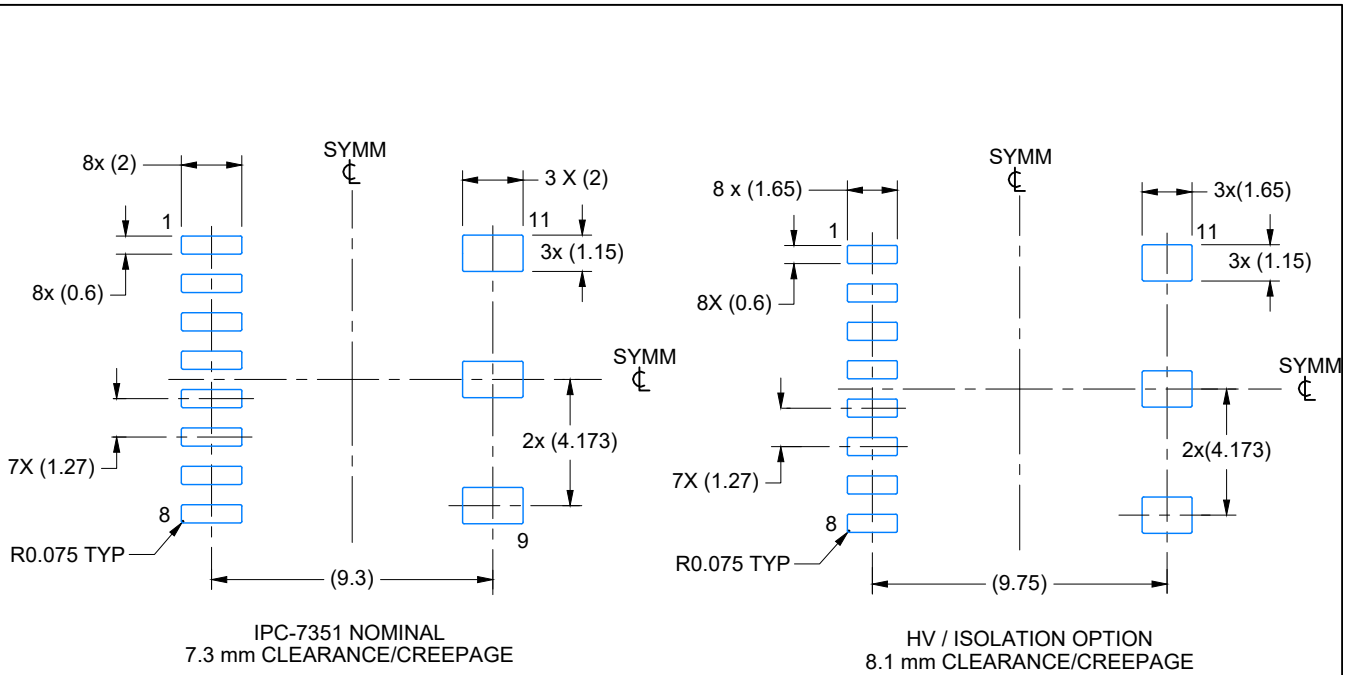
1. All linear dimensions are in millimeters. Dimensions in parenthesis are for reference only. Dimensioning and tolerancing per ASME Y14.5M.
2. This drawing is subject to change without notice.
3. This dimension does not include mold flash, protrusions, or gate burrs. Mold flash, protrusions, or gate burrs shall not exceed 0.15 mm, per side.
4. This dimension does not include interlead flash. Interlead flash shall not exceed 0.25 mm, per side.
5. Reference JEDEC registration MS-013.

# EXAMPLE BOARD LAYOUT

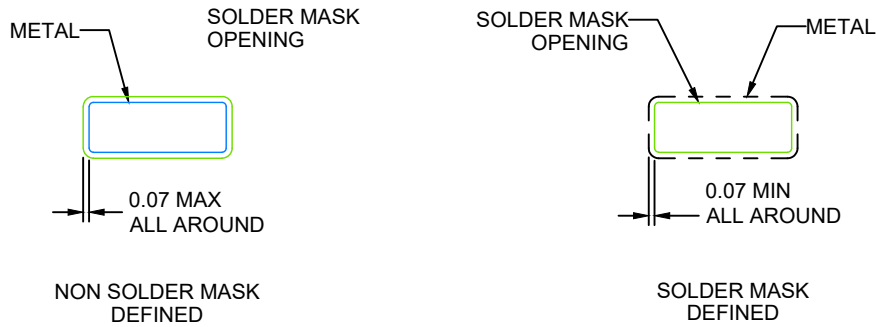
DWQ0011A

SOIC - 2.65 mm max height

SMALL OUTLINE PACKAGE



LAND PATTERN EXAMPLE  
SCALE:4X



SOLDER MASK DETAILS

4226292/B 12/2022

NOTES: (continued)

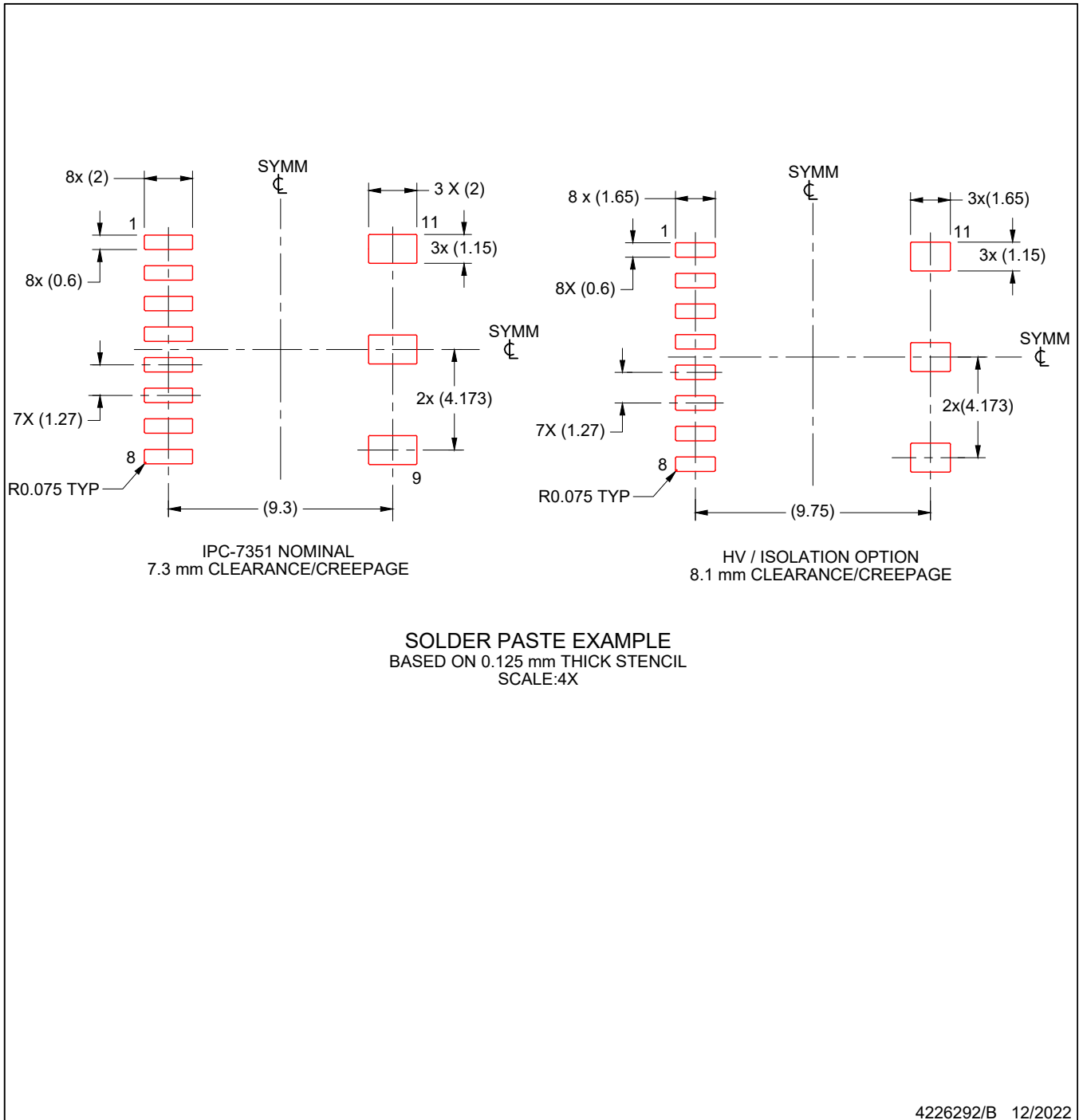
- 6. Publication IPC-7351 may have alternate designs.
- 7. Solder mask tolerances between and around signal pads can vary based on board fabrication site.

# EXAMPLE STENCIL DESIGN

DWQ0011A

SOIC - 2.65 mm max height

SMALL OUTLINE PACKAGE



NOTES: (continued)

8. Laser cutting apertures with trapezoidal walls and rounded corners may offer better paste release. IPC-7525 may have alternate design recommendations.
9. Board assembly site may have different recommendations for stencil design.

## IMPORTANT NOTICE AND DISCLAIMER

TI PROVIDES TECHNICAL AND RELIABILITY DATA (INCLUDING DATASHEETS), DESIGN RESOURCES (INCLUDING REFERENCE DESIGNS), APPLICATION OR OTHER DESIGN ADVICE, WEB TOOLS, SAFETY INFORMATION, AND OTHER RESOURCES "AS IS" AND WITH ALL FAULTS, AND DISCLAIMS ALL WARRANTIES, EXPRESS AND IMPLIED, INCLUDING WITHOUT LIMITATION ANY IMPLIED WARRANTIES OF MERCHANTABILITY, FITNESS FOR A PARTICULAR PURPOSE OR NON-INFRINGEMENT OF THIRD PARTY INTELLECTUAL PROPERTY RIGHTS.

These resources are intended for skilled developers designing with TI products. You are solely responsible for (1) selecting the appropriate TI products for your application, (2) designing, validating and testing your application, and (3) ensuring your application meets applicable standards, and any other safety, security, regulatory or other requirements.

These resources are subject to change without notice. TI grants you permission to use these resources only for development of an application that uses the TI products described in the resource. Other reproduction and display of these resources is prohibited. No license is granted to any other TI intellectual property right or to any third party intellectual property right. TI disclaims responsibility for, and you fully indemnify TI and its representatives against any claims, damages, costs, losses, and liabilities arising out of your use of these resources.

TI's products are provided subject to [TI's Terms of Sale](#), [TI's General Quality Guidelines](#), or other applicable terms available either on [ti.com](#) or provided in conjunction with such TI products. TI's provision of these resources does not expand or otherwise alter TI's applicable warranties or warranty disclaimers for TI products. Unless TI explicitly designates a product as custom or customer-specified, TI products are standard, catalog, general purpose devices.

TI objects to and rejects any additional or different terms you may propose.

Copyright © 2026, Texas Instruments Incorporated

Last updated 10/2025