

## OPAx354 250-MHz, Rail-to-Rail I/O, CMOS Operational Amplifiers

### 1 Features

- Unity-Gain Bandwidth: 250 MHz
- Wide Bandwidth: 100-MHz GBW
- High Slew Rate: 150 V/ $\mu$ s
- Low Noise: 6.5 nV $\sqrt$ Hz
- Rail-to-Rail I/O
- High Output Current: > 100 mA
- Excellent Video Performance:
  - Differential Gain: 0.02%, Differential Phase: 0.09°
  - 0.1-dB Gain Flatness: 40 MHz
- Low Input Bias Current: 3 pA
- Quiescent Current: 4.9 mA
- Thermal Shutdown
- Supply Range: 2.5 V to 5.5 V
- *MicroSIZE* and PowerPAD™ Packages

### 2 Applications

- Video Processing
- Ultrasound
- Optical Networking, Tunable Lasers
- Photodiode Transimpedance Amps
- Active Filters
- High-Speed Integrators
- Analog-to-Digital (A/D) Converter Input Buffers
- Digital-to-Analog (D/A) Converter Output Amplifiers
- Barcode Scanners
- Communications

### 3 Description

The OPAx354 series of high-speed, voltage-feedback CMOS operational amplifiers are designed for video and other applications requiring wide bandwidth. They are unity-gain stable and can drive large output currents. Differential gain is 0.02% and differential phase is 0.09°. Quiescent current is only 4.9 mA per channel.

The OPAx354 series of op amps are optimized for operation on single or dual supplies as low as 2.5 V ( $\pm 1.25$  V) and up to 5.5 V ( $\pm 2.75$  V). Common-mode input range extends beyond the supplies. The output swing is within 100 mV of the rails, supporting wide dynamic range.

For applications requiring the full 100-mA continuous output current, single and dual 8-pin HSOP PowerPAD versions are available.

The single version (OPA354) is available in the tiny 5-pin SOT-23 and 8-pin HSOP PowerPAD packages. The dual version (OPA2354) comes in the miniature 8-pin VSSOP and 8-pin HSOP PowerPAD packages. The quad version (OPA4354) is offered in 14-pin TSSOP and 14-pin SOIC packages.

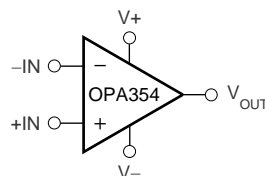
Multichannel version features completely independent circuitry for lowest crosstalk and freedom from interaction. All features are specified over the extended  $-40^{\circ}\text{C}$  to  $+125^{\circ}\text{C}$  temperature range.

#### Device Information<sup>(1)</sup>

| PART NUMBER | PACKAGE    | BODY SIZE (NOM)   |
|-------------|------------|-------------------|
| OPA354      | HSOP (8)   | 4.89 mm x 3.90 mm |
|             | SOT-23 (5) | 2.90 mm x 1.60 mm |
| OPA2354     | VSSOP (8)  | 3.00 mm x 3.00 mm |
|             | HSOP (8)   | 4.89 mm x 3.90 mm |
| OPA4354     | SOIC (14)  | 8.65 mm x 3.91 mm |
|             | TSSOP (14) | 5.00 mm x 4.40 mm |

(1) For all available packages, see the orderable addendum at the end of the data sheet.

#### Simplified Schematic



## Table of Contents

|  |           |  |           |
|--|-----------|--|-----------|
| <b>1 Features</b> .....  | <b>1</b>  | 8.4 Device Functional Modes.....                                 | <b>21</b> |
| <b>2 Applications</b> .....  | <b>1</b>  | <b>9 Application and Implementation</b> .....                    | <b>22</b> |
| <b>3 Description</b> .....   | <b>1</b>  | 9.1 Application Information.....                                 | <b>22</b> |
| <b>4 Revision History</b> .....  | <b>2</b>  | 9.2 Typical Application .....                                    | <b>22</b> |
| <b>5 Device Comparison Table</b> .....   | <b>3</b>  | <b>10 Power Supply Recommendations</b> .....                     | <b>24</b> |
| <b>6 Pin Configuration and Functions</b> .....   | <b>3</b>  | <b>11 Layout</b> .....   | <b>24</b> |
| <b>7 Specifications</b> .....  | <b>6</b>  | 11.1 Layout Guidelines .....                                     | <b>24</b> |
| 7.1 Absolute Maximum Ratings .....   | <b>6</b>  | 11.2 Layout Example .....  | <b>24</b> |
| 7.2 ESD Ratings.....   | <b>6</b>  | 11.3 Power Dissipation .....                                     | <b>24</b> |
| 7.3 Recommended Operating Conditions.....  | <b>6</b>  | 11.4 PowerPAD Thermally-Enhanced Package .....                   | <b>25</b> |
| 7.4 Thermal Information: OPA354 .....  | <b>7</b>  | 11.5 PowerPAD Assembly Process.....                              | <b>25</b> |
| 7.5 Thermal Information: OPA2354 .....   | <b>7</b>  | <b>12 Device and Documentation Support</b> .....                 | <b>27</b> |
| 7.6 Thermal Information: OPA4354 .....   | <b>7</b>  | 12.1 Documentation Support .....                                 | <b>27</b> |
| 7.7 Electrical Characteristics: $V_S = 2.7\text{ V to }5.5\text{ V}$ (Single-Supply) ..... | <b>8</b>  | 12.2 Related Links .....   | <b>27</b> |
| 7.8 Typical Characteristics .....  | <b>11</b> | 12.3 Receiving Notification of Documentation Updates .....       | <b>27</b> |
| <b>8 Detailed Description</b> .....  | <b>16</b> | 12.4 Community Resources.....                                    | <b>27</b> |
| 8.1 Overview .....   | <b>16</b> | 12.5 Trademarks .....  | <b>27</b> |
| 8.2 Functional Block Diagram .....   | <b>16</b> | 12.6 Electrostatic Discharge Caution.....                        | <b>27</b> |
| 8.3 Feature Description.....   | <b>17</b> | 12.7 Glossary.....   | <b>28</b> |
|  |           | <b>13 Mechanical, Packaging, and Orderable Information</b> ..... | <b>28</b> |

## 4 Revision History

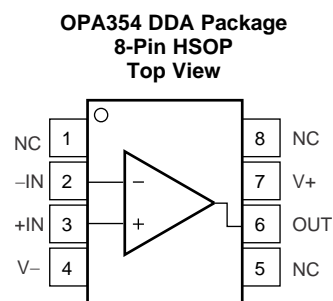
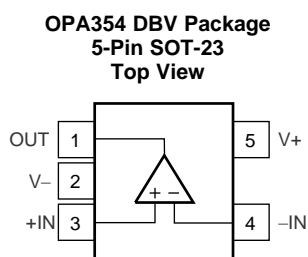
| Changes from Revision F (June 2016) to Revision G  | Page     |
|--|----------|
| • Deleted table note about input pins and input signals from <i>Absolute Maximum Ratings</i> table ..... | <b>6</b> |

| Changes from Revision E (March 2002) to Revision F   | Page     |
|--|----------|
| • Added <i>ESD Ratings</i> table, <i>Feature Description</i> section, <i>Device Functional Modes</i> , <i>Application and Implementation</i> section, <i>Power Supply Recommendations</i> section, <i>Layout</i> section, <i>Device and Documentation Support</i> section, and <i>Mechanical, Packaging, and Orderable Information</i> section ..... | <b>1</b> |
| • Deleted <i>Package/Ordering Information</i> table, see POA at the end of the data sheet.....   | <b>1</b> |
| • Renamed <i>OPAx354 Related Products</i> table to <i>Device Comparison Table</i> .....  | <b>3</b> |

## 5 Device Comparison Table

| FEATURES  | PRODUCT                         |
|---|---------------------------------|
| Shutdown Version of OPAx354 Family                  | <a href="#">OPAx357</a>         |
| 200-MHz GBW, Rail-to-Rail Output, CMOS, Shutdown    | <a href="#">OPAx355</a>         |
| 200-MHz GBW, Rail-to-Rail Output, CMOS              | <a href="#">OPAx356</a>         |
| 38-MHz GBW, Rail-to-Rail Input/Output, CMOS         | <a href="#">OPAx350/OPAx353</a> |
| 75-MHz BW G = 2, Rail-to-Rail Output                | <a href="#">OPA2631</a>         |
| 150-MHz BW G = 2, Rail-to-Rail Output               | <a href="#">OPA2634</a>         |
| 100-MHz BW, Differential Input/Output, 3.3-V Supply | <a href="#">THS412x</a>         |

## 6 Pin Configuration and Functions



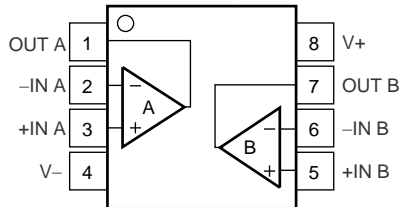
NC – no internal connection

PowerPAD must be connected to V– or left floating.

### Pin Functions: OPA354

| NAME | PIN    |         | I/O | DESCRIPTION                                   |
|------|--------|---------|-----|---|
|      | SOT-23 | HSOP    |     |   |
| –IN  | 4      | 2       | I   | Inverting input                               |
| +IN  | 3      | 3       | I   | Noninverting input                            |
| NC   | —      | 1, 5, 8 | —   | No internal connection (can be left floating) |
| OUT  | 1      | 6       | O   | Output  |
| V–   | 2      | 4       | —   | Negative (lowest) supply                      |
| V+   | 5      | 7       | —   | Positive (highest) supply                     |

**OPA2354 DGK and DDA Packages  
8-Pin VSSOP, HSOP  
Top View**

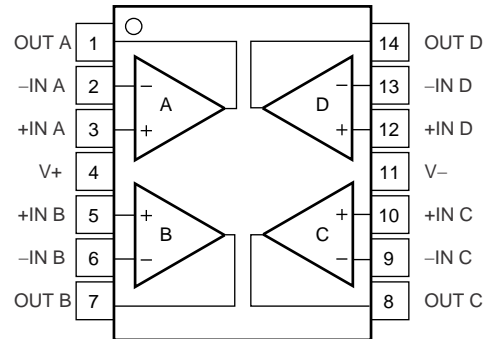


- (1) PowerPAD must be connected to V- or left floating.

**Pin Functions: OPA2354**

| PIN   |     | I/O | DESCRIPTION                   |
|-------|-----|-----|-------------------------------|
| NAME  | NO. |     |                               |
| -IN A | 2   | I   | Inverting input, channel A    |
| +IN A | 3   | I   | Noninverting input, channel A |
| -IN B | 6   | I   | Inverting input, channel B    |
| +IN B | 5   | I   | Noninverting input, channel B |
| OUT A | 1   | O   | Output, channel A             |
| OUT B | 7   | O   | Output, channel B             |
| V-    | 4   | —   | Negative (lowest) supply      |
| V+    | 8   | —   | Positive (highest) supply     |

**OPA4354 D and PW Packages  
14-Pin SOIC, TSSOP  
Top View**



**Pin Functions: OPA4354**

| PIN   |     | I/O | DESCRIPTION                   |
|-------|-----|-----|-------------------------------|
| NAME  | NO. |     |                               |
| -IN A | 2   | I   | Inverting input, channel A    |
| +IN A | 3   | I   | Noninverting input, channel A |
| -IN B | 6   | I   | Inverting input, channel B    |
| +IN B | 5   | I   | Noninverting input, channel B |
| -IN C | 9   | I   | Inverting input, channel C    |
| +IN C | 10  | I   | Noninverting input, channel C |
| -IN D | 13  | I   | Inverting input, channel D    |
| +IN D | 12  | I   | Noninverting input, channel D |
| OUT A | 1   | O   | Output, channel A             |
| OUT B | 7   | O   | Output, channel B             |
| OUT C | 8   | O   | Output, channel C             |
| OUT D | 14  | O   | Output, channel D             |
| V-    | 11  | —   | Negative (lowest) supply      |
| V+    | 4   | —   | Positive (highest) supply     |

## 7 Specifications

### 7.1 Absolute Maximum Ratings

over operating free-air temperature range (unless otherwise noted)<sup>(1)</sup>

|             |  | MIN                       | MAX                     | UNIT |
|-------------|--|---------------------------|-------------------------|------|
| Voltage     | Supply voltage, V <sub>+</sub> to V <sub>-</sub> | 7.5                       |                         | V    |
|             | Signal input terminals                           | (V <sub>-</sub> ) - (0.5) | (V <sub>+</sub> ) + 0.5 |      |
| Current     | Signal input terminals                           | -10                       | 10                      | mA   |
|             | Output short circuit <sup>(2)</sup>              | Continuous                |                         |      |
| Temperature | Operating, T <sub>A</sub>                        | -55                       | 150                     | °C   |
|             | Junction, T <sub>J</sub>                         | 150                       |                         |      |
|             | Storage, T <sub>stg</sub>                        | -65                       | 150                     |      |

(1) Stresses beyond those listed under *Absolute Maximum Ratings* may cause permanent damage to the device. These are stress ratings only, which do not imply functional operation of the device at these or any other conditions beyond those indicated under *Recommended Operating Conditions*. Exposure to absolute-maximum-rated conditions for extended periods may affect device reliability.

(2) Short-circuit to ground, one amplifier per package.

### 7.2 ESD Ratings

|  |  | VALUE | UNIT |
|--|--|-------|------|
| V <sub>(ESD)</sub> Electrostatic discharge | Human-body model (HBM), per ANSI/ESDA/JEDEC JS-001 <sup>(1)</sup>              | ±2000 | V    |
|  | Charged-device model (CDM), per JEDEC specification JESD22-C101 <sup>(2)</sup> | ±250  |      |

(1) JEDEC document JEP155 states that 500-V HBM allows safe manufacturing with a standard ESD control process.

(2) JEDEC document JEP157 states that 250-V CDM allows safe manufacturing with a standard ESD control process.

### 7.3 Recommended Operating Conditions

over operating free-air temperature range (unless otherwise noted)

|                |  | MIN | MAX | UNIT |
|----------------|--|-----|-----|------|
| V <sub>S</sub> | Supply voltage, V <sub>-</sub> to V <sub>+</sub> | 2.5 | 5.5 | V    |
|                | Specified temperature                            | -40 | 125 | °C   |

## 7.4 Thermal Information: OPA354

| THERMAL METRIC <sup>(1)</sup> |  | OPA354       |            | UNIT |
|-------------------------------|--|--------------|------------|------|
|                               |  | DBV (SOT-23) | DDA (HSOP) |      |
|                               |  | 5 PINS       | 8 PINS     |      |
| $R_{\theta JA}$               | Junction-to-ambient thermal resistance       | 216.3        | 42.5       | °C/W |
| $R_{\theta JC(top)}$          | Junction-to-case (top) thermal resistance    | 84.3         | 54         | °C/W |
| $R_{\theta JB}$               | Junction-to-board thermal resistance         | 43.1         | 26.5       | °C/W |
| $\Psi_{JT}$                   | Junction-to-top characterization parameter   | 3.8          | 8          | °C/W |
| $\Psi_{JB}$                   | Junction-to-board characterization parameter | 42.3         | 26.4       | °C/W |
| $R_{\theta JC(bot)}$          | Junction-to-case (bottom) thermal resistance | —            | 3.6        | °C/W |

(1) For more information about traditional and new thermal metrics, see the [Semiconductor and IC Package Thermal Metrics](#) application report.

## 7.5 Thermal Information: OPA2354

| THERMAL METRIC <sup>(1)</sup> |  | OPA2354    |             | UNIT |
|-------------------------------|--|------------|-------------|------|
|                               |  | DDA (HSOP) | DGK (VSSOP) |      |
|                               |  | 8 PINS     | 8 PINS      |      |
| $R_{\theta JA}$               | Junction-to-ambient thermal resistance       | 40.6       | 175.9       | °C/W |
| $R_{\theta JC(top)}$          | Junction-to-case (top) thermal resistance    | 46         | 67.8        | °C/W |
| $R_{\theta JB}$               | Junction-to-board thermal resistance         | 20.7       | 97.1        | °C/W |
| $\Psi_{JT}$                   | Junction-to-top characterization parameter   | 5.6        | 9.3         | °C/W |
| $\Psi_{JB}$                   | Junction-to-board characterization parameter | 20.6       | 95.5        | °C/W |
| $R_{\theta JC(bot)}$          | Junction-to-case (bottom) thermal resistance | 2.5        | —           | °C/W |

(1) For more information about traditional and new thermal metrics, see the [Semiconductor and IC Package Thermal Metrics](#) application report.

## 7.6 Thermal Information: OPA4354

| THERMAL METRIC <sup>(1)</sup> |  | OPA4354  |            | UNIT |
|-------------------------------|--|----------|------------|------|
|                               |  | D (SOIC) | PW (TSSOP) |      |
|                               |  | 14 PINS  | 14 PINS    |      |
| $R_{\theta JA}$               | Junction-to-ambient thermal resistance       | 83.8     | 92.6       | °C/W |
| $R_{\theta JC(top)}$          | Junction-to-case (top) thermal resistance    | 70.7     | 27.5       | °C/W |
| $R_{\theta JB}$               | Junction-to-board thermal resistance         | 59.5     | 33.6       | °C/W |
| $\Psi_{JT}$                   | Junction-to-top characterization parameter   | 11.6     | 1.9        | °C/W |
| $\Psi_{JB}$                   | Junction-to-board characterization parameter | 37.7     | 33.1       | °C/W |
| $R_{\theta JC(bot)}$          | Junction-to-case (bottom) thermal resistance | —        | —          | °C/W |

(1) For more information about traditional and new thermal metrics, see the [Semiconductor and IC Package Thermal Metrics](#) application report.

## 7.7 Electrical Characteristics: $V_S = 2.7\text{ V to }5.5\text{ V}$ (Single-Supply)

 at  $T_A = 25^\circ\text{C}$ ,  $R_F = 0\ \Omega$ ,  $R_L = 1\ \text{k}\Omega$ , and connected to  $V_S / 2$ , (unless otherwise noted)

| PARAMETER                  |                                      | TEST CONDITIONS  | MIN           | TYP                   | MAX           | UNIT                         |
|----------------------------|--------------------------------------|--|---------------|-----------------------|---------------|------------------------------|
| <b>OFFSET VOLTAGE</b>      |                                      |  |               |                       |               |                              |
| $V_{OS}$                   | Input offset voltage                 | $V_S = 5\text{ V}$<br>$T_A = 25^\circ\text{C}$   |               | $\pm 2$               | $\pm 8$       | mV                           |
|                            |                                      | $V_S = 5\text{ V}$ ,<br>$T_A = -40^\circ\text{C to }+125^\circ\text{C}$  |               |                       | $\pm 10$      |                              |
| $dV_{OS}/dT$               | Input offset voltage vs temperature  | $V_S = 5\text{ V}$<br>$T_A = -40^\circ\text{C to }+125^\circ\text{C}$  |               | $\pm 4$               |               | $\mu\text{V}/^\circ\text{C}$ |
| PSRR                       | Input offset voltage vs power supply | $V_S = 2.7\text{ V to }5.5\text{ V}$<br>$V_{CM} = (V_S / 2) - 0.55\text{ V}$   |               | $\pm 200$             | $\pm 800$     | $\mu\text{V}/\text{V}$       |
|                            |                                      | $V_S = 2.7\text{ V to }5.5\text{ V}$<br>$V_{CM} = (V_S / 2) - 0.55\text{ V}$<br>at $T_A = -40^\circ\text{C to }+125^\circ\text{C}$ |               |                       | $\pm 900$     |                              |
| <b>INPUT BIAS CURRENT</b>  |                                      |  |               |                       |               |                              |
| $I_B$                      | Input bias current                   |  |               | 3                     | $\pm 50$      | pA                           |
| $I_{OS}$                   | Input offset current                 |  |               | $\pm 1$               | $\pm 50$      | pA                           |
| <b>NOISE</b>               |                                      |  |               |                       |               |                              |
| $e_n$                      | Input voltage noise density          | $f = 1\text{ MHz}$   |               | 6.5                   |               | $\text{nV}/\sqrt{\text{Hz}}$ |
| $i_n$                      | Current noise density                | $f = 1\text{ MHz}$   |               | 50                    |               | $\text{fA}/\sqrt{\text{Hz}}$ |
| <b>INPUT VOLTAGE RANGE</b> |                                      |  |               |                       |               |                              |
| $V_{CM}$                   | Common-mode voltage                  |  | $(V^-) - 0.1$ |                       | $(V^+) + 0.1$ | V                            |
| CMRR                       | Common-mode rejection ratio          | $V_S = 5.5\text{ V}$<br>$-0.1\text{ V} < V_{CM} < 3.5\text{ V}$<br>$T_A = 25^\circ\text{C}$  | 66            | 80                    |               | dB                           |
|                            |                                      | $V_S = 5.5\text{ V}$<br>$-0.1\text{ V} < V_{CM} < 3.5\text{ V}$<br>$T_A = -40^\circ\text{C to }+125^\circ\text{C}$                 | 64            |                       |               |                              |
|                            |                                      | $V_S = 5.5\text{ V}$<br>$-0.1\text{ V} < V_{CM} < 5.6\text{ V}$<br>$T_A = 25^\circ\text{C}$  | 56            | 68                    |               |                              |
|                            |                                      | $V_S = 5.5\text{ V}$<br>$-0.1\text{ V} < V_{CM} < 5.6\text{ V}$<br>$T_A = -40^\circ\text{C to }+125^\circ\text{C}$                 | 55            |                       |               |                              |
| <b>INPUT IMPEDANCE</b>     |                                      |  |               |                       |               |                              |
|                            | Differential                         |  |               | $10^{13} \parallel 2$ |               | $\Omega \parallel \text{pF}$ |
|                            | Common-mode                          |  |               | $10^{13} \parallel 2$ |               | $\Omega \parallel \text{pF}$ |
| <b>OPEN-LOOP GAIN</b>      |                                      |  |               |                       |               |                              |
| $A_{OL}$                   | Open-loop gain                       | $V_S = 5.5\text{ V}$<br>$0.3\text{ V} < V_O < 4.7\text{ V}$<br>$T_A = 25^\circ\text{C}$  | 94            | 110                   |               | dB                           |
|                            |                                      | $V_S = 5\text{ V}$<br>$0.4\text{ V} < V_O < 4.6\text{ V}$<br>$T_A = -40^\circ\text{C to }+125^\circ\text{C}$                       | 90            |                       |               |                              |
| <b>FREQUENCY RESPONSE</b>  |                                      |  |               |                       |               |                              |
| $f_{-3\text{dB}}$          | Small-signal bandwidth               | At $G = +1$<br>$V_O = 100\text{ mV}_{PP}$<br>$R_F = 25\ \Omega$  |               | 250                   |               | MHz                          |
|                            |                                      | At $G = +2$<br>$V_O = 100\text{ mV}_{PP}$  |               | 90                    |               |                              |
| GBW                        | Gain-bandwidth product               | $G = +10$  |               | 100                   |               | MHz                          |
| $f_{0.1\text{dB}}$         | Bandwidth for 0.1-dB gain flatness   | At $G = +2$<br>$V_O = 100\text{ mV}_{PP}$  |               | 40                    |               | MHz                          |

**Electrical Characteristics:  $V_S = 2.7\text{ V to }5.5\text{ V}$  (Single-Supply) (continued)**

 at  $T_A = 25^\circ\text{C}$ ,  $R_F = 0\ \Omega$ ,  $R_L = 1\ \text{k}\Omega$ , and connected to  $V_S / 2$ , (unless otherwise noted)

| PARAMETER |                        | TEST CONDITIONS   | MIN | TYP | MAX | UNIT             |
|-----------|------------------------|---|-----|-----|-----|------------------|
| SR        | Slew rate              | $V_S = 5\text{ V}$ , $G = +1$ , 4-V step                |     | 150 |     | V/ $\mu\text{s}$ |
|           |                        | $V_S = 5\text{ V}$ , $G = +1$ , 2-V step                |     | 130 |     |                  |
|           |                        | $V_S = 3\text{ V}$ , $G = +1$ , 2-V step                |     | 110 |     |                  |
|           | Rise-and-fall time     | At $G = +1$<br>$V_O = 200\text{ mV}_{PP}$<br>10% to 90% |     | 2   |     | ns               |
|           |                        | At $G = +1$ , $V_O = 2\text{ V}_{PP}$ , 10% to 90%      |     | 11  |     |                  |
|           | Settling time          | 0.1%, $V_S = 5\text{ V}$ , $G = +1$<br>2-V output step  |     | 30  |     | ns               |
|           |                        | 0.01%, $V_S = 5\text{ V}$ , $G = +1$<br>2-V output step |     | 60  |     |                  |
|           | Overload recovery time | $V_{IN} \times \text{Gain} = V_S$                       |     | 5   |     | ns               |

**Electrical Characteristics:  $V_S = 2.7\text{ V to }5.5\text{ V}$  (Single-Supply) (continued)**

 at  $T_A = 25^\circ\text{C}$ ,  $R_F = 0\ \Omega$ ,  $R_L = 1\ \text{k}\Omega$ , and connected to  $V_S / 2$ , (unless otherwise noted)

| PARAMETER                                     |  | TEST CONDITIONS   | MIN   | TYP   | MAX | UNIT     |
|---|--|---|---|-------|-----|----------|
| <b>FREQUENCY RESPONSE (CONTINUED)</b>         |  |   |   |       |     |          |
| Harmonic distortion                           | Second harmonic                                      | At $G = +1$ , $f = 1\ \text{MHz}$ ,<br>$V_O = 2\ V_{PP}$<br>$R_L = 200\ \Omega$ , $V_{CM} = 1.5\ \text{V}$                    |   | -75   |     | dBc      |
|   | Third harmonic                                       | At $G = +1$ , $f = 1\ \text{MHz}$<br>$V_O = 2\ V_{PP}$<br>$R_L = 200\ \Omega$ , $V_{CM} = 1.5\ \text{V}$                      |   | -83   |     |          |
| Differential gain error                       |  | NTSC, $R_L = 150\ \Omega$   |   | 0.02% |     |          |
| Differential phase error                      |  | NTSC, $R_L = 150\ \Omega$   |   | 0.09  |     | °        |
| Channel-to-channel crosstalk                  | OPA2354  | $f = 5\ \text{MHz}$   |   | -100  |     | dB       |
|   | OPA4354  |   |   | -84   |     |          |
| <b>OUTPUT</b>                                 |  |   |   |       |     |          |
| Voltage output swing from rail                |  | $V_S = 5\ \text{V}$ , $R_L = 1\ \text{k}\Omega$ , $A_{OL} > 94\ \text{dB}$<br>$T_A = 25^\circ\text{C}$                        |   | 0.1   | 0.3 | V        |
|   |  | $V_S = 5\ \text{V}$ , $R_L = 1\ \text{k}\Omega$ , $A_{OL} > 90\ \text{dB}$<br>$T_A = -40^\circ\text{C to }+125^\circ\text{C}$ |   |       | 0.4 |          |
| $I_O$   | Output current, single, dual, quad <sup>(1)(2)</sup> |   | $V_S = 5\ \text{V}$   | 100   |     | mA       |
|   |  |   | $V_S = 3\ \text{V}$   |       | 50  | mA       |
| Closed-loop output impedance                  |  | $f < 100\ \text{kHz}$   |   | 0.05  |     | $\Omega$ |
| $R_O$   | Open-loop output resistance                          |   |   | 35    |     | $\Omega$ |
| <b>POWER SUPPLY</b>                           |  |   |   |       |     |          |
| $V_S$   | Specified voltage                                    |   |   | 2.7   | 5   | V        |
|   | Operating voltage                                    |   |   | 2.5   | 5.5 |          |
| $I_Q$   | Quiescent current (per amplifier)                    |   | $T_A = 25^\circ\text{C}$ , $V_S = 5\ \text{V}$ (enabled)<br>$I_O = 0$ | 4.9   | 6   | mA       |
|   |  |   | $T_A = -40^\circ\text{C to }+125^\circ\text{C}$                       |       | 7.5 |          |
| <b>THERMAL SHUTDOWN: JUNCTION TEMPERATURE</b> |  |   |   |       |     |          |
| Shutdown                                      |  |   |   | 160   |     | °C       |
| Reset from shutdown                           |  |   |   | 140   |     | °C       |
| <b>THERMAL RANGE</b>                          |  |   |   |       |     |          |
| Specified                                     |  |   |   | -40   | 125 | °C       |
| Operating                                     |  |   |   | -55   | 150 | °C       |
| Storage                                       |  |   |   | -65   | 150 | °C       |

 (1) See typical characteristic curves, *Output Voltage Swing vs Output Current* (Figure 20 and Figure 22).

(2) Specified by design.

## 7.8 Typical Characteristics

at  $T_A = 25^\circ\text{C}$ ,  $V_S = 5\text{ V}$ ,  $G = +1$ ,  $R_F = 0\ \Omega$ ,  $R_L = 1\ \text{k}\Omega$ , and connected to  $V_S / 2$ , (unless otherwise noted)

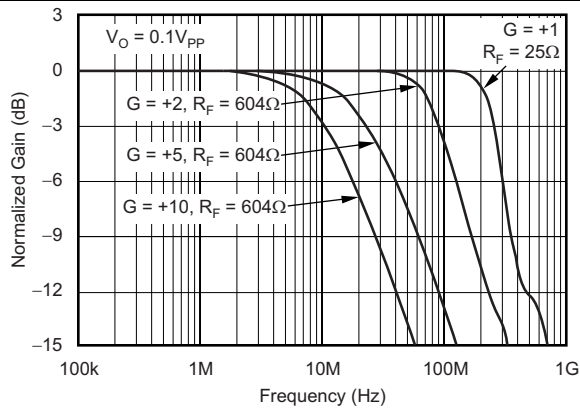


Figure 1. Noninverting Small-Signal Frequency Response

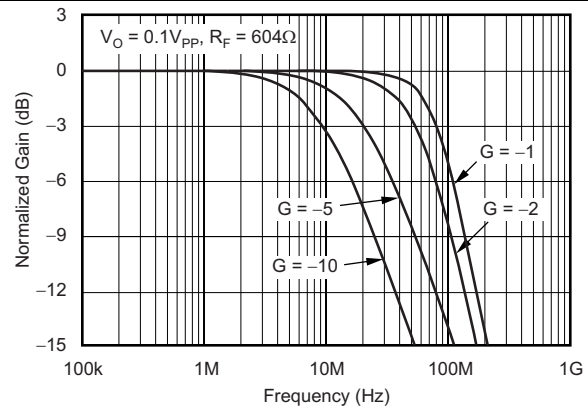


Figure 2. Inverting Small-Signal Frequency Response

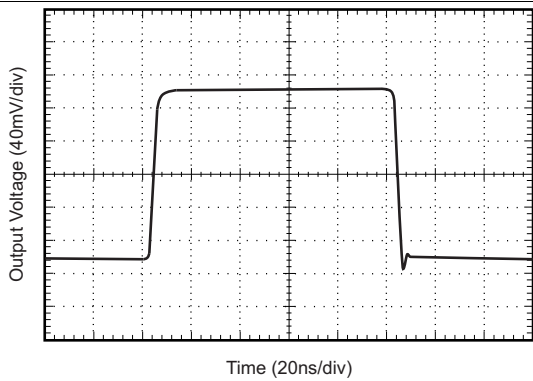


Figure 3. Noninverting Small-Signal Step Response

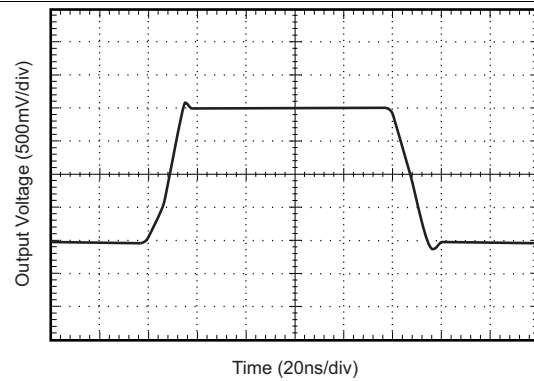


Figure 4. Noninverting Large-Signal Step Response

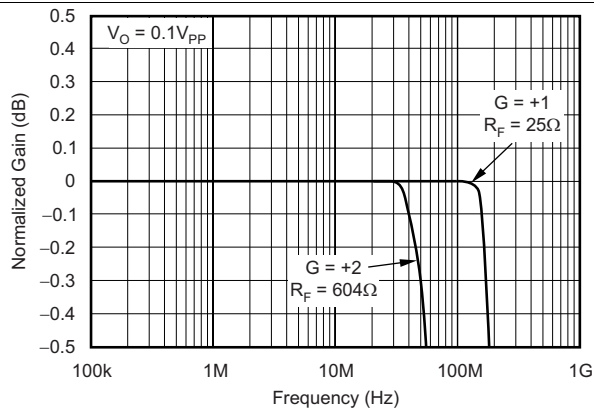


Figure 5. 0.1-dB Gain Flatness

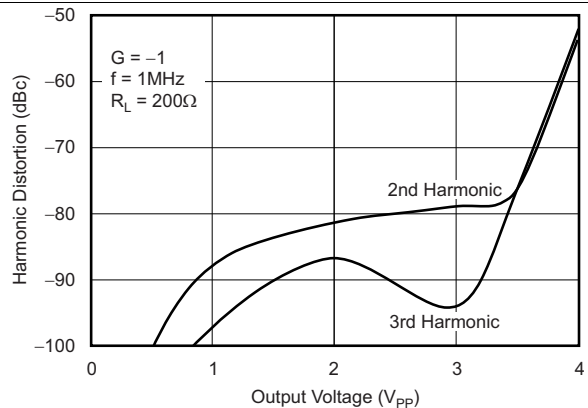


Figure 6. Harmonic Distortion vs Output Voltage

Typical Characteristics (continued)

at  $T_A = 25^\circ\text{C}$ ,  $V_S = 5\text{ V}$ ,  $G = +1$ ,  $R_F = 0\ \Omega$ ,  $R_L = 1\ \text{k}\Omega$ , and connected to  $V_S / 2$ , (unless otherwise noted)

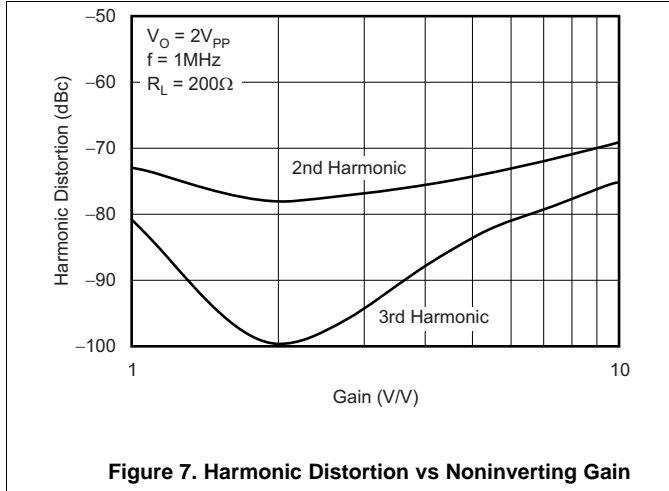


Figure 7. Harmonic Distortion vs Noninverting Gain

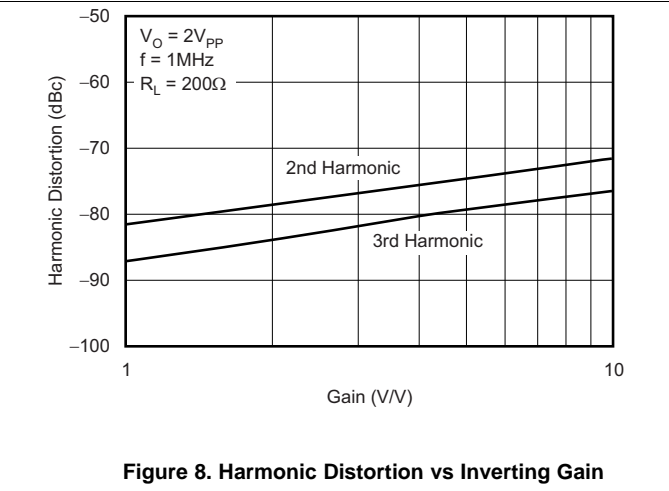


Figure 8. Harmonic Distortion vs Inverting Gain

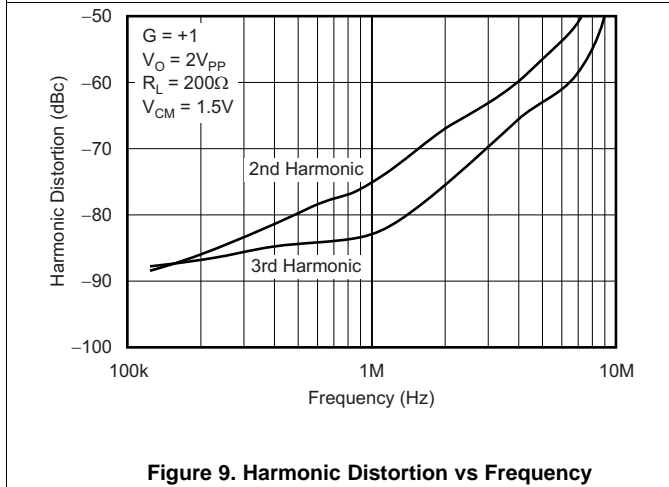


Figure 9. Harmonic Distortion vs Frequency

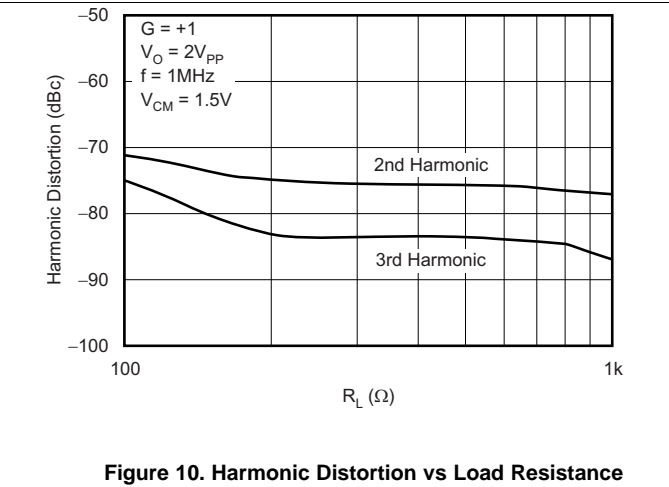


Figure 10. Harmonic Distortion vs Load Resistance

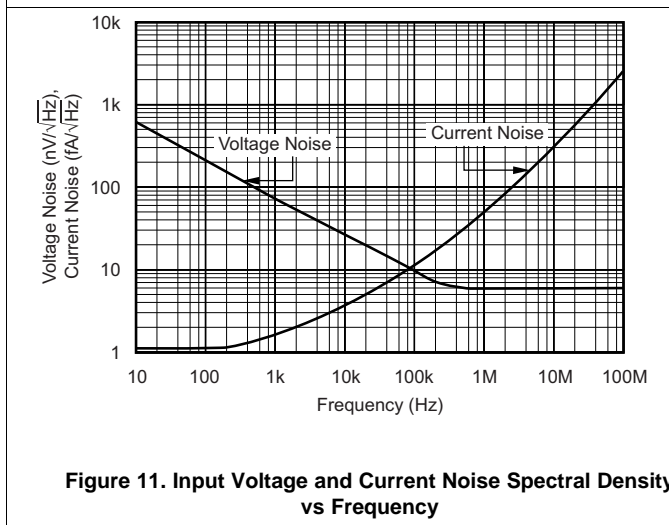


Figure 11. Input Voltage and Current Noise Spectral Density vs Frequency

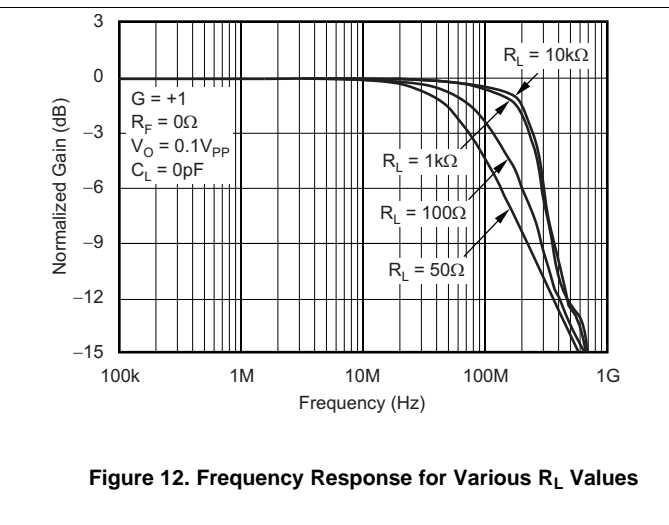


Figure 12. Frequency Response for Various  $R_L$  Values

Typical Characteristics (continued)

at  $T_A = 25^\circ\text{C}$ ,  $V_S = 5\text{ V}$ ,  $G = +1$ ,  $R_F = 0\ \Omega$ ,  $R_L = 1\ \text{k}\Omega$ , and connected to  $V_S / 2$ , (unless otherwise noted)

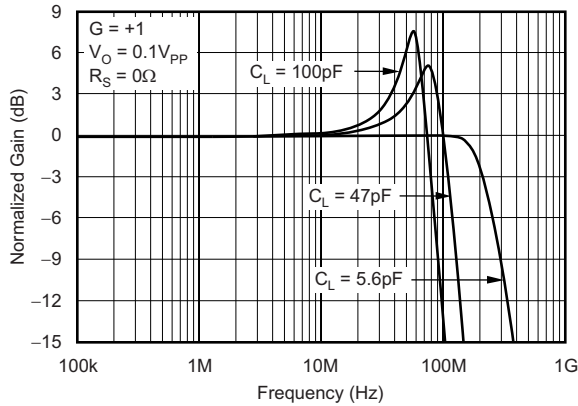


Figure 13. Frequency Response for Various  $C_L$  Values

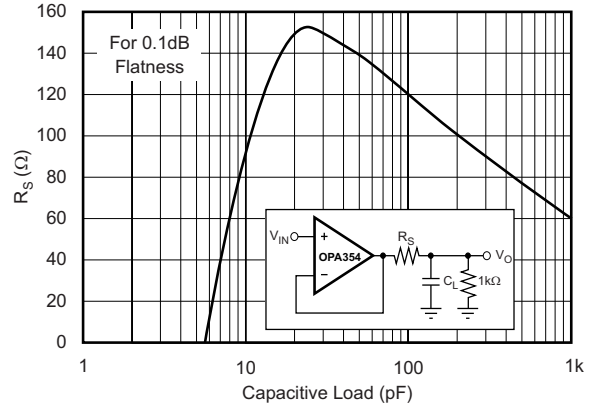


Figure 14. Recommended  $R_S$  vs Capacitive Load

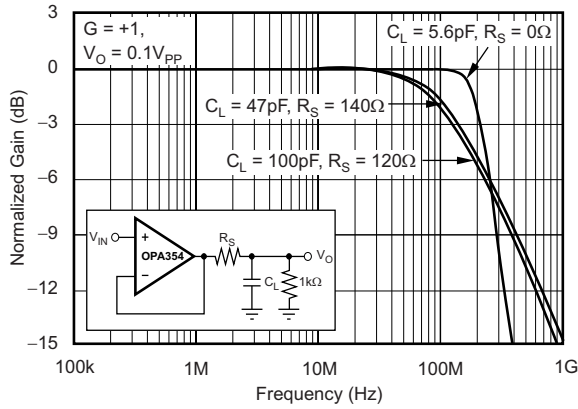


Figure 15. Frequency Response vs Capacitive Load

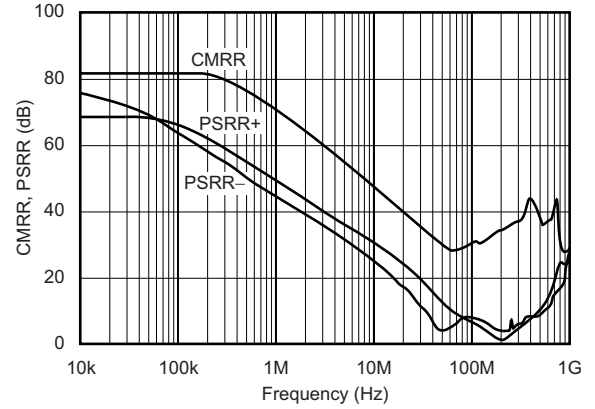


Figure 16. Common-Mode Rejection Ratio and Power-Supply Rejection Ratio vs Frequency

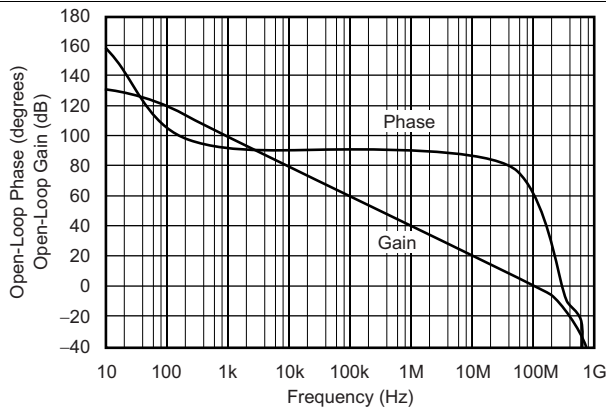


Figure 17. Open-Loop Gain and Phase

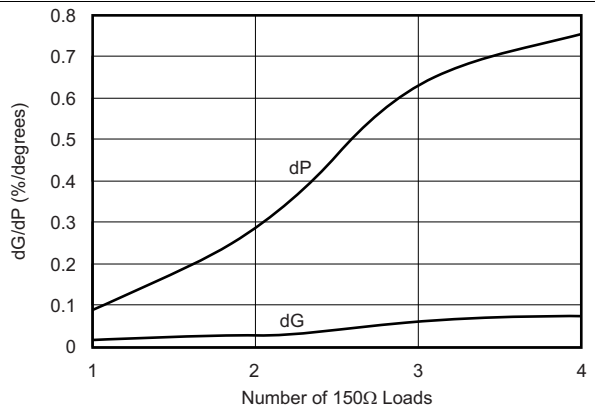
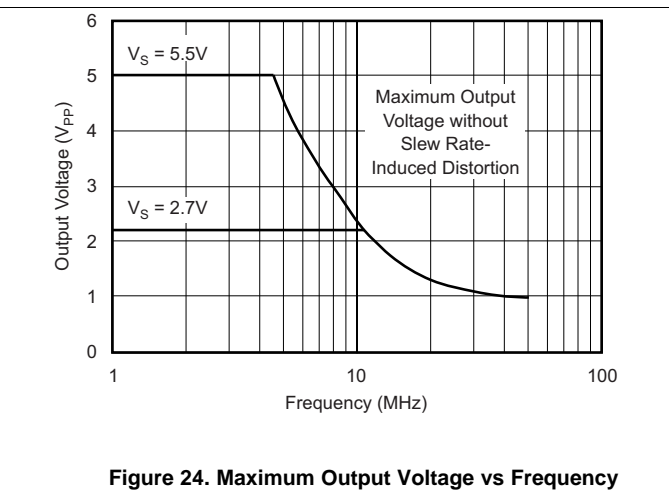
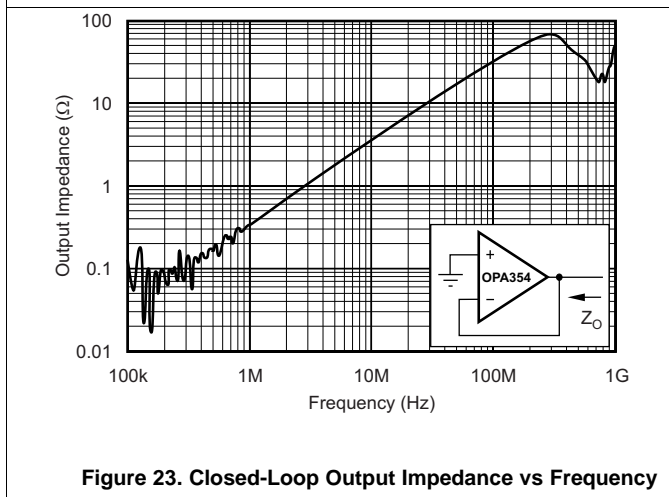
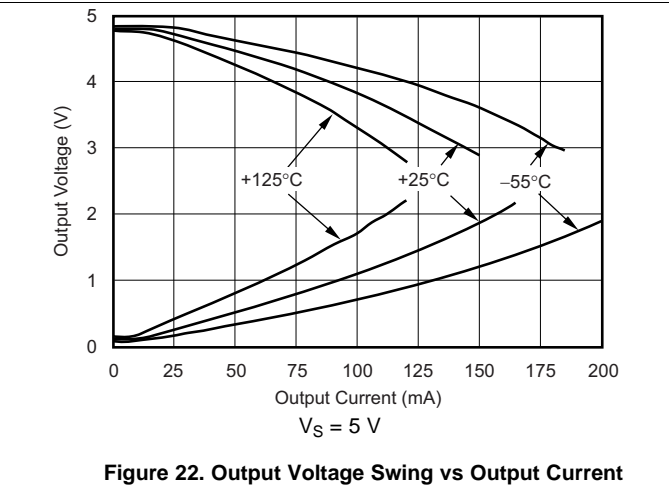
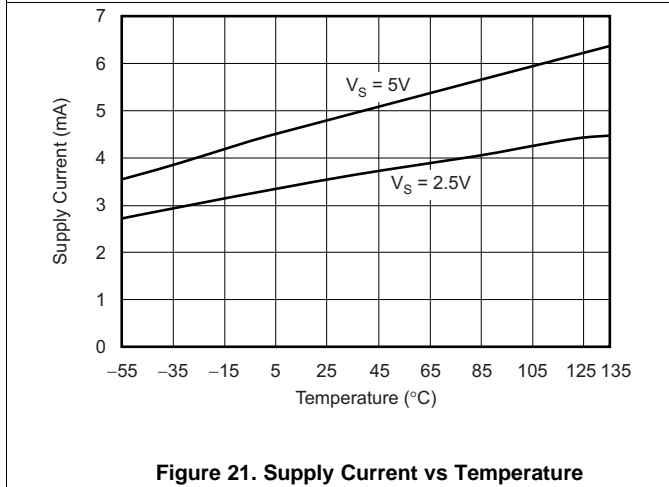
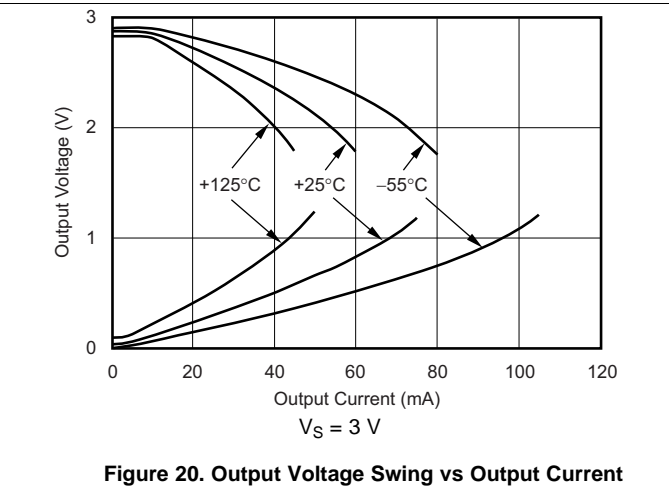
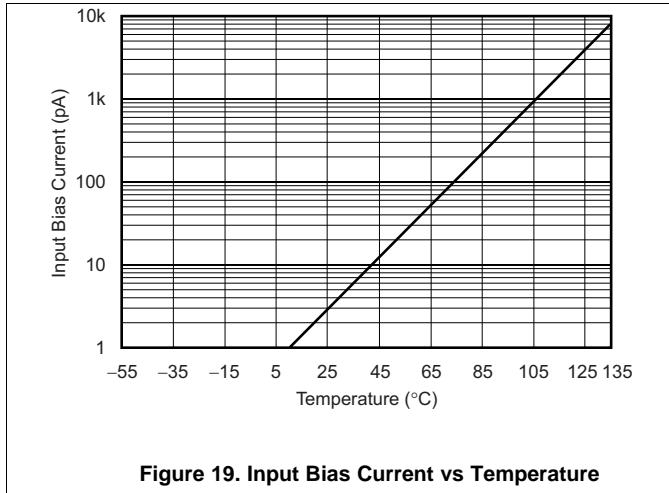


Figure 18. Composite Video Differential Gain and Phase

Typical Characteristics (continued)

at  $T_A = 25^\circ\text{C}$ ,  $V_S = 5\text{ V}$ ,  $G = +1$ ,  $R_F = 0\ \Omega$ ,  $R_L = 1\ \text{k}\Omega$ , and connected to  $V_S / 2$ , (unless otherwise noted)



Typical Characteristics (continued)

at  $T_A = 25^\circ\text{C}$ ,  $V_S = 5\text{ V}$ ,  $G = +1$ ,  $R_F = 0\ \Omega$ ,  $R_L = 1\ \text{k}\Omega$ , and connected to  $V_S / 2$ , (unless otherwise noted)

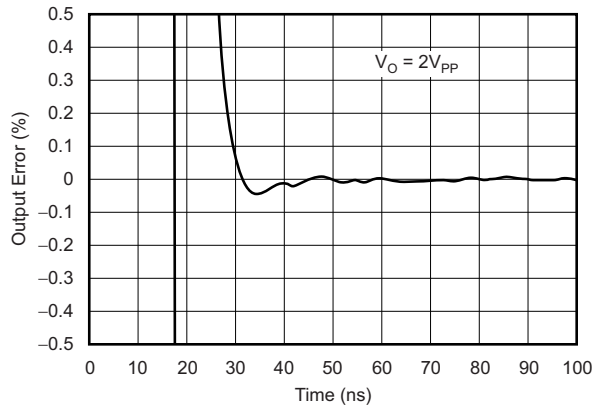


Figure 25. Output Settling Time to 0.1%

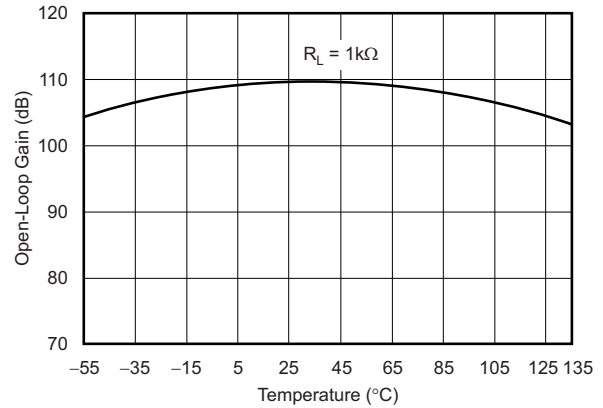


Figure 26. Open-Loop Gain vs Temperature

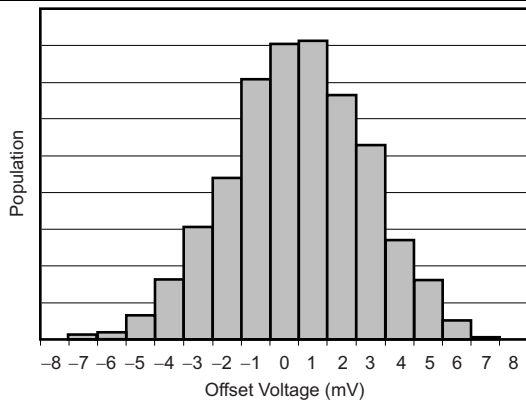


Figure 27. Offset Voltage Production Distribution

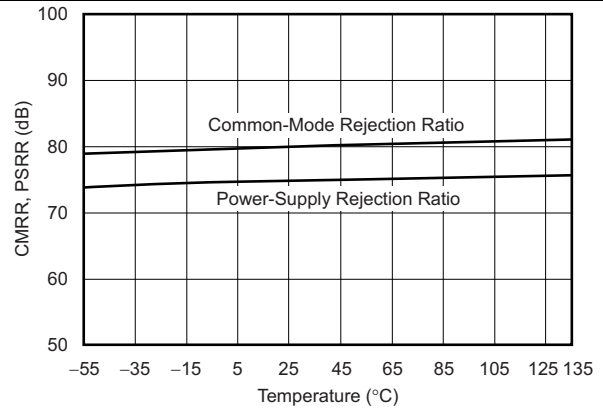


Figure 28. Common-Mode Rejection Ratio and Power-Supply Rejection Ratio vs Temperature

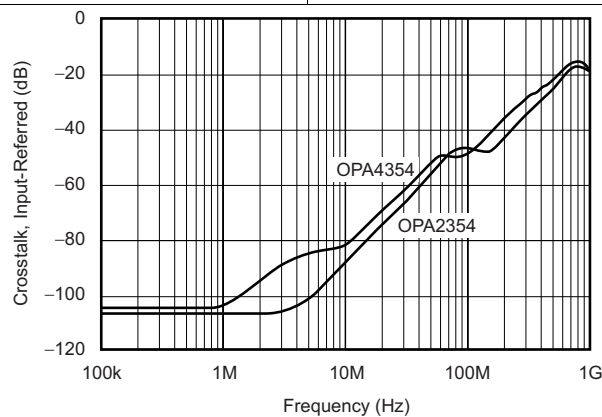


Figure 29. Channel-to-Channel Crosstalk

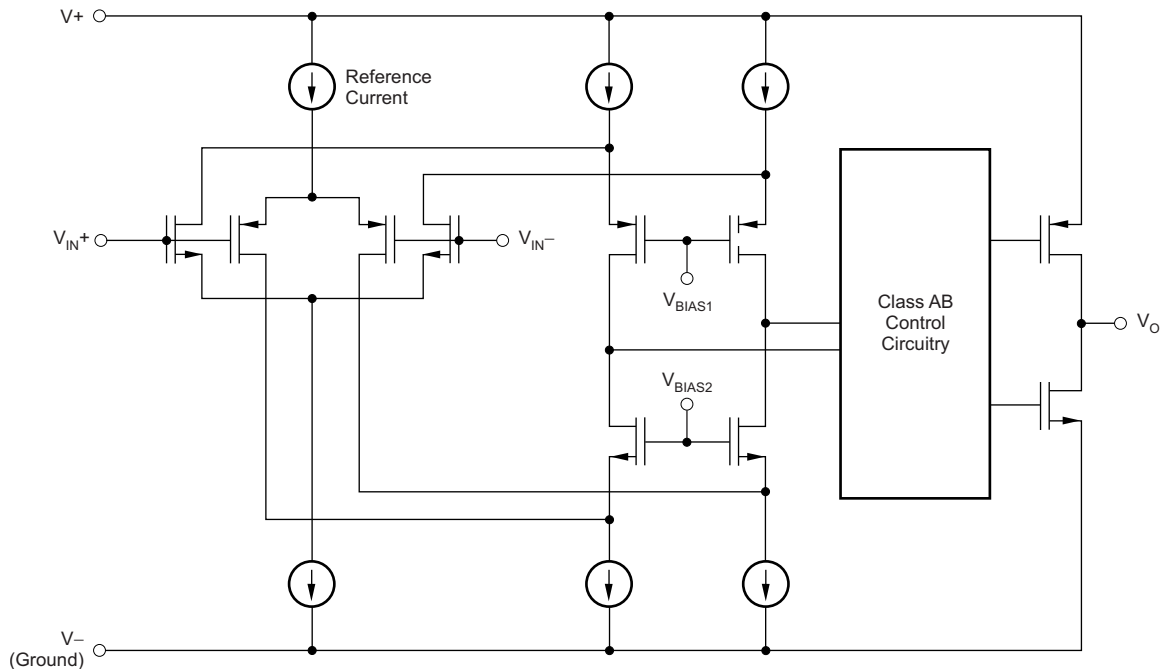
## 8 Detailed Description

### 8.1 Overview

The OPAx354 is a CMOS, rail-to-rail I/O, high-speed, voltage-feedback operational amplifier designed for video, high-speed, and other applications. It is available as a single, dual, or quad op amp.

The amplifier features a 100-MHz gain bandwidth, and 150-V/ $\mu$ s slew rate, but the amplifier is unity-gain stable and can operate as a 1-V/V voltage follower.

### 8.2 Functional Block Diagram



## 8.3 Feature Description

### 8.3.1 Operating Voltage

The OPAX354 is specified over a power-supply range of 2.7 V to 5.5 V ( $\pm 1.35$  V to  $\pm 2.75$  V). However, the supply voltage may range from 2.5 V to 5.5 V ( $\pm 1.25$  V to  $\pm 2.75$  V). Supply voltages higher than 7.5 V (absolute maximum) can permanently damage the amplifier.

Parameters that vary over supply voltage or temperature are shown in the [Typical Characteristics](#) section of this data sheet.

### 8.3.2 Rail-to-Rail Input

The specified input common-mode voltage range of the OPAX354 extends 100 mV beyond the supply rails. This extended range is achieved with a complementary input stage: an N-channel input differential pair in parallel with a P-channel differential pair, as shown in the [Functional Block Diagram](#). The N-channel pair is active for input voltages close to the positive rail, typically  $(V+) - 1.2$  V to 100 mV above the positive supply, while the P-channel pair is on for inputs from 100 mV below the negative supply to approximately  $(V+) - 1.2$  V. There is a small transition region, typically  $(V+) - 1.5$  V to  $(V+) - 0.9$  V, in which both pairs are on. This 600-mV transition region vary  $\pm 500$  mV with process variation. Therefore, the transition region (both input stages on) range from  $(V+) - 2$  V to  $(V+) - 1.5$  V on the low end, up to  $(V+) - 0.9$  V to  $(V+) - 0.4$  V on the high end.

A double-folded cascode adds the signal from the two input pairs and presents a differential signal to the class AB output stage.

### 8.3.3 Rail-to-Rail Output

A class AB output stage with common-source transistors achieves rail-to-rail output. For high-impedance loads ( $> 200 \Omega$ ), the output voltage swing is typically 100 mV from the supply rails. With 10- $\Omega$  loads, a useful output swing is achieved while maintaining high open-loop gain. See the typical characteristic curves, [Output Voltage Swing vs Output Current](#) (Figure 20 and Figure 22).

### 8.3.4 Output Drive

The OPAX354 output stage supplies a continuous output current of  $\pm 100$  mA and yet provide approximately 2.7 V of output swing on a 5-V supply, as shown in Figure 30. For maximum reliability, TI does not recommend running a continuous DC current in excess of  $\pm 100$  mA. See the typical characteristic curves, [Output Voltage Swing vs Output Current](#) (Figure 20 and Figure 22). For supplying continuous output currents greater than  $\pm 100$  mA, the OPAX354 may be operated in parallel, as shown in Figure 31.

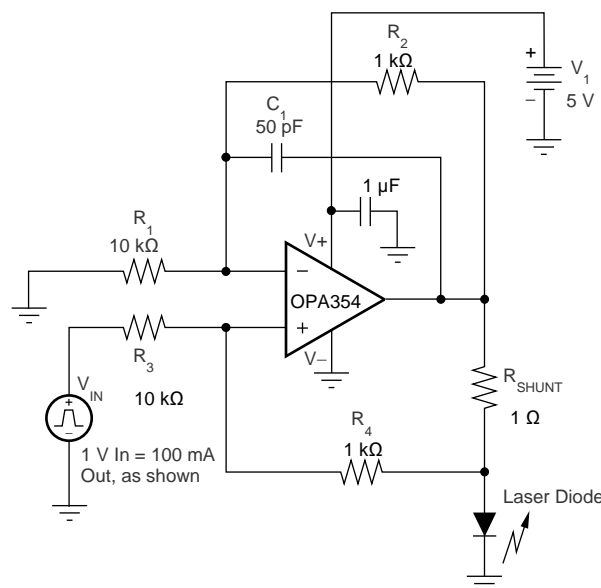


Figure 30. Laser Diode Driver

### Feature Description (continued)

The OPAX354 provides peak currents up to 200 mA, which corresponds to the typical short-circuit current. Therefore, an on-chip thermal shutdown circuit is provided to protect the OPAX354 from dangerously high junction temperatures. At 160°C, the protection circuit shuts down the amplifier. Normal operation resumes when the junction temperature cools to below 140°C.

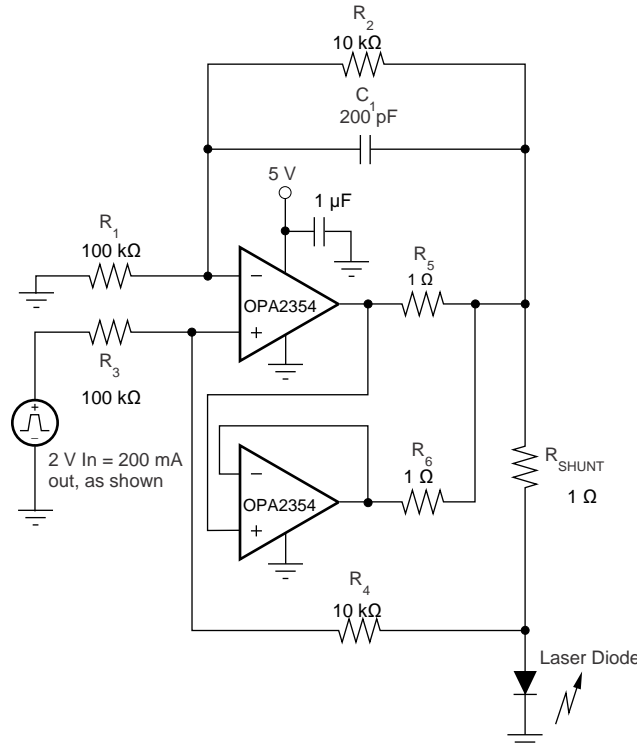


Figure 31. Parallel Operation

### 8.3.5 Video

The OPAX354 output stage is capable of driving standard back-terminated 75-Ω video cables, as shown in Figure 32. By back-terminating a transmission line, the output stage does not exhibit a capacitive load to the driver. A properly back-terminated 75-Ω cable does not appear as capacitance; the cable presents a 150-Ω resistive load to the OPAX354 output.

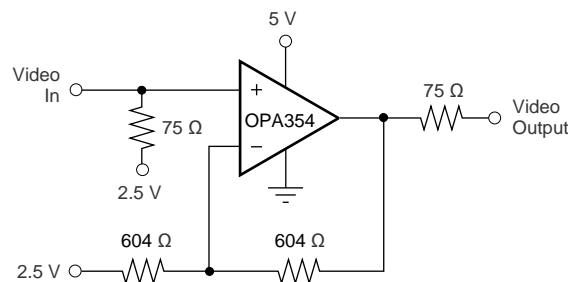
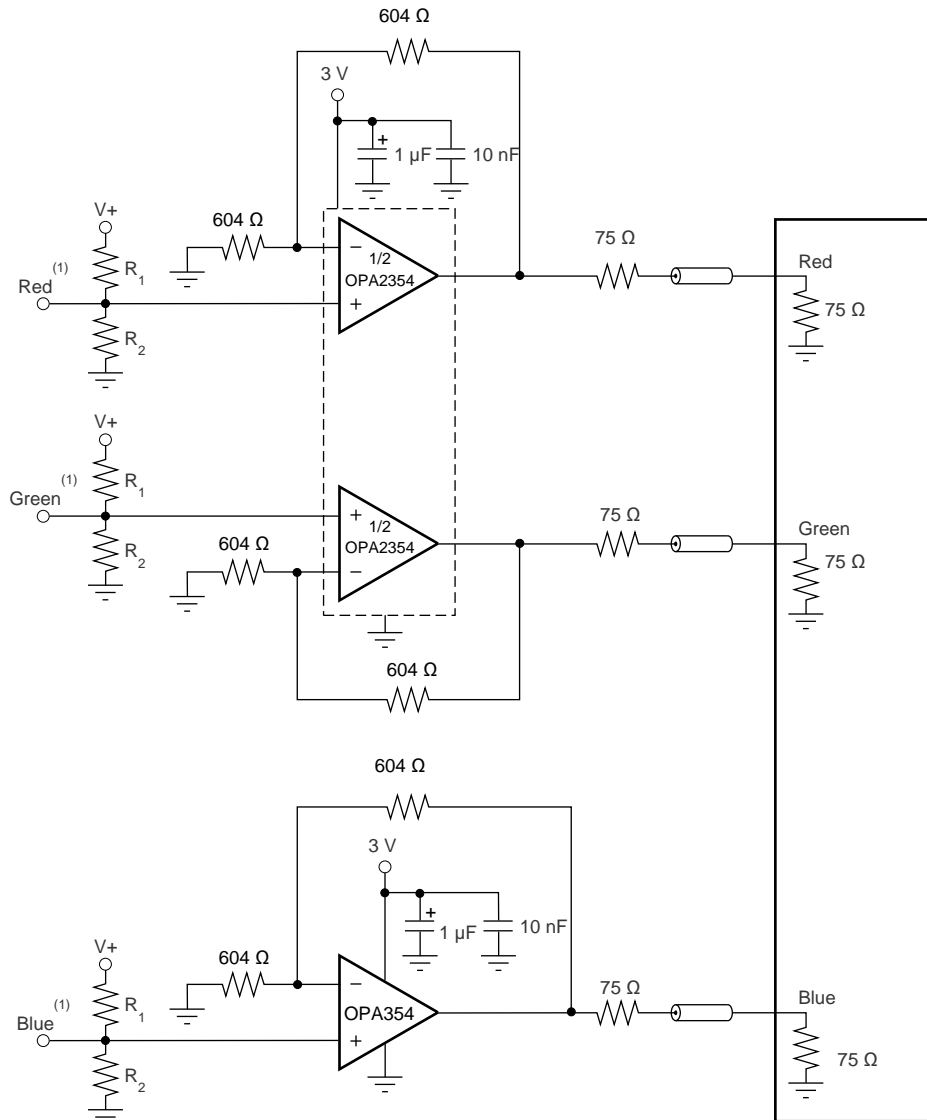


Figure 32. Single-Supply Video Line Driver

The OPAX354 is used as an amplifier for RGB graphic signals, which feature a voltage of zero at the video black level, by offsetting and AC-coupling the signal. See Figure 33.

Feature Description (continued)



(1) Source video signal offset 300 mV above ground to accommodate op amp swing-to-ground capability.

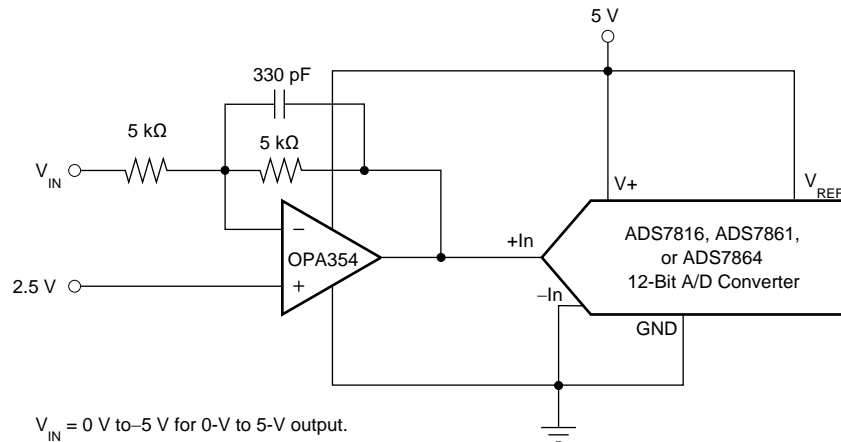
Figure 33. RGB Cable Driver

## Feature Description (continued)

### 8.3.6 Driving Analog-to-Digital converters

The OPAx354 series op amps offer 60 ns of settling time to 0.01%, making the series a good choice for driving high- and medium-speed sampling A/D converters and reference circuits. The OPAx354 series provide an effective means of buffering the A/D converter input capacitance and resulting charge injection while providing signal gain. For applications requiring high DC accuracy, the [OPA350 series](#) is recommended.

Figure 34 shows the OPAx354 driving an A/D converter. With the OPAx354 in an inverting configuration, a capacitor across the feedback resistor is used to filter high-frequency noise in the signal.



A/D converter input = 0 V to  $V_{REF}$

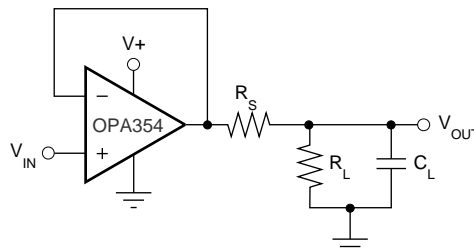
**Figure 34. The OPAx354 in Inverting Configuration Driving the ADS7816**

### 8.3.7 Capacitive Load and Stability

The OPAx354 series op amps drives a wide range of capacitive loads. However, all op amps may become unstable under certain conditions. Op amp configuration, gain, and load value are just a few of the factors to consider when determining stability. An op amp in unity-gain configuration is most susceptible to the effects of capacitive loading. The capacitive load reacts with the device output resistance, along with any additional load resistance, to create a pole in the small-signal response that degrades the phase margin. See the *Frequency Response for Various  $C_L$*  typical characteristic curve (Figure 13) for details.

The OPAx354 topology enhances its ability to drive capacitive loads. In unity gain, these op amps perform well with large capacitive loads. See the *Recommended  $R_S$  vs Capacitive Load* (Figure 14) and *Frequency Response vs Capacitive Load* (Figure 15) typical characteristic curves for details.

One method of improving capacitive load drive in the unity-gain configuration is to insert a 10- $\Omega$  to 20- $\Omega$  resistor in series with the output, as shown in Figure 35. This configuration significantly reduces ringing with large capacitive loads; see the *Frequency Response vs Capacitive Load* typical characteristic curve (Figure 15). However, if there is a resistive load in parallel with the capacitive load,  $R_S$  creates a voltage divider. This voltage division introduces a DC error at the output and slightly reduces output swing. This error may be insignificant. For instance, with  $R_L = 10\text{ k}\Omega$  and  $R_S = 20\ \Omega$ , there is an error of approximately 0.2% at the output.



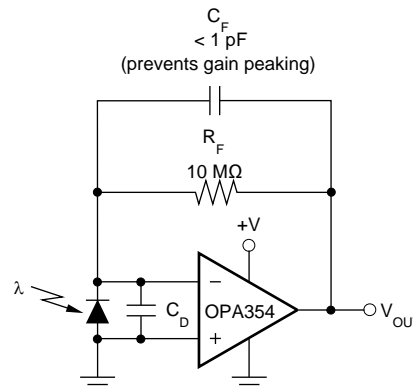
**Figure 35. Series Resistor in Unity-Gain Configuration Improves Capacitive Load Drive**

## Feature Description (continued)

### 8.3.8 Wideband Transimpedance Amplifier

Wide bandwidth, low input bias current, low input voltage, and current noise make the OPAx354 a preferred wideband photodiode transimpedance amplifier for low-voltage single-supply applications. Low-voltage noise is important because photodiode capacitance causes the effective noise gain of the circuit to increase at high frequency.

The key elements to a transimpedance design (as shown in [Figure 36](#)) are the expected diode capacitance [including the parasitic input common-mode and differential-mode input capacitance (2 + 2) pF for the OPAx354], the desired transimpedance gain ( $R_F$ ), and the gain-bandwidth product (GBW) for the OPAx354 (100 MHz, typical). With these three variables set, the feedback capacitor value ( $C_F$ ) may be set to control the frequency response.



**Figure 36. Transimpedance Amplifier**

To achieve a maximally flat, second-order, Butterworth frequency response, the feedback pole must be set as shown in [Equation 1](#):

$$\frac{1}{2\pi R_F C_F} = \sqrt{\frac{\text{GBP}}{4\pi R_F C_D}} \quad (1)$$

Typical surface-mount resistors have a parasitic capacitance of approximately 0.2 pF that must be deducted from the calculated feedback capacitance value. Bandwidth is calculated by [Equation 2](#):

$$f_{-3\text{dB}} = \sqrt{\frac{\text{GBP}}{2\pi R_F C_D}} \text{ Hz} \quad (2)$$

For even higher transimpedance bandwidth, the high-speed CMOS [OPA355](#) (200-MHz GBW) or the [OPA655](#) (400-MHz GBW) may be used.

## 8.4 Device Functional Modes

The OPAx354 family of devices is powered on when the supply is connected. The devices can operate as single-supply operational amplifiers or dual-supply amplifiers depending on the application. The devices are used with asymmetrical supplies as long as the differential voltage ( $V_-$  to  $V_+$ ) is at least 1.8 V and no greater than 5.5 V (example:  $V_-$  set to  $-3.5$  V and  $V_+$  set to 1.5 V).

## 9 Application and Implementation

### NOTE

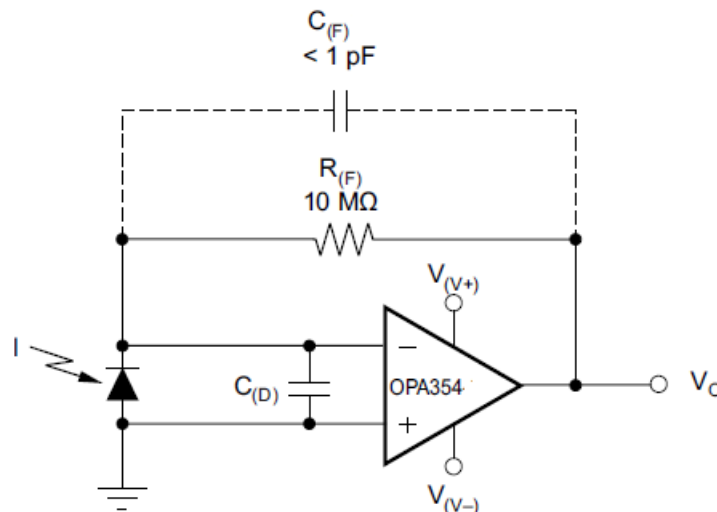
Information in the following applications sections is not part of the TI component specification, and TI does not warrant its accuracy or completeness. TI's customers are responsible for determining suitability of components for their purposes. Customers should validate and test their design implementation to confirm system functionality.

### 9.1 Application Information

The OPAx354 family of devices is a CMOS, rail-to-rail I/O, high-speed, voltage-feedback operational amplifier designed for video, high-speed, and other applications. The OPAx354 family of devices is available as a single, dual, or quad op amp. The amplifier features a 100-MHz gain bandwidth, and 150-V/ $\mu$ s slew rate, but it is unity-gain stable and operates as a 1-V/V voltage follower.

### 9.2 Typical Application

Wide gain bandwidth, low input bias current, low input voltage, and current noise make the OPAx354 family of devices an ideal wideband photodiode transimpedance amplifier. Low-voltage noise is important because photodiode capacitance causes the effective noise gain of the circuit to increase at high frequency. The key elements to a transimpedance design, as shown in Figure 37, are the expected diode capacitance, (which include the parasitic input common-mode and differential-mode input capacitance) the desired transimpedance gain, and the gain-bandwidth (GBW) for the OPAx354 family of devices (20 MHz). With these three variables set, the feedback capacitor value is set to control the frequency response. Feedback capacitance includes the stray capacitance, which is 0.2 pF for a typical surface-mount resistor.



**Figure 37. Dual-Supply Transimpedance Amplifier**

#### 9.2.1 Design Requirements

For this design example, use the parameters listed in Table 1 as the input parameters.

**Table 1. Design Parameters**

| PARAMETER                  | EXAMPLE VALUE |
|----------------------------|---------------|
| Supply voltage, $V_{(V+)}$ | 2.5 V         |
| Supply voltage, $V_{(V-)}$ | -2.5 V        |

$C_{(F)}$  is optional to prevent gain peaking.  $C_{(F)}$  includes the stray capacitance of  $R_{(F)}$ .

### 9.2.2 Detailed Design Procedure

To achieve a maximally-flat, second-order Butterworth frequency response, set the feedback pole using Equation 3.

$$\frac{1}{2 \times \pi \times R_{(F)} \times C_{(F)}} = \sqrt{\frac{GBW}{4 \times \pi \times R_{(F)} \times C_{(D)}}} \tag{3}$$

Calculate the bandwidth using Equation 4.

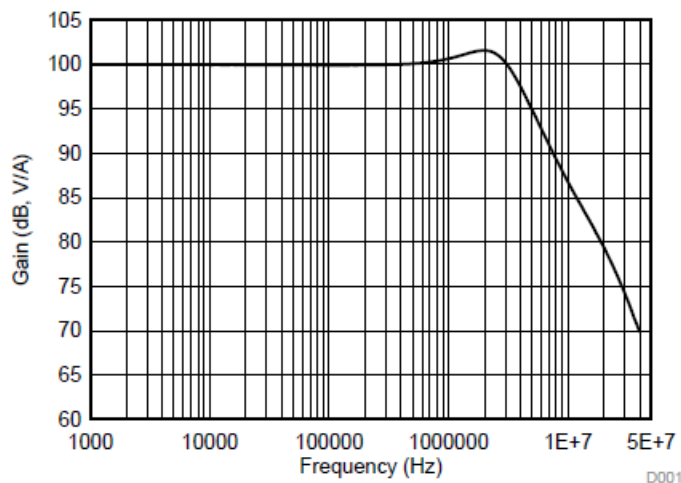
$$f_{(-3 \text{ dB})} = \sqrt{\frac{GBW}{2 \times \pi \times R_{(F)} \times C_{(D)}}} \tag{4}$$

#### 9.2.2.1 Optimizing the Transimpedance Circuit

To achieve the best performance, components must be selected according to the following guidelines:

1. For lowest noise, select  $R_{(F)}$  to create the total required gain. Using a lower value for  $R_{(F)}$  and adding gain after the transimpedance amplifier generally produces poorer noise performance. The noise produced by  $R_{(F)}$  increases with the square-root of  $R_{(F)}$ , whereas the signal increases linearly. Therefore, signal-to-noise ratio improves when all the required gain is placed in the transimpedance stage.
2. Minimize photodiode capacitance and stray capacitance at the summing junction (inverting input). This capacitance causes the voltage noise of the op amp to amplify (increasing amplification at high frequency). Using a low-noise voltage source to reverse-bias a photodiode reduce the capacitance. Smaller photodiodes have lower capacitance. Use optics to concentrate light on a small photodiode.
3. Noise increases with increased bandwidth. Limit the circuit bandwidth to only the required bandwidth. Use a capacitor across the  $R_{(F)}$  to limit bandwidth, even if a capacitor not required for stability.
4. Circuit board leakage degrades the performance of an otherwise well-designed amplifier. Clean the circuit board carefully. A circuit board guard trace that encircles the summing junction and is driven at the same voltage helps control leakage.

### 9.2.3 Application Curve



**Figure 38. AC Transfer Function**

## 10 Power Supply Recommendations

The OPAx354 family of devices is specified for operation from 2.5 V to 5.5 V ( $\pm 1.25$  to  $\pm 2.75$  V); many specifications apply from  $-40^{\circ}\text{C}$  to  $+125^{\circ}\text{C}$ . Parameters that exhibit significant variance with regard to operating voltage or temperature are shown [Typical Characteristics](#).

Place 0.1- $\mu\text{F}$  bypass capacitors close to the power-supply pins to reduce errors coupling in from noisy or high impedance power supplies. For more detailed information on bypass capacitor placement, see the [Layout Guidelines](#) section..

## 11 Layout

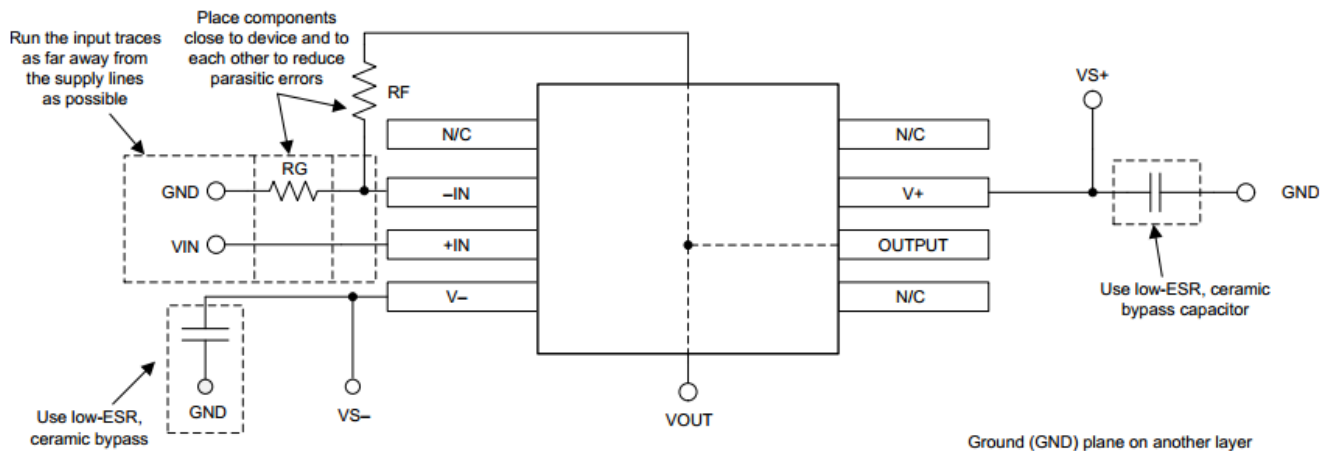
### 11.1 Layout Guidelines

Good high-frequency printed-circuit board (PCB) layout techniques must be employed for the OPAx354. Generous use of ground planes, short and direct signal traces, and a suitable bypass capacitor located at the V+ pin ensure clean, stable operation. Large areas of copper provides a means of dissipating heat that is generated in normal operation.

TI does not recommend using sockets with any high-speed amplifier.

A 10-nF ceramic bypass capacitor is the minimum recommended value; adding a 1- $\mu\text{F}$  or larger tantalum capacitor in parallel is beneficial when driving a low-resistance load. Providing adequate bypass capacitance is essential to achieving low harmonic and intermodulation distortion.

### 11.2 Layout Example



**Figure 39. Operational Amplifier Board Layout for Noninverting Configuration**

### 11.3 Power Dissipation

Power dissipation depends on power-supply voltage, signal and load conditions. With DC signals, power dissipation is equal to the product of output current times the voltage across the conducting output transistor,  $V_S - V_O$ . Power dissipation is minimized by using the lowest possible power-supply voltage necessary to assure the required output voltage swing.

For resistive loads, the maximum power dissipation occurs at a DC output voltage of one-half the power-supply voltage. Dissipation with AC signals is lower. [AB-039 Power Amplifier Stress and Power Handling Limitations](#) explains how to calculate or measure power dissipation with unusual signals and loads. See [www.ti.com](http://www.ti.com) for more details.

## Power Dissipation (continued)

Any tendency to activate the thermal protection circuit indicates excessive power dissipation or an inadequate heat sink. For reliable operation, junction temperature must be limited to 150°C (maximum.) To estimate the margin of safety in a complete design, increase the ambient temperature until the thermal protection is triggered at 160°C. The thermal protection must trigger more than 35°C above the maximum expected ambient condition of the application.

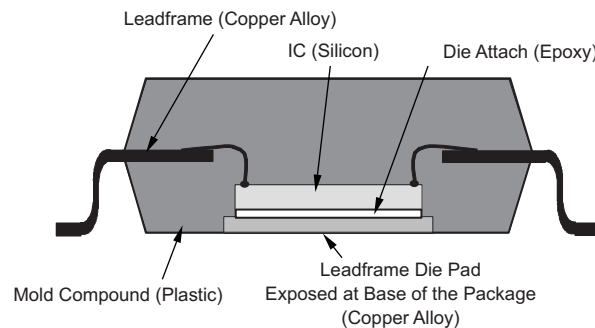
### 11.4 PowerPAD Thermally-Enhanced Package

In addition to the regular 5-pin SOT-23 and 9-pin VSSOP packages, the single and dual versions of the OPAx354 also come in an 8-pin SOIC PowerPAD package. The 98-pin SO with PowerPAD is a standard size 8-pin SOIC package where the exposed leadframe on the bottom of the package is soldered directly to the PCB to create a low thermal resistance. This direct attachment enhances the OPAx354 power dissipation capability significantly, and eliminates the use of bulky heat sinks and slugs that are traditionally used in thermal packages. This package is easily mounted using standard PCB assembly techniques.

#### NOTE

Because the 8-pin HSOP PowerPAD is pin-compatible with standard 8-pin SOIC packages, the OPA354 and OPA2354 can directly replace operational amplifiers in existing sockets. Soldering the PowerPAD to the PCB is always required, even with applications that have low power dissipation. This configuration provides the necessary thermal and mechanical connection between the leadframe die pad and the PCB.

The PowerPAD package is designed so that the leadframe die pad (or thermal pad) is exposed on the bottom of the device, as shown in [Figure 40](#). This exposed die provides an extremely low thermal resistance ( $R_{\theta JC}$ ) path between the die and the exterior of the package. The thermal pad on the bottom of the device can then be soldered directly to the PCB, using the PCB as a heat sink. In addition, plated-through holes (vias) provide a low thermal resistance heat flow path to the back side of the PCB.



**Figure 40. Section View of a PowerPAD Package**

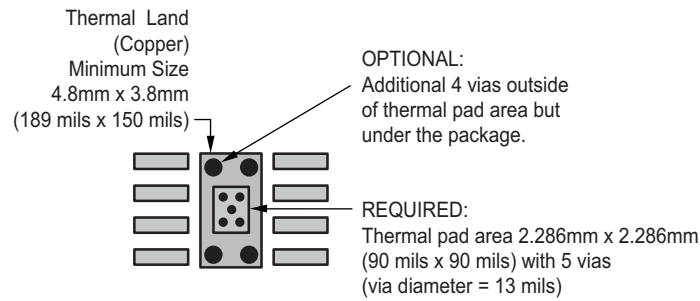
### 11.5 PowerPAD Assembly Process

The PowerPAD must be connected to the most negative supply voltage for the device, which is ground in single-supply applications and  $V_-$  in split-supply applications.

Prepare the PCB with a top-side etch pattern, as shown in [Figure 41](#). The exact land design may vary based on the specific assembly process requirements. There must be etch for the leads and etch for the thermal land.

Place the recommended number of plated-through holes (or thermal vias) in the area of the thermal pad. These holes must be 13 mils (.013 in) in diameter. The holes are small so that solder wicking through the holes is not a problem during reflow. TI recommends a minimum of five holes for the 8-pin HSOP PowerPAD package, as shown in [Figure 41](#).

## PowerPAD Assembly Process (continued)

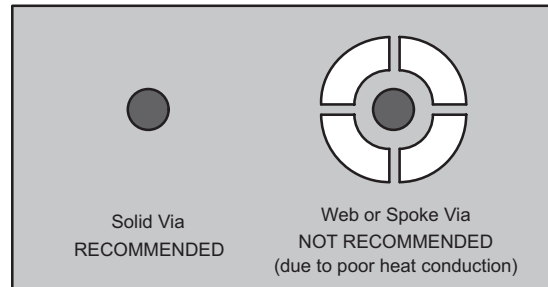


**Figure 41. 8-Pin PowerPAD PCB Etch and Via Pattern**

TI recommends, but does not require, placing a small number of additional holes under the package and outside the thermal pad area. These holes provide additional heat paths between the copper thermal land and the ground plane. The holes may be larger because the holes are not in the area to be soldered, so wicking is not a problem. This technique is shown in [Figure 41](#).

Connect all holes, including those within the thermal pad area and outside the pad area, to the internal ground plane or other internal copper plane for single-supply applications, and to V- for split-supply applications.

When laying out these holes, do not use the typical web or spoke via connection methodology, as shown in [Figure 42](#). Web connections have a high thermal resistance connection that is useful for slowing the heat transfer during soldering operations. This feature makes soldering the vias that have ground plane connections easier. However, in this application, low thermal resistance is desired for the most efficient heat transfer. Therefore, the holes under the PowerPAD package must make connection to the internal ground plane with a complete connection around the entire circumference of the plated-through hole.



**Figure 42. Via Connection**

The top-side solder mask must leave the pad connections and the thermal pad area exposed. The thermal pad area must leave the 13-mil holes exposed. The larger holes outside the thermal pad area may be covered with a solder mask.

Apply solder paste to the exposed thermal pad area and all of the package pins.

With these preparatory steps in place, the PowerPAD device is placed in position and run through the solder reflow operation as any standard surface-mount component. This preparation and processing results in a part that is properly installed.

For detailed information on the PowerPAD package, including thermal modeling considerations and repair procedures, see [PowerPAD Thermally Enhanced Package](#) on [www.ti.com](http://www.ti.com).

## 12 Device and Documentation Support

### 12.1 Documentation Support

For related documentation see the following:

- Texas Instruments, [ADS8326 16-Bit, High-Speed, 2.7V to 5.5V microPower Sampling ANALOG-TO-DIGITAL CONVERTER](#)
- Texas Instruments, [Circuit Board Layout Techniques](#)
- Texas Instruments, [Compensate Transimpedance Amplifiers Intuitively](#)
- Texas Instruments, [FilterPro™ User's Guide](#)
- Texas Instruments, [Noise Analysis for High-Speed Op Amps](#)
- Texas Instruments, [OPA380 and OPA2380 Precision, High-Speed Transimpedance Amplifier](#)
- Texas Instruments, [OPA355, OPA2355, and OPA3355 200MHz, CMOS OPERATIONAL AMPLIFIER WITH SHUTDOWN](#)
- Texas Instruments, [OPA656 Wideband, Unity-Gain Stable, FET-Input OPERATIONAL AMPLIFIER](#)
- Texas Instruments, [POWER AMPLIFIER STRESS AND POWER HANDLING LIMITATIONS](#)
- Texas Instruments, [PowerPAD Thermally Enhanced Package](#)

### 12.2 Related Links

[Table 2](#) lists quick access links. Categories include technical documents, support and community resources, tools and software, and quick access to sample or buy.

**Table 2. Related Links**

| PARTS   | PRODUCT FOLDER             | ORDER NOW                  | TECHNICAL DOCUMENTS        | TOOLS & SOFTWARE           | SUPPORT & COMMUNITY        |
|---------|----------------------------|----------------------------|----------------------------|----------------------------|----------------------------|
| OPA354  | <a href="#">Click here</a> | <a href="#">Click here</a> | <a href="#">Click here</a> | <a href="#">Click here</a> | <a href="#">Click here</a> |
| OPA2354 | <a href="#">Click here</a> | <a href="#">Click here</a> | <a href="#">Click here</a> | <a href="#">Click here</a> | <a href="#">Click here</a> |
| OPA4354 | <a href="#">Click here</a> | <a href="#">Click here</a> | <a href="#">Click here</a> | <a href="#">Click here</a> | <a href="#">Click here</a> |

### 12.3 Receiving Notification of Documentation Updates

To receive notification of documentation updates, navigate to the device product folder on [ti.com](http://ti.com). In the upper right corner, click on *Alert me* to register and receive a weekly digest of any product information that has changed. For change details, review the revision history included in any revised document.

### 12.4 Community Resources

The following links connect to TI community resources. Linked contents are provided "AS IS" by the respective contributors. They do not constitute TI specifications and do not necessarily reflect TI's views; see TI's [Terms of Use](#).

**TI E2E™ Online Community** *TI's Engineer-to-Engineer (E2E) Community*. Created to foster collaboration among engineers. At [e2e.ti.com](http://e2e.ti.com), you can ask questions, share knowledge, explore ideas and help solve problems with fellow engineers.

**Design Support** *TI's Design Support* Quickly find helpful E2E forums along with design support tools and contact information for technical support.

### 12.5 Trademarks

PowerPAD, E2E are trademarks of Texas Instruments.  
All other trademarks are the property of their respective owners.

### 12.6 Electrostatic Discharge Caution



These devices have limited built-in ESD protection. The leads should be shorted together or the device placed in conductive foam during storage or handling to prevent electrostatic damage to the MOS gates.

## 12.7 Glossary

[SLYZ022](#) — *TI Glossary*.

This glossary lists and explains terms, acronyms, and definitions.

## 13 Mechanical, Packaging, and Orderable Information

The following pages include mechanical, packaging, and orderable information. This information is the most current data available for the designated devices. This data is subject to change without notice and revision of this document. For browser-based versions of this data sheet, refer to the left-hand navigation.

**PACKAGING INFORMATION**

| Orderable part number         | Status<br>(1)    | Material type<br>(2) | Package   Pins        | Package qty   Carrier | RoHS<br>(3) | Lead finish/<br>Ball material<br>(4) | MSL rating/<br>Peak reflow<br>(5) | Op temp (°C) | Part marking<br>(6) |
|-------------------------------|------------------|----------------------|-----------------------|-----------------------|-------------|--------------------------------------|-----------------------------------|--------------|---------------------|
| <a href="#">OPA2354AIDDA</a>  | Active           | Production           | SO PowerPAD (DDA)   8 | 75   TUBE             | Yes         | SN                                   | Level-1-260C-UNLIM                | -40 to 125   | OPA<br>2354A        |
| OPA2354AIDDA.B                | Active           | Production           | SO PowerPAD (DDA)   8 | 75   TUBE             | Yes         | SN                                   | Level-1-260C-UNLIM                | -40 to 125   | OPA<br>2354A        |
| OPA2354AIDDAG3                | Active           | Production           | SO PowerPAD (DDA)   8 | 75   TUBE             | Yes         | SN                                   | Level-1-260C-UNLIM                | -40 to 125   | OPA<br>2354A        |
| <a href="#">OPA2354AIDDAR</a> | Active           | Production           | SO PowerPAD (DDA)   8 | 2500   LARGE T&R      | Yes         | SN                                   | Level-1-260C-UNLIM                | -40 to 125   | OPA<br>2354A        |
| OPA2354AIDDAR.A               | Active           | Production           | SO PowerPAD (DDA)   8 | 2500   LARGE T&R      | Yes         | SN                                   | Level-1-260C-UNLIM                | -40 to 125   | OPA<br>2354A        |
| OPA2354AIDDAR.B               | Active           | Production           | SO PowerPAD (DDA)   8 | 2500   LARGE T&R      | Yes         | SN                                   | Level-1-260C-UNLIM                | -40 to 125   | OPA<br>2354A        |
| OPA2354AIDDARG3               | Active           | Production           | SO PowerPAD (DDA)   8 | 2500   LARGE T&R      | Yes         | SN                                   | Level-1-260C-UNLIM                | -40 to 125   | OPA<br>2354A        |
| <a href="#">OPA2354AIDGKR</a> | Active           | Production           | VSSOP (DGK)   8       | 2500   LARGE T&R      | Yes         | NIPDAU   SN<br>  NIPDAUAG            | Level-2-260C-1 YEAR               | -40 to 125   | OACI                |
| OPA2354AIDGKR.A               | Active           | Production           | VSSOP (DGK)   8       | 2500   LARGE T&R      | Yes         | NIPDAU                               | Level-2-260C-1 YEAR               | -40 to 125   | OACI                |
| OPA2354AIDGKR.B               | Active           | Production           | VSSOP (DGK)   8       | 2500   LARGE T&R      | Yes         | NIPDAU                               | Level-2-260C-1 YEAR               | -40 to 125   | OACI                |
| <a href="#">OPA2354AIDGKT</a> | Active           | Production           | VSSOP (DGK)   8       | 250   SMALL T&R       | Yes         | NIPDAU   SN<br>  NIPDAUAG            | Level-2-260C-1 YEAR               | -40 to 125   | OACI                |
| OPA2354AIDGKT.B               | Active           | Production           | VSSOP (DGK)   8       | 250   SMALL T&R       | Yes         | NIPDAU                               | Level-2-260C-1 YEAR               | -40 to 125   | OACI                |
| OPA2354AIDGKTG4               | Last<br>Time Buy | Production           | VSSOP (DGK)   8       | 250   SMALL T&R       | Yes         | NIPDAUAG                             | Level-2-260C-1 YEAR               | -40 to 125   | OACI                |
| OPA2354AIDGKTG4.B             | Last<br>Time Buy | Production           | VSSOP (DGK)   8       | 250   SMALL T&R       | Yes         | NIPDAUAG                             | Level-2-260C-1 YEAR               | -40 to 125   | OACI                |
| <a href="#">OPA354AIDBVR</a>  | Active           | Production           | SOT-23 (DBV)   5      | 3000   LARGE T&R      | Yes         | NIPDAU                               | Level-2-260C-1 YEAR               | -40 to 125   | OABI                |
| OPA354AIDBVR.A                | Active           | Production           | SOT-23 (DBV)   5      | 3000   LARGE T&R      | Yes         | NIPDAU                               | Level-2-260C-1 YEAR               | -40 to 125   | OABI                |
| OPA354AIDBVR.B                | Active           | Production           | SOT-23 (DBV)   5      | 3000   LARGE T&R      | Yes         | NIPDAU                               | Level-2-260C-1 YEAR               | -40 to 125   | OABI                |
| <a href="#">OPA354AIDBVT</a>  | Active           | Production           | SOT-23 (DBV)   5      | 250   SMALL T&R       | Yes         | NIPDAU                               | Level-2-260C-1 YEAR               | -40 to 125   | OABI                |
| OPA354AIDBVT.B                | Active           | Production           | SOT-23 (DBV)   5      | 250   SMALL T&R       | Yes         | NIPDAU                               | Level-2-260C-1 YEAR               | -40 to 125   | OABI                |
| OPA354AIDBVTG4                | Active           | Production           | SOT-23 (DBV)   5      | 250   SMALL T&R       | Yes         | NIPDAU                               | Level-2-260C-1 YEAR               | -40 to 125   | OABI                |

| Orderable part number        | Status<br>(1) | Material type<br>(2) | Package   Pins        | Package qty   Carrier | RoHS<br>(3) | Lead finish/<br>Ball material<br>(4) | MSL rating/<br>Peak reflow<br>(5) | Op temp (°C) | Part marking<br>(6) |
|------------------------------|---------------|----------------------|-----------------------|-----------------------|-------------|--------------------------------------|-----------------------------------|--------------|---------------------|
| <a href="#">OPA354AIDDA</a>  | Active        | Production           | SO PowerPAD (DDA)   8 | 75   TUBE             | Yes         | SN                                   | Level-1-260C-UNLIM                | -40 to 125   | OPA 354A            |
| OPA354AIDDA.B                | Active        | Production           | SO PowerPAD (DDA)   8 | 75   TUBE             | Yes         | SN                                   | Level-1-260C-UNLIM                | -40 to 125   | OPA 354A            |
| OPA354AIDDAG3                | Active        | Production           | SO PowerPAD (DDA)   8 | 75   TUBE             | Yes         | SN                                   | Level-1-260C-UNLIM                | -40 to 125   | OPA 354A            |
| <a href="#">OPA354AIDDAR</a> | Active        | Production           | SO PowerPAD (DDA)   8 | 2500   LARGE T&R      | Yes         | SN                                   | Level-1-260C-UNLIM                | -40 to 125   | OPA 354A            |
| OPA354AIDDAR.A               | Active        | Production           | SO PowerPAD (DDA)   8 | 2500   LARGE T&R      | Yes         | SN                                   | Level-1-260C-UNLIM                | -40 to 125   | OPA 354A            |
| OPA354AIDDAR.B               | Active        | Production           | SO PowerPAD (DDA)   8 | 2500   LARGE T&R      | Yes         | SN                                   | Level-1-260C-UNLIM                | -40 to 125   | OPA 354A            |
| <a href="#">OPA4354AID</a>   | Active        | Production           | SOIC (D)   14         | 50   TUBE             | Yes         | NIPDAU                               | Level-2-260C-1 YEAR               | -40 to 125   | OPA4354A            |
| OPA4354AID.B                 | Active        | Production           | SOIC (D)   14         | 50   TUBE             | Yes         | NIPDAU                               | Level-2-260C-1 YEAR               | -40 to 125   | OPA4354A            |
| <a href="#">OPA4354AIDR</a>  | Active        | Production           | SOIC (D)   14         | 2500   LARGE T&R      | Yes         | NIPDAU                               | Level-2-260C-1 YEAR               | -40 to 125   | OPA4354A            |
| OPA4354AIDR.A                | Active        | Production           | SOIC (D)   14         | 2500   LARGE T&R      | Yes         | NIPDAU                               | Level-2-260C-1 YEAR               | -40 to 125   | OPA4354A            |
| OPA4354AIDR.B                | Active        | Production           | SOIC (D)   14         | 2500   LARGE T&R      | Yes         | NIPDAU                               | Level-2-260C-1 YEAR               | -40 to 125   | OPA4354A            |
| OPA4354AIDRG4                | Last Time Buy | Production           | SOIC (D)   14         | 2500   LARGE T&R      | Yes         | NIPDAU                               | Level-2-260C-1 YEAR               | -40 to 125   | OPA4354A            |
| OPA4354AIDRG4.B              | Last Time Buy | Production           | SOIC (D)   14         | 2500   LARGE T&R      | Yes         | NIPDAU                               | Level-2-260C-1 YEAR               | -40 to 125   | OPA4354A            |
| <a href="#">OPA4354AIPWR</a> | Active        | Production           | TSSOP (PW)   14       | 2500   LARGE T&R      | Yes         | Call TI   Nipdau                     | Level-2-260C-1 YEAR               | -40 to 125   | OPA 4354A           |
| OPA4354AIPWR.A               | Active        | Production           | TSSOP (PW)   14       | 2500   LARGE T&R      | Yes         | Call TI                              | Level-2-260C-1 YEAR               | -40 to 125   | OPA 4354A           |
| OPA4354AIPWR.B               | Active        | Production           | TSSOP (PW)   14       | 2500   LARGE T&R      | Yes         | Call TI                              | Level-2-260C-1 YEAR               | -40 to 125   | OPA 4354A           |
| OPA4354AIPWRG4               | Active        | Production           | TSSOP (PW)   14       | 2500   LARGE T&R      | Yes         | Call TI                              | Level-2-260C-1 YEAR               | -40 to 125   | OPA 4354A           |
| <a href="#">OPA4354AIPWT</a> | Active        | Production           | TSSOP (PW)   14       | 250   SMALL T&R       | Yes         | NIPDAU                               | Level-2-260C-1 YEAR               | -40 to 125   | OPA 4354A           |
| OPA4354AIPWT.B               | Active        | Production           | TSSOP (PW)   14       | 250   SMALL T&R       | Yes         | NIPDAU                               | Level-2-260C-1 YEAR               | -40 to 125   | OPA 4354A           |

(1) Status: For more details on status, see our [product life cycle](#).

- (2) **Material type:** When designated, preproduction parts are prototypes/experimental devices, and are not yet approved or released for full production. Testing and final process, including without limitation quality assurance, reliability performance testing, and/or process qualification, may not yet be complete, and this item is subject to further changes or possible discontinuation. If available for ordering, purchases will be subject to an additional waiver at checkout, and are intended for early internal evaluation purposes only. These items are sold without warranties of any kind.
- (3) **RoHS values:** Yes, No, RoHS Exempt. See the [TI RoHS Statement](#) for additional information and value definition.
- (4) **Lead finish/Ball material:** Parts may have multiple material finish options. Finish options are separated by a vertical ruled line. Lead finish/Ball material values may wrap to two lines if the finish value exceeds the maximum column width.
- (5) **MSL rating/Peak reflow:** The moisture sensitivity level ratings and peak solder (reflow) temperatures. In the event that a part has multiple moisture sensitivity ratings, only the lowest level per JEDEC standards is shown. Refer to the shipping label for the actual reflow temperature that will be used to mount the part to the printed circuit board.
- (6) **Part marking:** There may be an additional marking, which relates to the logo, the lot trace code information, or the environmental category of the part.

Multiple part markings will be inside parentheses. Only one part marking contained in parentheses and separated by a "~" will appear on a part. If a line is indented then it is a continuation of the previous line and the two combined represent the entire part marking for that device.

**Important Information and Disclaimer:** The information provided on this page represents TI's knowledge and belief as of the date that it is provided. TI bases its knowledge and belief on information provided by third parties, and makes no representation or warranty as to the accuracy of such information. Efforts are underway to better integrate information from third parties. TI has taken and continues to take reasonable steps to provide representative and accurate information but may not have conducted destructive testing or chemical analysis on incoming materials and chemicals. TI and TI suppliers consider certain information to be proprietary, and thus CAS numbers and other limited information may not be available for release.

In no event shall TI's liability arising out of such information exceed the total purchase price of the TI part(s) at issue in this document sold by TI to Customer on an annual basis.

**OTHER QUALIFIED VERSIONS OF OPA4354 :**

- Automotive : [OPA4354-Q1](#)

NOTE: Qualified Version Definitions:

- Automotive - Q100 devices qualified for high-reliability automotive applications targeting zero defects

**TAPE AND REEL INFORMATION**

**QUADRANT ASSIGNMENTS FOR PIN 1 ORIENTATION IN TAPE**


\*All dimensions are nominal

| Device          | Package Type | Package Drawing | Pins | SPQ  | Reel Diameter (mm) | Reel Width W1 (mm) | A0 (mm) | B0 (mm) | K0 (mm) | P1 (mm) | W (mm) | Pin1 Quadrant |
|-----------------|--------------|-----------------|------|------|--------------------|--------------------|---------|---------|---------|---------|--------|---------------|
| OPA2354AIDDAR   | SO PowerPAD  | DDA             | 8    | 2500 | 330.0              | 12.4               | 6.4     | 5.2     | 2.1     | 8.0     | 12.0   | Q1            |
| OPA2354AIDGKR   | VSSOP        | DGK             | 8    | 2500 | 330.0              | 12.4               | 5.3     | 3.4     | 1.4     | 8.0     | 12.0   | Q1            |
| OPA2354AIDGKR   | VSSOP        | DGK             | 8    | 2500 | 330.0              | 12.4               | 5.25    | 3.35    | 1.25    | 8.0     | 12.0   | Q1            |
| OPA2354AIDGKR   | VSSOP        | DGK             | 8    | 2500 | 330.0              | 12.4               | 5.3     | 3.4     | 1.4     | 8.0     | 12.0   | Q1            |
| OPA2354AIDGKT   | VSSOP        | DGK             | 8    | 250  | 330.0              | 12.4               | 5.25    | 3.35    | 1.25    | 8.0     | 12.0   | Q1            |
| OPA2354AIDGKT   | VSSOP        | DGK             | 8    | 250  | 330.0              | 12.4               | 5.3     | 3.4     | 1.4     | 8.0     | 12.0   | Q1            |
| OPA2354AIDGKT   | VSSOP        | DGK             | 8    | 250  | 330.0              | 12.4               | 5.3     | 3.4     | 1.4     | 8.0     | 12.0   | Q1            |
| OPA2354AIDGKTG4 | VSSOP        | DGK             | 8    | 250  | 330.0              | 12.4               | 5.3     | 3.4     | 1.4     | 8.0     | 12.0   | Q1            |
| OPA354AIDBVR    | SOT-23       | DBV             | 5    | 3000 | 178.0              | 9.0                | 3.23    | 3.17    | 1.37    | 4.0     | 8.0    | Q3            |
| OPA354AIDBVT    | SOT-23       | DBV             | 5    | 250  | 178.0              | 9.0                | 3.3     | 3.2     | 1.4     | 4.0     | 8.0    | Q3            |
| OPA354AIDDAR    | SO PowerPAD  | DDA             | 8    | 2500 | 330.0              | 12.4               | 6.4     | 5.2     | 2.1     | 8.0     | 12.0   | Q1            |
| OPA4354AIDR     | SOIC         | D               | 14   | 2500 | 330.0              | 16.4               | 6.5     | 9.0     | 2.1     | 8.0     | 16.0   | Q1            |
| OPA4354AIDRG4   | SOIC         | D               | 14   | 2500 | 330.0              | 16.4               | 6.5     | 9.0     | 2.1     | 8.0     | 16.0   | Q1            |
| OPA4354AIPWR    | TSSOP        | PW              | 14   | 2500 | 330.0              | 12.4               | 6.9     | 5.6     | 1.6     | 8.0     | 12.0   | Q1            |
| OPA4354AIPWT    | TSSOP        | PW              | 14   | 250  | 180.0              | 12.4               | 6.9     | 5.6     | 1.6     | 8.0     | 12.0   | Q1            |

**TAPE AND REEL BOX DIMENSIONS**


\*All dimensions are nominal

| Device          | Package Type | Package Drawing | Pins | SPQ  | Length (mm) | Width (mm) | Height (mm) |
|-----------------|--------------|-----------------|------|------|-------------|------------|-------------|
| OPA2354AIDDAR   | SO PowerPAD  | DDA             | 8    | 2500 | 353.0       | 353.0      | 32.0        |
| OPA2354AIDGKR   | VSSOP        | DGK             | 8    | 2500 | 366.0       | 364.0      | 50.0        |
| OPA2354AIDGKR   | VSSOP        | DGK             | 8    | 2500 | 366.0       | 364.0      | 50.0        |
| OPA2354AIDGKR   | VSSOP        | DGK             | 8    | 2500 | 353.0       | 353.0      | 32.0        |
| OPA2354AIDGKT   | VSSOP        | DGK             | 8    | 250  | 366.0       | 364.0      | 50.0        |
| OPA2354AIDGKT   | VSSOP        | DGK             | 8    | 250  | 366.0       | 364.0      | 50.0        |
| OPA2354AIDGKT   | VSSOP        | DGK             | 8    | 250  | 353.0       | 353.0      | 32.0        |
| OPA2354AIDGKTG4 | VSSOP        | DGK             | 8    | 250  | 366.0       | 364.0      | 50.0        |
| OPA354AIDBVR    | SOT-23       | DBV             | 5    | 3000 | 180.0       | 180.0      | 18.0        |
| OPA354AIDBVT    | SOT-23       | DBV             | 5    | 250  | 180.0       | 180.0      | 18.0        |
| OPA354AIDDAR    | SO PowerPAD  | DDA             | 8    | 2500 | 353.0       | 353.0      | 32.0        |
| OPA4354AIDR     | SOIC         | D               | 14   | 2500 | 353.0       | 353.0      | 32.0        |
| OPA4354AIDRG4   | SOIC         | D               | 14   | 2500 | 353.0       | 353.0      | 32.0        |
| OPA4354AIPWR    | TSSOP        | PW              | 14   | 2500 | 353.0       | 353.0      | 32.0        |
| OPA4354AIPWT    | TSSOP        | PW              | 14   | 250  | 213.0       | 191.0      | 35.0        |

**TUBE**


\*All dimensions are nominal

| Device         | Package Name | Package Type | Pins | SPQ | L (mm) | W (mm) | T (μm) | B (mm) |
|----------------|--------------|--------------|------|-----|--------|--------|--------|--------|
| OPA2354AIDDA   | DDA          | HSOIC        | 8    | 75  | 506.6  | 8      | 3940   | 4.32   |
| OPA2354AIDDA.B | DDA          | HSOIC        | 8    | 75  | 506.6  | 8      | 3940   | 4.32   |
| OPA2354AIDDAG3 | DDA          | HSOIC        | 8    | 75  | 506.6  | 8      | 3940   | 4.32   |
| OPA354AIDDA    | DDA          | HSOIC        | 8    | 75  | 506.6  | 8      | 3940   | 4.32   |
| OPA354AIDDA.B  | DDA          | HSOIC        | 8    | 75  | 506.6  | 8      | 3940   | 4.32   |
| OPA354AIDDAG3  | DDA          | HSOIC        | 8    | 75  | 506.6  | 8      | 3940   | 4.32   |
| OPA4354AID     | D            | SOIC         | 14   | 50  | 506.6  | 8      | 3940   | 4.32   |
| OPA4354AID.B   | D            | SOIC         | 14   | 50  | 506.6  | 8      | 3940   | 4.32   |

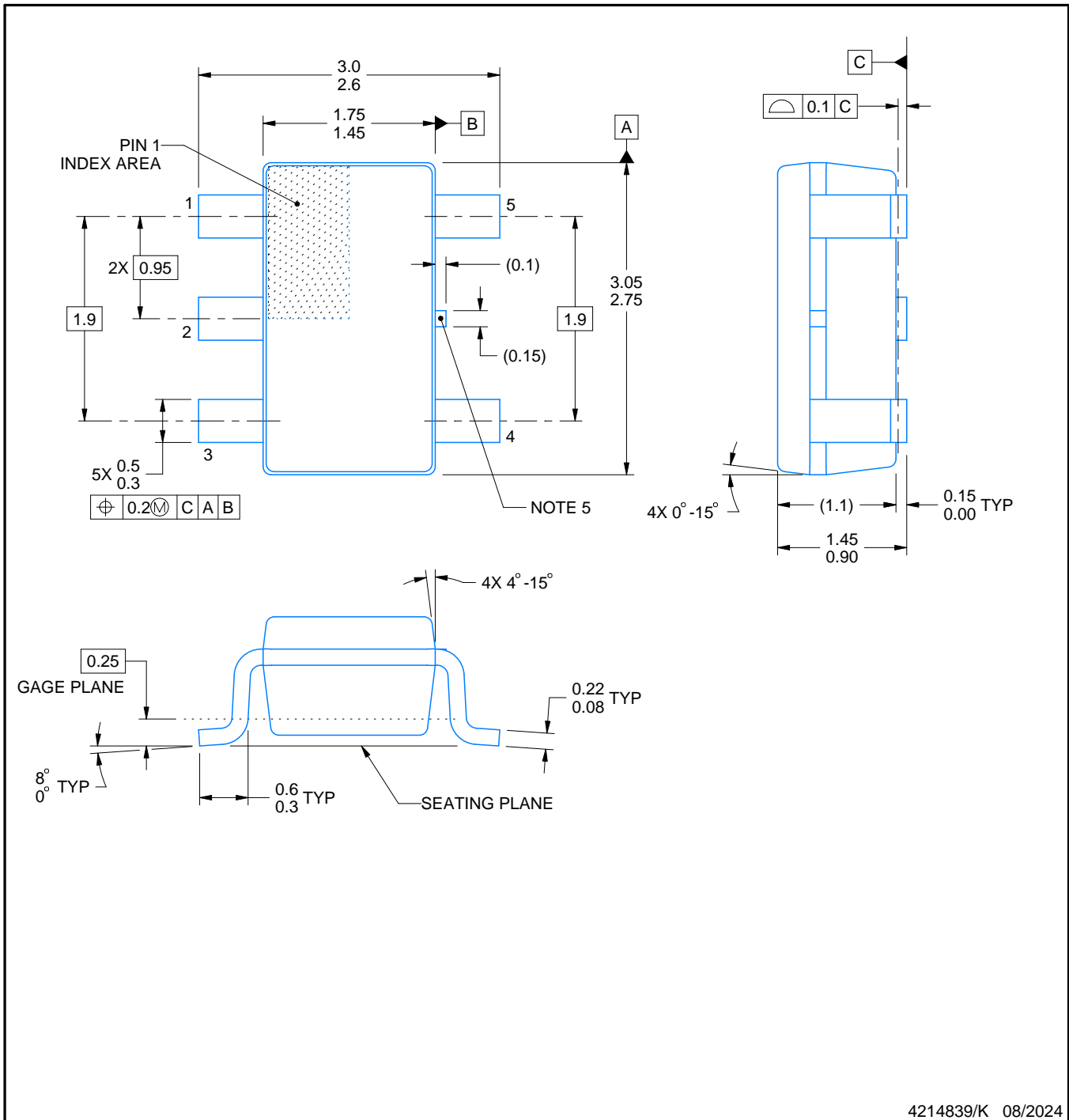
# DBV0005A



# PACKAGE OUTLINE

SOT-23 - 1.45 mm max height

SMALL OUTLINE TRANSISTOR



4214839/K 08/2024

## NOTES:

1. All linear dimensions are in millimeters. Any dimensions in parenthesis are for reference only. Dimensioning and tolerancing per ASME Y14.5M.
2. This drawing is subject to change without notice.
3. Reference JEDEC MO-178.
4. Body dimensions do not include mold flash, protrusions, or gate burrs. Mold flash, protrusions, or gate burrs shall not exceed 0.25 mm per side.
5. Support pin may differ or may not be present.

# EXAMPLE BOARD LAYOUT

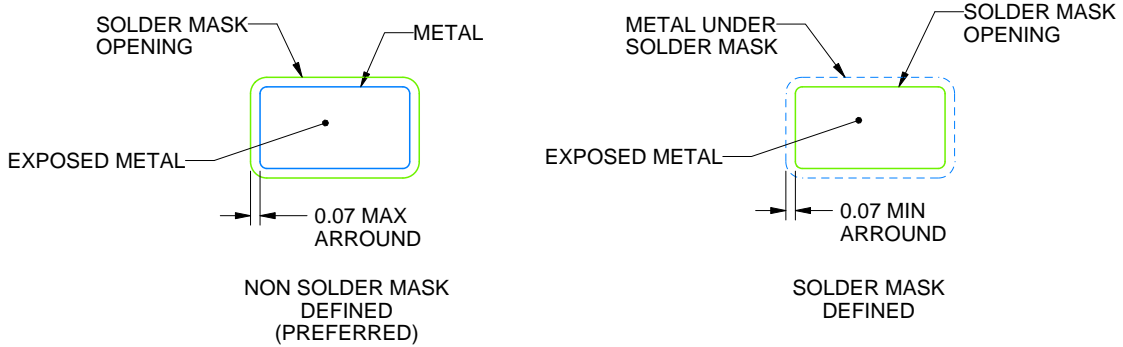
DBV0005A

SOT-23 - 1.45 mm max height

SMALL OUTLINE TRANSISTOR



LAND PATTERN EXAMPLE  
EXPOSED METAL SHOWN  
SCALE:15X



SOLDER MASK DETAILS

4214839/K 08/2024

NOTES: (continued)

- 6. Publication IPC-7351 may have alternate designs.
- 7. Solder mask tolerances between and around signal pads can vary based on board fabrication site.

# EXAMPLE STENCIL DESIGN

DBV0005A

SOT-23 - 1.45 mm max height

SMALL OUTLINE TRANSISTOR



SOLDER PASTE EXAMPLE  
BASED ON 0.125 mm THICK STENCIL  
SCALE:15X

4214839/K 08/2024

NOTES: (continued)

8. Laser cutting apertures with trapezoidal walls and rounded corners may offer better paste release. IPC-7525 may have alternate design recommendations.
9. Board assembly site may have different recommendations for stencil design.

# DGK0008A



# PACKAGE OUTLINE

VSSOP - 1.1 mm max height

SMALL OUTLINE PACKAGE



4214862/A 04/2023

**NOTES:**

PowerPAD is a trademark of Texas Instruments.

1. All linear dimensions are in millimeters. Any dimensions in parenthesis are for reference only. Dimensioning and tolerancing per ASME Y14.5M.
2. This drawing is subject to change without notice.
3. This dimension does not include mold flash, protrusions, or gate burrs. Mold flash, protrusions, or gate burrs shall not exceed 0.15 mm per side.
4. This dimension does not include interlead flash. Interlead flash shall not exceed 0.25 mm per side.
5. Reference JEDEC registration MO-187.

# EXAMPLE BOARD LAYOUT

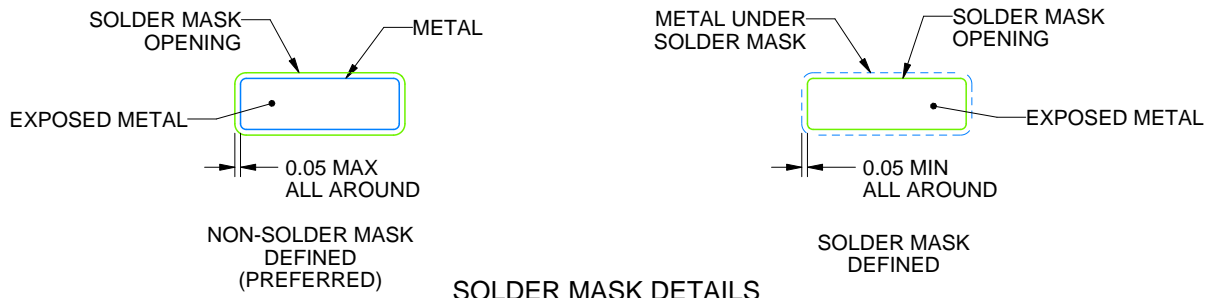
DGK0008A

™ VSSOP - 1.1 mm max height

SMALL OUTLINE PACKAGE



LAND PATTERN EXAMPLE  
EXPOSED METAL SHOWN  
SCALE: 15X



SOLDER MASK DETAILS

4214862/A 04/2023

NOTES: (continued)

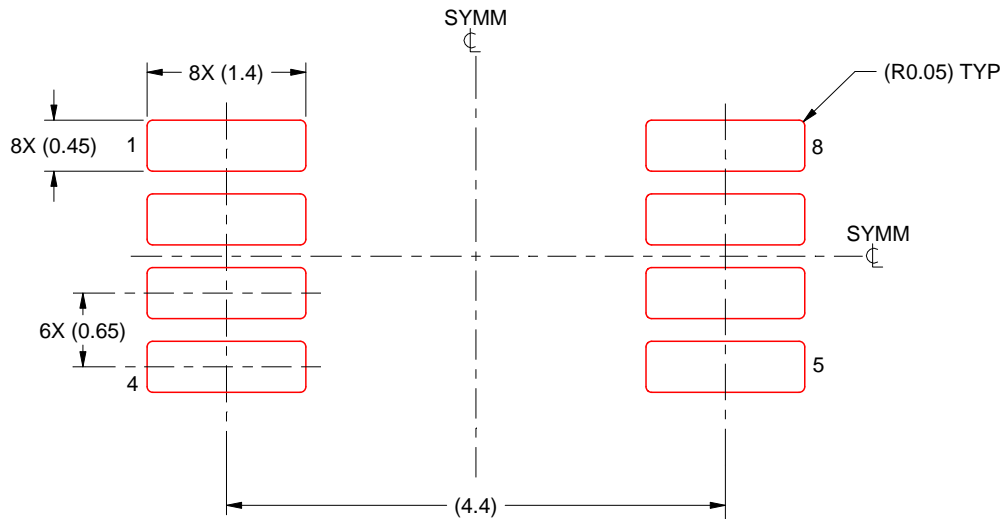
6. Publication IPC-7351 may have alternate designs.
7. Solder mask tolerances between and around signal pads can vary based on board fabrication site.
8. Vias are optional depending on application, refer to device data sheet. If any vias are implemented, refer to their locations shown on this view. It is recommended that vias under paste be filled, plugged or tented.
9. Size of metal pad may vary due to creepage requirement.

# EXAMPLE STENCIL DESIGN

DGK0008A

<sup>TM</sup> VSSOP - 1.1 mm max height

SMALL OUTLINE PACKAGE



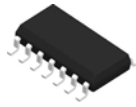
SOLDER PASTE EXAMPLE  
SCALE: 15X

4214862/A 04/2023

NOTES: (continued)

11. Laser cutting apertures with trapezoidal walls and rounded corners may offer better paste release. IPC-7525 may have alternate design recommendations.
12. Board assembly site may have different recommendations for stencil design.

D0014A



# PACKAGE OUTLINE

SOIC - 1.75 mm max height

SMALL OUTLINE INTEGRATED CIRCUIT



4220718/A 09/2016

NOTES:

1. All linear dimensions are in millimeters. Dimensions in parenthesis are for reference only. Dimensioning and tolerancing per ASME Y14.5M.
2. This drawing is subject to change without notice.
3. This dimension does not include mold flash, protrusions, or gate burrs. Mold flash, protrusions, or gate burrs shall not exceed 0.15 mm, per side.
4. This dimension does not include interlead flash. Interlead flash shall not exceed 0.43 mm, per side.
5. Reference JEDEC registration MS-012, variation AB.

# EXAMPLE BOARD LAYOUT

D0014A

SOIC - 1.75 mm max height

SMALL OUTLINE INTEGRATED CIRCUIT



LAND PATTERN EXAMPLE  
SCALE:8X



SOLDER MASK DETAILS

4220718/A 09/2016

NOTES: (continued)

- 6. Publication IPC-7351 may have alternate designs.
- 7. Solder mask tolerances between and around signal pads can vary based on board fabrication site.

# EXAMPLE STENCIL DESIGN

D0014A

SOIC - 1.75 mm max height

SMALL OUTLINE INTEGRATED CIRCUIT

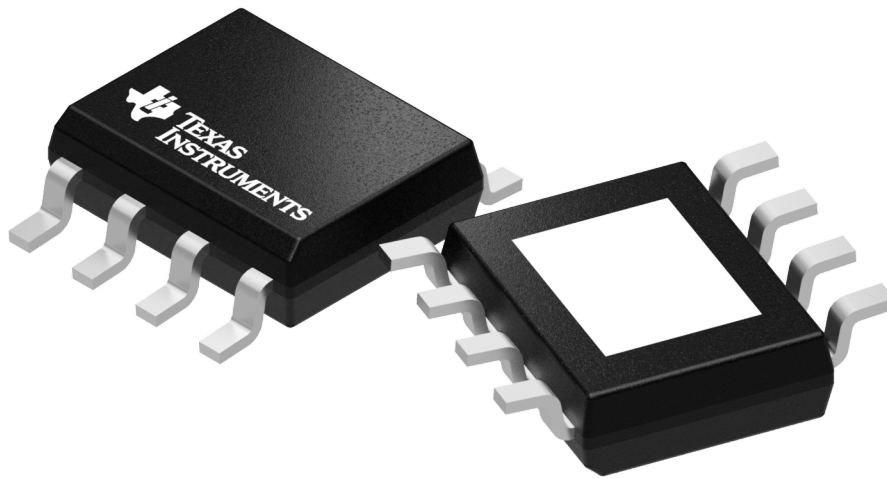


SOLDER PASTE EXAMPLE  
BASED ON 0.125 mm THICK STENCIL  
SCALE:8X

4220718/A 09/2016

NOTES: (continued)

8. Laser cutting apertures with trapezoidal walls and rounded corners may offer better paste release. IPC-7525 may have alternate design recommendations.
9. Board assembly site may have different recommendations for stencil design.



Images above are just a representation of the package family, actual package may vary.  
Refer to the product data sheet for package details.

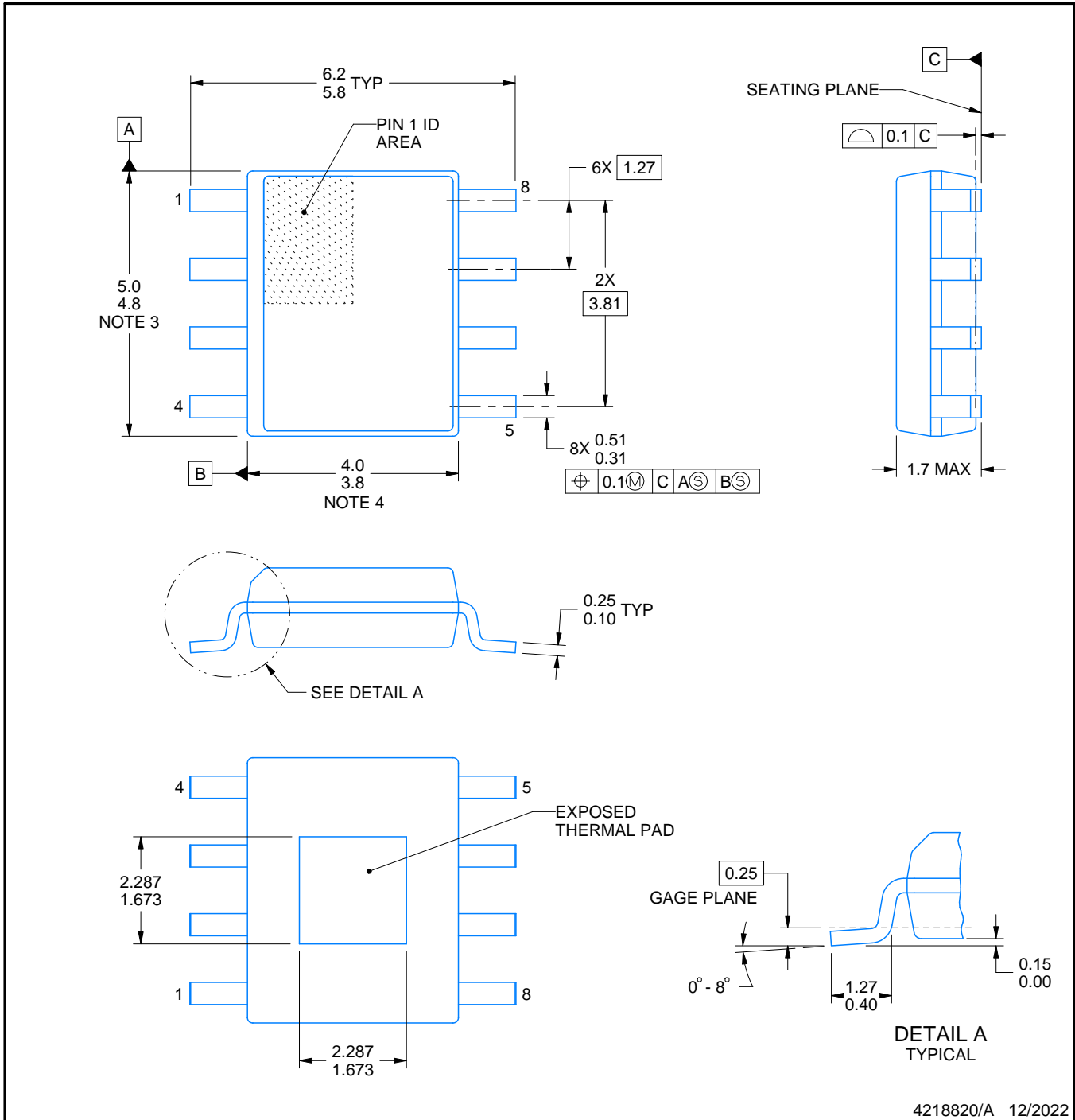
# DDA0008D



# PACKAGE OUTLINE

## PowerPAD™ SOIC - 1.7 mm max height

PLASTIC SMALL OUTLINE



PowerPAD is a trademark of Texas Instruments.

### NOTES:

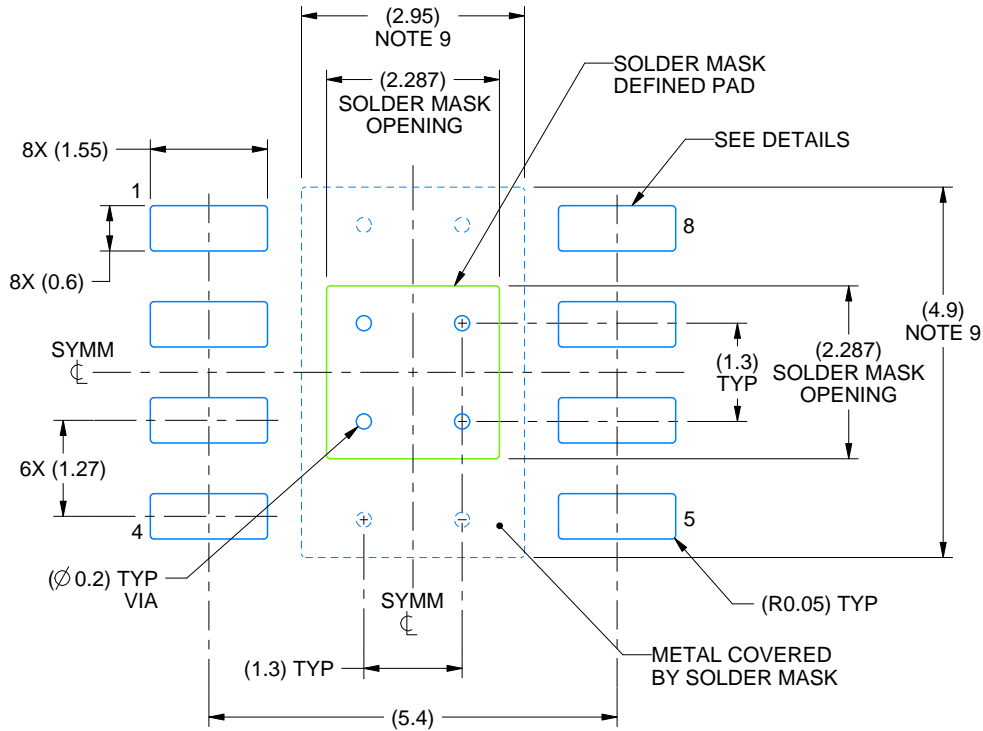
1. All linear dimensions are in millimeters. Any dimensions in parenthesis are for reference only. Dimensioning and tolerancing per ASME Y14.5M.
2. This drawing is subject to change without notice.
3. This dimension does not include mold flash, protrusions, or gate burrs. Mold flash, protrusions, or gate burrs shall not exceed 0.15 mm per side.
4. This dimension does not include interlead flash. Interlead flash shall not exceed 0.25 mm per side.
5. Reference JEDEC registration MS-012, variation BA.

# EXAMPLE BOARD LAYOUT

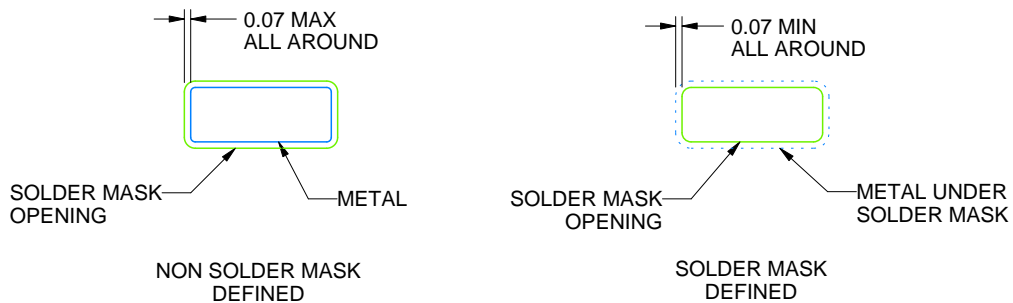
DDA0008D

PowerPAD™ SOIC - 1.7 mm max height

PLASTIC SMALL OUTLINE



LAND PATTERN EXAMPLE  
SCALE:10X



SOLDER MASK DETAILS

4218820/A 12/2022

NOTES: (continued)

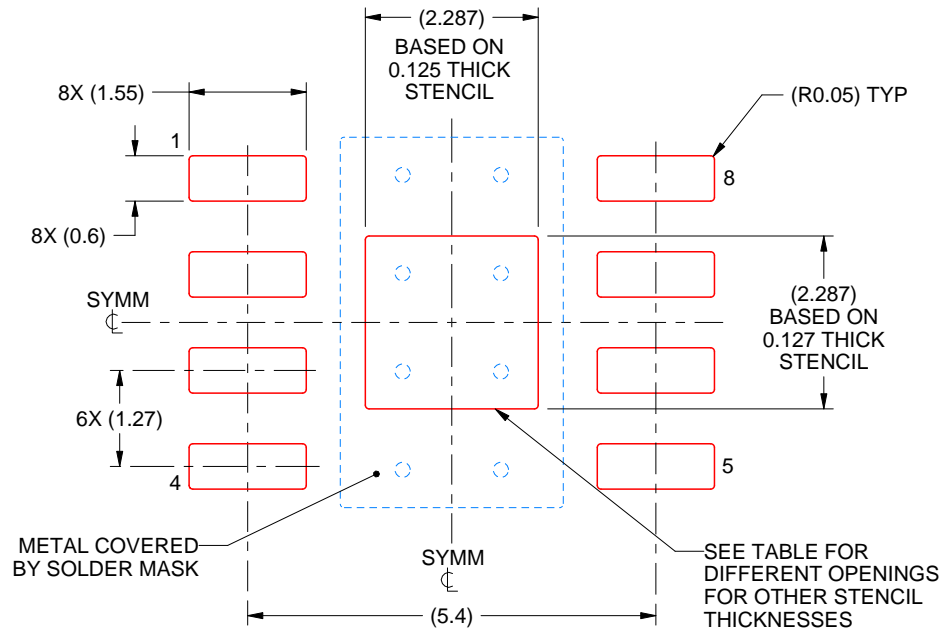
6. Publication IPC-7351 may have alternate designs.
7. Solder mask tolerances between and around signal pads can vary based on board fabrication site.
8. This package is designed to be soldered to a thermal pad on the board. For more information, see Texas Instruments literature numbers SLMA002 ([www.ti.com/lit/slma002](http://www.ti.com/lit/slma002)) and SLMA004 ([www.ti.com/lit/slma004](http://www.ti.com/lit/slma004)).
9. Size of metal pad may vary due to creepage requirement.

# EXAMPLE STENCIL DESIGN

DDA0008D

PowerPAD™ SOIC - 1.7 mm max height

PLASTIC SMALL OUTLINE



**SOLDER PASTE EXAMPLE**  
 EXPOSED PAD  
 100% PRINTED SOLDER COVERAGE BY AREA  
 SCALE:10X

| STENCIL THICKNESS | SOLDER STENCIL OPENING |
|-------------------|------------------------|
| 0.1               | 2.557 X 2.557          |
| 0.125             | 2.287 X 2.287 (SHOWN)  |
| 0.150             | 2.088 X 2.088          |
| 0.175             | 1.933 X 1.933          |

4218820/A 12/2022

NOTES: (continued)

- 10. Laser cutting apertures with trapezoidal walls and rounded corners may offer better paste release. IPC-7525 may have alternate design recommendations.
- 11. Board assembly site may have different recommendations for stencil design.

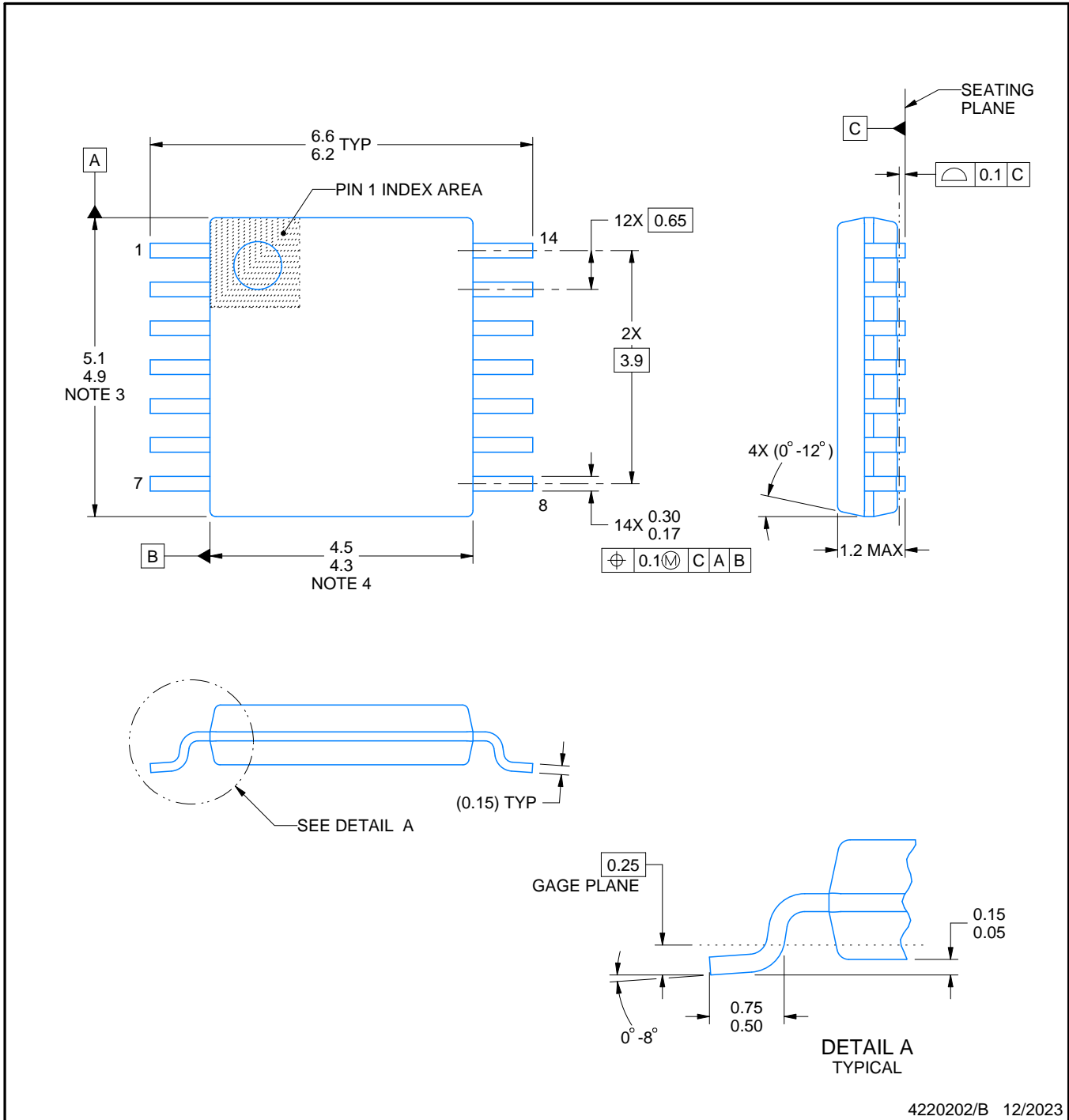
PW0014A



# PACKAGE OUTLINE

## TSSOP - 1.2 mm max height

SMALL OUTLINE PACKAGE



4220202/B 12/2023

NOTES:

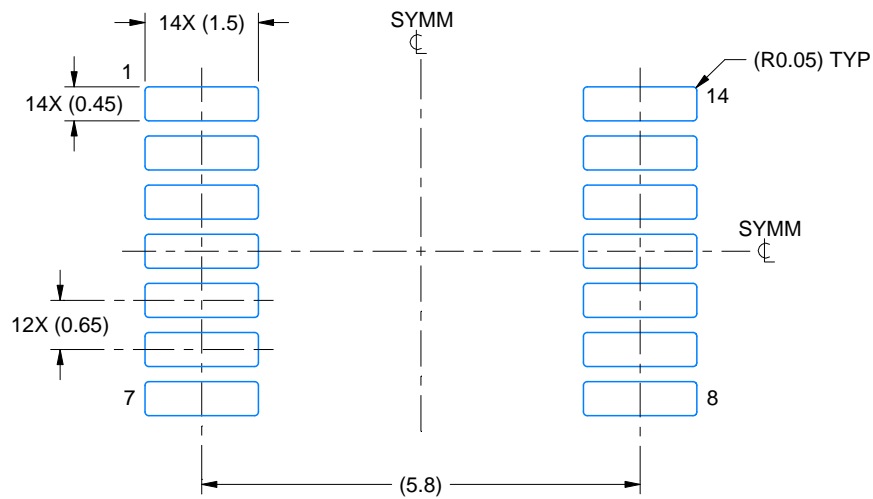
1. All linear dimensions are in millimeters. Any dimensions in parenthesis are for reference only. Dimensioning and tolerancing per ASME Y14.5M.
2. This drawing is subject to change without notice.
3. This dimension does not include mold flash, protrusions, or gate burrs. Mold flash, protrusions, or gate burrs shall not exceed 0.15 mm per side.
4. This dimension does not include interlead flash. Interlead flash shall not exceed 0.25 mm per side.
5. Reference JEDEC registration MO-153.

# EXAMPLE BOARD LAYOUT

PW0014A

TSSOP - 1.2 mm max height

SMALL OUTLINE PACKAGE



LAND PATTERN EXAMPLE  
EXPOSED METAL SHOWN  
SCALE: 10X



4220202/B 12/2023

NOTES: (continued)

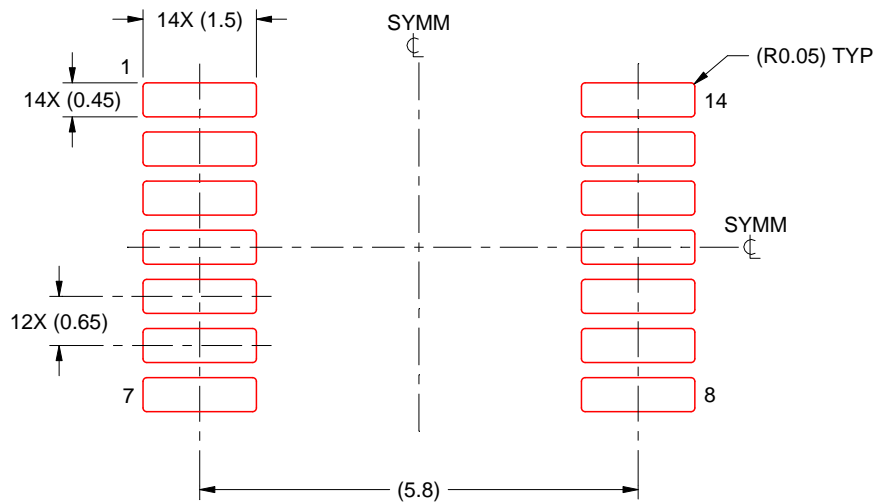
- 6. Publication IPC-7351 may have alternate designs.
- 7. Solder mask tolerances between and around signal pads can vary based on board fabrication site.

# EXAMPLE STENCIL DESIGN

PW0014A

TSSOP - 1.2 mm max height

SMALL OUTLINE PACKAGE



SOLDER PASTE EXAMPLE  
BASED ON 0.125 mm THICK STENCIL  
SCALE: 10X

4220202/B 12/2023

NOTES: (continued)

8. Laser cutting apertures with trapezoidal walls and rounded corners may offer better paste release. IPC-7525 may have alternate design recommendations.
9. Board assembly site may have different recommendations for stencil design.

## IMPORTANT NOTICE AND DISCLAIMER

TI PROVIDES TECHNICAL AND RELIABILITY DATA (INCLUDING DATASHEETS), DESIGN RESOURCES (INCLUDING REFERENCE DESIGNS), APPLICATION OR OTHER DESIGN ADVICE, WEB TOOLS, SAFETY INFORMATION, AND OTHER RESOURCES "AS IS" AND WITH ALL FAULTS, AND DISCLAIMS ALL WARRANTIES, EXPRESS AND IMPLIED, INCLUDING WITHOUT LIMITATION ANY IMPLIED WARRANTIES OF MERCHANTABILITY, FITNESS FOR A PARTICULAR PURPOSE OR NON-INFRINGEMENT OF THIRD PARTY INTELLECTUAL PROPERTY RIGHTS.

These resources are intended for skilled developers designing with TI products. You are solely responsible for (1) selecting the appropriate TI products for your application, (2) designing, validating and testing your application, and (3) ensuring your application meets applicable standards, and any other safety, security, regulatory or other requirements.

These resources are subject to change without notice. TI grants you permission to use these resources only for development of an application that uses the TI products described in the resource. Other reproduction and display of these resources is prohibited. No license is granted to any other TI intellectual property right or to any third party intellectual property right. TI disclaims responsibility for, and you fully indemnify TI and its representatives against any claims, damages, costs, losses, and liabilities arising out of your use of these resources.

TI's products are provided subject to [TI's Terms of Sale](#), [TI's General Quality Guidelines](#), or other applicable terms available either on [ti.com](http://ti.com) or provided in conjunction with such TI products. TI's provision of these resources does not expand or otherwise alter TI's applicable warranties or warranty disclaimers for TI products. Unless TI explicitly designates a product as custom or customer-specified, TI products are standard, catalog, general purpose devices.

TI objects to and rejects any additional or different terms you may propose.

Copyright © 2026, Texas Instruments Incorporated

Last updated 10/2025