

## DAC1282 Low Distortion Digital-to-Analog Converter for Seismic

### 1 Features

- Single-Chip Test Signal Generator
- Buffered Voltage Output
- High Performance:
  - THD:  $-125$  dB ( $G = 1/1$  to  $1/8$ )
  - SNR: 120 dB (413 Hz BW,  $G = 1/1$ )
- Analog and Digital Gain Control
- Output Frequency: 0.488 Hz to 250 Hz
- Sine, Pulse, and DC Modes
- Digital Data Input Mode
- Low On-Resistance Signal Switch
- Sync Input
- Power-Down Mode
- Analog Supply: 5 V or  $\pm 2.5$  V
- Digital Supply: 1.8 V to 3.3 V
- Power: 38 mW
- Package: TSSOP-24
- Operating Range:  $-50^{\circ}\text{C}$  to  $+125^{\circ}\text{C}$

### 2 Applications

- Energy Exploration
- Seismic Monitoring Systems
- High-Accuracy Instrumentation

### 3 Description

The DAC1282 is a fully-integrated digital-to-analog converter (DAC) providing low distortion, digital synthesized voltage output suitable for testing of seismic equipment. The DAC1282 achieves very high performance in a small package with low power. Together, with the high-performance [ADS1281](#) and [ADS1282](#) analog-to-digital converters (ADCs), these devices create a measurement system that meets the exacting demands of seismic data acquisition equipment.

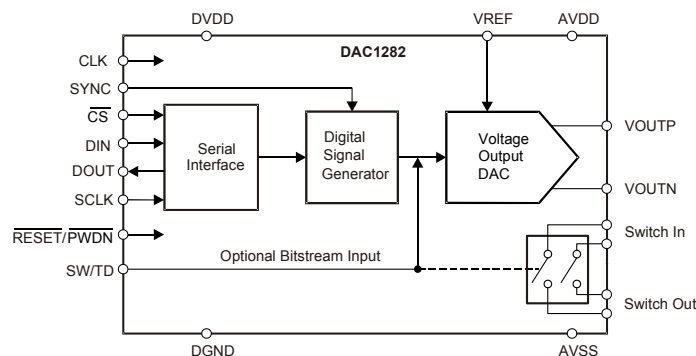
The DAC1282 integrates a digital signal generator, a DAC, and an output amplifier providing sine wave, dc, and pulse output voltages.

The output frequency is programmable from 0.5 Hz to 250 Hz and the magnitude is scaled by both analog and digital control. The analog gain is adjustable in 6-dB steps and the digital gain in 0.5-dB steps. The analog gain settings match those of the ADS1282 for testing at all gains with high resolution.

The DAC1282 also provides pulse outputs. The pulse amplitude is user-programmed and then selected by the pin for precise timing. Custom output signals can be generated by applying an external bitstream pattern.

A signal switch can be used to connect the DAC output to sensors for THD and impulse testing. The switch timing is controlled by pin and by command.

A SYNC pin synchronizes the DAC output to the analog-to-digital converter (ADC) sample interval. A power-down input disables the device, reducing power consumption to microwatts.



## Table of Contents

<b>1 Features</b> .....	<b>1</b>	8.1 Overview .....	14
<b>2 Applications</b> .....	<b>1</b>	8.2 Feature Description.....	16
<b>3 Description</b> .....	<b>1</b>	8.3 Device Functional Modes.....	30
<b>4 Revision History</b> .....	<b>2</b>	8.4 Programming.....	31
<b>5 Device Comparison</b> .....	<b>3</b>	8.5 Register Map.....	33
<b>6 Pin Configuration and Functions</b> .....	<b>3</b>	<b>9 Application and Implementation</b> .....	<b>36</b>
<b>7 Specifications</b> .....	<b>4</b>	9.1 Application Information.....	36
7.1 Absolute Maximum Ratings .....	4	9.2 Typical Applications .....	37
7.2 ESD Ratings.....	4	<b>10 Device and Documentation Support</b> .....	<b>39</b>
7.3 Thermal Information .....	4	10.1 Community Resources.....	39
7.4 Electrical Characteristics.....	5	10.2 Trademarks .....	39
7.5 Timing Requirements: Serial Peripheral Interface (SPI) Timing .....	8	10.3 Electrostatic Discharge Caution.....	39
7.6 Typical Characteristics.....	9	10.4 Glossary .....	39
<b>8 Detailed Description</b> .....	<b>14</b>	<b>11 Mechanical, Packaging, and Orderable Information</b> .....	<b>39</b>

## 4 Revision History

NOTE: Page numbers for previous revisions may differ from page numbers in the current version.

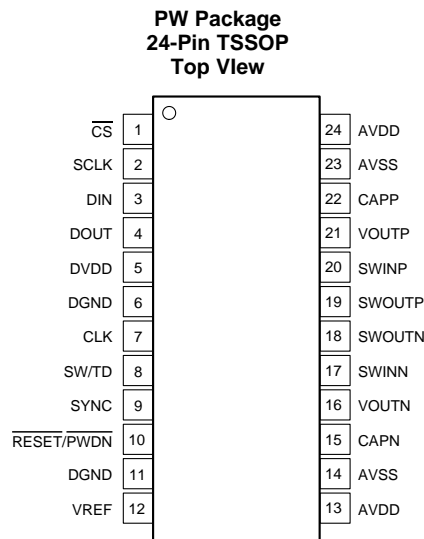
<b>Changes from Revision A (September 2012) to Revision B</b>	<b>Page</b>
• Added ADS1282A device to data sheet .....	1

<b>Changes from Original (December 2011) to Revision A</b>	<b>Page</b>
• Updated <a href="#">Figure 16</a> .....	10
• Added last paragraph to <i>Signal Output</i> section.....	16
• Changed $t_{\text{CSHD}}$ minimum specification in Table 11.....	25
• Changed min, max, and unit columns in Table 12.....	26

## 5 Device Comparison

DEVICE	DESCRIPTION
<a href="#">ADS1281</a>	High-resolution ADC
<a href="#">ADS1282</a>	High-resolution ADC with PGA
<a href="#">REF5050</a>	Low-drift 5 V reference

## 6 Pin Configuration and Functions



### Pin Functions

PIN		FUNCTION	DESCRIPTION
NAME	NO.		
AVDD	13, 24	Analog supply	Analog positive power supply
AVSS	14	Analog supply	Analog negative power supply, reference ground
AVSS	23	Analog supply	Analog negative power supply
CAPN	15	Analog	External capacitor connected to VOUTN
CAPP	22	Analog	External capacitor connected to VOUTP
$\overline{\text{CS}}$	1	Digital input	Serial port chip select
CLK	7	Digital input	Master clock 4.096 MHz
DGND	6	Ground	Key digital ground
DGND	11	Ground	Digital ground
DIN	3	Digital input	Serial port data input
DOUT	4	Digital output	Serial port data output
DVDD	5	Digital supply	Digital power supply: 1.65 V to 3.6 V
$\overline{\text{RESET/PWDN}}$	10	Digital input	Reset/power-down input
SCLK	2	Digital input	Serial port shift clock
SW/TD	8	Digital input	Switch control input or bitstream input
SWINN	17	Analog I/O	Switch negative input
SWINP	20	Analog I/O	Switch positive input
SWOUTN	18	Analog I/O	Switch negative output
SWOUTP	19	Analog I/O	Switch positive output
SYNC	9	Digital input	Synchronize input
VOUTN	16	Analog output	Negative voltage output
VOUTP	21	Analog output	Positive voltage output
VREF	12	Analog input	Reference voltage input

## 7 Specifications

### 7.1 Absolute Maximum Ratings<sup>(1)</sup>

Over operating free-air temperature range, unless otherwise noted.

	MIN	MAX	UNIT
AVDD to AVSS	−0.3	+5.5	V
AVSS to DGND	−2.8	+0.3	V
DVDD to DGND	−0.3	+3.6	V
Input current continuous	−10	+10	mA
Analog input/output voltage	AVSS − 0.3	AVDD + 0.3	V
Switch current	−60	+60	mA
Digital input voltage to DGND	−0.3	DVDD + 0.3	V
Operating temperature range	−50	+125	°C
Storage temperature, T <sub>stg</sub>	−60	+150	°C

- (1) Stresses above these ratings may cause permanent damage. Exposure to absolute maximum conditions for extended periods may degrade device reliability. These are stress ratings only, and functional operation of the device at these or any other conditions beyond those specified is not implied.

### 7.2 ESD Ratings

		VALUE	UNIT
V <sub>(ESD)</sub>	Electrostatic discharge	Human-body model (HBM), per ANSI/ESDA/JEDEC JS-001 <sup>(1)</sup>	±2000
		Charged-device model (CDM), per JEDEC specification JESD22-C101 <sup>(2)</sup>	±500

- (1) JEDEC document JEP155 states that 500-V HBM allows safe manufacturing with a standard ESD control process.  
 (2) JEDEC document JEP157 states that 250-V CDM allows safe manufacturing with a standard ESD control process.

### 7.3 Thermal Information

THERMAL METRIC <sup>(1)</sup>		PW (TSSOP)	UNIT
		24 PINS	
R <sub>θJA</sub>	Junction-to-ambient thermal resistance	78.3	°C/W
R <sub>θJC(top)</sub>	Junction-to-case (top) thermal resistance	12.1	
R <sub>θJB</sub>	Junction-to-board thermal resistance	33.8	
Ψ <sub>JT</sub>	Junction-to-top characterization parameter	0.3	
Ψ <sub>JB</sub>	Junction-to-board characterization parameter	33.5	
R <sub>θJC(bot)</sub>	Junction-to-case (bottom) thermal resistance	N/A	

- (1) For more information about traditional and new thermal metrics, see the *IC Package Thermal Metrics* application report, [SPRA953](#).

## 7.4 Electrical Characteristics

Minimum and maximum specifications are at  $T_A = -40^\circ\text{C}$  to  $+85^\circ\text{C}$ . Typical specifications are at  $T_A = +25^\circ\text{C}$ ,  $AVDD = +2.5\text{ V}$ ,  $AVSS = -2.5\text{ V}$ ,  $f_{\text{CLK}} = 4.096\text{ MHz}$ ,  $V_{\text{REF}} = 5\text{ V}$ , and  $DVDD = 3.3\text{ V}$  (unless otherwise noted). Refer to [Figure 50](#). DAC1282A supports gains = 1/1, 1/4, and 1/16 only.

PARAMETER		TEST CONDITIONS	MIN	TYP	MAX	UNIT
<b>ANALOG OUTPUT (VOUTP, VOUTN)</b>						
Full-scale output voltage <sup>(1)</sup>		Gain = 1/1 to 1/64	$\pm V_{\text{REF}}/2 \times \text{gain}$			V
Output common-mode voltage <sup>(2)</sup>			-0.1			V
Differential output impedance			1.6			$\Omega$
$C_{\text{LOAD}}$	Capacitive load				2	nF
$R_{\text{LOAD}}$	Resistive load		100			$\Omega$
Output current limit <sup>(3)</sup>			$\pm 60$			mA
High-Z output leakage		$T_A = +25^\circ\text{C}$	2			nA
		$T_A = +85^\circ\text{C}$	50			
<b>DC PERFORMANCE (Excluding Pulse Mode)</b>						
Gain error		Gain = 1/1	$\pm 0.1\%$		$\pm 0.75\%$	
Gain match		Relative to gain = 1/1	$\pm 0.05\%$		$\pm 0.5\%$	
Gain drift			2			ppm/ $^\circ\text{C}$
Offset		Gain = 1/1 to 1/64	$\pm(7/\text{gain}) + 50$		$\pm(75/\text{gain}) + 300$	ppm FSR <sup>(4)</sup>
Offset drift			1.5			ppm FSR/ $^\circ\text{C}$
<b>AC PERFORMANCE</b>						
THD	Total harmonic distortion <sup>(5)</sup>	DAC1282	Gain = 1/1	-125	-118	dB
			Gain = 1/2, 1/4, 1/8	-125		dB
			Gain = 1/16	-123		dB
			Gain = 1/32	-115		dB
			Gain = 1/64	-111		dB
		DAC1282A	Gain = 1/1	-118	-106	dB
			Gain = 1/4, 1/16	-118		dB
SNR	Signal-to-noise ratio <sup>(6)</sup>	Gain = 1/1	116	120	dB	
		Gain = 1/2		119	dB	
		Gain = 1/4		117	dB	
		Gain = 1/8		114	dB	
		Gain = 1/16		110	dB	
		Gain = 1/32		106	dB	
		Gain = 1/64		100	dB	
Output frequency			0.4883		250	Hz
Digital gain		0.5-dB steps	Full mute		0	dB
PSR	Power-supply rejection	AVDD, AVSS	60-Hz ac, gain = 1/8		85	dB
		DVDD			120	dB

(1) Full-scale differential output voltage:  $V_{\text{OUT}} = (V_{\text{OUTP}} - V_{\text{OUTN}}) = \pm V_{\text{REF}}/2 \times \text{Gain}$ . Gain is the DAC analog gain.

(2) Output common-mode voltage scales with analog supply voltage:  $V_{\text{COM}} = 0.48 \times (AVDD - AVSS) + AVSS$ .

(3) Sink or source current limit of VOUTP and VOUTN.

(4) FSR – full-scale range =  $V_{\text{REF}} \times \text{gain}$ .

(5) THD = total harmonic distortion. THD is measured by the ADS1282, and is the sum of first nine harmonics using complementing gain.

$f_{\text{OUT}} = 31.25\text{ Hz}$ ,  $V_{\text{OUT}} = 0.5\text{ dBFS}$ , no load.

(6) SNR = signal-to-noise ratio. SNR is measured by the ADS1282 over a 413-Hz bandwidth using complementing gain.  $f_{\text{OUT}} = 31.25\text{ Hz}$  and  $V_{\text{OUT}} = 0.5\text{ dBFS}$ .

## Electrical Characteristics (continued)

Minimum and maximum specifications are at  $T_A = -40^\circ\text{C}$  to  $+85^\circ\text{C}$ . Typical specifications are at  $T_A = +25^\circ\text{C}$ ,  $AVDD = +2.5\text{ V}$ ,  $AVSS = -2.5\text{ V}$ ,  $f_{\text{CLK}} = 4.096\text{ MHz}$ ,  $V_{\text{REF}} = 5\text{ V}$ , and  $DVDD = 3.3\text{ V}$  (unless otherwise noted). Refer to [Figure 50](#). DAC1282A supports gains = 1/1, 1/4, and 1/16 only.

PARAMETER	TEST CONDITIONS	MIN	TYP	MAX	UNIT
<b>PULSE MODE</b>					
Output levels	31 steps, approximate 3 dB per step	$\pm 0.0195$		$\pm 2.5$	V
Gain error			$\pm 0.1\%$	$\pm 0.75\%$	
Gain drift			3		ppm/ $^\circ\text{C}$
Offset			$\pm 0.5$	$\pm 3$	mV
Offset drift			3		$\mu\text{V}/^\circ\text{C}$
Output noise <sup>(7)</sup>			1.5		$\mu\text{V}_{\text{RMS}}$
Slew rate			5		V/ $\mu\text{s}$
Settling time	0.1% final value		25		$\mu\text{s}$
<b>DC MODE</b>					
Resolution			24		Bits
Step response			100		$\mu\text{s}$
DC noise <sup>(8)</sup>	Gain = 1/1		1.3		$\mu\text{V}_{\text{RMS}}$
	Gain = 1/2		1.4		$\mu\text{V}_{\text{RMS}}$
	Gain = 1/4		1.8		$\mu\text{V}_{\text{RMS}}$
	Gain = 1/8		2.7		$\mu\text{V}_{\text{RMS}}$
	Gain = 1/16		4.7		$\mu\text{V}_{\text{RMS}}$
	Gain = 1/32		8.5		$\mu\text{V}_{\text{RMS}}$
	Gain = 1/64		16		$\mu\text{V}_{\text{RMS}}$
<b>DIGITAL DATA MODE</b>					
Data clock rate			$f_{\text{CLK}}/16$		Hz
Ones-density full-scale modulation	+FS and -FS, respectively	25%		75%	
Signal bandwidth	-3 dB		8.2		kHz
<b>REFERENCE VOLTAGE INPUT (<math>V_{\text{REF}}</math>)</b>					
Reference voltage, $V_{\text{REF}} = V_{\text{REF}} - AVSS$		2.4	5	$AVDD + 0.25$	V
Reference input impedance	Operating		220		k $\Omega$
	Power-down		10		M $\Omega$
<b>SIGNAL SWITCH</b>					
Signal range		$AVSS$		$AVDD$	V
Current	Continuous			$\pm 50$	mA
Differential on-resistance	$V_{\text{SWIN}}, V_{\text{SWOUT}} = 0\text{ V}$		2.8		$\Omega$
Differential on-resistance flatness	$V_{\text{SWIN}}, V_{\text{SWOUT}} = AVDD$ to $AVSS$		0.7		$\Omega$
On-resistance match between outputs	$V_{\text{SWIN}}, V_{\text{SWOUT}} = 0\text{ V}$		0.04		$\Omega$
Off-leakage current <sup>(9)</sup>	$T_A = +25^\circ\text{C}$		$\pm 0.1$		nA
	$T_A = +85^\circ\text{C}$		$\pm 5$		
Off-isolation <sup>(10)</sup>			120		dB
<b>DIGITAL INPUT/OUTPUT (<math>DVDD = 1.65\text{ V}</math> to <math>3.6\text{ V}</math>)</b>					
$V_{\text{OH}}$	$I_{\text{OH}} = 1\text{ mA}$	$0.8 \times DVDD$			V
$V_{\text{OL}}$	$I_{\text{OL}} = 1\text{ mA}$			$0.2 \times DVDD$	V
$V_{\text{IH}}$		$0.8 \times DVDD$		$DVDD$	V
$V_{\text{IL}}$		DGND		$0.2 \times DVDD$	V
Input hysteresis			0.5		V
Input leakage				$\pm 10$	$\mu\text{A}$
$f_{\text{CLK}}$	CLK Input	1	4.096	4.225	MHz

(7)  $V_{\text{OUT}} = 0\text{ V}$ . Pulse mode output noise is measured by the ADS1282, over a 413-Hz bandwidth using ADC gain = 1.

(8)  $V_{\text{OUT}} = 0\text{ V}$ . DC noise is measured by the ADS1282, over a 413-Hz bandwidth using complementing gain. DC noise is referred to a 1.77-V full-scale ADC output. Divide output-referred noise by the ADC gain to yield input-referred noise.

(9) Switch input or output voltage =  $AVDD - 0.5\text{ V}$  to  $AVSS + 0.5\text{ V}$ .

(10)  $f = 31.25\text{ Hz}$ ,  $1.77\text{ V}_{\text{RMS}}$ . Switch output loaded  $2 \times 10\text{ k}\Omega$  to mid-supply range.

## Electrical Characteristics (continued)

Minimum and maximum specifications are at  $T_A = -40^{\circ}\text{C}$  to  $+85^{\circ}\text{C}$ . Typical specifications are at  $T_A = +25^{\circ}\text{C}$ ,  $AVDD = +2.5\text{ V}$ ,  $AVSS = -2.5\text{ V}$ ,  $f_{\text{CLK}} = 4.096\text{ MHz}$ ,  $V_{\text{REF}} = 5\text{ V}$ , and  $DVDD = 3.3\text{ V}$  (unless otherwise noted). Refer to [Figure 50](#). DAC1282A supports gains = 1/1, 1/4, and 1/16 only.

PARAMETER	TEST CONDITIONS	MIN	TYP	MAX	UNIT
<b>POWER SUPPLY</b>					
AVSS		-2.6		0	V
AVDD		AVSS + 4.75		AVSS + 5.25	V
DVDD		1.65		3.6	V
AVDD, AVSS current	Gain = 1/1, $V_{\text{OUT}} = 0\text{ V}$		7.4	8.5	mA <sup>(11)</sup>
	Pulse mode, $V_{\text{OUT}} = 0\text{ V}$		7		mA
	Shutdown		1	10	$\mu\text{A}$
DVDD current	Operating		180	300	$\mu\text{A}$
	Shutdown <sup>(12)</sup>		1	10	$\mu\text{A}$
Power	Operating		38	44	mW
	Shutdown <sup>(12)</sup>		10	85	$\mu\text{W}$
<b>TEMPERATURE RANGE</b>					
Specified temperature range		-40		+85	$^{\circ}\text{C}$
Operating temperature range		-50		+125	$^{\circ}\text{C}$
Storage temperature range		-65		+150	$^{\circ}\text{C}$

(11) Analog supply current scales with gain as follows:

$$I_{\text{AVDD}} \text{ and } I_{\text{AVSS}} = 0.016 \times V_{\text{REF}} \times (44 \times \text{Gain} + 1) + 3.8 \text{ (mA)}.$$

(12) Digital inputs stopped and maintained at  $V_{\text{IH}}$  or  $V_{\text{IL}}$  level.

## 7.5 Timing Requirements: Serial Peripheral Interface (SPI) Timing

At  $T_A = -40^\circ\text{C}$  to  $+85^\circ\text{C}$  and  $\text{DVDD} = 1.65\text{ V}$  to  $3.6\text{ V}$ , unless otherwise noted.

		MIN	MAX	UNIT
$t_{\text{CSSC}}$	$\overline{\text{CS}}$ low to first SCLK: setup time <sup>(1)</sup>	30		ns
$t_{\text{SCLK}}$	SCLK period	120		ns
$t_{\text{SPWH}}$	SCLK pulse width: high	50		ns
$t_{\text{SPWL}}$	SCLK pulse width: low <sup>(2)</sup>	50		ns
			$2^{18}$	$t_{\text{CLK}}$
$t_{\text{DIST}}$	Valid DIN to SCLK high: setup time	40		ns
$t_{\text{DIHD}}$	Valid DIN to SCLK high: hold time	20		ns
$t_{\text{DOPD}}$	SCLK low to valid new DOUT: propagation delay <sup>(3)</sup>		40	ns
$t_{\text{DOHD}}$	SCLK low to DOUT invalid: hold time		0	ns
$t_{\text{CSDOD}}$	$\overline{\text{CS}}$ low to DOUT driven: propagation delay <sup>(3)</sup>		40	ns
$t_{\text{CSDOZ}}$	$\overline{\text{CS}}$ high to DOUT Hi-Z: propagation delay		20	ns
$t_{\text{CSH}}$	$\overline{\text{CS}}$ high pulse	50		ns
$t_{\text{SCCS}}$	Last SCLK falling edge to $\overline{\text{CS}}$ high	0		ns

- (1)  $\overline{\text{CS}}$  can be tied low.  
 (2) Holding SCLK low longer than  $2^{18} f_{\text{CLK}}$  cycles resets the SPI interface.  
 (3) DOUT load =  $20\text{ pF} \parallel 100\text{ k}\Omega$  to DGND.

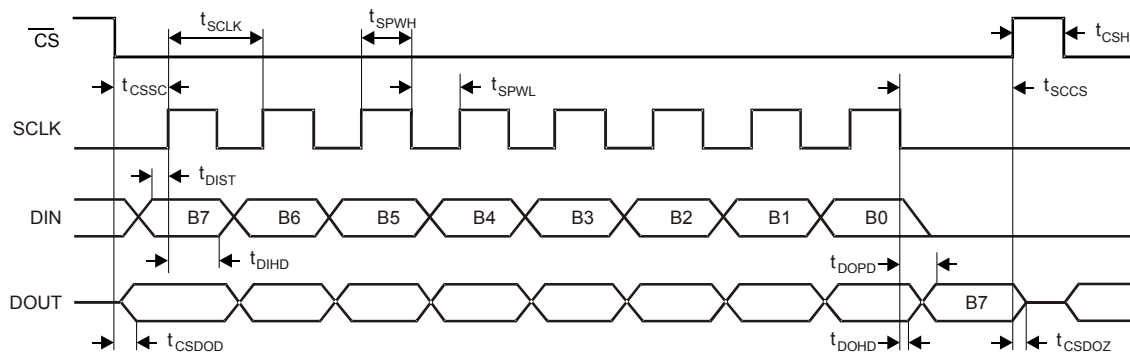


Figure 1. Serial Interface Timing



## 7.6 Typical Characteristics

At  $T_A = +25^\circ\text{C}$ ,  $AVDD = +2.5\text{ V}$ ,  $AVSS = -2.5\text{ V}$ ,  $DVDD = 3.3\text{ V}$ ,  $f_{\text{CLK}} = 4.096\text{ MHz}$ , and  $V_{\text{REF}} = 5\text{ V}$ , unless otherwise noted. DAC1282A supports gains = 1/1, 1/4, and 1/16 only.

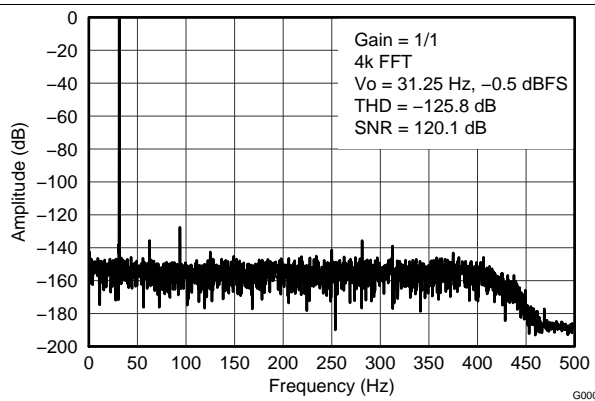


Figure 2. Output Spectrum Gain = 1/1

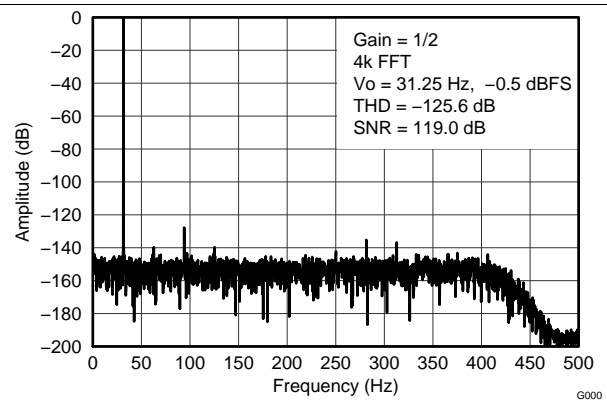


Figure 3. Output Spectrum Gain = 1/2

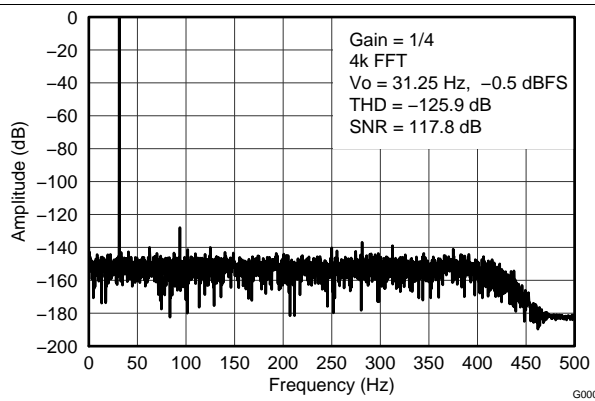


Figure 4. Output Spectrum Gain = 1/4

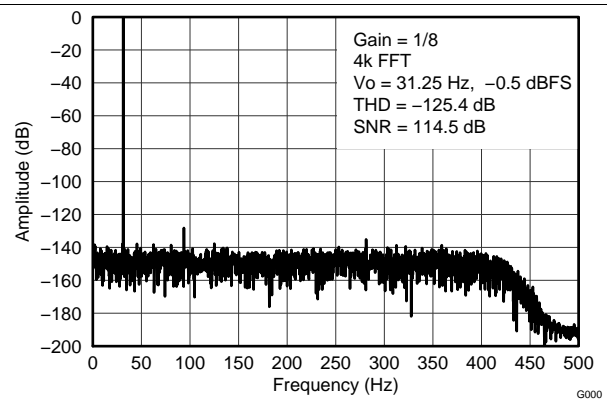


Figure 5. Output Spectrum Gain = 1/8

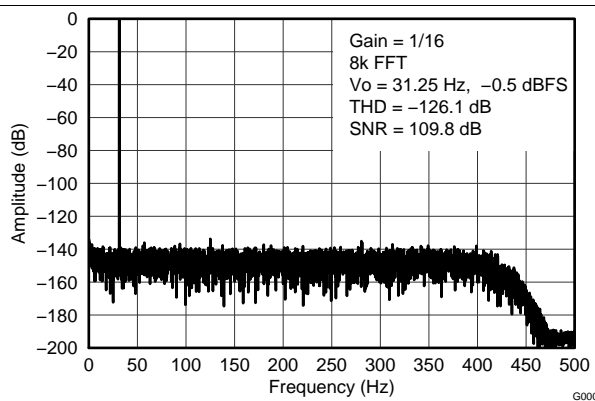


Figure 6. Output Spectrum Gain = 1/16

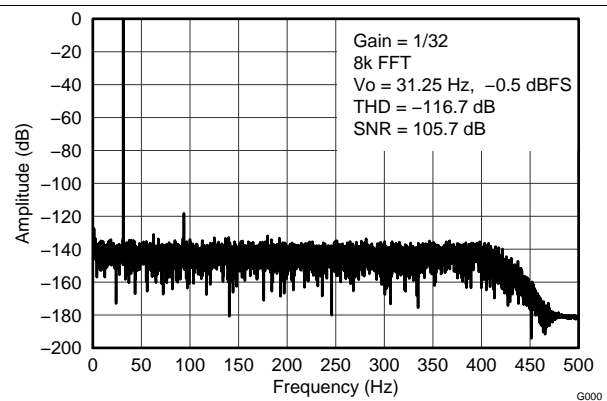


Figure 7. Output Spectrum Gain = 1/32

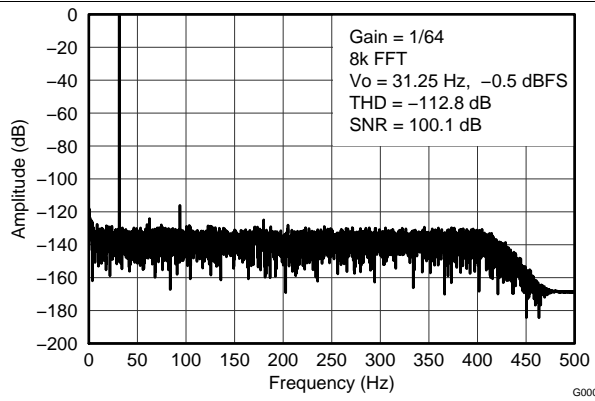
**DAC1282, DAC1282A**

SBAS490B – DECEMBER 2011 – REVISED MAY 2015

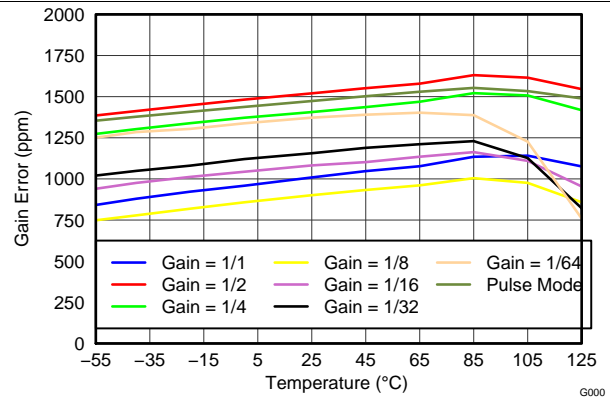
www.ti.com

**Typical Characteristics (continued)**

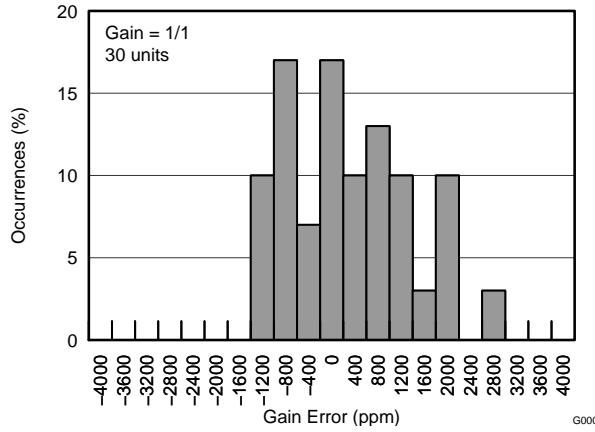
At  $T_A = +25^\circ\text{C}$ ,  $AV_{DD} = +2.5\text{ V}$ ,  $AV_{SS} = -2.5\text{ V}$ ,  $DV_{DD} = 3.3\text{ V}$ ,  $f_{CLK} = 4.096\text{ MHz}$ , and  $V_{REF} = 5\text{ V}$ , unless otherwise noted. DAC1282A supports gains = 1/1, 1/4, and 1/16 only.



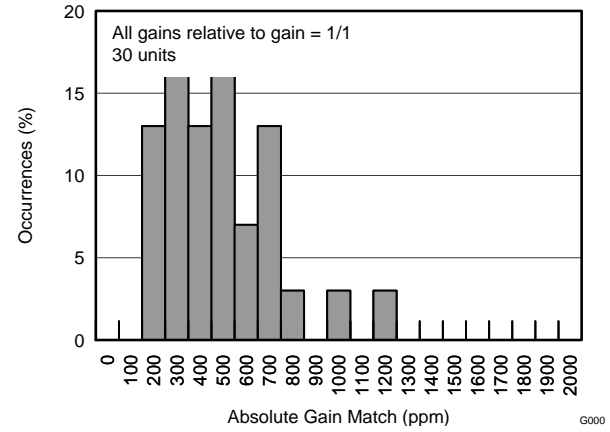
**Figure 8. Output Spectrum Gain = 1/64**



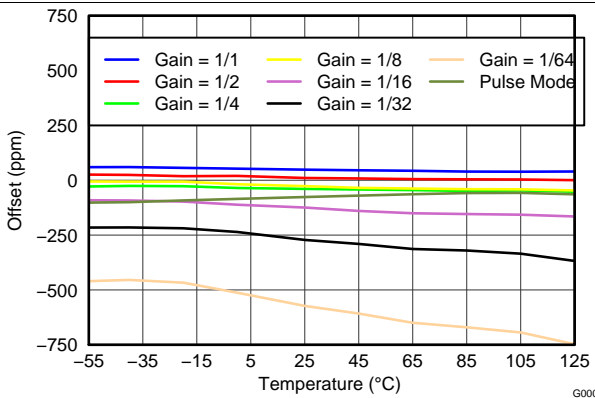
**Figure 9. Gain Error vs Temperature**



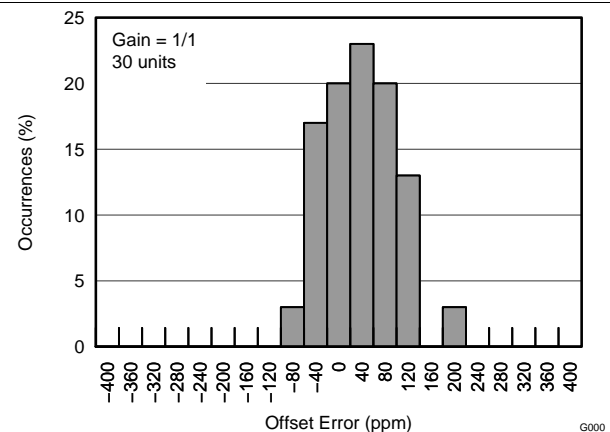
**Figure 10. Gain Error Histogram**



**Figure 11. Gain Match Histogram**



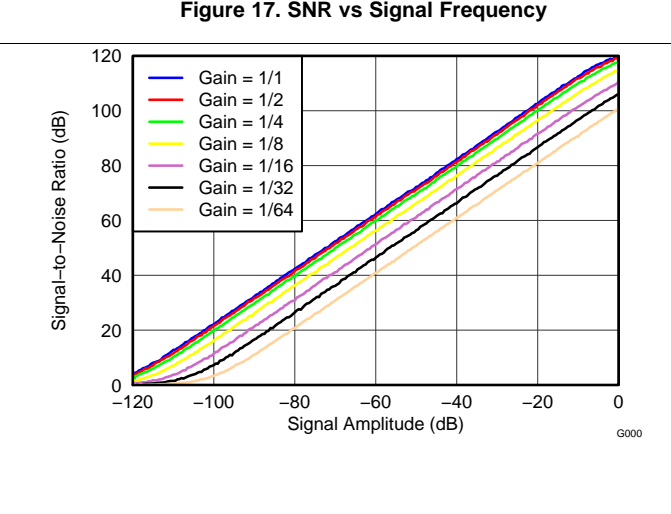
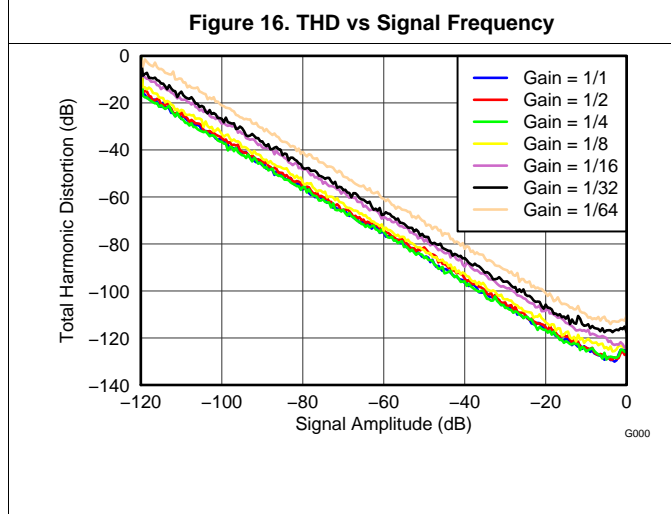
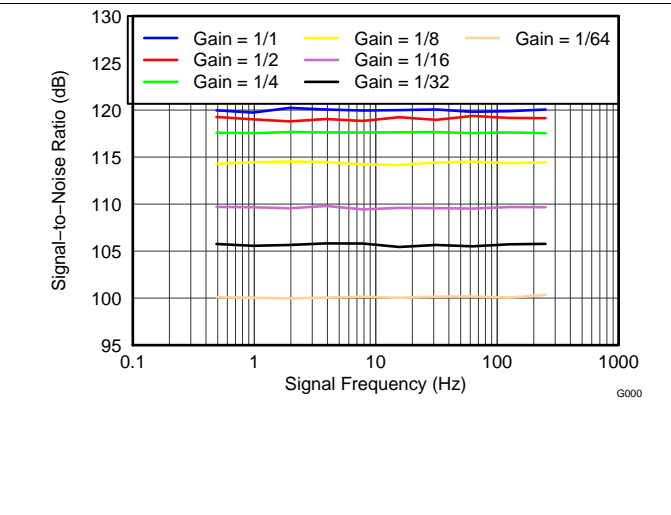
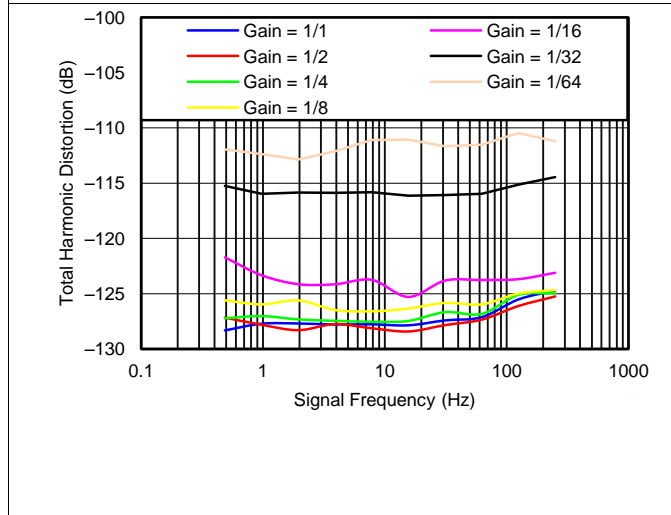
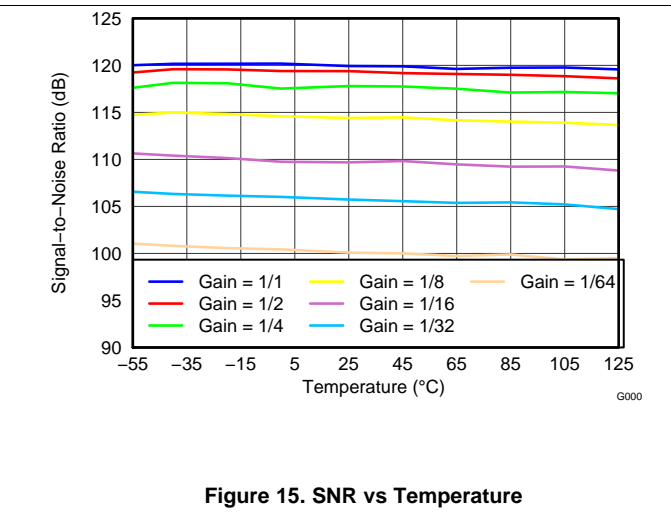
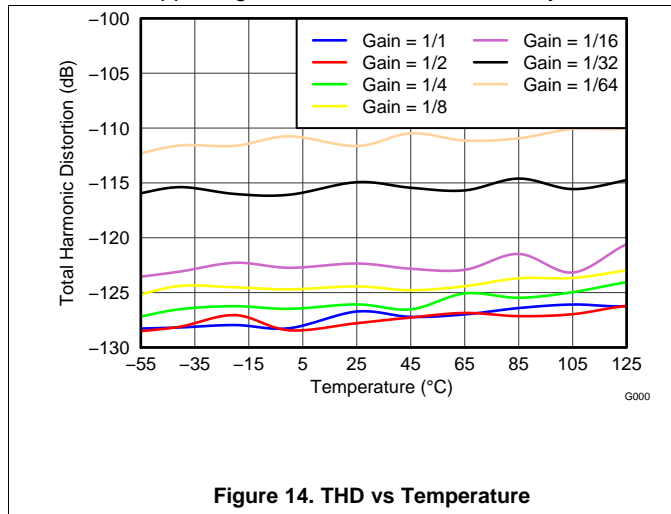
**Figure 12. Offset vs Temperature**



**Figure 13. Offset Histogram**

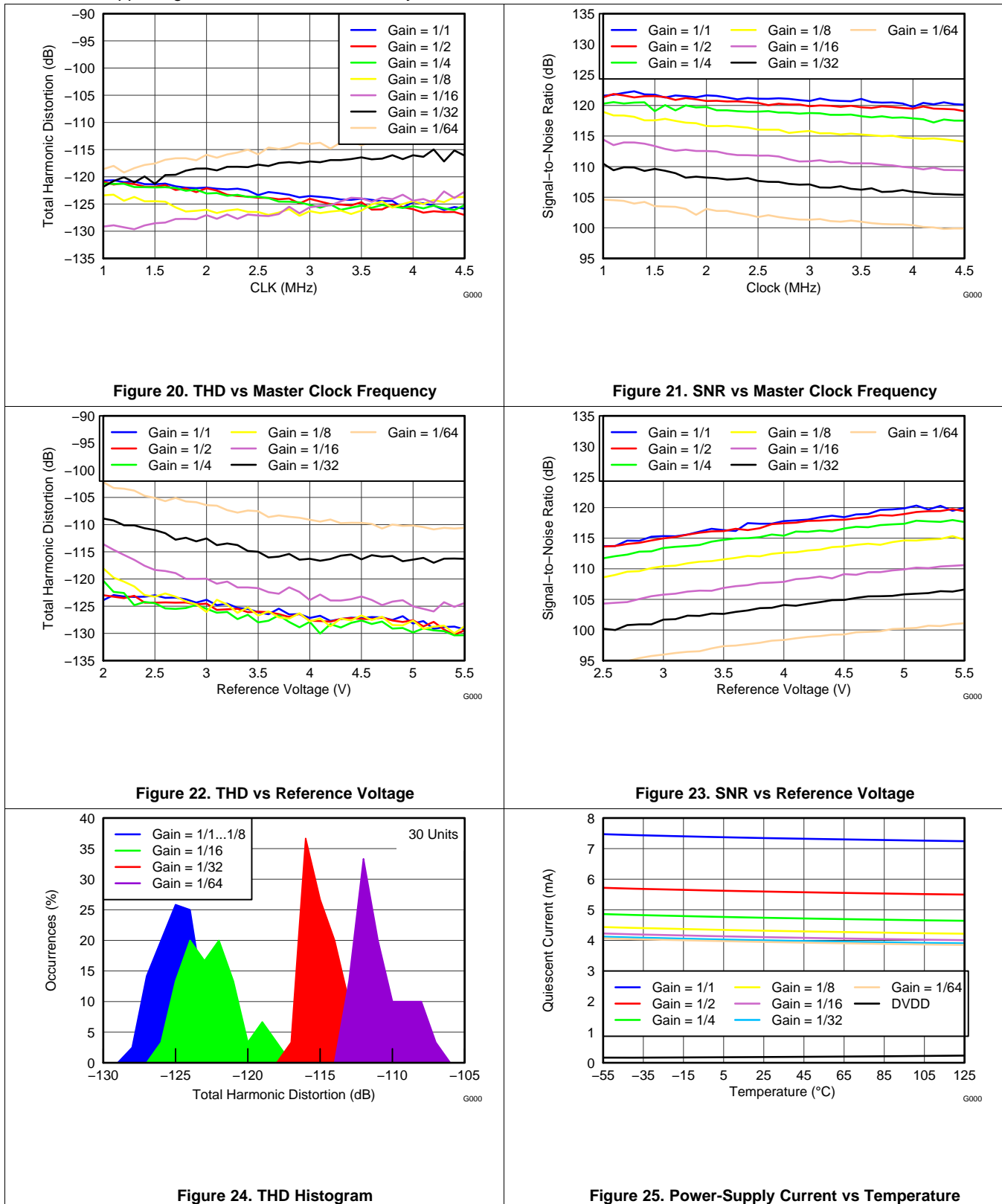
Typical Characteristics (continued)

At  $T_A = +25^\circ\text{C}$ ,  $AV_{DD} = +2.5\text{ V}$ ,  $AV_{SS} = -2.5\text{ V}$ ,  $DV_{DD} = 3.3\text{ V}$ ,  $f_{CLK} = 4.096\text{ MHz}$ , and  $V_{REF} = 5\text{ V}$ , unless otherwise noted. DAC1282A supports gains = 1/1, 1/4, and 1/16 only.



### Typical Characteristics (continued)

At  $T_A = +25^\circ\text{C}$ ,  $AV_{DD} = +2.5\text{ V}$ ,  $AV_{SS} = -2.5\text{ V}$ ,  $DV_{DD} = 3.3\text{ V}$ ,  $f_{CLK} = 4.096\text{ MHz}$ , and  $V_{REF} = 5\text{ V}$ , unless otherwise noted. DAC1282A supports gains = 1/1, 1/4, and 1/16 only.



Typical Characteristics (continued)

At  $T_A = +25^\circ\text{C}$ ,  $AV_{DD} = +2.5\text{ V}$ ,  $AV_{SS} = -2.5\text{ V}$ ,  $DV_{DD} = 3.3\text{ V}$ ,  $f_{CLK} = 4.096\text{ MHz}$ , and  $V_{REF} = 5\text{ V}$ , unless otherwise noted. DAC1282A supports gains = 1/1, 1/4, and 1/16 only.

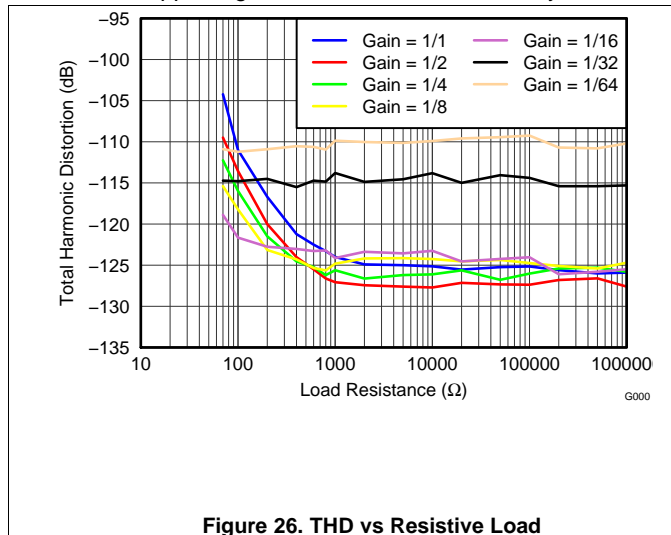


Figure 26. THD vs Resistive Load

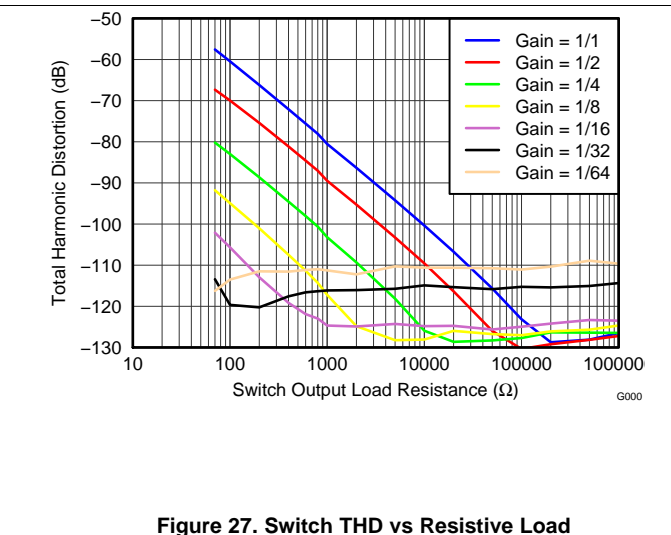


Figure 27. Switch THD vs Resistive Load

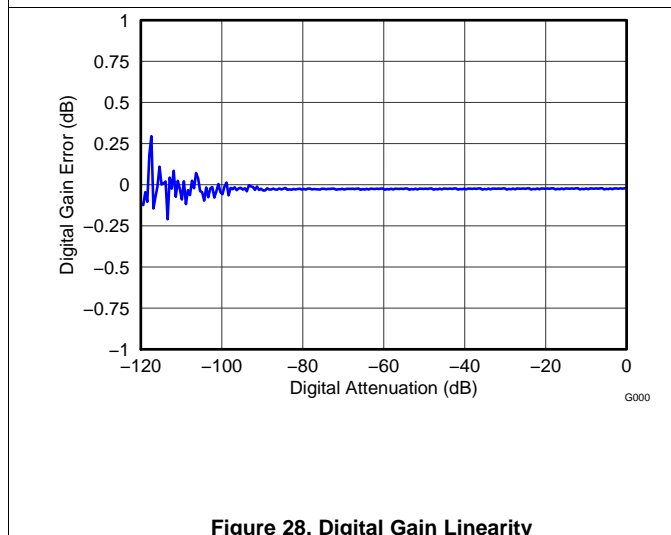


Figure 28. Digital Gain Linearity

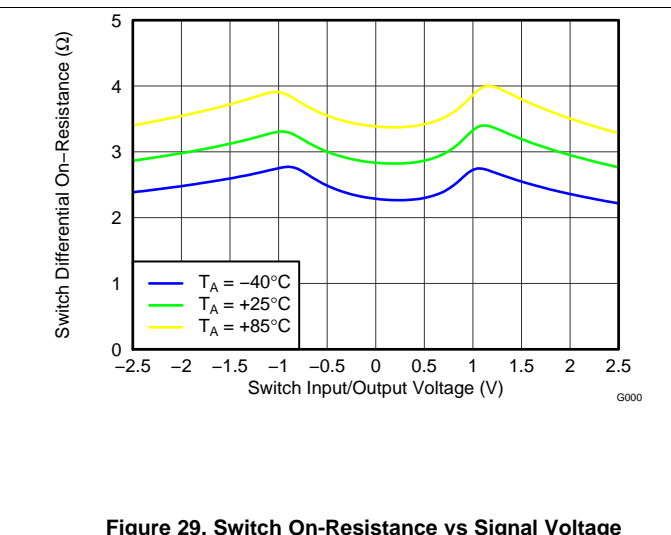


Figure 29. Switch On-Resistance vs Signal Voltage

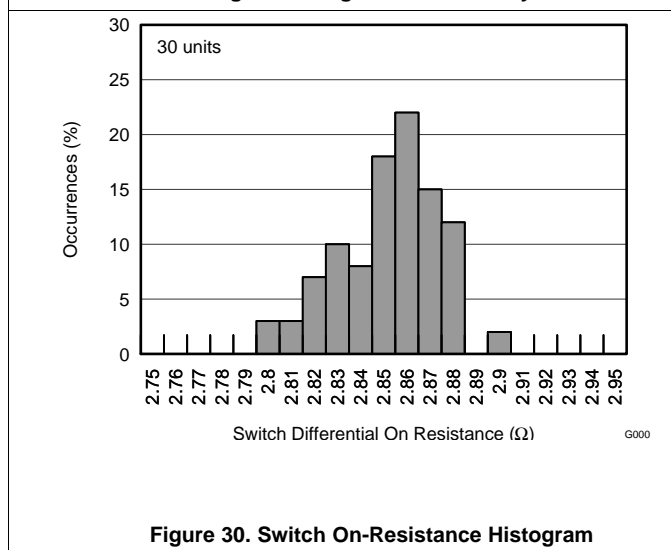


Figure 30. Switch On-Resistance Histogram

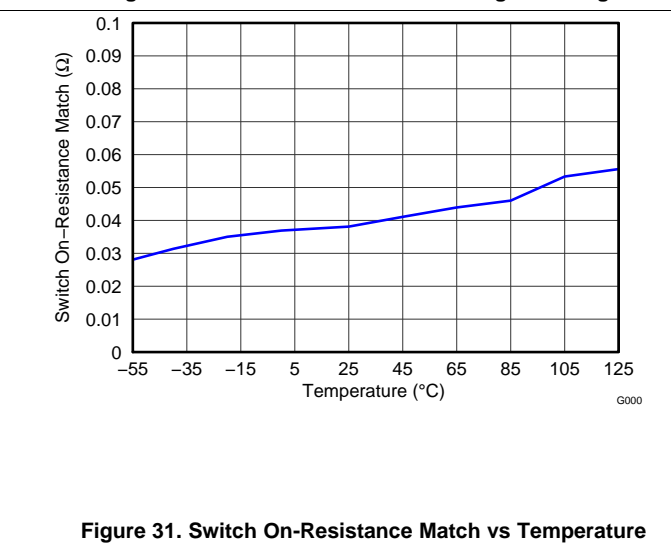


Figure 31. Switch On-Resistance Match vs Temperature

## 8 Detailed Description

### 8.1 Overview

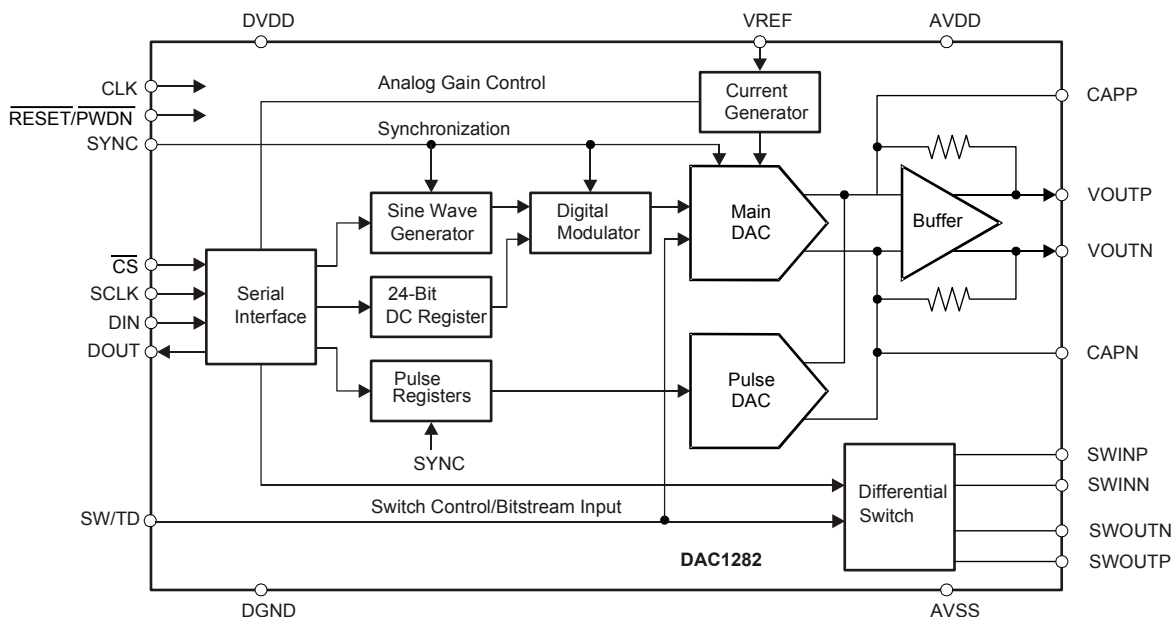
The DAC1282 is a single-chip, digital-to-analog converter (DAC) that self-generates low-distortion sine-wave and pulse-output signals for the demanding testing requirements of seismic recording equipment. Figure 32 shows the block diagram of the DAC1282.

The DAC1282A device is functionally equivalent to the DAC1282, except that the DAC1282A supports PGA gains of 1/1, 1/4, and 1/16 only. The DAC1282A also relaxes the THD specification of these gains. See the [Electrical Characteristics](#) section for more details.

The DAC1282 requires two supply voltages: analog and digital. The analog supply can be single 5 V or bipolar  $\pm 2.5$  V. The digital supply range is 1.65 V to 3.6V. The output signal common-mode voltage is regulated to 100 mV below the midpoint of the analog power-supply voltage. An internal power-on reset (POR) circuit resets the DAC on power-up.

An SPI™-compatible serial interface is used to access the DAC1282 registers for device configuration and control. The configuration registers can be read back by clocking the data out on the DOUT pin. The DAC1282 voltage output is fully differential and is taken out on the VOUTP/VOUTN pins. The CAPP/CAPN pins connect to external filter capacitors to reduce the output noise.

The reference input voltage sets the DAC1282 full-scale output. The DAC reference voltage is applied between the VREF and AVSS pins. The DAC is optimized to operate with a 5-V reference. The sine-wave generator is programmable by registers to set the sine frequency and amplitude. The frequency range is programmable from 0.4883 Hz to 250 Hz. The output level is controlled by both analog gain (in 6-dB steps), and digital gain (in 0.5-dB steps).



**Figure 32. DAC1282 Block Diagram**

The digital modulator takes the output from the sine-wave generator or the 24-bit dc register to generate the ones-density bitstream. The bitstream drives the main DAC. Optionally, ones-density data can be input to drive the DAC directly, bypasses the digital signal generator. The main DAC develops a differential output current that is converted to a differential output voltage by an internal current-to-voltage (I/V) amplifier. The output range is set by analog gain that scales the DAC current generator. The output amplifier provides current limit protection.

The dc mode is programmed by a 24-bit register and is used to provide a dc output. The dc mode also has programmable ranges controlled by the analog gain control.

## Overview (continued)

In Pulse mode, a fast-response, 5-bit pulse DAC is used to provide 31 preset dc levels. The levels span over the available output ranges. The pulse DAC is optimized to provide fast response with short output rise times. The pulse DAC is triggered by the SYNC pin for precision control of the pulse time.

The DAC1282 includes a low distortion differential output switch. The output switch can connect the DAC1282 output to sensors for THD and impulse testing. The switch is controlled by either pin or command, thus allowing precise switch timing.

The SYNC input synchronizes the output signal to a known time reference. In sine mode, SYNC resets the sine wave to the zero crossing. In Pulse mode, SYNC selects one of two user-programmed dc levels.

The  $\overline{\text{RESET}}/\overline{\text{PWDN}}$  pin powers down the device when low. When  $\overline{\text{RESET}}/\overline{\text{PWDN}}$  is released high, the DAC1282 is reset.

The SW/TD input is dual function. In digital data mode, the pin is the ones-density data input. In the other modes, SW/TD controls the opening/closing of the switch.

Figure 33 shows the main details of the main DAC. The main DAC provides the digital-to-analog conversion by filtering the ones-density digital data. In operation, the current generator establishes the range current that is mirrored to a multi-tap, current-steering filter stage. The current generator is controlled by the analog gain control register that scales the weight of the tap currents to one of seven ranges (0 dB to -36 dB).

The current-steering stage switches the tap currents to the positive or negative current summing nodes, as the digital input is sampled. A higher ones-density directs an increasing average current to one node than the other, thus increasing the differential current. The differential current is converted to differential voltage by the internal I/V converter stage. The common-mode current sources balance the current at the amplifier summing node.

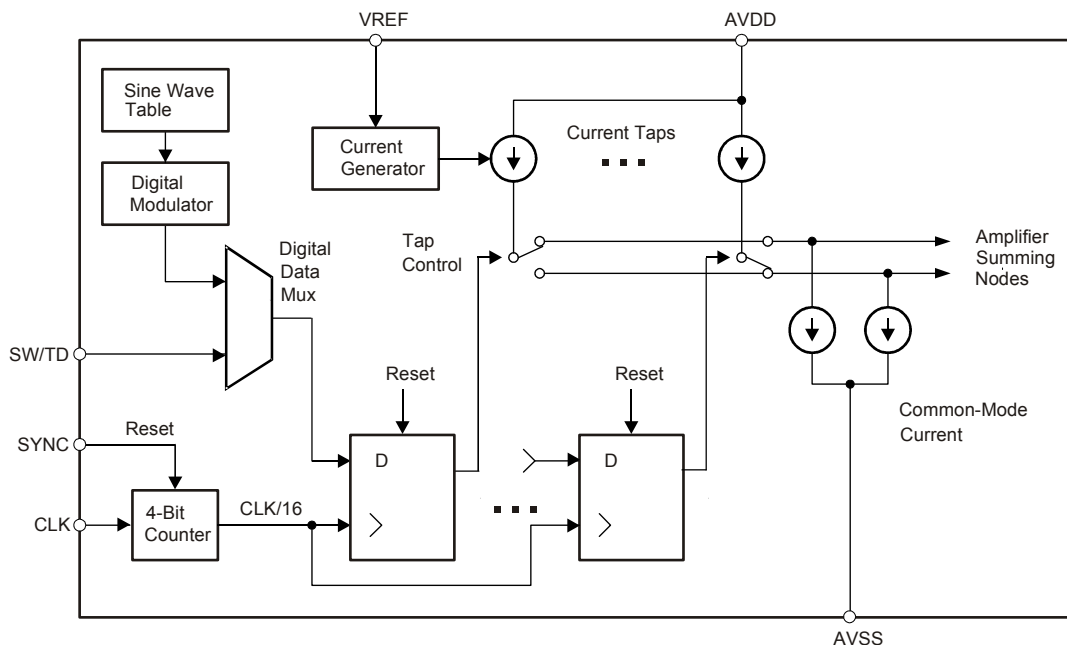


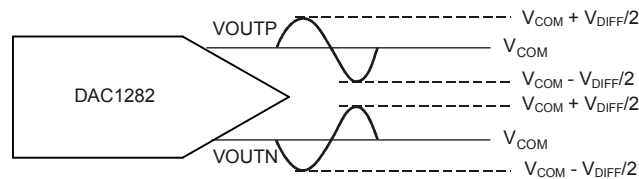
Figure 33. Main DAC Block Diagram

## 8.2 Feature Description

### 8.2.1 Signal Output (VOUTP, VOUTN)

As shown in [Figure 34](#), the DAC provides a differential voltage ( $V_{DIFF} = V_{OUTP} - V_{OUTN}$ ) on pins VOUTP and VOUTN. The output common-mode voltage ( $V_{COM}$ ) is regulated to 100 mV below the midpoint of the analog supply (AVDD – AVSS).

Each signal output swings above and below the common-mode voltage. Best performance is realized when the DAC output is used differentially. In power-down mode, the outputs enter a high-impedance, 3-state mode.



NOTE:  $V_{DIFF} = V_{OUTP} - V_{OUTN} = \pm 2.5 \text{ V} \times \text{Gain}$  ( $V_{REF} = 5 \text{ V}$ ).  
 $V_{COM} = -0.1 \text{ V}$  ( $\pm 2.5\text{-V}$  supplies) or  $2.4 \text{ V}$  ( $5\text{-V}$  supply).

**Figure 34. DAC Output Signal**

The DAC output buffer is rated to drive up to a 2-nF capacitive load (maximum) and a 100- $\Omega$  resistive load (minimum). However, degradation of THD performance results in resistive loads less than 1 k $\Omega$ , as shown in [Figure 26](#)

The internal digital modulator generates the signal to drive the DAC. The modulator shapes the in-band noise to high frequency and the frequency-shaped noise is present on the DAC output. However, the high frequency DAC output noise is rejected by the digital filter of the ADC and does not affect system performance.

The DAC sampling update noise is also present on the signal output. The sampling noise does not affect the ADC performance, but when testing the ADC near full-scale input, the noise can cause false indication of the ADC modulator overrange detection. The ADS1282 overrange output signal indication should be ignored when testing at or below the ADC full-scale input.



## Feature Description (continued)

### 8.2.2 DAC Modes

The DAC1282 has four operational modes of: sine, dc, pulse, and external digital data input. These modes are programmed by the MODE[1:0] bits in the GANMOD register, as shown in [Table 1](#).

**Table 1. DAC Modes**

MODE[1:0] BITS	DAC MODE
00	Sine
01	DC
10	Digital data
11	Pulse

#### 8.2.2.1 Sine Mode

In sine mode, the DAC1282 provides a sine-wave output. An internal signal generator develops the sine-wave signal. The M[3:0], N[7:0], and FREQ register bits program the output frequency. The frequency range is programmable from 0.4883 Hz to 250 Hz, as shown in [Equation 1](#).

$$\text{Output Frequency (Hz)}^{(1)} = \frac{250}{2^{\text{FREQ}}} \times \frac{\text{M}[3:0] + 1}{\text{N}[7:0] + 1}$$

where:

$$\text{M}[3:0] \leq \text{N}[7:0]$$

$$(1) \quad f_{\text{CLK}} = 4.096 \text{ MHz. The signal frequency scales with } f_{\text{CLK}}. \quad (1)$$

[Table 2](#) lists values of registers M and N for selected output frequencies.

**Table 2. Register Output Frequencies**

SIGNAL FREQUENCY (Hz) <sup>(1)</sup>	M[3:0] REGISTER BITS	N[7:0] REGISTER BITS	FREQ BIT
0.48828125	0000	1111 1111	1
0.9765625	0000	1111 1111	0
1.953125	0000	0111 1111	0
3.90625	0000	0011 1111	0
7.8125	0000	0001 1111	0
15.625	0000	0000 1111	0
31.25	0000	0000 0111	0
50	0000	0000 0100	0
55	1010	0011 0001	0
60	0101	0001 1000	0
62.5	0000	0000 0011	0
100	1001	0001 1000	0
125	0000	0000 0001	0
250	0000	0000 0000	0

(1)  $f_{\text{CLK}} = 4.096\text{MHz}$ . The signal frequency scales with  $f_{\text{CLK}}$ .

When the M or N registers are updated, the sine wave resets to the zero-crossing point. The sine wave can also be reset to the zero-crossing point by taking the SYNC pin high; see the [SYNC](#) section.

The amplitude of the sine-wave output is determined by analog and digital gains. The analog gain increments are 6 dB, from 0 dB to –36 dB, and are programmed by the GAIN[2:0] register bits. [Table 3](#) lists the analog gains.

**Table 3. Analog Gain**

ANALOG GAIN (V/V) <sup>(1)</sup>	ANALOG GAIN (dB) <sup>(2)</sup>	DIFFERENTIAL RANGE (V) <sup>(3)</sup>	GAIN[2:0] REGISTER BITS
1/1	0	±2.5	000
1/2	–6	±1.25	001
1/4	–12	±0.625	010
1/8	–18	±0.312	011
1/16	–24	±0.156	100
1/32	–30	±0.078	101
1/64	–36	±0.039	110

(1) The DAC1282A supports analog gains of 1/1, 1/4, and 1/16 only.

(2) Relative to 1.77 V<sub>RMS</sub> full-scale.

(3) V<sub>REF</sub> = 5 V, digital gain = 0 dB.

The digital gain resolution is in 0.5-dB increments, from 0 dB to full mute and is programmed by the SINEG[7:0] register bits. [Table 4](#) lists the digital gain setting. [Equation 2](#) is the amplitude setting in sine mode.

$$\text{Sine Amplitude (dB)} = \text{Analog Gain (dB)} + \text{Digital Gain (dB)} \quad (2)$$

Best SNR, for a given signal level, is achieved by reducing the analog gain while maximizing the digital gain.

**Table 4. Sine Mode Digital Gain**

SINE MODE DIGITAL GAIN (dB)	SINEG[7:0] REGISTER BITS
0	0000 0000
–0.5	0000 0001
–1.0	0000 0010
—	—
–119.5	1110 1111
Full mute	1111 0000
Full mute	1111 xxxx
Full mute	1111 1111

### 8.2.2.2 DC Mode

The DAC1282 provides a dc output mode with 24-bit available resolution. The output level is determined by the analog gain and the 24-bit dc registers.

The GAIN[2:0] register bits set the analog gain (see Table 3). The DCG[23:0] register bits set the 24-bit level over the selected analog range. Table 5 lists the digital gain settings in dc mode.

**Table 5. DC Mode Digital Gain Settings**

DIFFERENTIAL OUTPUT VOLTAGE (V) <sup>(1)</sup>	DCG[23:0] REGISTER BITS
+2.5 x Gain	7FFFFFFh
+1.25 x Gain	3FFFFFFh
0	0
-1.25 x Gain	C00000h
-2.5 x Gain	800001h

(1)  $V_{REF} = 5$  V. Ideal output voltage excluding gain, offset, linearity and noise errors..

### 8.2.2.3 Pulse Mode

In pulse mode, a fast responding, 5-bit pulse DAC is used to generate the output. The pulse DAC is designed to approximate a linear-in-dB output function, allowing the generation of pulse test signals across all ranges. Two registers are used to preset the DAC output. The SYNC pin is used to select one of the two registers. When SYNC is low, the PULSA register value drives the DAC; when SYNC is high, the PULSB register value drives the DAC. The pulse registers can be programmed to yield differential outputs from -2.5 V to +2.5 V. Note that the pulse levels scale with  $V_{REF}$  and are independent of the analog gain settings. Table 6 lists the programmable range of the pulse A and pulse B registers.

**Table 6. Pulse Register Values**

OUTPUT (V) <sup>(1)</sup>	PULSA[4:0], PULSB[4:0]	OUTPUT (V) <sup>(1)</sup>	PULSA[4:0], PULSB[4:0]
+2.50	01111	-0.020	11111
+1.88	01110	-0.029	11110
+1.25	01101	-0.039	11101
+0.938	01100	-0.058	11100
+0.625	01011	-0.078	11011
+0.469	01010	-0.117	11010
+0.312	01001	-0.156	11001
+0.234	01000	-0.234	11000
+0.156	00111	-0.312	10111
+0.117	00110	-0.469	10110
+0.078	00101	-0.625	10101
+0.058	00100	-0.938	10100
+0.039	00011	-1.25	10011
+0.029	00010	-1.88	10010
+0.020	00001	-2.50	10001
0	00000		

(1)  $V_{REF} = 5$  V. Ideal pulse mode differential output, values are rounded and exclude noise, offset, gain, and linearity errors.

Note that when pulse testing the ADC, the ADC digital filter time domain response has characteristic overshoot and ringing. As a result of the ADC filter overshoot, input levels close to ADC full scale may cause clipping of the ADC output code.

### 8.2.2.4 Digital Data Mode

In digital data mode, the DAC internal signal generator is bypassed and the DAC is driven instead by applying a bitstream input. Arbitrary DAC output waveforms can be generated by application of custom digital data patterns. The data format in this mode is ones-density modulated input at CLK/16 data rate (256 kHz). The input is applied to the SW/TD input pin. The DAC1282 output in digital data mode is defined in [Equation 3](#).

$$\text{Digital Data Mode Differential Output} = V_{\text{OUTP}} - V_{\text{OUTN}} = V_{\text{REF}}/2 \times \text{Gain} \times (\text{TD} - 50\%)/25\%$$

where:

$V_{\text{REF}}$  is 5-V nominal,

Gain is the analog gain (1/1 to 1/64),

TD is the bitstream ones-density from 25% to 75%.

(3)

The DAC1282 filters the digital data (bitstream) input providing a voltage output proportional to the bitstream ones-density. The GAIN[2:0] register sets the analog gain in 6-dB steps, from 0 dB to –36 dB (1/1 to 1/64); see the [SYNC](#) section for the external timing requirements. [Table 7](#) lists several values of the external bitstream input.

**Table 7. External Bitstream Input**

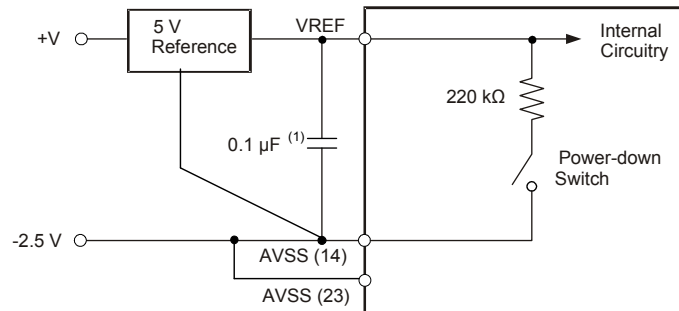
ONES-DENSITY BITSTREAM (%)	V <sub>OUTP</sub> – V <sub>OUTN</sub> (V) <sup>(1)</sup>
25	–2.5 × Gain
37.5	–1.25 × Gain
50	0
62.5	+1.25 × Gain
75	+2.5 × Gain

(1)  $V_{\text{REF}} = 5$  V. Gain is the analog gain, programmable from 1/1 to 1/64 (0 dB to –36 dB).

### 8.2.3 Reference Voltage ( $V_{REF}$ )

The DAC1282 requires an external reference for operation. Although reference voltage as low as 2.5 V can be used, best SNR is achieved with a 5-V reference. The reference input is defined as the voltage difference between VREF and AVSS (that is,  $V_{REF} = VREF - AVSS$ ). The DAC1282 output scales with  $V_{REF}$ ; consequently, reference noise or drift appears on the DAC output. Excessive reference noise may lead to degraded SNR. A low-drift and low-noise reference is recommended.

Connect the external reference ground pin directly to the AVSS pins using a star connector to AVSS pin 14. Star connection minimizes the possibility of power-supply crosstalk. Also, connect a 0.1- $\mu$ F capacitor close to the VREF and AVSS terminals to reduce noise susceptibility. Figure 35 shows the reference connection. The reference input impedance is 220 k $\Omega$ . In power-down the switch is off, resulting in very high input impedance. For single-supply applications, connect AVSS to a clean analog ground point.



(1) Recommended bypass capacitor.

Figure 35. Reference Input Connection

### 8.2.4 Output Filter (CAPP, CAPN)

The CAPP and CAPN pins are the connections for two external capacitors, one capacitor connects to CAPP and VOUTP and the other capacitor connects to CAPN and VOUTN. The capacitors are required to filter the DAC sampling noise. The capacitor values are 1 nF; capacitors with low voltage coefficients should be used (C0G ceramic or film).

As seen in Figure 36, the external capacitors form an analog low-pass filter with the internal feedback resistors. After step changes to the data in the sine, dc, and digital data modes, the settling of the DAC and the analog filter is 100- $\mu$ s typical, as shown in Figure 46. In pulse mode, the filter is internally disabled, yielding shorter settling time.

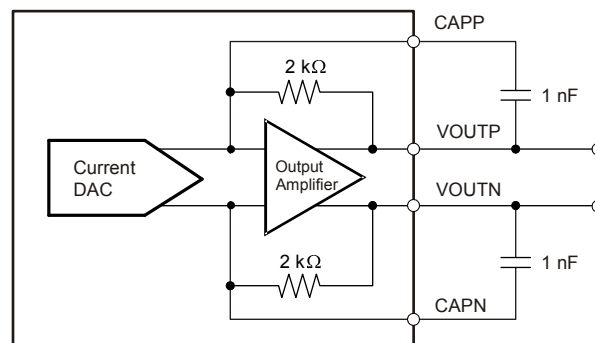
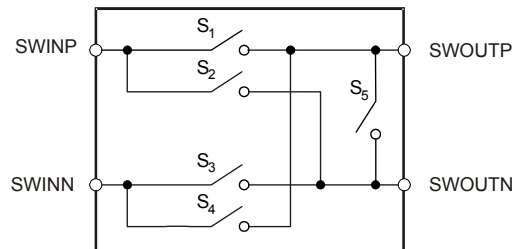


Figure 36. Output Filter

### 8.2.5 Output Switch (SWINP, SWINN, SWOUTP, SWOUTN)

The DAC1282 has an integrated output switch. The switch can be used to route the DAC output signal to a sensor for pulse, THD, and common-mode testing. The switch has low on-resistance and matched elements to minimize signal distortion. The switch input voltage range extends to the analog power supply.

The switch is controlled by three register bits, SW[2:0], and is also controlled by the SW/TD input pin. The switch integrates break-before-make operation when the register or the SW/TD input control is changed. The SW/TD input can be used to force the switch open for precise timing control of sensor impulse testing; see the [Switch Control/DAC Data Input \(SW/TD\)](#) section. [Figure 37](#) and [Table 8](#) describe the switch operation.



**Figure 37. DAC1282 Signal Switch**

Note that when the DAC is in power-down mode, the switch is forced open.

As shown in [Figure 29](#), the switch on-resistance varies with the switch signal level. When the switch is used to route the signal and a resistive load is connected to the switch output, the switch on-resistance variations interact with the load resistance and cause the THD to degrade. [Figure 27](#) illustrates the dependence of THD versus switch load resistance. The dependence of THD data was taken with a full-scale signal.

**Table 8. Switch Connections**

DESCRIPTION	PIN CONNECTIONS	SWITCHES CLOSED	SW[2:0] REGISTER BITS
Open (default)	Open	None	000
Differential	SWINP to SWOUTP and SWINN to SWOUTN	S1, S3	001
Differential reverse	SWINP to SWOUTN and SWINN to SWOUTP	S2, S4	010
Common-mode positive	SWINP to SWOUTP and SWOUTN	S1, S2	011
Common-mode negative	SWINN to SWOUTP and SWOUTN	S3, S4	100
Single-ended positive	SWINP to SWOUTP	S1	101
Single-ended negative	SWINN to SWOUTN	S3	110
Output short	SWOUTP to SWOUTN	S5	111

### 8.2.6 Clock Input (CLK)

The CLK pin is the master clock input to the DAC1282, nominally 4.096 MHz. As with any high-performance data converter, a high-quality clock source is essential. A crystal oscillator or low-jitter PLL clock source is recommended. Make sure to avoid ringing on the input by keeping the trace short and source-terminating (typically 50 Ω). See the CLK specifications shown in [Figure 38](#) and [Table 9](#).

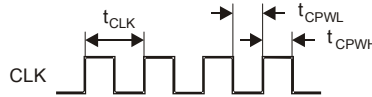


Figure 38. CLK Timing Requirements

Table 9. Requirements for [Figure 38](#)

SYMBOL	DESCRIPTION	MIN	MAX	UNIT
$t_{CLK}$	CLK period	235	1000	ns
$t_{CPWH, L}$	CLK pulse width high or low	95	900	ns

### 8.2.7 Switch Control/External Digital Input (SW/TD)

SW/TD is a multi-function digital input pin. The SW/TD function depends on the mode of operation.

#### 8.2.7.1 SW Function

In sine, dc, and pulse mode, SW/TD controls the output switch. When SW/TD is low, all switches are forced open, overriding the switch register setting (SW[2:0]). When SW/TD is high, the switch is transparent to the value of register setting. In power-down mode, the switch is forced open.

#### 8.2.7.2 TD Function

In digital input mode, SW/TD is the signal input used to drive the DAC. The data input are modulated by ones-density and are clocked in by the master clock (CLK). When the ones-density is 75% (that is, on average, three out of four bits are '1'), the differential output voltage is at the positive maximum value. When the ones-density is 25% (that is, on average, three out of four bits are '0'), the differential output voltage is at the negative maximum value. When the ones-density is 50% (on average, an equal number of '0's and '1's), the differential output is zero.

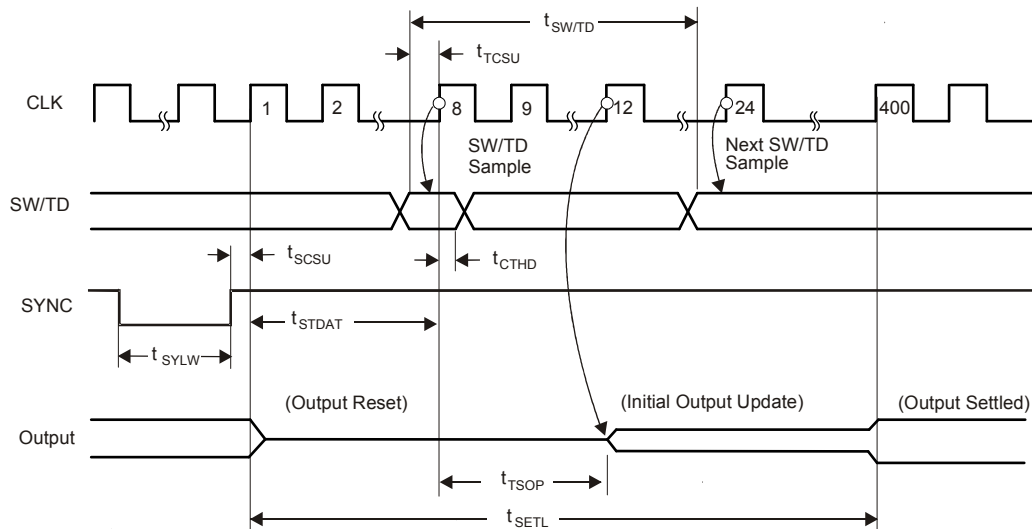
SW/TD is sampled by the DAC1282 at the rate of CLK/16. Therefore, the sampling can have  $\pm 8$  CLK periods of uncertainty. SYNC can be used to eliminate the uncertainty by synchronizing the phase of SW/TD to the desired CLK cycle. Synchronizing the digital input results in a consistent phase of the output signal; see the [SYNC](#) section.

The output range is set by the analog gain bits, GAIN[2:0]; see [Table 3](#). [Equation 3](#) describes the DAC output versus the bitstream input ones-density. Make sure to avoid ringing on the input by keeping the trace short. In some cases, source-terminating resistors may be necessary (20 Ω to 50 Ω).

## 8.2.8 SYNC

SYNC is a digital input used to synchronize the DAC1282 output.

In the digital data mode, the DAC input is a ones-density bitstream. In this mode, the SYNC pin synchronizes the sampling of SW/TD digital data to the desired master clock cycle (CLK). When SYNC is low or high, the DAC operates normally. When SYNC is taken from low to high, the DAC output is reset to zero and the sample instant of SW/TD is reset to the eighth rising CLK edge that follows. The SW/TD is then regularly sampled on subsequent 16 CLK intervals. After synchronization, the DAC output is not settled and achieves full settling 400 CLK periods later, as shown in Figure 39.



**Figure 39. Digital Data Mode Synchronization**

**Table 10. Timing Characteristics for Figure 39<sup>(1)</sup>**

SYMBOL	DESCRIPTION	MIN	TYP	UNIT
$t_{SCSU}$	SYNC high to CLK high setup time	30		ns
$t_{TCSU}$	SW/TD to CLK high setup time	30		ns
$t_{CTHD}$	CLK high to SW/TD hold time	10		ns
$t_{SYLW}$	SYNC low pulse width	2		$t_{CLK}$
$t_{STDAT}$	CLK high after SYNC high to SW/TD sample time		8	$t_{CLK}$
$t_{TSOP}$	SW/TD sample to output update		4	$t_{CLK}$
$t_{SW/TD}$	SW/TD period		16	$t_{CLK}$
$t_{SETL}$	SYNC high to fully-settled output		400	$t_{CLK}$

(1) DVDD = 1.65 V to 3.6 V.



In sine mode, the SYNC rising edge resets the DAC output to differential 0 V (sine-wave zero-crossing point). When SYNC is high or low, the output is unaffected. When SYNC is taken from low to high, the output resets on the following CLK rising edge. SYNC must be pulsed low for a minimum of 2 CLK cycles. The SYNC input can be applied simultaneous to the DAC and the ADS1282 (ADC in pulse-sync mode).

To synchronize the DAC, observe SYNC to the CLK timing requirements shown in Figure 40. That is, the SYNC rising edge should be applied before the set-up time or after the hold time specifications. If the SYNC timing requirement is not met, the DAC may synchronize with one clock cycle timing error.

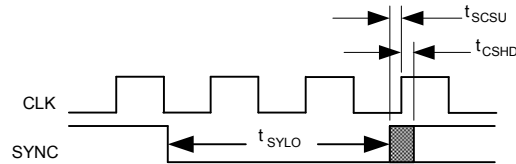


Figure 40. Sine Mode Synchronization

Table 11. Timing Characteristics for Figure 40<sup>(1)</sup>

SYMBOL	DESCRIPTION	MIN	UNIT
$t_{SYLO}$	SYNC pulse width low	2	$t_{CLK}$
$t_{SCSU}$	SYNC rising edge to CLK rising edge setup time	30	ns
$t_{CSHD}$	CLK rising edge to SYNC rising edge hold time	40	ns

(1) DVDD = 1.65 V to 3.6 V.

In pulse mode, the SYNC pin selects one of two pre-programmed pulse levels. The pulse levels are programmable from +2.5 V to –2.5 V in approximately 3-dB steps by pulse level registers PULSA and PULSB. When SYNC is low, the value of the PULSA register drives the DAC; when SYNC is high, the value of the PULSB register is the code of the DAC, as shown in Figure 41. When the SYNC pin is changed, the DAC output updates immediately to the new code.

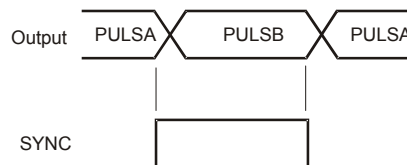
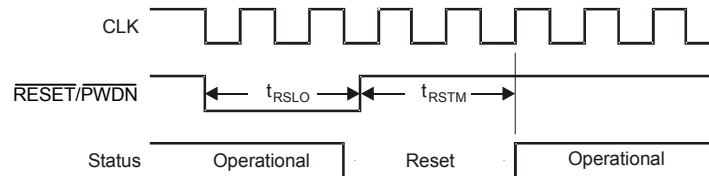


Figure 41. Sync Operation in Pulse Mode

### 8.2.9 RESET/PWDN

The  $\overline{\text{RESET/PWDN}}$  is a digital input used to power-down and reset the DAC1282. To power-down the DAC, take the pin low. In power-down mode, the power consumption is reduced to a device leakage level (see the [Electrical Characteristics](#) table). The signal output and digital pin DOUT enters 3-state and the output switch is driven off. Note that the digital inputs must remain defined as either logic low or logic high; do not float the inputs. Disable the CLK input to minimize leakage. To exit the power-down state, take the pin high. The DAC1282 is reset after power-down mode is exited.

The DAC1282 is reset by taking the  $\overline{\text{RESET/PWDN}}$  pin low for a minimum of two  $f_{\text{CLK}}$  cycles and is then taken back high. The DAC1282 is held in reset for 2  $f_{\text{CLK}}$  cycles; after this time, DAC communications may begin, as shown in [Figure 42](#) and [Table 12](#).



**Figure 42. DAC RESET/PWDN**

**Table 12. Timing Characteristics for [Figure 42](#)**

SYMBOL	DESCRIPTION	MIN	MAX	UNIT
$t_{\text{RSLO}}$	$\overline{\text{PWDN/RESET}}$ pulse width low for power-down	500		ns
$t_{\text{RSTM}}$	$\overline{\text{PWDN/RESET}}$ high to begin operation		500	ns

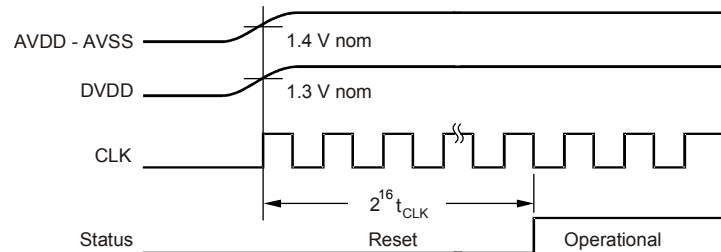
### 8.2.10 AVDD, AVSS, and DVDD Power Supplies

The DAC1282 has two power supplies: analog and digital. The analog supply (AVDD, AVSS) is 5 V and can either be single 5 V or dual ( $\pm 2.5$  V). The analog supply should be clean and free from noise and ripple. The DAC1282 regulates the output common-mode voltage to 0.1 V below the mid-point of the analog supply. Because the analog supply pins draw signal-dependent current and AVSS (pin 14) is internally shared with the reference input low, trace resistance between AVSS (pin 14) and the AVSS power supply should be minimized or degraded performance may result. Therefore, connect the external reference ground terminal close to the device AVSS terminal using a star connection. This configuration helps to minimize power-supply coupling to the reference input.

DVDD is the digital supply used to power both the internal digital and the device I/O pins. The allowable range of DVDD is 1.65 V to 3.6 V.

The power supplies can be sequenced on or off in any order, but the analog or digital inputs should never exceed AVDD or AVSS, or DVDD, respectively. In such an event, the internal ESD protection diodes may begin to conduct. The input current must always be limited as specified in the [Absolute Maximum Ratings](#) table.

At power-on, when the latter of DVDD exceeds approximately 1.3 V, or the difference of AVDD – AVSS exceeds approximately 1.4 V, an internal power-on reset (POR) occurs. During POR, the device is held in a reset condition for a period of  $2^{16} f_{\text{CLK}}$  periods as shown in Figure 43. During this time, the DAC1282 output is held at 0 V, differential. SPI communications are not possible during this time. After the reset time elapses, the default settings are loaded: 31.25 Hz, 28 mV<sub>RMS</sub> amplitude, and output switch off. SPI communications can then be started.



**Figure 43. Power-On Sequence**

### 8.2.10.1 Power Consumption

The power consumed by the DAC1282 depends on the analog gain. Table 13 shows the DAC power consumption.

**Table 13. Power Consumption**

ANALOG GAIN	POWER (mW) <sup>(1)</sup>
1/1	38
1/2	28
1/4	23
1/8	21
1/16	20
1/32	20
1/64	20

(1) Typical power consumption with  $V_{\text{REF}} = 5 \text{ V}$  and  $V_{\text{OUT}} = 0 \text{ V}$ . Excludes pulse mode.

### 8.2.10.2 Offset and Gain Error

The DAC1282 features a low offset error ( $\pm 7/\text{Gain} + 50 \text{ ppm FS}$  typical) and low gain error (0.1 % typical). Offset and gain drift are also very low for the DAC1282. Drift is calculated using the box calculation method of Equation 4:

$$\text{Drift Calculation} = (\text{Max} - \text{Min}) / \text{Temperature Range (ppm/}^\circ\text{C)}$$

Where:

Max and Min are, respectively, the maximum and minimum offset and gain errors (in ppm) recorded over the specified temperature range of  $-40^\circ\text{C}$  to  $+85^\circ\text{C}$ . (4)

Gain match is the gain error of Gain = 1/1 relative to all analog gains.

### 8.2.10.3 Signal-to-Noise Ratio (SNR)

The DAC1282 achieves excellent signal-to-noise ratio (SNR) performance. The SNR data are obtained using the DAC circuit of Figure 50 and data captured by the ADS1282.

SNR is measured with a signal level of  $-0.5 \text{ dBFS}$  and a 31.25-Hz test frequency, then taking the fast fourier transform (FFT) of 4096 data points from the ADS1282, using complementing gains. The noise power is calculated over the bandwidth of 413 Hz (1-ms sample period). The dc, fundamental, and harmonic bins are removed to calculate the SNR. The SNR measurement represents the combination of the ADS1282 SNR and the SNR of the DAC1282.

### 8.2.10.4 DC Noise

DC noise data are obtained using the DAC circuit of [Figure 50](#) with data captured by the ADS1282. The noise is measured in dc mode with the output voltage set to 0 V differential. The ADC gain is set to the complement of the DAC gain for each output range. The noise is the standard deviation of 4096-point ADC acquisition record (RMS noise, referred-to-output).

### 8.2.10.5 Total Harmonic Distortion (THD)

The DAC1282 achieves excellent THD performance. The THD data are obtained using the DAC circuit of [Figure 50](#) and captured by the ADS1282. The ADC gain is set to the complement of the DAC gain for each output range.

THD is measured with a  $-0.5$ -dBFS output signal level and a 31.25-Hz test frequency, then taking the FFT of the 4096-point ADC acquisition record. The ADC data points are increased to 16,384 for gains of 1/16, 1/32, and 1/64 for improved rendition of harmonics as a result of the higher noise floor. The THD measurement represents the combination of the ADS1282 THD and the DAC1282 THD.

### 8.2.11 Step Response

The step response of the DAC depends on the mode. In pulse mode, the DAC disables the external analog filter formed by capacitors CAPP, CAPN. Disabling the analog filter in conjunction with the fast response pulse DAC results in noticeably faster rise time and shorter settling time. Note that additional filter components in the signal path may also affect the response time.

[Figure 44](#) shows the pulse mode step response after the SYNC pin transition. [Figure 45](#) shows the pulse mode detail settling to 0.1% of final value after the SYNC pin transition.

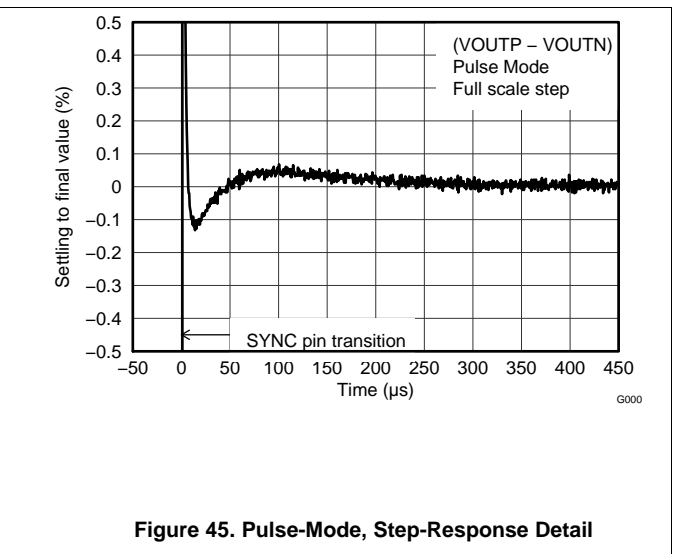
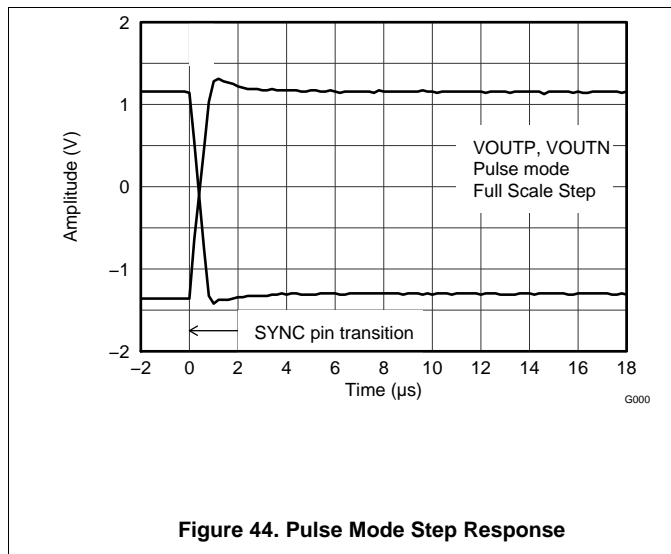


Figure 46 shows the step response time of the dc mode. The step response of sine and digital data mode have similar settling times. Note that additional filter components in the signal path may also affect the response time.

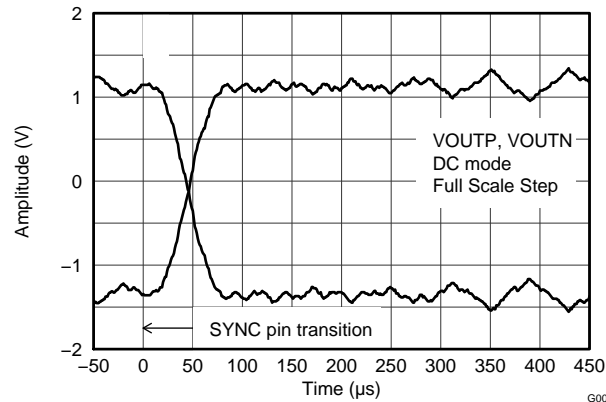


Figure 46. DC-Mode Step Response

### 8.2.12 Frequency Response

The DAC internal signal generator is capable of output signal frequencies from 0.489 Hz to 250 Hz. Frequencies outside of this range are also possible by driving the DAC directly with an external digital input (bitstream). However, the DAC low-pass filters the digital input and results in a  $\text{sinc}/x$  frequency response. The  $-3$  dB signal bandwidth of the DAC filter is 8.2 kHz. Figure 47 illustrates the DAC1282 frequency response. Note that high-order noise-shaped digital inputs may limit the useable frequency range as a result of rising noise.

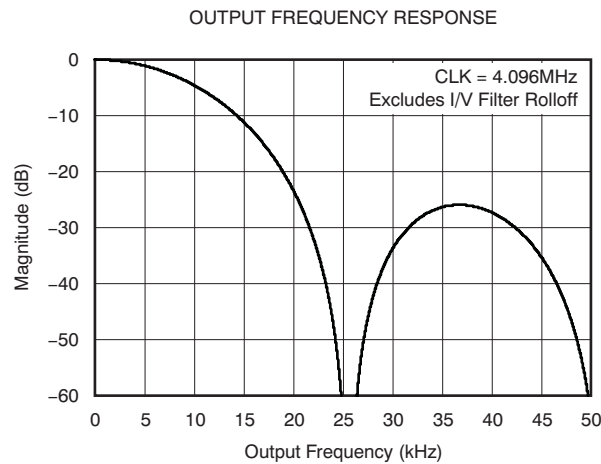


Figure 47. DAC Frequency Response

## 8.3 Device Functional Modes

### 8.3.1 Serial Interface

Configuration of the DAC is by an SPI-compatible serial interface consisting of four signals:  $\overline{CS}$ , SCLK, DIN, and DOUT; or the interface can consist of three signals in which case  $\overline{CS}$  may be tied low. Tying  $\overline{CS}$  low permanently selects the device and DOUT remains a driven output. The interface is used to read and write registers and also is used to send a DAC reset command.

#### 8.3.1.1 Serial Communications

DAC1282 communication occurs by clocking register data into the device (on DIN) and reading back register data (on DOUT). The SCLK input is used to clock data into and out of the device. Data are input on the serial clock (SCLK) rising edge and output on the SCLK falling edge. The communication protocol is half-duplex (that is, data are transmitted to and from the device one direction at a time).

Communications to the device occur on 8-bit boundaries. If an unintentional SCLK transition should occur (such as is possible from a noise spike), the DAC1282 command decoder can be out-of-sync and the serial port may not respond properly. The serial port may reset in one of the following ways:

1. Take  $\overline{CS}$  high to reset the interface
2. Hold SCLK inactive (low state) for  $2^{18} f_{CLK}$  cycles to automatically reset the interface (see the [SPI Timeout](#) section)
3. Take  $\overline{RESET}/\overline{PWDN}$  low then back high to reset the device and the interface
4. Cycle the power supplies for a power-on reset (POR)

#### 8.3.1.2 Chip Select ( $\overline{CS}$ )

$\overline{CS}$  (chip select) selects the DAC1282 for communication. To select the device, pull  $\overline{CS}$  low.  $\overline{CS}$  must remain low for the duration of the command sequence. When  $\overline{CS}$  is taken high, the serial interface is reset, input commands are ignored, and DOUT enters a high-impedance state.

#### 8.3.1.3 Serial Clock (SCLK)

The serial clock (SCLK) is a Schmitt-triggered input used to clock data into and out of the DAC1282. SCLK can be idled high or low. If SCLK is idled low, the SPI timeout feature is active. If SCLK is idled high, the SPI timeout feature is disabled.

Despite the built-in Schmitt-trigger, keep SCLK as clean as possible to prevent glitches from accidentally shifting the data. Series-terminated printed circuit board (PCB) traces often help to reduce ringing and overshoot (series termination resistance is approximately 20  $\Omega$  to 50  $\Omega$ ). If SCLK is held low for  $2^{18} f_{CLK}$  periods, the serial interface is reset. The timeout feature can be used to automatically recover the SPI port in the event of a noise glitch. Avoid starting new commands after this time interval to prevent an unexpected serial port reset at the next command instant.

#### 8.3.1.4 Data Input (DIN)

DIN is the data input pin used to send data to the DAC. The DAC1282 latches DIN input data on the rising edge of SCLK.

#### 8.3.1.5 Data Output (DOUT)

DOUT is the data output pin used to read register data out of the DAC. The data are shifted out on the falling edge of SCLK. DOUT enters a 3-state when  $\overline{CS}$  is high.

### 8.3.2 SPI Timeout

The DAC has an SPI timeout feature that can be used to recover the SPI port if a possible noise pulse should occur. The noise pulse may lead to a false SCLK detection that can render the DAC serial port unresponsive. The port is recovered by taking  $\overline{CS}$  high but, in applications where  $\overline{CS}$  is tied low, holding SCLK low for  $2^{18}$  CLK cycles resets the SPI port automatically. When SCLK is low, the SPI port resets on every  $2^{18}$  CLK cycle interval. Holding SCLK high disables the automatic SPI reset.

## 8.4 Programming

### 8.4.1 Commands

The commands summarized in Table 14 control and configure the DAC1282. The register read and register write commands are two-byte command arguments plus additional data bytes while the reset command is a one-byte command. The DAC1282 serial port chip select ( $\overline{CS}$ ) can be taken high or held low between commands but must remain low for the entire command operation.

Table 14. Command Definitions

COMMAND	TYPE	DESCRIPTION	FIRST OPCODE BYTE	SECOND OPCODE BYTE
RREG	Register	Read nnnn register(s) at address rrrr <sup>(1)</sup>	0010 rrrr	0000 nnnn
WREG	Register	Write nnnn register(s) at address rrrr	0100 rrrr	0000 nnnn
RESET	Control	Reset the device	0000 011x (06 or 07h)	—

(1) rrrr = Starting read or write register address, nnnn= number of registers to read or write minus 1.

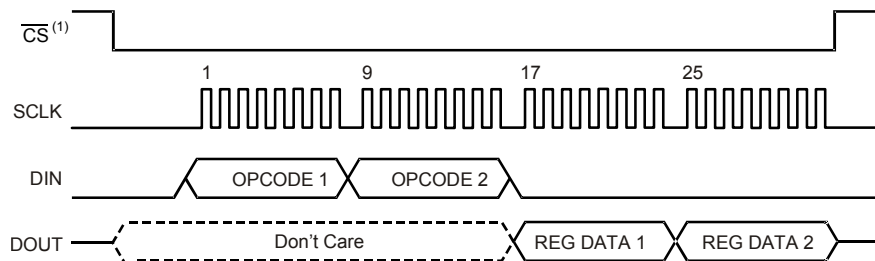
#### 8.4.1.1 RREG: Read From Registers

**Description:** These two opcode bytes read register data. The register read operation is a two-byte opcode input followed by one or more bytes of register data as the output. The first byte of the command is the opcode and the register address combined. The second byte of the command specifies the number of registers to read (minus 1) in a block. Register data are output following the command input. Note that for multiple register read operations, the register address pointer does not wrap when the last register is exceeded.

First opcode byte: 0010 rrrr, where rrrr is the starting address register address to be read.

Second opcode byte: 0000 nnnn, where nnnn is the number of registers to read – 1.

Following bytes: Register data output in MSB-first format. The 16th SCLK falling edge of the opcode clocks out the MSB of the register data.



(1)  $\overline{CS}$  may be tied low.

Figure 48. RREG Command Example: Read Two Registers Starting from Register 00h  
(Opcode 1 = 0010 0000, Opcode 2 = 0000 0001)

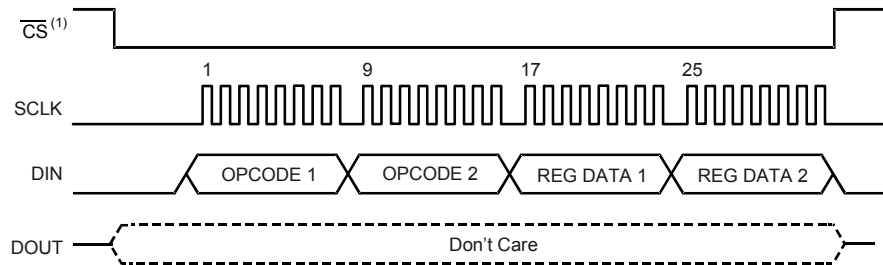
### 8.4.1.2 WREG: Write To Registers

**Description:** These two opcode bytes write register data. The register write operation is a two-byte opcode followed by one or more bytes of register data. The first byte of the command is the write opcode and the register address combined. The second byte of the command specifies the number of registers to write (minus 1) in a single sequence. The following bytes are the register data bytes. Note that for multiple register write operations, the register address pointer does not wrap when the last register is exceeded.

First opcode byte: 0010 *rrrr*, where *rrrr* is the starting address register address to be written.

Second opcode byte: 0000 *nnnn*, where *nnnn* is the number of registers to write – 1.

Following bytes: Register data input in MSB-first format.



(1)  $\overline{CS}$  may be tied low.

**Figure 49. WREG Command Example: Write Two Registers Starting from Register 00h  
(Opcode 1 = 0100 0000, Opcode 2 = 0000 0001)**

### 8.4.1.3 RESET: Device Reset

**Description:** This command resets the DAC. The registers are set to power-on default the value; see the [RESET/PWDN](#) section.



## 8.5 Register Map

DAC1282 operation is controlled through a set of 8-bit registers. Collectively, the registers contain all the information needed to configure the DAC, such as output frequency and amplitude, output pulse levels, etc. Table 15 shows the register map.

The default state of the device at power-up, after the RESET pin is taken high or after a RESET command is as follows:

Sine mode, frequency = 31.25 Hz, –36-dB output range, 0-dB digital attenuation  
 Switch state: open

**Table 15. Register Map**

ADDRESS	REGISTER	DEFAULT	BIT 7	BIT 6	BIT 5	BIT 4	BIT 3	BIT 2	BIT 1	BIT 0
0	GANMOD	xxx11000	ID2	ID1	ID0	GAIN2	GAIN1	GAIN0	MODE1	MODE0
1	SING	00000000	SINEG7	SINEG6	SINEG5	SINEG4	SINEG3	SINEG2	SINEG1	SINEG0
2	SWM	00000000	FREQ	SW2	SW1	SW0	M3	M2	M1	M0
3	N	00000111	N7	N6	N5	N4	N3	N2	N1	N0
4	DCG0	00000000	DCG7	DCG6	DCG5	DCG4	DCG3	DCG2	DCG1	DCG0
5	DCG1	00000000	DCG15	DCG14	DCG13	DCG12	DCG11	DCG10	DCG9	DCG8
6	DCG2	00000000	DCG23	DCG22	DCG21	DCG20	DCG19	DCG18	DCG17	DCG16
7	PULSA	00000000	0	0	0	PULSA4	PULSA3	PULSA2	PULSA1	PULSA0
8	PULSB	00000000	0	0	0	PULSB4	PULSB3	PULSB2	PULSB1	PULSB0

### 8.5.1 Register Descriptions

**Table 16. GANMOD: Range and Mode Register 0 (address = 0h)**

7	6	5	4	3	2	1	0
ID2	ID1	ID0	GAIN2	GAIN1	GAIN0	MODE1	MODE0

<b>Bits[7:5]</b>	<b>ID[2:0]: Factory-programmed identification bits (read-only)</b> These bits may change at any time without notification.																															
<b>Bits[4:2]</b>	<b>GAIN[2:0]: Analog gain (output range)</b> These bits set the analog gain in the sine, dc, and bitstream modes. The output amplitude is the combination of the selected range and the digital gain. Sine mode digital gain is programmed by the SINEG register; dc mode digital gain are the DCG0, DCG1, and DCG2 registers. Pulse mode levels are exclusively controlled by the PULSA and PULSB registers. Note that the DAC1282A supports analog gains of 1/1, 1/4, and 1/16 only. <table border="1"> <thead> <tr> <th>GAIN[2:0]</th> <th>DEVICE GAIN</th> <th>OUTPUT RANGE (V)<sup>(1)</sup></th> </tr> </thead> <tbody> <tr> <td>000</td> <td>0 dB</td> <td>1/1 V/V</td> <td>±2.5</td> </tr> <tr> <td>001 (DAC1282 only)</td> <td>–6 dB</td> <td>1/2 V/V</td> <td>±1.25</td> </tr> <tr> <td>010</td> <td>–12 dB</td> <td>1/4 V/V</td> <td>±0.625</td> </tr> <tr> <td>011 (DAC1282 only)</td> <td>–18 dB</td> <td>1/8 V/V</td> <td>±0.312</td> </tr> <tr> <td>100</td> <td>–24 dB</td> <td>1/16 V/V</td> <td>±0.156</td> </tr> <tr> <td>101 (DAC1282 only)</td> <td>–30 dB</td> <td>1/32 V/V</td> <td>±0.078</td> </tr> <tr> <td>110 (DAC1282 only, default)<sup>(2)</sup></td> <td>–36 dB</td> <td>1/64 V/V</td> <td>±0.039</td> </tr> </tbody> </table>	GAIN[2:0]	DEVICE GAIN	OUTPUT RANGE (V) <sup>(1)</sup>	000	0 dB	1/1 V/V	±2.5	001 (DAC1282 only)	–6 dB	1/2 V/V	±1.25	010	–12 dB	1/4 V/V	±0.625	011 (DAC1282 only)	–18 dB	1/8 V/V	±0.312	100	–24 dB	1/16 V/V	±0.156	101 (DAC1282 only)	–30 dB	1/32 V/V	±0.078	110 (DAC1282 only, default) <sup>(2)</sup>	–36 dB	1/64 V/V	±0.039
GAIN[2:0]	DEVICE GAIN	OUTPUT RANGE (V) <sup>(1)</sup>																														
000	0 dB	1/1 V/V	±2.5																													
001 (DAC1282 only)	–6 dB	1/2 V/V	±1.25																													
010	–12 dB	1/4 V/V	±0.625																													
011 (DAC1282 only)	–18 dB	1/8 V/V	±0.312																													
100	–24 dB	1/16 V/V	±0.156																													
101 (DAC1282 only)	–30 dB	1/32 V/V	±0.078																													
110 (DAC1282 only, default) <sup>(2)</sup>	–36 dB	1/64 V/V	±0.039																													
<b>Bits[1:0]</b>	<b>MODE[1:0]: Mode control bits</b> The mode bits set the mode of operation. When the mode bits are changed, the internal signal generator block is reset. 00 = Sine mode (default) 01 = DC mode 10 = Digital data mode 11 = Pulse mode																															

(1) (Peak-to-peak) full-scale output range,  $V_{REF} = 5$  V. Digital gain = 0 dB.

(2) Although both devices default to GAIN[2:0] = 110, the DAC1282A setting must be changed to one of the supported analog gains listed.

**Table 17. SINEG: Sine Mode Digital Gain Register (address = 01h)**

7	6	5	4	3	2	1	0
SINEG7	SINEG6	SINEG5	SINEG4	SINEG3	SINEG2	SINEG1	SINEG0

<b>Bits[7:0]</b>	<b>SINEG[7:0]: Sine mode digital gain</b> This register byte sets the sine mode digital gain from 0 dB to –119.5 dB and to full mute, in 0.5-dB steps. The sine mode digital gain can be expressed as: $-DGAIN[7:0]/2$ (dB) and are listed in <a href="#">Table 18</a> .
------------------	---

**Table 18. Sine Mode Digital Gain**

SINEG[7:0] REGISTER	SINE MODE DIGITAL GAIN (dB)
0000 0000 (default)	0.0
0000 0001	–0.5
0000 0010	–1.0
...	...
1110 1111	–119.5
1111 0000	Full mute
...	Full mute
1111 1111	Full mute

**Table 19. SWM: Switch, Output Frequency 'M', And Range Bit Register (address = 02h)**

7	6	5	4	3	2	1	0
FREQ	SW2	SW1	SW0	M3	M2	M1	M0

<b>Bit 7</b>	<b>FREQ: Frequency</b> This bit sets the sine mode output frequency range; see <a href="#">Equation 1</a> .																											
<b>Bits[6:4]</b>	<b>SW[2:0]: Switch control bits</b> These bits control the switch settings when the SW/TD input is high. When SW/TD is low, the register is ignored and the switch is forced open. In digital input mode, the switch is controlled only by the register.																											
	<table border="1"> <thead> <tr> <th>SW[2:0]</th> <th>SWITCH DESCRIPTION</th> <th>TERMINAL CONNECTIONS</th> </tr> </thead> <tbody> <tr> <td>000</td> <td>Open (default)</td> <td>All switches open</td> </tr> <tr> <td>001</td> <td>Differential</td> <td>SWINP to SWOUTP and SWINN to SWOUTN</td> </tr> <tr> <td>010</td> <td>Differential reverse</td> <td>SWINP to SWOUTN and SWINN to SWOUTP</td> </tr> <tr> <td>011</td> <td>Common-mode positive</td> <td>SWINP to SWOUTP and SWINP to SWOUTN</td> </tr> <tr> <td>100</td> <td>Common-mode negative</td> <td>SWINN to SWOUTP and SWINN to SWOUTN</td> </tr> <tr> <td>101</td> <td>Single-ended positive</td> <td>SWINP to SWOUTP only</td> </tr> <tr> <td>110</td> <td>Single-ended negative</td> <td>SWINN to SWOUTN only</td> </tr> <tr> <td>111</td> <td>Short</td> <td>SWOUTP to SWOUTN</td> </tr> </tbody> </table>	SW[2:0]	SWITCH DESCRIPTION	TERMINAL CONNECTIONS	000	Open (default)	All switches open	001	Differential	SWINP to SWOUTP and SWINN to SWOUTN	010	Differential reverse	SWINP to SWOUTN and SWINN to SWOUTP	011	Common-mode positive	SWINP to SWOUTP and SWINP to SWOUTN	100	Common-mode negative	SWINN to SWOUTP and SWINN to SWOUTN	101	Single-ended positive	SWINP to SWOUTP only	110	Single-ended negative	SWINN to SWOUTN only	111	Short	SWOUTP to SWOUTN
SW[2:0]	SWITCH DESCRIPTION	TERMINAL CONNECTIONS																										
000	Open (default)	All switches open																										
001	Differential	SWINP to SWOUTP and SWINN to SWOUTN																										
010	Differential reverse	SWINP to SWOUTN and SWINN to SWOUTP																										
011	Common-mode positive	SWINP to SWOUTP and SWINP to SWOUTN																										
100	Common-mode negative	SWINN to SWOUTP and SWINN to SWOUTN																										
101	Single-ended positive	SWINP to SWOUTP only																										
110	Single-ended negative	SWINN to SWOUTN only																										
111	Short	SWOUTP to SWOUTN																										
<b>Bits[3:0]</b>	<b>M[3:0]: Sine mode frequency, M bits</b> These bits control the sine-mode output frequency. The output frequency is given in <a href="#">Equation 1</a> .																											

**Table 20. N: Sine Frequency N Register (address = 03h)**

7	6	5	4	3	2	1	0
N7	N6	N5	N4	N3	N2	N1	N0

**Bits[7:0]** **N[7:0]: N register**  
 These bits control the output frequency; see [Equation 1](#).

**Table 21. DCG0: DC Mode Digital Gain Byte 0, Least Significant Byte (address = 04h)**

7	6	5	4	3	2	1	0
DCG7	DCG6	DCG5	DCG4	DCG3	DCG2	DCG1	DCG0

**Table 22. DCG1: DC Mode Digital Gain Byte 1, Mid Byte (address = 05h)**

7	6	5	4	3	2	1	0
DCG15	DCG14	DCG13	DCG12	DCG11	DCG10	DCG9	DCG8

**Table 23. DCG2: DC Mode Digital Gain Byte 2, Most Significant Byte (address = 06h)**

7	6	5	4	3	2	1	0
DCG23	DCG22	DCG21	DCG20	DCG19	DCG18	DCG17	DCG16

**Bits[7:0]** **DCG[23:0]: DC mode digital gain setting**  
 The DCG0, DCG1, and DCG2 register bytes set the digital gain in dc mode; see [Table 5](#).

**Table 24. PULSA: Pulse Level A Byte (address = 07h)**

7	6	5	4	3	2	1	0
0	0	0	PULSA4	PULSA3	PULSA2	PULSA1	PULSA0

**Bits[7:5]** **Reserved**  
 Always write '0'.

**Bits[4:0]** **PULSA[4:0]: Pulse level A bits**  
 These bits create pulse level A. (Selected output when SYNC is low.)  
 The PULSA and PULSB registers set two independent levels that can be used to provide pulse output. The SYNC pin selects either level PULSA or level PULSB as the DAC output. The pulse amplitude resolution is programmable in discrete steps, as shown in [Table 6](#). Note that the pulse level value is independent of the RANGE[2:0] setting.

**Table 25. PULSB: Pulse Level B Byte (address = 08h)**

7	6	5	4	3	2	1	0
0	0	0	PULSB4	PULSB3	PULSB2	PULSB1	PULSB0

**Bits[7:5]** **Reserved**  
 Always write '0'.

**Bits[4:0]** **PULSB[4:0]: Pulse level B bits**  
 These bits create pulse level B.  
 The PULSA and PULSB registers set two independent levels that can be used to provide pulse output. The SYNC pin selects either level PULSA or level PULSB as the DAC output. The pulse amplitude resolution is programmable in discrete steps; see [Table 6](#). Note that the pulse level value is independent of the RANGE[2:0] setting.

## 9 Application and Implementation

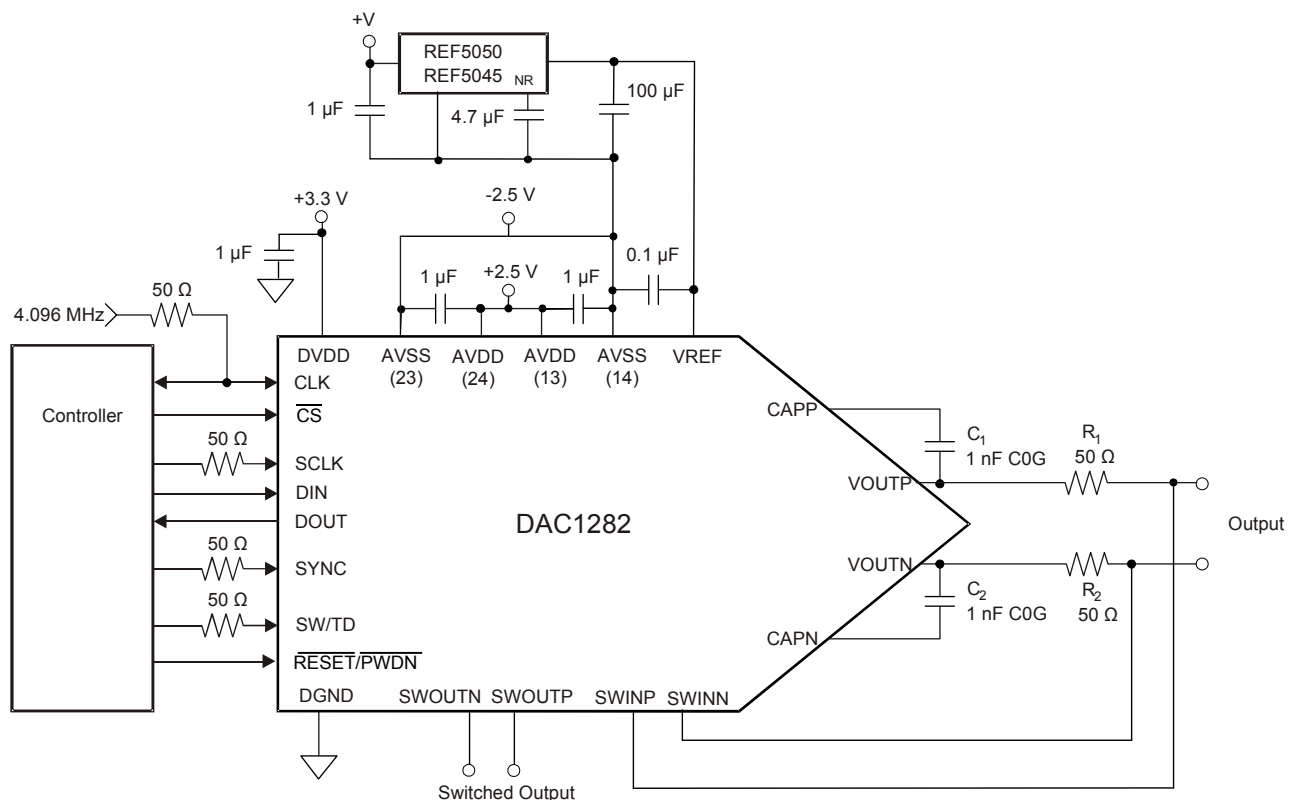
### NOTE

Information in the following applications sections is not part of the TI component specification, and TI does not warrant its accuracy or completeness. TI's customers are responsible for determining suitability of components for their purposes. Customers should validate and test their design implementation to confirm system functionality.

### 9.1 Application Information

Figure 50 shows the basic DAC1282 connection. Bipolar analog supplies are shown ( $\pm 2.5$  V). Single-supply operation is also possible with  $AVDD = 5$  V and  $AVSS = GND$ . The digital supply range is 1.65 V to 3.6 V.

A low-noise, low-drift reference is recommended for best performance, such as the REF5050 (+5 V) and REF5045 (+4.5 V). Best signal-to-noise ratio is achieved with a 5-V reference, although a 4.5-V reference (REF5045) can be used with 1-dB loss in SNR. The 4.5-V reference can be operated from a 5-V supply.  $AVSS$  (pin 14) is the key reference ground point and should be connected to the reference ground terminal using a star connection.  $C_1$  and  $C_2$  are the required 1-nF output filter capacitors. The capacitors should be of the low-voltage-coefficient type (such as a COG ceramic or similar) and placed close to the device pins. Output resistors,  $R_1$  and  $R_2$ , decouple the DAC to ensure best performance when driving capacitive loads. The output is shown routed to the signal switch, providing a second, switched DAC output.



**Figure 50. Basic Connection**

## 9.2 Typical Applications

### 9.2.1 Single-Channel Seismic System

Figure 51 illustrates a single-channel data acquisition concept for seismic. The DAC1282 is used to test both the ADC and geophone. The DAC1282 connects directly to channel 1 of the ADC. Tests of the ADC include THD, pulse, input noise, common-mode, etc. The DAC output and ADC sample timing are controlled by the SYNC input pins.

The geophone connects to channel 2 of the ADC through input protection and optional filter networks. The DAC connects to the geophone using the integrated signal switch. Series resistors isolate the geophone from the DAC output. Geophone test capabilities include impulse, THD, leakage, and common-mode.

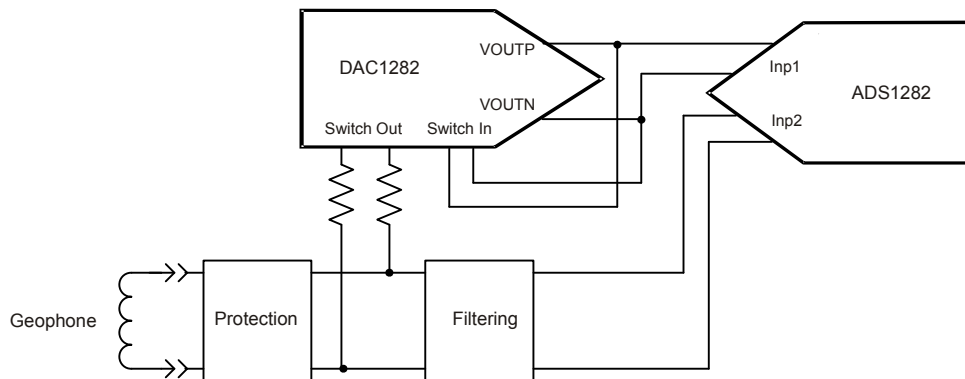
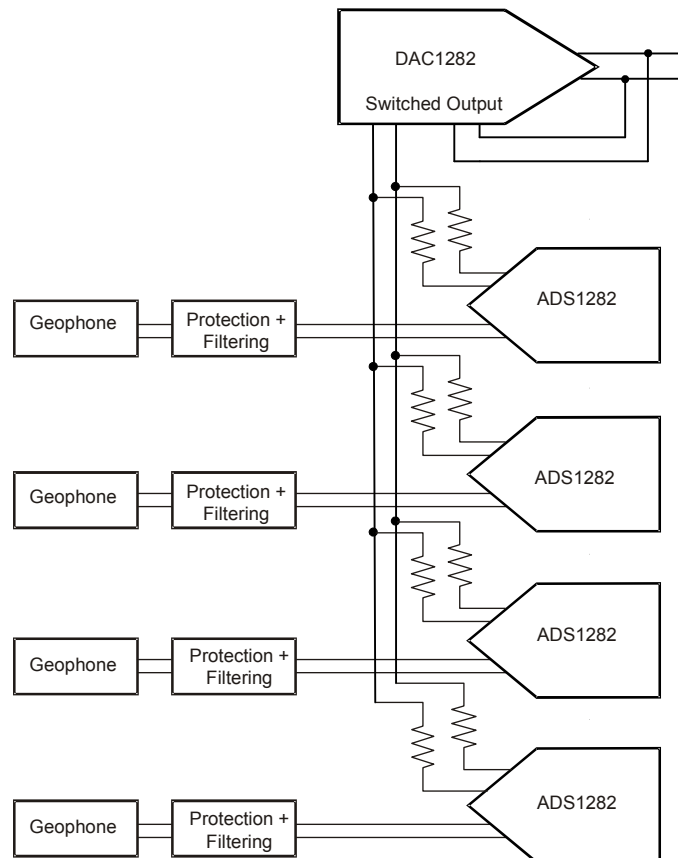


Figure 51. Single-Channel Seismic System

## Typical Applications (continued)

### 9.2.2 Four-Channel Seismic System

Figure 52 illustrates a four-channel system. The switched DAC1282 output is routed to the ADC inputs. The signal from the DAC switch is used to perform sensor impulse testing by opening the switch while digitizing the response.



**Figure 52. Four-Channel Seismic System**

## 10 Device and Documentation Support

### 10.1 Community Resources

The following links connect to TI community resources. Linked contents are provided *AS IS* by the respective contributors. They do not constitute TI specifications and do not necessarily reflect TI's views; see TI's [Terms of Use](#).

**TI E2E™ Online Community** *TI's Engineer-to-Engineer (E2E) Community*. Created to foster collaboration among engineers. At [e2e.ti.com](http://e2e.ti.com), you can ask questions, share knowledge, explore ideas and help solve problems with fellow engineers.

**Design Support** *TI's Design Support* Quickly find helpful E2E forums along with design support tools and contact information for technical support.

### 10.2 Trademarks

E2E is a trademark of Texas Instruments.

SPI is a trademark of Motorola.

All other trademarks are the property of their respective owners.

### 10.3 Electrostatic Discharge Caution



This integrated circuit can be damaged by ESD. Texas Instruments recommends that all integrated circuits be handled with appropriate precautions. Failure to observe proper handling and installation procedures can cause damage.

ESD damage can range from subtle performance degradation to complete device failure. Precision integrated circuits may be more susceptible to damage because very small parametric changes could cause the device not to meet its published specifications.

### 10.4 Glossary

[SLYZ022](#) — *TI Glossary*.

This glossary lists and explains terms, acronyms, and definitions.

## 11 Mechanical, Packaging, and Orderable Information

The following pages include mechanical, packaging, and orderable information. This information is the most current data available for the designated devices. This data is subject to change without notice and revision of this document. For browser-based versions of this data sheet, refer to the left-hand navigation.

**PACKAGING INFORMATION**

Orderable part number	Status (1)	Material type (2)	Package   Pins	Package qty   Carrier	RoHS (3)	Lead finish/ Ball material (4)	MSL rating/ Peak reflow (5)	Op temp (°C)	Part marking (6)
<a href="#">DAC1282AIPW</a>	Active	Production	TSSOP (PW)   24	60   TUBE	Yes	NIPDAU	Level-2-260C-1 YEAR	-40 to 85	DAC1282A
DAC1282AIPW.A	Active	Production	TSSOP (PW)   24	60   TUBE	Yes	NIPDAU	Level-2-260C-1 YEAR	-40 to 85	DAC1282A
<a href="#">DAC1282AIPWR</a>	Active	Production	TSSOP (PW)   24	2000   LARGE T&R	Yes	NIPDAU	Level-2-260C-1 YEAR	-40 to 85	DAC1282A
DAC1282AIPWR.A	Active	Production	TSSOP (PW)   24	2000   LARGE T&R	Yes	NIPDAU	Level-2-260C-1 YEAR	-40 to 85	DAC1282A
<a href="#">DAC1282IPW</a>	Active	Production	TSSOP (PW)   24	60   TUBE	Yes	NIPDAU	Level-2-260C-1 YEAR	-40 to 85	DAC1282
DAC1282IPW.A	Active	Production	TSSOP (PW)   24	60   TUBE	Yes	NIPDAU	Level-2-260C-1 YEAR	-40 to 85	DAC1282
<a href="#">DAC1282IPWR</a>	Active	Production	TSSOP (PW)   24	2000   LARGE T&R	Yes	NIPDAU	Level-2-260C-1 YEAR	-40 to 85	DAC1282
DAC1282IPWR.A	Active	Production	TSSOP (PW)   24	2000   LARGE T&R	Yes	NIPDAU	Level-2-260C-1 YEAR	-40 to 85	DAC1282

(1) **Status:** For more details on status, see our [product life cycle](#).

(2) **Material type:** When designated, preproduction parts are prototypes/experimental devices, and are not yet approved or released for full production. Testing and final process, including without limitation quality assurance, reliability performance testing, and/or process qualification, may not yet be complete, and this item is subject to further changes or possible discontinuation. If available for ordering, purchases will be subject to an additional waiver at checkout, and are intended for early internal evaluation purposes only. These items are sold without warranties of any kind.

(3) **RoHS values:** Yes, No, RoHS Exempt. See the [TI RoHS Statement](#) for additional information and value definition.

(4) **Lead finish/Ball material:** Parts may have multiple material finish options. Finish options are separated by a vertical ruled line. Lead finish/Ball material values may wrap to two lines if the finish value exceeds the maximum column width.

(5) **MSL rating/Peak reflow:** The moisture sensitivity level ratings and peak solder (reflow) temperatures. In the event that a part has multiple moisture sensitivity ratings, only the lowest level per JEDEC standards is shown. Refer to the shipping label for the actual reflow temperature that will be used to mount the part to the printed circuit board.

(6) **Part marking:** There may be an additional marking, which relates to the logo, the lot trace code information, or the environmental category of the part.

Multiple part markings will be inside parentheses. Only one part marking contained in parentheses and separated by a "-" will appear on a part. If a line is indented then it is a continuation of the previous line and the two combined represent the entire part marking for that device.

**Important Information and Disclaimer:** The information provided on this page represents TI's knowledge and belief as of the date that it is provided. TI bases its knowledge and belief on information provided by third parties, and makes no representation or warranty as to the accuracy of such information. Efforts are underway to better integrate information from third parties. TI has taken and continues to take reasonable steps to provide representative and accurate information but may not have conducted destructive testing or chemical analysis on incoming materials and chemicals. TI and TI suppliers consider certain information to be proprietary, and thus CAS numbers and other limited information may not be available for release.



In no event shall TI's liability arising out of such information exceed the total purchase price of the TI part(s) at issue in this document sold by TI to Customer on an annual basis.

**TAPE AND REEL INFORMATION**

**QUADRANT ASSIGNMENTS FOR PIN 1 ORIENTATION IN TAPE**


\*All dimensions are nominal

Device	Package Type	Package Drawing	Pins	SPQ	Reel Diameter (mm)	Reel Width W1 (mm)	A0 (mm)	B0 (mm)	K0 (mm)	P1 (mm)	W (mm)	Pin1 Quadrant
DAC1282AIPWR	TSSOP	PW	24	2000	330.0	16.4	6.95	8.3	1.6	8.0	16.0	Q1
DAC1282IPWR	TSSOP	PW	24	2000	330.0	16.4	6.95	8.3	1.6	8.0	16.0	Q1

**TAPE AND REEL BOX DIMENSIONS**


\*All dimensions are nominal

Device	Package Type	Package Drawing	Pins	SPQ	Length (mm)	Width (mm)	Height (mm)
DAC1282AIPWR	TSSOP	PW	24	2000	350.0	350.0	43.0
DAC1282IPWR	TSSOP	PW	24	2000	350.0	350.0	43.0

**TUBE**


\*All dimensions are nominal

Device	Package Name	Package Type	Pins	SPQ	L (mm)	W (mm)	T (μm)	B (mm)
DAC1282AIPW	PW	TSSOP	24	60	530	10.2	3600	3.5
DAC1282AIPW.A	PW	TSSOP	24	60	530	10.2	3600	3.5
DAC1282IPW	PW	TSSOP	24	60	530	10.2	3600	3.5
DAC1282IPW.A	PW	TSSOP	24	60	530	10.2	3600	3.5

PW0024A



# PACKAGE OUTLINE

## TSSOP - 1.2 mm max height

SMALL OUTLINE PACKAGE



4220208/A 02/2017

### NOTES:

1. All linear dimensions are in millimeters. Any dimensions in parenthesis are for reference only. Dimensioning and tolerancing per ASME Y14.5M.
2. This drawing is subject to change without notice.
3. This dimension does not include mold flash, protrusions, or gate burrs. Mold flash, protrusions, or gate burrs shall not exceed 0.15 mm per side.
4. This dimension does not include interlead flash. Interlead flash shall not exceed 0.25 mm per side.
5. Reference JEDEC registration MO-153.

# EXAMPLE BOARD LAYOUT

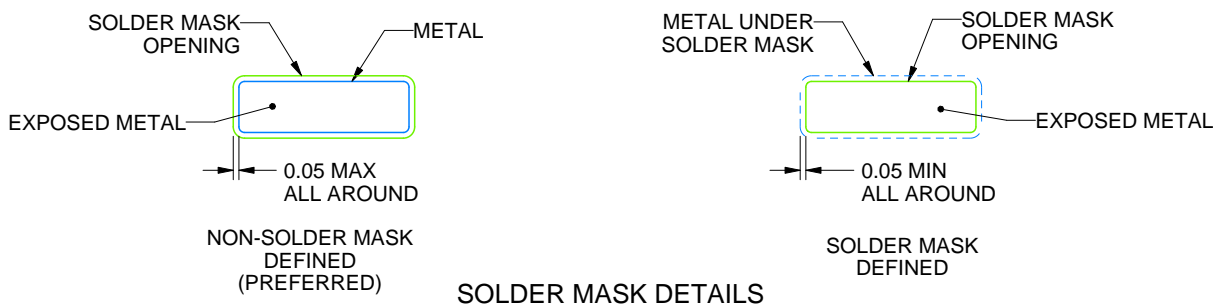
PW0024A

TSSOP - 1.2 mm max height

SMALL OUTLINE PACKAGE



LAND PATTERN EXAMPLE  
EXPOSED METAL SHOWN  
SCALE: 10X



SOLDER MASK DETAILS

4220208/A 02/2017

NOTES: (continued)

- 6. Publication IPC-7351 may have alternate designs.
- 7. Solder mask tolerances between and around signal pads can vary based on board fabrication site.

# EXAMPLE STENCIL DESIGN

PW0024A

TSSOP - 1.2 mm max height

SMALL OUTLINE PACKAGE



NOTES: (continued)

8. Laser cutting apertures with trapezoidal walls and rounded corners may offer better paste release. IPC-7525 may have alternate design recommendations.
9. Board assembly site may have different recommendations for stencil design.

## IMPORTANT NOTICE AND DISCLAIMER

TI PROVIDES TECHNICAL AND RELIABILITY DATA (INCLUDING DATASHEETS), DESIGN RESOURCES (INCLUDING REFERENCE DESIGNS), APPLICATION OR OTHER DESIGN ADVICE, WEB TOOLS, SAFETY INFORMATION, AND OTHER RESOURCES "AS IS" AND WITH ALL FAULTS, AND DISCLAIMS ALL WARRANTIES, EXPRESS AND IMPLIED, INCLUDING WITHOUT LIMITATION ANY IMPLIED WARRANTIES OF MERCHANTABILITY, FITNESS FOR A PARTICULAR PURPOSE OR NON-INFRINGEMENT OF THIRD PARTY INTELLECTUAL PROPERTY RIGHTS.

These resources are intended for skilled developers designing with TI products. You are solely responsible for (1) selecting the appropriate TI products for your application, (2) designing, validating and testing your application, and (3) ensuring your application meets applicable standards, and any other safety, security, regulatory or other requirements.

These resources are subject to change without notice. TI grants you permission to use these resources only for development of an application that uses the TI products described in the resource. Other reproduction and display of these resources is prohibited. No license is granted to any other TI intellectual property right or to any third party intellectual property right. TI disclaims responsibility for, and you fully indemnify TI and its representatives against any claims, damages, costs, losses, and liabilities arising out of your use of these resources.

TI's products are provided subject to [TI's Terms of Sale](#), [TI's General Quality Guidelines](#), or other applicable terms available either on [ti.com](http://ti.com) or provided in conjunction with such TI products. TI's provision of these resources does not expand or otherwise alter TI's applicable warranties or warranty disclaimers for TI products. Unless TI explicitly designates a product as custom or customer-specified, TI products are standard, catalog, general purpose devices.

TI objects to and rejects any additional or different terms you may propose.

Copyright © 2025, Texas Instruments Incorporated

Last updated 10/2025