

BQ2969 Overvoltage Protection for 2-Series, 3-Series, and 4-Series Cell Li-Ion Batteries with Regulated Output Supply

1 Features

- 2-series, 3-series, and 4-series cell overvoltage protection (OVP)
- Factory programmed OVP threshold (3.6V to 5.2V) with $\pm 12\text{mV}$ accuracy
- Fixed delay timer to trigger FET drive output (0.25s to 6.5s options)
- Output pin options:
 - Active high
 - Open-drain - active pulldown
 - Open-drain - inactive pulldown
- Integrated 3mA regulated output programmable to 3.8V, 3.3V, 3.15V, 3.0V, 2.5V, 1.8V, or 1.5V
- Factory programmed undervoltage (UV) detection threshold (1V to 4.15V) to disable regulator
 - OVP remains operational even in undervoltage condition
- Multiple power modes:
 - NORMAL mode - no OV or UV: $I_{CC} \cong 1.23\mu\text{A}$
 - Undervoltage mode - UV detected: $I_{CC} \cong 0.25\mu\text{A}$
 - Overvoltage mode - OV detected: $I_{CC} \cong 19\mu\text{A}$
- Low leakage current per cell input $< 100\text{nA}$
- Small package footprint
 - 8-Pin WSON (2mm \times 2mm)

2 Applications

- [Notebook PC](#)
- [Ultrabooks](#)
- [Portable medical electronics](#)
- [UPS battery backup systems](#)

3 Description

The BQ2969 family is a high-accuracy, low-power overvoltage protector with a 3mA regulated output supply for Li-ion and LiFePO₄ (LFP) battery pack applications.

Each cell in a 2-series to 4-series cell stack is individually monitored for an overvoltage condition. An internally fixed-delay timer is initiated upon detection of an overvoltage condition on any cell. Upon expiration of the delay timer, the output pin is triggered into an active state to indicate that an overvoltage condition has occurred.

The regulated output supply delivers up to 3mA output current to drive always-on circuits, such as a real-time clock (RTC) oscillator. The BQ2969 family has a self-disable function to turn off the regulated output if any cell voltage falls below a programmable undervoltage threshold, thereby preventing drain on the battery.

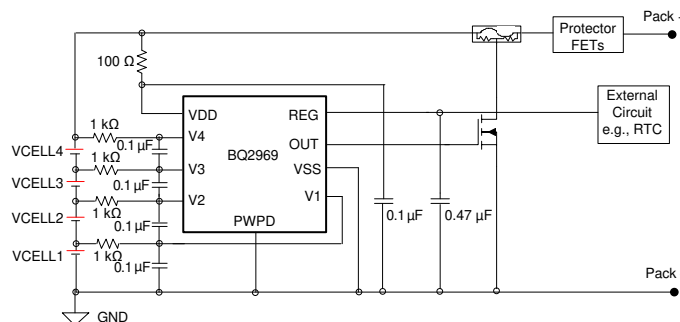
The BQ2969 family provides exceptionally low power operation, drawing only 1.23 μA during normal operation (excluding regulator load current), and dropping to 0.25 μA when in an undervoltage condition. Even when in the undervoltage state, the device can still detect an overvoltage condition on any other cell (which can occur in an imbalanced pack) and can assert the output pin.

Package Information

PART NUMBER ⁽¹⁾	PACKAGE	PACKAGE SIZE ⁽²⁾
BQ2969xx	DSG (WSON, 8)	2.00mm \times 2.00mm

(1) For more information, see [Section 11](#).

(2) The package size (length \times width) is a nominal value and includes pins, where applicable.



Simplified Schematic



Table of Contents

1 Features	1	8 Application and Implementation	13
2 Applications	1	8.1 Application Information.....	13
3 Description	1	8.2 Typical Application.....	13
4 Device Comparison Table	3	8.3 Power Supply Recommendations.....	16
5 Pin Configuration and Functions	3	8.4 Layout.....	16
6 Specifications	4	9 Device and Documentation Support	18
6.1 Absolute Maximum Ratings.....	4	9.1 Device Support.....	18
6.2 ESD Ratings.....	4	9.2 Receiving Notification of Documentation Updates... 18	
6.3 Recommended Operating Conditions.....	4	9.3 Support Resources.....	18
6.4 Thermal Information.....	4	9.4 Trademarks.....	18
6.5 Electrical Characteristics.....	5	9.5 Electrostatic Discharge Caution.....	18
6.6 Typical Characteristics.....	7	9.6 Glossary.....	18
7 Detailed Description	8	10 Revision History	18
7.1 Overview.....	8	11 Mechanical, Packaging, and Orderable	
7.2 Functional Block Diagram.....	9	Information	19
7.3 Feature Description.....	9	11.1 Tape and Reel Information.....	19
7.4 Device Functional Modes.....	11		

4 Device Comparison Table

Table 4-1. BQ2969 Device Options

BQ2969 Device	OVP (V)	OVP DELAY (s)	OVP HYSTERESIS (mV)	UV (V)	LDO (V)	OUT PIN MODE	LATCH OUT
BQ296900	4.65	6.5	300	2.5	3.3	active high	No
BQ296901	4.65	6.5	300	2.5	3	active high	No
BQ296902	4.65	6.5	300	3	3	active high	No
BQ296907	4.65	6.5	300	2.5	1.5	active high	No
BQ296909	4.65	6.5	300	2.7	3.3	active high	No
BQ296910	4.35	6.5	300	1.8	3.0	active high	No
BQ2969xx ⁽¹⁾	3.6 – 5.2	0.25, 0.5, 1, 2, 3, 4, 5.5, 6.5	150, 300	1 – 4.15	1.5, 1.8, 2.5, 3.0, 3.15, 3.3, 3.8	active high, open-drain active pulldown, open-drain inactive pulldown	Yes, No

(1) Product Preview (not Production Data). Contact TI for more information.

5 Pin Configuration and Functions

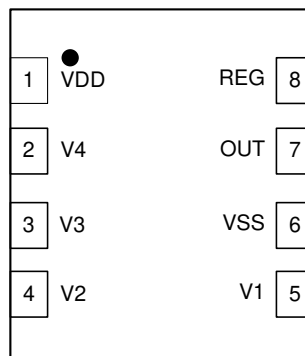


Figure 5-1. 2-Series to 4-Series BQ2969 DSG Package, 8-Pin WSON (Top View)

Table 5-1. Pin Functions

NAME	PIN		TYPE ⁽¹⁾	DESCRIPTION
		BQ2962		
VDD		1	P	Power supply input
V4		2	IA	Sense input for positive voltage of the fourth cell from the bottom of the stack
V3		3	IA	Sense input for positive voltage of the third cell from the bottom of the stack
V2		4	IA	Sense input for positive voltage of the second cell from the bottom of the stack
V1		5	IA	Sense input for positive voltage of the lowest cell from the bottom of the stack
VSS		6	P	Electrically connected to integrated circuit ground and negative terminal of the lowest cell in the stack
OUT		7	OA	Analog output drive for an overvoltage fault signal; CMOS output high or open-drain active pulldown or open-drain inactive pulldown
REG		8	OA	Regulated supply output. Requires an external ceramic capacitor for stability
PWPD		-	P	TI recommends connecting the exposed pad to VSS on PCB.

(1) IA = Analog input, OA = Analog Output, P = Power connection

6 Specifications

6.1 Absolute Maximum Ratings

Over operating free-air temperature range of -40°C to 110°C (unless otherwise noted)⁽¹⁾

PARAMETER		MIN	MAX	UNIT
Supply voltage range	VDD – VSS	-0.3	30	V
	VDD – V4	-0.3	30	V
Input voltage range	V1 – VSS, V2 – VSS, V3 – VSS, V4 – VSS	-0.3	30	V
Output voltage range	REG – VSS	-0.3	5.0	V
Output voltage range	OUT – VSS	-0.3	30	V
Storage temperature, T_{stg}		-65	150	$^{\circ}\text{C}$

- (1) Stresses beyond those listed under *Absolute Maximum Ratings* may cause permanent damage to the device. These are stress ratings only, which do not imply functional operation of the device at these or any other conditions beyond those indicated under *Recommended Operating Conditions*. Exposure to absolute-maximum-rated conditions for extended periods may affect device reliability.

6.2 ESD Ratings

PARAMETER			VALUE	UNIT
$V_{\text{(ESD)}}$	Electrostatic discharge	Human body model (HBM), per ANSI/ESDA/JEDEC JS-001, all pins ⁽¹⁾	2000	V
$V_{\text{(ESD)}}$	Electrostatic discharge	Charged device model (CDM), per JEDEC specification JESD22-C101, all pins ⁽²⁾	500	V

- (1) JEDEC document JEP155 states that 500V HBM allows safe manufacturing with a standard ESD control process.
 (2) JEDEC document JEP157 states that 250V CDM allows safe manufacturing with a standard ESD control process.

6.3 Recommended Operating Conditions

Typical values stated where $T_A = 25^{\circ}\text{C}$ and $V_{\text{DD}} = 15.2\text{V}$, MIN/MAX values stated where $T_A = -40^{\circ}\text{C}$ to 110°C , and $V_{\text{DD}} = 3\text{V}$ to 22V (unless otherwise noted).

PARAMETER		MIN	TYP	MAX	UNIT
Supply voltage, V_{DD}	Supply voltage, V_{DD} (REG $\leq 2.5\text{V}$)	3		22	V
	Supply voltage, V_{DD} (REG $\leq 3.3\text{V}$)	4		22	V
	Supply voltage, V_{DD} (REG $\geq 3.8\text{V}$)	7.5		22	V
	Normal operation, $V_{\text{DD}} - V4$ ⁽¹⁾	-0.2		0.2	V
	Customer test mode, $V_{\text{DD}} - V4$		10		V
Input voltage range	V4 – V3, V3 – V2, V2 – V1, V1 – VSS	0		5.5	V
Operating ambient temperature range, T_A	Operating ambient temperature range, T_A	-40		110	$^{\circ}\text{C}$

- (1) Specified by design

6.4 Thermal Information

THERMAL INFORMATION ⁽¹⁾		BQ2969	UNIT
		SON	UNIT
		(8 PINS)	UNIT
$R_{\theta\text{JA}}$	Junction-to-ambient thermal resistance	80.0	$^{\circ}\text{C}/\text{W}$
$R_{\theta\text{JC(top)}}$	Junction-to-case(top) thermal resistance	102.5	$^{\circ}\text{C}/\text{W}$
$R_{\theta\text{JB}}$	Junction-to-board thermal resistance	46.5	$^{\circ}\text{C}/\text{W}$
Ψ_{JT}	Junction-to-top characterization parameter	6.1	$^{\circ}\text{C}/\text{W}$
Ψ_{JB}	Junction-to-board characterization parameter	46.5	$^{\circ}\text{C}/\text{W}$
$R_{\theta\text{JC(bottom)}}$	Junction-to-case(bottom) thermal resistance	22.7	$^{\circ}\text{C}/\text{W}$

- (1) For more information about traditional and new thermal metrics, see the [IC Package Thermal Metrics](#) application note.

6.5 Electrical Characteristics

Typical values stated where $T_A = 25^\circ\text{C}$ and $V_{DD} = 15.2\text{V}$, MIN/MAX values stated where $T_A = -40^\circ\text{C}$ to 110°C , and $V_{DD} = 3\text{V}$ to 22V (unless otherwise noted).

PARAMETER	PARAMETER	TEST CONDITIONS	MIN	TYP	MAX	UNIT
Voltage Protection Thresholds						
V_{OV}	$V_{(PROTECT)}$ Overvoltage Detection	$R_{IN} = 1\text{k}\Omega$	Applicable Voltage: 3.6V to 5.2V			V
V_{OVHYST}	OV Detection Hysteresis	Nominal setting of 150mV	100	150	200	mV
		Nominal setting of 300mV	250	300	350	mV
V_{OA}	OV Detection Accuracy	$T_A = 25^\circ\text{C}$	-12		12	mV
$V_{OADRIFT}$	OV Detection Accuracy Across Temperature ⁽¹⁾	$T_A = -40^\circ\text{C}$	-40		40	mV
		$T_A = -10^\circ\text{C}$	-22		22	mV
		$T_A = 55^\circ\text{C}$	-24		24	mV
		$T_A = 85^\circ\text{C}$	-37		37	mV
		$T_A = 110^\circ\text{C}$	-50		50	mV
Supply and Leakage Current						
I_{DD}	Supply Current in NORMAL mode	$(V_n - V_{n-1}) = (V_1 - V_{SS}) = 3.8\text{V}$, $n = 2, 3, 4$, $V_{DD} = 15.2\text{V}$, $I_{REG} = 0\text{mA}$, $T_A = -10^\circ\text{C}$ to 60°C		1.23	2	μA
		$(V_n - V_{n-1}) = (V_1 - V_{SS}) = 3.8\text{V}$, $n = 2, 3, 4$, $V_{DD} = 15.2\text{V}$, $I_{REG} = 0\text{mA}$, $T_A = -40^\circ\text{C}$ to 110°C			2.5	μA
	Supply Current in UV	$(V_n - V_{n-1}) = 3.8\text{V}$, $n = 2, 3, 4$, and $V_{UVQUAL} < (V_1 - V_{SS}) < V_{UVREG}$, $V_{DD} = 11.4\text{V}$, $T_A = -10^\circ\text{C}$ to 60°C		0.25	0.5	μA
		$(V_n - V_{n-1}) = 3.8\text{V}$, $n = 2, 3, 4$, and $V_{UVQUAL} < (V_1 - V_{SS}) < V_{UVREG}$, $V_{DD} = 11.4\text{V}$, $T_A = -40^\circ\text{C}$ to 110°C			0.7	μA
	Supply Current in OV	$(V_n - V_{n-1}) = 3.8\text{V}$, $n = 2, 3, 4$, and $V_{OV} < (V_1 - V_{SS})$, $V_{DD} = 15.2\text{V}$, $T_A = -40^\circ\text{C}$ to 110°C		19	30	μA
I_{IN}	Input Current at V_n Pins	$(V_n - V_{n-1}) = (V_1 - V_{SS}) = 3.8\text{V}$, $n = 2, 3, 4$, $V_{DD} = 15.2\text{V}$, $T_A = 25^\circ\text{C}$	-0.1		0.1	μA
Input Voltage						
OUT Pin Driver						
V_{OUT}	Output Drive Voltage	OUT pin configured in active high mode, $(V_n - V_{n-1})$ or $(V_1 - V_{SS}) > V_{OV}$, $n = 2, 3, 4$, $I_{OH} = 100\mu\text{A}$, $V_{DD} \geq 7.5\text{V}$	5.5		8	V
		OUT pin configured in active high mode, $(V_n - V_{n-1})$ or $(V_1 - V_{SS}) > V_{OV}$, $n = 2, 3, 4$, $I_{OH} = 100\mu\text{A}$, $3\text{V} < V_{DD} < 7.5\text{V}$	$V_{DD} - 1.5$	$V_{DD} - 1.1$	V_{DD}	V
		OUT pin configured in active high mode, $(V_n - V_{n-1})$ and $(V_1 - V_{SS}) < V_{OV}$, $n = 2, 3, 4$, $I_{OL} = 100\mu\text{A}$ flowing into OUT pin.		190	400	mV
I_{OUTH}	OUT Source Current (during OV)	OUT pin configured in active high mode, $(V_n - V_{n-1})$ or $(V_1 - V_{SS}) > V_{OV}$, $n = 2, 3, 4$, OUT = 0V, current measured sourced from OUT pin.	0.6		5.2	mA
I_{OUTL}	OUT Sink Current	OUT pin configured in active high, open-drain active pulldown, or open-drain inactive pulldown. Device output in pulldown state, OUT driven to 0.5V, current measured into OUT pin.	0.2		4	mA
OV Delay Timer						
t_{DELAY}	OV Delay Time ⁽²⁾	Internal fixed delay, 0.25 second delay option ⁽³⁾	0.14	0.25	0.38	s
		Internal fixed delay, 0.5 second delay option ⁽³⁾	0.34	0.5	0.68	s
		Internal fixed delay, 1 second delay option ⁽³⁾	0.74	1	1.28	s
		Internal fixed delay, 2 second delay option ⁽³⁾	1.54	2	2.48	s
		Internal fixed delay, 3 second delay option ⁽³⁾	2.4	3	3.6	s
		Internal fixed delay, 4 second delay option ⁽³⁾	3.2	4	4.8	s
		Internal fixed delay, 5.5 second delay option ⁽³⁾	4.4	5.5	6.6	s
		Internal fixed delay, 6.5 second delay option ⁽³⁾	5.2	6.5	7.8	s

6.5 Electrical Characteristics (continued)

Typical values stated where $T_A = 25^\circ\text{C}$ and $V_{DD} = 15.2\text{V}$, MIN/MAX values stated where $T_A = -40^\circ\text{C}$ to 110°C , and $V_{DD} = 3\text{V}$ to 22V (unless otherwise noted).

PARAMETER	PARAMETER	TEST CONDITIONS	MIN	TYP	MAX	UNIT
$t_{\text{DELAY_CTM}}$	OV Delay Time in Test Mode	Internal fixed delay		15		ms
$t_{\text{DELAY_RESET}}$	OV Delay Reset Time	With one cell voltage above V_{OV} , others cells below V_{OV} , minimum time the high cell voltage must fall below V_{OV} to reset OV Delay Timer ⁽³⁾	0.1			ms
Regulated Supply Output, REG						
V_{REG}	REG Supply	$V_{\text{DD}} \geq 7.5\text{V}$, $I_{\text{REG}} = 10\mu\text{A}$, $C_{\text{REG}} = 0.47\mu\text{F}$, $V_{\text{REG}} = 3.8\text{V}$, $T_A = 25^\circ\text{C}$	3.724	3.8	3.876	V
		$V_{\text{DD}} \geq 4\text{V}$, $I_{\text{REG}} = 10\mu\text{A}$, $C_{\text{REG}} = 0.47\mu\text{F}$, $V_{\text{REG}} = 3.3\text{V}$, $T_A = 25^\circ\text{C}$	3.234	3.3	3.366	V
		$V_{\text{DD}} \geq 4\text{V}$, $I_{\text{REG}} = 10\mu\text{A}$, $C_{\text{REG}} = 0.47\mu\text{F}$, $V_{\text{REG}} = 3.15\text{V}$, $T_A = 25^\circ\text{C}$	3.087	3.15	3.213	V
		$V_{\text{DD}} \geq 4\text{V}$, $I_{\text{REG}} = 10\mu\text{A}$, $C_{\text{REG}} = 0.47\mu\text{F}$, $V_{\text{REG}} = 3.0\text{V}$, $T_A = 25^\circ\text{C}$	2.94	3.0	3.06	V
		$V_{\text{DD}} \geq 3\text{V}$, $I_{\text{REG}} = 10\mu\text{A}$, $C_{\text{REG}} = 0.47\mu\text{F}$, $V_{\text{REG}} = 2.5\text{V}$, $T_A = 25^\circ\text{C}$	2.45	2.5	2.55	V
		$V_{\text{DD}} \geq 3\text{V}$, $I_{\text{REG}} = 10\mu\text{A}$, $C_{\text{REG}} = 0.47\mu\text{F}$, $V_{\text{REG}} = 1.8\text{V}$, $T_A = 25^\circ\text{C}$	1.764	1.8	1.836	V
		$V_{\text{DD}} \geq 3\text{V}$, $I_{\text{REG}} = 10\mu\text{A}$, $C_{\text{REG}} = 0.47\mu\text{F}$, $V_{\text{REG}} = 1.5\text{V}$, $T_A = 25^\circ\text{C}$	1.470	1.5	1.530	V
V_{REG}	REG Supply	$V_{\text{DD}} \geq 7.5\text{V}$, $I_{\text{REG}} = 3\text{mA}$, $C_{\text{REG}} = 0.47\mu\text{F}$, $V_{\text{REG}} = 3.8\text{V}$	3.58	3.8	3.88	V
		$V_{\text{DD}} \geq 4\text{V}$, $I_{\text{REG}} = 3\text{mA}$, $C_{\text{REG}} = 0.47\mu\text{F}$, $V_{\text{REG}} = 3.3\text{V}$	3.12	3.3	3.39	V
		$V_{\text{DD}} \geq 4\text{V}$, $I_{\text{REG}} = 3\text{mA}$, $C_{\text{REG}} = 0.47\mu\text{F}$, $V_{\text{REG}} = 3.15\text{V}$	2.98	3.15	3.23	V
		$V_{\text{DD}} \geq 4\text{V}$, $I_{\text{REG}} = 3\text{mA}$, $C_{\text{REG}} = 0.47\mu\text{F}$, $V_{\text{REG}} = 3.0\text{V}$	2.84	3.0	3.08	V
		$V_{\text{DD}} \geq 3\text{V}$, $I_{\text{REG}} = 3\text{mA}$, $C_{\text{REG}} = 0.47\mu\text{F}$, $V_{\text{REG}} = 2.5\text{V}$	2.35	2.5	2.57	V
		$V_{\text{DD}} \geq 3\text{V}$, $I_{\text{REG}} = 3\text{mA}$, $C_{\text{REG}} = 0.47\mu\text{F}$, $V_{\text{REG}} = 1.8\text{V}$	1.70	1.8	1.85	V
		$V_{\text{DD}} \geq 3\text{V}$, $I_{\text{REG}} = 3\text{mA}$, $C_{\text{REG}} = 0.47\mu\text{F}$, $V_{\text{REG}} = 1.5\text{V}$	1.42	1.5	1.56	V
$I_{\text{REG_SC_Limit}}$	REG Output Short Circuit Current Limit	$\text{REG} = V_{\text{SS}}$, $C_{\text{REG}} = 0.47\mu\text{F}$	3.2		25	mA
$R_{\text{REG_PD}}$	REG pull-down resistor	Activated when REG is disabled	20	30	40	k Ω
Regulated Supply Undervoltage Self-disable						
V_{UVREG}	Undervoltage detection accuracy	Factory Configuration: 1.0V to 4.15V in 50mV steps, $T_A = 25^\circ\text{C}$	-50		50	mV
V_{UVHYS}	Undervoltage detection hysteresis		250	300	350	mV
t_{UVDELAY}	Undervoltage detection delay ⁽³⁾		5.2	6.5	7.8	s
V_{UVQUAL}	Cell voltage to qualify for UV detection		0.45	0.5	0.55	V

- (1) Specified by a combination of characterization and production test
- (2) Delay values specified when transitioning from NORMAL mode to OVERVOLTAGE mode. While device is in UNDERVOLTAGE mode, the delay can increase by a value between 0 and 1.2 seconds.
- (3) Specified by a combination of design and production test

6.6 Typical Characteristics

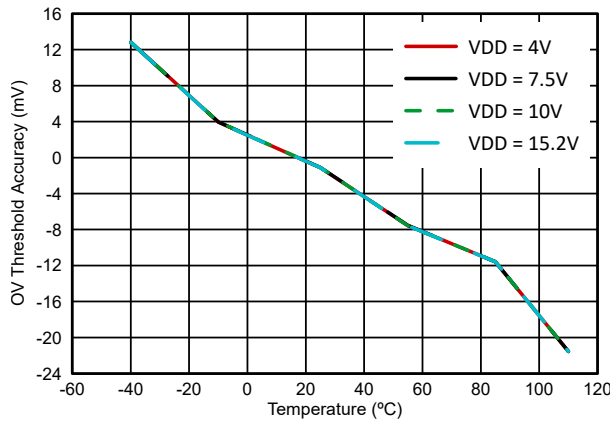


Figure 6-1. Overvoltage Threshold Accuracy vs. Temperature

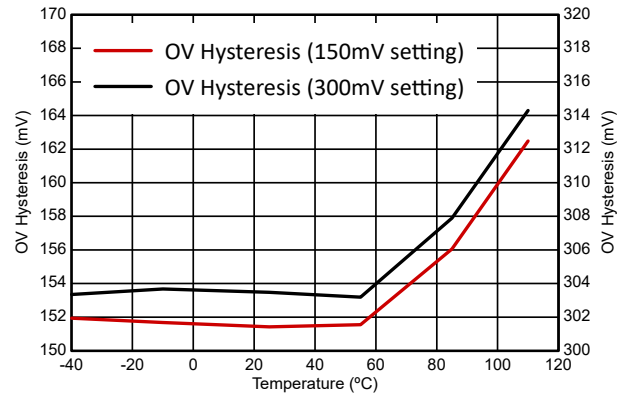


Figure 6-2. Overvoltage Hysteresis vs. Temperature

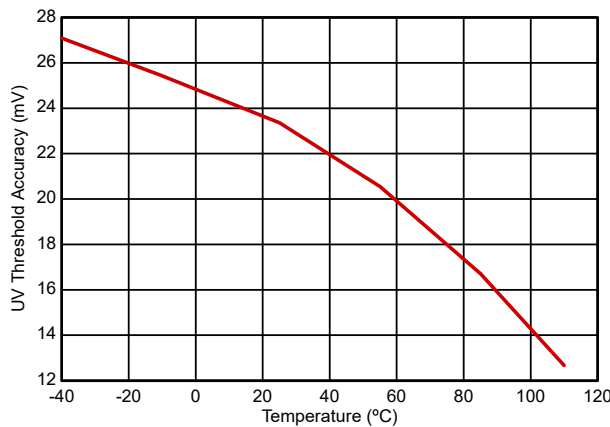


Figure 6-3. Undervoltage Threshold Accuracy vs. Temperature

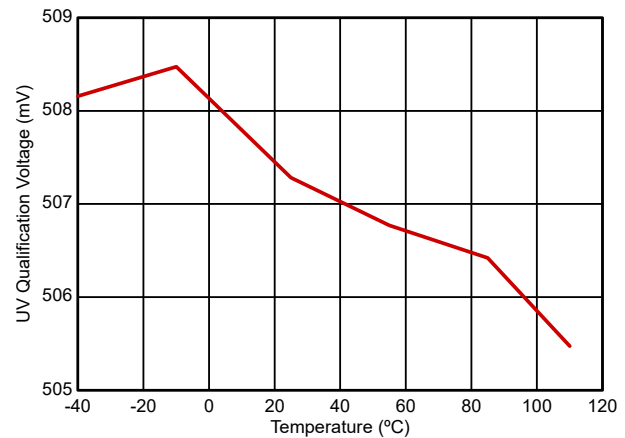


Figure 6-4. Undervoltage Qualification Voltage vs. Temperature

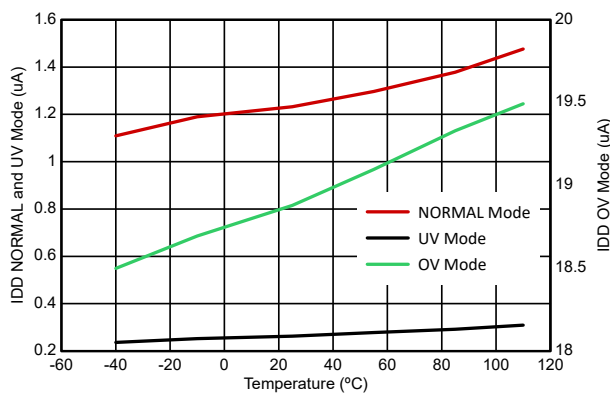


Figure 6-5. I_{DD} vs. Temperature

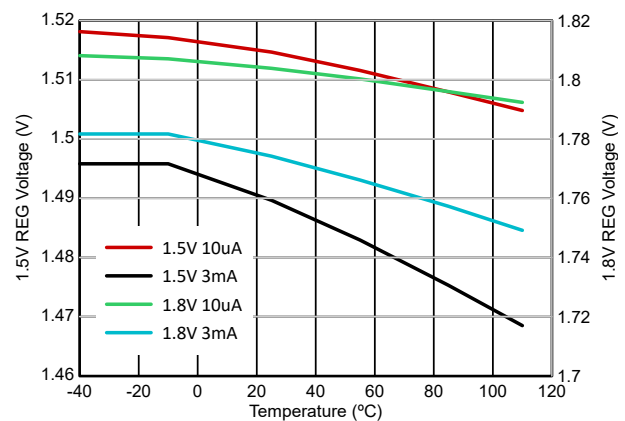


Figure 6-6. Regulator Output vs. Temperature, 1.5V and 1.8V Settings

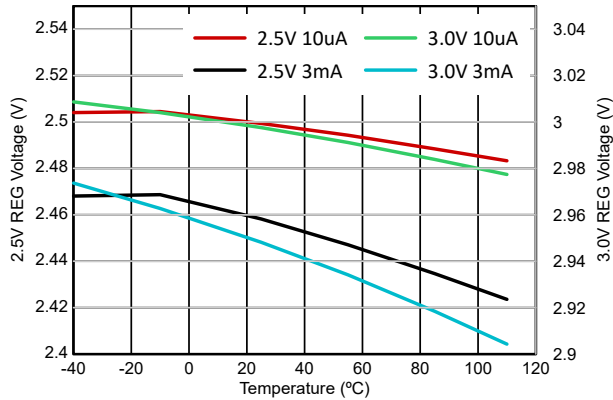


Figure 6-7. Regulator Output vs. Temperature, 2.5V and 3.0V Settings

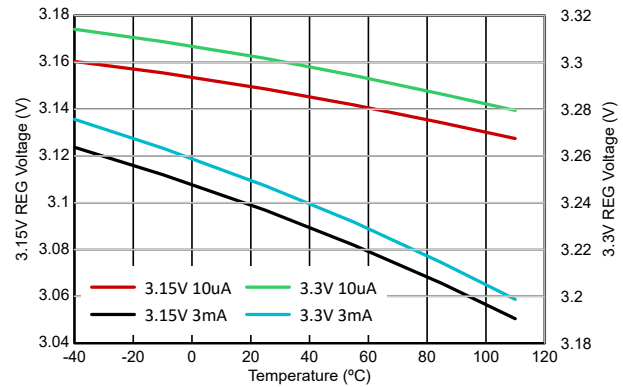


Figure 6-8. Regulator Output vs. Temperature, 3.15V and 3.3V Settings

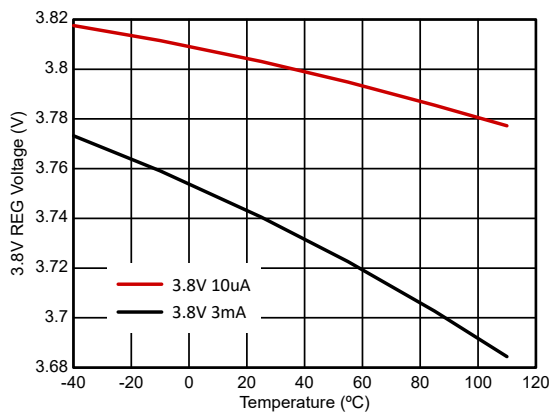


Figure 6-9. Regulator Output vs. Temperature, 3.8V Setting

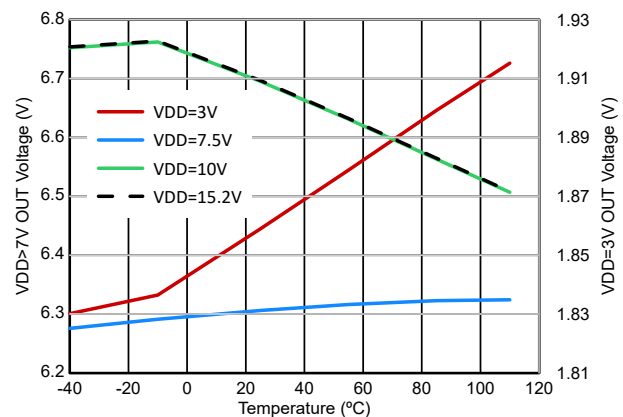


Figure 6-10. V_{OUT} vs Temperature, with 100 μ A Load Current on OUT

7 Detailed Description

7.1 Overview

The BQ2969 family is a high-accuracy, low-power second-level overvoltage protector with a 3mA regulated output supply for Li-ion and LiFePO₄ (LFP) battery pack applications.

Each cell in a 2-series to 4-series cell stack is individually monitored for an overvoltage condition by comparing the actual cell voltage to an overvoltage threshold V_{OV} . The overvoltage threshold is preprogrammed at the factory with a range between 3.6V to 5.2V. The device initiates an internal fixed-delay timer when an overvoltage condition is detected on any cell. Upon expiration of the delay timer, the output pin is triggered into an active state to indicate that an overvoltage condition has occurred. The output pin can be configured to be active-high, open-drain active pulldown, or open-drain inactive pulldown. The device recovers from the overvoltage condition when all cell voltages are detected below the overvoltage threshold by a hysteresis level, which can be programmed to 150mV or 300mV. Alternatively, the output pin can be programmed to latch and not recover whenever it is activated.

The regulated output supply is programmable from 1.5V to 3.8V and delivers up to 3mA output current to drive always-on circuits, such as a real-time clock (RTC) oscillator. The BQ2969 family has a self-disable function to turn off the regulated output if any cell voltage falls below a programmable undervoltage threshold, thereby preventing drain on the battery. This undervoltage threshold can be programmed over a range from 1V to 4.15V.

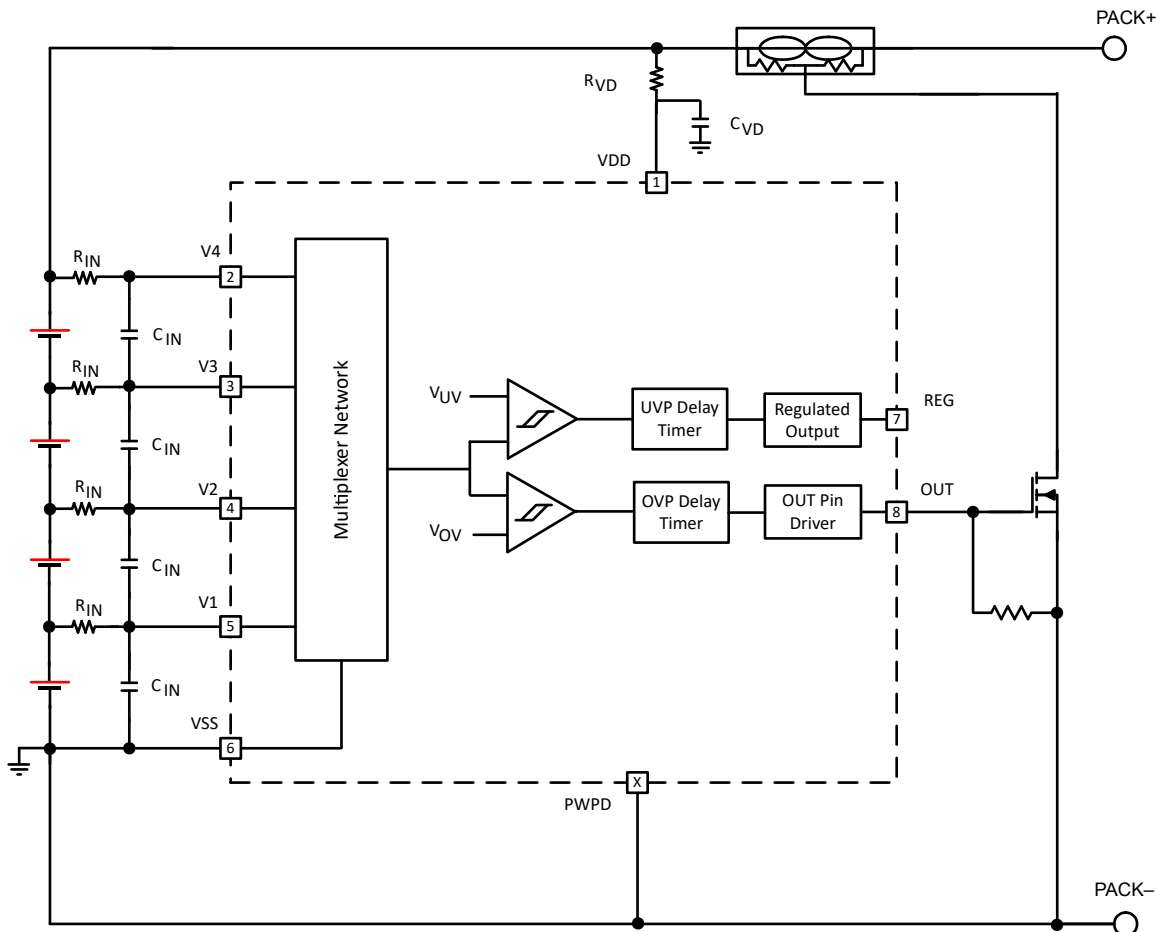
The BQ2969 family provides extremely low power operation, drawing only 1.23 μ A during normal operation (excluding regulator load current), and dropping to 0.25 μ A when in an undervoltage condition. Even when in the

undervoltage state, the device still monitors cell voltages and can detect an overvoltage condition on any other cell (which can occur in an imbalanced pack) and assert the output pin.

Table 7-1. Programmable Parameters

OVERVOLTAGE RANGE (V)	OVERVOLTAGE DELAY (s)	OVERVOLTAGE HYSTERESIS (mV)	UNDERVOLTAGE RANGE (V)	OUT PIN MODE	LATCHED OUT	REGULATOR (V)
3.6 to 5.2 in 1mV steps	0.25, 0.5, 1, 2, 3, 4, 5.5, 6.5	150, 300	1.0 to 4.15 in 50mV steps	active high, open-drain active pulldown, open-drain inactive pulldown	yes, no	1.5, 1.8, 2.5, 3.0, 3.15, 3.3, 3.8

7.2 Functional Block Diagram



BQ2969 Block Diagram

7.3 Feature Description

7.3.1 Pin Details

7.3.1.1 Input Sense Voltage, V_x

These inputs sense each battery cell voltage. A series resistor and a capacitor across the cell for each input is required for noise filtering and stable voltage monitoring.

7.3.1.2 Output Drive, OUT

This terminal serves as the fault signal output whenever an overvoltage condition on any cell is detected. The pin can be configured as active high, open-drain active pulldown, or open-drain inactive pulldown. The pin can also be programmed to latch asserted when an overvoltage condition occurs, or to recover after the maximum cell voltage drops 150mV or 300mV below the overvoltage threshold.

7.3.1.3 Supply Input, VDD

This terminal is the unregulated input power source for the device. A series resistor is connected to limit the current, and a capacitor is connected to ground for noise filtering.

7.3.1.4 Regulated Supply Output, REG

The BQ2969 provides a regulated supply on the REG pin, which can be used to power external circuitry such as a real-time clock or other function. The REG output includes current limit protection circuit and also detects and protects for excessive power dissipation due to short circuit of the external load. This pin requires a ceramic 0.47µF capacitor connection to VSS for stability, noise immunity, and ESD performance of the supply output. This capacitor must be placed close to the REG and VSS pins for connection.

7.3.2 Overvoltage Sensing for OUT

Each cell in the BQ2969 device is monitored independently for an overvoltage condition. Overvoltage is detected by comparing the actual cell voltage to a protection voltage reference, V_{OV} . If any cell voltage exceeds the programmed V_{OV} value, an internal timer circuit is activated. After the timer completes a fixed, pre-programmed delay, the OUT pin transitions from an inactive state to the active state.

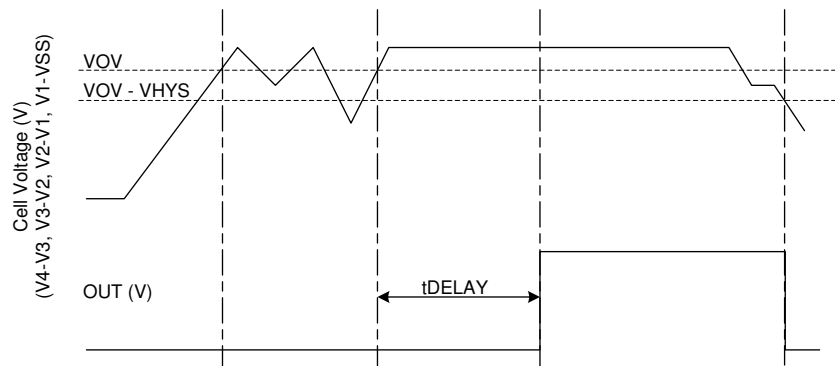


Figure 7-1. Timing for Overvoltage Sensing for OUT

7.3.3 Regulator Output Voltage

At power up, the regulator output in the BQ2969 is on by default. If any cell voltage is below V_{UVREG} at device power up, the regulator output remains on until the $t_{UVDELAY}$ time has passed, then the device disables the regulator output.

During discharge, if any cell voltage falls below the V_{UVREG} threshold for $t_{UVDELAY}$ time, the regulator output is self-disabled. The regulator output turns on again when all the cell voltages are above $V_{UVREG} + V_{UVHYS}$.

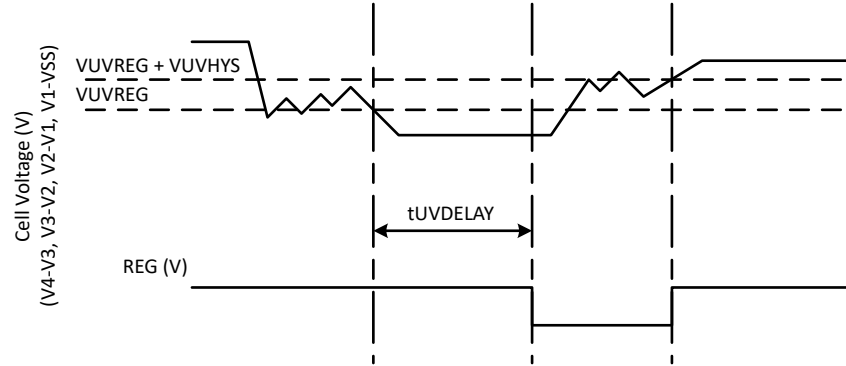


Figure 7-2. REG Output Timing

7.4 Device Functional Modes

7.4.1 NORMAL Mode

When all of the cell voltages are below the V_{OV} threshold AND above the V_{UVREG} threshold, the device operates in NORMAL mode. The device regularly monitors the differential cell voltages connected across (V1–VSS), (V2–V1), (V3–V2), and (V4–V3). The OUT pin is inactive in this mode, and the regulated output is enabled.

7.4.2 OVERVOLTAGE Mode

OVERVOLTAGE mode is detected if any of the cell voltages exceed the overvoltage threshold, V_{OV} , for a configured OV delay time. The OUT pin is activated after a delay time pre-programmed at the factory. This pin is typically used to then enable an external FET and blow a fuse to disable the pack. When all of the cell voltages fall below ($V_{OV} - V_{HYS}$) and remain above the V_{UVREG} threshold, the device returns to NORMAL mode if the output is not configured to latch when asserted. The regulated output remains enabled in this mode if all cell voltages are above V_{UVREG} .

7.4.3 UNDERVOLTAGE Mode

The UNDERVOLTAGE mode is detected if any of the cell voltage across (V1–VSS), (V2–V1), (V3–V2), or (V4–V3) is below the V_{UVREG} threshold for $t_{UVDELAY}$ time. In this mode, the regulated output is disabled. To return to NORMAL mode, all the cell voltages must be above ($V_{UVREG} + V_{UVHYS}$) and below V_{OV} .

If the device is used in a system with fewer than 4 cells, V_n pin can be shorted to the (V_{n-1}) pin. The device ignores any differential cell voltage below the V_{UVQUAL} threshold for undervoltage detection.

Even when in the UNDERVOLTAGE mode, the device continues to regularly monitor each cell voltage, checking if any cell voltage exceeds the V_{OV} threshold. If a condition occurs whereby a cell voltage is above V_{OV} and another cell voltage is below V_{UVREG} , such as can happen in a heavily imbalanced pack, then the OUT pin is activated and the regulator is disabled.

7.4.4 CUSTOMER TEST MODE

The Customer Test Mode (CTM) helps to reduce test time for checking the overvoltage delay-timer parameter once the circuit is implemented into the battery pack. To enter CTM, the VDD pin must be set at approximately 10V higher than V4 (see Figure 7-3). In this mode, the overvoltage delay timer is reduced to approximately 20ms, considerably shorter than the timer delay in normal operation. To exit CTM, reduce the VDD voltage back to the voltage of V4, which causes the device to exit this mode.

CAUTION

Avoid exceeding any Absolute Maximum Voltages on any pins when placing the device into CTM. Stressing the pins beyond the rated limits can cause permanent damage to the device.

Figure 7-3 shows the timing for the Customer Test Mode.

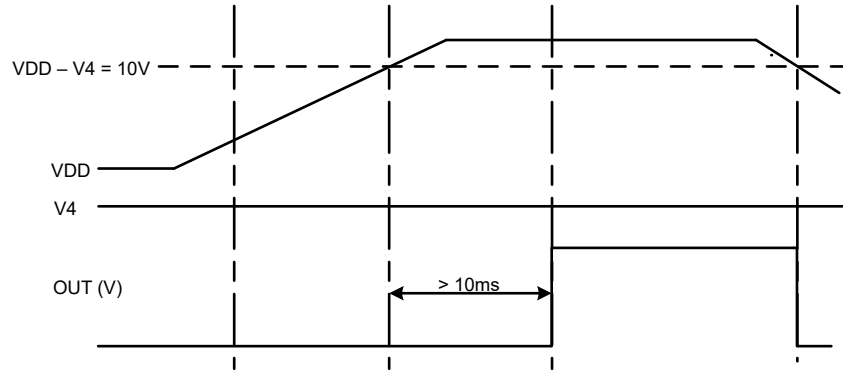


Figure 7-3. Timing for Customer Test Mode

Figure 7-4 shows the measurement for current consumption of the product for VDD and the cell input pins.

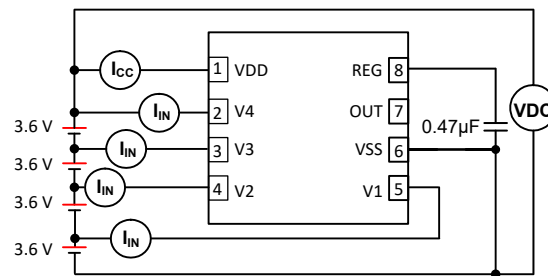


Figure 7-4. Configuration for Integrated Circuit Current Consumption Test

8 Application and Implementation

Note

Information in the following applications sections is not part of the TI component specification, and TI does not warrant its accuracy or completeness. TI's customers are responsible for determining suitability of components for their purposes. Customers should validate and test their design implementation to confirm system functionality.

8.1 Application Information

The BQ2969 family of second-level protectors is used for overvoltage protection of the battery pack in the application. A regulated output is available to drive local external circuitry. The device OUT pin can be configured in one of 3 drive types and is asserted whenever the device enters the overvoltage mode. The pin is typically used to drive an NMOS FET that blows a fuse in the event of a fault condition, thereby disconnecting the pack power path.

8.2 Typical Application

Figure 8-1 shows a simplified application schematic using the BQ2969 together with the associated passive components and external NFET to flow a high-side fuse.

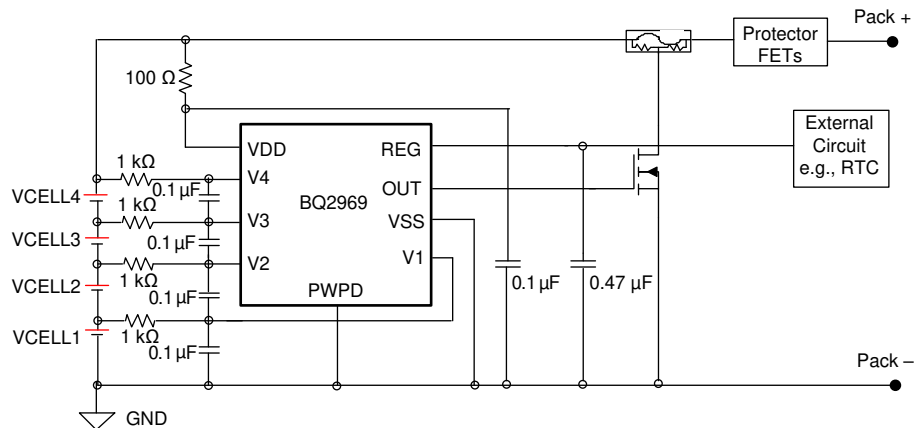


Figure 8-1. BQ2969 4-Series Cell Typical Implementation (Simplified Schematic)

A full schematic of a basic circuit based on the BQ2969 for a 4-series battery pack evaluation module is shown below. Figure 8-8 and Figure 8-9 show the board layout for this design.

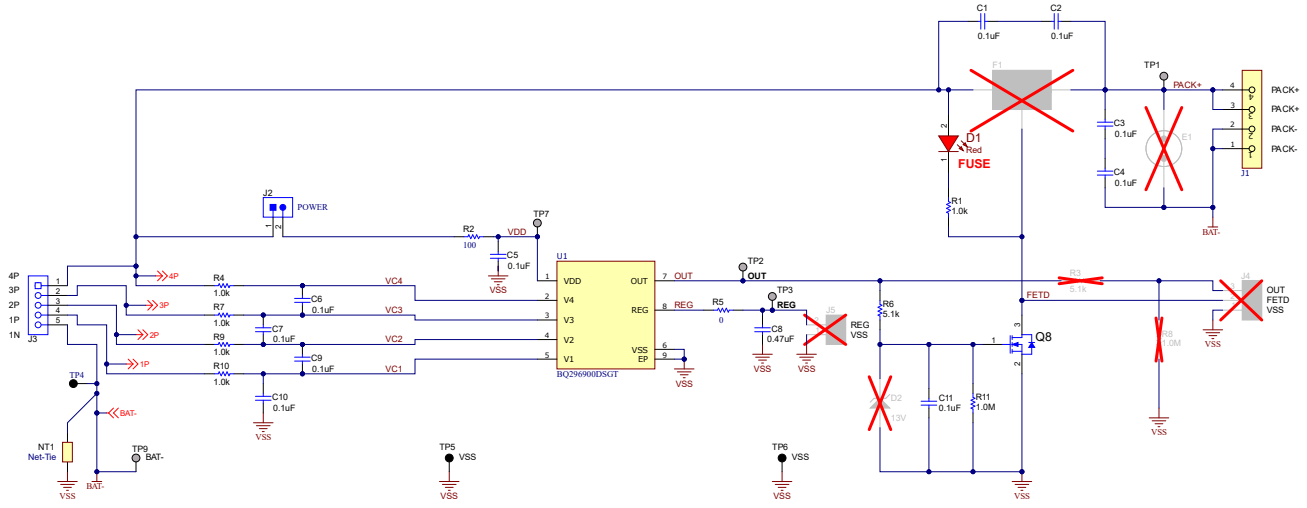


Figure 8-2. BQ2969 4-Series Cell Schematic Diagram - Protector and Fuse Blow Circuitry

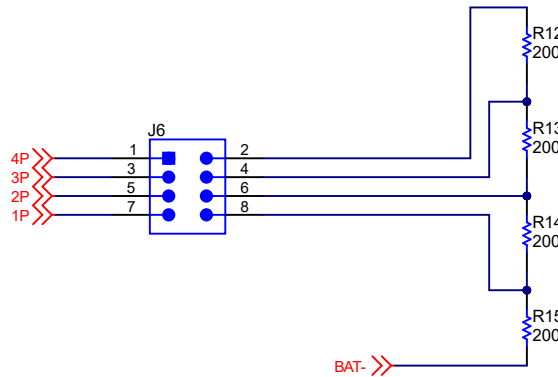


Figure 8-3. BQ2969 4-Series Cell Schematic Diagram - Cell Simulator Circuitry

8.2.1 Design Requirements

Note

Changes to the ranges shown in Table 8-1 can impact the accuracy of the cell measurements.

Table 8-1. Parameters

PARAMETER	EXTERNAL COMPONENT	MIN	NOM	MAX	UNIT
Voltage monitor filter resistance	R_{IN}	900	1000	4700	Ω
Voltage monitor filter capacitance	C_{IN}	0.01	0.1	1.0	μF
Supply voltage filter resistance	R_{VD}	100	—	1000	Ω
Supply voltage filter capacitance	C_{VD}	—	0.1	1.0	μF
REG output capacitance	C_{REG}	0.47	1	—	μF

Note

The device is calibrated using an R_{IN} value = 1000 Ω . Using a value other than the recommended value changes the accuracy of the cell voltage measurements and V_{OV} trigger level.

8.2.2 Detailed Design Procedure

1. The device allows a random cell connection to the VSS, V1, V2, V3, and V4 pins. The device does not require VSS to be connected first and does not require cells to be connected in a particular order. However, the OUT pin being temporarily asserted during cell attach is possible, depending on the timing of the attachment and the external circuitry connected to the device. The user can want to take measures to ensure this does not cause issues on the production line.
2. If fewer than 4 cells are used, then an unused cell input pin V_n must be shorted to the next lower cell input pin (V_{n-1}).
3. The cell input capacitors, the supply pin capacitor, and the REG output capacitor are recommended to be placed close to the device, minimizing trace length on the PCB.

8.2.3 Application Curves

The scope plots below show the response of the device transitioning among the different states. [Figure 8-4](#) shows the device detecting an overvoltage event and asserting the OUT pin to blow an external fuse after the overvoltage delay period. [Figure 8-5](#) displays the device recovering from the overvoltage event when all cell voltages have fallen below the overvoltage threshold by the required hysteresis level, and the OUT pin deasserting. [Figure 8-6](#) shows the device detecting an undervoltage condition and disabling the REG LDO output after the undervoltage delay period. [Figure 8-7](#) then depicts the device recovering from the undervoltage condition and re-enabling the REG LDO when all cell voltages have risen above the undervoltage threshold by the required hysteresis level.

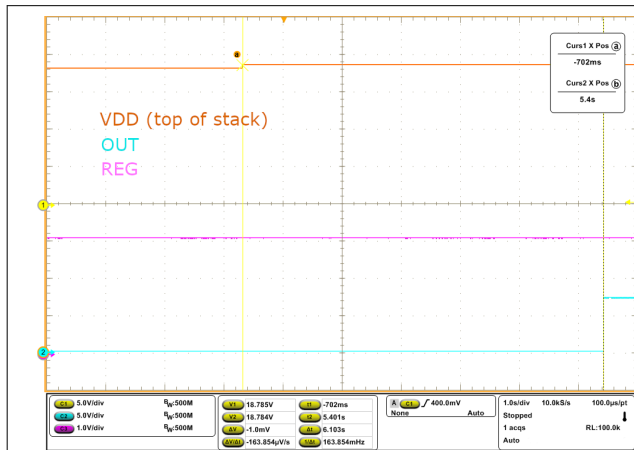


Figure 8-4. Overvoltage Protection Triggering

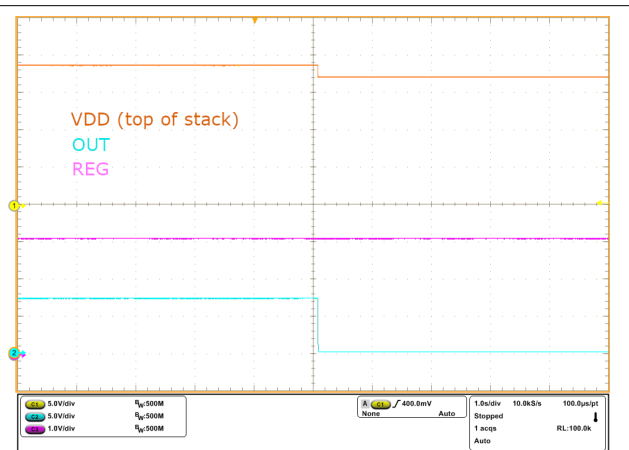


Figure 8-5. Overvoltage Protection Recovery

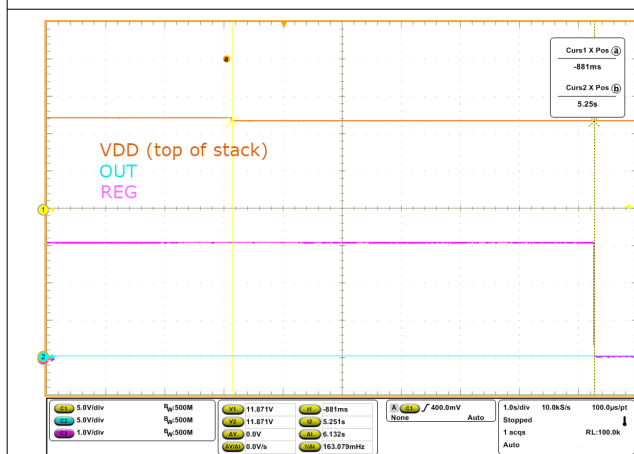


Figure 8-6. Undervoltage Detection to Disable the Regulator

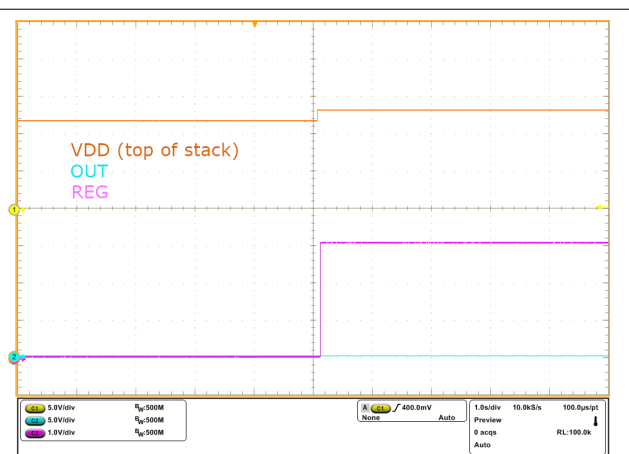


Figure 8-7. Undervoltage Recovery to Re-enable the Regulator

8.3 Power Supply Recommendations

Connect a series resistor between the top of the cell stack and the VDD pin on the BQ2969. Connect a capacitor between the VDD and VSS pins on the device, positioned close to the pins on the PCB. Connect the VSS pin to the bottom of the cell stack.

8.4 Layout

8.4.1 Layout Guidelines

Use the following layout guidelines:

1. Ensure the RC filters for the cell input pins (V4, V3, V2, V1, VSS) and VDD pin are placed as close as possible to the target pin, reducing the tracing loop area.
2. Place the regulator output capacitor between REG and VSS, keeping the capacitor close to the device pins.
3. Ensure the trace connecting the fuse through the NFET to the Pack– is sufficient to withstand the expected current during a fuse blow event.

8.4.2 Layout Example

An example circuit layout using the BQ2969 device in a 4-series cell design is described below in [Figure 8-8](#) and [Figure 8-9](#). The design implements the schematic shown in [Figure 8-2](#) and [Figure 8-3](#), and uses a 2-layer circuit card assembly with cell connections on the left edge and pack connections on the right edge of the board.

Care must be taken to place the RC filter components close to the VC pins of the device. Be sure to use a sufficiently wide trace for the NFET source and drain connections to support the maximum current that flows during a fuse blow event.

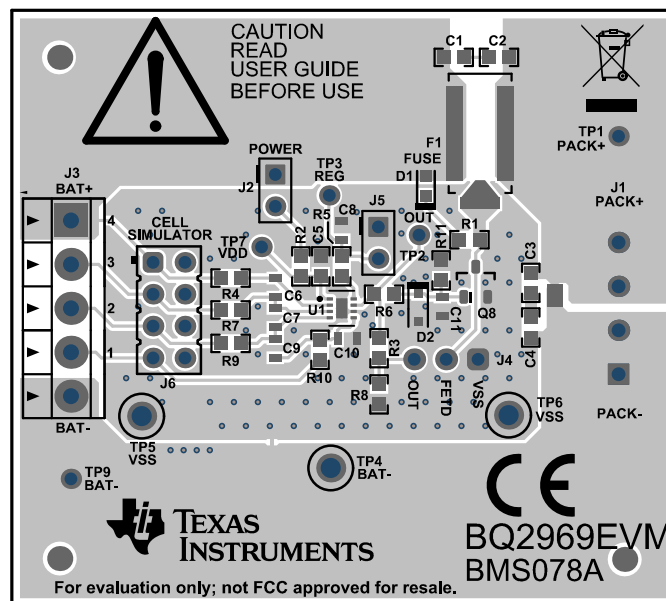


Figure 8-8. BQ2969 Two-Layer Board Layout - Top Layer

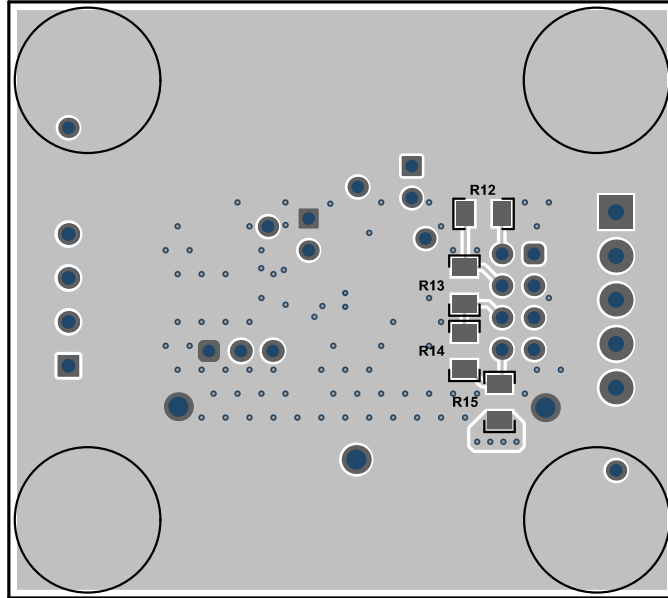


Figure 8-9. BQ2969 Two-Layer Board Layout - Bottom Layer

9 Device and Documentation Support

9.1 Device Support

9.1.1 Third-Party Products Disclaimer

TI'S PUBLICATION OF INFORMATION REGARDING THIRD-PARTY PRODUCTS OR SERVICES DOES NOT CONSTITUTE AN ENDORSEMENT REGARDING THE SUITABILITY OF SUCH PRODUCTS OR SERVICES OR A WARRANTY, REPRESENTATION OR ENDORSEMENT OF SUCH PRODUCTS OR SERVICES, EITHER ALONE OR IN COMBINATION WITH ANY TI PRODUCT OR SERVICE.

9.2 Receiving Notification of Documentation Updates

To receive notification of documentation updates, navigate to the device product folder on ti.com. In the upper right corner, click on *Alert me* to register and receive a weekly digest of any product information that has changed. For change details, review the revision history included in any revised document.

9.3 Support Resources

TI E2E™ support forums are an engineer's go-to source for fast, verified answers and design help — straight from the experts. Search existing answers or ask your own question to get the quick design help you need.

Linked content is provided "AS IS" by the respective contributors. They do not constitute TI specifications and do not necessarily reflect TI's views; see TI's [Terms of Use](#).

9.4 Trademarks

TI E2E™ is a trademark of Texas Instruments.

All trademarks are the property of their respective owners.

9.5 Electrostatic Discharge Caution



This integrated circuit can be damaged by ESD. Texas Instruments recommends that all integrated circuits be handled with appropriate precautions. Failure to observe proper handling and installation procedures can cause damage.

ESD damage can range from subtle performance degradation to complete device failure. Precision integrated circuits may be more susceptible to damage because very small parametric changes could cause the device not to meet its published specifications.

9.6 Glossary

[TI Glossary](#) This glossary lists and explains terms, acronyms, and definitions.

10 Revision History

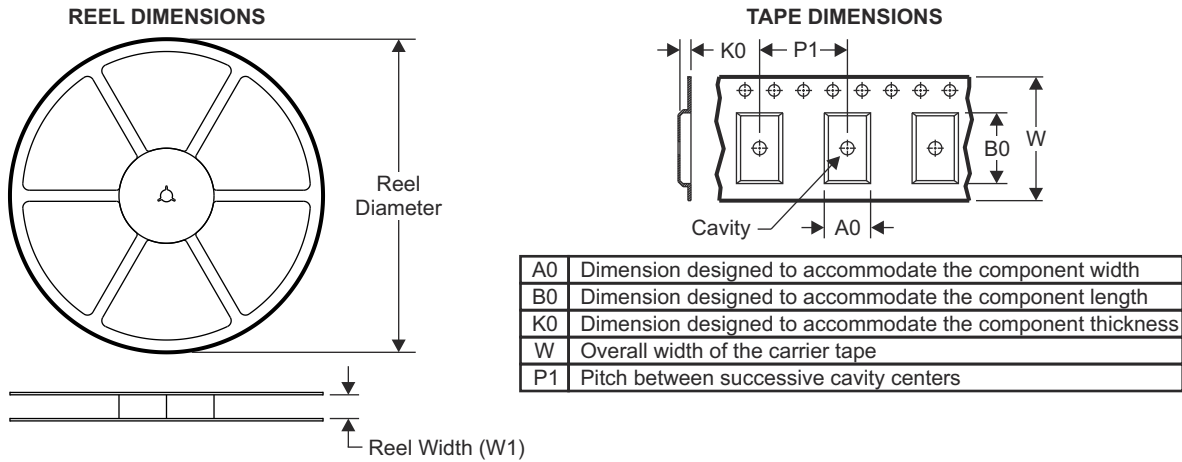
NOTE: Page numbers for previous revisions may differ from page numbers in the current version.

Changes from Revision B (June 2025) to Revision C (June 2025)	Page
• Changed BQ296901, BQ296902, and BQ296910 to active in the Device Comparison Table	3
Changes from Revision A (May 2025) to Revision B (June 2025)	Page
• Changed BQ296909 to active in the Device Comparison Table	3
Changes from Revision * (August 2024) to Revision A (May 2025)	Page
• Added BQ296901, BQ296902, BQ296909, and BQ296910 to the Device Comparison Table	3
• Updated $t_{\text{DELAY_RESET}}$ description in Electrical Characteristics	4
• Added clarification information in Detailed Design Procedure	15

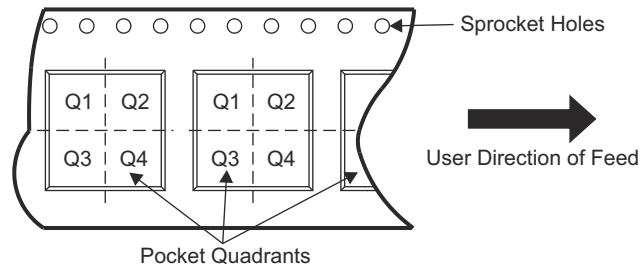
11 Mechanical, Packaging, and Orderable Information

The following pages include mechanical, packaging, and orderable information. This information is the most current data available for the designated devices. This data is subject to change without notice and revision of this document. For browser-based versions of this data sheet, refer to the left-hand navigation.

11.1 Tape and Reel Information

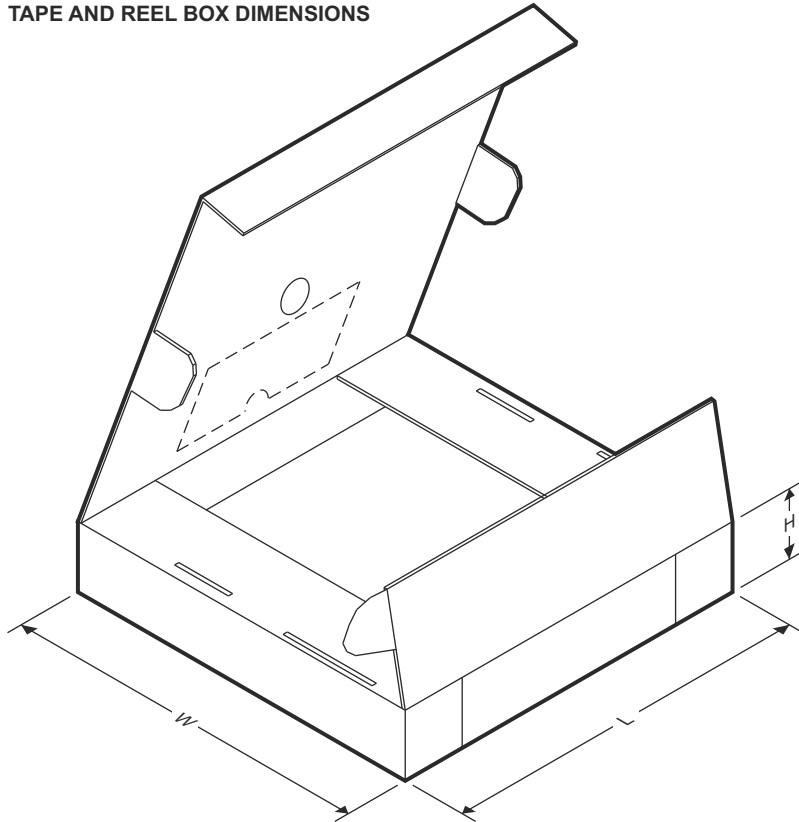


QUADRANT ASSIGNMENTS FOR PIN 1 ORIENTATION IN TAPE



Device	Package Type	Package Drawing	Pins	SPQ	Reel Diameter (mm)	Reel Width W1 (mm)	A0 (mm)	B0 (mm)	K0 (mm)	P1 (mm)	W (mm)	Pin 1 Quadrant
BQ296900DSGR	WSON	DSG	8	3000	180.0	8.4	2.3	2.3	1.15	4.0	8.0	Q3
BQ296901DSGR	WSON	DSG	8	3000	180.0	8.4	2.3	2.3	1.15	4.0	8.0	Q3
BQ296902DSGR	WSON	DSG	8	3000	180.0	8.4	2.3	2.3	1.15	4.0	8.0	Q3
BQ296907DSGR	WSON	DSG	8	3000	180.0	8.4	2.3	2.3	1.15	4.0	8.0	Q3
BQ296909DSGR	WSON	DSG	8	3000	180.0	8.4	2.3	2.3	1.15	4.0	8.0	Q3
BQ296910DSGR	WSON	DSG	8	3000	180.0	8.4	2.3	2.3	1.15	4.0	8.0	Q3

TAPE AND REEL BOX DIMENSIONS



Device	Package Type	Package Drawing	Pins	SPQ	Length (mm)	Width (mm)	Height (mm)
BQ296900DSGR	WSON	DSG	8	3000	210.0	185.0	35.0
BQ296901DSGR	WSON	DSG	8	3000	210.0	185.0	35.0
BQ296902DSGR	WSON	DSG	8	3000	210.0	185.0	35.0
BQ296907DSGR	WSON	DSG	8	3000	210.0	185.0	35.0
BQ296909DSGR	WSON	DSG	8	3000	210.0	185.0	35.0
BQ296910DSGR	WSON	DSG	8	3000	210.0	185.0	35.0

PACKAGING INFORMATION

Orderable part number	Status (1)	Material type (2)	Package Pins	Package qty Carrier	RoHS (3)	Lead finish/ Ball material (4)	MSL rating/ Peak reflow (5)	Op temp (°C)	Part marking (6)
BQ296900DSGR	Active	Production	WSON (DSG) 8	3000 LARGE T&R	Yes	NIPDAU	Level-1-260C-UNLIM	-40 to 105	6900
BQ296900DSGR.A	Active	Production	WSON (DSG) 8	3000 LARGE T&R	Yes	NIPDAU	Level-1-260C-UNLIM	-40 to 105	6900
BQ296901DSGR	Active	Production	WSON (DSG) 8	3000 LARGE T&R	Yes	NIPDAU	Level-1-260C-UNLIM	-40 to 110	6901
BQ296902DSGR	Active	Production	WSON (DSG) 8	3000 LARGE T&R	Yes	NIPDAU	Level-1-260C-UNLIM	-40 to 110	6902
BQ296907DSGR	Active	Production	WSON (DSG) 8	3000 LARGE T&R	Yes	NIPDAU	Level-1-260C-UNLIM	-40 to 105	6907
BQ296907DSGR.A	Active	Production	WSON (DSG) 8	3000 LARGE T&R	Yes	NIPDAU	Level-1-260C-UNLIM	-40 to 105	6907
BQ296909DSGR	Active	Production	WSON (DSG) 8	3000 LARGE T&R	Yes	NIPDAU	Level-1-260C-UNLIM	-40 to 110	6909
BQ296910DSGR	Active	Production	WSON (DSG) 8	3000 LARGE T&R	Yes	NIPDAU	Level-1-260C-UNLIM	-40 to 110	6910

(1) **Status:** For more details on status, see our [product life cycle](#).

(2) **Material type:** When designated, preproduction parts are prototypes/experimental devices, and are not yet approved or released for full production. Testing and final process, including without limitation quality assurance, reliability performance testing, and/or process qualification, may not yet be complete, and this item is subject to further changes or possible discontinuation. If available for ordering, purchases will be subject to an additional waiver at checkout, and are intended for early internal evaluation purposes only. These items are sold without warranties of any kind.

(3) **RoHS values:** Yes, No, RoHS Exempt. See the [TI RoHS Statement](#) for additional information and value definition.

(4) **Lead finish/Ball material:** Parts may have multiple material finish options. Finish options are separated by a vertical ruled line. Lead finish/Ball material values may wrap to two lines if the finish value exceeds the maximum column width.

(5) **MSL rating/Peak reflow:** The moisture sensitivity level ratings and peak solder (reflow) temperatures. In the event that a part has multiple moisture sensitivity ratings, only the lowest level per JEDEC standards is shown. Refer to the shipping label for the actual reflow temperature that will be used to mount the part to the printed circuit board.

(6) **Part marking:** There may be an additional marking, which relates to the logo, the lot trace code information, or the environmental category of the part.

Multiple part markings will be inside parentheses. Only one part marking contained in parentheses and separated by a "-" will appear on a part. If a line is indented then it is a continuation of the previous line and the two combined represent the entire part marking for that device.

Important Information and Disclaimer:The information provided on this page represents TI's knowledge and belief as of the date that it is provided. TI bases its knowledge and belief on information provided by third parties, and makes no representation or warranty as to the accuracy of such information. Efforts are underway to better integrate information from third parties. TI has taken and continues to take reasonable steps to provide representative and accurate information but may not have conducted destructive testing or chemical analysis on incoming materials and chemicals. TI and TI suppliers consider certain information to be proprietary, and thus CAS numbers and other limited information may not be available for release.

In no event shall TI's liability arising out of such information exceed the total purchase price of the TI part(s) at issue in this document sold by TI to Customer on an annual basis.

TAPE AND REEL INFORMATION

QUADRANT ASSIGNMENTS FOR PIN 1 ORIENTATION IN TAPE


*All dimensions are nominal

Device	Package Type	Package Drawing	Pins	SPQ	Reel Diameter (mm)	Reel Width W1 (mm)	A0 (mm)	B0 (mm)	K0 (mm)	P1 (mm)	W (mm)	Pin1 Quadrant
BQ296900DSGR	WSON	DSG	8	3000	180.0	8.4	2.3	2.3	1.15	4.0	8.0	Q3
BQ296901DSGR	WSON	DSG	8	3000	180.0	8.4	2.3	2.3	1.15	4.0	8.0	Q3
BQ296902DSGR	WSON	DSG	8	3000	180.0	8.4	2.3	2.3	1.15	4.0	8.0	Q3
BQ296907DSGR	WSON	DSG	8	3000	180.0	8.4	2.3	2.3	1.15	4.0	8.0	Q3
BQ296909DSGR	WSON	DSG	8	3000	180.0	8.4	2.3	2.3	1.15	4.0	8.0	Q3
BQ296910DSGR	WSON	DSG	8	3000	180.0	8.4	2.3	2.3	1.15	4.0	8.0	Q3

TAPE AND REEL BOX DIMENSIONS


*All dimensions are nominal

Device	Package Type	Package Drawing	Pins	SPQ	Length (mm)	Width (mm)	Height (mm)
BQ296900DSGR	WSON	DSG	8	3000	210.0	185.0	35.0
BQ296901DSGR	WSON	DSG	8	3000	210.0	185.0	35.0
BQ296902DSGR	WSON	DSG	8	3000	210.0	185.0	35.0
BQ296907DSGR	WSON	DSG	8	3000	210.0	185.0	35.0
BQ296909DSGR	WSON	DSG	8	3000	210.0	185.0	35.0
BQ296910DSGR	WSON	DSG	8	3000	210.0	185.0	35.0

GENERIC PACKAGE VIEW

DSG 8

WSON - 0.8 mm max height

2 x 2, 0.5 mm pitch

PLASTIC SMALL OUTLINE - NO LEAD

This image is a representation of the package family, actual package may vary.
Refer to the product data sheet for package details.



4224783/A

DSG0008A



PACKAGE OUTLINE

WSON - 0.8 mm max height

PLASTIC SMALL OUTLINE - NO LEAD



ALTERNATIVE TERMINAL SHAPE TYPICAL



SIDE WALL METAL THICKNESS DIM A	
OPTION 1	OPTION 2
0.1	0.2



4218900/E 08/2022

NOTES:

1. All linear dimensions are in millimeters. Any dimensions in parenthesis are for reference only. Dimensioning and tolerancing per ASME Y14.5M.
2. This drawing is subject to change without notice.
3. The package thermal pad must be soldered to the printed circuit board for thermal and mechanical performance.

EXAMPLE BOARD LAYOUT

DSG0008A

WSON - 0.8 mm max height

PLASTIC SMALL OUTLINE - NO LEAD



LAND PATTERN EXAMPLE
SCALE:20X



SOLDER MASK DETAILS

4218900/E 08/2022

NOTES: (continued)

4. This package is designed to be soldered to a thermal pad on the board. For more information, see Texas Instruments literature number SLUA271 (www.ti.com/lit/slua271).
5. Vias are optional depending on application, refer to device data sheet. If any vias are implemented, refer to their locations shown on this view. It is recommended that vias under paste be filled, plugged or tented.

EXAMPLE STENCIL DESIGN

DSG0008A

WSON - 0.8 mm max height

PLASTIC SMALL OUTLINE - NO LEAD



SOLDER PASTE EXAMPLE
BASED ON 0.125 mm THICK STENCIL

EXPOSED PAD 9:
87% PRINTED SOLDER COVERAGE BY AREA UNDER PACKAGE
SCALE:25X

4218900/E 08/2022

NOTES: (continued)

6. Laser cutting apertures with trapezoidal walls and rounded corners may offer better paste release. IPC-7525 may have alternate design recommendations.

IMPORTANT NOTICE AND DISCLAIMER

TI PROVIDES TECHNICAL AND RELIABILITY DATA (INCLUDING DATASHEETS), DESIGN RESOURCES (INCLUDING REFERENCE DESIGNS), APPLICATION OR OTHER DESIGN ADVICE, WEB TOOLS, SAFETY INFORMATION, AND OTHER RESOURCES "AS IS" AND WITH ALL FAULTS, AND DISCLAIMS ALL WARRANTIES, EXPRESS AND IMPLIED, INCLUDING WITHOUT LIMITATION ANY IMPLIED WARRANTIES OF MERCHANTABILITY, FITNESS FOR A PARTICULAR PURPOSE OR NON-INFRINGEMENT OF THIRD PARTY INTELLECTUAL PROPERTY RIGHTS.

These resources are intended for skilled developers designing with TI products. You are solely responsible for (1) selecting the appropriate TI products for your application, (2) designing, validating and testing your application, and (3) ensuring your application meets applicable standards, and any other safety, security, regulatory or other requirements.

These resources are subject to change without notice. TI grants you permission to use these resources only for development of an application that uses the TI products described in the resource. Other reproduction and display of these resources is prohibited. No license is granted to any other TI intellectual property right or to any third party intellectual property right. TI disclaims responsibility for, and you fully indemnify TI and its representatives against any claims, damages, costs, losses, and liabilities arising out of your use of these resources.

TI's products are provided subject to [TI's Terms of Sale](#), [TI's General Quality Guidelines](#), or other applicable terms available either on ti.com or provided in conjunction with such TI products. TI's provision of these resources does not expand or otherwise alter TI's applicable warranties or warranty disclaimers for TI products. Unless TI explicitly designates a product as custom or customer-specified, TI products are standard, catalog, general purpose devices.

TI objects to and rejects any additional or different terms you may propose.

Copyright © 2025, Texas Instruments Incorporated

Last updated 10/2025