

**Johanson Technology, Inc. Highly temperature-stable Impedance Matched RF Front End Differential Balun-Band Pass Filter Integrated Ceramic Component**

**For the Texas Instruments' CC253X, CC254X, CC257X, CC853X and CC852X Family of Chipsets**

**October 2012**

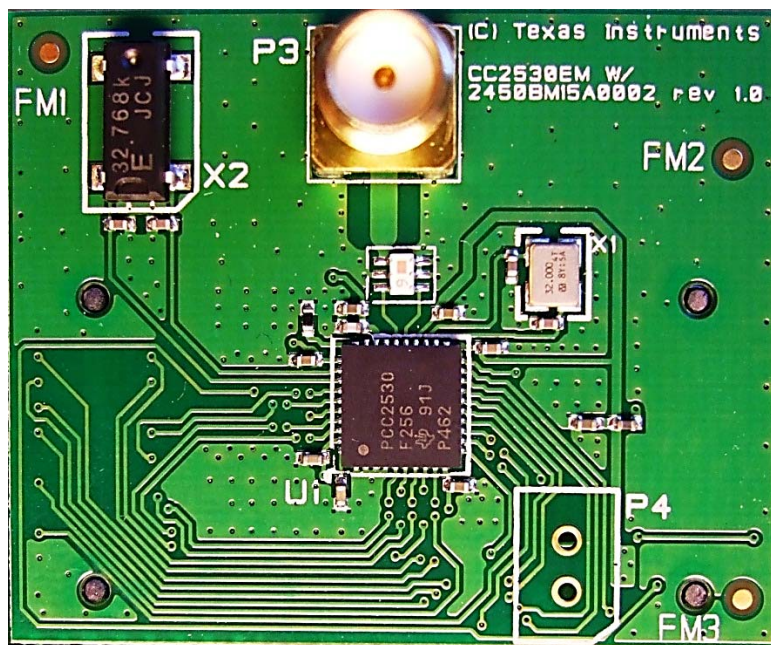
**1. Introduction**

The CC2530, CC2531, CC2533, CC2540, CC2541, CC2543, CC2544, CC2570, CC2571, CC8530, CC8531, CC8520, and CC8521 chipset family from Texas Instruments are single-chip solutions for 2.4 GHz Bluetooth, IEEE 802.15.4, RF4CE, ZigBee, ANT RF network processors, Smart Energy and PurePath™ audio transmission.

Johanson Technology, Inc.'s 2450BM15A0002 Impedance Matched RF Front-End Differential Balun-BPF integrated passive component was specifically designed for use with the CC253X, CC254X, CC257X, CC853X and CC852X family of chipsets. This matched balun simplifies the RF front-end by considerably reducing component count, increase reliability, temperature stability, and implementation area size.

Highly temperature stable ceramic is used to manufacture the 2450BM15A0002 which is optimum for temperature-varied applications such as lighting (rated 125C) or outdoor.

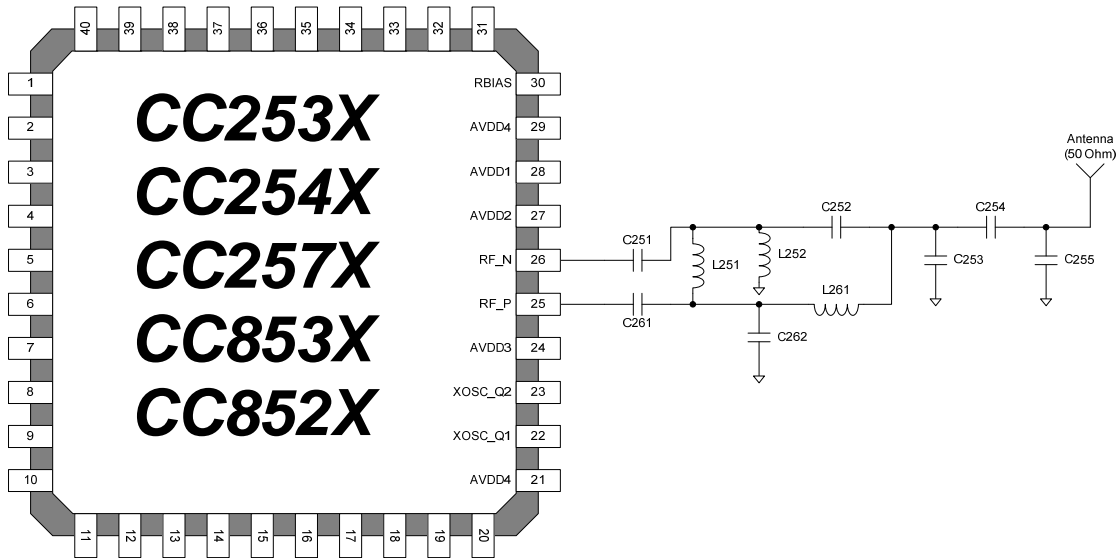
The 2450BM15A0002 is a six-pin device with small mechanical dimensions of only 2.0 mm x 1.25 mm x 0.7mm (EIA 0805) and an approximate footprint of 1.65 mm x 2.8 mm.



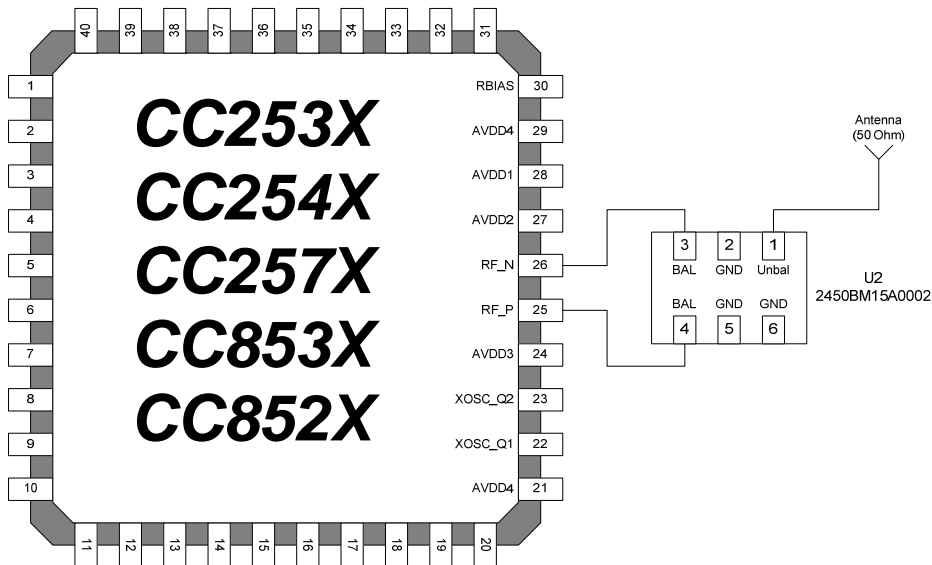
**Figure 1. JTI Photograph of Reference Design for the CC2530**

## 2. Description of the Reference Design

The traditional reference design for the CC253X, CC254X, CC257X, CC853X and CC852X families have been the discrete solutions like the one shown in Figure 2. Johanson Technology has developed a single-SMD component solution with a chip Balun-BPF that is especially matched for the aforementioned family of ICs. The alternate reference design is shown in Figure 3 (pin # and assignment may vary)



**Figure 2. Discrete Reference Design example**



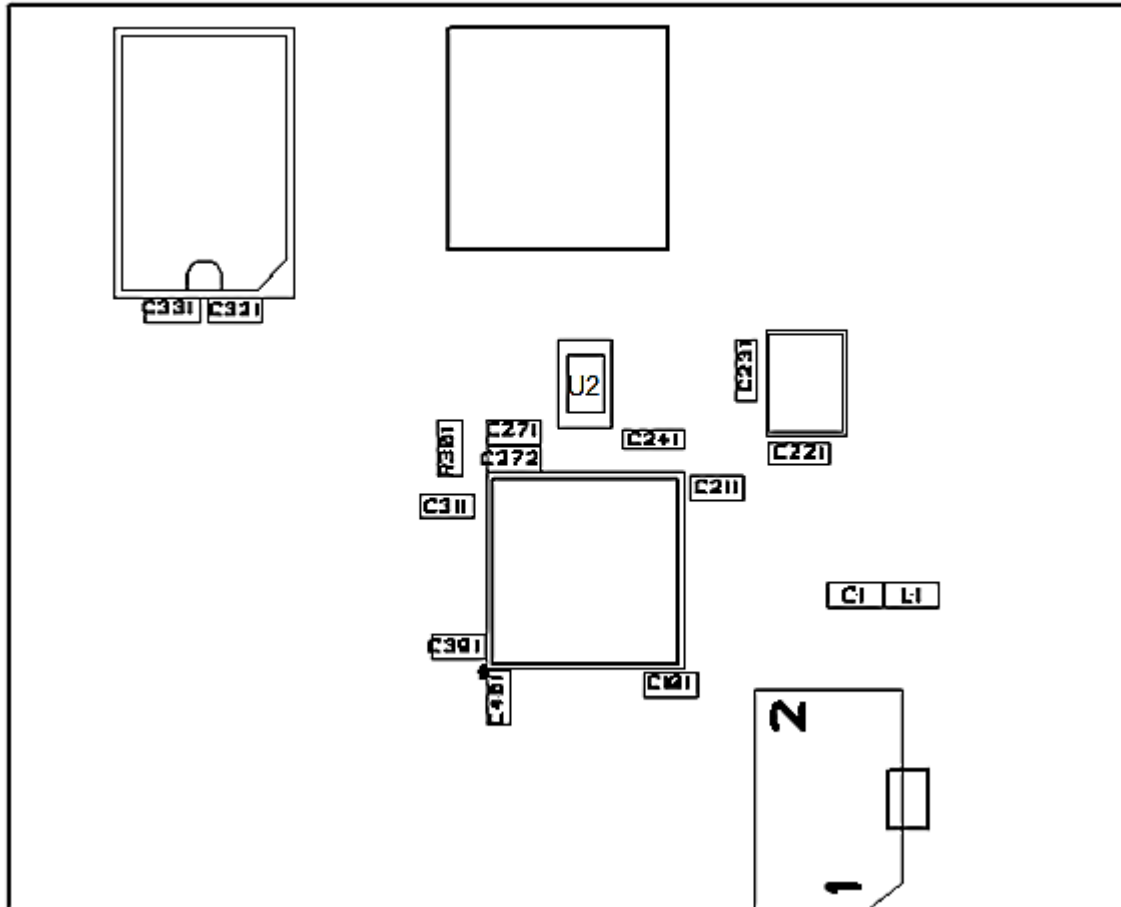
**Figure 3. Johanson Integrated Reference Design example**

Referring to Figure 3, U2 is the JTI matched balun 2450BM15A0002.

Please refer to Appendix A for the datasheet of this component.

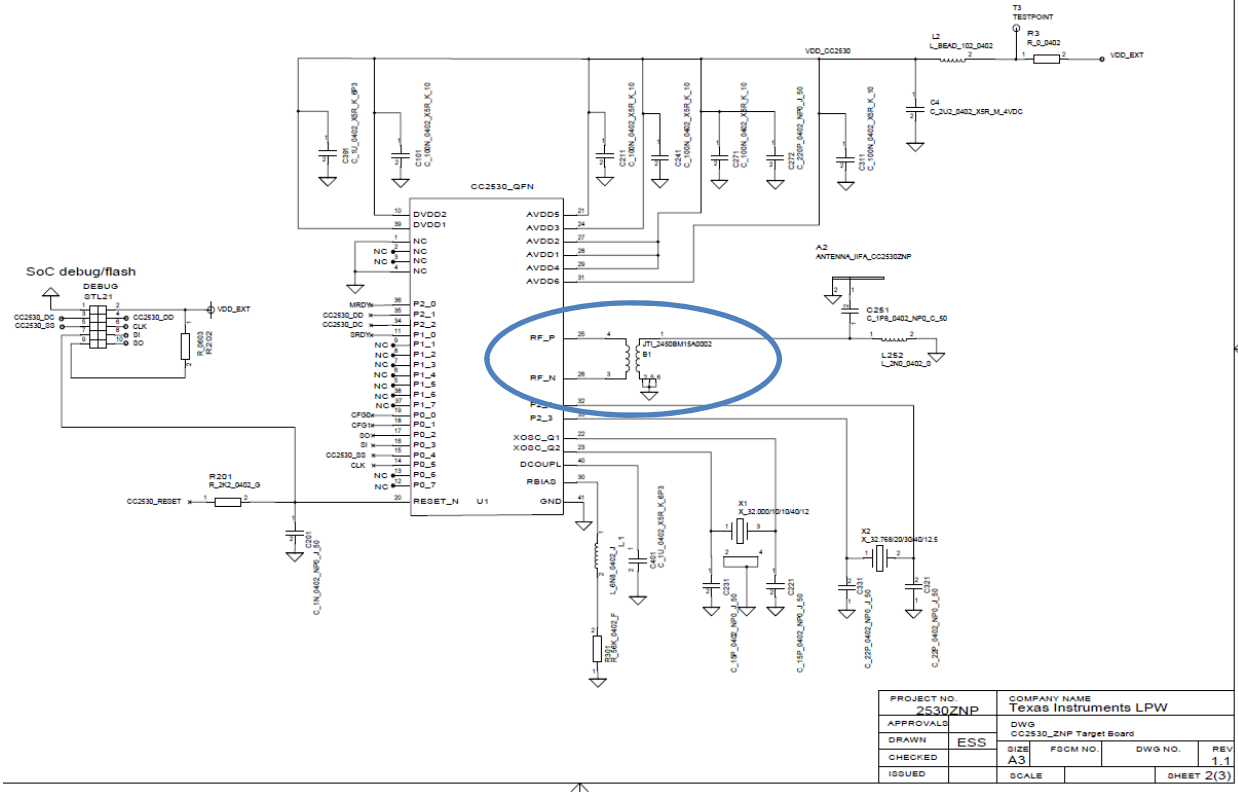
For more updated information from the Johanson Technology web site at:

<http://www.johansontechnology.com/en/integrated-passives/chipset-specific-ipc.html>



**Figure 4. Component Placement**

The component placement influences the RF performance. It is recommended that the reference PCB layout be copied as closely as possible. In particular, the designer should make note of all dimensions between the CC253X, CC254X, CC257X, CC853X, CC852X and 2450BM15A0002.



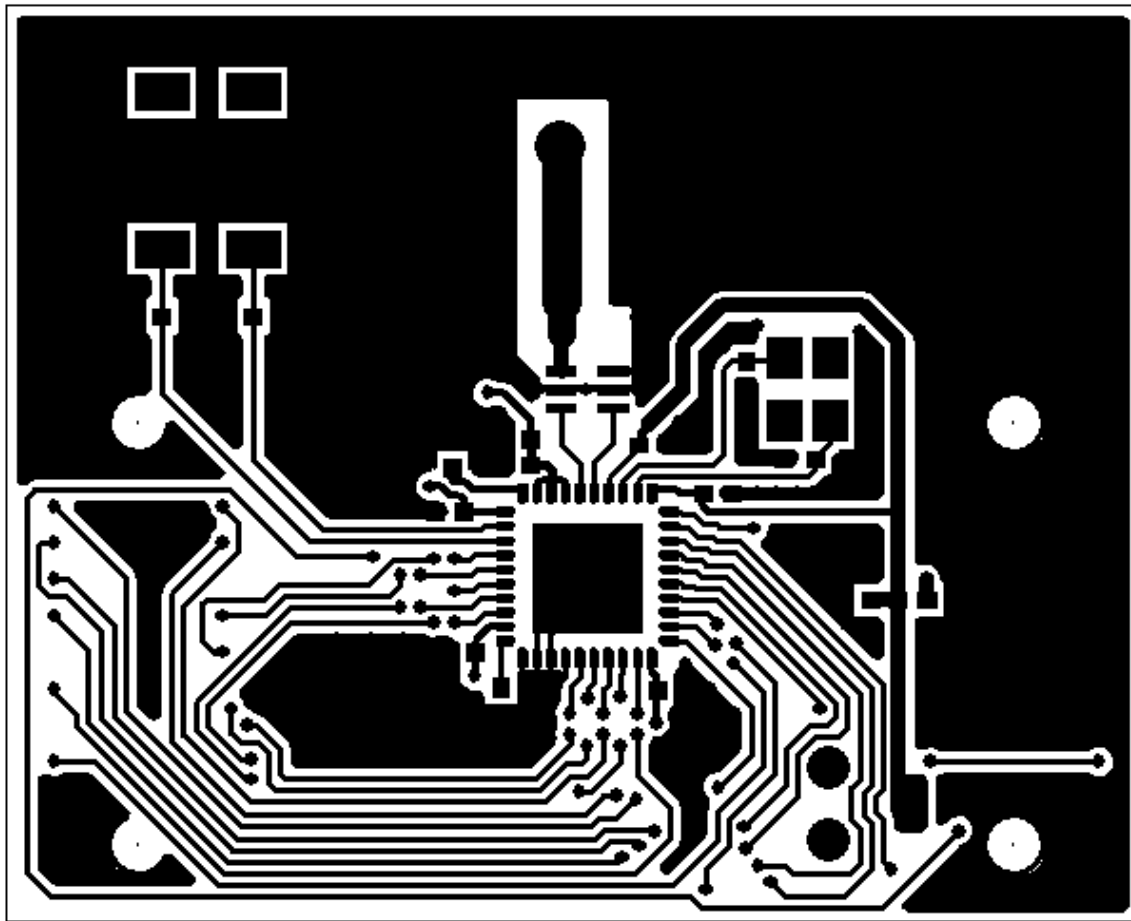
PROJECT NO.	2530ZNP			COMPANY NAME	Texas Instruments LPW	
APPROVALS				DWG	CC2530_ZNP Target Board	
DRAWN	ESS	SIZE	A3	FORM NO.	DWG NO.	REV
CHECKED		SCALE				1.1
ISSUED						2(3)

**Figure 5. Example of CC2530 JTI Reference Design Schematic (with 2450BM15A0002)**

### 3. Layout

Johanson's 2450BM15A0002 Matched Balun-LPF enables the designer to reduce the layout area due to component cutback (to one component); furthermore, PCB sensitivity is also decreased compared to the discrete (L/C) passive solution.

The layout greatly influences the RF performance. It is recommended to copy the reference design as closely as possible.



**Figure 6. Layer 1 of the CC2530 JTI Reference Design Layout (with 2450BM15A0002)**

In the event that the reference design can not be copied, then the routing from the RF pins RF\_P and RF\_N must be symmetrical to the matched balun component, U2. The length of the tracks should be kept to a minimum and preferably the same length and width that are used in the reference design. If this routing is not symmetrical, then the output power may be reduced and the harmonics may increase.

Go to: <http://www.ti.com/litv/zip/swra297a> to download the gerber files.

## 4. Measurement Results

All results presented in this chapter are based on measurements performed with CC2530EM JTI rev 1.0 Reference Design board with Johanson's 2450BM15A0002. All measurement results presented are the average of each batch tested from typical devices. The output power and harmonics measurements were performed with 0xF5 settings.

Johanson's 2450BM15A0002 Matched Balun-BPF offers improved 2nd and 3rd harmonic, it eases implementation, increases margin to FCC/ETSI compliance when compared to solution with discrete passives and provides unmatched temperature stability.

Note: all values are in dBm if not otherwise stated.

		Datasheet		Measured		
		CC2530EM discrete	10 passive components	CC2530EM w/2450BM15A0002	1 passive component	
		typ		typ	unit	
<b>Receiver sensitivity</b>	PER =1% as specified by [1]	-97		-96.6	dBm	
	[1] requires -85dBm				dBm	
<b>Output Power (0xF5)</b>	Delivered to a single ended 50Ω load through a balun using max recommended output setting (0xF5)	50		50	Ω	
	[1] requires minimum -3dBm	4.5		3.3	dBm	
<b>Spurious Emission</b>	25MHz-1000MHz (outside restricted bands)	-60		-64	dBm	
	25MHz-2400MHz (within FCC restricted bands)	-60		-64	dBm	
	25MHz-1000MHz (within ETSI restricted bands)	-60		-64	dBm	
	1800-1900MHz (ETSI restricted band)	-57		-64	dBm	
	5150-5300MHz (ETSI restricted band)	-55		-55	dBm	
	At 2xfc and 3xfc (FCC restricted band)	-42		-47.3	dBm	
	At 2xfc and 3xfc (ETSI EN 300-440 and EN300-328)	-31		-38.2	dBm	
	1GHz-12.75GHz (Outside restricted bands)	-53		-57.4	dBm	
	At 2483.5MHz and above (FCC restricted bands) fc=2480MHz	-42		-51.6	dBm	
<b>EVM</b>	Measured as defined by [1]					
	using maximum recommended output power setting [1] Requires maximum 35%	2		2	%	
<b>Current Consumption</b>	32MHz XOSC running, radio in RX mode, -50dBm input power No peripherals active, CPU idle	20.5		21.3	mA	
	32MHz XOSC running, radio in RX mode, -100dBm input power No peripherals active, CPU idle	24.3		24.6	mA	
	32MHz XOSC running, radio in Txmode, output power 0xD5 No peripherals active, CPU idle	28.7		29.1	mA	
	32MHz XOSC running, radio in Txmode, output power 0xF5 No peripherals active, CPU idle	33.5		33.3	mA	
	Other datasheet performance expected identical.					

All results presented in this chapter are based on measurements performed with CC2530EM JTI rev 1.0 Reference Design board with Johanson's 2450BM15A0002

## 5. References

[1] IEEE Std. 802.15.4-2006: Wireless Medium Access Control (MAC) and Physical Layer (PHY) Specification for Low-Rate Wireless Personal Area Network (LR-WPAN)  
<http://standards.ieee.org/getieee802/download/802.15.4-2006.pdf>

## 6. Appendix A

# High Frequency Ceramic Solutions

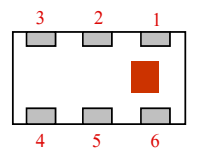
**2.45 GHz Impedance Matched Balun-Filter: For TI CC253X, CC254X, CC257X, CC853X and CC852X Chipset family** P/N 2450BM15A0002  
 Detail Specification: 10/25/2012 Page 1 of 2

General Specifications	
Part Number	2450BM15A0002
Frequency (MHz)	2400 - 2500
Unbalanced Impedance	50 Ω
Balanced Differential Impedance	Impedance match to T.I. CC253X, CC254X, CC257X, CC853X and CC852X Chipsets
Insertion Loss	1.5 dB max. (-40°C to +85°C)
Insertion Loss	1.7 dB max. (-40°C to +125°C)
Return Loss (-40°C to 125°C)	9.5 dB min.

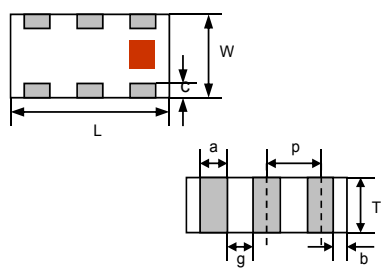
Differential Mode Attenuation (dB) -40°C to 125°C	12 min. @ 1GHz
	18 min. @ 4800~5000MHz
	20 min. @ 7200~7500MHz
Phase Diff. (-40°C to 125°C)	180° ± 15
Input Power	2W max.
Reel Quantity	4,000
Operating Temperature	-40°C to +125°C
Recommended Storage Conditions	+5 ~ +35 °C, Humidity 45~75%RH, 18 mos. max

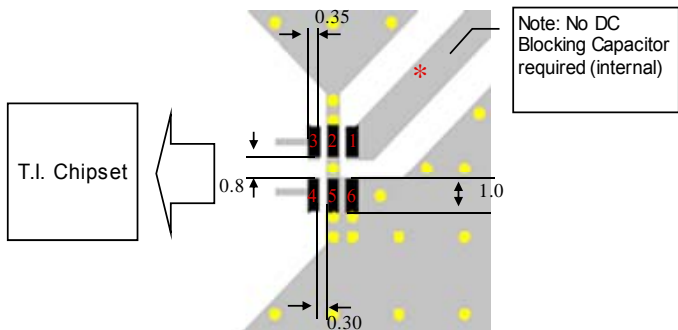
Part Number Explanation				
P/N	Packaging	Bulk	Suffix = S	Eg. 2450BM15A0002S
	Style	T & R	Suffix = E	Eg. 2450BM15A0002E
Suffix	Termination Style	100% Tin	Suffix = None	Eg. 2450BM15A0002(E or S)
	Evaluation Board	2450BM15A0002-EBSMA		

Terminal Configuration	
No.	Function
1	Unbalanced Port
2	GND
3	Balanced Port
4	Balanced Port
5	GND
6	GND



Mechanical Dimensions		
L	0.079 ± 0.004	2.00 ± 0.10
W	0.049 ± 0.004	1.25 ± 0.10
T	0.028 ± 0.004	0.70 ± 0.10
a	0.012 ± 0.004	0.30 ± 0.10
b	0.008 ± 0.004	0.20 ± 0.10
c	0.012 +0.004/-0.008	0.30 +0.1/-0.2
g	0.014 ± 0.004	0.35 ± 0.10
p	0.026 ± 0.002	0.65 ± 0.05



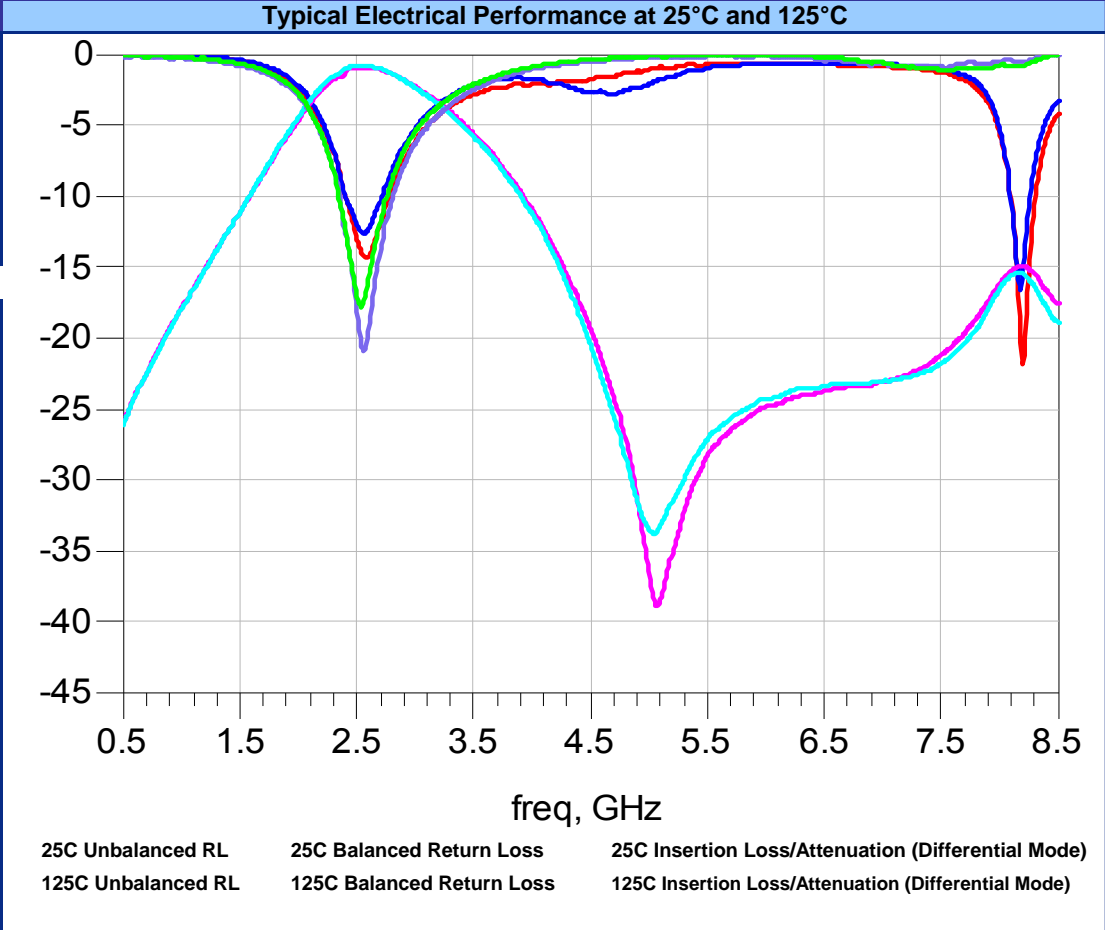
Mounting Considerations	
Mount these devices with brown mark facing up. Units: mm	
* Line width should be designed to provide 50 Ω impedance matching characteristics.	
<ul style="list-style-type: none"> <li><span style="display: inline-block; width: 15px; height: 10px; background-color: gray; margin-right: 5px;"></span> Solder Resist</li> <li><span style="display: inline-block; width: 15px; height: 10px; background-color: black; margin-right: 5px;"></span> Land</li> <li><span style="display: inline-block; width: 10px; height: 10px; border: 1px solid black; border-radius: 50%; margin-right: 5px;"></span> Through-hole (φ0.3)</li> </ul>	 <p style="font-size: small;">Note: No DC Blocking Capacitor required (internal)</p>

Johanson Technology, Inc. reserves the right to make design changes without notice.  
 All sales are subject to Johanson Technology, Inc. terms and conditions.

The latest specification can be downloaded from the following link:  
<http://www.johansontechnology.com/en/integrated-passives/chipset-specific-ipc/texas-instruments-ti.html>

# High Frequency Ceramic Solutions

**2.45 GHz Impedance Matched Balun-Filter: For TI CC253X, CC254X, CC257X, CC853X and CC852X Chipset family** P/N 2450BM15A0002  
 Detail Specification: ##### Page 2 of 2




**Technical notes and Reference Designs**

Technical Note:  
<http://www.johansontechnology.com/en/technical-notes/integrated-passives-rf-comp/2450bm15a0002-matched-balun-for-the-texas-instruments-cc2530-zigbee-transceiver.html>

Technical Note:  
<http://www.johansontechnology.com/en/integrated-passives/chipset-specific-baluns/texas-instruments-ti.html>

Reference Design:  
<http://www.ti.com/litv/pdf/swra297a>

Gerbers:  
<http://www.ti.com/litv/zip/swra297a>



This component is MSL 1 and fully RoHS compliant  
 The latest specification can be downloaded from the following link:  
<http://www.johansontechnology.com/en/integrated-passives/chipset-specific-ipc/texas-instruments-ti.html>



## 7. Revision History

Revision	Date	Description/Changes
2450BM15A0002 App Note for the CC253X_9	Jul-09	Initial Release
2450BM15A0002 App Note for the CC253X_10	Jun-10	-Page1: The CC253X chipset family -Page2: CC253X -Page6: Johanson's 2450BM15A0002 BPF-balun -Page7: Appendix A
2450BM15A0002 App Note for the CC253X_11	Oct-12	-Page1: Highly temperature-stable Impedance Matched RF Front End Differential Balun-Band Pass Filter Integrated Ceramic Component For the Texas Instruments' CC253X, CC254X, CC257X, CC853X and CC852X Family of Chipsets. Designed for use with the CC253X, CC254X, CC257X, CC853X and CC852X family of chipsets. Highly temperature stable ceramic is used to manufacture the 2450BM15A0002 which is optimum for temperature-varied applications such as lighting (rated 125C) or outdoor. -Page2: single-SMD component solution with a chip Balun-BPF. CC253X CC254X CC257X CC853X CC852X -Page7/8: Appendix A -Page9: Revision History

## IMPORTANT NOTICE

Texas Instruments Incorporated and its subsidiaries (TI) reserve the right to make corrections, enhancements, improvements and other changes to its semiconductor products and services per JESD46, latest issue, and to discontinue any product or service per JESD48, latest issue. Buyers should obtain the latest relevant information before placing orders and should verify that such information is current and complete. All semiconductor products (also referred to herein as "components") are sold subject to TI's terms and conditions of sale supplied at the time of order acknowledgment.

TI warrants performance of its components to the specifications applicable at the time of sale, in accordance with the warranty in TI's terms and conditions of sale of semiconductor products. Testing and other quality control techniques are used to the extent TI deems necessary to support this warranty. Except where mandated by applicable law, testing of all parameters of each component is not necessarily performed.

TI assumes no liability for applications assistance or the design of Buyers' products. Buyers are responsible for their products and applications using TI components. To minimize the risks associated with Buyers' products and applications, Buyers should provide adequate design and operating safeguards.

TI does not warrant or represent that any license, either express or implied, is granted under any patent right, copyright, mask work right, or other intellectual property right relating to any combination, machine, or process in which TI components or services are used. Information published by TI regarding third-party products or services does not constitute a license to use such products or services or a warranty or endorsement thereof. Use of such information may require a license from a third party under the patents or other intellectual property of the third party, or a license from TI under the patents or other intellectual property of TI.

Reproduction of significant portions of TI information in TI data books or data sheets is permissible only if reproduction is without alteration and is accompanied by all associated warranties, conditions, limitations, and notices. TI is not responsible or liable for such altered documentation. Information of third parties may be subject to additional restrictions.

Resale of TI components or services with statements different from or beyond the parameters stated by TI for that component or service voids all express and any implied warranties for the associated TI component or service and is an unfair and deceptive business practice. TI is not responsible or liable for any such statements.

Buyer acknowledges and agrees that it is solely responsible for compliance with all legal, regulatory and safety-related requirements concerning its products, and any use of TI components in its applications, notwithstanding any applications-related information or support that may be provided by TI. Buyer represents and agrees that it has all the necessary expertise to create and implement safeguards which anticipate dangerous consequences of failures, monitor failures and their consequences, lessen the likelihood of failures that might cause harm and take appropriate remedial actions. Buyer will fully indemnify TI and its representatives against any damages arising out of the use of any TI components in safety-critical applications.

In some cases, TI components may be promoted specifically to facilitate safety-related applications. With such components, TI's goal is to help enable customers to design and create their own end-product solutions that meet applicable functional safety standards and requirements. Nonetheless, such components are subject to these terms.

No TI components are authorized for use in FDA Class III (or similar life-critical medical equipment) unless authorized officers of the parties have executed a special agreement specifically governing such use.

Only those TI components which TI has specifically designated as military grade or "enhanced plastic" are designed and intended for use in military/aerospace applications or environments. Buyer acknowledges and agrees that any military or aerospace use of TI components which have **not** been so designated is solely at the Buyer's risk, and that Buyer is solely responsible for compliance with all legal and regulatory requirements in connection with such use.

TI has specifically designated certain components which meet ISO/TS16949 requirements, mainly for automotive use. Components which have not been so designated are neither designed nor intended for automotive use; and TI will not be responsible for any failure of such components to meet such requirements.

### Products

Audio	<a href="http://www.ti.com/audio">www.ti.com/audio</a>
Amplifiers	<a href="http://amplifier.ti.com">amplifier.ti.com</a>
Data Converters	<a href="http://dataconverter.ti.com">dataconverter.ti.com</a>
DLP® Products	<a href="http://www.dlp.com">www.dlp.com</a>
DSP	<a href="http://dsp.ti.com">dsp.ti.com</a>
Clocks and Timers	<a href="http://www.ti.com/clocks">www.ti.com/clocks</a>
Interface	<a href="http://interface.ti.com">interface.ti.com</a>
Logic	<a href="http://logic.ti.com">logic.ti.com</a>
Power Mgmt	<a href="http://power.ti.com">power.ti.com</a>
Microcontrollers	<a href="http://microcontroller.ti.com">microcontroller.ti.com</a>
RFID	<a href="http://www.ti-rfid.com">www.ti-rfid.com</a>
OMAP Applications Processors	<a href="http://www.ti.com/omap">www.ti.com/omap</a>
Wireless Connectivity	<a href="http://www.ti.com/wirelessconnectivity">www.ti.com/wirelessconnectivity</a>

### Applications

Automotive and Transportation	<a href="http://www.ti.com/automotive">www.ti.com/automotive</a>
Communications and Telecom	<a href="http://www.ti.com/communications">www.ti.com/communications</a>
Computers and Peripherals	<a href="http://www.ti.com/computers">www.ti.com/computers</a>
Consumer Electronics	<a href="http://www.ti.com/consumer-apps">www.ti.com/consumer-apps</a>
Energy and Lighting	<a href="http://www.ti.com/energy">www.ti.com/energy</a>
Industrial	<a href="http://www.ti.com/industrial">www.ti.com/industrial</a>
Medical	<a href="http://www.ti.com/medical">www.ti.com/medical</a>
Security	<a href="http://www.ti.com/security">www.ti.com/security</a>
Space, Avionics and Defense	<a href="http://www.ti.com/space-avionics-defense">www.ti.com/space-avionics-defense</a>
Video and Imaging	<a href="http://www.ti.com/video">www.ti.com/video</a>

### TI E2E Community

[e2e.ti.com](http://e2e.ti.com)