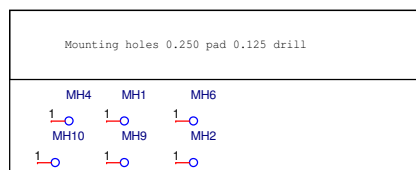
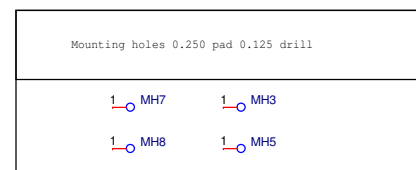


REV	DESCRIPTION	DATE	APPROVED
A	INITIAL RELEASE	09/16/2016	JAC
B	UPDATE TO SUPPORT OLDER EVMS	05/01/2017	JAC

TO BEZEL



TO J5/J6 EVM

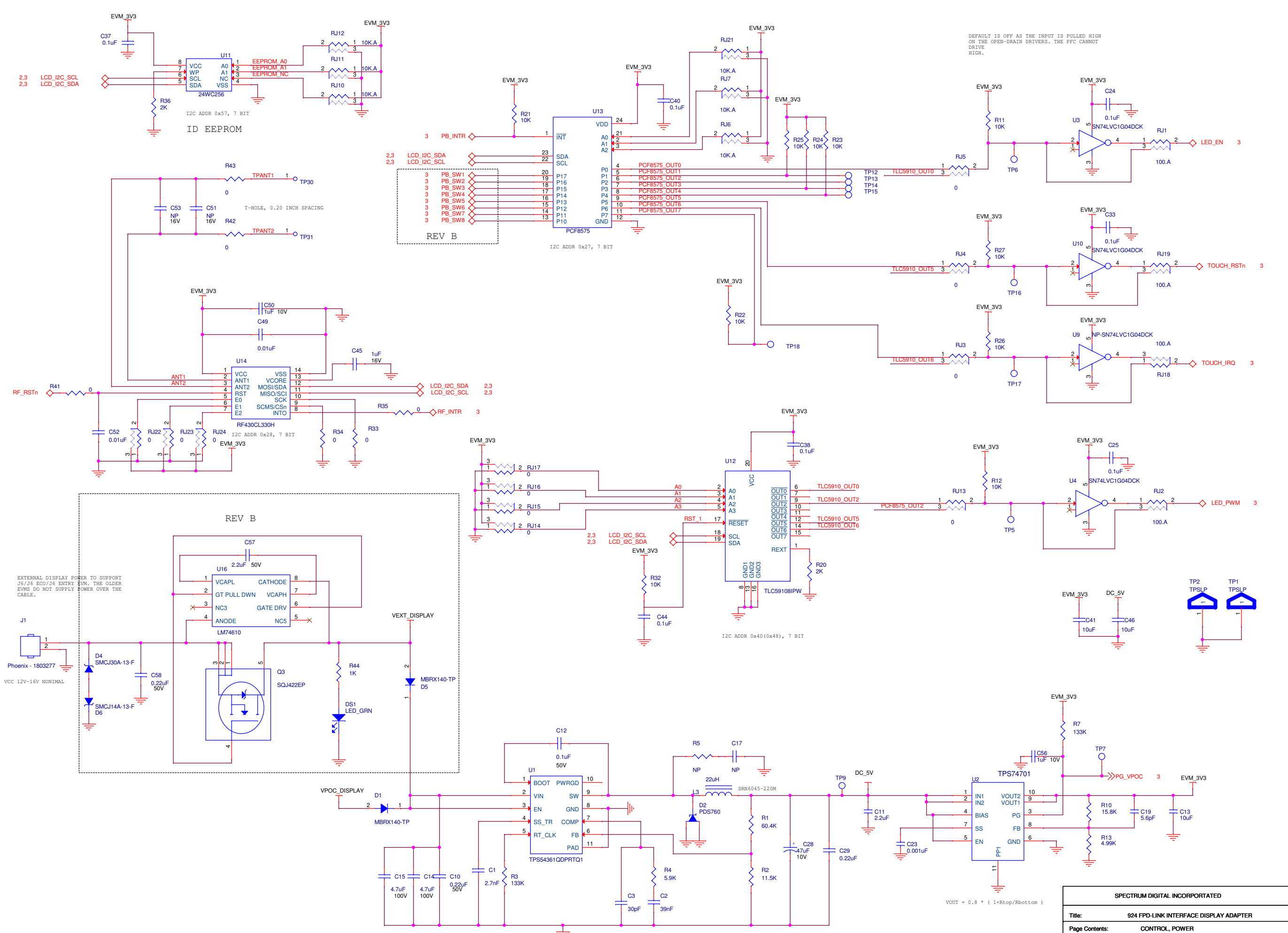


REVISION STATUS OF SHEETS

REV	SH	REV	SH	REV	SH	REV	SH	REV	SH	REV	SH	REV	SH	REV	SH	REV	SH	REV	SH	REV	SH	

REV	DATE	BY	DESCRIPTION	DATE	BY	DESCRIPTION	DATE	BY	DESCRIPTION	DATE	BY	DESCRIPTION	DATE	BY	DESCRIPTION	DATE	BY	DESCRIPTION	DATE	BY	DESCRIPTION
	02/29/2016	J.A.C	DWN	02/29/2016	J.A.C	ENGR	02/29/2016	J.A.C	ENGR-MGR	02/29/2016	J.A.C	DR	02/29/2016	C.M.D.	MFG	02/29/2016	J.A.C	RLSE	02/29/2016	J.A.C	

SPECTRUM DIGITAL INCORPORATED			
Title: 924 FPD-LINK INTERFACE DISPLAY ADAPTER			
Page Contents: Title Page			
Size: C	DWG NO	518402	Revision: B
Date: Wednesday, May 03, 2017		Sheet 1 of 4	



DEFAULT IS OFF AS THE INPUT IS PULLED HIGH ON THE OPEN-DRAIN DRIVERS. THE PFC CANNOT DRIVE HIGH.

EXTERNAL DISPLAY POWER TO SUPPORT J6/J6 ECO/J6 ENTRY EVM. THE OLDER EVMS DO NOT SUPPLY POWER OVER THE CABLE.

$$V_{OUT} = 0.8 * (1 + R_{top}/R_{bottom})$$

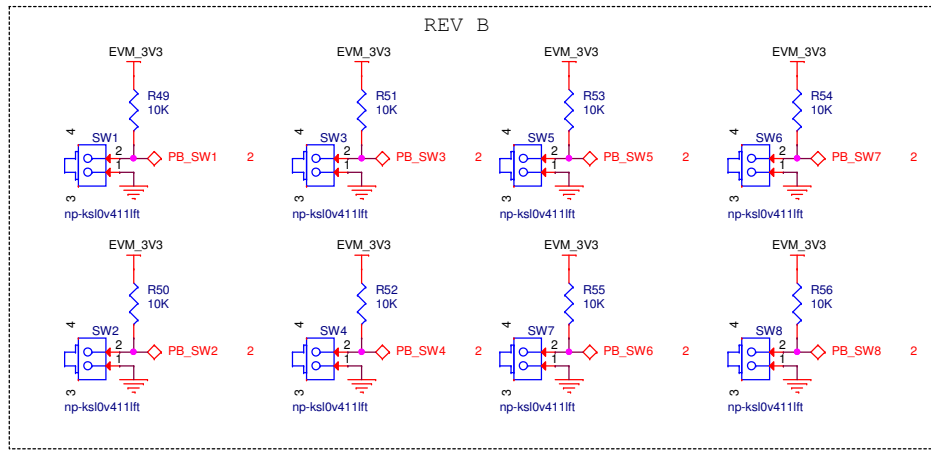
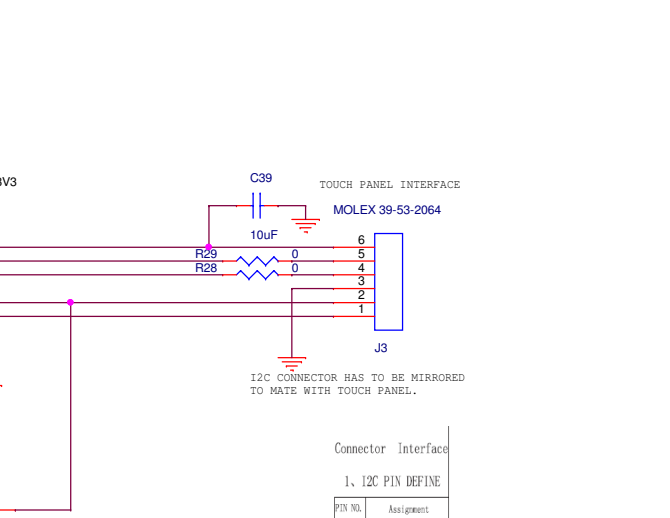
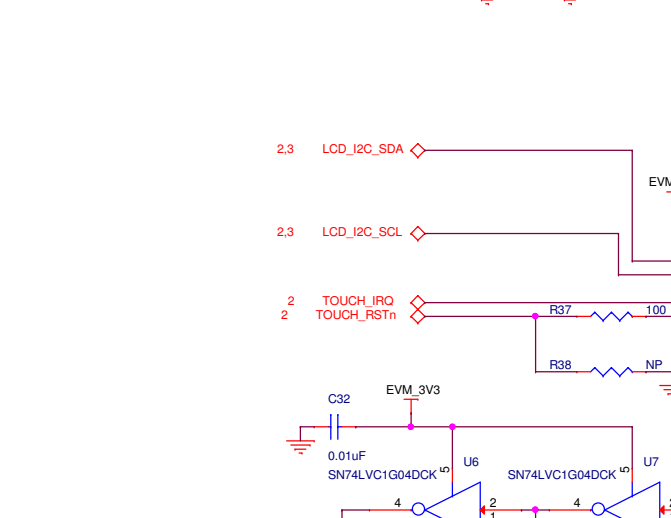
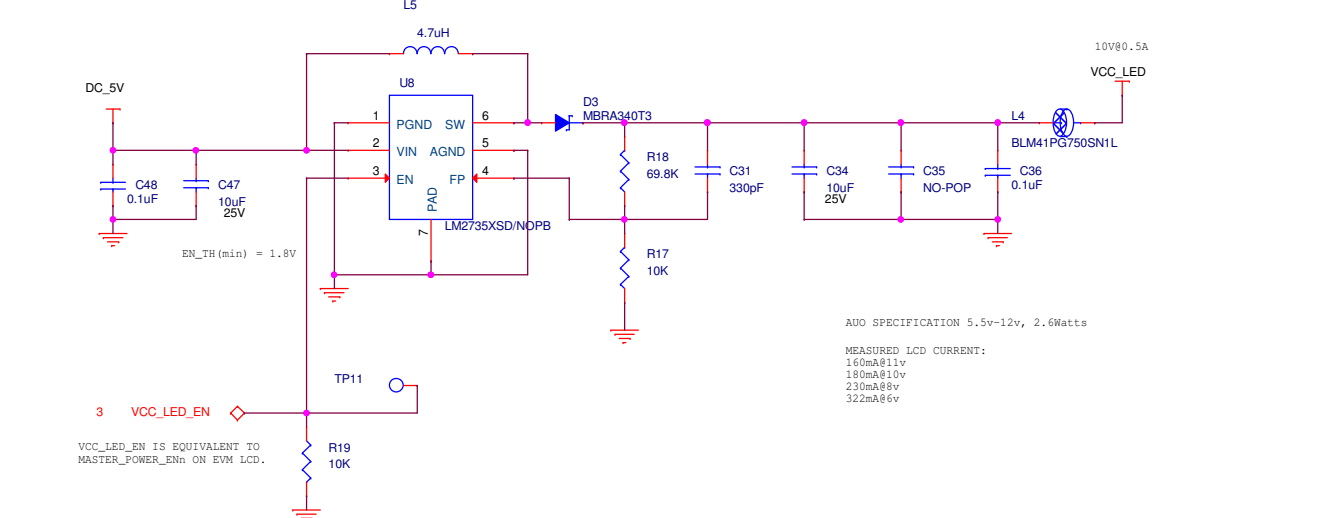
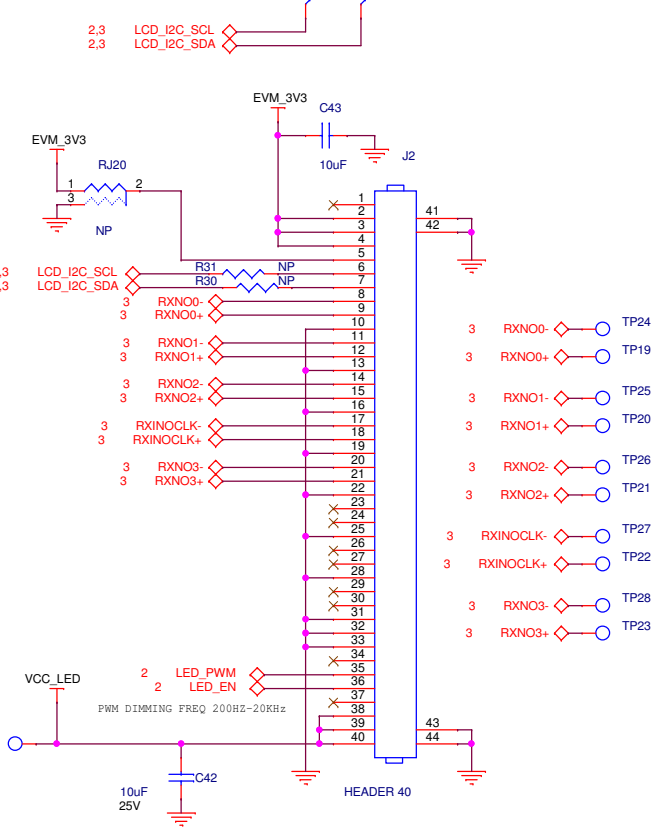
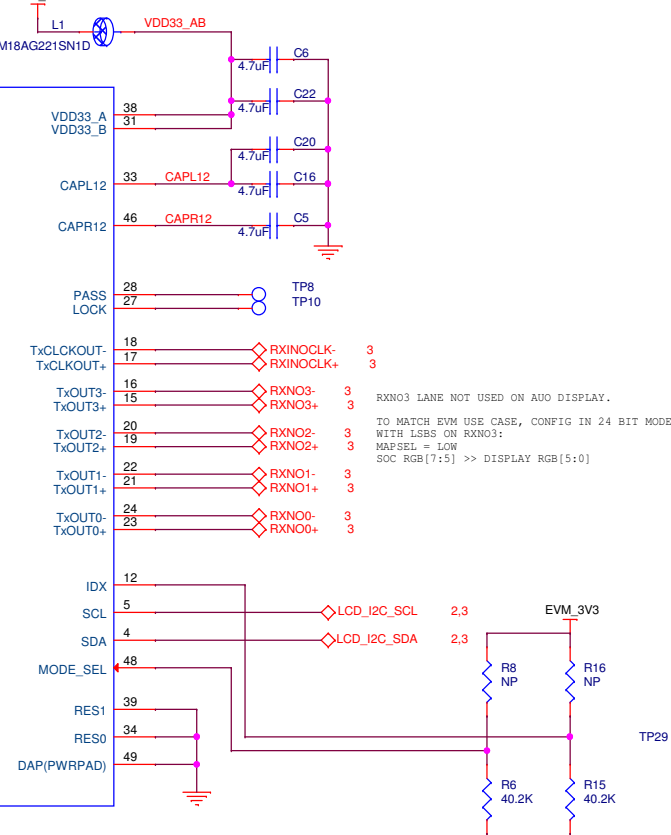
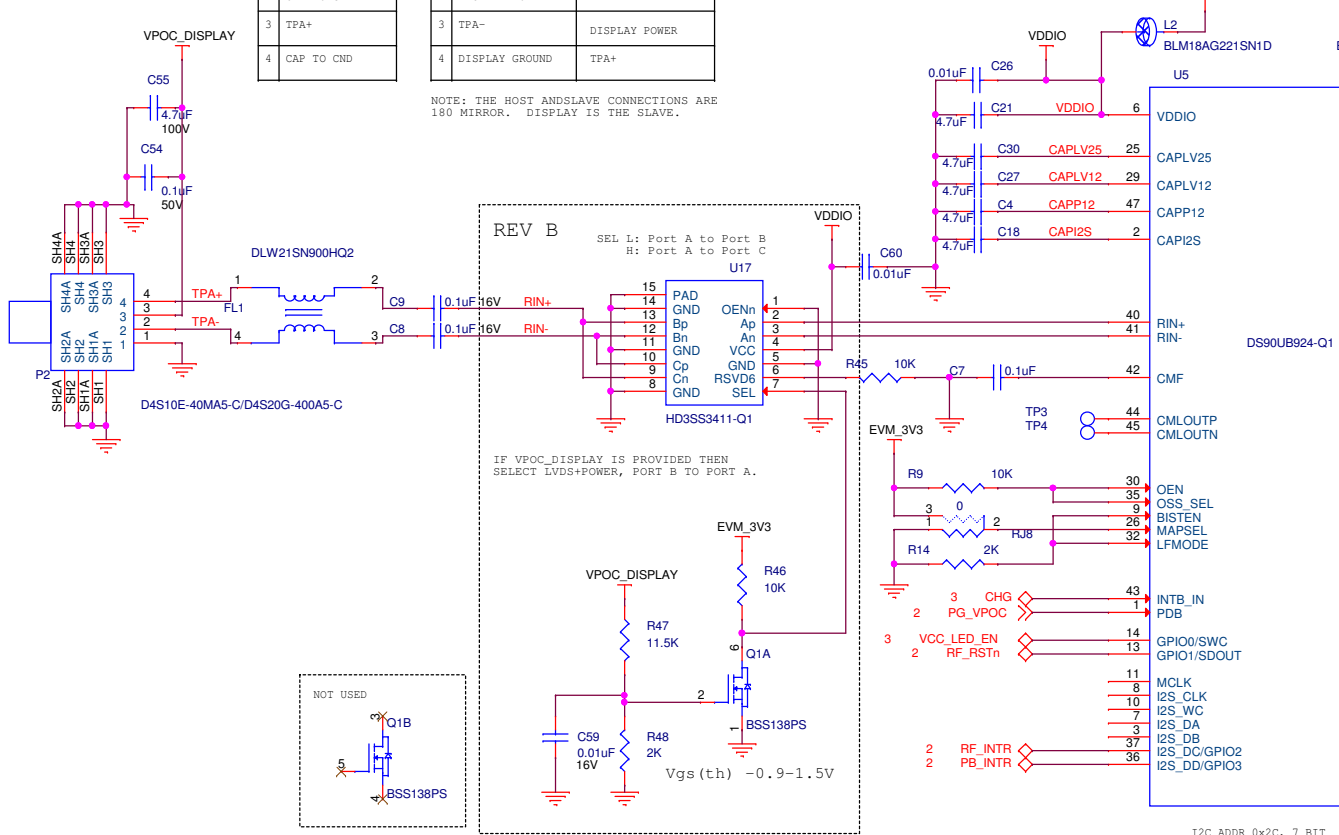
SPECTRUM DIGITAL INCORPORATED			
Title: 924 FPD-LINK INTERFACE DISPLAY ADAPTER			
Page Contents: CONTROL, POWER			
Size: C	DWG NO	518402	Revision: B
Date: Wednesday, May 03, 2017		Sheet 2 of 4	

J6 (VAYU) EVM
 J6 ECO EVM
 J6 ENTRY EVM
 TDA3X EVM
 NO - POWER

ECU HOST		ECU SLAVE (DISPLAY)	
1	TPA-	1	TPA+
2	CAP TO GND	2	DISPLAY POWER
3	TPA+	3	DISPLAY POWER
4	CAP TO GND	4	DISPLAY GROUND

J6 ENTRY INFOTAINMENT REF EVM, 16V POWER
 J6+ EVM 12V POWER

NOTE: THE HOST AND SLAVE CONNECTIONS ARE 180 MIRROR. DISPLAY IS THE SLAVE.



	I2C1	I2C2	I2C Display
Display DS90UB924-Q1	0x2C		0x2C
Display PCF8575	Slave Device Alias ID(tbd)		0x27
Display TLC59108IPW	Slave Device Alias ID(tbd)		0x40
Display TLC59108IPW ALL CALL	Slave Device Alias ID(tbd)		0x48
Display EEPROM	Slave Device Alias ID(tbd)		0x57
Display Touch Controller	Slave Device Alias ID(tbd)		0x14
RF430CL330H	Slave Device Alias ID(tbd)		0x28

Connector Interface

1, I2C PIN DEFINE

PIN NO.	Assignment
1	VCC
2	SDA
3	SCL
4	GND
5	INT
6	RST

SPECTRUM DIGITAL INCORPORATED

Title: 924 FPD-LINK INTERFACE DISPLAY ADAPTER

Page Contents: LVDS DRIVER, DISPLAY CON

Size: C	DWG NO 518402	Revision: B
Date: Wednesday, May 03, 2017	Sheet 3 of 4	

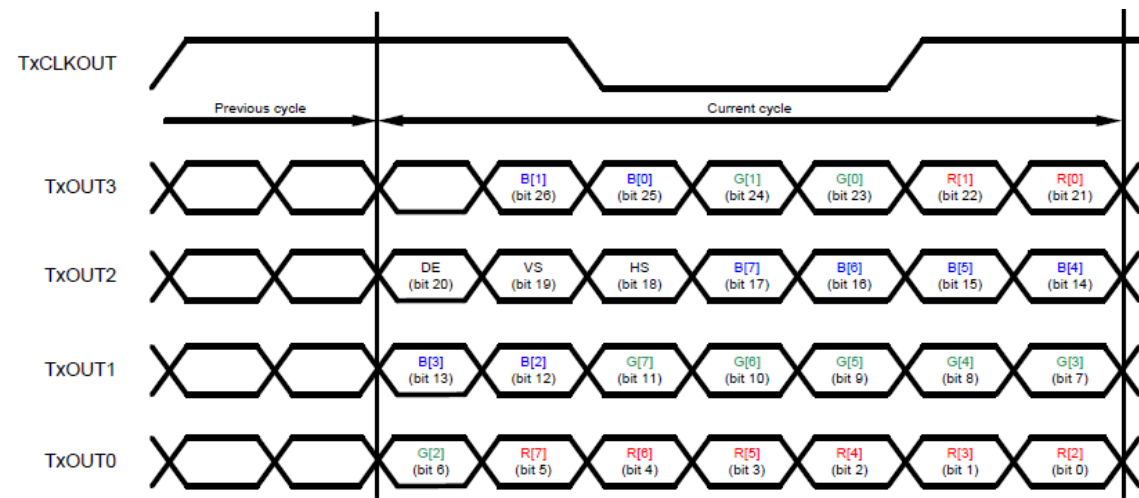


Figure 24. 24-bit Color FPD-Link (OpenLDI) Mapping: LSBs on TxOUT3 (MAPSEL=L)

6.4 The Input Data Format

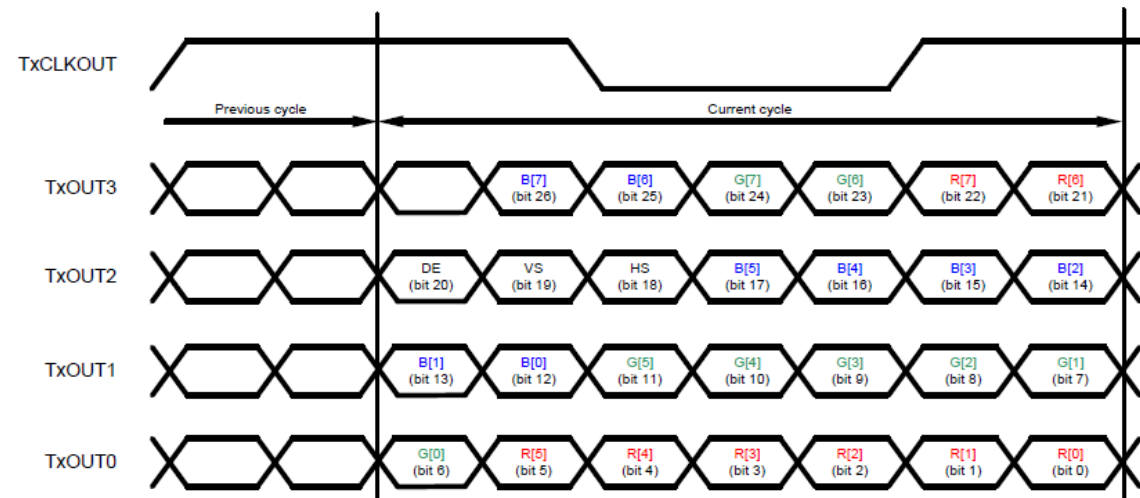
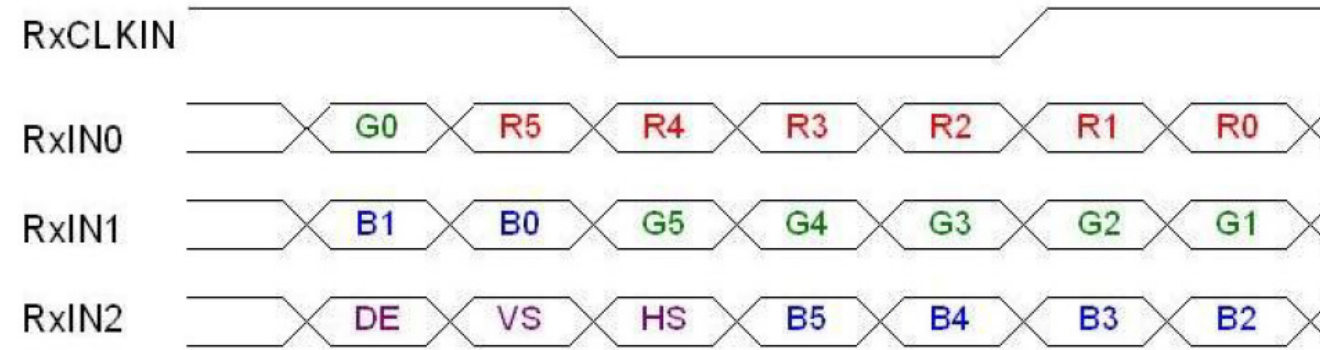


Figure 25. 24-bit Color FPD-Link (OpenLDI) Mapping: MSBs on TxOUT3 (MAPSEL=H)

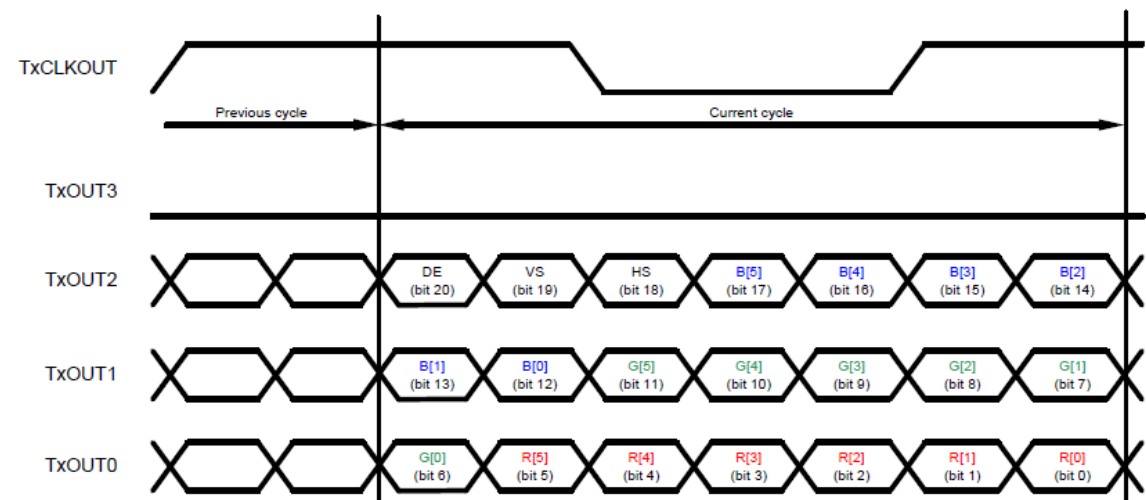


Figure 26. 18-bit Color FPD-Link (OpenLDI) Mapping (MAPSEL = L)

IMPORTANT NOTICE AND DISCLAIMER

TI PROVIDES TECHNICAL AND RELIABILITY DATA (INCLUDING DATASHEETS), DESIGN RESOURCES (INCLUDING REFERENCE DESIGNS), APPLICATION OR OTHER DESIGN ADVICE, WEB TOOLS, SAFETY INFORMATION, AND OTHER RESOURCES "AS IS" AND WITH ALL FAULTS, AND DISCLAIMS ALL WARRANTIES, EXPRESS AND IMPLIED, INCLUDING WITHOUT LIMITATION ANY IMPLIED WARRANTIES OF MERCHANTABILITY, FITNESS FOR A PARTICULAR PURPOSE OR NON-INFRINGEMENT OF THIRD PARTY INTELLECTUAL PROPERTY RIGHTS.

These resources are intended for skilled developers designing with TI products. You are solely responsible for (1) selecting the appropriate TI products for your application, (2) designing, validating and testing your application, and (3) ensuring your application meets applicable standards, and any other safety, security, or other requirements. These resources are subject to change without notice. TI grants you permission to use these resources only for development of an application that uses the TI products described in the resource. Other reproduction and display of these resources is prohibited. No license is granted to any other TI intellectual property right or to any third party intellectual property right. TI disclaims responsibility for, and you will fully indemnify TI and its representatives against, any claims, damages, costs, losses, and liabilities arising out of your use of these resources.

TI's products are provided subject to TI's Terms of Sale (www.ti.com/legal/termsofsale.html) or other applicable terms available either on ti.com or provided in conjunction with such TI products. TI's provision of these resources does not expand or otherwise alter TI's applicable warranties or warranty disclaimers for TI products.

Mailing Address: Texas Instruments, Post Office Box 655303, Dallas, Texas 75265
Copyright © 2019, Texas Instruments Incorporated