

EVM User's Guide: LMR60460QEVMM

LMR60460-Q1 Evaluation Module



Description

The LMR60460-Q1 is a 36V, 6A, DC/DC buck converter that features synchronous rectification to achieve high conversion efficiency in a small footprint. The EVM operates over a wide input voltage range of 6V to 36V to provide a regulated 5.0V output up to 6A load at 400kHz switching frequency. The LMR60460QEVMM can support output voltage regulation accuracy better than 1% and the output voltage setpoint is adjustable using an external resistor divider.

Get Started

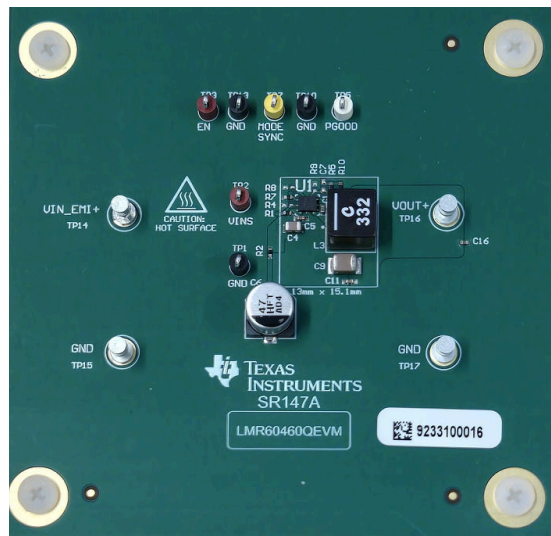
1. Prepare the bench setup per the EVM user's guide instructions.
2. Power up the EVM by following the recommended steps.
3. Run tests and measurements. Beware of possible high component temperatures.

Features

- Input voltage range: 6V to 36V
- Output voltage: 5.0V
- Load current: 0 to 6A
- Switching frequency: 400kHz
- Adjustable output voltage
- External synchronization capability
- Internal spread spectrum capability
- Selectable pulse-frequency modulation or forced pulse-width modulation at light load
- Supports other variants of the IC by replacing some components

Applications

- [Advanced driver assistance systems \(ADAS\)](#)
- [Body electronics and lighting](#)
- [Infotainment and cluster](#)



LMR60460QEVMM

1 Evaluation Module Overview

1.1 Introduction

The Texas Instruments LMR60460QEVM evaluation module helps designers evaluate the operation and performance of the LMR604x0-Q1 wide-input buck converters. The LMR60460-Q1 is an easy-to-use, synchronous, step-down DC/DC converter capable of delivering up to 6A of load current from an input voltage of 6V up to 36V. The LMR60460QEVM features an output voltage of 5.0V and a switching frequency of 400kHz that can support a load up to 6A.

The LMR60460-Q1 is available in a 9-pin VBC WQFN package with preprogrammed settings to reduce component count and achieve high density designs. The LMR60460QEVM comes with the variant LMR604605SVBCRQ1, which allows for adjustable output voltage, adjustable switching frequency, external synchronization, and spread spectrum options. See the [LMR60460-Q1 3V to 36V, 6A, Automotive, Synchronous, Buck Converter Optimized for High Power Density, Low EMI, and Low Output Capacitance data sheet](#) for detailed information. The EVM uses the LMR60460 with the following features:

- Wide input voltage range
- Wide duty-cycle range
- Integrated high-side and low-side power MOSFETs
- Cycle-by-cycle overcurrent protection
- Internal loop compensation
- Designed for low electromagnetic interference (EMI) requirements

1.2 Kit Contents

The package includes:

1. LMR60460-Q1 evaluation module (LMR60460QEVM) that includes the LMR604605SVBCRQ1
2. EVM Disclaimer Read Me

1.3 Specification

The following table lists performance characteristics for the LMR60460QEVM.

Unless otherwise stated: $V_{IN} = 12V$, $V_{OUT} = 5V$, $T_A = 25^{\circ}C$.

Table 1-1. LM65460EVM Electrical Performance Characteristics

PARAMETER	TEST CONDITIONS		MIN	TYP	MAX	UNITS
INPUT CHARACTERISTICS						
Input voltage range, V_{VIN}	EVM input voltage operating range		6	12	36	V
Input current, no load, $I_{IN(NL)}$	$I_{OUT} = 0A$	auto mode		5.6		μA
Input current, disabled, $I_{IN(OFF)}$	$V_{EN/UVLO} = 0V$, no EN divider	$V_{IN} = 12V$		0.76		μA
OUTPUT CHARACTERISTICS						
Output voltage, V_O	$I_{OUT} = 0A$, auto mode			5.02		V
	$I_{OUT} = 6A$			4.98		V
Output voltage regulation, ΔV_{OUT}	Load regulation, auto mode	$I_{OUT} = 0A$ to 6A		40		mV
Output voltage regulation, ΔV_{OUT}	Load regulation, FPWM mode	$I_{OUT} = 0A$ to 6A		6		
Output voltage regulation, ΔV_{OUT}	Line regulation, $V_{IN} = 6V$ to 36V	$I_{OUT} = 6A$		2		
Maximum output current	$V_{IN} = 12V$			8		A
SYSTEM CHARACTERISTICS						
Switching frequency	$I_{OUT1} = 6A$			400		kHz
Peak efficiency	$I_{OUT} = 2.6A$	$V_{IN} = 12V$		95.68		%
Full load efficiency	$I_{OUT} = 6A$	$V_{IN} = 12V$		93.7		%

1.4 Device Information

The LMR60460-Q1 is an easy-to-use, synchronous, step-down DC/DC converter capable of delivering up to 6A of load current from an input voltage of 6V up to 36V. The LMR60460QEVM features an output voltage of 5.0V and a switching frequency of 400kHz that can support a load up to 6A.

Table 1-2. Device and Package Configurations

EVM	U1	FREQUENCY	SPREAD SPECTRUM	CURRENT	PIN 1 TRIM
LMR60460QEVM	LMR604605SVBCRQ1	400kHz	Enabled	6A	Adjustable output voltage and MODE select

2 Hardware

2.1 EVM Setup

This section describes the test points and connectors on the EVM and how to properly connect, set up, and use the LMR60460QEVM.

The EVM uses the LMR60460-Q1 converter, which includes MODE/SYNC capability. This statement means that the device can operate in pulse frequency modulation (PFM) light-load mode when this pin is tied to GND. TI has observed additional output voltage ripple at input voltages close to the output voltage when the device is operating in PFM light-load mode. To see improved performance, TI recommends to configure the EVM to operate in forced pulse width modulation (FPWM) mode. To access the FPWM light-load operating mode, depopulate resistor R8 and populate resistor R6.

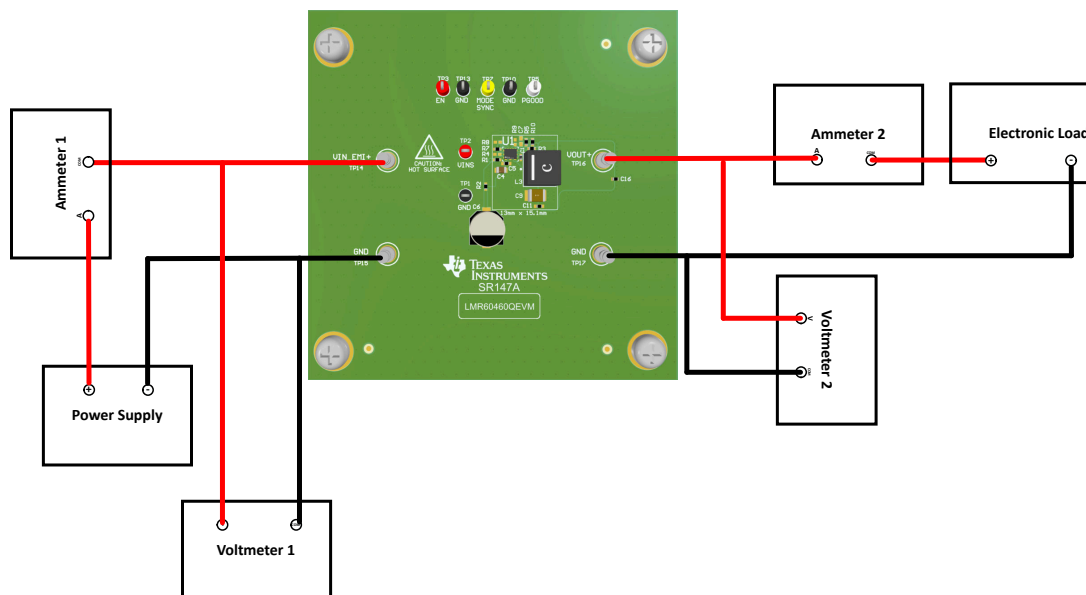


Figure 2-1. EVM Board Connections

The test setup consists of the following instruments in addition to the EVM board.

- **Power supply:** the input DC voltage source must be capable of supplying 36V and 4A.
- **Load:** the load must be an electronic, constant-current (CC) or constant-resistance (CR) mode load, capable of supporting 6A of load current at 5.0V. Disconnect the electronic load when performing no-load input current tests.
- **Multimeters:**
 - **Voltmeter 1:** measures input voltage at VIN+ (TP14) and VIN– (TP15)
 - **Voltmeter 2:** measures output voltage at VOUT (TP16) and VOUT– (TP17)
 - **Ammeter 1:** measures input current.
 - **Ammeter 2:** measures output current.
- **Oscilloscope:** with the scope set to 20MHz bandwidth and AC coupling, measure the output voltage ripple directly across an output capacitor with a short ground lead. Place the oscilloscope probe tip on the positive terminal of the output capacitor, and the ground lead on the negative terminal of the output capacitor. TI does not recommend using a long-leaded ground connection because the connection can induce additional noise due to a large ground loop. To measure other waveforms, adjust the oscilloscope as necessary.

2.1.1 Quick Start

1. Connect the voltage supply between the VIN+ and VIN- test points.
2. Connect the load between the VOUT and GND test points.
3. Set the supply voltage at an appropriate level between 6V to 36V. Set the current limit of the supply to an appropriate level.
4. Turn on the power supply. With the default configuration, the EVM powers up and provides $V_{OUT} = 5.0V$.
5. Monitor the output voltage. The load current must be 6A or less with the LMR60460-Q1 device.

2.1.2 Test Points

The test points on the top of the board are used for connecting to the input and output of the EVM. See the following table for a description of the test points.

Table 2-1. EVM Test Points

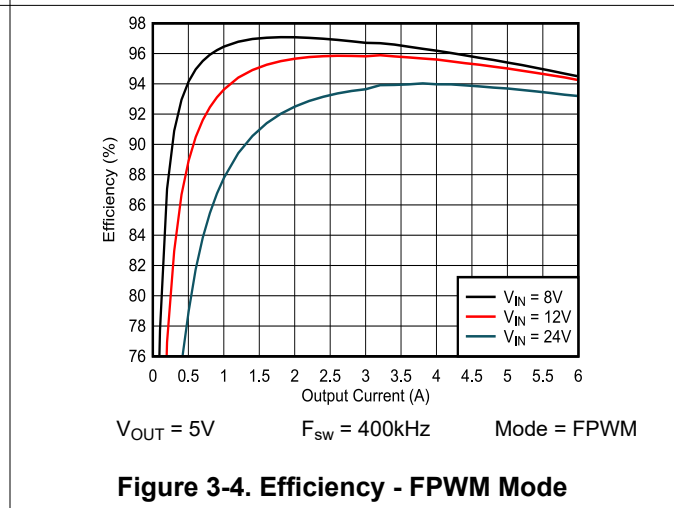
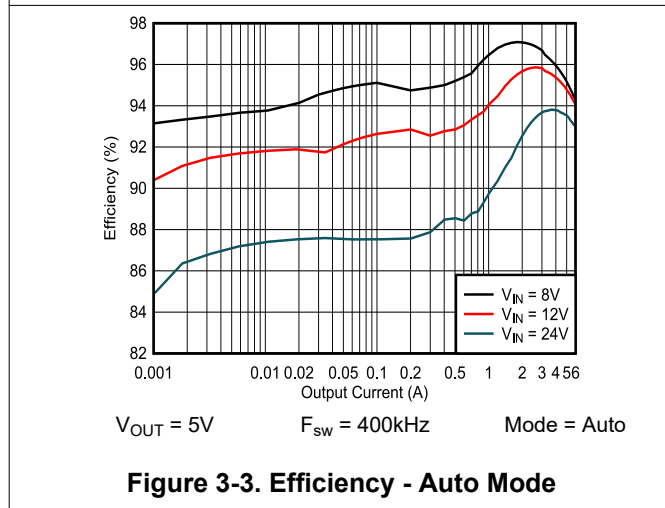
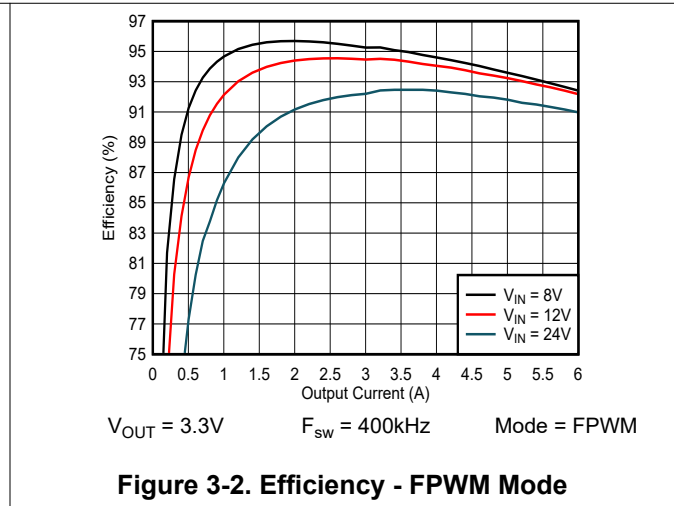
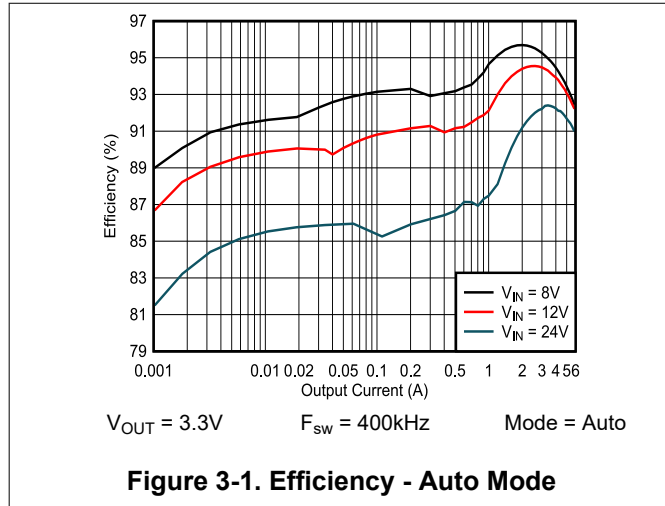
TEST POINT	SIGNAL	DESCRIPTION
TP14	VIN_EMI+	Input supply to EVM including an EMI filter. Connect to a good input supply. Connect at this point for conducted EMI test.
TP15	GND	Ground connection for the input supply
TP3	EN	This test point is connected to the EN pin from the IC.
TP5	PGOOD	This test point is connected to the PGOOD pin from the IC. The test point is an open-drain output of the PGOOD pin. Using the resistor R3, the PGOOD pin can be tied to VOUT through a pullup resistor or left open.
TP7	MODE/SYNC	This test point is connected to the MODE/SYNC pin from the IC. This test point is connected to GND through R8
TP10, TP13	GND	This test point is connected to GND.
TP16	VOUT+	Output voltage to EVM.
TP17	GND	Ground connection for load.

3 Implementation Results

3.1 Performance Data and Results

Actual performance data can be affected by measurement techniques and environmental variables. These curves are presented for reference and can differ from actual field measurements. Unless otherwise stated, $V_{in} = 12.0V$, $V_{out} = 5.0V$, and $F_{sw} = 400kHz$.

3.1.1 Application Curves



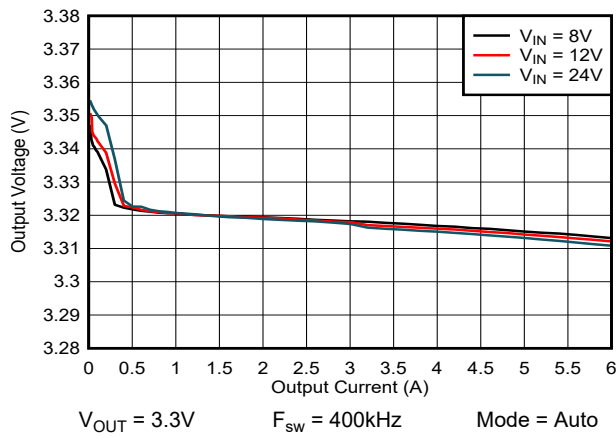


Figure 3-5. Load and Line Regulation - Auto Mode

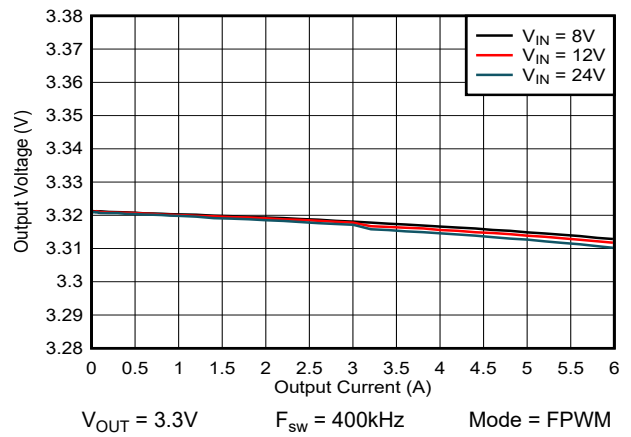


Figure 3-6. Load and Line Regulation - FPWM Mode

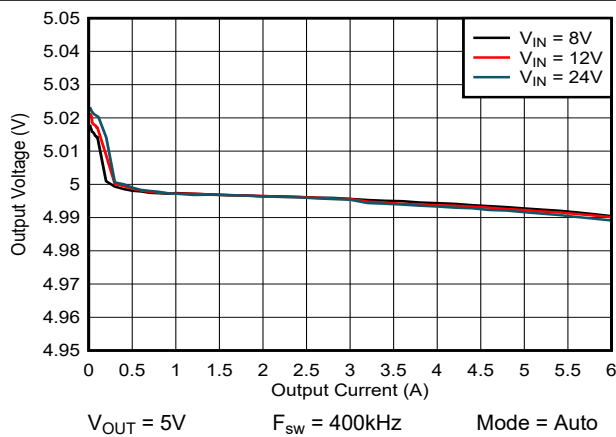


Figure 3-7. Load and Line Regulation - Auto Mode

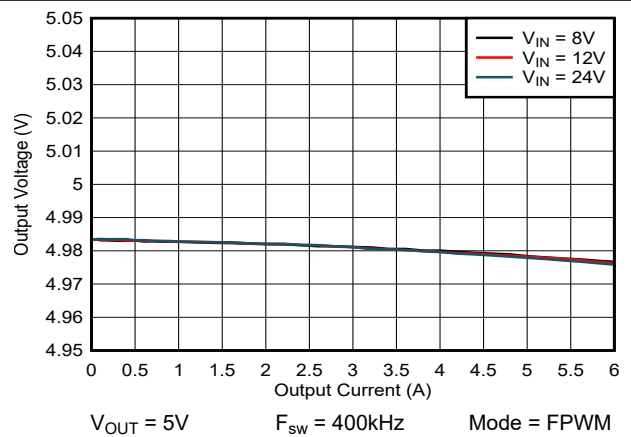


Figure 3-8. Load and Line Regulation - FPWM Mode

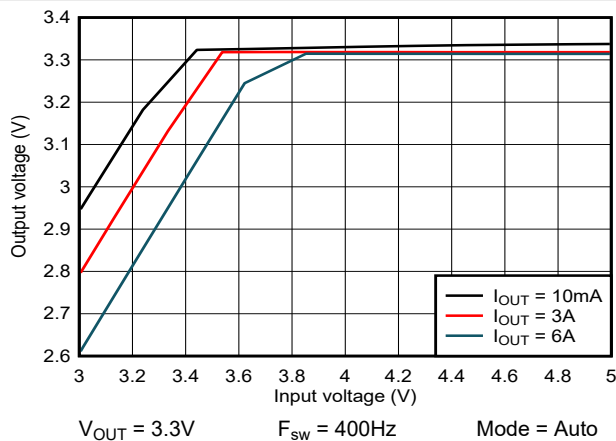


Figure 3-9. Dropout Curve

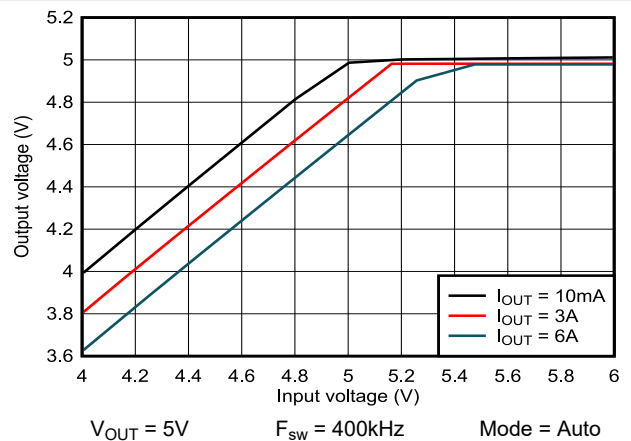
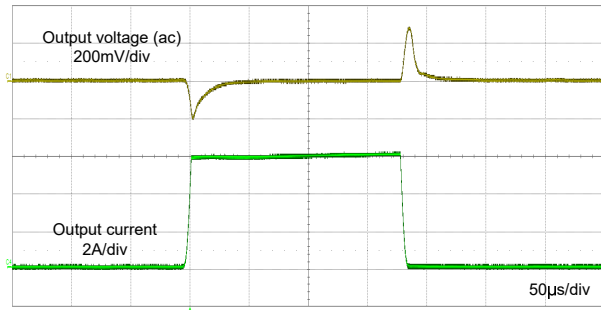
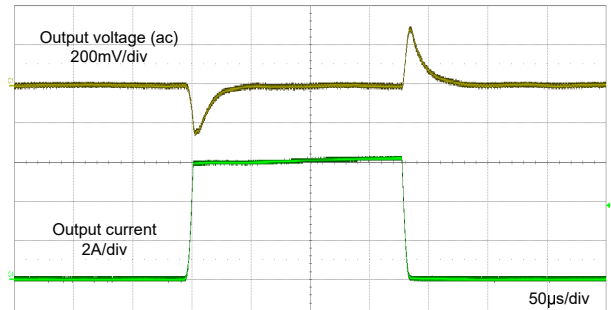


Figure 3-10. Dropout Curve



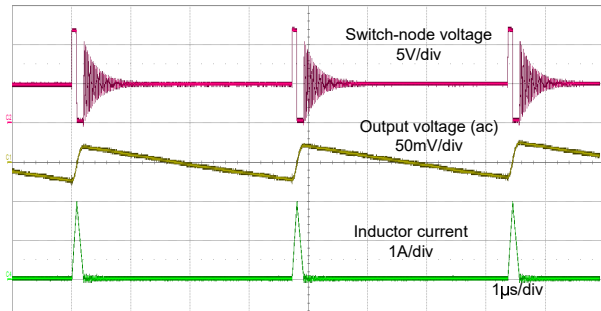
$V_{IN} = 12V$ $V_{OUT} = 3.3V$ Mode = FPWM
 $F_{sw} = 400kHz$ $I_{OUT} = 0A \text{ to } 6A$

Figure 3-11. Load Transient



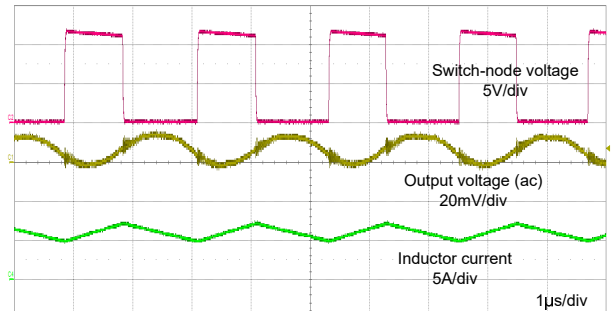
$V_{IN} = 12V$ $V_{OUT} = 5V$ Mode = FPWM
 $F_{sw} = 400kHz$ $I_{OUT} = 0A \text{ to } 6A$

Figure 3-12. Load Transient



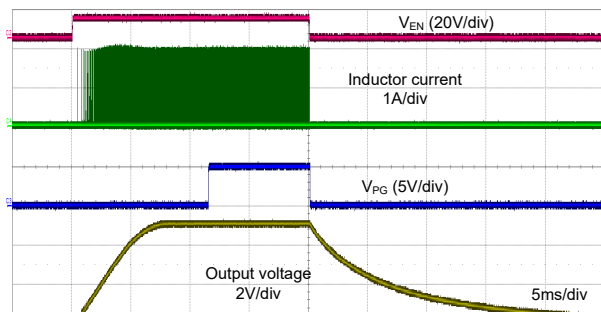
$V_{IN} = 12V$ $V_{OUT} = 5V$ Mode = AUTO
 $F_{sw} = 400kHz$ $I_{OUT} = 50mA$

Figure 3-13. Steady-State Switching Waveform and Output Voltage Ripple



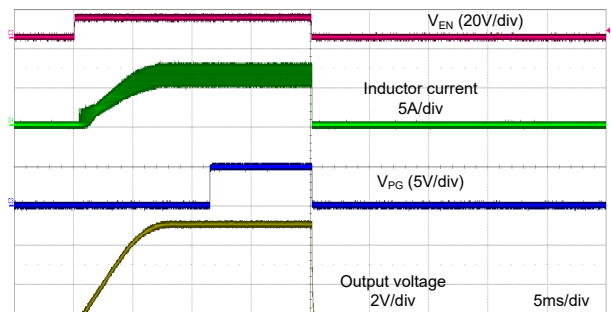
$V_{IN} = 12V$ $V_{OUT} = 5V$ Mode = FPWM
 $F_{sw} = 400kHz$ $I_{OUT} = 6A$

Figure 3-14. Steady-State Switching Waveform and Output Voltage Ripple



$V_{IN} = 12V$ $V_{OUT} = 5V$ Mode = AUTO
 $F_{sw} = 400kHz$ $I_{OUT} = 50mA$

Figure 3-15. Enable Start-Up and Shutdown With 50mA Load



$V_{IN} = 12V$ $V_{OUT} = 5V$ Mode = FPWM
 $F_{sw} = 400kHz$ $I_{OUT} = 6A$

Figure 3-16. Enable Start-Up and Shutdown With 6A Load

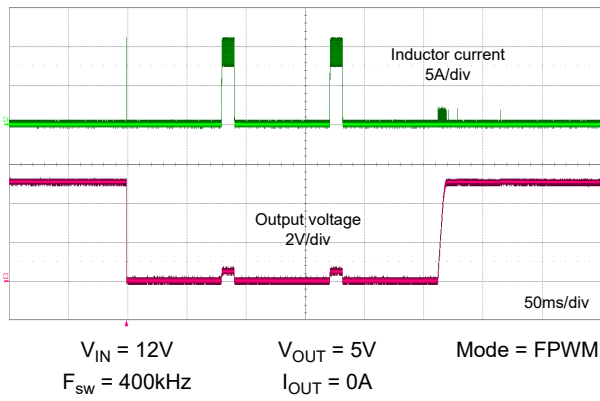


Figure 3-17. Short-Circuit Behavior

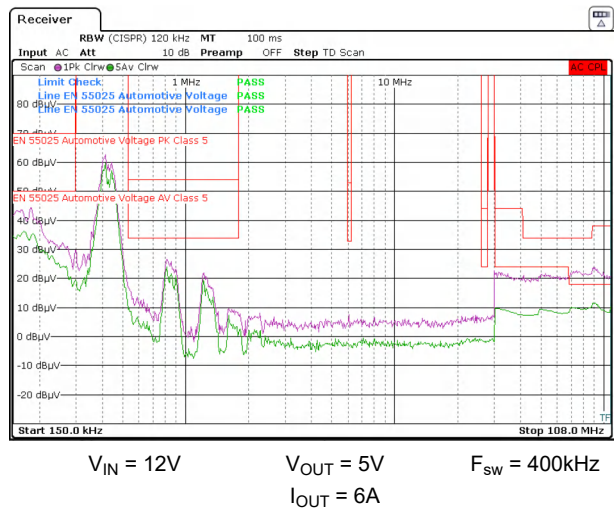


Figure 3-18. Conducted EMI vs CISPR 25 Limits (Pink: Peak Signal, Green: Average Signal)

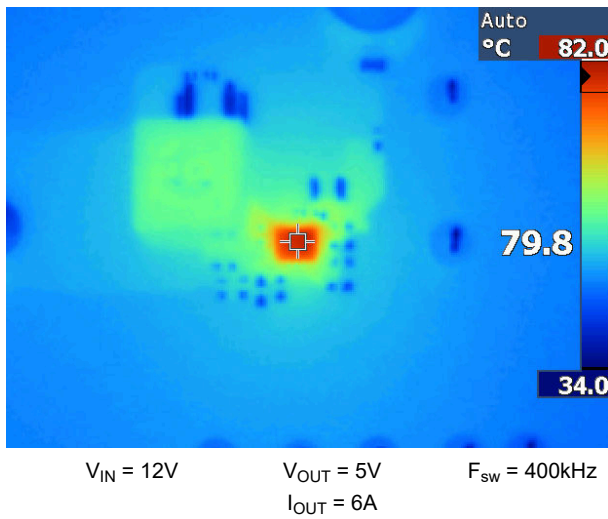


Figure 3-19. Load Transient

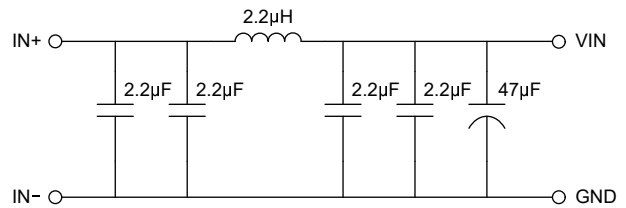


Figure 3-20. Recommended input EMI filter

4 Hardware Design Files

4.1 Schematic

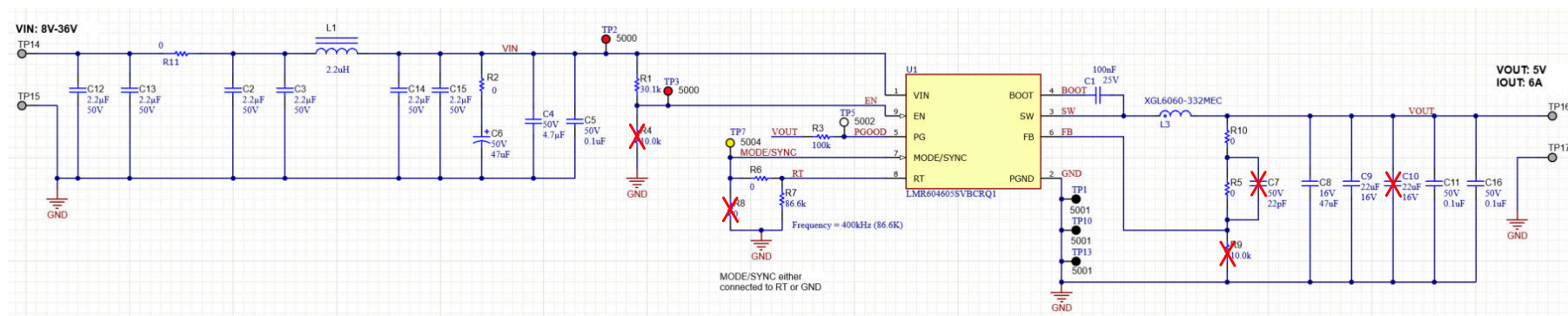


Figure 4-1. LMR60460QEVM Schematic

4.2 Board Layout

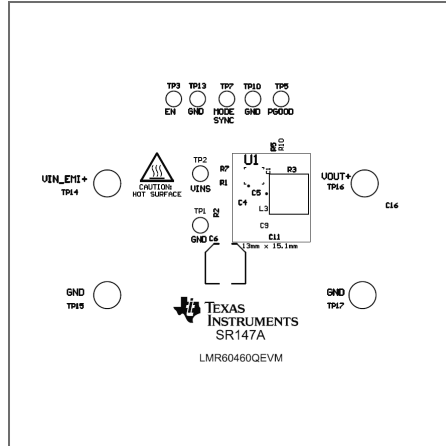


Figure 4-2. EVM Top Overlay

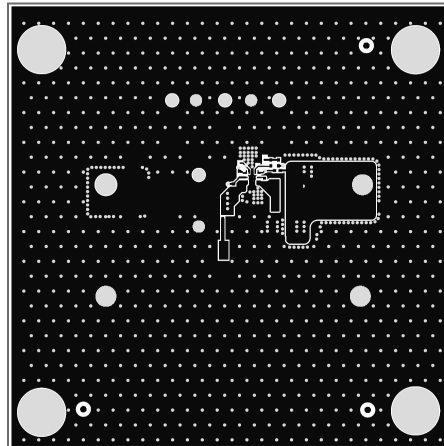


Figure 4-3. EVM Top Copper Layer

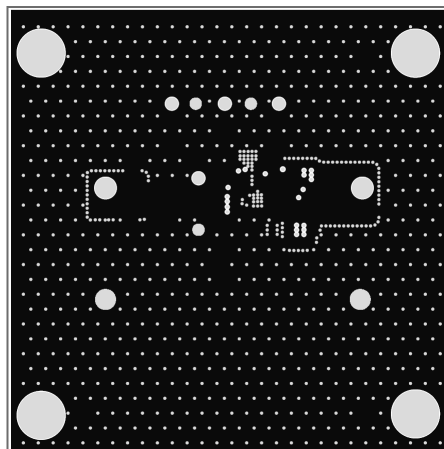


Figure 4-4. EVM Mid Layer One

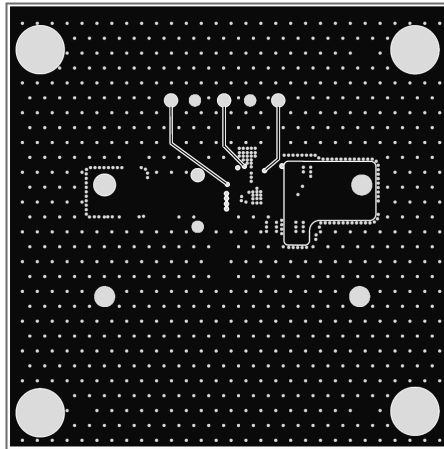


Figure 4-5. EVM Mid Layer Two

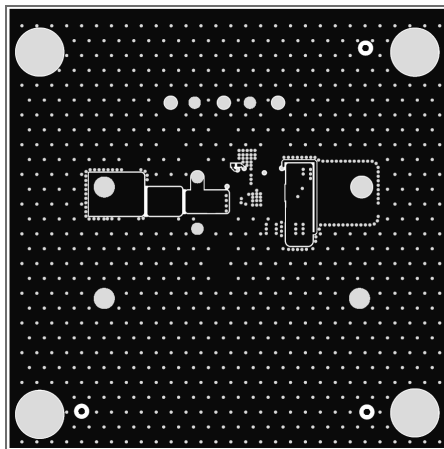


Figure 4-6. EVM Bottom Copper Layer

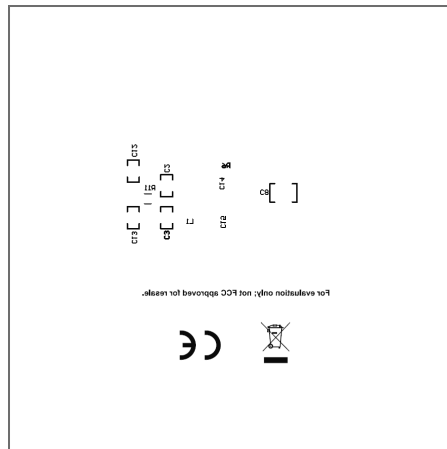


Figure 4-7. EVM Bottom Overlay

4.3 Bill of Materials

Table 4-1. Bill Of Materials

DESIGNATOR	QUANTITY	VALUE	DESCRIPTION	PART NUMBER	MANUFACTURER
!PCB1	1		Printed Circuit Board	SR147	Any
C1	1	100nF	0.1μF ±10% 25V Ceramic Capacitor X7R 0402 (1005 Metric)	CS0402KRX7R8BB104	Yageo
C2, C3, C12, C13, C14, C15	6	2.2uF	CAP, CERM, 2.2uF, 50V, +/- 10%, X7R, AEC-Q200 Grade 1, 0805	CGA4J3X7R1H225K125AB	TDK
C4	1	4.7uF	4.7μF ±10% 50V Ceramic Capacitor X7R 0805 (2012 Metric)	C2012X7R1H475K125AC	TDK
C5, C11	2	0.1uF	CAP, CERM, 0.1uF, 50V, +/- 10%, X7R, AEC-Q200 Grade 1, 0402	GCM155R71H104KE02D	MuRata
C6	1	47uF	CAP, AL, 47uF, 50V, +/- 20%, 0.68ohm, AEC-Q200 Grade 2, SMD	EEEF1H470AP	Panasonic
C8	1	47uF	CAP, CERM, 47uF, 16V, +/- 10%, X5R, 1210	GRM32ER61C476KE15L	MuRata
C9	1	22μF	Cap Ceramic 22uF 16V X7R 20% Pad SMD 1210 +125°C Automotive T/R	CGA6P1X7R1C226M250AC	TDK
C16	1	0.1uF	CAP, CERM, 0.1uF, 50V, +/- 10%, X7R, AEC-Q200 Grade 1, 0402	GCM155R71H104KE02D	MuRata
FID1, FID2, FID3, FID4, FID5, FID6	6		Fiducial mark. There is nothing to buy or mount.	N/A	N/A
H1, H2, H3, H4	4		Machine Screw, Round, #4-40 x 1/4, Nylon, Philips panhead	NY PMS 440 0025 PH	B&F Fastener Supply
H5, H6, H7, H8	4		Standoff, Hex, 0.5"L #4-40 Nylon	1902C	Keystone
L1	1	2.2uH	Inductor, Shielded, Composite, 2.2uH, 5.5A, 0.0362ohm, AEC-Q200 Grade 1, SMD	XEL4020-222MEB	Coilcraft
L3	1	3.3uH	Shielded Power Inductors 3.3uH 20% tol, 6.5mOhm 16.6A	XGL6060-332MEC	Coilcraft
R1	1	30.1k	RES, 30.1k, 1%, 0.063W, AEC-Q200 Grade 0, 0402	CRCW040230K1FKED	Vishay-Dale
R2, R5, R6, R10	4	0	RES, 0, 5%, 0.063W, 0402	RC0402JR-070RL	Yageo America
R3	1	100k	RES, 100k, 5%, 0.063W, AEC-Q200 Grade 0, 0402	CRCW0402100KJNED	Vishay-Dale
R7	1	86.6k	RES, 86.6k, 1%, 0.063W, AEC-Q200 Grade 0, 0402	CRCW040286K6FKED	Vishay-Dale
R11	1	0	0Ohms Jumper 0.5W, 1/2W Chip Resistor 1206 (3216 Metric) - Metal Element	5108	Keystone
TP1, TP10, TP13	3		Test Point, Miniature, Black, TH	5001	Keystone Electronics
TP2, TP3	2		Test Point, Miniature, Red, TH	5000	Keystone Electronics
TP5	1		Test Point, Miniature, White, TH	5002	Keystone Electronics
TP7	1		Test Point, Miniature, Yellow, TH	5004	Keystone Electronics
TP14, TP15, TP16, TP17	4		Terminal, Turret, TH, Double	1502-2	Keystone
U1	1		LMR604605SVBCRQ1	LMR604605SVBCRQ1	Texas Instruments

5 Additional Information

5.1 Trademarks

All trademarks are the property of their respective owners.

STANDARD TERMS FOR EVALUATION MODULES

1. *Delivery:* TI delivers TI evaluation boards, kits, or modules, including any accompanying demonstration software, components, and/or documentation which may be provided together or separately (collectively, an "EVM" or "EVMs") to the User ("User") in accordance with the terms set forth herein. User's acceptance of the EVM is expressly subject to the following terms.
 - 1.1 EVMs are intended solely for product or software developers for use in a research and development setting to facilitate feasibility evaluation, experimentation, or scientific analysis of TI semiconductors products. EVMs have no direct function and are not finished products. EVMs shall not be directly or indirectly assembled as a part or subassembly in any finished product. For clarification, any software or software tools provided with the EVM ("Software") shall not be subject to the terms and conditions set forth herein but rather shall be subject to the applicable terms that accompany such Software
 - 1.2 EVMs are not intended for consumer or household use. EVMs may not be sold, sublicensed, leased, rented, loaned, assigned, or otherwise distributed for commercial purposes by Users, in whole or in part, or used in any finished product or production system.
2. *Limited Warranty and Related Remedies/Disclaimers:*
 - 2.1 These terms do not apply to Software. The warranty, if any, for Software is covered in the applicable Software License Agreement.
 - 2.2 TI warrants that the TI EVM will conform to TI's published specifications for ninety (90) days after the date TI delivers such EVM to User. Notwithstanding the foregoing, TI shall not be liable for a nonconforming EVM if (a) the nonconformity was caused by neglect, misuse or mistreatment by an entity other than TI, including improper installation or testing, or for any EVMs that have been altered or modified in any way by an entity other than TI, (b) the nonconformity resulted from User's design, specifications or instructions for such EVMs or improper system design, or (c) User has not paid on time. Testing and other quality control techniques are used to the extent TI deems necessary. TI does not test all parameters of each EVM. User's claims against TI under this Section 2 are void if User fails to notify TI of any apparent defects in the EVMs within ten (10) business days after delivery, or of any hidden defects with ten (10) business days after the defect has been detected.
 - 2.3 TI's sole liability shall be at its option to repair or replace EVMs that fail to conform to the warranty set forth above, or credit User's account for such EVM. TI's liability under this warranty shall be limited to EVMs that are returned during the warranty period to the address designated by TI and that are determined by TI not to conform to such warranty. If TI elects to repair or replace such EVM, TI shall have a reasonable time to repair such EVM or provide replacements. Repaired EVMs shall be warranted for the remainder of the original warranty period. Replaced EVMs shall be warranted for a new full ninety (90) day warranty period.

WARNING

Evaluation Kits are intended solely for use by technically qualified, professional electronics experts who are familiar with the dangers and application risks associated with handling electrical mechanical components, systems, and subsystems.

User shall operate the Evaluation Kit within TI's recommended guidelines and any applicable legal or environmental requirements as well as reasonable and customary safeguards. Failure to set up and/or operate the Evaluation Kit within TI's recommended guidelines may result in personal injury or death or property damage. Proper set up entails following TI's instructions for electrical ratings of interface circuits such as input, output and electrical loads.

NOTE:

EXPOSURE TO ELECTROSTATIC DISCHARGE (ESD) MAY CAUSE DEGRADATION OR FAILURE OF THE EVALUATION KIT; TI RECOMMENDS STORAGE OF THE EVALUATION KIT IN A PROTECTIVE ESD BAG.

3 Regulatory Notices:

3.1 United States

3.1.1 Notice applicable to EVMs not FCC-Approved:

FCC NOTICE: This kit is designed to allow product developers to evaluate electronic components, circuitry, or software associated with the kit to determine whether to incorporate such items in a finished product and software developers to write software applications for use with the end product. This kit is not a finished product and when assembled may not be resold or otherwise marketed unless all required FCC equipment authorizations are first obtained. Operation is subject to the condition that this product not cause harmful interference to licensed radio stations and that this product accept harmful interference. Unless the assembled kit is designed to operate under part 15, part 18 or part 95 of this chapter, the operator of the kit must operate under the authority of an FCC license holder or must secure an experimental authorization under part 5 of this chapter.

3.1.2 For EVMs annotated as FCC – FEDERAL COMMUNICATIONS COMMISSION Part 15 Compliant:

CAUTION

This device complies with part 15 of the FCC Rules. Operation is subject to the following two conditions: (1) This device may not cause harmful interference, and (2) this device must accept any interference received, including interference that may cause undesired operation.

Changes or modifications not expressly approved by the party responsible for compliance could void the user's authority to operate the equipment.

FCC Interference Statement for Class A EVM devices

NOTE: This equipment has been tested and found to comply with the limits for a Class A digital device, pursuant to part 15 of the FCC Rules. These limits are designed to provide reasonable protection against harmful interference when the equipment is operated in a commercial environment. This equipment generates, uses, and can radiate radio frequency energy and, if not installed and used in accordance with the instruction manual, may cause harmful interference to radio communications. Operation of this equipment in a residential area is likely to cause harmful interference in which case the user will be required to correct the interference at his own expense.

FCC Interference Statement for Class B EVM devices

NOTE: This equipment has been tested and found to comply with the limits for a Class B digital device, pursuant to part 15 of the FCC Rules. These limits are designed to provide reasonable protection against harmful interference in a residential installation. This equipment generates, uses and can radiate radio frequency energy and, if not installed and used in accordance with the instructions, may cause harmful interference to radio communications. However, there is no guarantee that interference will not occur in a particular installation. If this equipment does cause harmful interference to radio or television reception, which can be determined by turning the equipment off and on, the user is encouraged to try to correct the interference by one or more of the following measures:

- Reorient or relocate the receiving antenna.
- Increase the separation between the equipment and receiver.
- Connect the equipment into an outlet on a circuit different from that to which the receiver is connected.
- Consult the dealer or an experienced radio/TV technician for help.

3.2 Canada

3.2.1 For EVMs issued with an Industry Canada Certificate of Conformance to RSS-210 or RSS-247

Concerning EVMs Including Radio Transmitters:

This device complies with Industry Canada license-exempt RSSs. Operation is subject to the following two conditions:

(1) this device may not cause interference, and (2) this device must accept any interference, including interference that may cause undesired operation of the device.

Concernant les EVMs avec appareils radio:

Le présent appareil est conforme aux CNR d'Industrie Canada applicables aux appareils radio exempts de licence. L'exploitation est autorisée aux deux conditions suivantes: (1) l'appareil ne doit pas produire de brouillage, et (2) l'utilisateur de l'appareil doit accepter tout brouillage radioélectrique subi, même si le brouillage est susceptible d'en compromettre le fonctionnement.

Concerning EVMs Including Detachable Antennas:

Under Industry Canada regulations, this radio transmitter may only operate using an antenna of a type and maximum (or lesser) gain approved for the transmitter by Industry Canada. To reduce potential radio interference to other users, the antenna type and its gain should be so chosen that the equivalent isotropically radiated power (e.i.r.p.) is not more than that necessary for successful communication. This radio transmitter has been approved by Industry Canada to operate with the antenna types listed in the user guide with the maximum permissible gain and required antenna impedance for each antenna type indicated. Antenna types not included in this list, having a gain greater than the maximum gain indicated for that type, are strictly prohibited for use with this device.

Concernant les EVMs avec antennes détachables

Conformément à la réglementation d'Industrie Canada, le présent émetteur radio peut fonctionner avec une antenne d'un type et d'un gain maximal (ou inférieur) approuvé pour l'émetteur par Industrie Canada. Dans le but de réduire les risques de brouillage radioélectrique à l'intention des autres utilisateurs, il faut choisir le type d'antenne et son gain de sorte que la puissance isotrope rayonnée équivalente (p.i.r.e.) ne dépasse pas l'intensité nécessaire à l'établissement d'une communication satisfaisante. Le présent émetteur radio a été approuvé par Industrie Canada pour fonctionner avec les types d'antenne énumérés dans le manuel d'usage et ayant un gain admissible maximal et l'impédance requise pour chaque type d'antenne. Les types d'antenne non inclus dans cette liste, ou dont le gain est supérieur au gain maximal indiqué, sont strictement interdits pour l'exploitation de l'émetteur.

3.3 Japan

3.3.1 *Notice for EVMs delivered in Japan:* Please see http://www.tij.co.jp/lstds/ti_ja/general/eStore/notice_01.page 日本国内に輸入される評価用キット、ボードについては、次のところをご覧ください。

<https://www.ti.com/ja-jp/legal/notice-for-evaluation-kits-delivered-in-japan.html>

3.3.2 *Notice for Users of EVMs Considered "Radio Frequency Products" in Japan:* EVMs entering Japan may not be certified by TI as conforming to Technical Regulations of Radio Law of Japan.

If User uses EVMs in Japan, not certified to Technical Regulations of Radio Law of Japan, User is required to follow the instructions set forth by Radio Law of Japan, which includes, but is not limited to, the instructions below with respect to EVMs (which for the avoidance of doubt are stated strictly for convenience and should be verified by User):

1. Use EVMs in a shielded room or any other test facility as defined in the notification #173 issued by Ministry of Internal Affairs and Communications on March 28, 2006, based on Sub-section 1.1 of Article 6 of the Ministry's Rule for Enforcement of Radio Law of Japan,
2. Use EVMs only after User obtains the license of Test Radio Station as provided in Radio Law of Japan with respect to EVMs, or
3. Use of EVMs only after User obtains the Technical Regulations Conformity Certification as provided in Radio Law of Japan with respect to EVMs. Also, do not transfer EVMs, unless User gives the same notice above to the transferee. Please note that if User does not follow the instructions above, User will be subject to penalties of Radio Law of Japan.

【無線電波を送信する製品の開発キットをお使いになる際の注意事項】 開発キットの中には技術基準適合証明を受けていないものがあります。技術適合証明を受けていないものご使用に際しては、電波法遵守のため、以下のいずれかの措置を取っていただく必要がありますのでご注意ください。

1. 電波法施行規則第6条第1項第1号に基づく平成18年3月28日総務省告示第173号で定められた電波暗室等の試験設備でご使用いただく。
2. 実験局の免許を取得後ご使用いただく。
3. 技術基準適合証明を取得後ご使用いただく。

なお、本製品は、上記の「ご使用にあたっての注意」を譲渡先、移転先に通知しない限り、譲渡、移転できないものとします。

上記を遵守頂けない場合は、電波法の罰則が適用される可能性があることをご留意ください。日本テキサス・イ

ンスツルメンツ株式会社

東京都新宿区西新宿 6 丁目 2 4 番 1 号

西新宿三井ビル

3.3.3 *Notice for EVMs for Power Line Communication:* Please see http://www.tij.co.jp/lstds/ti_ja/general/eStore/notice_02.page

電力線搬送波通信についての開発キットをお使いになる際の注意事項については、次のところをご覧ください。 <https://www.ti.com/ja-jp/legal/notice-for-evaluation-kits-for-power-line-communication.html>

3.4 European Union

3.4.1 *For EVMs subject to EU Directive 2014/30/EU (Electromagnetic Compatibility Directive):*

This is a class A product intended for use in environments other than domestic environments that are connected to a low-voltage power-supply network that supplies buildings used for domestic purposes. In a domestic environment this product may cause radio interference in which case the user may be required to take adequate measures.

-
- 4 *EVM Use Restrictions and Warnings:*
 - 4.1 EVMS ARE NOT FOR USE IN FUNCTIONAL SAFETY AND/OR SAFETY CRITICAL EVALUATIONS, INCLUDING BUT NOT LIMITED TO EVALUATIONS OF LIFE SUPPORT APPLICATIONS.
 - 4.2 User must read and apply the user guide and other available documentation provided by TI regarding the EVM prior to handling or using the EVM, including without limitation any warning or restriction notices. The notices contain important safety information related to, for example, temperatures and voltages.
 - 4.3 *Safety-Related Warnings and Restrictions:*
 - 4.3.1 User shall operate the EVM within TI's recommended specifications and environmental considerations stated in the user guide, other available documentation provided by TI, and any other applicable requirements and employ reasonable and customary safeguards. Exceeding the specified performance ratings and specifications (including but not limited to input and output voltage, current, power, and environmental ranges) for the EVM may cause personal injury or death, or property damage. If there are questions concerning performance ratings and specifications, User should contact a TI field representative prior to connecting interface electronics including input power and intended loads. Any loads applied outside of the specified output range may also result in unintended and/or inaccurate operation and/or possible permanent damage to the EVM and/or interface electronics. Please consult the EVM user guide prior to connecting any load to the EVM output. If there is uncertainty as to the load specification, please contact a TI field representative. During normal operation, even with the inputs and outputs kept within the specified allowable ranges, some circuit components may have elevated case temperatures. These components include but are not limited to linear regulators, switching transistors, pass transistors, current sense resistors, and heat sinks, which can be identified using the information in the associated documentation. When working with the EVM, please be aware that the EVM may become very warm.
 - 4.3.2 EVMs are intended solely for use by technically qualified, professional electronics experts who are familiar with the dangers and application risks associated with handling electrical mechanical components, systems, and subsystems. User assumes all responsibility and liability for proper and safe handling and use of the EVM by User or its employees, affiliates, contractors or designees. User assumes all responsibility and liability to ensure that any interfaces (electronic and/or mechanical) between the EVM and any human body are designed with suitable isolation and means to safely limit accessible leakage currents to minimize the risk of electrical shock hazard. User assumes all responsibility and liability for any improper or unsafe handling or use of the EVM by User or its employees, affiliates, contractors or designees.
 - 4.4 User assumes all responsibility and liability to determine whether the EVM is subject to any applicable international, federal, state, or local laws and regulations related to User's handling and use of the EVM and, if applicable, User assumes all responsibility and liability for compliance in all respects with such laws and regulations. User assumes all responsibility and liability for proper disposal and recycling of the EVM consistent with all applicable international, federal, state, and local requirements.
 5. *Accuracy of Information:* To the extent TI provides information on the availability and function of EVMs, TI attempts to be as accurate as possible. However, TI does not warrant the accuracy of EVM descriptions, EVM availability or other information on its websites as accurate, complete, reliable, current, or error-free.
 6. *Disclaimers:*
 - 6.1 EXCEPT AS SET FORTH ABOVE, EVMS AND ANY MATERIALS PROVIDED WITH THE EVM (INCLUDING, BUT NOT LIMITED TO, REFERENCE DESIGNS AND THE DESIGN OF THE EVM ITSELF) ARE PROVIDED "AS IS" AND "WITH ALL FAULTS." TI DISCLAIMS ALL OTHER WARRANTIES, EXPRESS OR IMPLIED, REGARDING SUCH ITEMS, INCLUDING BUT NOT LIMITED TO ANY EPIDEMIC FAILURE WARRANTY OR IMPLIED WARRANTIES OF MERCHANTABILITY OR FITNESS FOR A PARTICULAR PURPOSE OR NON-INFRINGEMENT OF ANY THIRD PARTY PATENTS, COPYRIGHTS, TRADE SECRETS OR OTHER INTELLECTUAL PROPERTY RIGHTS.
 - 6.2 EXCEPT FOR THE LIMITED RIGHT TO USE THE EVM SET FORTH HEREIN, NOTHING IN THESE TERMS SHALL BE CONSTRUED AS GRANTING OR CONFERRING ANY RIGHTS BY LICENSE, PATENT, OR ANY OTHER INDUSTRIAL OR INTELLECTUAL PROPERTY RIGHT OF TI, ITS SUPPLIERS/LICENSORS OR ANY OTHER THIRD PARTY, TO USE THE EVM IN ANY FINISHED END-USER OR READY-TO-USE FINAL PRODUCT, OR FOR ANY INVENTION, DISCOVERY OR IMPROVEMENT, REGARDLESS OF WHEN MADE, CONCEIVED OR ACQUIRED.
 7. *USER'S INDEMNITY OBLIGATIONS AND REPRESENTATIONS.* USER WILL DEFEND, INDEMNIFY AND HOLD TI, ITS LICENSORS AND THEIR REPRESENTATIVES HARMLESS FROM AND AGAINST ANY AND ALL CLAIMS, DAMAGES, LOSSES, EXPENSES, COSTS AND LIABILITIES (COLLECTIVELY, "CLAIMS") ARISING OUT OF OR IN CONNECTION WITH ANY HANDLING OR USE OF THE EVM THAT IS NOT IN ACCORDANCE WITH THESE TERMS. THIS OBLIGATION SHALL APPLY WHETHER CLAIMS ARISE UNDER STATUTE, REGULATION, OR THE LAW OF TORT, CONTRACT OR ANY OTHER LEGAL THEORY, AND EVEN IF THE EVM FAILS TO PERFORM AS DESCRIBED OR EXPECTED.

8. *Limitations on Damages and Liability:*

8.1 *General Limitations.* IN NO EVENT SHALL TI BE LIABLE FOR ANY SPECIAL, COLLATERAL, INDIRECT, PUNITIVE, INCIDENTAL, CONSEQUENTIAL, OR EXEMPLARY DAMAGES IN CONNECTION WITH OR ARISING OUT OF THESE TERMS OR THE USE OF THE EVMS , REGARDLESS OF WHETHER TI HAS BEEN ADVISED OF THE POSSIBILITY OF SUCH DAMAGES. EXCLUDED DAMAGES INCLUDE, BUT ARE NOT LIMITED TO, COST OF REMOVAL OR REINSTALLATION, ANCILLARY COSTS TO THE PROCUREMENT OF SUBSTITUTE GOODS OR SERVICES, RETESTING, OUTSIDE COMPUTER TIME, LABOR COSTS, LOSS OF GOODWILL, LOSS OF PROFITS, LOSS OF SAVINGS, LOSS OF USE, LOSS OF DATA, OR BUSINESS INTERRUPTION. NO CLAIM, SUIT OR ACTION SHALL BE BROUGHT AGAINST TI MORE THAN TWELVE (12) MONTHS AFTER THE EVENT THAT GAVE RISE TO THE CAUSE OF ACTION HAS OCCURRED.

8.2 *Specific Limitations.* IN NO EVENT SHALL TI'S AGGREGATE LIABILITY FROM ANY USE OF AN EVM PROVIDED HEREUNDER, INCLUDING FROM ANY WARRANTY, INDEMNITY OR OTHER OBLIGATION ARISING OUT OF OR IN CONNECTION WITH THESE TERMS, , EXCEED THE TOTAL AMOUNT PAID TO TI BY USER FOR THE PARTICULAR EVM(S) AT ISSUE DURING THE PRIOR TWELVE (12) MONTHS WITH RESPECT TO WHICH LOSSES OR DAMAGES ARE CLAIMED. THE EXISTENCE OF MORE THAN ONE CLAIM SHALL NOT ENLARGE OR EXTEND THIS LIMIT.

9. *Return Policy.* Except as otherwise provided, TI does not offer any refunds, returns, or exchanges. Furthermore, no return of EVM(s) will be accepted if the package has been opened and no return of the EVM(s) will be accepted if they are damaged or otherwise not in a resalable condition. If User feels it has been incorrectly charged for the EVM(s) it ordered or that delivery violates the applicable order, User should contact TI. All refunds will be made in full within thirty (30) working days from the return of the components(s), excluding any postage or packaging costs.

10. *Governing Law:* These terms and conditions shall be governed by and interpreted in accordance with the laws of the State of Texas, without reference to conflict-of-laws principles. User agrees that non-exclusive jurisdiction for any dispute arising out of or relating to these terms and conditions lies within courts located in the State of Texas and consents to venue in Dallas County, Texas. Notwithstanding the foregoing, any judgment may be enforced in any United States or foreign court, and TI may seek injunctive relief in any United States or foreign court.

Mailing Address: Texas Instruments, Post Office Box 655303, Dallas, Texas 75265
Copyright © 2023, Texas Instruments Incorporated

IMPORTANT NOTICE AND DISCLAIMER

TI PROVIDES TECHNICAL AND RELIABILITY DATA (INCLUDING DATA SHEETS), DESIGN RESOURCES (INCLUDING REFERENCE DESIGNS), APPLICATION OR OTHER DESIGN ADVICE, WEB TOOLS, SAFETY INFORMATION, AND OTHER RESOURCES "AS IS" AND WITH ALL FAULTS, AND DISCLAIMS ALL WARRANTIES, EXPRESS AND IMPLIED, INCLUDING WITHOUT LIMITATION ANY IMPLIED WARRANTIES OF MERCHANTABILITY, FITNESS FOR A PARTICULAR PURPOSE OR NON-INFRINGEMENT OF THIRD PARTY INTELLECTUAL PROPERTY RIGHTS.

These resources are intended for skilled developers designing with TI products. You are solely responsible for (1) selecting the appropriate TI products for your application, (2) designing, validating and testing your application, and (3) ensuring your application meets applicable standards, and any other safety, security, regulatory or other requirements.

These resources are subject to change without notice. TI grants you permission to use these resources only for development of an application that uses the TI products described in the resource. Other reproduction and display of these resources is prohibited. No license is granted to any other TI intellectual property right or to any third party intellectual property right. TI disclaims responsibility for, and you will fully indemnify TI and its representatives against, any claims, damages, costs, losses, and liabilities arising out of your use of these resources.

TI's products are provided subject to [TI's Terms of Sale](#) or other applicable terms available either on [ti.com](https://www.ti.com) or provided in conjunction with such TI products. TI's provision of these resources does not expand or otherwise alter TI's applicable warranties or warranty disclaimers for TI products.

TI objects to and rejects any additional or different terms you may have proposed.

Mailing Address: Texas Instruments, Post Office Box 655303, Dallas, Texas 75265

Copyright © 2025, Texas Instruments Incorporated