



ABSTRACT

The TPS22916ALLEVM evaluation module (EVM) allows the user to connect power to and control the 4-pin YFP package load switch. Parameters such as the on-resistance, rise time and output pull-down resistance can be easily evaluated. [Table 1-1](#) lists a short description of the TPS22916 load switch performance specifications. For additional details on load switch performance, application notes, and the data sheet see [Load Switches](#).

Table 1-1. TPS22916 Rise Time, Output Current Rating, Enable, and Output Discharge Characteristics

| EVM | Device | Rise Time Typical | VIN (V) | Maximum Continuous Current | Enable (ON Pin) | Quick Output Discharge |
|-------------|-------------|-------------------|---------|----------------------------|-----------------|------------------------|
| PSIL189-001 | TPS22916C | 1400 μ s | 5.5 | 2 A | Active High | Yes |
| | TPS22916B | 105 μ s | 5.5 | 2 A | Active High | Yes |
| | TPS22916CL | 1400 μ s | 5.5 | 2 A | Active Low | Yes |
| | TPS22916CN | 1400 μ s | 5.5 | 2 A | Active High | No |
| | TPS22916CNL | 1400 μ s | 5.5 | 2 A | Active Low | No |
| | TPS22916BL | 105 μ s | 5.5 | 2 A | Active Low | Yes |

Table of Contents

| | |
|---|---|
| 1 Introduction | 2 |
| 1.1 Description..... | 2 |
| 1.2 Features..... | 2 |
| 2 Electrical Performance | 2 |
| 3 Schematic | 3 |
| 4 Layout | 4 |
| 4.1 Setup..... | 5 |
| 5 Operation | 5 |
| 6 Test Configurations | 6 |
| 6.1 On-Resistance (RON) Test Setup..... | 6 |
| 6.2 Slew Rate Test Setup..... | 7 |
| 7 Bill of Materials (BOM) | 8 |

List of Figures

| | |
|---|---|
| Figure 3-1. TPS22916ALLEVM Schematic..... | 3 |
| Figure 4-1. TPS22916ALLEVM Top Layout..... | 4 |
| Figure 4-2. TPS22916ALLEVM Bottom Layout..... | 4 |
| Figure 6-1. R _{ON} Setup..... | 6 |
| Figure 6-2. Slew Rate Setup..... | 7 |

List of Tables

| | |
|---|---|
| Table 1-1. TPS22916 Rise Time, Output Current Rating, Enable, and Output Discharge Characteristics..... | 1 |
| Table 7-1. Bill of Materials..... | 8 |

Trademarks

All trademarks are the property of their respective owners.

1 Introduction

1.1 Description

The TPS22916ALLEVM is a two-sided PCB containing the TPS22916C, TPS22916B, TPS22916CL, TPS22916CN, TPS22916CNL and TPS22916BL load switch devices. The VIN and VOUT connections to the device and the PCB layout routing are capable of handling high continuous currents and provide a low resistance pathway into and out of the device under test. Test point connections allow the EVM user to control the device with user defined test conditions and make accurate R_{ON} measurements.

1.2 Features

- VIN input voltage range: 1 V to 5.5 V
- EVM allows access to the VIN, VOUT, GND, and ON pin of the *TPS22916 Load Switch Devices*
- On-board C_{IN} and C_{OUT} capacitors
- 2-A maximum continuous current operation
- This evaluation module comes with the TPS22916C, TPS22916B, TPS22916CL, TPS22916CN, TPS22916CNL, and TPS22916BL

2 Electrical Performance

See the TPS22916 data sheet, [TPS22916xx 1-V – 5.5-V, 2-A, 60-m \$\Omega\$ Ultra-Low Leakage Load Switch](#), for detailed electrical characteristics.

3 Schematic

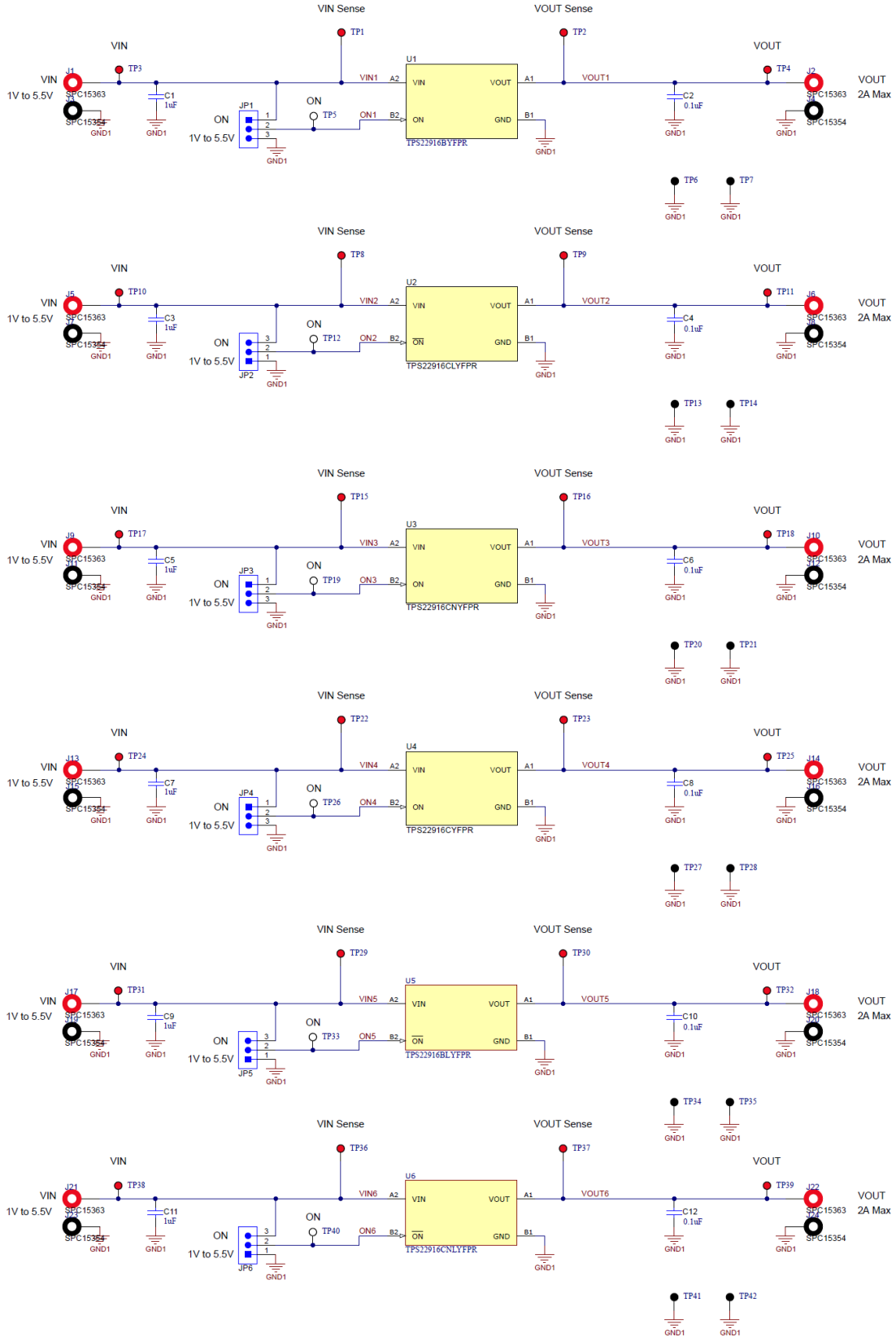


Figure 3-1. TPS22916ALLEVM Schematic

4 Layout

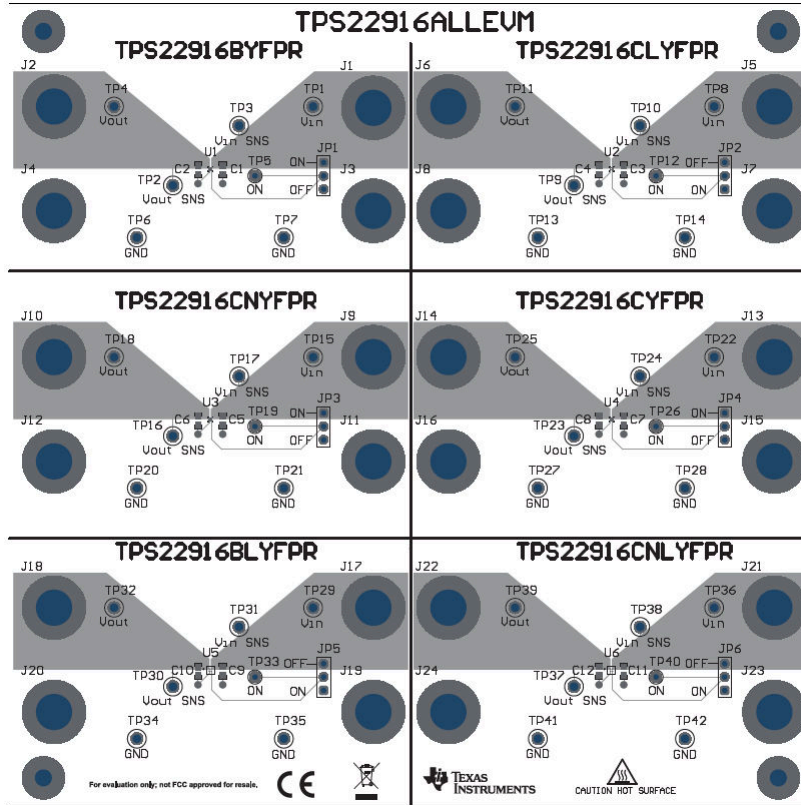


Figure 4-1. TPS22916ALLEVM Top Layout

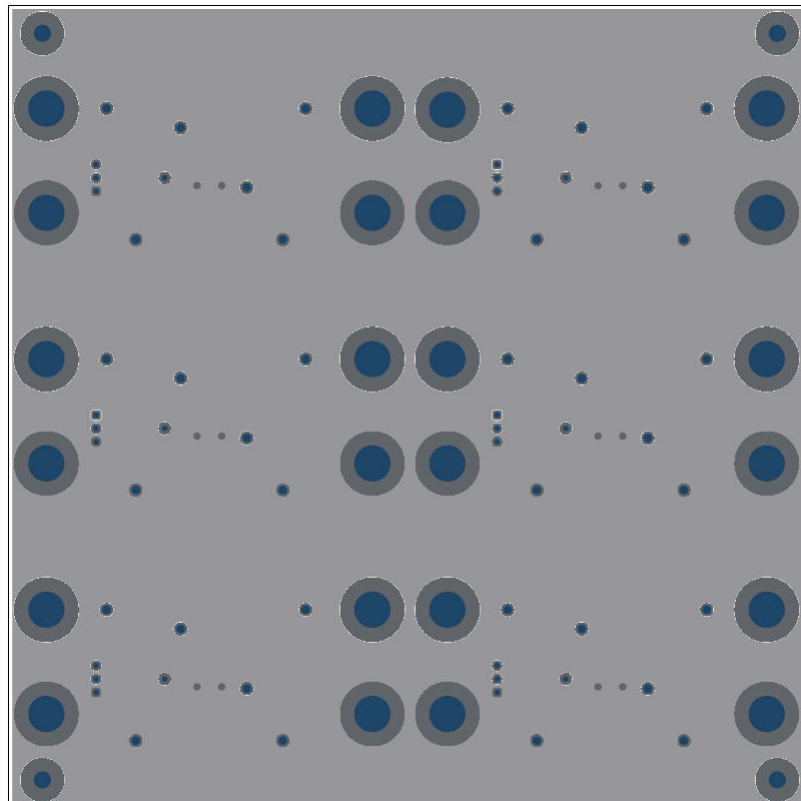


Figure 4-2. TPS22916ALLEVM Bottom Layout

4.1 Setup

This section describes the jumpers and connectors on the EVM as well as how to properly connect, setup, and use the EVM.

4.1.1 J1/J3/J5/J9/J13/J17/J21 – Input Connection

The input connection is the connection for the leads from the input source. Connect the positive lead to the J1/J3/J5/J9/J13/J17/J21 "+" terminal and the negative lead to the "-" terminal (GND).

4.1.2 J2/J6/J10/J14/J18/J22 – Output Connection

The output connection is the connection for the output of the EVM. Connect the positive lead to the J2/J6/J10/J14/J18/J22 "+" terminal and the negative lead to the "-" terminal (GND).

4.1.3 JP1/JP2/JP3/JP4/JP5/JP6 – ON

The ON is the enable input for the device. A shorting jumper must be installed on JP1/JP2/JP3/JP4/JP5/JP6 in either the ON or OFF position. The TPS22916C/B/CN is active high, and the TPS22916CL/CNL/BL is active low. ON must not be left floating. An external enable source can be applied to the EVM by removing the shunt and connecting a signal to TP5/TP12/TP19/TP26/TP33/TP40. Refer to the data sheet for proper ON and OFF voltage level settings. A switching signal can also be used and connected at this point.

4.1.4 TP3/TP10/TP17/TP24/TP31/TP38 – VIN Sense, TP2/TP9/TP16/TP23/TP30/TP37 – VOUT Sense

These two connections are used when very accurate measurements of the input or output are required. RON measurements must be made using these sense connections when measuring the voltage drop from VIN to VOUT to calculate the resistance.

4.1.5 TP6/TP7/TP13/TP14/TP20/TP21/TP27/TP28/TP34/TP35/TP41/TP42 – GND

These are connections to GND.

5 Operation

Connect the positive input of the VIN power supply to VIN at the positive terminal of J1/J3/J5/J7/JP9/JP13/JP17/JP21. Connect the negative lead of the power supply to GND at the negative terminal of J1/J3/J5/J7/JP9/JP13/JP17/JP21. The input voltage range of the TPS22916ALLEVM is 1 V to 5.5 V.

External output loads can be applied to the switch by using J2/J6/J10/J14/J18/J22. The TPS22916ALLEVM is rated for a maximum continuous current of 2 A. Configure JP1/JP2/JP3/JP4/JP5/JP6 as required. A shunt must be installed for proper operation. When the ON pin is asserted to the ON state of the jumper, the output of the TPS22916 is enabled.

6 Test Configurations

6.1 On-Resistance (RON) Test Setup

Figure 6-1 shows a typical setup for measuring on-resistance. The voltage drop across the switch is measured using the sense connections then divided by the current into the load yielding the R_{ON} resistance.

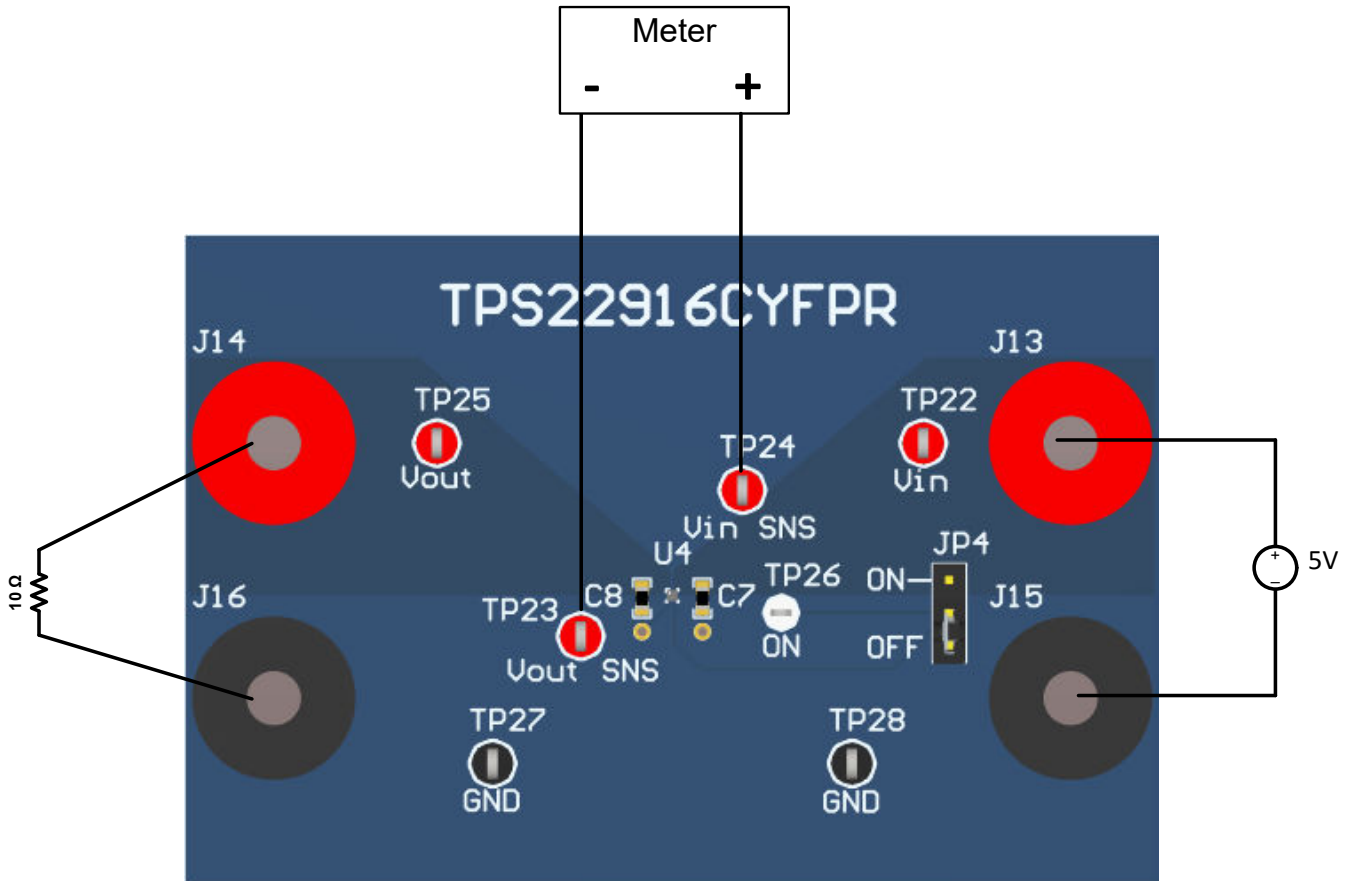


Figure 6-1. R_{ON} Setup

6.2 Slew Rate Test Setup

Figure 6-2 shows a test setup for measuring the slew rate of the load switch. Apply a square wave to the ON pin of the switch using a function generator and apply a voltage to the VIN terminal using a power supply. Observe the waveform at VOUT with a scope to measure the slew rate and rise time of the switch with a given input voltage.

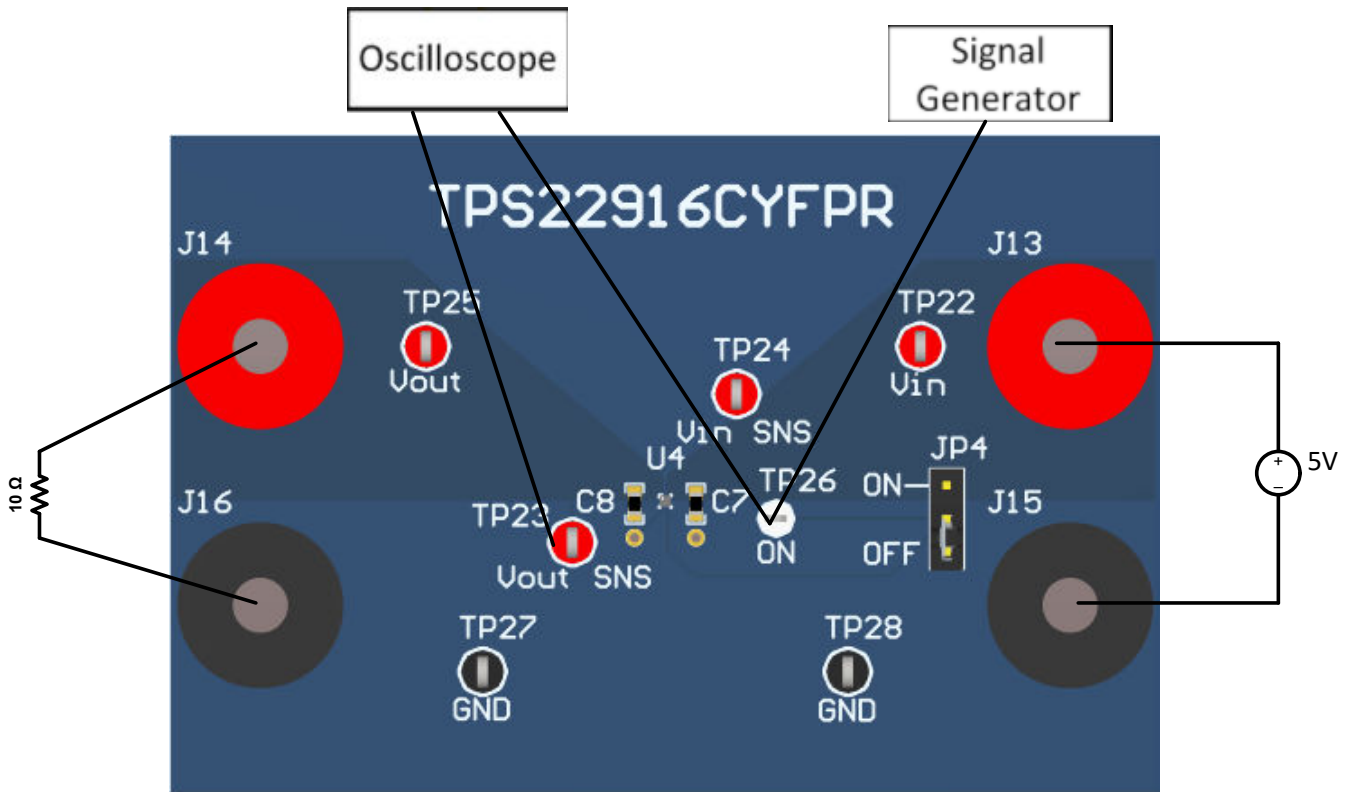


Figure 6-2. Slew Rate Setup

7 Bill of Materials (BOM)

Table 7-1. Bill of Materials

| Designator | Quantity | Value | Description | Package Reference | Part Number | Manufacturer |
|--|----------|--------|--|------------------------------|----------------|-------------------|
| PCB! | 1 | | Printed Circuit Board | | PSIL189 | Any |
| C1, C3, C5, C7, C9, C11 | 6 | 1 uF | CAP, CERM, 1 uF, 25 V, +/- 10%, X7R, 0603 | 603 | 06033C105KAT2A | AVX |
| C2, C4, C6, C8, C10, C12 | 6 | 0.1 uF | CAP, CERM, 0.1 uF, 16 V, +/- 5%, X7R, 0603 | 603 | 0603YC104JAT2A | AVX |
| J1, J2, J5, J6, J9, J10, J13, J14, J17, J18, J21, J22 | 12 | | BANANA JACK, SOLDER LUG, RED, TH | Red Insulated Banana Jack | SPC15363 | Tenma |
| J3, J4, J7, J8, J11, J12, J15, J16, J19, J20, J23, J24 | 12 | | BANANA JACK, SOLDER LUG, BLACK, TH | Black Insulated Banana Jack | SPC15354 | Tenma |
| JP1, JP2, JP3, JP4, JP5, JP6 | 6 | | Header, 100mil, 3x1, Gold, TH | 3x1 Header | TSW-103-07-G-S | Samtec |
| SH-J1, SH-J2, SH-J3, SH-J4, SH-J5, SH-J6 | 6 | | Shunt, 2.54mm, Gold, Black | Shunt, 2.54mm, Black | 60900213421 | Würth Elektronik |
| TP1, TP2, TP3, TP4, TP8, TP9, TP10, TP11, TP15, TP16, TP17, TP18, TP22, TP23, TP24, TP25, TP29, TP30, TP31, TP32, TP36, TP37, TP38, TP39 | 24 | | Test Point, Multipurpose, Red, TH | Red Multipurpose Testpoint | 5010 | Keystone |
| TP5, TP12, TP19, TP26, TP33, TP40 | 6 | | Test Point, Miniature, White, TH | White Miniature Testpoint | 5002 | Keystone |
| TP6, TP7, TP13, TP14, TP20, TP21, TP27, TP28, TP34, TP35, TP41, TP42 | 12 | | Test Point, Multipurpose, Black, TH | Black Multipurpose Testpoint | 5011 | Keystone |
| U1 | 1 | | 5.5V, 2A, 60mohm Low Leakage Load Switch With RCP, YFP0004ABAB (DSBGA-4) | YFP0004ABAB | TPS22916BYFPR | Texas Instruments |
| U2 | 1 | | 5.5V, 2A, 60mohm Low Leakage Load Switch With RCP, YFP0004ABAB (DSBGA-4) | YFP0004ABAB | TPS22916CLYFPR | Texas Instruments |
| U3 | 1 | | 5.5V, 2A, 60mohm Low Leakage Load Switch With RCP, YFP0004ABAB (DSBGA-4) | YFP0004ABAB | TPS22916CNYFPR | Texas Instruments |
| U4 | 1 | | 5.5V, 2A, 60mohm Low Leakage Load Switch With RCP, YFP0004ABAB (DSBGA-4) | YFP0004ABAB | TPS22916CYFPR | Texas Instruments |

Table 7-1. Bill of Materials (continued)

| Designator | Quantity | Value | Description | Package Reference | Part Number | Manufacturer |
|------------|----------|-------|---|-------------------|-----------------|-------------------|
| U5 | 1 | | 1-V - 5.5-V, 2-A, 60-mΩ Ultra-Low Leakage Load Switch | DSBGA4 | TPS22916BLYFPR | Texas Instruments |
| U6 | 1 | | 1-V - 5.5-V, 2-A, 60-mΩ Ultra-Low Leakage Load Switch | BGA4 | TPS22916CNLYFPR | Texas Instruments |

IMPORTANT NOTICE AND DISCLAIMER

TI PROVIDES TECHNICAL AND RELIABILITY DATA (INCLUDING DATASHEETS), DESIGN RESOURCES (INCLUDING REFERENCE DESIGNS), APPLICATION OR OTHER DESIGN ADVICE, WEB TOOLS, SAFETY INFORMATION, AND OTHER RESOURCES "AS IS" AND WITH ALL FAULTS, AND DISCLAIMS ALL WARRANTIES, EXPRESS AND IMPLIED, INCLUDING WITHOUT LIMITATION ANY IMPLIED WARRANTIES OF MERCHANTABILITY, FITNESS FOR A PARTICULAR PURPOSE OR NON-INFRINGEMENT OF THIRD PARTY INTELLECTUAL PROPERTY RIGHTS.

These resources are intended for skilled developers designing with TI products. You are solely responsible for (1) selecting the appropriate TI products for your application, (2) designing, validating and testing your application, and (3) ensuring your application meets applicable standards, and any other safety, security, regulatory or other requirements.

These resources are subject to change without notice. TI grants you permission to use these resources only for development of an application that uses the TI products described in the resource. Other reproduction and display of these resources is prohibited. No license is granted to any other TI intellectual property right or to any third party intellectual property right. TI disclaims responsibility for, and you fully indemnify TI and its representatives against any claims, damages, costs, losses, and liabilities arising out of your use of these resources.

TI's products are provided subject to [TI's Terms of Sale](#), [TI's General Quality Guidelines](#), or other applicable terms available either on [ti.com](#) or provided in conjunction with such TI products. TI's provision of these resources does not expand or otherwise alter TI's applicable warranties or warranty disclaimers for TI products. Unless TI explicitly designates a product as custom or customer-specified, TI products are standard, catalog, general purpose devices.

TI objects to and rejects any additional or different terms you may propose.

Copyright © 2026, Texas Instruments Incorporated

Last updated 10/2025