

# LOW $I_Q$ , SINGLE-BOOST, FIXED-VOLTAGE DUAL SYNCHRONOUS BUCK CONTROLLER

 Check for Samples: [TPS43337-Q1](#)

## FEATURES

- Qualified for Automotive Applications
- AEC-Q100 Qualified With the Following Results:
  - Device Temperature Grade 1:  $-40^{\circ}\text{C}$  to  $+125^{\circ}\text{C}$  Ambient Operating Temperature
  - Device HBM ESD Classification Level H2
  - Device CDM ESD Classification Level C2
- Two Synchronous Buck Controllers
- BuckA: Fixed Output Voltage of 3.4 V
- BuckB: Fixed Output Voltage of 1.235 V
- One Pre-Boost Controller
- Input Range up to 40 V, (Transients up to 60 V), Operation Down to 2 V When Boost Is Enabled
- Low-Power Mode  $I_Q$ : 34  $\mu\text{A}$  (One Buck On), 43  $\mu\text{A}$  (Two Bucks On)
- Low Shutdown Current  $I_{sh} < 4 \mu\text{A}$
- Boost Output Selectable: 7 V, 8.85 V, or 10 V
- Programmable Frequency and External Synchronization Range: 150 to 600 kHz
- Separate Enable Inputs (ENA, ENB, ENC)
- Selectable Forced Continuous Mode or Automatic Low-Power Mode at Light Loads
- Sense Resistor or Inductor DCR Sensing for Buck Controllers
- Out-of-Phase Switching Between Buck Channels

- Peak Gate Drive Current 1.5 A
- Thermally Enhanced 38-Pin HTSSOP (DAP) PowerPAD™ Package

## APPLICATIONS

- Automotive Start-Stop, Infotainment, Navigation Instrument Cluster Systems
- Industrial and Automotive Multi-Rail DC Power-Distribution Systems and Electronic Control Units

## DESCRIPTION

The TPS43337-Q1 includes two current-mode synchronous buck controllers and a voltage-mode boost controller. The device is ideally suited as a pre-regulator stage with low  $I_Q$  requirements and for systems that must survive supply drops due to cranking events. The integrated boost controller allows the device to operate down to 2 V at the input without seeing a drop on the buck regulator output stages. At light loads, the buck controllers enable to operate automatically in low power-mode, consuming just 34  $\mu\text{A}$  of quiescent current.

The buck controllers have independent soft-start capability and power-good indicators. Current foldback in the buck controllers and cycle-by-cycle current limitation in the boost controller provide external MOSFET protection. The switching frequency is programmable over 150 to 600 kHz or is synchronized to an external clock in the same range

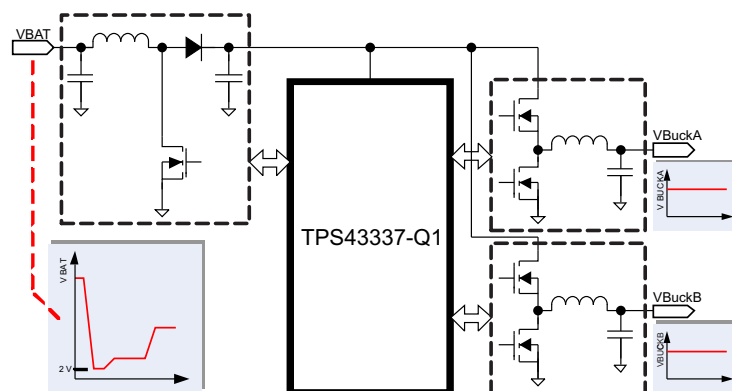


Figure 1. Typical Application Diagram



Please be aware that an important notice concerning availability, standard warranty, and use in critical applications of Texas Instruments semiconductor products and disclaimers thereto appears at the end of this data sheet.

PowerPAD is a trademark of Texas Instruments.



These devices have limited built-in ESD protection. The leads should be shorted together or the device placed in conductive foam during storage or handling to prevent electrostatic damage to the MOS gates.

**ABSOLUTE MAXIMUM RATINGS<sup>(1)</sup>**

		MIN	MAX	UNIT
Voltage	Input voltage: VIN, VBAT	-0.3	60	V
Voltage (buck function: BuckA and BuckB)	Enable inputs: ENA, ENB	-0.3	60	V
	Bootstrap inputs: CBA, CBB	-0.3	68	V
	Phase inputs: PHA, PHB	-0.7	60	V
	Phase inputs: PHA, PHB (for 150 ns)	-1		V
	Feedback inputs: FBA, FBB	-0.3	13	V
	Error amplifier outputs: COMPA, COMPB	-0.3	13	V
	High-side MOSFET driver: GA1–PHA, GB1–PHB	-0.3	8.8	V
	Low-side MOSFET drivers: GA2, GB2	-0.3	8.8	V
	Current-sense voltage: SA1, SA2, SB1, SB2	-0.3	13	V
	Soft start: SSA, SSB	-0.3	13	V
	Power-good output: PGA, PGB	-0.3	13	V
	Power-good delay: DLYAB	-0.3	13	V
	Switching-frequency timing resistor: RT	-0.3	13	V
	SYNC, EXTSUP	-0.3	13	V
Voltage (boost function)	Low-side MOSFET driver: GC1	-0.3	8.8	V
	Error amplifier output: COMPC	-0.3	13	V
	Enable input: ENC	-0.3	13	V
	Current-limit sense: DS	-0.3	60	V
	Output-voltage select: DIV	-0.3	8.8	V
Voltage (PMOS driver)	P-channel MOSFET driver: GC2	-0.3	60	V
	P-channel MOSFET driver: VIN–GC2	-0.3	8.8	V
	Gate-driver supply: VREG	-0.3	8.8	V
Temperature	Junction temperature: T <sub>J</sub>	-40	150	°C
	Operating temperature: T <sub>A</sub>	-40	125	°C
	Storage temperature: T <sub>S</sub>	-55	165	°C
Electrostatic discharge ratings	Human-body model (HBM) AEC-Q100 Classification Level H2	±2		kV
	Charged-device model (CDM) AEC-Q100 Classification Level C2	VBAT, ENC, SYNC, VIN		V
		All other pins		
	Machine model (MM)	PGA, PGB		
		All other pins		

(1) Stresses beyond those listed under *Absolute Maximum Ratings* may cause permanent damage to the device. These are stress ratings only, and functional operation of the device at these or any other conditions beyond those indicated under *Recommended Operating Conditions* is not implied. Exposure to absolute-maximum-rated conditions for extended periods may affect device reliability. All voltage values are with respect to GND.

**THERMAL INFORMATION**

THERMAL METRIC <sup>(1)</sup>		TPS43337-Q1	UNIT
		HTSSOP-DAP	
		38 PINS	
$\theta_{JA}$	Junction-to-ambient thermal resistance <sup>(2)</sup>	27.3	°C/W
$\theta_{JcTop}$	Junction-to-case (top) thermal resistance <sup>(3)</sup>	19.6	°C/W
$\theta_{JB}$	Junction-to-board thermal resistance <sup>(4)</sup>	15.9	°C/W
$\psi_{JT}$	Junction-to-top characterization parameter <sup>(5)</sup>	0.24	°C/W
$\psi_{JB}$	Junction-to-board characterization parameter <sup>(6)</sup>	6.6	°C/W
$\theta_{JcBot}$	Junction-to-case (bottom) thermal resistance <sup>(7)</sup>	1.2	°C/W

- (1) For more information about traditional and new thermal metrics, see the *IC Package Thermal Metrics* application report, [SPRA953](#).
- (2) The junction-to-ambient thermal resistance under natural convection is obtained in a simulation on a JEDEC-standard, high-K board, as specified in JESD51-7, in an environment described in JESD51-2a.
- (3) The junction-to-case (top) thermal resistance is obtained by simulating a cold plate test on the package top. No specific JEDEC-standard test exists, but a close description can be found in the ANSI SEMI standard G30-88.
- (4) The junction-to-board thermal resistance is obtained by simulating in an environment with a ring cold plate fixture to control the PCB temperature, as described in JESD51-8.
- (5) The junction-to-top characterization parameter,  $\psi_{JT}$ , estimates the junction temperature of a device in a real system and is extracted from the simulation data for obtaining  $\theta_{JA}$ , using a procedure described in JESD51-2a (sections 6 and 7).
- (6) The junction-to-board characterization parameter,  $\psi_{JB}$ , estimates the junction temperature of a device in a real system and is extracted from the simulation data for obtaining  $\theta_{JA}$ , using a procedure described in JESD51-2a (sections 6 and 7).
- (7) The junction-to-case (bottom) thermal resistance is obtained by simulating a cold plate test on the exposed (power) pad. No specific JEDEC standard test exists, but a close description can be found in the ANSI SEMI standard G30-88.

**RECOMMENDED OPERATING CONDITIONS**

		MIN	MAX	UNIT
Buck function: BuckA and BuckB voltage	Input voltage: VIN, VBAT	4	40	V
	Enable inputs: ENA, ENB	0	40	
	Boot inputs: CBA, CBB	4	48	
	Phase inputs: PHA, PHB	-0.6	40	
	Current-sense voltage: SA1, SA2, SB1, SB2	0	11	
	Power-good output: PGA, PGB	0	11	
	SYNC, EXTSUP	0	9	
Boost function	Enable input: ENC	0	9	V
	Voltage sense: DS		40	
	DIV	0	VREG	
	Operating Temperature: T <sub>A</sub>	-40	125	°C

## DC ELECTRICAL CHARACTERISTICS

V<sub>IN</sub> = 8 to 18 V, T<sub>J</sub> = -40°C to +150°C (unless otherwise noted)

NO.	PARAMETER	TEST CONDITIONS	MIN	TYP	MAX	UNIT		
<b>1.0 Input Supply</b>								
1.1	V <sub>BAT</sub>	Supply voltage	Boost controller enabled, after initial start-up condition is satisfied		2	40	V	
1.2	V <sub>IN</sub>	Input voltage required for device on initial start-up			6.5	40	V	
		Buck regulator operating range after initial start-up			4	40		
1.3	V <sub>IN UV</sub>	Buck undervoltage lockout	V <sub>IN</sub> falling. After a reset, initial start-up conditions may apply. <sup>(1)</sup>		3.5	3.6	3.8	V
			V <sub>IN</sub> rising. After a reset, initial start-up conditions may apply. <sup>(1)</sup>			3.8	4	V
1.4	V <sub>BOOST_UNLOCK</sub>	Boost unlock threshold	V <sub>BAT</sub> rising		8.2	8.5	8.8	V
1.5	I <sub>Q_LPM</sub>	LPM quiescent current: <sup>(2)</sup>	V <sub>IN</sub> = 13 V, BuckA: LPM, BuckB: off, T <sub>A</sub> = 25°C			34	46	μA
			V <sub>IN</sub> = 13 V, BuckB: LPM, BuckA: off, T <sub>A</sub> = 25°C					
			V <sub>IN</sub> = 13 V, BuckA, B: LPM, T <sub>A</sub> = 25°C			43	57	μA
1.6	I <sub>Q_LPM</sub>	LPM quiescent current: <sup>(2)</sup>	V <sub>IN</sub> = 13 V, BuckA: LPM, BuckB: off, T <sub>A</sub> = 125°C			44	56	μA
			V <sub>IN</sub> = 13 V, BuckB: LPM, BuckA: off, T <sub>A</sub> = 125°C					
			V <sub>IN</sub> = 13 V, BuckA and BuckB: LPM, T <sub>A</sub> = 125°C			53	67	μA
1.7	I <sub>Q_NRM</sub>	Quiescent current: normal (PWM) mode <sup>(2)</sup>	SYNC = 5 V, T <sub>A</sub> = 25°C					
			V <sub>IN</sub> = 13 V, BuckA: CCM, BuckB: off, T <sub>A</sub> = 25°C			4.85	5.3	mA
			V <sub>IN</sub> = 13 V, BuckB: CCM, BuckA: off, T <sub>A</sub> = 25°C					
			V <sub>IN</sub> = 13 V, BuckA and BuckB: CCM, T <sub>A</sub> = 25°C			7	7.6	
1.8	I <sub>Q_NRM</sub>	Quiescent current: normal (PWM) mode <sup>(2)</sup>	SYNC = 5 V, T <sub>A</sub> = 125°C					
			V <sub>IN</sub> = 13 V, BuckA: CCM, BuckB: off, T <sub>A</sub> = 125°C			5	5.5	mA
			V <sub>IN</sub> = 13 V, BuckB: CCM, BuckA: off, T <sub>A</sub> = 125°C					
			V <sub>IN</sub> = 13 V, BuckA, B: CCM, T <sub>A</sub> = 125°C			7.5	8	
1.9	I <sub>bat_sh</sub>	Shutdown current	BuckA and BuckB: off, V <sub>Bat</sub> = 13 V, T <sub>A</sub> = 25°C			2.5	4	
1.10	I <sub>bat_sh</sub>	Shutdown current	BuckA and BuckB: off, V <sub>Bat</sub> = 13 V, T <sub>A</sub> = 125°C			3	5	μA
1.11	V <sub>IN_LPMexit</sub>	V <sub>IN</sub> level to exit LPM	V <sub>IN</sub> falling		7.7	8	8.3	V
1.12	V <sub>IN_LPMentry</sub>	V <sub>IN</sub> level to enable entering LPM	V <sub>IN</sub> rising		8.2	8.5	8.8	V
1.13	V <sub>IN_LPMhys</sub>	Hysteresis	V <sub>IN</sub> rising or falling		0.4	0.5	0.6	V
<b>2.0 Input Voltage V<sub>BAT</sub> - Undervoltage Lockout</b>								
2.1	V <sub>BATUV</sub>	Boost-input undervoltage	V <sub>BAT</sub> falling. After a reset, initial start-up conditions may apply. <sup>(1)</sup>		1.8	1.9	2	V
			V <sub>BAT</sub> rising. After a reset, initial start-up conditions may apply. <sup>(1)</sup>		2.4	2.5	2.6	V
2.2	UVLO <sub>Hys</sub>	Hysteresis			500	600	700	mV
2.3	UVLO <sub>filter</sub>	Filter time				5		μs
<b>3.0 Input Voltage V<sub>IN</sub> - Overvoltage Lockout</b>								
3.1	V <sub>OVLO</sub>	Overvoltage shutdown	V <sub>IN</sub> rising		45	46	47	V
			V <sub>IN</sub> falling		43	44	45	
3.2	OVLO <sub>Hys</sub>	Hysteresis			1	2	3	V
3.3	OVLO <sub>filter</sub>	Filter time				5		μs

- (1) If V<sub>BAT</sub> and V<sub>REG</sub> remain adequate, the buck can continue to operate if V<sub>IN</sub> is > 3.8 V.
- (2) Quiescent current specification includes the current in the internal-feedback resistor divider.

**DC ELECTRICAL CHARACTERISTICS (continued)**

 VIN = 8 to 18 V, T<sub>J</sub> = –40°C to +150°C (unless otherwise noted)

NO.	PARAMETER	TEST CONDITIONS	MIN	TYP	MAX	UNIT		
<b>Boost Controller</b>								
4.1	V <sub>boost7-VIN</sub>	Boost V <sub>OUT</sub> = 7 V	DIV = low, V <sub>BAT</sub> = 2 to 7 V		6.8	7	7.3	V
4.2	V <sub>boost7-th</sub>	Boost-enable threshold	Boost V <sub>OUT</sub> = 7 V, V <sub>BAT</sub> falling		7.5	8	8.5	V
		Boost-disable threshold	Boost V <sub>OUT</sub> = 7 V, V <sub>BAT</sub> rising		8	8.5	9	
		Boost hysteresis	Boost V <sub>OUT</sub> = 7 V, V <sub>BAT</sub> rising or falling		0.4	0.5	0.6	
4.3	V <sub>boost10-VIN</sub>	Boost V <sub>OUT</sub> = 10 V	DIV = open, V <sub>BAT</sub> = 2 to 10 V		9.7	10	10.4	V
4.4	V <sub>boost10-th</sub>	Boost-enable threshold	Boost V <sub>OUT</sub> = 10 V, V <sub>BAT</sub> falling		10.5	11	11.5	V
		Boost-disable threshold	Boost V <sub>OUT</sub> = 10 V, V <sub>BAT</sub> rising		11	11.5	12	
		Boost hysteresis	Boost V <sub>OUT</sub> = 10 V, V <sub>BAT</sub> rising or falling		0.4	0.5	0.6	
4.5	V <sub>boost8.85-VIN</sub>	Boost V <sub>OUT</sub> = 8.85 V	DIV = V <sub>REG</sub> , V <sub>BAT</sub> = 2 to 8.85 V		8.35	8.85	9.35	V
4.6	V <sub>boost8.85-th</sub>	Boost-enable threshold	Boost V <sub>OUT</sub> = 8.85 V, V <sub>BAT</sub> falling		9.15	9.85	10.45	V
		Boost-disable threshold	Boost V <sub>OUT</sub> = 8.85 V, V <sub>BAT</sub> rising		9.65	10.35	10.85	
		Boost hysteresis	Boost V <sub>OUT</sub> = 8.85 V, V <sub>BAT</sub> rising or falling		0.4	0.5	0.6	
<b>Boost-Switch Current Limit</b>								
4.7	V <sub>DS</sub>	Current-limit sensing	DS input with respect to PGND		0.175	0.2	0.225	V
4.8	t <sub>DS</sub>	Leading-edge blanking			200		ns	
<b>Gate Driver for Boost Controller</b>								
4.9	I <sub>GC1 Peak</sub>	Gate-driver peak current			1.5		A	
4.10	r <sub>DS(on)</sub>	Source and sink driver	V <sub>REG</sub> = 5.8 V, IGC1 current = 200 mA		2		Ω	
<b>Gate Driver for PMOS</b>								
4.11	r <sub>DS(on)</sub>	PMOS OFF			10		20	Ω
4.12	I <sub>PMOS_ON</sub>	Gate current	V <sub>IN</sub> = 13.5 V, V <sub>gs</sub> = –5 V		10		mA	
4.13	t <sub>delay_ON</sub>	Turnon delay	C = 10 nF		5		10	μs
<b>Boost-Controller Switching Frequency</b>								
4.14	f <sub>sw-Boost</sub>	Boost switching frequency			f <sub>sw-Buck</sub> / 2		kHz	
4.15	D <sub>Boost</sub>	Boost duty cycle			90%			
<b>Error Amplifier (OTA) for Boost Converters</b>								
4.16	G <sub>mBOOST</sub>	Forward transconductance	V <sub>BAT</sub> = 12 V		0.8	1.35	mS	
			V <sub>BAT</sub> = 5 V		0.35	0.65		
<b>Buck Controllers</b>								
5.1a	V <sub>BuckA_NRM</sub>	Fixed output voltage in normal mode	Included resistor-feedback-divider, measured at FBA pin		3.345	3.396	3.447	V
5.1b	V <sub>BuckA_LPM</sub>	Fixed output in low-power mode			3.311	3.396	3.481	
5.2a	V <sub>BuckB_NRM</sub>	Fixed output voltage in normal mode	Included resistor-feedback-divider, measured at FBB pin		1.216	1.235	1.253	V
5.2b	V <sub>BuckB_LPM</sub>	Fixed output voltage in low-power mode			1.204	1.235	1.266	
5.4	V <sub>sense</sub>	V sense for forward-current limit in CCM	Measured across Sx1 and Sx2, FBx at 94% of typical value (low duty-cycle)		60	75	90	mV
5.5		V sense for reverse-current limit in CCM	Measured across Sx1 and Sx2, FBx at 125% of typical value		–65	–37.5	–23	mV
5.6	V <sub>I-Foldback</sub>	V sense for output short	Measured across Sx1 and Sx2, FBx = 0 V		17	32.5	48	mV
5.7	t <sub>dead</sub>	Shoot-through delay, blanking time			20		ns	
5.8	DC <sub>NRM</sub>	High-side minimum on-time			100		ns	
		Maximum duty cycle (digitally controlled)			98.75%			
5.9	DC <sub>LPM</sub>	Duty cycle, LPM			80%			

**DC ELECTRICAL CHARACTERISTICS (continued)**VIN = 8 to 18 V, T<sub>J</sub> = –40°C to +150°C (unless otherwise noted)

NO.	PARAMETER		TEST CONDITIONS	MIN	TYP	MAX	UNIT
5.10	I <sub>LPM_Entry</sub>	LPM entry-threshold load current as fraction of maximum set load current			1%	(3)	
	I <sub>LPM_Exit</sub>	LPM exit-threshold load current as fraction of maximum set load current		(3)	10%		
<b>High-Side External NMOS Gate Drivers for Buck Controller</b>							
5.11	I <sub>GX1_peak</sub>	Gate-driver peak current			1.5		A
5.12	r <sub>DS(on)</sub>	Source and sink driver	V <sub>REG</sub> = 5.8 V, I <sub>GX1</sub> current = 200 mA			2	Ω
<b>Low-Side NMOS Gate Drivers for Buck Controller</b>							
5.13	I <sub>GX2_peak</sub>	Gate driver peak current			1.5		A
5.14	R <sub>DS ON</sub>	Source and sink driver	V <sub>REG</sub> = 5.8 V, I <sub>GX2</sub> current = 200 mA			2	Ω
<b>Error Amplifier (OTA) for Buck Converters</b>							
5.15	G <sub>mBUCK</sub>	Transconductance	COMP <sub>A</sub> , COMP <sub>B</sub> = 0.8 V, source/sink = 5 μA, test in feedback loop	0.72	1	1.35	mS
6.0	<b>Digital Inputs: ENA, ENB, ENC, SYNC</b>						
6.1	V <sub>IH</sub>	Higher threshold	V <sub>IN</sub> = 13 V	1.7			V
6.2	V <sub>IL</sub>	Lower threshold	V <sub>IN</sub> = 13 V			0.7	V
6.3	R <sub>IH_SYNC</sub>	Pulldown resistance on SYNC	V <sub>SYNC</sub> = 5 V		500		kΩ
6.4	R <sub>IL_ENC</sub>	Pulldown resistance on ENC	V <sub>ENC</sub> = 5 V		500		kΩ
6.5	I <sub>IL_ENx</sub>	Pullup current source on ENA, ENB	V <sub>ENx</sub> = 0 V		0.5	2	μA
7.0	<b>Boost Output Voltage: DIV</b>						
7.1	V <sub>IH_DIV</sub>	Higher threshold	V <sub>REG</sub> = 5.8 V	V <sub>reg</sub> – 0.2			V
7.2	V <sub>IL_DIV</sub>	Lower threshold				0.2	V
7.3	V <sub>oZ_DIV</sub>	Voltage on DIV if unconnected	Voltage on DIV if unconnected		V <sub>reg</sub> / 2		V
8.0	<b>Switching Parameter – Buck DC-DC Controllers</b>						
8.1	f <sub>SW_Buck</sub>	Buck switching frequency	RT pin: GND	360	400	440	kHz
8.2	f <sub>SW_Buck</sub>	Buck switching frequency	RT pin: 60-kΩ external resistor	360	400	440	kHz
8.3	f <sub>SW_adj</sub>	Buck adjustable range with external resistor	RT pin: external resistor		150	600	kHz
8.4	f <sub>SYNC</sub>	Buck synchronization range	External clock input		150	600	kHz
9.0	<b>Internal Gate-Driver Supply</b>						
9.1	V <sub>REG</sub>	Internal regulated supply	V <sub>IN</sub> = 8 to 18 V, V <sub>EXTSUP</sub> = 0 V, SYNC = high	5.5	5.8	6.1	V
		Load regulation	I <sub>VREG</sub> = 0 to 100 mA, V <sub>EXTSUP</sub> = 0 V, SYNC = high		0.2%	1%	
9.2	V <sub>REG(EXTSUP)</sub>	Internal regulated supply	V <sub>EXTSUP</sub> = 8.5 V	7.2	7.5	7.8	V
		Load regulation	I <sub>EXTSUP</sub> = 0 to 125 mA, SYNC = High V <sub>EXTSUP</sub> = 8.5 to 13 V		0.2%	1%	
9.3	V <sub>EXTSUP-th</sub>	EXTSUP switch-over voltage threshold	I <sub>VREG</sub> = 0 to 100 mA, V <sub>EXTSUP</sub> ramping positive	4.4	4.6	4.8	V
9.4	V <sub>EXTSUP-Hys</sub>	EXTSUP switch-over hysteresis		150		250	mV
9.5	I <sub>REG-Limit</sub>	Current limit on VREG	V <sub>EXTSUP</sub> = 0 V, normal mode as well as LPM	100		400	mA
9.6	I <sub>REG_EXTSUP-Limit</sub>	Current limit on VREG when using EXTSUP	I <sub>VREG</sub> = 0 to 100 mA, V <sub>EXTSUP</sub> = 8.5 V, SYNC = High	125		400	mA
10.0	<b>Soft Start</b>						
10.1	I <sub>SSx</sub>	Soft-start source current	V <sub>SSA</sub> and V <sub>SSB</sub> = 0 V	40	50	60	μA
11.0	<b>Oscillator (RT)</b>						
11.1	V <sub>RT</sub>	Oscillator reference voltage			1.2		V

(3) The exit threshold specification must always higher than the entry threshold.

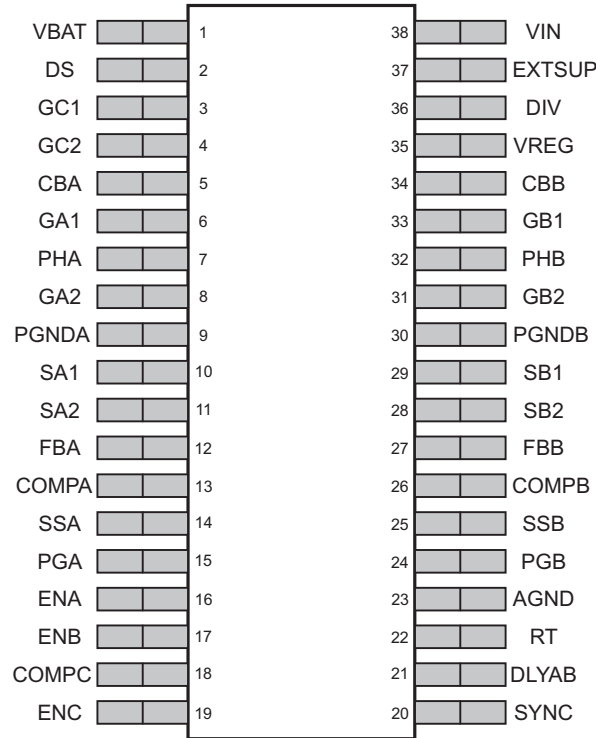
**DC ELECTRICAL CHARACTERISTICS (continued)**

 VIN = 8 to 18 V, T<sub>J</sub> = –40°C to +150°C (unless otherwise noted)

NO.	PARAMETER	TEST CONDITIONS	MIN	TYP	MAX	UNIT		
12.0	<b>Power Good / Delay</b>							
12.1a	PG <sub>thA</sub>	Power-good threshold	FBA falling	3.09	3.158	3.226	V	
12.1b	PG <sub>thB</sub>		FBB falling	1.124	1.148	1.173		
12.2	PG <sub>hys</sub>	Hysteresis	2%					
12.3	PG <sub>drop</sub>	Voltage drop	I <sub>PGA</sub> = 5 mA			450	mV	
12.4			I <sub>PGA</sub> = 1 mA			100	mV	
12.5	PG <sub>leak</sub>	Power-good leakage	Sx2 = PGx = 13 V			1	μA	
12.6	t <sub>deglitch</sub>	Power-good deglitch time				2	16	μs
12.7	t <sub>delay</sub>	Reset delay	External capacitor = 1 nF V <sub>BUCKx</sub> < PG <sub>thx</sub>		1		ms	
12.8	t <sub>delay_fix</sub>	Fixed reset delay	No external capacitor, pin open		20	50	μs	
12.9	I <sub>OH</sub>	Activate current source (current to charge external capacitor)			30	40	50	μA
12.10	I <sub>IL</sub>	Activate current sink (current to discharge external capacitor)			30	40	50	μA
13.0	<b>Overtemperature Protection</b>							
13.1	T <sub>shutdown</sub>	Junction-temperature shutdown threshold			150	165		°C
13.2	T <sub>hys</sub>	Junction-temperature hysteresis			15			°C

**DEVICE INFORMATION**

**DAP PACKAGE  
(TOP VIEW)**



**PIN FUNCTIONS**

NAME	NO.	I/O	DESCRIPTION
AGND	23	O	Analog ground reference
CBA	5	I	A capacitor on this pin acts as the voltage supply for the high-side N-channel MOSFET gate-drive circuitry in buck controller BuckA. When the buck is in a dropout condition, the device automatically reduces the duty cycle of the high-side MOSFET to approximately 95% on every fourth cycle to allow the capacitor to recharge.
CBB	34	I	A capacitor on this pin acts as the voltage supply for the high-side N-channel MOSFET gate-drive circuitry in buck controller BuckB. When the buck is in a dropout condition, the device automatically reduces the duty cycle of the high-side MOSFET to approximately 95% on every fourth cycle to allow the capacitor to recharge.
COMPA	13	O	Error-amplifier output of BuckA and compensation node for voltage-loop stability. The voltage at this node sets the target for the peak current through the inductor of BuckA. Clamping this voltage on the upper and lower ends provides current-limit protection for the external MOSFETs.
COMPB	26	O	Error-amplifier output of BuckB and compensation node for voltage-loop stability. The voltage at this node sets the target for the peak current through the inductor of BuckB. Clamping this voltage on the upper and lower ends provides current-limit protection for the external MOSFETs.
COMPC	18	O	Error-amplifier output and loop-compensation node of the boost regulator
DIV	36	I	The status of this pin defines the output voltage of the boost regulator. A high input regulates the boost converter at 8.85 V, a low input sets the value at 7 V, and a floating pin sets 10 V.
DLYAB	21	O	The capacitor at the DLYAB pin sets the power-good delay interval used to de-glitch the outputs of the power-good comparators. Leaving this pin open sets the power-good delay to an internal default value of 20 μs, typical.
DS	2	I	This input monitors the voltage on the external boost-converter low-side MOSFET for overcurrent protection. An alternative connection for better noise immunity is to place a sense resistor between the source of the low-side MOSFET and ground via a filter network.
ENA	16	I	Enable inputs for BuckA (active-high with an internal pullup current source). An input voltage higher than 1.5 V enables the controller, whereas an input voltage lower than 0.7 V disables the controller. When both ENA and ENB are low, the device shuts down and consumes less than 4 μA of current.



**PIN FUNCTIONS (continued)**

NAME	NO.	I/O	DESCRIPTION
ENB	17	I	Enable inputs for BuckB (active-high with an internal pullup current source). An input voltage higher than 1.5 V enables the controller, whereas an input voltage lower than 0.7 V disables the controller. When both ENA and ENB are low, the device shuts down and consumes less than 4 $\mu$ A of current.
ENC	19	I	This input enables and disables the boost regulator. An input voltage higher than 1.5 V enables the controller. Voltages lower than 0.7 V disable the controller. When enabled, the controller starts switching as soon as VBAT falls below the boost threshold, depending upon the programmed output voltage.
EXTSUP	37	I	One uses EXTSUP to supply the VREG regulator from one of the TPS43337-Q1 buck regulator rails to reduce power dissipation in cases where there is an expectation of high VIN. When EXTSUP is open or lower than 4.6 V, the regulator power comes from VIN.
FBA	12	I	Feedback voltage pin for BuckA. The buck controller regulates this feedback voltage to 3.4 V through the internal resistor-divider network. Connect FBA to the output voltage of BuckA.
FBB	27	I	Feedback voltage pin for BuckB. The buck controller regulates this feedback voltage to 1.235 V through the internal resistor-divider network. Connect FBB to the output voltage of BuckB.
GA1	6	O	This output drives an external high-side N-channel MOSFET for buck regulator BuckA. The output provides high peak currents to drive capacitive loads. The gate-drive reference is to a floating ground provided by PHA that has a voltage swing provided by CBA.
GA2	8	O	This output drives an external high-side N-channel MOSFET for buck regulator BuckA. The output provides high peak currents to drive capacitive loads. VREG provides the voltage swing on this pin.
GB1	33	O	This output drives an external high-side N-channel MOSFET for buck regulator BuckB. The output provides high peak currents to drive capacitive loads. The gate-drive reference is to a floating ground provided by PHB that has a voltage swing provided by CBB.
GB2	31	O	This output drives an external high-side N-channel MOSFET for buck regulator BuckB. The output provides high peak currents to drive capacitive loads. VREG provides the voltage swing on this pin.
GC1	3	O	This output drives an external low-side N-channel MOSFET for the boost regulator. This output provides high peak currents to drive capacitive loads. VREG provides the voltage swing on this pin.
GC2	4	O	This pin makes a floating output drive available to control the external P-channel MOSFET. This MOSFET bypasses the boost rectifier diode or a reverse-protection diode when the boost status is non-switching or disabled, and thus reduces power losses.
PGA	15	O	Open-drain power-good indicator pin for BuckA. An internal power-good comparator monitors the voltage at the feedback pin and pulls this output low when the output voltage falls below 93% of the set value, or if either VIN or VBAT drops below the respective undervoltage threshold.
PGB	24	O	Open-drain power-good indicator pin for BuckB. An internal power-good comparator monitors the voltage at the feedback pin and pulls this output low when the output voltage falls below 93% of the set value, or if either VIN or VBAT drops below the respective undervoltage threshold.
PGNDA	9	O	Power-ground connection to the source of the low-side N-channel MOSFETs of BuckA.
PGNDB	30	O	Power-ground connection to the source of the low-side N-channel MOSFETs of BuckB.
PHA	7	O	Switching terminal of buck regulator BuckA; provides a floating ground reference for the high-side MOSFET gate-driver circuitry and senses current reversal in the inductor when discontinuous-mode operation is desired.
PHB	32	O	Switching terminal of buck regulator BuckB; provides a floating ground reference for the high-side MOSFET gate-driver circuitry and senses current reversal in the inductor when discontinuous-mode operation is desired.
RT	22	O	Connecting a resistor to ground on this pin sets the operating switching frequency of the buck and boost controllers. A short circuit to ground on this pin defaults operation to 400 kHz for the buck controllers and 200 kHz for the boost controller.
SA1	10	I	High-impedance differential-voltage inputs from the current-sense element (sense resistor or inductor DCR) for each buck controller. Choose the current-sense element to set the maximum current through the inductor based on the current-limit threshold (subject to tolerances) and considering the typical characteristics across duty cycle and VIN. (SA1 positive node, SA2 negative node)
SA2	11	I	
SB1	29	I	High-impedance differential voltage inputs from the current-sense element (sense resistor or inductor DCR) for each buck controller. Choose the current-sense element to set the maximum current through the inductor based on the current-limit threshold (subject to tolerances) and considering the typical characteristics across duty cycle and VIN. (SB1 positive node, SB2 negative node)
SB2	28	I	
SSA	14	O	Soft-start or tracking input for buck controller BuckA. The buck controller regulates the FBA voltage to the lower of 0.8 V or the SSA pin voltage. An internal pullup current source of 50 $\mu$ A is present at the pin. Connect an appropriate capacitor here to set the soft-start ramp interval, or connect a resistor divider connected to another supply to provide a tracking input to this pin.
SSB	25	O	Soft-start or tracking input for buck controller BuckB. The buck controller regulates the FBA voltage to the lower of 0.8 V or the SSA pin voltage. An internal pullup current source of 50 $\mu$ A is present at the pin. Connect an appropriate capacitor here to set the soft-start ramp interval, or connect a resistor divider connected to another supply to provide a tracking input to this pin.

**PIN FUNCTIONS (continued)**

NAME	NO.	I/O	DESCRIPTION
SYNC	20	I	If an external clock is present on this pin, the device detects it, and the internal PLL locks on to the external clock. This overrides the internal oscillator frequency. The device can synchronize to frequencies from 150 kHz to 600 kHz. A high logic level on this pin ensures forced continuous-mode operation of the buck controllers and inhibits transition to low-power mode. An open or low allows discontinuous-mode operation and entry into low-power mode at light loads.
VBAT	1	I	Battery input sense for the boost controller. With the boost controller enabled, if the voltage at VBAT falls below the boost threshold, the device activates the boost controller and regulates the voltage at VIN to the programmed boost output voltage.
VIN	38	I	Main input pin. This is the buck controller input pin as well as the output of the boost regulator. Additionally, VIN powers the internal control circuits of the device.
VREG	35	O	This pin requires an external capacitor to provide a regulated supply for the gate drivers of the buck and boost controllers. TI recommends a capacitance on the order of 4.7 $\mu$ F. Either VIN or EXTSUP can power the regulator. This pin has current-limit protection, so do not use it to drive any other loads.

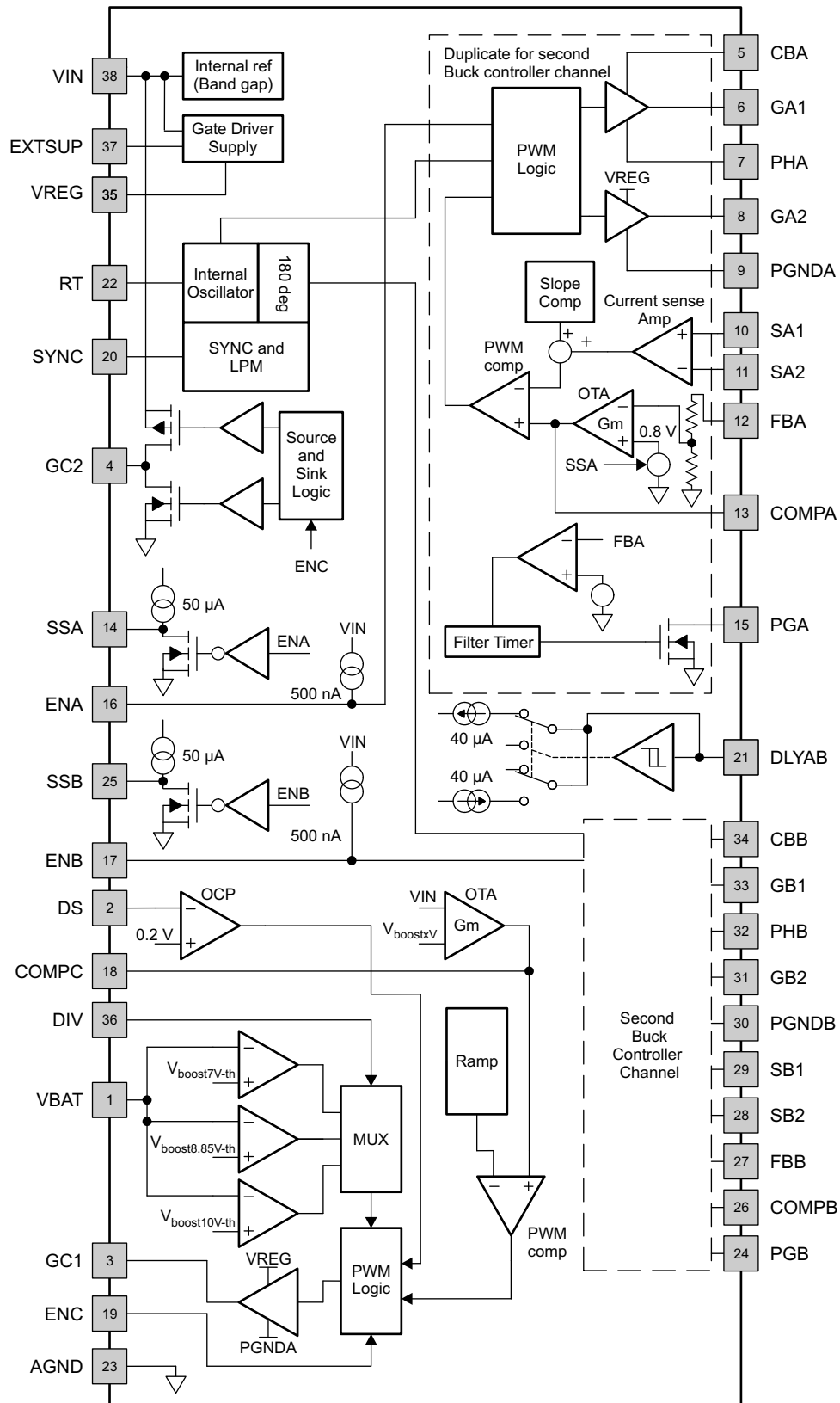


Figure 2. Functional Block Diagram

TYPICAL CHARACTERISTICS

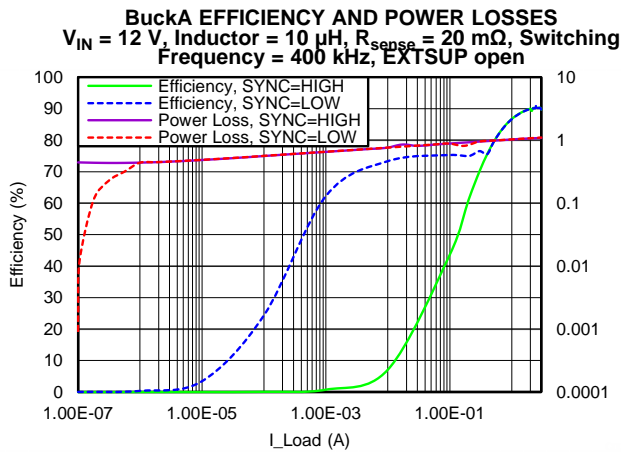


Figure 3.

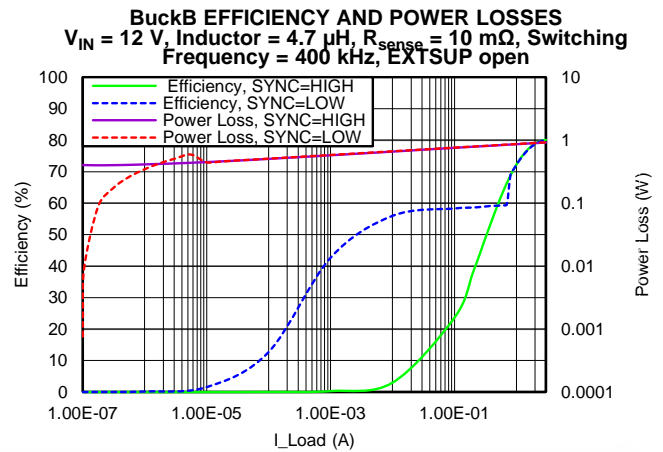


Figure 4.

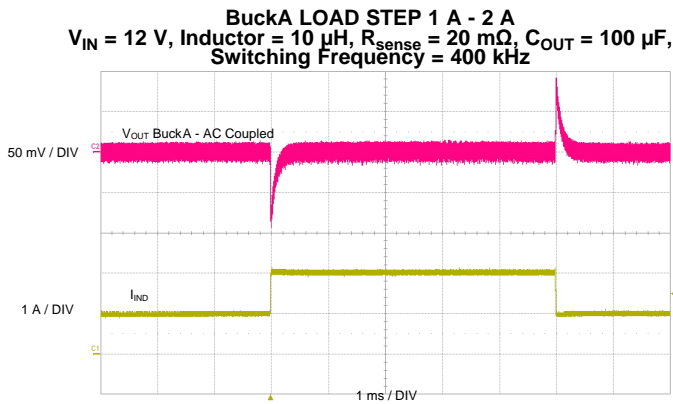


Figure 5.

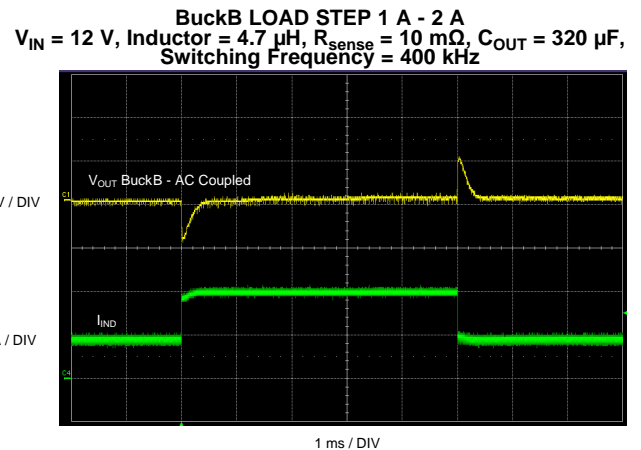


Figure 6.

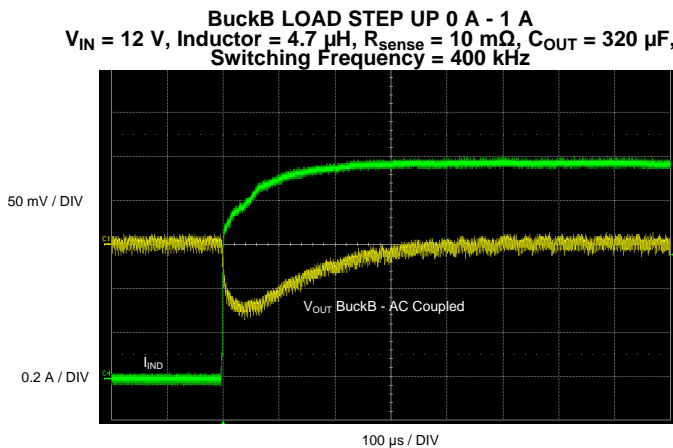


Figure 7.

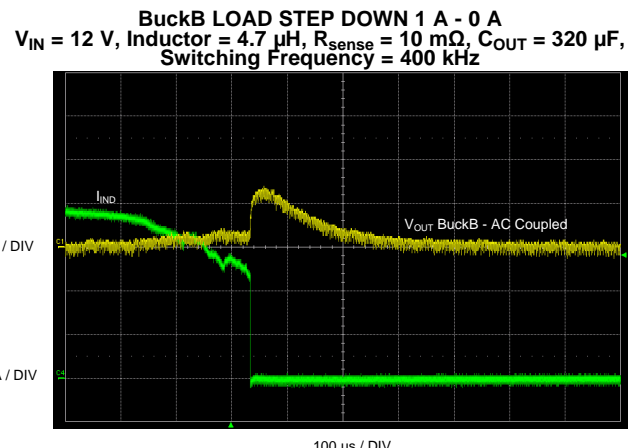


Figure 8.

TYPICAL CHARACTERISTICS (continued)

SOFT-START OUTPUTS  
BuckA and BuckB

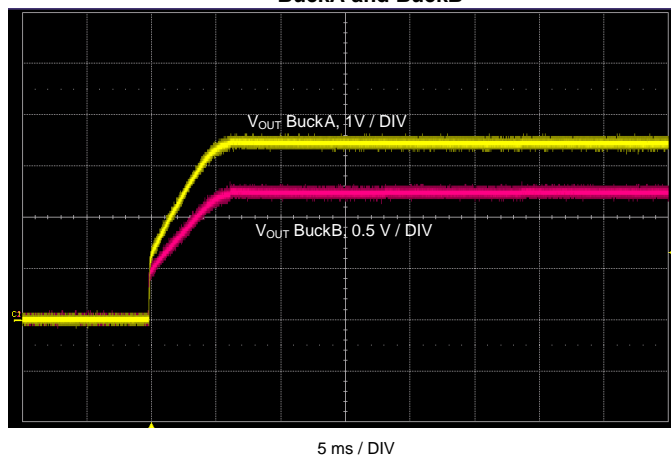


Figure 9.

$V_{IN}$  (BOOST OUTPUT) = 10 V, SWITCHING FREQUENCY = 200 kHz,  
INDUCTOR = 1  $\mu$ H,  $R_{SENSE}$  = 7.5 m $\Omega$

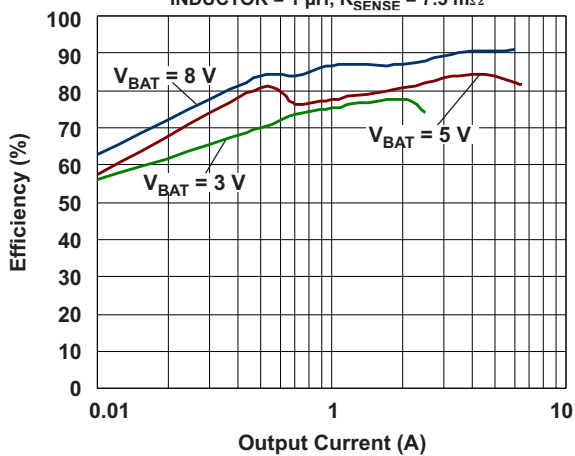


Figure 10.

$V_{BAT}$  (BOOST INPUT) = 5 V,  $V_{IN}$  (BOOST OUTPUT) = 10 V,  
SWITCHING FREQUENCY = 200 kHz, INDUCTOR = 1  $\mu$ H,  
 $R_{SENSE}$  = 7.5 m $\Omega$ ,  $C_{IN}$  = 440  $\mu$ F,  $C_{OUT}$  = 660  $\mu$ F

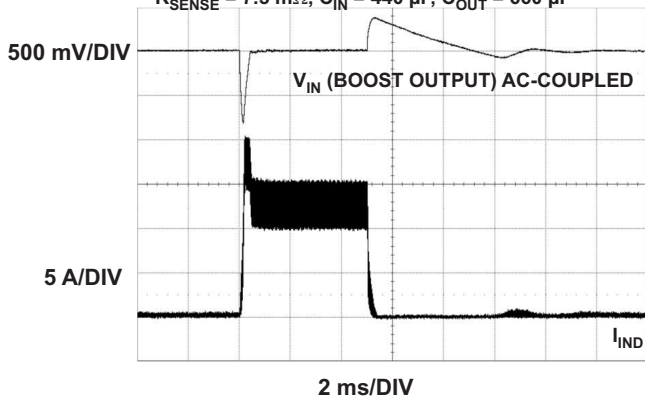


Figure 11.

$V_{IN}$  (BOOST OUTPUT) = 10 V, BuckA = 5 V AT 1.5 A,  
BuckB = 3.3 V AT 3.5 A, SWITCHING FREQUENCY = 200 kHz,  
INDUCTOR = 1  $\mu$ H,  $R_{SENSE}$  = 7.5 m $\Omega$ ,  $C_{IN}$  = 440  $\mu$ F,  $C_{OUT}$  = 660  $\mu$ F

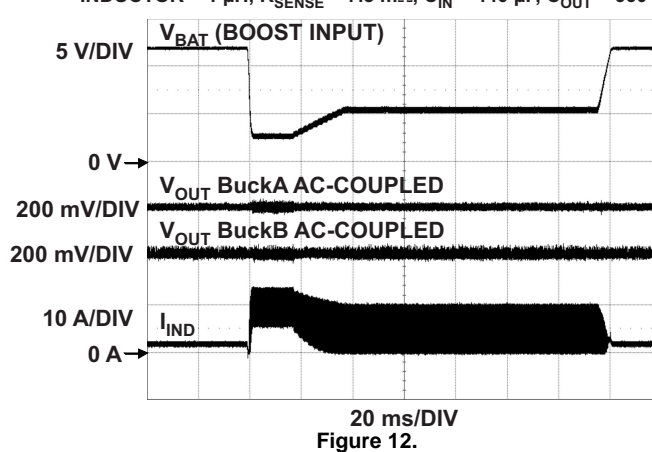


Figure 12.

$V_{IN}$  (BOOST OUTPUT) = 10 V, BuckA = 5 V AT 1.5 A,  
BuckB = 3.3V AT 3.5A, SWITCHING FREQUENCY = 200 kHz,  
INDUCTOR = 1  $\mu$ H,  $R_{SENSE}$  = 7.5 m $\Omega$ ,  $C_{IN}$  = 440  $\mu$ F,  $C_{OUT}$  = 660  $\mu$ F

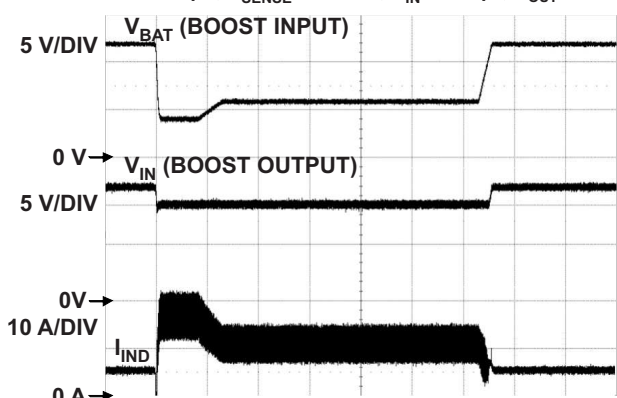


Figure 13.

$V_{BAT}$  (BOOST INPUT) = 5 V,  $V_{IN}$  (BOOST OUTPUT) = 10 V,  
SWITCHING FREQUENCY = 200 kHz, INDUCTOR = 1  $\mu$ H,  
 $R_{SENSE}$  = 7.5 m $\Omega$ ,  $C_{IN}$  = 440  $\mu$ F,  $C_{OUT}$  = 660  $\mu$ F

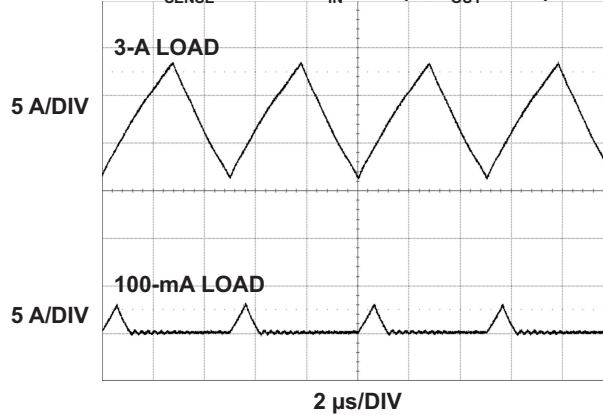


Figure 14.

TYPICAL CHARACTERISTICS (continued)

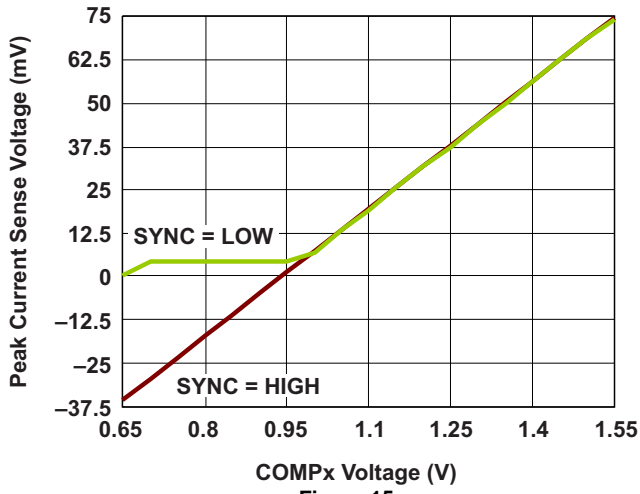


Figure 15.

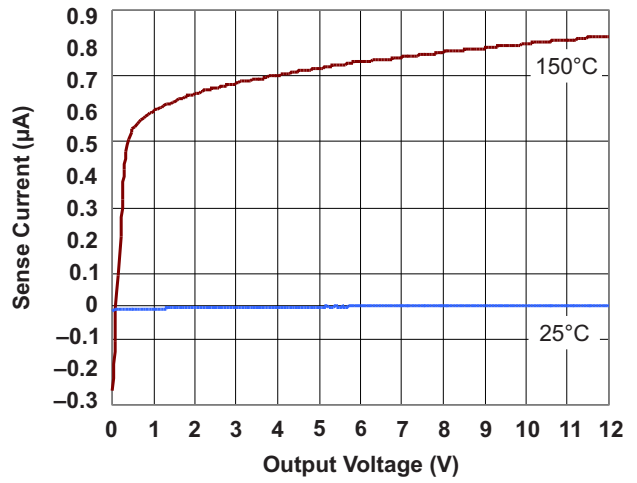


Figure 16.

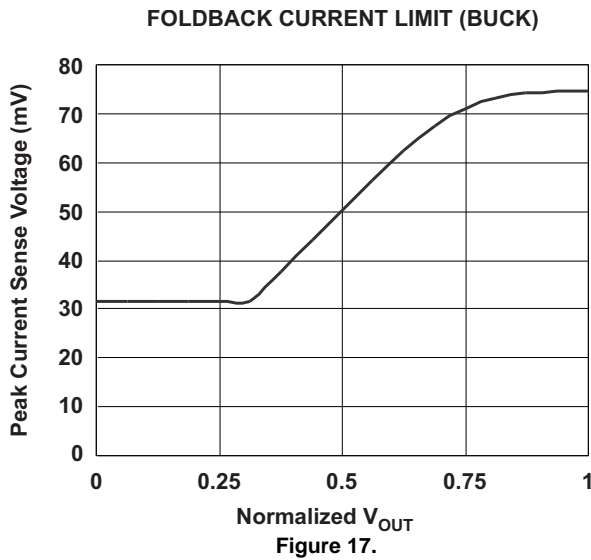


Figure 17.

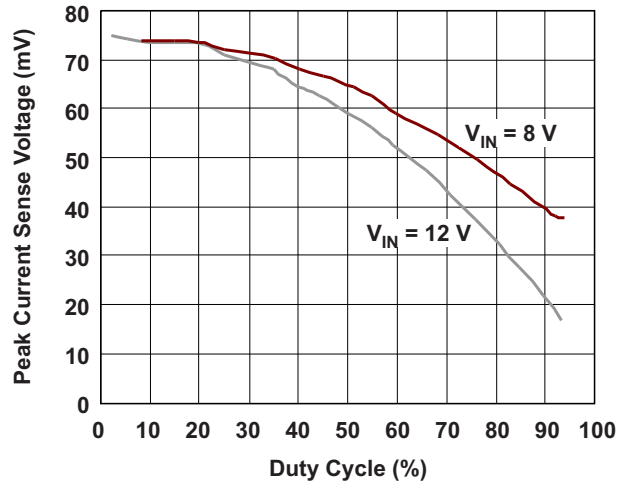


Figure 18.

## DETAILED DESCRIPTION

### BUCK CONTROLLERS: NORMAL-MODE PWM OPERATION

#### Frequency Selection and External Synchronization

The buck controllers operate using constant-frequency peak-current-mode control for optimal transient behavior and ease of component choices. The switching frequency is programmable between 150 kHz and 600 kHz, depending upon the resistor value at the RT pin. A short circuit to ground at this pin sets the default switching frequency to 400 kHz. The frequency is also set by a resistor at RT according to [Equation 1](#).

$$f_{\text{SW}} = \frac{X}{RT} \quad (X = 24 \text{ k}\Omega \times \text{MHz})$$

$$f_{\text{SW}} = 24 \times \frac{10^9}{RT} \quad (1)$$

For example,

600 kHz requires 40 k $\Omega$ .

150 kHz requires 160 k $\Omega$ .

Synchronizing to an external clock at the SYNC pin in the same frequency range of 150 to 600 kHz is also possible. The device detects clock pulses at this pin, and an internal PLL locks on to the external clock within the specified range. The device also detects a loss of clock at this pin, and on detecting this loss, the device sets the switching frequency to the internal oscillator. The two buck controllers operate at identical switching frequencies, 180 degrees out of phase.

#### Enable Inputs

Independent enable inputs from the ENA and ENB pins enable the buck controllers. These are high-voltage pins, with a threshold of 1.5 V for high level, and with direct connection directly to the battery for self-bias. The low threshold is 0.7 V. Both these pins have internal pullup currents of 0.5  $\mu\text{A}$  (typical). As a result, an open circuit on these pins enables the respective buck controllers. When both buck controllers are disabled, the device shuts down and consumes a current less than 4  $\mu\text{A}$ .

#### Feedback Inputs

An internal voltage divider presets the output voltage. Connect each FBx pin to the output of the respective regulator of the pin.

#### Soft-Start Inputs

In order to avoid large inrush currents, each buck controller has an independent, programmable soft-start timer. The voltage at the SSx pins acts as the soft-start reference voltage. A 50- $\mu\text{A}$  pullup current available at the SSx pins, in combination with a suitably chosen capacitor, generates a ramp of the desired soft-start speed. After start-up, the pullup current ensures that this node is higher than the internal reference of 0.8 V; 0.8 V then becomes the reference for the buck controllers. [Equation 2](#) calculates the soft-start ramp time.

$$C_{\text{SS}} = \frac{I_{\text{SS}} \times \Delta t}{\Delta V} \quad (\text{Farads})$$

where,

- $I_{\text{SS}} = 50 \mu\text{A}$  (typical)
- $\Delta V = 0.8 \text{ V}$
- $C_{\text{SS}}$  is the required capacitor for  $\Delta t$ , the desired soft-start time. (2)

Alternatively, the soft-start pins are used as tracking inputs. In this case, connect these pins to the supply to be tracked via a suitable resistor-divider network.

## Current-Mode Operation

Peak-current-mode control regulates the peak current through the inductor to maintain the output voltage at the set value. The error between the feedback voltage at FBx and the internal voltage divider produces a signal at the output of the error amplifier (COMPx), which serves as the target for the peak inductor current. The device senses the current through the inductor as a differential voltage at Sx1–Sx2 and compares the voltage with this target during each cycle. A fall or rise in load current produces a fall or rise in voltage at FBx, causing COMPx to fall or rise respectively, thus increasing or decreasing the current through the inductor until the average current matches the load. This process maintains the output voltage in regulation.

The top N-channel MOSFET turns on at the beginning of each clock cycle and stays on until the inductor current reaches the peak value. When this MOSFET turns off, and after a small delay (shoot-through delay), the lower N-channel MOSFET turns on until the start of the next clock cycle. In dropout operation, the high-side MOSFET stays on continuously. In every fourth clock cycle, there is a limit on the duty cycle of 95% in order to charge the bootstrap capacitor at CBx, which allows a maximum duty cycle of 98.75% for the buck regulators. During dropout, the buck regulator switches at one-fourth of its normal frequency.

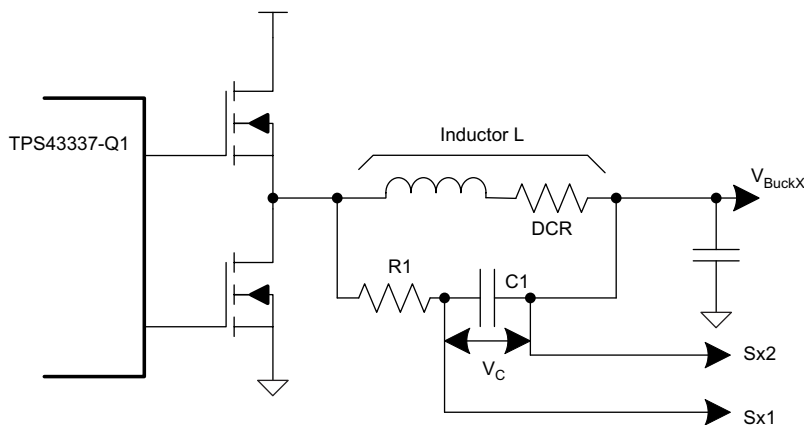
## Current Sensing and Current Limit With Foldback

Clamping of the maximum value of COMPx is such as to limit the maximum current through the inductor to a specified value. When the output of the buck regulator (and hence the feedback value at FBx) falls to a low value due to a short-circuit or overcurrent condition, the clamped voltage at COMPx successively decreases, thus providing current foldback protection, which protects the high-side external MOSFET from excess current (forward-direction current limit).

Similarly, if due to a fault condition the output is shorted to a high voltage and the low-side MOSFET turns fully on, the COMPx node drops low. A clamp is on the lower end as well, in order to limit the maximum current in the low-side MOSFET (reverse-direction current limit).

An external resistor senses the current through the inductor. Choose the sense resistor such that the maximum forward-peak current in the inductor generates a voltage of 75 mV across the sense pins. This specified typical value is for low duty cycles only. At typical duty-cycle conditions around 28% (assuming 3.4 V output and 12 V input), 55 mV is a more reasonable value, considering tolerances and mismatches. The typical characteristics (see [Figure 18](#)) provide a guide for using the correct current-limit sense voltage.

The current-sense pins Sx1 and Sx2 are high-impedance pins with low leakage across the entire output range, thus allowing DCR current sensing using the dc resistance of the inductor for higher efficiency. [Figure 19](#) shows DCR sensing. Here, the series resistance (DCR) of the inductor is the sense element. Place the filter components close to the device for noise immunity. Remember that while the DCR sensing gives high efficiency, it is inaccurate due to the temperature sensitivity and a wide variation of the parasitic inductor series resistance. Hence using the more-accurate sense resistor for current sensing is advantageous.



**Figure 19. DCR Sensing Configuration**



## Slope Compensation

Optimal slope compensation, which is adaptive to changes in input voltage and duty cycle, allows stable operation at all conditions. For optimal performance of this circuit, choose the inductor and sense resistor according to [Equation 3](#).

$$\frac{L \times f_{sw}}{R_s} = 200$$

where

- L is the buck regulator inductor in henries.
- $R_s$  is the sense resistor in ohms.
- $f_{sw}$  is the buck regulator switching frequency in hertz. (3)

## Power-Good Outputs and Filter Delays

Each buck controller has an independent power-good comparator monitoring the feedback voltage at the FBx pins and indicating whether the output voltage has fallen below a specified power-good threshold. This threshold has a typical value of 93% of the regulated output voltage. The power-good indicator is available as an open-drain output at the PGx pins. Shutdown of a buck controller causes an internal pulldown of the power-good indicator. Connecting the external pullup resistor to a rail other than the output of that particular buck channel causes a constant current flow through the external resistor during a powered-down state of the buck controller.

In order to avoid triggering the power-good indicators due to noise or fast transients on the output voltage, the device uses an internal delay circuit for de-glitching. Similarly, when the output voltage returns to the set value after a long negative transient, assertion of the power-good indicator (release of the open-drain pin) occurs after the same delay. Use of this delay can pause the reset of circuits powered from the buck regulator rail. Program the delay of this circuit by using a suitable capacitor at the DLYAB pin according to [Equation 4](#).

$$\frac{t_{DELAY}}{C_{DLYAB}} = \frac{1 \text{ msec}}{1 \text{ nF}} \quad (4)$$

When the DLYAB pin is open, the delay is set to a default value of 20  $\mu$ s (typical). The power-good delay timing is common to both the buck rails, but the power-good comparators and indicators function independently.

## Light-Load PFM Mode

An external clock or a high level on the SYNC pin results in forced continuous-mode operation of the bucks. When the SYNC pin is low or open, the buck controllers are allowed to operate in discontinuous mode at light loads by turning off the low-side MOSFET whenever a zero-crossing in the inductor current is detected.

In discontinuous mode, as the load decreases, the duration of the clock-period when both the high-side as well the low-side MOSFET is turned-off, increases (deep discontinuous mode). In case the duration exceeds 60% of the clock period and  $V_{BAT} > 8 \text{ V}$ , the buck controller switches to a low-power operation mode. The design ensures that this typically occurs at 1% of the set full-load current if the inductor and the sense resistor have been chosen appropriately as recommended in the [Slope Compensation](#) section.

In low-power PFM mode, the buck monitors the FBx voltage and compares it with the 0.8 V internal reference voltage through the internal voltage divider. Whenever the FBx value falls below the internal threshold, the high-side MOSFET is turned on for a pulse duration inversely proportional to the difference  $V_{IN} - Sx2$ . At the end of this on-time, the high-side MOSFET is turned off and the current in the inductor decays until it becomes zero. The low-side MOSFET is not turned on. The next pulse occurs the next time FBx falls below the threshold value which results in a constant volt-second  $t_{on}$  hysteretic operation with a total-device quiescent-current consumption of 34  $\mu$ A when a single buck channel is active and 43  $\mu$ A when both channels are active.

As the load increases, the pulses become more and more frequent and move closer to each other until the current in the inductor becomes continuous. At this point, the buck controller returns to normal fixed-frequency current-mode control. Another criterion to exit the low-power mode is when  $V_{IN}$  falls low enough to require higher than 80% duty cycle of the high-side MOSFET.

During low-power mode, the TPS43337-Q1 supports the full-current load until the transition to normal mode takes place. The design ensures the low-power-mode exit occurs at 10% (typical) of full-load current if the inductor and sense resistor have been chosen as recommended. Moreover, there is always a hysteresis between the entry and exit thresholds to avoid oscillating between the two modes.

In the event that both buck controllers are active, low-power mode is only possible when both buck controllers have light loads that are low enough for entry into low-power mode. When the boost controller is enabled, low-power mode is possible only if VBAT is high enough to prevent the boost from switching and if DIV is open or set to GND. If DIV is high (VREG), low-power mode is inhibited.

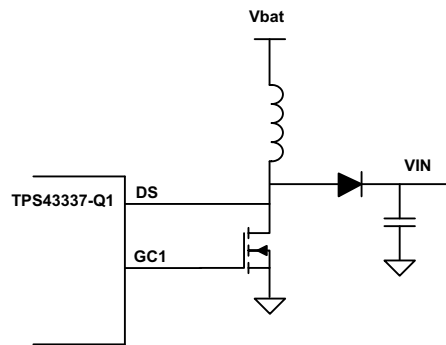
**Boost Controller**

The boost controller has a fixed-frequency voltage-mode architecture and includes a cycle-by-cycle current-limit protection for the external N-channel MOSFET. The switching frequency is derived from and set to one-half of the buck-controller switching frequency. The output voltage of the boost controller at the VIN pin is set by an internal resistor-divider network and is programmable to 7 V, 8.85 V, and 10 V based on the low, open, and high status of the DIV pin, respectively. A change of the DIV setting is not recognized while the device is in low-power mode.

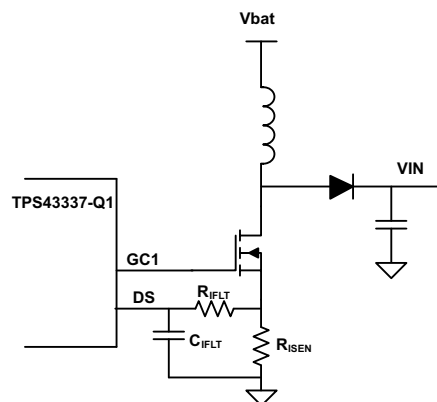
The boost controller is enabled by the active-high ENC pin and is active when the input voltage at the VBAT pin has crossed the unlock threshold of 8.5 V at least once. After that, the boost controller is armed and starts switching as soon as VIN falls below the value set by the DIV pin, and regulates the VIN voltage. Thus, the boost regulator maintains a stable input voltage for the buck regulators during transient events such as a cranking pulse at VBAT.

Whenever the voltage at the DS pin exceeds 200 mV, the boost-external MOSFET is turned off by pulling the CG1 pin low. By connecting the DS pin to the drain of the MOSFET or to a sense resistor between the MOSFET source and ground, cycle-by-cycle overcurrent protection for the MOSFET can be achieved. The on-resistance of the MOSFET or the value of the sense resistor must be chosen in such a way that the on-state voltage at DS does not exceed 200 mV at the maximum load and minimum input-voltage conditions. When a sense resistor is used, connecting a filter network between the DS pin and the sense resistor is recommended for better noise immunity.

The boost output (VIN) is also used to supply other circuits in the system, however, they should be high-voltage tolerant. The boost output is regulated to the programmed value only when VIN is low, and so VIN can reach battery levels.



**Figure 20. External Drain-Source Voltage Sensing**



**Figure 21. External Current Shunt Resistor**

**Table 1. Mode Control**

SYNC Terminal	Comments
External clock	Device is forced into continuous mode, internal PLL locks into the external clock between 150 kHz and 600 kHz
Low or open	Device can enter discontinuous mode. Automatic LPM entry and exit, depending on load conditions
High	Device is forced into continuous mode

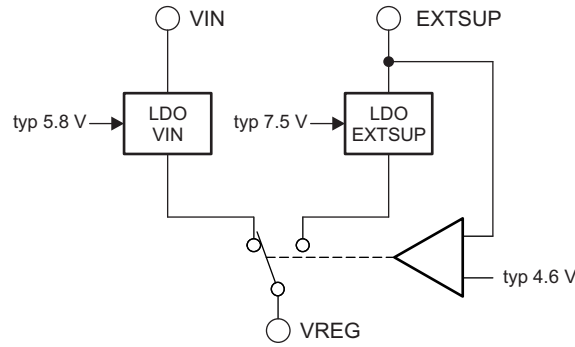
**Table 2. Mode of Operation**

ENABLE AND INHIBIT PINS				DRIVER STATUS		DEVICE STATUS	QUIESCENT CURRENT
ENA	ENB	ENC	SYNC	BUCK CONTROLLERS	BOOST CONTROLLER		
Low	Low	Low	X	Shutdown	Disabled	Shutdown	Approximately 4 $\mu$ A
Low	High	Low	Low	BuckB running	Disabled	BuckB: LPM enabled	Approximately 34 $\mu$ A (light loads)
			High			BuckB: LPM inhibited	mA range
High	Low	Low	Low	BuckA running	Disabled	BuckA: LPM enabled	Approximately 34 $\mu$ A (light loads)
			High			BuckA: LPM inhibited	mA range
High	High	Low	Low	BuckA and BuckB running	Disabled	BuckA and BuckB: LPM enabled	Approximately 43 $\mu$ A (light loads)
			High			BuckA and BuckB: LPM inhibited	mA range
Low	Low	Low	X	Shutdown	Disabled	Shutdown	Approximately 4 $\mu$ A
Low	High	High	Low	BuckB running	Boost running for VIN < set boost output	BuckB: LPM enabled	Approximately 54 $\mu$ A (no boost, light loads)
			High			BuckB: LPM inhibited	mA range
High	Low	High	Low	BuckA running	Boost running for VIN < set boost output	BuckA: LPM enabled	Approximately 54 $\mu$ A (no boost, light loads)
			High			BuckA: LPM inhibited	mA range
High	High	High	Low	BuckA and BuckB running	Boost running for VIN < set boost output	BuckA and BuckB: LPM enabled	Approximately 68 $\mu$ A (no boost, light loads)
			High			BuckA and BuckB: LPM inhibited	mA range

### Gate Driver Supply (VREG, EXTSUP)

The gate drivers of the buck and boost controllers are supplied from an internal linear regulator whose output (5.8 V, typical) is available at the VREG pin and requires decoupling with a ceramic capacitor in the range of 3.3  $\mu$ F to 10  $\mu$ F. This pin has internal current-limit protection and should not be used to power any other circuits.

The VREG linear regulator is powered from VIN by default when the EXTSUP voltage is lower than 4.6 V (typical). In case VIN is expected to go to high levels, there can be excessive power dissipation in this regulator, especially at high switching frequencies and when using large external MOSFETs. In this case, powering this regulator from the EXTSUP pin is advantageous, which can be connected to a supply lower than VIN but high enough to provide the gate drive. When EXTSUP is connected to a voltage greater than 4.6 V, the linear regulator automatically switches to EXTSUP as its input to provide this advantage. Efficiency improvements are possible when one of the switching regulator rails from the TPS43337-Q1 or any other voltage available in the system is used to power EXTSUP. The maximum voltage that should be applied to EXTSUP is 9 V.



**Figure 22. Internal Gate-Driver Supply**

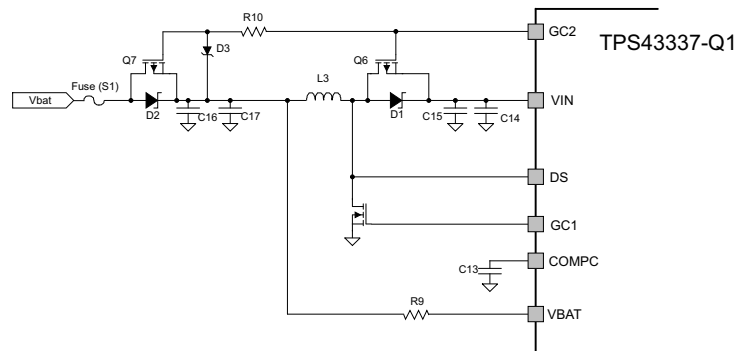
Using a voltage above 5.8 V (sourced by VIN) for EXTSUP is advantageous as it provides a large gate drive and therefore better on-resistance of the external MOSFETs.

During low-power mode, the EXTSUP functionality is not available. The internal regulator operates as a shunt regulator powered from VIN and has a typical value of 7.5 V. Current-limit protection for VREG is available in low-power mode as well. If EXTSUP is unused, leave the pin open without a capacitor installed.

**External P-Channel Drive (GC2) and Reverse Battery Protection**

The TPS43337-Q1 includes a gate driver for an external P-channel MOSFET, which can be connected across the rectifier diode of the boost regulator which is useful to reduce power losses when the boost controller is not switching. The gate driver provides a swing of 6 V typical below the VIN voltage in order to drive a P-channel MOSFET. When VBAT falls below the boost enable threshold, the gate driver turns off the P-channel MOSFET, and the diode is no longer bypassed.

The gate driver can also be used to bypass any additional protection diodes connected in series as shown in Figure 23. Figure 24 also shows a different scheme of reverse battery protection which may require only a smaller-sized diode to protect the N-channel MOSFET, as the diode conducts only for a part of the switching cycle. Because the diode is not always in the series path, the system efficiency improves.



**Figure 23. Reverse-Battery-Protection Option for Buck-Boost Configuration**

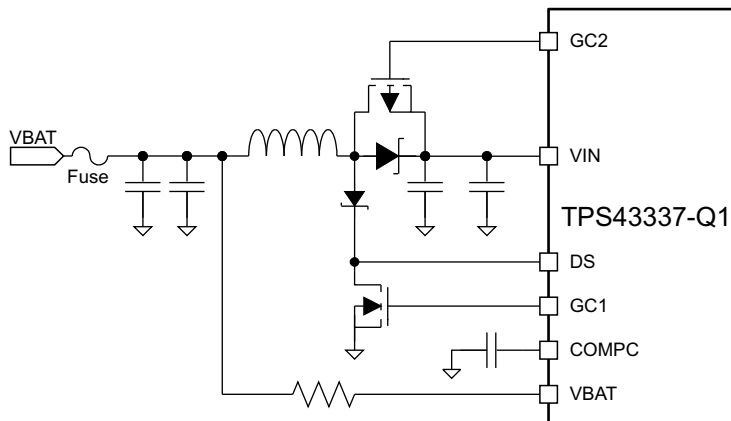


Figure 24. Reverse-Battery-Protection Option for Buck-Boost Configuration

### Undervoltage Lockout and Overvoltage Protection

The TPS43337-Q1 starts up at a  $V_{IN}$  voltage of 6.5 V (minimum), required for the internal supply (VREG). Once the has started up, it operates down to a  $V_{IN}$  voltage of 3.6 V; below this voltage level, the undervoltage lockout disables the device.

#### NOTE

If  $V_{IN}$  drops,  $V_{REG}$  drops as well, reducing the gate-drive voltage, while the digital logic remains fully functional. Even if ENC is high, exceeding the boost-unlock voltage of typically 8.5 V one time is required before boost activation takes place (see the [Boost Controller](#) section).

A voltage of 46 V at  $V_{IN}$  triggers the overvoltage comparator, which shuts down the device. In order to prevent transient spikes from shutting down the device, the undervoltage and overvoltage protection have filter times of 5  $\mu$ s (typical).

When the voltages return to the normal-operating region, the enabled switching regulators start including a new soft-start ramp for the buck regulators.

When the boost controller is enabled, a voltage less than 1.9 V (typical) on  $V_{BAT}$  triggers an undervoltage lockout and pulls the boost gate driver (GC1) low (this action has a filter delay of 5  $\mu$ s, typical). As a result,  $V_{IN}$  falls at a rate dependent on the capacitor and load, eventually triggering  $V_{IN}$  undervoltage. A short falling transient at  $V_{BAT}$  even lower than 2 V can thus be survived, if  $V_{BAT}$  returns above 2.5 V before  $V_{IN}$  is discharged to the undervoltage threshold.

### Thermal Protection

The TPS43337-Q1 protects itself from overheating using an internal thermal shutdown circuit. If the die temperature exceeds the thermal shutdown threshold of 165°C due to excessive power dissipation (for example, due to fault conditions such as a short circuit at the gate drivers or VREG), the controllers are turned off, and then restarted when the temperature has fallen by 15°C.

**APPLICATION INFORMATION**

The following example illustrates the design process and component selection for the TPS43337-Q1. The design goal parameters are given in [Table 3](#).

**Table 3. Design Goal Parameters Example**

PARAMETER	V <sub>BUCKA</sub>	V <sub>BUCKB</sub>	BOOST
Input voltage	V <sub>IN</sub> 6 to 30 V 12 V - typical	V <sub>IN</sub> 6 to 30 V 12 V - typical	V <sub>BAT</sub> = 5 (cranking pulse input) to 30 V
Output voltage, V <sub>OUTx</sub>	3.396 V	1.235 V	10 V
Maximum output current, I <sub>OUTx</sub>	3 A	2 A	2.5 A
Load step output tolerance, ΔV <sub>OUT</sub> + ΔV <sub>OUT(Ripple)</sub>	±0.2 V	±0.12 V	±0.5 V
Current output load step, ΔI <sub>OUTx</sub>	0.1 to 3 A	0.1 to 2 A	0.1 to 2.5 A
Converter switching frequency, f <sub>SW</sub>	400 kHz	400 kHz	200 kHz

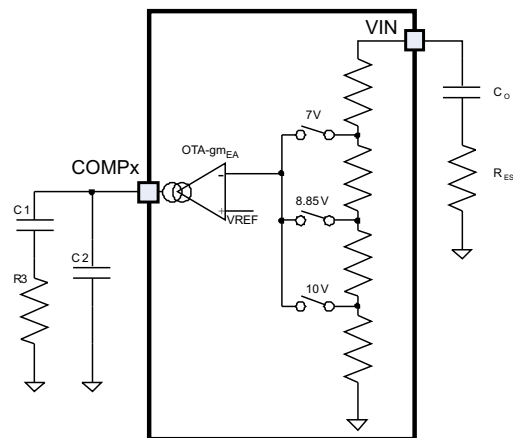
This example is a starting point and theoretical representation of the values to be used for the application; further optimization of the components derived may be required to improve the performance of the device.

**Boost Component Selection**

A boost converter operating in continuous-conduction mode (CCM) has a right-half-plane (RHP) zero in the transfer function. The RHP zero is inversely related to the load current and inductor value and directly related to the input voltage. The RHP zero limits the maximum bandwidth achievable for the boost regulator. If the bandwidth is too close to the RHP zero frequency, the regulator may become unstable.

Thus, for high-power systems with low input voltages, a low inductor value is chosen. This value increases the amplitude of the ripple currents in the N-channel MOSFET, the inductor and the capacitors for the boost regulator. They must be designed with the ripple/RHP zero trade-off in mind and considering the power dissipation effects in the components due to parasitic series resistance.

A boost converter that operates in the discontinuous mode does not contain the RHP-zero in transfer function. However, designing for the discontinuous mode demands an even lower inductor value that has high ripple currents. Also, ensure that the regulator never enters the continuous-conduction mode; otherwise, the regulator becomes unstable.



**Figure 25. Boost Compensation Components**

This design is done assuming continuous-conduction mode. During light load conditions, the boost converter operates in discontinuous mode without affecting stability. Hence, the assumptions here cover the worst case for stability.

### Boost Maximum Input Current $I_{IN\_MAX}$

The maximum input current is drawn at the minimum input voltage and maximum load. The efficiency for  $V_{BAT} = 5\text{ V}$  at  $2.3\text{ A}$  is 80%, based on the typical characteristics plot.

$$P_{INmax} = \frac{P_{OUT}}{\text{Efficiency}} = \frac{25\text{ W}}{0.8} = 31.3\text{ W} \quad (5)$$

Hence,

$$I_{INmax}(\text{at } V_{BAT} = 5\text{ V}) = \frac{31.3\text{ W}}{5\text{ V}} = 6.3\text{ A} \quad (6)$$

### Boost Inductor Selection, L

Allow input ripple current of 40% of  $I_{IN\ max}$  at  $V_{BAT} = 5\text{ V}$

$$L = \frac{V_{BAT} \times t_{ON}}{I_{Nripplemax}} = \frac{V_{BAT}}{I_{Nripplemax} \times 2 \times f_{SW}} = \frac{5\text{ V}}{2.52\text{ A} \times 2 \times 200\text{ kHz}} = 4.9\ \mu\text{H} \quad (7)$$

Choose a lower value of  $3.9\ \mu\text{H}$  in order to ensure a high RHP-zero frequency while making a compromise that expects a high current ripple. This inductor selection also makes the boost converter operate in discontinuous conduction mode, where it is easier to compensate.

The inductor saturation current must be higher than the peak inductor current and some percentage higher than the maximum current-limit value set by the external resistive sensing element.

This rating should be determined at the minimum input voltage, maximum output current, and maximum core temperature for the application.

### Inductor Ripple Current, $I_{RIPPLE}$

Based on an Inductor value of  $3.9\ \mu\text{H}$ , the ripple current is approximately  $3.1\text{ A}$ .

### Peak Current in Low-Side FET, $I_{PEAK}$

$$I_{PEAK} = I_{INmax} + \frac{I_{RIPPLE}}{2} = 6.3\text{ A} + \frac{3.1\text{ A}}{2} = 7.85\text{ A} \quad (8)$$

Based on this peak current value (see [Equation 8](#)), the external current-sense resistor  $R_{SENSE}$  is calculated in .

$$R_{SENSE} = \frac{0.2\text{ V}}{7.85\text{ A}} = 25\text{ m}\Omega$$

Select  $20\text{ m}\Omega$ , allowing for tolerance.

The filter component values  $R_{IFLT}$  and  $C_{IFLT}$  for current sense are  $1.5\text{ k}\Omega$  and  $1\text{ nF}$ , respectively, which allows for good noise immunity.

### Right Half-Plane Zero RHP Frequency, $f_{RHP}$

$$f_{RHP} = \frac{V_{BAT\ min}}{2\pi \times I_{In\ max} \times L} = 32\text{ kHz} \quad (9)$$

## Output Capacitor, C<sub>O</sub>

To ensure stability, the output capacitor C<sub>O</sub> is chosen such that

$$f_{LC} \leq \frac{f_{RHP}}{10}$$

$$\frac{10}{2\pi \times \sqrt{L \times C_{OUTx}}} \leq \frac{V_{BATmin}}{2\pi \times I_{INmax} \times L}$$

$$C_{OUTx} \geq \left( \frac{10 \times I_{INmax}}{V_{BATmin}} \right)^2 \times L = \left( \frac{10 \times 6.3 \text{ A}}{5 \text{ V}} \right)^2 \times 3.9 \mu\text{H}$$

$$C_{OUTxmin} \geq 635 \mu\text{F} \tag{10}$$

Select C<sub>OUTx</sub> = 680 μF.

This capacitor is usually aluminum electrolytic with ESR in the tens-of-milliohms which is good for loop stability, because it provides a phase boost due to the ESR. The output filter components L and C create a double pole (180 degree phase-shift) at a frequency f<sub>LC</sub>, and the ESR of the output capacitor R<sub>ESR</sub> creates a zero for the modulator at frequency f<sub>ESR</sub>. These frequencies can be determined by [Equation 11](#).

$$f_{ESR} = \frac{1}{2\pi \times C_{OUTx} \times R_{ESR}} \text{ Hz, assume } R_{ESR} = 40 \text{ m}\Omega$$

$$f_{ESR} = \frac{1}{2\pi \times 680 \mu\text{F} \times 0.04} = 6 \text{ kHz}$$

$$f_{LC} = \frac{1}{2\pi \times \sqrt{L \times C_{OUTx}}} = \frac{1}{2\pi \times \sqrt{4 \mu\text{H} \times 680 \mu\text{F}}} = 3.1 \text{ kHz} \tag{11}$$

This satisfies f<sub>LC</sub> ≤ 0.1 f<sub>RHP</sub>.

## Bandwidth of Boost Converter, f<sub>C</sub>

Use the following guidelines to set the frequency poles, zeroes, and crossover values for the trade-off between stability and transient response:

$$f_{LC} < f_{ESR} < f_C < f_{RHP \text{ Zero}}$$

$$f_C < f_{RHP \text{ Zero}} / 3$$

$$f_C < f_{SW} / 6$$

$$f_{LC} < f_C / 3$$



## Output Ripple Voltage Due to Load Transients, $\Delta V_o$

Assume a bandwidth of  $f_c = 10$  kHz.

$$\begin{aligned}\Delta V_{OUTx} &= R_{ESR} \times \Delta I_{OUTx} + \frac{\Delta I_{OUTx}}{4 \times C_{OUTx} \times f_c} \\ &= 0.04 \Omega \times 2.5 \text{ A} + \frac{2.5 \text{ A}}{4 \times 660 \mu\text{F} \times 10 \text{ kHz}} = 0.19 \text{ V}\end{aligned}\quad (12)$$

Because the boost converter is active only during brief events such as a cranking pulse, and the buck converters are high-voltage tolerant, a higher excursion on the boost output may be tolerable in some cases. In such cases, smaller component choices for the boost output may be used.

## Selection of Components for Type II Compensation

The required loop gain for unity gain bandwidth (UGB) is shown in [Equation 13](#).

$$\begin{aligned}G &= 40 \log\left(\frac{f_c}{f_{LC}}\right) - 20 \log\left(\frac{f_c}{f_{ESR}}\right) \\ G &= 40 \log\left(\frac{10 \text{ kHz}}{3.1 \text{ kHz}}\right) - 20 \log\left(\frac{10 \text{ kHz}}{6 \text{ kHz}}\right) = 15.9 \text{ dB}\end{aligned}\quad (13)$$

The boost converter error amplifier (OTA) has a  $G_m$  that is proportional to the  $V_{BAT}$  voltage which allows a constant loop response across the input voltage range and makes it easier to compensate by removing the dependency on  $V_{BAT}$ .

$$\begin{aligned}R3 &= \frac{10^{G/20}}{85 \times 10^{-6} \text{ A/V}^2 \times V_{OUTx}} = 7.2 \text{ k}\Omega \\ C1 &= \frac{10}{2\pi \times f_c \times R3} = \frac{10}{2\pi \times 10 \text{ kHz} \times 7.2 \text{ k}\Omega} = 22 \text{ nF} \\ C2 &= \frac{C1}{2\pi \times R3 \times C1 \times \left(\frac{f_{SW}}{2}\right) - 1} = \frac{22 \text{ nF}}{2\pi \times 7.2 \text{ k}\Omega \times 22 \text{ nF} \times \left(\frac{200 \text{ kHz}}{2}\right) - 1} = 223 \text{ pF} \quad \text{choose } 220 \text{ pF}\end{aligned}\quad (14)$$

## Input Capacitor, $C_{IN}$

The input ripple required is lower than 50 mV.

$$\begin{aligned}\Delta V_{C1} &= \frac{I_{RIPPLE}}{8 \times f_{SW} \times C_{IN}} = 10 \text{ mV} \\ C_{IN} &= \frac{I_{RIPPLE}}{8 \times f_{SW} \times \Delta V_{C1}} = 194 \mu\text{F} \\ \Delta V_{ESR} &= I_{RIPPLE} \times R_{ESR} = 40 \text{ mV}\end{aligned}\quad (15)$$

Therefore, TI recommends 220  $\mu\text{F}$  with 10-m $\Omega$  ESR.

## Output Schottky Diode D1 Selection

A Schottky diode with low forward-conducting voltage  $V_F$  over temperature and fast switching characteristics is required to maximize efficiency. The reverse breakdown voltage should be higher than the maximum input voltage, and the component should have low reverse-leakage current. Additionally, the peak forward current should be higher than the peak inductor current. The power dissipation in the Schottky diode is given in Equation 16.

$$P_D = I_{D(\text{PEAK})} \times V_F \times (1-D)$$

$$D = 1 - \frac{V_{\text{INMIN}}}{V_{\text{OUT}} + V_F} = 1 - \frac{5\text{V}}{10\text{V} + 0.6\text{V}} = 0.53$$

$$P_D = 7.85\text{ A} \times 0.6\text{ V} \times (1 - 0.53) = 2.2\text{ W} \quad (16)$$

## Low-Side MOSFET (BOT\_SW3)

$$P_{\text{BOOSTFET}} = (I_{\text{Pk}})^2 \times r_{\text{DS(on)}}(1 + \text{TC}) \times D + \left( \frac{V_I \times I_{\text{Pk}}}{2} \right) \times (t_r + t_f) \times f_{\text{sw}}$$

$$P_{\text{BOOSTFET}} = (7.85\text{ A})^2 \times 0.02\ \Omega \times (1 + 0.4) \times 0.53 + \left( \frac{V_I \times I_{\text{Pk}}}{2} \right) \times (20\text{ ns} + 20\text{ ns}) \times 200\text{ kHz} = 1.07\text{ W} \quad (17)$$

The times  $t_r$  and  $t_f$  denote the rising and falling times of the switching node and are related to the gate-driver strength of the TPS43337-Q1 and gate Miller capacitance of the MOSFET. The first term denotes the conduction losses, which are minimized when the on-resistance of the MOSFET is low. The second term denotes the transition losses which arise due to the full application of the input voltage across the drain-source of the MOSFET as it turns on or off. They are higher at high output currents and low input voltages (due to the large input peak current) and when the switching time is low.

**NOTE:** The on-resistance  $r_{\text{DS(on)}}$  has a positive temperature coefficient, which produces the  $(\text{TC} = d \times \Delta T)$  term that signifies the temperature dependence. (Temperature coefficient  $d$  is available as a normalized value from MOSFET data sheets and can be assumed to be  $0.005 / ^\circ\text{C}$  as a starting value.)

## BuckA Component Selection

### Minimum ON Time, $t_{\text{ON min}}$

$$t_{\text{ON min}} = \frac{V_O}{V_{\text{INmax}} \times f_{\text{SW}}} = \frac{3.4\text{ V}}{30\text{ V} \times 400\text{ kHz}} = 283\text{ ns} \quad (18)$$

As shown in Equation 18,  $t_{\text{ON min}}$  is higher than the minimum duty cycle specified (100 ns, typical). Hence the minimum duty cycle is achievable at this frequency.

### Current-Sense Resistor $R_{\text{SENSE}}$

Based on the typical characteristics for  $V_{\text{SENSE}}$  limit with  $V_{\text{IN}}$  versus duty cycle, the sense limit is approximately 70 mV (at  $V_{\text{IN}} = 12\text{ V}$  and duty cycle of  $3.4\text{ V} / 12\text{ V} = 0.283$ ). Allowing for tolerances and ripple currents, choose  $V_{\text{SENSE}}$  maximum of 55 mV.

$$R_{\text{SENSE}} = \frac{55\text{ mV}}{3\text{ A}} = 18\text{ m}\Omega$$

Select 18 m $\Omega$ .

## Inductor Selection L

As explained in the description of the buck controllers (see [Detailed Description](#)), for optimal slope compensation and loop response, the inductor should be chosen such that:

$$L = K_{FLR} \times \frac{R_{SENSE}}{f_{SW}} = 200 \times \frac{18 \text{ m}\Omega}{400 \text{ kHz}} = 9.2 \mu\text{H}$$

- $K_{FLR}$  = Coil selection constant = 200 (19)

Choose a standard value of 10  $\mu\text{H}$ . For the buck converter, the inductor saturation currents and core should be chosen to sustain the maximum currents.

## Inductor Ripple Current $I_{RIPPLE}$

At the nominal input voltage of 12 V, this gives a ripple current of 25% of  $I_{OUTmax} \approx 1 \text{ A}$ .

## Output Capacitor $C_O$

Select an output capacitance  $C_O$  of 100  $\mu\text{F}$  with low ESR in the range of 10  $\text{m}\Omega$ . This gives  $\Delta V_{O(Ripple)} \approx 15 \text{ mV}$  and  $\Delta V$  drop of  $\approx 180 \text{ mV}$  during a load step, which does not trigger the power-good comparator and is within the required limits.

$$C_{OUTA} \approx \frac{2 \times \Delta I_{OUTA}}{f_{SW} \times \Delta V_{OUTA}} = \frac{2 \times 2.9 \text{ A}}{400 \text{ kHz} \times 0.2 \text{ V}} = 72.5 \mu\text{F} \quad (20)$$

$$V_{OUTA(Ripple)} = \frac{I_{OUTA(Ripple)}}{8 \times f_{SW} \times C_{OUTA}} + I_{OUTA(Ripple)} \times ESR = \frac{1 \text{ A}}{8 \times 400 \text{ kHz} \times 100 \mu\text{F}} + 1 \text{ A} \times 10 \text{ m}\Omega = 13.1 \text{ mV} \quad (21)$$

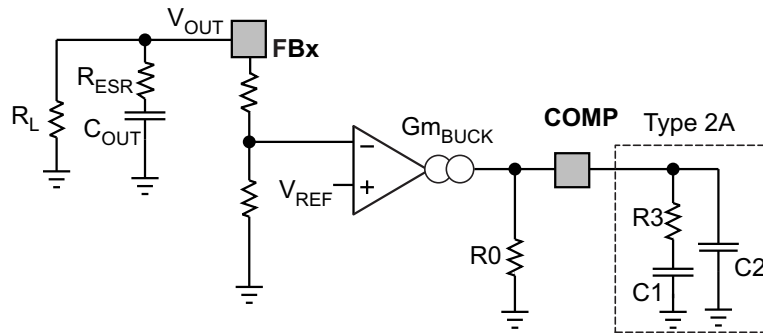
$$\Delta V_{OUTA} = \frac{\Delta I_{OUTA}}{4 \times f_C \times C_{OUTA}} + \Delta I_{OUTA} \times ESR = \frac{2.9 \text{ A}}{4 \times 50 \text{ kHz} \times 100 \mu\text{F}} + 2.9 \text{ A} \times 10 \text{ m}\Omega = 174 \text{ mV} \quad (22)$$

## Bandwidth of Buck Converter $f_C$

Use the following guidelines to set frequency poles, zeroes, and crossover values for the trade-off between stability and transient response.

- Crossover frequency  $f_C$  between  $f_{SW} / 6$  and  $f_{SW} / 10$ . Assume  $f_C = 50 \text{ kHz}$ .
- Select the zero  $f_z \approx f_C / 10$
- Make the second pole  $f_{p2} \approx f_{SW} / 2$

**Selection of Components for Type II Compensation**



**Figure 26. Buck Compensation Components**

$$R3 = \frac{2\pi \times f_c \times V_{OUTA} \times C_{OUTA}}{Gm_{BUCK} \times K_{CFB} \times V_{REF}} = \frac{2\pi \times 50 \text{ kHz} \times 3.4 \text{ V} \times 100 \mu\text{F}}{Gm_{BUCK} \times K_{CFB} \times V_{REF}} = 19 \text{ k}\Omega$$

Use standard value of R3 = 18 kΩ

where:

- V<sub>O</sub> = 3.4 V
  - C<sub>O</sub> = 100 μF
  - G<sub>m</sub> = 1 mS
  - V<sub>REF</sub> = 0.8 V
  - K<sub>CFB</sub> = 0.125 / R<sub>SENSE</sub> = 6.9 (0.125 is an internal constant)
- (23)

$$C1 = \frac{10}{2\pi \times R3 \times f_c} = \frac{10}{2\pi \times 18 \text{ k}\Omega \times 50 \text{ kHz}} = 1.8 \text{ nF}$$

(24)

Use standard value of 1.8 nF.

$$C2 = \frac{C1}{2\pi \times R3 \times C1 \left(\frac{f_{SW}}{2}\right) - 1} = \frac{1.8 \text{ nF}}{2\pi \times 18 \text{ k}\Omega \times 1.8 \text{ nF} \left(\frac{400 \text{ kHz}}{2}\right) - 1} = 45 \text{ pF}$$

(25)

Use standard value of 47 pF.

**The resulting bandwidth of buck converter f<sub>C</sub>**

$$f_c = \frac{Gm_{BUCK} \times R3 \times K_{CFB}}{2\pi \times C_{OUTA}} \times \frac{V_{REF}}{V_{OUT}}$$

$$f_c = \frac{1 \text{ mS} \times 18 \text{ k}\Omega \times 6.9 \text{ S} \times 0.8 \text{ V}}{2\pi \times 100 \mu\text{F} \times 3.4 \text{ V}} = 46.5 \text{ kHz}$$

(26)

f<sub>C</sub> is close to the target bandwidth of 50 kHz.

**The resulting zero frequency f<sub>Z1</sub>**

$$f_{Z1} = \frac{1}{2\pi \times R3 \times C1} = \frac{1}{2\pi \times 18 \text{ k}\Omega \times 1.8 \text{ nF}} = 4.9 \text{ kHz}$$

(27)

f<sub>Z1</sub> is close to the f<sub>C</sub> / 10 guideline of 5 kHz

**The second pole frequency f<sub>P2</sub>**

$$f_{P2} = \frac{1}{2\pi \times R3 \times C2} = \frac{1}{2\pi \times 18 \text{ k}\Omega \times 47 \text{ pF}} = 188 \text{ kHz}$$

(28)

$f_{P2}$  is close to the  $f_{SW} / 2$  guideline of 200 kHz. Hence, all requirements for a good loop response are satisfied.

### BuckB Component Selection

Using the same method as VBUCKA, the following parameters and components are realized in [Equation 29](#).

$$t_{ONmin} = \frac{V_{OUTB}}{V_{INmax} \times f_{SW}} = \frac{1.235 \text{ V}}{30 \text{ V} \times 400 \text{ kHz}} = 103 \text{ ns} \quad (29)$$

This  $t_{ONmin}$  is on the edge of the minimum duty cycle specified (100 ns, typical); expect pulse-skipping at high  $V_{IN}$ .

$$R_{SENSE} = \frac{60 \text{ mV}}{2 \text{ A}} = 30 \text{ m}\Omega$$

$$L = 200 \times \frac{30 \text{ m}\Omega}{400 \text{ kHz}} = 15 \text{ }\mu\text{H}$$

choose 30 m $\Omega$ , 15  $\mu$ H.

- $\Delta I_{ripple}$  current  $\approx 0.4 \text{ A}$  (approx. 20% of  $I_{Omax}$ )

Select an output capacitance  $C_O$  of 100  $\mu$ F with low ESR in the range of 10 m $\Omega$ . This gives  $\Delta V_O$  (ripple)  $\approx 7.5 \text{ mV}$  and  $\Delta V$  drop of  $\approx 120 \text{ mV}$  during a load step.

Assume  $f_C = 50 \text{ kHz}$ .

$$C_{OUTB} \approx \frac{2 \times \Delta I_{OUTB}}{f_{SW} \times \Delta V_{OUTB}} = \frac{2 \times 1.9 \text{ A}}{400 \text{ kHz} \times 0.12 \text{ V}} = 46 \text{ }\mu\text{F} \quad (30)$$

$$V_{OUTB(Ripple)} = \frac{I_{OUTB(Ripple)}}{8 \times f_{SW} \times C_{OUTB}} + I_{OUTB(Ripple)} \times ESR = \frac{0.4 \text{ A}}{8 \times 400 \text{ kHz} \times 100 \text{ }\mu\text{F}} + 0.4 \text{ A} \times 10 \text{ m}\Omega = 5.3 \text{ mV} \quad (31)$$

$$\Delta V_{OUTB} = \frac{\Delta I_{OUTB}}{4 \times f_C \times C_{OUTB}} + \Delta I_{OUTB} \times ESR = \frac{1.9 \text{ A}}{4 \times 50 \text{ kHz} \times 100 \text{ }\mu\text{F}} + 1.9 \text{ A} \times 10 \text{ m}\Omega = 114 \text{ mV} \quad (32)$$

$$\begin{aligned} R3 &= \frac{2\pi \times f_C \times V_{OUTB} \times C_{OUTB}}{Gm_{BUCK} \times K_{CFB} \times V_{REF}} \\ &= \frac{2\pi \times 50 \text{ kHz} \times 1.235 \text{ V} \times 100 \text{ }\mu\text{F}}{1 \text{ mS} \times 4.16 \text{ S} \times 0.8 \text{ V}} = 11.7 \text{ k}\Omega \end{aligned} \quad (33)$$

Use standard value of  $R3 = 12 \text{ k}\Omega$ .

$$C1 = \frac{10}{2\pi \times R3 \times f_C} = \frac{10}{2\pi \times 12 \text{ k}\Omega \times 50 \text{ kHz}} = 2.7 \text{ nF}, \quad \text{choose } 2.7 \text{ nF} \quad (34)$$

$$\begin{aligned} C2 &= \frac{C1}{2\pi \times R3 \times C1 \times \left(\frac{f_{SW}}{2}\right) - 1} \\ &= \frac{2.7 \text{ nF}}{2\pi \times 12 \text{ k}\Omega \times 2.7 \text{ nF} \times \left(\frac{400 \text{ kHz}}{2}\right) - 1} = 68 \text{ pF}, \quad \text{choose } 68 \text{ pF} \end{aligned} \quad (35)$$

$$f_C = \frac{Gm_{BUCK} \times R3 \times K_{CFB} \times V_{REF}}{2\pi \times C_{OUTB} \times V_O}$$

$$f_C = \frac{1 \text{ mS} \times 12 \text{ k}\Omega \times 4.16 \times 0.8}{2\pi \times 100 \text{ }\mu\text{F} \times 1.235 \text{ V}} = 51.5 \text{ kHz} \quad (36)$$

$f_C$  is close to the target bandwidth of 50 kHz.

**The resulting zero frequency  $f_{z1}$** 

$$f_{z1} = \frac{1}{2\pi \times R3 \times C1} = \frac{1}{2\pi \times 12 \text{ k}\Omega \times 2.7 \text{ nF}} = 4.9 \text{ kHz}$$

$f_{z1}$  is close to the  $f_c / 10$  guideline of 5 kHz.

**The second pole frequency  $f_{p2}$** 

$$f_{p2} = \frac{1}{2\pi \times R3 \times C2} = \frac{1}{2\pi \times 12 \text{ k}\Omega \times 68 \text{ pF}} = 195 \text{ kHz} \quad (37)$$

$f_{p2}$  is close to the  $f_{sw} / 2$  guideline of 200 kHz.

Hence, all requirements for a good loop response are satisfied.

**BuckX High-Side and Low-Side N-Channel MOSFETs**

The gate-drive supply for these MOSFETs is supplied by an internal supply which is 5.8 V (typical) under normal operating conditions. The output is a totem pole, allowing full voltage drive of  $V_{REG}$  to the gate with peak output current of 1.2 A. The high-side MOSFET is referenced to a floating node at the phase terminal (PHx) and the low-side MOSFET is referenced to the power ground (PGx) terminal. For a particular application, these MOSFETs should be selected with consideration for the following parameters:  $r_{ds(on)}$ , gate charge  $Q_g$ , drain-to-source breakdown voltage  $BVDSS$ , maximum dc current  $IDC(max)$ , and thermal resistance for the package.

The times  $t_r$  and  $t_f$  denote the rising and falling times of the switching node and are related to the gate-driver strength of the TPS43337-Q1 and gate Miller capacitance of the MOSFET. The first term denotes the conduction losses, which are minimized when the on-resistance of the MOSFET is low. The second term denotes the transition losses, which arise due to the full application of the input voltage across the drain-source of the MOSFET as it turns on or off. They are lower at low currents and when the switching time is low.

$$P_{BuckTOPFET} = (I_{OUT})^2 \times r_{DS(on)} (1 + TC) \times D + \left( \frac{V_{IN} \times I_{OUT}}{2} \right) \times (t_r + t_f) \times f_{SW} \quad (38)$$

$$P_{BuckLOWEFET} = (I_{OUT})^2 \times r_{DS(on)} (1 + TC) \times (1 - D) + V_F \times I_{OUT} \times (2 \times t_d) \times f_{SW} \quad (39)$$

In addition, during the dead time  $t_d$  when both the MOSFETs are off, the body diode of the low-side MOSFET conducts, increasing the losses which is denoted by the second term in the [Equation 39](#). Using external Schottky diodes in parallel to the low-side MOSFETs of the buck converters helps to reduce this loss.

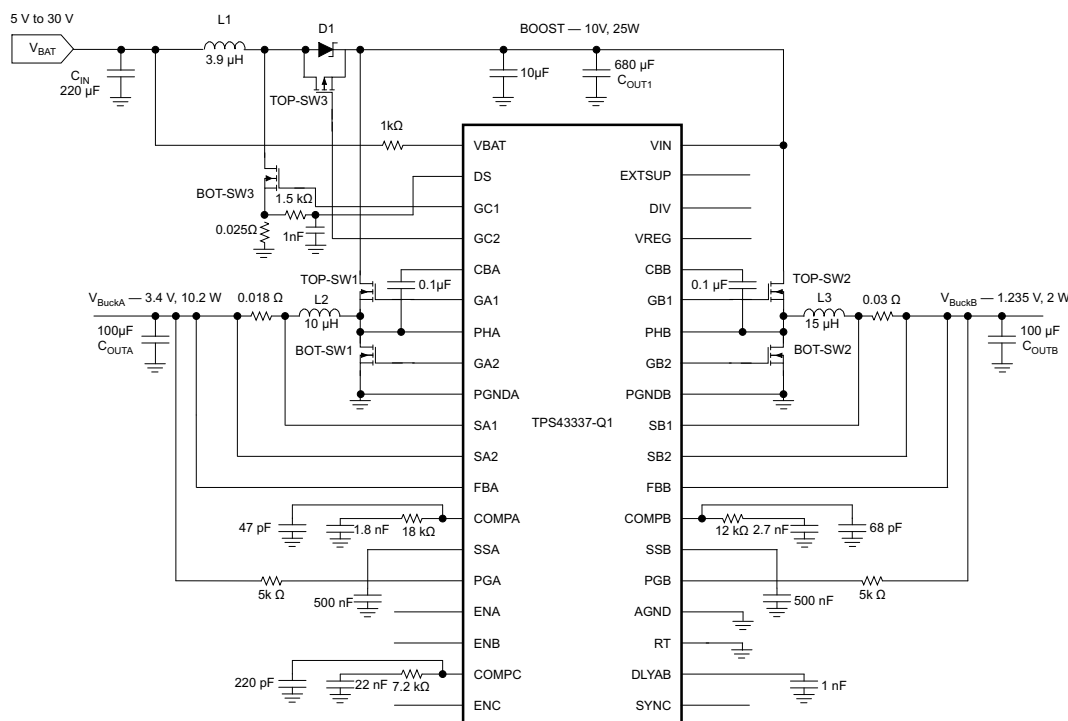
Note that  $r_{DS(on)}$  has a positive temperature coefficient which is accounted for in the TC term for  $r_{DS(on)}$ ,  $TC = d \times \Delta T [^\circ\text{C}]$ . The temperature coefficient,  $d$ , is available as a normalized value from MOSFET data sheets and can be assumed to be 0.005 /  $^\circ\text{C}$  as a starting value.

**Schematic**

The following section summarizes the previously calculated example and gives a schematic and component proposals.

**Table 4. Application Example**

PARAMETER	V <sub>BUCKA</sub>	V <sub>BUCKB</sub>	BOOST
Input voltage	V <sub>IN</sub> = 6 to 30 V 12 V - typical	V <sub>IN</sub> = 6 to 30 V 12 V - typical	V <sub>BAT</sub> = 5 (cranking pulse input) to 30 V
Output voltage, V <sub>OUTx</sub>	3.396 V	1.235 V	10 V
Maximum output current, I <sub>OUTx</sub>	3 A	2 A	2.5 A
Load-step output tolerance, ΔV <sub>OUT</sub> + ΔV <sub>OUT</sub> (Ripple)	±0.2 V	±0.12 V	±0.5 V
Current output load step, ΔI <sub>OUTx</sub>	0.1 to 3 A	0.1 to 2 A	0.1 to 2.5 A
Converter switching frequency, f <sub>SW</sub>	400 kHz	400 kHz	200 kHz

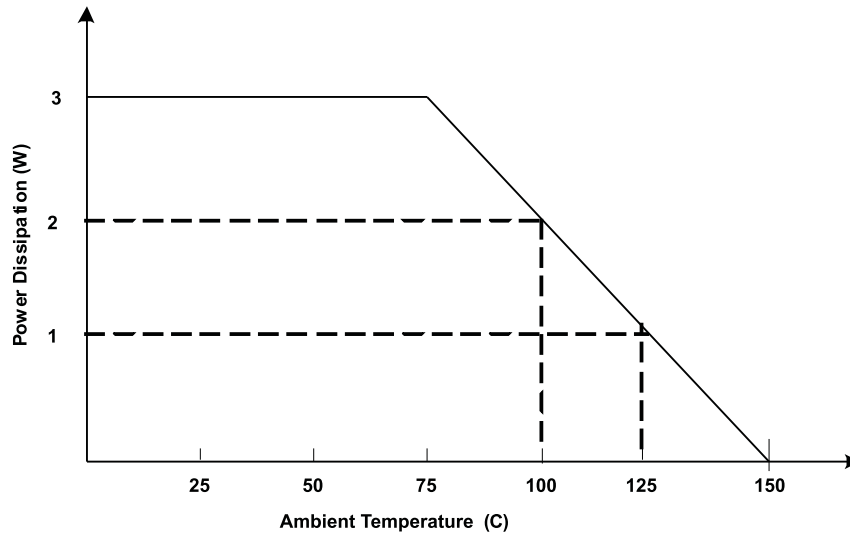


**Figure 27. Schematic - Application Example**

**Table 5. Application Example - Component Proposals**

Name	Component Proposal	Value
L1	MSS1278T-392NL (Coilcraft)	3.9 µH
L2	MSS1278T-103ML (Coilcraft)	10 µH
L3	MSS1278T-153ML (Coilcraft)	15 µH
D1	SK103 (Micro Commercial Components)	
TOP_SW3	IRF7416 (International Rectifier)	
TOP_SW1, TOP_SW2	Si4840DY-T1-E3 (Vishay)	
BOT_SW1, BOT_SW2	Si4840DY-T1-E3 (Vishay)	
BOT_SW3	IRFR3504ZTRPBF (International Rectifier)	
C <sub>OUT1</sub>	EEVFK1J681M (Panasonic)	680 µF
C <sub>OUTA</sub> , C <sub>OUTB</sub>	ECASD91A107M010K00 (Murata)	100 µF
C <sub>IN</sub>	EEVFK1J221Q (Panasonic)	220 µF

## Power Dissipation Derating Profile, 38-Pin HTTSOP Package With PowerPAD Package



**Figure 28. Power Dissipation Derating Profile Based on High-K JEDEC PCB**

## PCB Layout Guidelines

### Grounding and PCB Circuit Layout Considerations

#### Boost Converter

1. The path formed from the input capacitor to the inductor and BOT\_SW3 with the low-side current-sense resistor should have short leads and PC trace lengths. The same applies for the trace from the inductor to the Schottky diode D1 to the COUT1 capacitors. The negative terminal of the input capacitor and the negative terminal of the sense resistor must be connected together with short trace lengths.
2. The overcurrent-sensing shunt resistor may require noise filtering, and this capacitor should be close to the IC pin.

#### Buck Converter

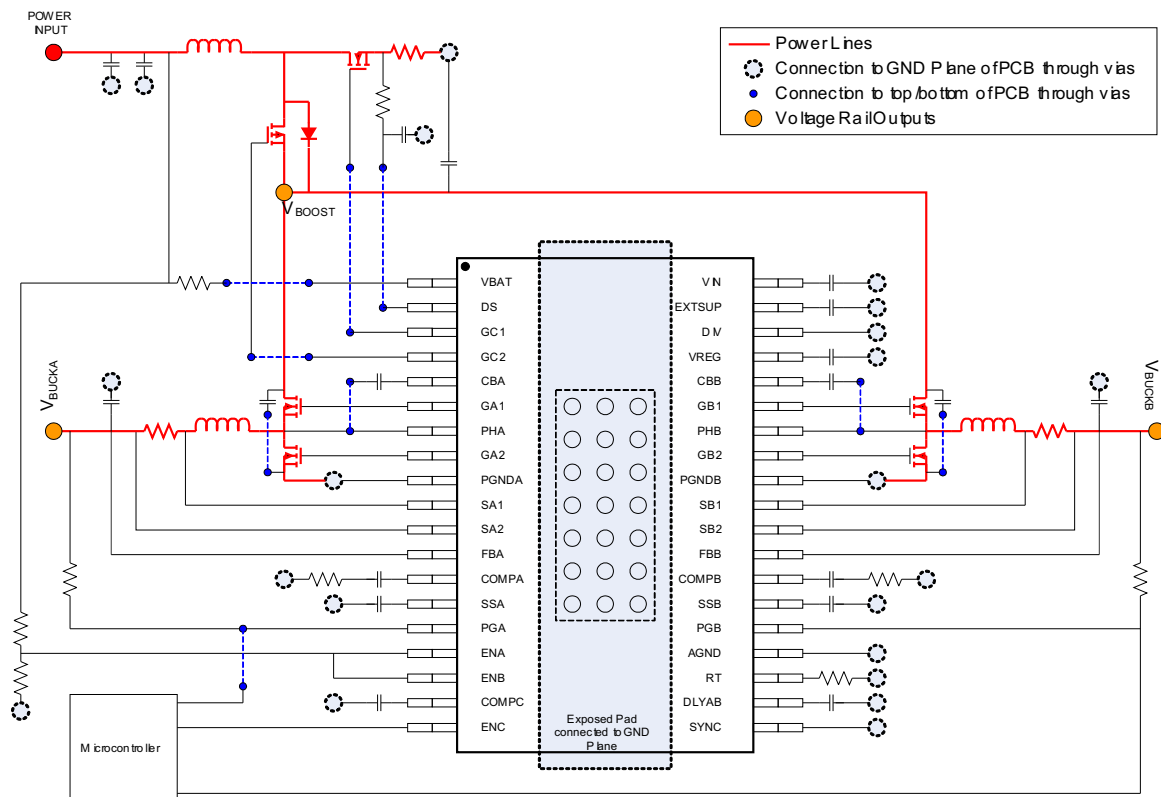
1. Connect the drains of TOP\_SW1 and TOP\_SW2 together with the positive terminal of input capacitor COUT1. The trace length between these terminals should be short.
2. Connect a local decoupling capacitor between the drain of TOP\_SWx and the source of BOT\_SWx.
3. The Kelvin-current sensing traces for the shunt resistor should have minimum trace spacing and be routed parallel to each other. Any filtering capacitors for noise should be placed near the IC pins.
4. Connect the positive terminal of the respective output capacitor C<sub>OUTA</sub> or C<sub>OUTB</sub> to the respective feedback input FBA or FBB. Do not connect these traces near any switching nodes or high-current traces.

#### Other Considerations

1. PGNDx and AGND should be shorted to the thermal pad. Use a star-ground configuration if connecting to a non-ground-plane system. Use tie-ins for the EXTSUP capacitor, compensation-network ground, and voltage-sense-feedback ground networks to this star ground.
2. Connect a compensation network between the compensation pins and IC signal ground. Connect the oscillator resistor (frequency setting) between the RT pin and IC signal ground. These sensitive circuits should not be located near nodes showing high dv/dt; these include the gate-drive outputs, phase pins, and boost circuits (bootstrap).
3. Reduce the surface area of the high-current-carrying loops to a minimum, by ensuring optimal component placement. Ensure the bypass capacitors are located as close as possible to their respective power and ground pins.



PCB Layout



## REVISION HISTORY

Changes from Original (August 2013) to Revision A	Page
• Changed document status from <i>Product Preview</i> to <i>Production Data</i> .....	1

**PACKAGING INFORMATION**

Orderable part number	Status (1)	Material type (2)	Package   Pins	Package qty   Carrier	RoHS (3)	Lead finish/ Ball material (4)	MSL rating/ Peak reflow (5)	Op temp (°C)	Part marking (6)
<a href="#">TPS43337QDAPRQ1</a>	Active	Production	HTSSOP (DAP)   38	2000   LARGE T&R	Yes	NIPDAU	Level-3-260C-168 HR	-40 to 125	TPS43337
TPS43337QDAPRQ1.A	Active	Production	HTSSOP (DAP)   38	2000   LARGE T&R	Yes	NIPDAU	Level-3-260C-168 HR	-40 to 125	TPS43337
TPS43337QDAPRQ1.B	Active	Production	HTSSOP (DAP)   38	2000   LARGE T&R	Yes	NIPDAU	Level-3-260C-168 HR	-40 to 125	TPS43337

(1) **Status:** For more details on status, see our [product life cycle](#).

(2) **Material type:** When designated, preproduction parts are prototypes/experimental devices, and are not yet approved or released for full production. Testing and final process, including without limitation quality assurance, reliability performance testing, and/or process qualification, may not yet be complete, and this item is subject to further changes or possible discontinuation. If available for ordering, purchases will be subject to an additional waiver at checkout, and are intended for early internal evaluation purposes only. These items are sold without warranties of any kind.

(3) **RoHS values:** Yes, No, RoHS Exempt. See the [TI RoHS Statement](#) for additional information and value definition.

(4) **Lead finish/Ball material:** Parts may have multiple material finish options. Finish options are separated by a vertical ruled line. Lead finish/Ball material values may wrap to two lines if the finish value exceeds the maximum column width.

(5) **MSL rating/Peak reflow:** The moisture sensitivity level ratings and peak solder (reflow) temperatures. In the event that a part has multiple moisture sensitivity ratings, only the lowest level per JEDEC standards is shown. Refer to the shipping label for the actual reflow temperature that will be used to mount the part to the printed circuit board.

(6) **Part marking:** There may be an additional marking, which relates to the logo, the lot trace code information, or the environmental category of the part.

Multiple part markings will be inside parentheses. Only one part marking contained in parentheses and separated by a "-" will appear on a part. If a line is indented then it is a continuation of the previous line and the two combined represent the entire part marking for that device.

**Important Information and Disclaimer:** The information provided on this page represents TI's knowledge and belief as of the date that it is provided. TI bases its knowledge and belief on information provided by third parties, and makes no representation or warranty as to the accuracy of such information. Efforts are underway to better integrate information from third parties. TI has taken and continues to take reasonable steps to provide representative and accurate information but may not have conducted destructive testing or chemical analysis on incoming materials and chemicals. TI and TI suppliers consider certain information to be proprietary, and thus CAS numbers and other limited information may not be available for release.

In no event shall TI's liability arising out of such information exceed the total purchase price of the TI part(s) at issue in this document sold by TI to Customer on an annual basis.

**TAPE AND REEL INFORMATION**

**QUADRANT ASSIGNMENTS FOR PIN 1 ORIENTATION IN TAPE**


\*All dimensions are nominal

Device	Package Type	Package Drawing	Pins	SPQ	Reel Diameter (mm)	Reel Width W1 (mm)	A0 (mm)	B0 (mm)	K0 (mm)	P1 (mm)	W (mm)	Pin1 Quadrant
TPS43337QDAPRQ1	HTSSOP	DAP	38	2000	330.0	24.4	8.6	13.0	1.8	12.0	24.0	Q1

**TAPE AND REEL BOX DIMENSIONS**


\*All dimensions are nominal

Device	Package Type	Package Drawing	Pins	SPQ	Length (mm)	Width (mm)	Height (mm)
TPS43337QDAPRQ1	HTSSOP	DAP	38	2000	350.0	350.0	43.0

## GENERIC PACKAGE VIEW

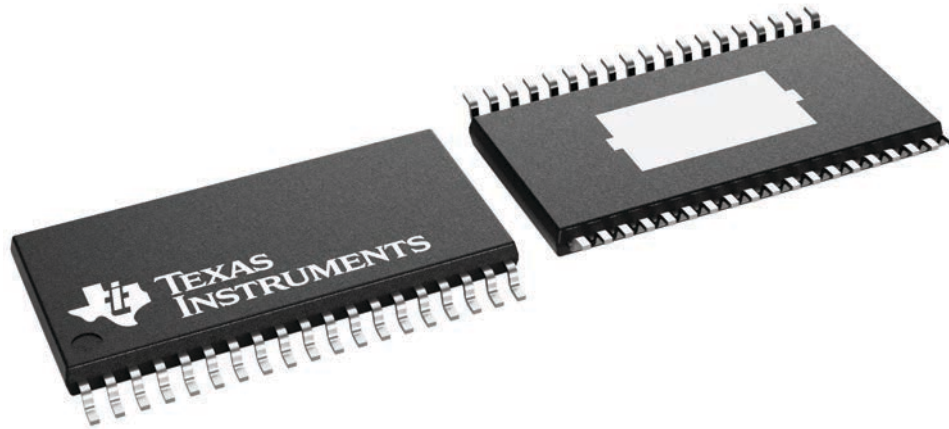
**DAP 38**

**PowerPAD™ TSSOP - 1.2 mm max height**

8.1 x 12.5, 0.65 mm pitch

SMALL OUTLINE PACKAGE

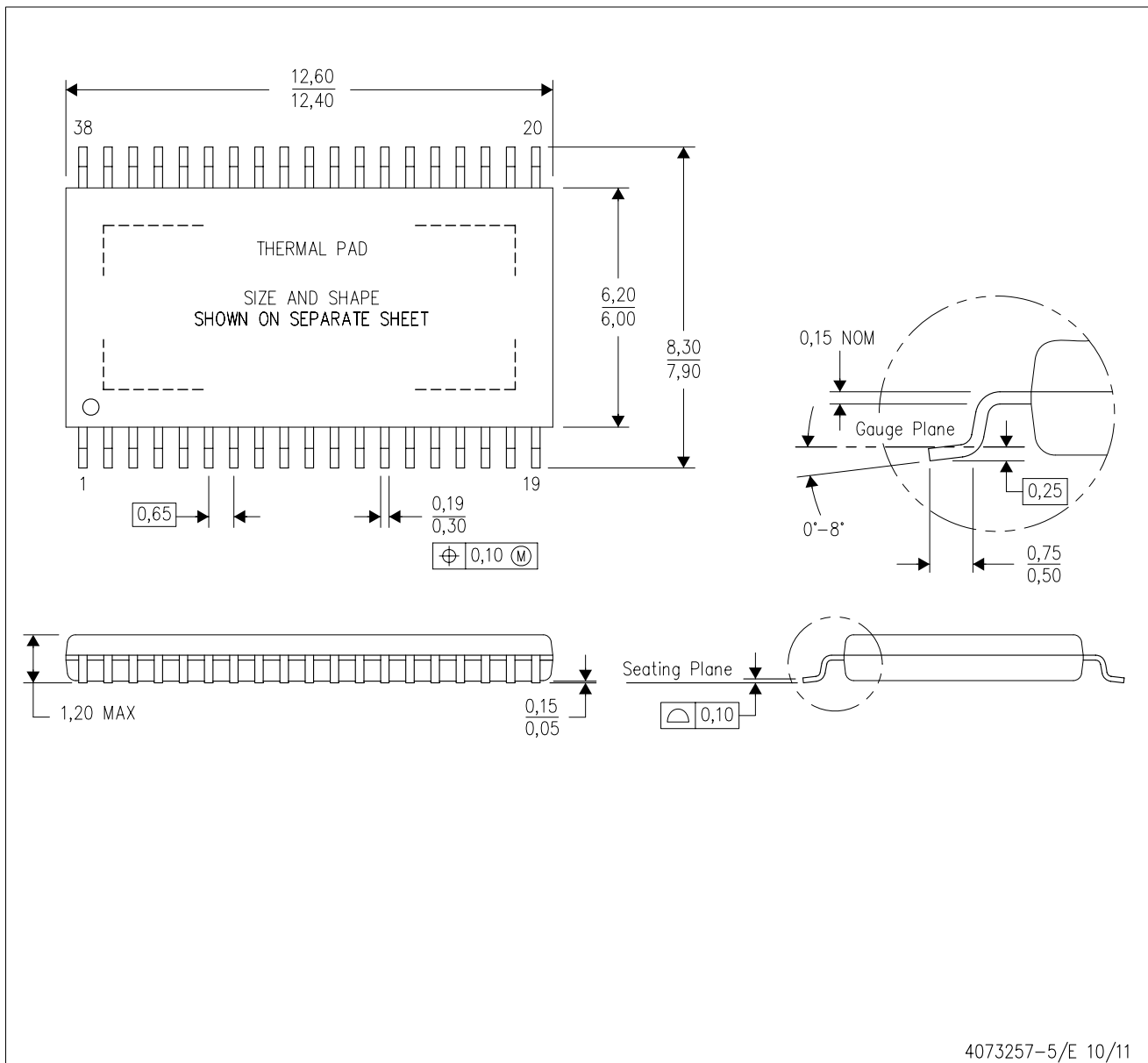
This image is a representation of the package family, actual package may vary.  
Refer to the product data sheet for package details.



4231599/A

# MECHANICAL DATA

DAP (R-PDSO-G38) PowerPAD™ PLASTIC SMALL-OUTLINE PACKAGE



- NOTES:
- A. All linear dimensions are in millimeters.
  - B. This drawing is subject to change without notice.
  - C. Body dimensions do not include mold flash or protrusion. Mold flash and protrusion shall not exceed 0.15 per side.
  - D. This package is designed to be soldered to a thermal pad on the board. Refer to Technical Brief, PowerPad Thermally Enhanced Package, Texas Instruments Literature No. SLMA002 for information regarding recommended board layout. This document is available at [www.ti.com](http://www.ti.com) <<http://www.ti.com>>.
  - E. See the additional figure in the Product Data Sheet for details regarding the exposed thermal pad features and dimensions.
- ⚠ Falls within JEDEC MO-153 Variation DDT-1.

PowerPAD is a trademark of Texas Instruments.

# THERMAL PAD MECHANICAL DATA

DAP (R-PDSO-G38)

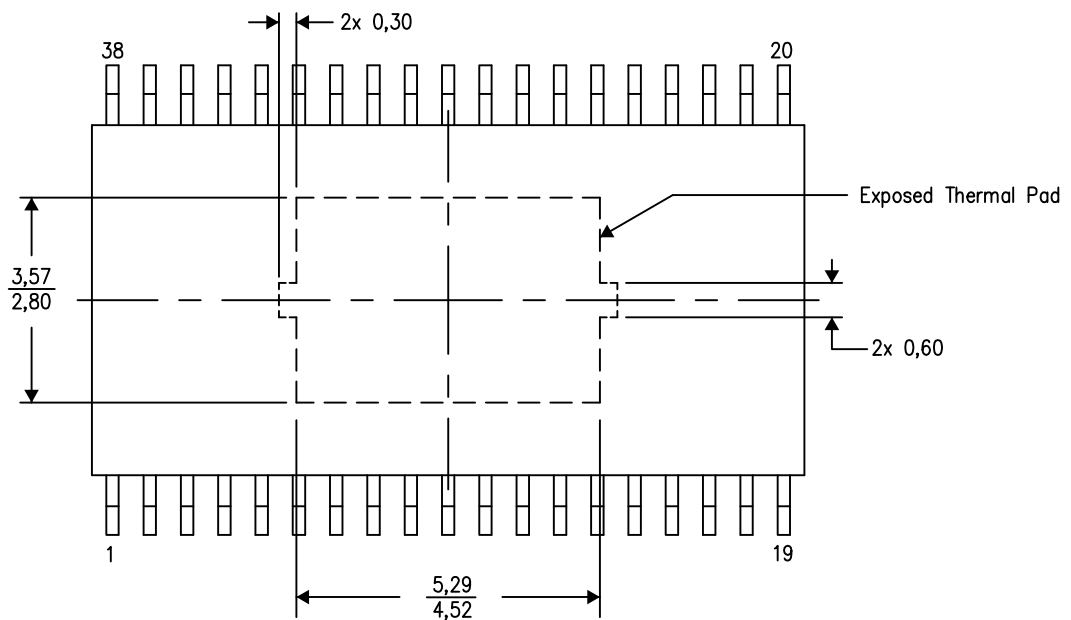
PowerPAD™ PLASTIC SMALL OUTLINE

## THERMAL INFORMATION

This PowerPAD™ package incorporates an exposed thermal pad that is designed to be attached to a printed circuit board (PCB). The thermal pad must be soldered directly to the PCB. After soldering, the PCB can be used as a heatsink. In addition, through the use of thermal vias, the thermal pad can be attached directly to the appropriate copper plane shown in the electrical schematic for the device, or alternatively, can be attached to a special heatsink structure designed into the PCB. This design optimizes the heat transfer from the integrated circuit (IC).

For additional information on the PowerPAD package and how to take advantage of its heat dissipating abilities, refer to Technical Brief, PowerPAD Thermally Enhanced Package, Texas Instruments Literature No. SLMA002 and Application Brief, PowerPAD Made Easy, Texas Instruments Literature No. SLMA004. Both documents are available at [www.ti.com](http://www.ti.com).

The exposed thermal pad dimensions for this package are shown in the following illustration.



Top View

Exposed Thermal Pad Dimensions

4206319-9/M 09/13

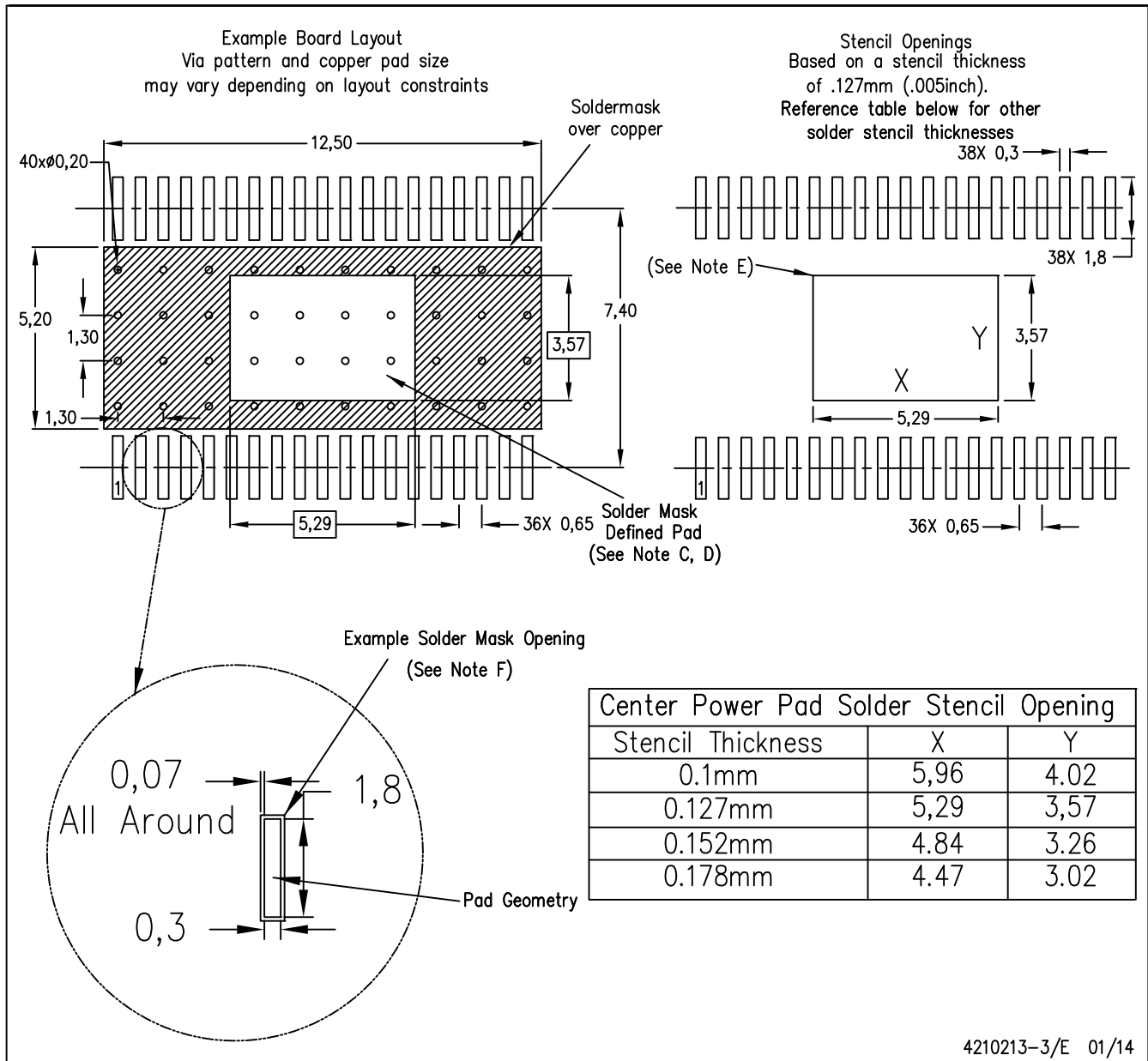
NOTE: All linear dimensions are in millimeters

PowerPAD is a trademark of Texas Instruments.



# LAND PATTERN DATA

## DAP (R-PDSO-G38) PowerPAD™ PLASTIC SMALL OUTLINE PACKAGE



- NOTES:
- All linear dimensions are in millimeters.
  - This drawing is subject to change without notice.
  - Customers should place a note on the circuit board fabrication drawing not to alter the center solder mask defined pad.
  - This package is designed to be soldered to a thermal pad on the board. Refer to Technical Brief, PowerPad Thermally Enhanced Package, Texas Instruments Literature No. SLMA002, SLMA004, and also the Product Data Sheets for specific thermal information, via requirements, and recommended board layout. These documents are available at [www.ti.com](http://www.ti.com) <<http://www.ti.com>>. Publication IPC-7351 is recommended for alternate designs.
  - Laser cutting apertures with trapezoidal walls and also rounding corners will offer better paste release. Customers should contact their board assembly site for stencil design recommendations. Refer to IPC-7525 for other stencil recommendations.
  - Contact the board fabrication site for recommended soldermask tolerances.

PowerPAD is a trademark of Texas Instruments

## IMPORTANT NOTICE AND DISCLAIMER

TI PROVIDES TECHNICAL AND RELIABILITY DATA (INCLUDING DATASHEETS), DESIGN RESOURCES (INCLUDING REFERENCE DESIGNS), APPLICATION OR OTHER DESIGN ADVICE, WEB TOOLS, SAFETY INFORMATION, AND OTHER RESOURCES "AS IS" AND WITH ALL FAULTS, AND DISCLAIMS ALL WARRANTIES, EXPRESS AND IMPLIED, INCLUDING WITHOUT LIMITATION ANY IMPLIED WARRANTIES OF MERCHANTABILITY, FITNESS FOR A PARTICULAR PURPOSE OR NON-INFRINGEMENT OF THIRD PARTY INTELLECTUAL PROPERTY RIGHTS.

These resources are intended for skilled developers designing with TI products. You are solely responsible for (1) selecting the appropriate TI products for your application, (2) designing, validating and testing your application, and (3) ensuring your application meets applicable standards, and any other safety, security, regulatory or other requirements.

These resources are subject to change without notice. TI grants you permission to use these resources only for development of an application that uses the TI products described in the resource. Other reproduction and display of these resources is prohibited. No license is granted to any other TI intellectual property right or to any third party intellectual property right. TI disclaims responsibility for, and you fully indemnify TI and its representatives against any claims, damages, costs, losses, and liabilities arising out of your use of these resources.

TI's products are provided subject to [TI's Terms of Sale](#), [TI's General Quality Guidelines](#), or other applicable terms available either on [ti.com](#) or provided in conjunction with such TI products. TI's provision of these resources does not expand or otherwise alter TI's applicable warranties or warranty disclaimers for TI products. Unless TI explicitly designates a product as custom or customer-specified, TI products are standard, catalog, general purpose devices.

TI objects to and rejects any additional or different terms you may propose.

Copyright © 2025, Texas Instruments Incorporated

Last updated 10/2025