

1

2

3

4

5

6

7

8

A

A

B

B


C

C

D

D

Texas Instruments and/or its licensors do not warrant the accuracy or completeness of this specification or any information contained therein. Texas Instruments and/or its licensors do not warrant that this design will meet the specifications, will be suitable for your application or fit for any particular purpose, or will operate in an implementation. Texas Instruments and/or its licensors do not warrant that the design is production worthy. You should completely validate and test your design implementation to confirm the system functionality for your application.

Orderable:	Designed for: <b>Internal Use</b>	Mod. Date: 6/18/2024	 <b>TEXAS INSTRUMENTS</b> <a href="http://www.ti.com">http://www.ti.com</a> <small>© Texas Instruments 2023</small>
TID #: <b>N/A</b>	Project Title: <b>CSU</b>		
Number: <b>CSU_18S_V2P</b>	Rev: <b>E1</b>	Sheet: <b>1 of 6</b>	
SVN Rev: <b>Not in version control</b>	Assembly Variant: <b>MFG_Assembly</b>	Size: <b>A3</b>	
Drawn By:	File: <b>18S_Block Diagram.SchDoc</b>		
Engineer: <b>a0489206</b>	Contact: <b><a href="http://www.ti.com/support">http://www.ti.com/support</a></b>		

1

2

3

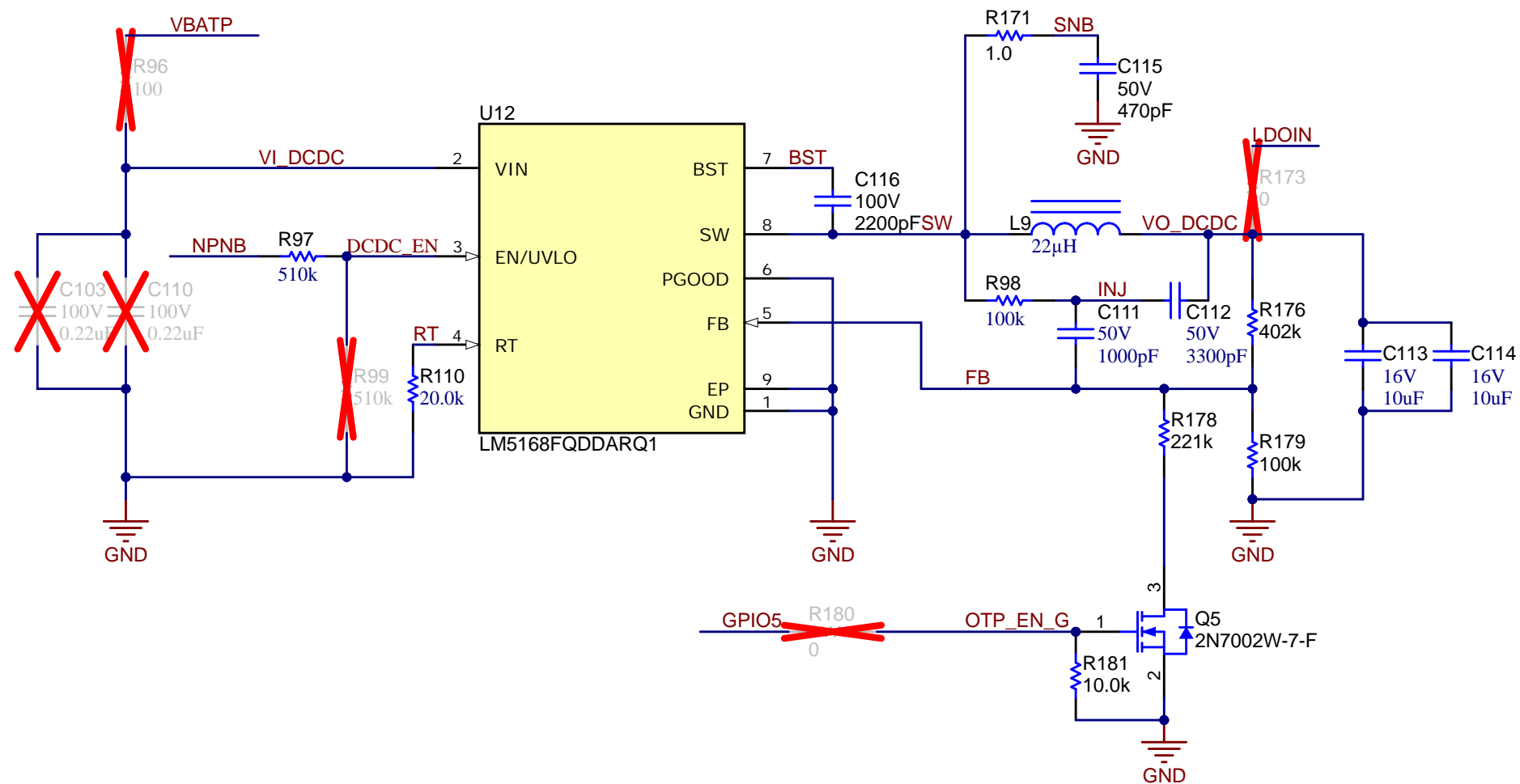
4

5

6

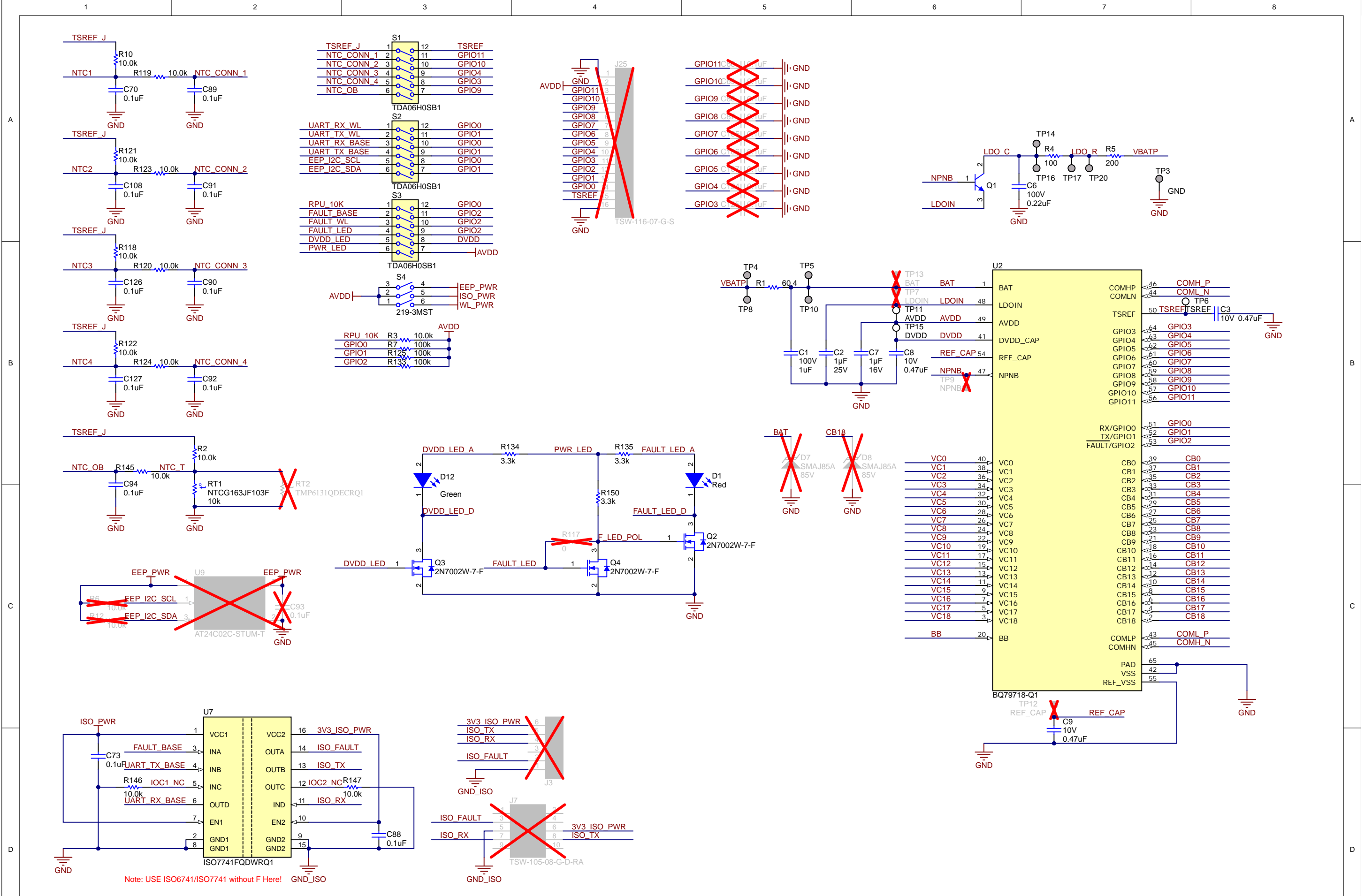
7

8



Texas Instruments and/or its licensors do not warrant the accuracy or completeness of this specification or any information contained therein. Texas Instruments and/or its licensors do not warrant that this design will meet the specifications, will be suitable for your application or fit for any particular purpose, or will operate in an implementation. Texas Instruments and/or its licensors do not warrant that the design is production worthy. You should completely validate and test your design implementation to confirm the system functionality for your application.

Orderable:	Designed for: <b>Internal Use</b>	Mod. Date: 6/20/2024
TID #: <b>N/A</b>	Project Title: <b>CSU</b>	
Number: <b>CSU_18S_V2P3</b>	Rev: <b>E1</b>	Sheet Title:
SVN Rev: <b>Not in version control</b>	Assembly Variant: <b>MFG_Assembly</b>	Sheet: <b>1 of 1</b>
Drawn By:	File: <b>18S_ADD Power.SchDoc</b>	Size: <b>A4</b>
Engineer: <b>a0489206</b>	Contact: <b>http://www.ti.com/support</b>	



Note: USE ISO6741/ISO7741 without F Here!

Texas Instruments and/or its licensors do not warrant the accuracy or completeness of this specification or any information contained therein. Texas Instruments and/or its licensors do not warrant that this design will meet the specifications, will be suitable for your application or fit for any particular purpose, or will operate in an implementation. Texas Instruments and/or its licensors do not warrant that the design is production worthy. You should completely validate and test your design implementation to confirm the system functionality for your application.

Orderable:	Designed for: Internal Use	Mod. Date: 6/20/2024
TID #: N/A	Project Title: CSU	
Number: CSU_18S_V2Rev: E1	Sheet Title:	
SVN Rev: Not in version control	Assembly Variant: MFG_Assembly	Sheet: 2 of 6
Drawn By:	File: 18S_BQ7971x.SchDoc	Size: A3
Engineer: a0489206	Contact: <a href="http://www.ti.com/support">http://www.ti.com/support</a>	



© Texas Instruments 2023

A

B

C

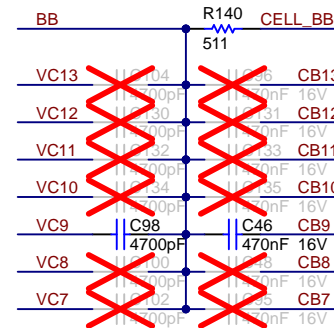
D

A

B

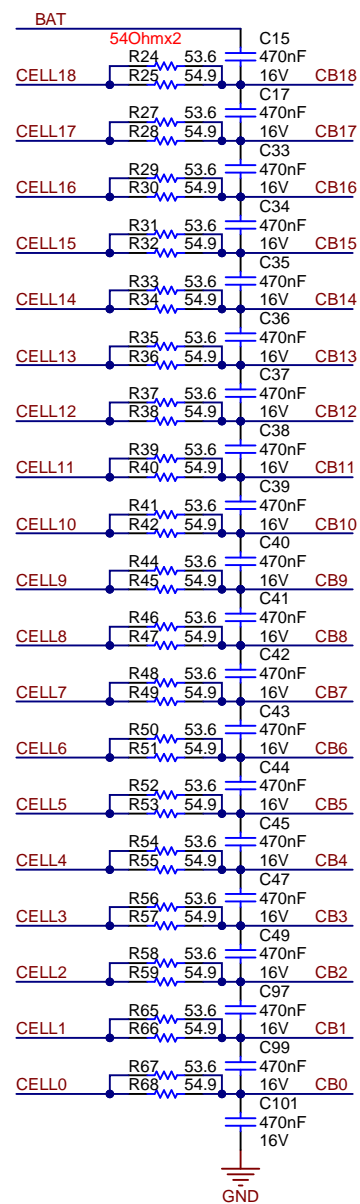
C

D

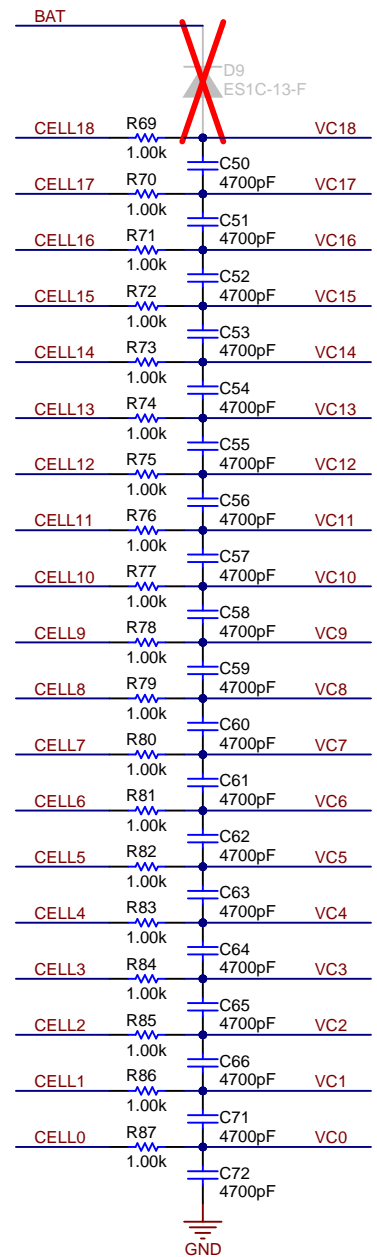


**Bus Bar Selection**

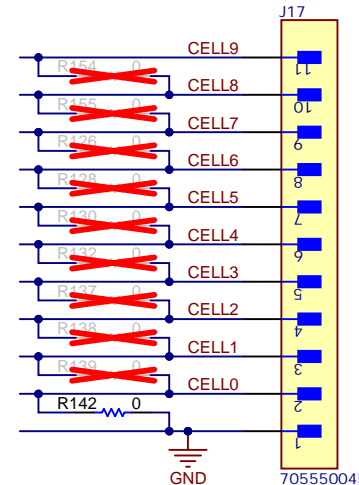
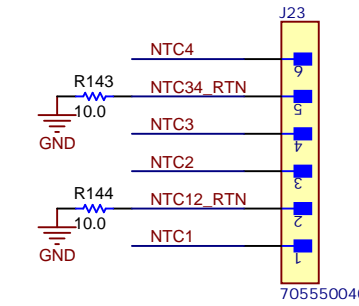
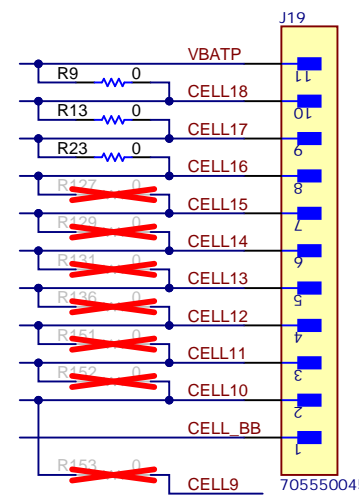
Only 1 Pair should Be populated



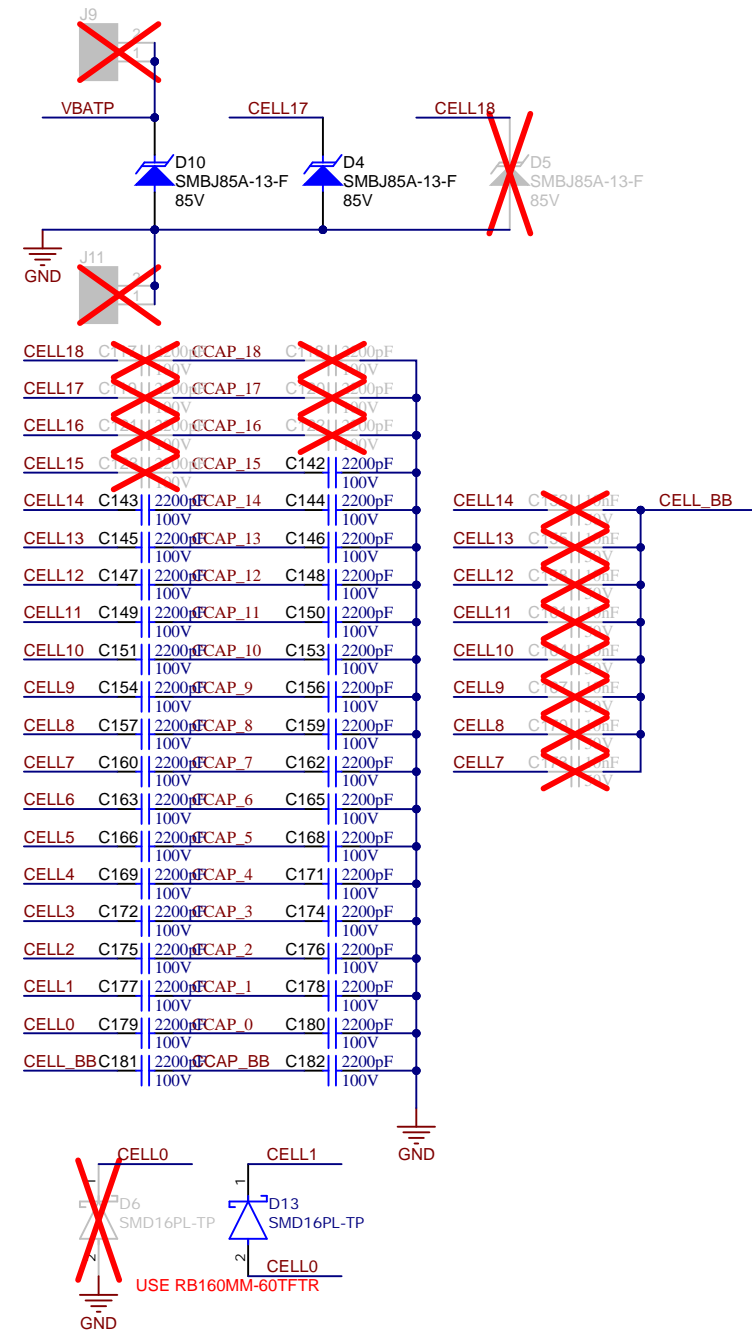
**CB RC String**



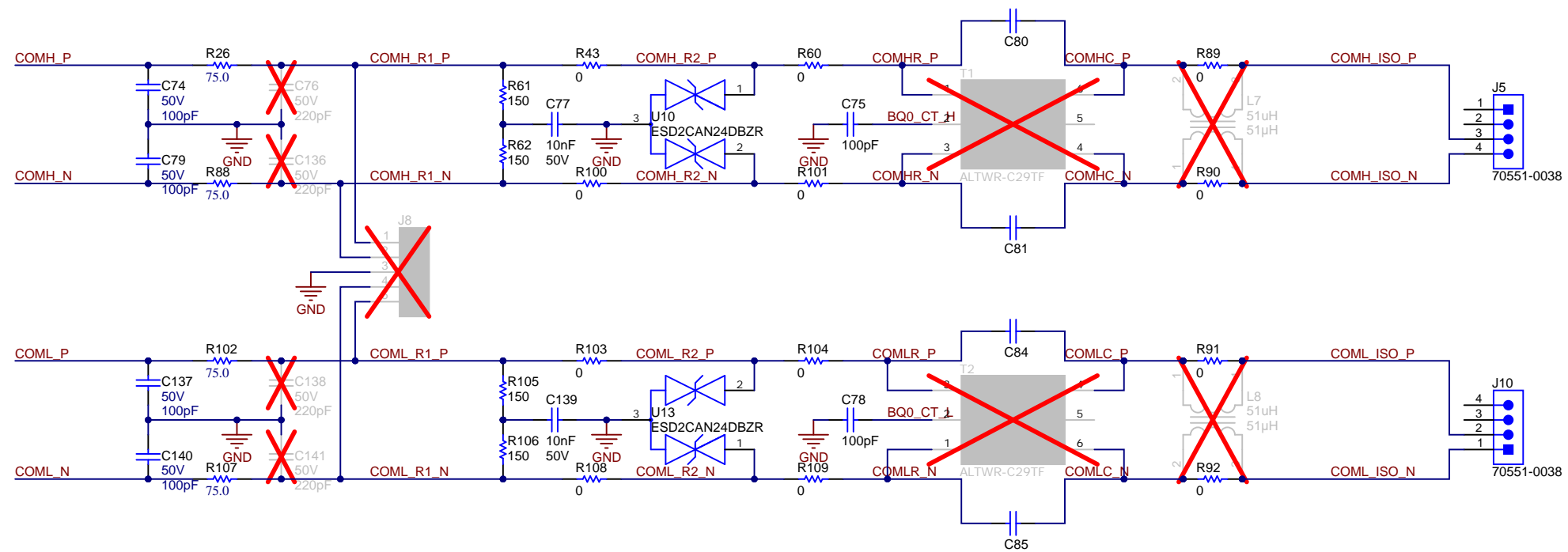
**VC RC String**



**Cell Connectors**

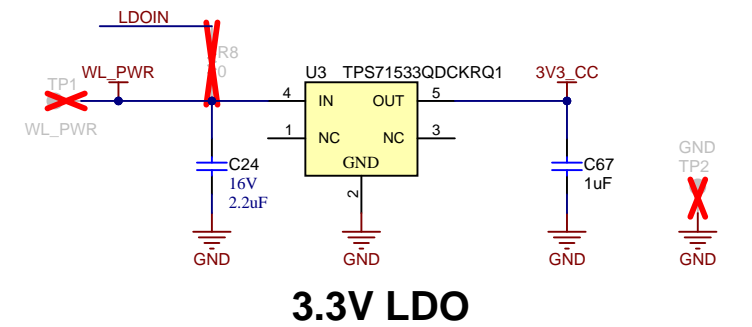


Texas Instruments and/or its licensors do not warrant the accuracy or completeness of this specification or any information contained therein. Texas Instruments and/or its licensors do not warrant that this design will meet the specifications, will be suitable for your application or fit for any particular purpose, or will operate in an implementation. Texas Instruments and/or its licensors do not warrant that the design is production worthy. You should completely validate and test your design implementation to confirm the system functionality for your application.

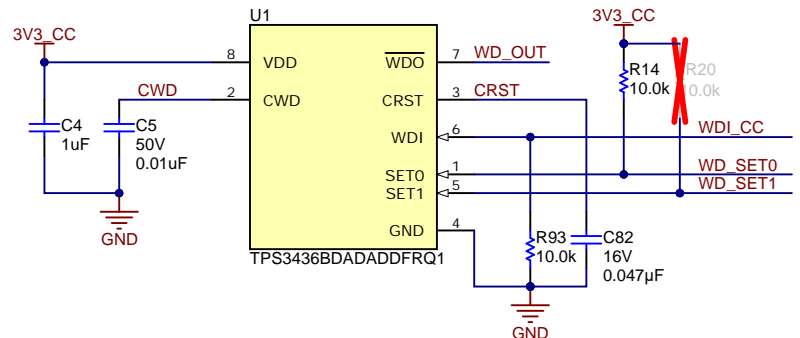


Texas Instruments and/or its licensors do not warrant the accuracy or completeness of this specification or any information contained therein. Texas Instruments and/or its licensors do not warrant that this design will meet the specifications, will be suitable for your application or fit for any particular purpose, or will operate in an implementation. Texas Instruments and/or its licensors do not warrant that the design is production worthy. You should completely validate and test your design implementation to confirm the system functionality for your application.

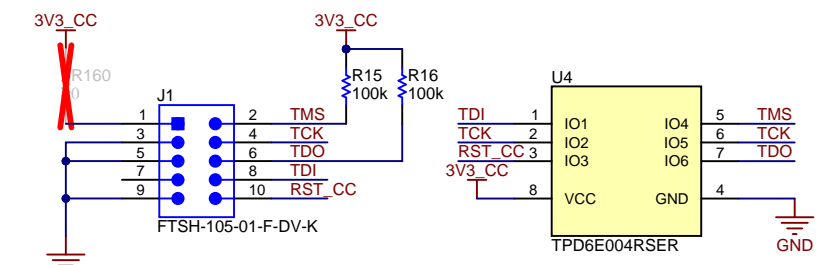
Orderable:	Designed for: Internal Use	Mod. Date: 7/17/2024	
TID #: N/A	Project Title: CSU	Sheet Title:	
Number: CSU_18S_V2P0 Rev: E1	Assembly Variant: MFG Assembly	Sheet: 4 of 6	<a href="http://www.ti.com">http://www.ti.com</a> © Texas Instruments 2023
SVN Rev: Not in version control	File: 18S_Communication_SchDoc	Size: A3	
Drawn By: Engineer: a0489206	Contact: <a href="http://www.ti.com/support">http://www.ti.com/support</a>		



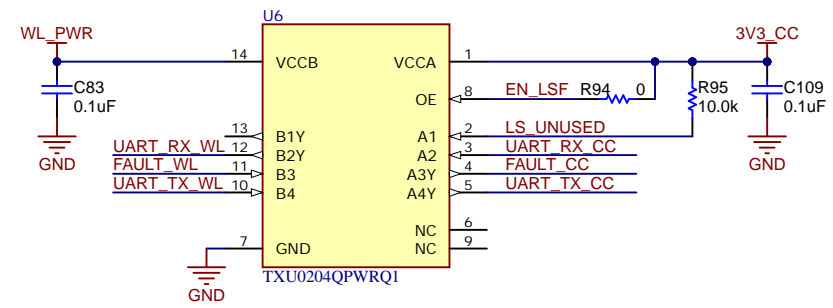
**3.3V LDO**



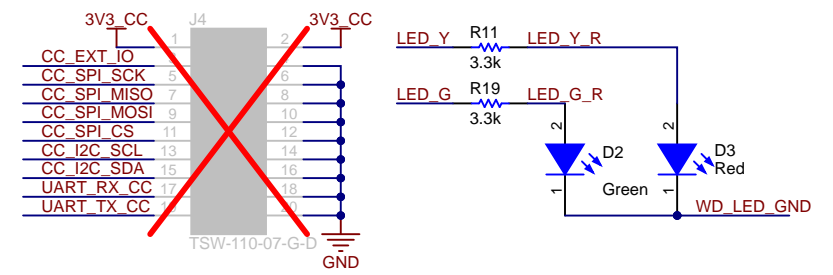
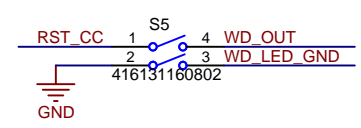
**Watchdog**



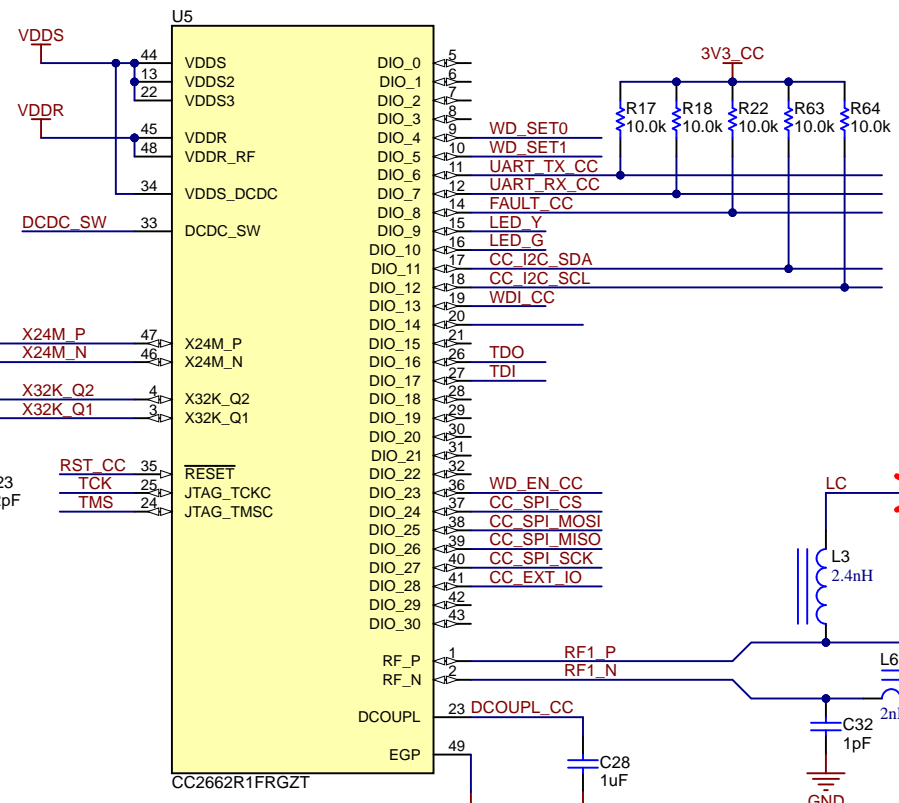
**JTAG & ESD**



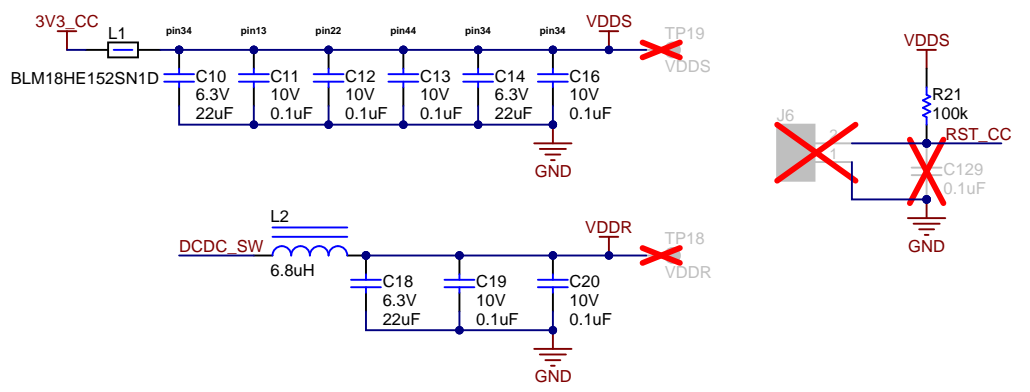
**Level Shifter**



**CC2662 Sensor I/O**



**CC2662R**



Orderable:	Designed for: Internal Use	Mod. Date: 6/25/2024
TID #: N/A	Project Title: CSU	
Number: CSU_18S_V2Rev: E1	Sheet Title:	
SVN Rev: Not in version control	Assembly Variant: MFG_Assembly	Sheet 5 of 6
Drawn By:	File: 18S_RF.SchDoc	Size: A3
Engineer: a0489206	Contact: <a href="http://www.ti.com/support">http://www.ti.com/support</a>	

Texas Instruments and/or its licensors do not warrant the accuracy or completeness of this specification or any information contained therein. Texas Instruments and/or its licensors do not warrant that this design will meet the specifications, will be suitable for your application or fit for any particular purpose, or will operate in an implementation. Texas Instruments and/or its licensors do not warrant that the design is production worthy. You should completely validate and test your design implementation to confirm the system functionality for your application.



1

2

3

4

5

6

7

8

A

A

B

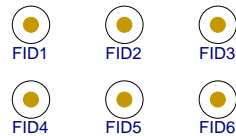
B

C

C

D

D



PCB Number: CSU\_18S\_V2P3A  
 PCB Rev: E1

PCB  
 LOGO  
 Texas Instruments

PCB  
 LOGO  
 WEEE logo

PCB  
 LOGO  
 Pb-Free Symbol

PCB  
 LOGO  
 FCC disclaimer

PCB  
 LOGO  
 ESD Susceptible



Texas Instruments and/or its licensors do not warrant the accuracy or completeness of this specification or any information contained therein. Texas Instruments and/or its licensors do not warrant that this design will meet the specifications, will be suitable for your application or fit for any particular purpose, or will operate in an implementation. Texas Instruments and/or its licensors do not warrant that the design is production worthy. You should completely validate and test your design implementation to confirm the system functionality for your application.

Orderable:	Designed for: Internal Use	Mod. Date: 6/18/2024	<p>TEXAS INSTRUMENTS</p> <p>http://www.ti.com</p> <p>© Texas Instruments 2023</p>
TID #: N/A	Project Title: CSU	Sheet Title:	
Number: CSU_18S_V2P3A Rev: E1	Assembly Variant: MFG Assembly	Sheet: 6 of 6	
SVN Rev: Not in version control	File: 18S_Hardware.SchDoc	Size: A3	
Drawn By:	Engineer: a0489206	Contact: http://www.ti.com/support	

1

2

3

4

5

6

7

8

## IMPORTANT NOTICE AND DISCLAIMER

TI PROVIDES TECHNICAL AND RELIABILITY DATA (INCLUDING DATASHEETS), DESIGN RESOURCES (INCLUDING REFERENCE DESIGNS), APPLICATION OR OTHER DESIGN ADVICE, WEB TOOLS, SAFETY INFORMATION, AND OTHER RESOURCES "AS IS" AND WITH ALL FAULTS, AND DISCLAIMS ALL WARRANTIES, EXPRESS AND IMPLIED, INCLUDING WITHOUT LIMITATION ANY IMPLIED WARRANTIES OF MERCHANTABILITY, FITNESS FOR A PARTICULAR PURPOSE OR NON-INFRINGEMENT OF THIRD PARTY INTELLECTUAL PROPERTY RIGHTS.

These resources are intended for skilled developers designing with TI products. You are solely responsible for (1) selecting the appropriate TI products for your application, (2) designing, validating and testing your application, and (3) ensuring your application meets applicable standards, and any other safety, security, regulatory or other requirements.

These resources are subject to change without notice. TI grants you permission to use these resources only for development of an application that uses the TI products described in the resource. Other reproduction and display of these resources is prohibited. No license is granted to any other TI intellectual property right or to any third party intellectual property right. TI disclaims responsibility for, and you fully indemnify TI and its representatives against any claims, damages, costs, losses, and liabilities arising out of your use of these resources.

TI's products are provided subject to [TI's Terms of Sale](#), [TI's General Quality Guidelines](#), or other applicable terms available either on [ti.com](http://ti.com) or provided in conjunction with such TI products. TI's provision of these resources does not expand or otherwise alter TI's applicable warranties or warranty disclaimers for TI products. Unless TI explicitly designates a product as custom or customer-specified, TI products are standard, catalog, general purpose devices.

TI objects to and rejects any additional or different terms you may propose.

Copyright © 2025, Texas Instruments Incorporated

Last updated 10/2025