

# LM4040 Precision Micropower Shunt Voltage Reference

## 1 Features

- Fixed output voltages of 2.048V, 2.5V, 3V, 4.096V, 5V, 8.192V, and 10V
- Tight output tolerances and low temperature coefficient
  - Maximum 0.1%, 100ppm/°C – A Grade
  - Maximum 0.2%, 100ppm/°C – B Grade
  - Maximum 0.5%, 100ppm/°C – C Grade
  - Maximum 1.0%, 150ppm/°C – D Grade
- Low output noise: 35 $\mu$ V<sub>RMS</sub> typical
- Wide operating current range: 45 $\mu$ A typical to 15mA
- Stable with all capacitive loads; no output capacitor required
- Available in extended temperature range: –40°C to 125°C

## 2 Applications

- [Data-Acquisition Systems](#)
- [Energy Infrastructure](#)
- [Analog Input Module](#)
- [Field Transmitters](#)
- [Precision Audio](#)
- [Automotive Electronics](#)

## 3 Description

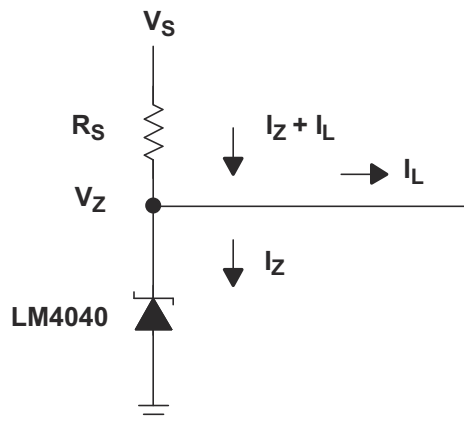
The LM4040 series of shunt voltage references are versatile, easy-to-use references that cater to a vast array of applications. The 2-pin fixed-output device requires no external capacitors for operation and is stable with all capacitive loads. Additionally, the reference offers low dynamic impedance, low noise, and low temperature coefficient to maintain a stable output voltage over a wide range of operating currents and temperatures. The LM4040 uses fuse and Zener-zap reverse breakdown voltage trim during wafer sort to offer four output voltage tolerances, ranging from 0.1% (maximum) for the A grade to 1% (maximum) for the D grade. Thus, a great deal of flexibility is offered to designers in choosing the best cost-to-performance ratio for their applications.

Packaged in space-saving SC-70 and SOT-23-3 packages and requiring a minimum current of 45 $\mu$ A (typical), the LM4040 also is designed for portable applications. The LM4040xI is characterized for operation over an ambient temperature range of –40°C to 85°C. The LM4040xQ is characterized for operation over an ambient temperature range of –40°C to 125°C.

### Package Information

PART NUMBER	PACKAGE (PIN) <sup>(1)</sup>	PACKAGE SIZE <sup>(2)</sup>
LM4040	SOT-23 (3)	2.92mm x 1.30mm
	SC70 (5)	2.00mm x 1.25mm
	TO-92 (3)	4.83mm x 3.68mm

- (1) For all available packages, see the orderable addendum at the end of the data sheet.
- (2) The package size (length x width) is a nominal value and includes pins, where applicable.



**Simplified Schematic**



## Table of Contents

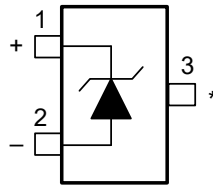
<b>1 Features</b> .....	1	6.17 LM4040C50I, LM4040D50I Electrical Characteristics.....	18
<b>2 Applications</b> .....	1	6.18 LM4040C50Q, LM4040D50Q Electrical Characteristics.....	19
<b>3 Description</b> .....	1	6.19 LM4040A82I, LM4040B82I Electrical Characteristics.....	20
<b>4 Device Comparison Table</b> .....	3	6.20 LM4040C82I, LM4040D82I Electrical Characteristics.....	21
<b>5 Pin Configuration and Functions</b> .....	4	6.21 LM4040A10I, LM4040B10I Electrical Characteristics.....	22
<b>6 Specifications</b> .....	5	6.22 LM4040C10I, LM4040D10I Electrical Characteristics.....	23
6.1 Absolute Maximum Ratings.....	5	6.23 Typical Characteristics.....	24
6.2 ESD Ratings.....	5	<b>7 Detailed Description</b> .....	25
6.3 Recommended Operating Conditions.....	5	7.1 Overview.....	25
6.4 Thermal Information.....	5	7.2 Functional Block Diagram.....	25
6.5 LM4040A20I, LM4040B20I Electrical Characteristics.....	6	7.3 Feature Description.....	25
6.6 LM4040C20I, LM4040D20I Electrical Characteristics.....	7	7.4 Device Functional Modes.....	25
6.7 LM4040C20Q, LM4040D20Q Electrical Characteristics.....	8	<b>8 Applications and Implementation</b> .....	26
6.8 LM4040A25I, LM4040B25I Electrical Characteristics.....	9	8.1 Application Information.....	26
6.9 LM4040C25I, LM4040D25I Electrical Characteristics.....	10	8.2 Typical Applications.....	26
6.10 LM4040C25Q, LM4040D25Q Electrical Characteristics.....	11	8.3 Power Supply Recommendations.....	28
6.11 LM4040A30I, LM4040B30I Electrical Characteristics.....	12	8.4 Layout.....	28
6.12 LM4040C30I, LM4040D30I Electrical Characteristics.....	13	<b>9 Device and Documentation Support</b> .....	30
6.13 LM4040C30Q, LM4040D30Q Electrical Characteristics.....	14	9.1 Related Links.....	30
6.14 LM4040A41I, LM4040B41I Electrical Characteristics.....	15	9.2 Receiving Notification of Documentation Updates.....	30
6.15 LM4040C41I, LM4040D41I Electrical Characteristics.....	16	9.3 Support Resources.....	30
6.16 LM4040A50I, LM4040B50I Electrical Characteristics.....	17	9.4 Trademarks.....	30
		9.5 Electrostatic Discharge Caution.....	30
		9.6 Glossary.....	30
		<b>10 Revision History</b> .....	30
		<b>11 Mechanical, Packaging, and Orderable Information</b> .....	31

## 4 Device Comparison Table

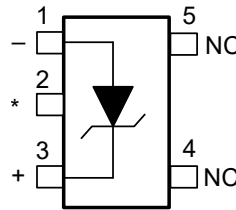
$T_A$	DEVICE GRADE	$V_{KA}$	ORDERABLE <sup>(1)</sup> PART NUMBER
-40°C to 85°C	A grade: 0.1% initial accuracy and 100ppm/°C temperature coefficient	2.048V	LM4040A20I
		2.5V	LM4040A25I
		3V	LM4040A30I
		4.096V	LM4040A41I
		5V	LM4040A50I
		8.192V	LM4040A82I
		10V	LM4040A10I
	B grade: 0.2% initial accuracy and 100ppm/°C temperature coefficient	2.048V	LM4040B20I
		2.5V	LM4040B25I
		3V	LM4040B30I
		4.096V	LM4040B41I
		5V	LM4040B50I
		8.192V	LM4040B82I
		10V	LM4040B10I
-40°C to 85°C	C grade: 0.5% initial accuracy and 100ppm/°C temperature coefficient	2.048V	LM4040C20I
		2.5V	LM4040C25I
		3V	LM4040C30I
		4.096V	LM4040C41I
		5V	LM4040C50I
		8.192V	LM4040C82I
-40°C to 85°C	D grade: 1.0% initial accuracy and 150ppm/°C temperature coefficient	2.048V	LM4040D20I
		2.5V	LM4040D25I
		3V	LM4040D30I
		4.096V	LM4040D41I
		5V	LM4040D50I
		8.192V	LM4040D82I
-40°C to 125°C	C grade: 0.5% initial accuracy and 100ppm/°C temperature coefficient	2.048V	LM4040C20Q
		2.5V	LM4040C25Q
		3V	LM4040C30Q
		5V	LM4040C50Q
	D grade: 1.0% initial accuracy and 150ppm/°C temperature coefficient	2.048V	LM4040D20Q
		2.5V	LM4040D25Q
		3V	LM4040D30Q
		5V	LM4040D50Q

(1) For the most current package and ordering information, see the Package Option Addendum at the end of this document, or see the TI web site at [www.ti.com](http://www.ti.com).

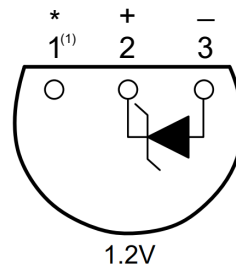
## 5 Pin Configuration and Functions



**Figure 5-1. DBZ Package  
3-Pin SOT-23  
Top View**



**Figure 5-2. DCK Package  
5-Pin SC70  
Top View**



**Figure 5-3. LP Package  
3-Pin TO-92  
Bottom View**

**Table 5-1. Pin Functions**

NAME	PIN			TYPE	DESCRIPTION
	DBZ	DCK	TO-92		
CATHODE	1	3	2	I/O	Shunt Current/Voltage input
ANODE	2	1	3	O	Common pin, normally connected to ground
NC	—	4, 5	—	I	No Internal Connection
*	3	2	1	I	Must float or connect to anode <sup>(1)</sup> .

- (1) In applications with high electromagnetic interference (for example, when placed near transformers or other electromagnetic sources) or significant high-frequency switching noise, TI recommends connecting this pin to the anode.

## 6 Specifications

### 6.1 Absolute Maximum Ratings

over free-air temperature range (unless otherwise noted)<sup>(1)</sup>

		MIN	MAX	UNIT
$I_Z$	Continuous cathode current	-10	25	mA
$T_J$	Operating virtual junction temperature		150	°C
$T_{stg}$	Storage temperature range	-65	150	°C

- (1) Stresses beyond those listed under *Absolute Maximum Ratings* may cause permanent damage to the device. These are stress ratings only, and functional operation of the device at these or any other conditions beyond those indicated under [Section 6.3](#) is not implied. Exposure to absolute-maximum-rated conditions for extended periods may affect device reliability.

### 6.2 ESD Ratings

			VALUE	UNIT
$V_{(ESD)}$	Electrostatic discharge	Human body model (HBM), per ANSI/ESDA/JEDEC JS-001, all pins <sup>(1)</sup>	±2000	V
		Charged device model (CDM), per JEDEC specification JESD22-C101, all pins <sup>(2)</sup>	±500	

- (1) JEDEC document JEP155 states that 500V HBM allows safe manufacturing with a standard ESD control process.  
 (2) JEDEC document JEP157 states that 250V CDM allows safe manufacturing with a standard ESD control process.

### 6.3 Recommended Operating Conditions

			MIN	MAX	UNIT
$I_Z$	Cathode current		(1)	15	mA
$T_A$	Free-air temperature	LM4040xxxI	-40	85	°C
		LM4040xxxQ	-40	125	

- (1) See parametric tables

### 6.4 Thermal Information

THERMAL METRIC <sup>(1)</sup>		LM4040		UNIT
		DBZ	DCK	
		3 PINS	5 PINS	
$R_{\theta JA}$	Junction-to-ambient thermal resistance	206	252	°C/W

- (1) For more information about traditional and new thermal metrics, see the [Semiconductor and IC Package Thermal Metrics](#) application report.

## 6.5 LM4040A20I, LM4040B20I Electrical Characteristics

at industrial temperature range, full-range  $T_A = -40^\circ\text{C}$  to  $85^\circ\text{C}$  (unless otherwise noted)

PARAMETER	TEST CONDITIONS	$T_A$	LM4040A20I			LM4040B20I			UNIT
			MIN	TYP	MAX	MIN	TYP	MAX	
$V_Z$	Reverse breakdown voltage	$I_Z = 100\mu\text{A}$	2.048			2.048			V
$\Delta V_Z$	Reverse breakdown voltage tolerance	$I_Z = 100\mu\text{A}$	25°C		-2	2	-4.1	4.1	mV
			Full range		-15	15	-17	17	
$I_{Z,\text{min}}$	Minimum cathode current		25°C		45	75	45	75	$\mu\text{A}$
			Full range		80				
$\alpha_{VZ}$	Average temperature coefficient of reverse breakdown voltage (2)	$I_Z = 10\text{mA}$	25°C		$\pm 20$		$\pm 20$		ppm/°C
		$I_Z = 1\text{mA}$	25°C		$\pm 15$		$\pm 15$		
			Full range		$\pm 100$				
		$I_Z = 100\mu\text{A}$	25°C		$\pm 15$		$\pm 15$		
$\frac{\Delta V_Z}{\Delta I_Z}$	Reverse breakdown voltage change with cathode current change	$I_{Z,\text{min}} < I_Z < 1\text{mA}$	25°C		0.3	0.8	0.3	0.8	mV
			Full range		1				
		$1\text{mA} < I_Z < 15\text{mA}$	25°C		2.5	6	2.5	6	
			Full range		8				
$Z_Z$	Reverse dynamic impedance	$I_Z = 1\text{mA}$ , $f = 120\text{Hz}$ , $I_{AC} = 0.1 I_Z$	25°C		0.3	0.8	0.3	0.8	$\Omega$
$e_N$	Wideband noise	$I_Z = 100\mu\text{A}$ , $10\text{Hz} \leq f \leq 10\text{kHz}$	25°C		35		35		$\mu\text{V}_{\text{RMS}}$
	Long-term stability of reverse breakdown voltage	$t = 1000\text{h}$ , $T_A = 25^\circ\text{C} \pm 0.1^\circ\text{C}$ , $I_Z = 100\mu\text{A}$			120		120		ppm
$V_{\text{HYST}}$	Thermal hysteresis(1)	$\Delta T_A = -40^\circ\text{C}$ to $125^\circ\text{C}$			0.08%		0.08%		—

- (1) Thermal hysteresis is defined as the difference in voltage measured at  $25^\circ\text{C}$  after cycling to temperature  $-40^\circ\text{C}$  and the  $25^\circ\text{C}$  measurement after cycling to temperature  $125^\circ\text{C}$ .
- (2) The overtemperature limit for Reverse Breakdown Voltage Tolerance is defined as the room temperature Reverse Breakdown Voltage Tolerance  $\pm[(\Delta V_R/\Delta T)(\text{max}\Delta T)(V_R)]$ . Where,  $\Delta V_R/\Delta T$  is the  $V_R$  temperature coefficient,  $\text{max}\Delta T$  is the maximum difference in temperature from the reference point of  $25^\circ\text{C}$  to  $T_{\text{MIN}}$  or  $T_{\text{MAX}}$ , and  $V_R$  is the reverse breakdown voltage. The total overtemperature tolerance for the different grades in the industrial temperature range where  $\text{max}\Delta T = 65^\circ\text{C}$  is shown below:  
 A-grade:  $\pm 0.75\% = \pm 0.1\% \pm 100\text{ppm}/^\circ\text{C} \times 65^\circ\text{C}$   
 B-grade:  $\pm 0.85\% = \pm 0.2\% \pm 100\text{ppm}/^\circ\text{C} \times 65^\circ\text{C}$   
 C-grade:  $\pm 1.15\% = \pm 0.5\% \pm 100\text{ppm}/^\circ\text{C} \times 65^\circ\text{C}$   
 D-grade:  $\pm 1.98\% = \pm 1.0\% \pm 150\text{ppm}/^\circ\text{C} \times 65^\circ\text{C}$   
 The total overtemperature tolerance for the different grades in the extended temperature range where  $\text{max}\Delta T = 100^\circ\text{C}$  is shown below:  
 C-grade:  $\pm 1.5\% = \pm 0.5\% \pm 100\text{ppm}/^\circ\text{C} \times 100^\circ\text{C}$   
 D-grade:  $\pm 2.5\% = \pm 1.0\% \pm 150\text{ppm}/^\circ\text{C} \times 100^\circ\text{C}$   
 Therefore, as an example, the A-grade 2.5V LM4040 has an overtemperature Reverse Breakdown Voltage tolerance of  $\pm 2.5\text{V} \times 0.75\% = \pm 19\text{mV}$ .

## 6.6 LM4040C20I, LM4040D20I Electrical Characteristics

at industrial temperature range, full-range  $T_A = -40^\circ\text{C}$  to  $85^\circ\text{C}$  (unless otherwise noted)

PARAMETER	TEST CONDITIONS	$T_A$	LM4040C20I			LM4040D20I			UNIT
			MIN	TYP	MAX	MIN	TYP	MAX	
$V_Z$	Reverse breakdown voltage	$I_Z = 100\mu\text{A}$	2.048			2.048			V
$\Delta V_Z$	Reverse breakdown voltage tolerance	$I_Z = 100\mu\text{A}$	25°C	-10	10	-20	20	mV	
			Full range	-23	23	-40	40		
$I_{Z,\text{min}}$	Minimum cathode current		25°C	45	75	45	75	$\mu\text{A}$	
			Full range	80			80		
$\alpha_{VZ}$	Average temperature coefficient of reverse breakdown voltage (2)	$I_Z = 10\text{mA}$	25°C	$\pm 20$		$\pm 20$		ppm/°C	
		$I_Z = 1\text{mA}$	25°C	$\pm 15$		$\pm 15$			
			Full range	$\pm 100$		$\pm 150$			
		$I_Z = 100\mu\text{A}$	25°C	$\pm 15$		$\pm 15$			
$\frac{\Delta V_Z}{\Delta I_Z}$	Reverse breakdown voltage change with cathode current change	$I_{Z,\text{min}} < I_Z < 1\text{mA}$	25°C	0.3	0.8	0.3	1	mV	
			Full range	1		1.2			
		$1\text{mA} < I_Z < 15\text{mA}$	25°C	2.5	6	2.5	8		
			Full range	8		10			
$Z_Z$	Reverse dynamic impedance	$I_Z = 1\text{mA}$ , $f = 120\text{Hz}$ , $I_{AC} = 0.1 I_Z$	25°C	0.3	0.9	0.3	1.1	$\Omega$	
$e_N$	Wideband noise	$I_Z = 100\mu\text{A}$ , $10\text{Hz} \leq f \leq 10\text{kHz}$	25°C	35		35		$\mu\text{V}_{\text{RMS}}$	
	Long-term stability of reverse breakdown voltage	$t = 1000\text{h}$ , $T_A = 25^\circ\text{C} \pm 0.1^\circ\text{C}$ , $I_Z = 100\mu\text{A}$		120		120		ppm	
$V_{\text{HYST}}$	Thermal hysteresis(1)	$\Delta T_A = -40^\circ\text{C}$ to $125^\circ\text{C}$		0.08%		0.08%		—	

- (1) Thermal hysteresis is defined as the difference in voltage measured at  $25^\circ\text{C}$  after cycling to temperature  $-40^\circ\text{C}$  and the  $25^\circ\text{C}$  measurement after cycling to temperature  $125^\circ\text{C}$ .
- (2) The overtemperature limit for Reverse Breakdown Voltage Tolerance is defined as the room temperature Reverse Breakdown Voltage Tolerance  $\pm[(\Delta V_R/\Delta T)(\text{max}\Delta T)(V_R)]$ . Where,  $\Delta V_R/\Delta T$  is the  $V_R$  temperature coefficient,  $\text{max}\Delta T$  is the maximum difference in temperature from the reference point of  $25^\circ\text{C}$  to  $T_{\text{MIN}}$  or  $T_{\text{MAX}}$ , and  $V_R$  is the reverse breakdown voltage. The total overtemperature tolerance for the different grades in the industrial temperature range where  $\text{max}\Delta T = 65^\circ\text{C}$  is shown below:  
A-grade:  $\pm 0.75\% = \pm 0.1\% \pm 100\text{ppm}/^\circ\text{C} \times 65^\circ\text{C}$   
B-grade:  $\pm 0.85\% = \pm 0.2\% \pm 100\text{ppm}/^\circ\text{C} \times 65^\circ\text{C}$   
C-grade:  $\pm 1.15\% = \pm 0.5\% \pm 100\text{ppm}/^\circ\text{C} \times 65^\circ\text{C}$   
D-grade:  $\pm 1.98\% = \pm 1.0\% \pm 150\text{ppm}/^\circ\text{C} \times 65^\circ\text{C}$   
The total overtemperature tolerance for the different grades in the extended temperature range where  $\text{max}\Delta T = 100^\circ\text{C}$  is shown below:  
C-grade:  $\pm 1.5\% = \pm 0.5\% \pm 100\text{ppm}/^\circ\text{C} \times 100^\circ\text{C}$   
D-grade:  $\pm 2.5\% = \pm 1.0\% \pm 150\text{ppm}/^\circ\text{C} \times 100^\circ\text{C}$   
Therefore, as an example, the A-grade 2.5V LM4040 has an overtemperature Reverse Breakdown Voltage tolerance of  $\pm 2.5\text{V} \times 0.75\% = \pm 19\text{mV}$ .

## 6.7 LM4040C20Q, LM4040D20Q Electrical Characteristics

at extended temperature range, full-range  $T_A = -40^\circ\text{C}$  to  $125^\circ\text{C}$  (unless otherwise noted)

PARAMETER	TEST CONDITIONS	$T_A$	LM4040C20Q			LM4040D20Q			UNIT		
			MIN	TYP	MAX	MIN	TYP	MAX			
$V_Z$	Reverse breakdown voltage	$I_Z = 100\mu\text{A}$	25°C			2.048			V		
$\Delta V_Z$	Reverse breakdown voltage tolerance	$I_Z = 100\mu\text{A}$	25°C			-10	10		-20	20	mV
			Full range			-30	30		-50	50	
$I_{Z,\text{min}}$	Minimum cathode current		25°C			45	75		45	75	$\mu\text{A}$
			Full range			80		80			
$\alpha_{VZ}$	Average temperature coefficient of reverse breakdown voltage (2)	$I_Z = 10\text{mA}$	25°C			$\pm 20$			ppm/°C		
			$I_Z = 1\text{mA}$	25°C			$\pm 15$				
				Full range			$\pm 100$				
			$I_Z = 100\mu\text{A}$	25°C			$\pm 15$				
$\frac{\Delta V_Z}{\Delta I_Z}$	Reverse breakdown voltage change with cathode current change	$I_{Z,\text{min}} < I_Z < 1\text{mA}$	25°C			0.3	0.8		0.3	1	mV
			Full range			1		1.2			
		$1\text{mA} < I_Z < 15\text{mA}$	25°C			2.5	6		2.5	8	
			Full range			8		10			
$Z_Z$	Reverse dynamic impedance	$I_Z = 1\text{mA}$ , $f = 120\text{Hz}$ , $I_{AC} = 0.1 I_Z$	25°C			0.3	0.9		0.3	1.1	$\Omega$
$e_N$	Wideband noise	$I_Z = 100\mu\text{A}$ , $10\text{Hz} \leq f \leq 10\text{kHz}$	25°C			35			35	$\mu\text{V}_{\text{RMS}}$	
	Long-term stability of reverse breakdown voltage	$t = 1000\text{h}$ , $T_A = 25^\circ\text{C} \pm 0.1^\circ\text{C}$ , $I_Z = 100\mu\text{A}$				120			120	ppm	
$V_{\text{HYST}}$	Thermal hysteresis(1)	$\Delta T_A = -40^\circ\text{C}$ to $125^\circ\text{C}$				0.08%			0.08%	—	

- (1) Thermal hysteresis is defined as the difference in voltage measured at  $25^\circ\text{C}$  after cycling to temperature  $-40^\circ\text{C}$  and the  $25^\circ\text{C}$  measurement after cycling to temperature  $125^\circ\text{C}$ .
- (2) The overtemperature limit for Reverse Breakdown Voltage Tolerance is defined as the room temperature Reverse Breakdown Voltage Tolerance  $\pm[(\Delta V_R/\Delta T)(\text{max}\Delta T)(V_R)]$ . Where,  $\Delta V_R/\Delta T$  is the  $V_R$  temperature coefficient,  $\text{max}\Delta T$  is the maximum difference in temperature from the reference point of  $25^\circ\text{C}$  to  $T_{\text{MIN}}$  or  $T_{\text{MAX}}$ , and  $V_R$  is the reverse breakdown voltage. The total overtemperature tolerance for the different grades in the industrial temperature range where  $\text{max}\Delta T = 65^\circ\text{C}$  is shown below:  
 A-grade:  $\pm 0.75\% = \pm 0.1\% \pm 100\text{ppm}/^\circ\text{C} \times 65^\circ\text{C}$   
 B-grade:  $\pm 0.85\% = \pm 0.2\% \pm 100\text{ppm}/^\circ\text{C} \times 65^\circ\text{C}$   
 C-grade:  $\pm 1.15\% = \pm 0.5\% \pm 100\text{ppm}/^\circ\text{C} \times 65^\circ\text{C}$   
 D-grade:  $\pm 1.98\% = \pm 1.0\% \pm 150\text{ppm}/^\circ\text{C} \times 65^\circ\text{C}$   
 The total overtemperature tolerance for the different grades in the extended temperature range where  $\text{max}\Delta T = 100^\circ\text{C}$  is shown below:  
 C-grade:  $\pm 1.5\% = \pm 0.5\% \pm 100\text{ppm}/^\circ\text{C} \times 100^\circ\text{C}$   
 D-grade:  $\pm 2.5\% = \pm 1.0\% \pm 150\text{ppm}/^\circ\text{C} \times 100^\circ\text{C}$   
 Therefore, as an example, the A-grade 2.5V LM4040 has an overtemperature Reverse Breakdown Voltage tolerance of  $\pm 2.5\text{V} \times 0.75\% = \pm 19\text{mV}$ .

## 6.8 LM4040A25I, LM4040B25I Electrical Characteristics

at industrial temperature range, full-range  $T_A = -40^\circ\text{C}$  to  $85^\circ\text{C}$  (unless otherwise noted)

PARAMETER	TEST CONDITIONS	$T_A$	LM4040A25I			LM4040B25I			UNIT
			MIN	TYP	MAX	MIN	TYP	MAX	
$V_Z$	Reverse breakdown voltage	$I_Z = 100\mu\text{A}$	25			2.5			V
$\Delta V_Z$	Reverse breakdown voltage tolerance	$I_Z = 100\mu\text{A}$	25		-2.5		2.5		mV
			Full range		-19		19		
$I_{Z,\text{min}}$	Minimum cathode current		25		45		75		$\mu\text{A}$
			Full range				80		
$\alpha_{VZ}$	Average temperature coefficient of reverse breakdown voltage (2)	$I_Z = 10\text{mA}$	25		$\pm 20$		$\pm 20$		ppm/ $^\circ\text{C}$
		$I_Z = 1\text{mA}$	25		$\pm 15$		$\pm 15$		
			Full range				$\pm 100$		
		$I_Z = 100\mu\text{A}$	25		$\pm 15$		$\pm 15$		
$\frac{\Delta V_Z}{\Delta I_Z}$	Reverse breakdown voltage change with cathode current change	$I_{Z,\text{min}} < I_Z < 1\text{mA}$	25		0.3		0.8		mV
			Full range				1		
		$1\text{mA} < I_Z < 15\text{mA}$	25		2.5		6		
			Full range				8		
$Z_Z$	Reverse dynamic impedance	$I_Z = 1\text{mA}$ , $f = 120\text{Hz}$ , $I_{AC} = 0.1 I_Z$	25		0.3		0.8		$\Omega$
$e_N$	Wideband noise	$I_Z = 100\mu\text{A}$ , $10\text{Hz} \leq f \leq 10\text{kHz}$	25		35		35		$\mu\text{V}_{\text{RMS}}$
	Long-term stability of reverse breakdown voltage	$t = 1000\text{h}$ , $T_A = 25^\circ\text{C} \pm 0.1^\circ\text{C}$ , $I_Z = 100\mu\text{A}$			120		120		ppm
$V_{\text{HYST}}$	Thermal hysteresis(1)	$\Delta T_A = -40^\circ\text{C}$ to $125^\circ\text{C}$			0.08%		0.08%		—

- (1) Thermal hysteresis is defined as the difference in voltage measured at  $25^\circ\text{C}$  after cycling to temperature  $-40^\circ\text{C}$  and the  $25^\circ\text{C}$  measurement after cycling to temperature  $125^\circ\text{C}$ .
- (2) The overtemperature limit for Reverse Breakdown Voltage Tolerance is defined as the room temperature Reverse Breakdown Voltage Tolerance  $\pm[(\Delta V_R/\Delta T)(\text{max}\Delta T)(V_R)]$ . Where,  $\Delta V_R/\Delta T$  is the  $V_R$  temperature coefficient,  $\text{max}\Delta T$  is the maximum difference in temperature from the reference point of  $25^\circ\text{C}$  to  $T_{\text{MIN}}$  or  $T_{\text{MAX}}$ , and  $V_R$  is the reverse breakdown voltage. The total overtemperature tolerance for the different grades in the industrial temperature range where  $\text{max}\Delta T = 65^\circ\text{C}$  is shown below:  
A-grade:  $\pm 0.75\% = \pm 0.1\% \pm 100\text{ppm}/^\circ\text{C} \times 65^\circ\text{C}$   
B-grade:  $\pm 0.85\% = \pm 0.2\% \pm 100\text{ppm}/^\circ\text{C} \times 65^\circ\text{C}$   
C-grade:  $\pm 1.15\% = \pm 0.5\% \pm 100\text{ppm}/^\circ\text{C} \times 65^\circ\text{C}$   
D-grade:  $\pm 1.98\% = \pm 1.0\% \pm 150\text{ppm}/^\circ\text{C} \times 65^\circ\text{C}$   
The total overtemperature tolerance for the different grades in the extended temperature range where  $\text{max}\Delta T = 100^\circ\text{C}$  is shown below:  
C-grade:  $\pm 1.5\% = \pm 0.5\% \pm 100\text{ppm}/^\circ\text{C} \times 100^\circ\text{C}$   
D-grade:  $\pm 2.5\% = \pm 1.0\% \pm 150\text{ppm}/^\circ\text{C} \times 100^\circ\text{C}$   
Therefore, as an example, the A-grade 2.5V LM4040 has an overtemperature Reverse Breakdown Voltage tolerance of  $\pm 2.5\text{V} \times 0.75\% = \pm 19\text{mV}$ .

## 6.9 LM4040C25I, LM4040D25I Electrical Characteristics

at industrial temperature range, full-range  $T_A = -40^\circ\text{C}$  to  $85^\circ\text{C}$  (unless otherwise noted)

PARAMETER	TEST CONDITIONS	$T_A$	LM4040C25I			LM4040D25I			UNIT
			MIN	TYP	MAX	MIN	TYP	MAX	
$V_Z$	Reverse breakdown voltage	$I_Z = 100\mu\text{A}$	25			2.5			V
$\Delta V_Z$	Reverse breakdown voltage tolerance	$I_Z = 100\mu\text{A}$	25			-25			mV
			Full range			-49			
$I_{Z,\text{min}}$	Minimum cathode current	$I_Z = 100\mu\text{A}$	25			45			$\mu\text{A}$
			Full range			80			
$\alpha_{VZ}$	Average temperature coefficient of reverse breakdown voltage (2)	$I_Z = 10\text{mA}$	25			$\pm 20$			ppm/ $^\circ\text{C}$
		$I_Z = 1\text{mA}$	25			$\pm 15$			
			Full range			$\pm 100$			
		$I_Z = 100\mu\text{A}$	25			$\pm 15$			
$\frac{\Delta V_Z}{\Delta I_Z}$	Reverse breakdown voltage change with cathode current change	$I_{Z,\text{min}} < I_Z < 1\text{mA}$	25			0.3 0.8			mV
			Full range			1			
		$1\text{mA} < I_Z < 15\text{mA}$	25			2.5 6			
			Full range			8			
$Z_Z$	Reverse dynamic impedance	$I_Z = 1\text{mA}$ , $f = 120\text{Hz}$ , $I_{AC} = 0.1 I_Z$	25			0.3 0.9			$\Omega$
$e_N$	Wideband noise	$I_Z = 100\mu\text{A}$ , $10\text{Hz} \leq f \leq 10\text{kHz}$	25			35			$\mu\text{V}_{\text{RMS}}$
	Long-term stability of reverse breakdown voltage	$t = 1000\text{h}$ , $T_A = 25^\circ\text{C} \pm 0.1^\circ\text{C}$ , $I_Z = 100\mu\text{A}$				120			ppm
$V_{\text{HYST}}$	Thermal hysteresis(1)	$\Delta T_A = -40^\circ\text{C}$ to $125^\circ\text{C}$				0.08%			—

- (1) Thermal hysteresis is defined as the difference in voltage measured at  $25^\circ\text{C}$  after cycling to temperature  $-40^\circ\text{C}$  and the  $25^\circ\text{C}$  measurement after cycling to temperature  $125^\circ\text{C}$ .
- (2) The overtemperature limit for Reverse Breakdown Voltage Tolerance is defined as the room temperature Reverse Breakdown Voltage Tolerance  $\pm[(\Delta V_R/\Delta T)(\text{max}\Delta T)(V_R)]$ . Where,  $\Delta V_R/\Delta T$  is the  $V_R$  temperature coefficient,  $\text{max}\Delta T$  is the maximum difference in temperature from the reference point of  $25^\circ\text{C}$  to  $T_{\text{MIN}}$  or  $T_{\text{MAX}}$ , and  $V_R$  is the reverse breakdown voltage. The total overtemperature tolerance for the different grades in the industrial temperature range where  $\text{max}\Delta T = 65^\circ\text{C}$  is shown below:  
A-grade:  $\pm 0.75\% = \pm 0.1\% \pm 100\text{ppm}/^\circ\text{C} \times 65^\circ\text{C}$   
B-grade:  $\pm 0.85\% = \pm 0.2\% \pm 100\text{ppm}/^\circ\text{C} \times 65^\circ\text{C}$   
C-grade:  $\pm 1.15\% = \pm 0.5\% \pm 100\text{ppm}/^\circ\text{C} \times 65^\circ\text{C}$   
D-grade:  $\pm 1.98\% = \pm 1.0\% \pm 150\text{ppm}/^\circ\text{C} \times 65^\circ\text{C}$   
The total overtemperature tolerance for the different grades in the extended temperature range where  $\text{max}\Delta T = 100^\circ\text{C}$  is shown below:  
C-grade:  $\pm 1.5\% = \pm 0.5\% \pm 100\text{ppm}/^\circ\text{C} \times 100^\circ\text{C}$   
D-grade:  $\pm 2.5\% = \pm 1.0\% \pm 150\text{ppm}/^\circ\text{C} \times 100^\circ\text{C}$   
Therefore, as an example, the A-grade 2.5V LM4040 has an overtemperature Reverse Breakdown Voltage tolerance of  $\pm 2.5\text{V} \times 0.75\% = \pm 19\text{mV}$ .

## 6.10 LM4040C25Q, LM4040D25Q Electrical Characteristics

at extended temperature range, full-range  $T_A = -40^\circ\text{C}$  to  $125^\circ\text{C}$  (unless otherwise noted)

PARAMETER	TEST CONDITIONS	$T_A$	LM4040C25Q			LM4040D25Q			UNIT		
			MIN	TYP	MAX	MIN	TYP	MAX			
$V_Z$	Reverse breakdown voltage	$I_Z = 100\mu\text{A}$	25			2.5			V		
$\Delta V_Z$	Reverse breakdown voltage tolerance	$I_Z = 100\mu\text{A}$	25		-12		12		mV		
			Full range		-38		38				
$I_{Z,\text{min}}$	Minimum cathode current		25		45		75		$\mu\text{A}$		
			Full range				80				
$\alpha_{VZ}$	Average temperature coefficient of reverse breakdown voltage (2)	$I_Z = 10\text{mA}$	25		$\pm 20$		$\pm 20$		ppm/ $^\circ\text{C}$		
		$I_Z = 1\text{mA}$	25		$\pm 15$		$\pm 15$				
			Full range				$\pm 100$			$\pm 150$	
		$I_Z = 100\mu\text{A}$	25		$\pm 15$		$\pm 15$				
$\frac{\Delta V_Z}{\Delta I_Z}$	Reverse breakdown voltage change with cathode current change	$I_{Z,\text{min}} < I_Z < 1\text{mA}$	25		0.3		0.8		mV		
			Full range				1				
		$1\text{mA} < I_Z < 15\text{mA}$	25		2.5		6			2.5	
			Full range				8			10	
$Z_Z$	Reverse dynamic impedance	$I_Z = 1\text{mA}$ , $f = 120\text{Hz}$ , $I_{AC} = 0.1 I_Z$	25		0.3		0.9		$\Omega$		
$e_N$	Wideband noise	$I_Z = 100\mu\text{A}$ , $10\text{Hz} \leq f \leq 10\text{kHz}$	25		35		35		$\mu\text{V}_{\text{RMS}}$		
	Long-term stability of reverse breakdown voltage	$t = 1000\text{h}$ , $T_A = 25^\circ\text{C} \pm 0.1^\circ\text{C}$ , $I_Z = 100\mu\text{A}$			120		120		ppm		
$V_{\text{HYST}}$	Thermal hysteresis(1)	$\Delta T_A = -40^\circ\text{C}$ to $125^\circ\text{C}$			0.08%		0.08%		—		

- Thermal hysteresis is defined as the difference in voltage measured at  $25^\circ\text{C}$  after cycling to temperature  $-40^\circ\text{C}$  and the  $25^\circ\text{C}$  measurement after cycling to temperature  $125^\circ\text{C}$ .
- The overtemperature limit for Reverse Breakdown Voltage Tolerance is defined as the room temperature Reverse Breakdown Voltage Tolerance  $\pm[(\Delta V_R/\Delta T)(\text{max}\Delta T)(V_R)]$ . Where,  $\Delta V_R/\Delta T$  is the  $V_R$  temperature coefficient,  $\text{max}\Delta T$  is the maximum difference in temperature from the reference point of  $25^\circ\text{C}$  to  $T_{\text{MIN}}$  or  $T_{\text{MAX}}$ , and  $V_R$  is the reverse breakdown voltage. The total overtemperature tolerance for the different grades in the industrial temperature range where  $\text{max}\Delta T = 65^\circ\text{C}$  is shown below:  
 A-grade:  $\pm 0.75\% = \pm 0.1\% \pm 100\text{ppm}/^\circ\text{C} \times 65^\circ\text{C}$   
 B-grade:  $\pm 0.85\% = \pm 0.2\% \pm 100\text{ppm}/^\circ\text{C} \times 65^\circ\text{C}$   
 C-grade:  $\pm 1.15\% = \pm 0.5\% \pm 100\text{ppm}/^\circ\text{C} \times 65^\circ\text{C}$   
 D-grade:  $\pm 1.98\% = \pm 1.0\% \pm 150\text{ppm}/^\circ\text{C} \times 65^\circ\text{C}$   
 The total overtemperature tolerance for the different grades in the extended temperature range where  $\text{max}\Delta T = 100^\circ\text{C}$  is shown below:  
 C-grade:  $\pm 1.5\% = \pm 0.5\% \pm 100\text{ppm}/^\circ\text{C} \times 100^\circ\text{C}$   
 D-grade:  $\pm 2.5\% = \pm 1.0\% \pm 150\text{ppm}/^\circ\text{C} \times 100^\circ\text{C}$   
 Therefore, as an example, the A-grade 2.5V LM4040 has an overtemperature Reverse Breakdown Voltage tolerance of  $\pm 2.5\text{V} \times 0.75\% = \pm 19\text{mV}$ .

## 6.11 LM4040A30I, LM4040B30I Electrical Characteristics

at industrial temperature range, full-range  $T_A = -40^\circ\text{C}$  to  $85^\circ\text{C}$  (unless otherwise noted)

PARAMETER	TEST CONDITIONS	$T_A$	LM4040A30I			LM4040B30I			UNIT
			MIN	TYP	MAX	MIN	TYP	MAX	
$V_Z$	Reverse breakdown voltage	$I_Z = 100\mu\text{A}$	25°C			3			V
$\Delta V_Z$	Reverse breakdown voltage tolerance	$I_Z = 100\mu\text{A}$	25°C			-3      3			mV
			Full range			-22      22			
$I_{Z,\text{min}}$	Minimum cathode current		25°C			47      77			$\mu\text{A}$
			Full range			82      82			
$\alpha_{VZ}$	Average temperature coefficient of reverse breakdown voltage (2)	$I_Z = 10\text{mA}$	25°C			$\pm 20$			ppm/°C
		$I_Z = 1\text{mA}$	25°C			$\pm 15$			
			Full range			$\pm 100$			
		$I_Z = 100\mu\text{A}$	25°C			$\pm 15$			
$\frac{\Delta V_Z}{\Delta I_Z}$	Reverse breakdown voltage change with cathode current change	$I_{Z,\text{min}} < I_Z < 1\text{mA}$	25°C			0.6      0.8			mV
			Full range			1.1      1.1			
		$1\text{mA} < I_Z < 15\text{mA}$	25°C			2.7      6			
			Full range			9      9			
$Z_Z$	Reverse dynamic impedance	$I_Z = 1\text{mA}$ , $f = 120\text{Hz}$ , $I_{AC} = 0.1 I_Z$	25°C			0.4      0.9			$\Omega$
$e_N$	Wideband noise	$I_Z = 100\mu\text{A}$ , $10\text{Hz} \leq f \leq 10\text{kHz}$	25°C			35			$\mu\text{V}_{\text{RMS}}$
	Long-term stability of reverse breakdown voltage	$t = 1000\text{h}$ , $T_A = 25^\circ\text{C} \pm 0.1^\circ\text{C}$ , $I_Z = 100\mu\text{A}$				120			ppm
$V_{\text{HYST}}$	Thermal hysteresis(1)	$\Delta T_A = -40^\circ\text{C}$ to $125^\circ\text{C}$				0.08%			—

- (1) Thermal hysteresis is defined as the difference in voltage measured at  $25^\circ\text{C}$  after cycling to temperature  $-40^\circ\text{C}$  and the  $25^\circ\text{C}$  measurement after cycling to temperature  $125^\circ\text{C}$ .
- (2) The overtemperature limit for Reverse Breakdown Voltage Tolerance is defined as the room temperature Reverse Breakdown Voltage Tolerance  $\pm[(\Delta V_R/\Delta T)(\text{max}\Delta T)(V_R)]$ . Where,  $\Delta V_R/\Delta T$  is the  $V_R$  temperature coefficient,  $\text{max}\Delta T$  is the maximum difference in temperature from the reference point of  $25^\circ\text{C}$  to  $T_{\text{MIN}}$  or  $T_{\text{MAX}}$ , and  $V_R$  is the reverse breakdown voltage. The total overtemperature tolerance for the different grades in the industrial temperature range where  $\text{max}\Delta T = 65^\circ\text{C}$  is shown below:  
A-grade:  $\pm 0.75\% = \pm 0.1\% \pm 100\text{ppm}/^\circ\text{C} \times 65^\circ\text{C}$   
B-grade:  $\pm 0.85\% = \pm 0.2\% \pm 100\text{ppm}/^\circ\text{C} \times 65^\circ\text{C}$   
C-grade:  $\pm 1.15\% = \pm 0.5\% \pm 100\text{ppm}/^\circ\text{C} \times 65^\circ\text{C}$   
D-grade:  $\pm 1.98\% = \pm 1.0\% \pm 150\text{ppm}/^\circ\text{C} \times 65^\circ\text{C}$   
The total overtemperature tolerance for the different grades in the extended temperature range where  $\text{max}\Delta T = 100^\circ\text{C}$  is shown below:  
C-grade:  $\pm 1.5\% = \pm 0.5\% \pm 100\text{ppm}/^\circ\text{C} \times 100^\circ\text{C}$   
D-grade:  $\pm 2.5\% = \pm 1.0\% \pm 150\text{ppm}/^\circ\text{C} \times 100^\circ\text{C}$   
Therefore, as an example, the A-grade 2.5V LM4040 has an overtemperature Reverse Breakdown Voltage tolerance of  $\pm 2.5\text{V} \times 0.75\% = \pm 19\text{mV}$ .

## 6.12 LM4040C30I, LM4040D30I Electrical Characteristics

at industrial temperature range, full-range  $T_A = -40^\circ\text{C}$  to  $85^\circ\text{C}$  (unless otherwise noted)

PARAMETER	TEST CONDITIONS	$T_A$	LM4040C30I			LM4040D30I			UNIT	
			MIN	TYP	MAX	MIN	TYP	MAX		
$V_Z$	Reverse breakdown voltage	$I_Z = 100\mu\text{A}$	25°C			3			V	
$\Delta V_Z$	Reverse breakdown voltage tolerance	$I_Z = 100\mu\text{A}$	25°C			-15      15			mV	
			Full range			-34      34				
$I_{Z,\text{min}}$	Minimum cathode current		25°C			45      77			$\mu\text{A}$	
			Full range			82      82				
$\alpha_{VZ}$	Average temperature coefficient of reverse breakdown voltage (2)	$I_Z = 10\text{mA}$	25°C			$\pm 20$			ppm/°C	
			$I_Z = 1\text{mA}$	25°C			$\pm 15$			
				Full range			$\pm 100$			
			$I_Z = 100\mu\text{A}$	25°C			$\pm 15$			
$\frac{\Delta V_Z}{\Delta I_Z}$	Reverse breakdown voltage change with cathode current change	$I_{Z,\text{min}} < I_Z < 1\text{mA}$	25°C			0.4      0.8			mV	
			Full range			1.1      1.3				
		$1\text{mA} < I_Z < 15\text{mA}$	25°C			2.7      6				
			Full range			9      11				
$Z_Z$	Reverse dynamic impedance	$I_Z = 1\text{mA}$ , $f = 120\text{Hz}$ , $I_{AC} = 0.1 I_Z$	25°C			0.4      0.9			$\Omega$	
$e_N$	Wideband noise	$I_Z = 100\mu\text{A}$ , $10\text{Hz} \leq f \leq 10\text{kHz}$	25°C			35      35			$\mu\text{V}_{\text{RMS}}$	
	Long-term stability of reverse breakdown voltage	$t = 1000\text{h}$ , $T_A = 25^\circ\text{C} \pm 0.1^\circ\text{C}$ , $I_Z = 100\mu\text{A}$				120      120			ppm	
$V_{\text{HYST}}$	Thermal hysteresis(1)	$\Delta T_A = -40^\circ\text{C}$ to $125^\circ\text{C}$				0.08%      0.08%			—	

- (1) Thermal hysteresis is defined as the difference in voltage measured at  $25^\circ\text{C}$  after cycling to temperature  $-40^\circ\text{C}$  and the  $25^\circ\text{C}$  measurement after cycling to temperature  $125^\circ\text{C}$ .
- (2) The overtemperature limit for Reverse Breakdown Voltage Tolerance is defined as the room temperature Reverse Breakdown Voltage Tolerance  $\pm[(\Delta V_R/\Delta T)(\text{max}\Delta T)(V_R)]$ . Where,  $\Delta V_R/\Delta T$  is the  $V_R$  temperature coefficient,  $\text{max}\Delta T$  is the maximum difference in temperature from the reference point of  $25^\circ\text{C}$  to  $T_{\text{MIN}}$  or  $T_{\text{MAX}}$ , and  $V_R$  is the reverse breakdown voltage. The total overtemperature tolerance for the different grades in the industrial temperature range where  $\text{max}\Delta T = 65^\circ\text{C}$  is shown below:  
A-grade:  $\pm 0.75\% = \pm 0.1\% \pm 100\text{ppm}/^\circ\text{C} \times 65^\circ\text{C}$   
B-grade:  $\pm 0.85\% = \pm 0.2\% \pm 100\text{ppm}/^\circ\text{C} \times 65^\circ\text{C}$   
C-grade:  $\pm 1.15\% = \pm 0.5\% \pm 100\text{ppm}/^\circ\text{C} \times 65^\circ\text{C}$   
D-grade:  $\pm 1.98\% = \pm 1.0\% \pm 150\text{ppm}/^\circ\text{C} \times 65^\circ\text{C}$   
The total overtemperature tolerance for the different grades in the extended temperature range where  $\text{max}\Delta T = 100^\circ\text{C}$  is shown below:  
C-grade:  $\pm 1.5\% = \pm 0.5\% \pm 100\text{ppm}/^\circ\text{C} \times 100^\circ\text{C}$   
D-grade:  $\pm 2.5\% = \pm 1.0\% \pm 150\text{ppm}/^\circ\text{C} \times 100^\circ\text{C}$   
Therefore, as an example, the A-grade 2.5V LM4040 has an overtemperature Reverse Breakdown Voltage tolerance of  $\pm 2.5\text{V} \times 0.75\% = \pm 19\text{mV}$ .

### 6.13 LM4040C30Q, LM4040D30Q Electrical Characteristics

at extended temperature range, full-range  $T_A = -40^\circ\text{C}$  to  $125^\circ\text{C}$  (unless otherwise noted)

PARAMETER	TEST CONDITIONS	$T_A$	LM4040C30Q			LM4040D30Q			UNIT
			MIN	TYP	MAX	MIN	TYP	MAX	
$V_Z$	Reverse breakdown voltage	$I_Z = 100\mu\text{A}$	25°C			3			V
$\Delta V_Z$	Reverse breakdown voltage tolerance	$I_Z = 100\mu\text{A}$	25°C			-15      15			mV
			Full range			-45      45			
$I_{Z,\text{min}}$	Minimum cathode current		25°C			47      77			$\mu\text{A}$
			Full range			82      82			
$\alpha_{VZ}$	Average temperature coefficient of reverse breakdown voltage (2)	$I_Z = 10\text{mA}$	25°C			$\pm 20$			ppm/°C
		$I_Z = 1\text{mA}$	25°C			$\pm 15$			
			Full range			$\pm 100$			
		$I_Z = 100\mu\text{A}$	25°C			$\pm 15$			
$\frac{\Delta V_Z}{\Delta I_Z}$	Reverse breakdown voltage change with cathode current change	$I_{Z,\text{min}} < I_Z < 1\text{mA}$	25°C			0.4      0.8			mV
			Full range			1.1      1.3			
		$1\text{mA} < I_Z < 15\text{mA}$	25°C			2.7      6			
			Full range			9      11			
$Z_Z$	Reverse dynamic impedance	$I_Z = 1\text{mA}$ , $f = 120\text{Hz}$ , $I_{AC} = 0.1 I_Z$	25°C			0.4      0.9			$\Omega$
$e_N$	Wideband noise	$I_Z = 100\mu\text{A}$ , $10\text{Hz} \leq f \leq 10\text{kHz}$	25°C			35			$\mu\text{V}_{\text{RMS}}$
	Long-term stability of reverse breakdown voltage	$t = 1000\text{ h}$ , $T_A = 25^\circ\text{C} \pm 0.1^\circ\text{C}$ , $I_Z = 100\mu\text{A}$				120			ppm
$V_{\text{HYST}}$	Thermal hysteresis(1)	$\Delta T_A = -40^\circ\text{C}$ to $125^\circ\text{C}$				0.08%			—

- (1) Thermal hysteresis is defined as the difference in voltage measured at  $25^\circ\text{C}$  after cycling to temperature  $-40^\circ\text{C}$  and the  $25^\circ\text{C}$  measurement after cycling to temperature  $125^\circ\text{C}$ .
- (2) The overtemperature limit for Reverse Breakdown Voltage Tolerance is defined as the room temperature Reverse Breakdown Voltage Tolerance  $\pm[(\Delta V_R/\Delta T)(\text{max}\Delta T)(V_R)]$ . Where,  $\Delta V_R/\Delta T$  is the  $V_R$  temperature coefficient,  $\text{max}\Delta T$  is the maximum difference in temperature from the reference point of  $25^\circ\text{C}$  to  $T_{\text{MIN}}$  or  $T_{\text{MAX}}$ , and  $V_R$  is the reverse breakdown voltage. The total overtemperature tolerance for the different grades in the industrial temperature range where  $\text{max}\Delta T = 65^\circ\text{C}$  is shown below:  
 A-grade:  $\pm 0.75\% = \pm 0.1\% \pm 100\text{ppm}/^\circ\text{C} \times 65^\circ\text{C}$   
 B-grade:  $\pm 0.85\% = \pm 0.2\% \pm 100\text{ppm}/^\circ\text{C} \times 65^\circ\text{C}$   
 C-grade:  $\pm 1.15\% = \pm 0.5\% \pm 100\text{ppm}/^\circ\text{C} \times 65^\circ\text{C}$   
 D-grade:  $\pm 1.98\% = \pm 1.0\% \pm 150\text{ppm}/^\circ\text{C} \times 65^\circ\text{C}$   
 The total overtemperature tolerance for the different grades in the extended temperature range where  $\text{max}\Delta T = 100^\circ\text{C}$  is shown below:  
 C-grade:  $\pm 1.5\% = \pm 0.5\% \pm 100\text{ppm}/^\circ\text{C} \times 100^\circ\text{C}$   
 D-grade:  $\pm 2.5\% = \pm 1.0\% \pm 150\text{ppm}/^\circ\text{C} \times 100^\circ\text{C}$   
 Therefore, as an example, the A-grade 2.5V LM4040 has an overtemperature Reverse Breakdown Voltage tolerance of  $\pm 2.5\text{V} \times 0.75\% = \pm 19\text{mV}$ .

## 6.14 LM4040A41I, LM4040B41I Electrical Characteristics

at industrial temperature range, full-range  $T_A = -40^{\circ}\text{C}$  to  $85^{\circ}\text{C}$  (unless otherwise noted)

PARAMETER	TEST CONDITIONS	$T_A$	LM4040A41I			LM4040B41I			UNIT
			MIN	TYP	MAX	MIN	TYP	MAX	
$V_Z$	Reverse breakdown voltage	$I_Z = 100\mu\text{A}$	25°C			4.096			V
$\Delta V_Z$	Reverse breakdown voltage tolerance	$I_Z = 100\mu\text{A}$	25°C			-4.1      4.1      -8.2      8.2			mV
			Full range			-31      31      -35      35			
$I_{Z,\text{min}}$	Minimum cathode current		25°C			50      83      50      83			$\mu\text{A}$
			Full range			88      88			
$\alpha_{VZ}$	Average temperature coefficient of reverse breakdown voltage (2)	$I_Z = 10\text{mA}$	25°C			$\pm 30$			ppm/°C
		$I_Z = 1\text{mA}$	25°C			$\pm 20$			
			Full range			$\pm 100$			
		$I_Z = 100\mu\text{A}$	25°C			$\pm 20$			
$\frac{\Delta V_Z}{\Delta I_Z}$	Reverse breakdown voltage change with cathode current change	$I_{Z,\text{min}} < I_Z < 1\text{mA}$	25°C			0.5      0.9      0.5      0.9			mV
			Full range			1.2      1.2			
		$1\text{mA} < I_Z < 15\text{mA}$	25°C			3      7      3      7			
			Full range			10      10			
$Z_Z$	Reverse dynamic impedance	$I_Z = 1\text{mA}$ , $f = 120\text{Hz}$ , $I_{AC} = 0.1 I_Z$	25°C			0.5      1      0.5      1			$\Omega$
$e_N$	Wideband noise	$I_Z = 100\mu\text{A}$ , $10\text{Hz} \leq f \leq 10\text{kHz}$	25°C			80      80			$\mu\text{V}_{\text{RMS}}$
	Long-term stability of reverse breakdown voltage	$t = 1000\text{h}$ , $T_A = 25^{\circ}\text{C} \pm 0.1^{\circ}\text{C}$ , $I_Z = 100\mu\text{A}$				120      120			ppm
$V_{\text{HYST}}$	Thermal hysteresis(1)	$\Delta T_A = -40^{\circ}\text{C}$ to $125^{\circ}\text{C}$				0.08%      0.08%			—

- (1) Thermal hysteresis is defined as the difference in voltage measured at  $25^{\circ}\text{C}$  after cycling to temperature  $-40^{\circ}\text{C}$  and the  $25^{\circ}\text{C}$  measurement after cycling to temperature  $125^{\circ}\text{C}$ .
- (2) The overtemperature limit for Reverse Breakdown Voltage Tolerance is defined as the room temperature Reverse Breakdown Voltage Tolerance  $\pm[(\Delta V_R/\Delta T)(\text{max}\Delta T)(V_R)]$ . Where,  $\Delta V_R/\Delta T$  is the  $V_R$  temperature coefficient,  $\text{max}\Delta T$  is the maximum difference in temperature from the reference point of  $25^{\circ}\text{C}$  to  $T_{\text{MIN}}$  or  $T_{\text{MAX}}$ , and  $V_R$  is the reverse breakdown voltage. The total overtemperature tolerance for the different grades in the industrial temperature range where  $\text{max}\Delta T = 65^{\circ}\text{C}$  is shown below:  
A-grade:  $\pm 0.75\% = \pm 0.1\% \pm 100\text{ppm}/^{\circ}\text{C} \times 65^{\circ}\text{C}$   
B-grade:  $\pm 0.85\% = \pm 0.2\% \pm 100\text{ppm}/^{\circ}\text{C} \times 65^{\circ}\text{C}$   
C-grade:  $\pm 1.15\% = \pm 0.5\% \pm 100\text{ppm}/^{\circ}\text{C} \times 65^{\circ}\text{C}$   
D-grade:  $\pm 1.98\% = \pm 1.0\% \pm 150\text{ppm}/^{\circ}\text{C} \times 65^{\circ}\text{C}$   
The total overtemperature tolerance for the different grades in the extended temperature range where  $\text{max}\Delta T = 100^{\circ}\text{C}$  is shown below:  
C-grade:  $\pm 1.5\% = \pm 0.5\% \pm 100\text{ppm}/^{\circ}\text{C} \times 100^{\circ}\text{C}$   
D-grade:  $\pm 2.5\% = \pm 1.0\% \pm 150\text{ppm}/^{\circ}\text{C} \times 100^{\circ}\text{C}$   
Therefore, as an example, the A-grade 2.5V LM4040 has an overtemperature Reverse Breakdown Voltage tolerance of  $\pm 2.5\text{V} \times 0.75\% = \pm 19\text{mV}$ .

## 6.15 LM4040C41I, LM4040D41I Electrical Characteristics

at industrial temperature range, full-range  $T_A = -40^\circ\text{C}$  to  $85^\circ\text{C}$  (unless otherwise noted)

PARAMETER	TEST CONDITIONS	$T_A$	LM4040C41I			LM4040D41I			UNIT	
			MIN	TYP	MAX	MIN	TYP	MAX		
$V_Z$	Reverse breakdown voltage	$I_Z = 100\mu\text{A}$	25°C			4.096			V	
$\Delta V_Z$	Reverse breakdown voltage tolerance	$I_Z = 100\mu\text{A}$	25°C			-41			mV	
			Full range			-81				
$I_{Z,\text{min}}$	Minimum cathode current		25°C			50			$\mu\text{A}$	
			Full range			88				
$\alpha_{VZ}$	Average temperature coefficient of reverse breakdown voltage (2)	$I_Z = 10\text{mA}$	25°C			$\pm 30$			ppm/°C	
			$I_Z = 1\text{mA}$	25°C			$\pm 20$			
				Full range			$\pm 100$			
$\frac{\Delta V_Z}{\Delta I_Z}$	Reverse breakdown voltage change with cathode current change	$I_{Z,\text{min}} < I_Z < 1\text{mA}$	25°C			0.5			mV	
			Full range			1.2				
		$1\text{mA} < I_Z < 15\text{mA}$	25°C			3				
			Full range			10				
$Z_Z$	Reverse dynamic impedance	$I_Z = 1\text{mA}$ , $f = 120\text{Hz}$ , $I_{AC} = 0.1 I_Z$	25°C			0.5			$\Omega$	
$e_N$	Wideband noise	$I_Z = 100\mu\text{A}$ , $10\text{Hz} \leq f \leq 10\text{kHz}$	25°C			80			$\mu\text{V}_{\text{RMS}}$	
	Long-term stability of reverse breakdown voltage	$t = 1000\text{h}$ , $T_A = 25^\circ\text{C} \pm 0.1^\circ\text{C}$ , $I_Z = 100\mu\text{A}$				120			ppm	
$V_{\text{HYST}}$	Thermal hysteresis(1)	$\Delta T_A = -40^\circ\text{C}$ to $125^\circ\text{C}$				0.08%			—	

- (1) Thermal hysteresis is defined as the difference in voltage measured at  $25^\circ\text{C}$  after cycling to temperature  $-40^\circ\text{C}$  and the  $25^\circ\text{C}$  measurement after cycling to temperature  $125^\circ\text{C}$ .
- (2) The overtemperature limit for Reverse Breakdown Voltage Tolerance is defined as the room temperature Reverse Breakdown Voltage Tolerance  $\pm[(\Delta V_R/\Delta T)(\text{max}\Delta T)(V_R)]$ . Where,  $\Delta V_R/\Delta T$  is the  $V_R$  temperature coefficient,  $\text{max}\Delta T$  is the maximum difference in temperature from the reference point of  $25^\circ\text{C}$  to  $T_{\text{MIN}}$  or  $T_{\text{MAX}}$ , and  $V_R$  is the reverse breakdown voltage. The total overtemperature tolerance for the different grades in the industrial temperature range where  $\text{max}\Delta T = 65^\circ\text{C}$  is shown below:  
 A-grade:  $\pm 0.75\% = \pm 0.1\% \pm 100\text{ppm}/^\circ\text{C} \times 65^\circ\text{C}$   
 B-grade:  $\pm 0.85\% = \pm 0.2\% \pm 100\text{ppm}/^\circ\text{C} \times 65^\circ\text{C}$   
 C-grade:  $\pm 1.15\% = \pm 0.5\% \pm 100\text{ppm}/^\circ\text{C} \times 65^\circ\text{C}$   
 D-grade:  $\pm 1.98\% = \pm 1.0\% \pm 150\text{ppm}/^\circ\text{C} \times 65^\circ\text{C}$   
 The total overtemperature tolerance for the different grades in the extended temperature range where  $\text{max}\Delta T = 100^\circ\text{C}$  is shown below:  
 C-grade:  $\pm 1.5\% = \pm 0.5\% \pm 100\text{ppm}/^\circ\text{C} \times 100^\circ\text{C}$   
 D-grade:  $\pm 2.5\% = \pm 1.0\% \pm 150\text{ppm}/^\circ\text{C} \times 100^\circ\text{C}$   
 Therefore, as an example, the A-grade 2.5V LM4040 has an overtemperature Reverse Breakdown Voltage tolerance of  $\pm 2.5\text{V} \times 0.75\% = \pm 19\text{mV}$ .

## 6.16 LM4040A50I, LM4040B50I Electrical Characteristics

at industrial temperature range, full-range  $T_A = -40^\circ\text{C}$  to  $85^\circ\text{C}$  (unless otherwise noted)

PARAMETER	TEST CONDITIONS	$T_A$	LM4040A50I			LM4040B50I			UNIT
			MIN	TYP	MAX	MIN	TYP	MAX	
$V_Z$	Reverse breakdown voltage	$I_Z = 100\mu\text{A}$	25°C			5			V
$\Delta V_Z$	Reverse breakdown voltage tolerance	$I_Z = 100\mu\text{A}$	25°C			-5      5			mV
			Full range			-38      38			
$I_{Z,\text{min}}$	Minimum cathode current		25°C			65      89			$\mu\text{A}$
			Full range			95      95			
$\alpha_{VZ}$	Average temperature coefficient of reverse breakdown voltage (2)	$I_Z = 10\text{mA}$	25°C			$\pm 30$			ppm/°C
		$I_Z = 1\text{mA}$	25°C			$\pm 20$			
			Full range			$\pm 100$			
		$I_Z = 100\mu\text{A}$	25°C			$\pm 20$			
$\frac{\Delta V_Z}{\Delta I_Z}$	Reverse breakdown voltage change with cathode current change	$I_{Z,\text{min}} < I_Z < 1\text{mA}$	25°C			0.5      1			mV
			Full range			1.4      1.4			
		$1\text{mA} < I_Z < 15\text{mA}$	25°C			3.5      8			
			Full range			12      12			
$Z_Z$	Reverse dynamic impedance	$I_Z = 1\text{mA}$ , $f = 120\text{Hz}$ , $I_{AC} = 0.1 I_Z$	25°C			0.5      1.1			$\Omega$
$e_N$	Wideband noise	$I_Z = 100\mu\text{A}$ , $10\text{Hz} \leq f \leq 10\text{kHz}$	25°C			80      80			$\mu\text{V}_{\text{RMS}}$
	Long-term stability of reverse breakdown voltage	$t = 1000\text{ h}$ , $T_A = 25^\circ\text{C} \pm 0.1^\circ\text{C}$ , $I_Z = 100\mu\text{A}$				120      120			ppm
$V_{\text{HYST}}$	Thermal hysteresis(1)	$\Delta T_A = -40^\circ\text{C}$ to $125^\circ\text{C}$				0.08%      0.08%			—

- (1) Thermal hysteresis is defined as the difference in voltage measured at  $25^\circ\text{C}$  after cycling to temperature  $-40^\circ\text{C}$  and the  $25^\circ\text{C}$  measurement after cycling to temperature  $125^\circ\text{C}$ .
- (2) The overtemperature limit for Reverse Breakdown Voltage Tolerance is defined as the room temperature Reverse Breakdown Voltage Tolerance  $\pm[(\Delta V_R/\Delta T)(\text{max}\Delta T)(V_R)]$ . Where,  $\Delta V_R/\Delta T$  is the  $V_R$  temperature coefficient,  $\text{max}\Delta T$  is the maximum difference in temperature from the reference point of  $25^\circ\text{C}$  to  $T_{\text{MIN}}$  or  $T_{\text{MAX}}$ , and  $V_R$  is the reverse breakdown voltage. The total overtemperature tolerance for the different grades in the industrial temperature range where  $\text{max}\Delta T = 65^\circ\text{C}$  is shown below:  
A-grade:  $\pm 0.75\% = \pm 0.1\% \pm 100\text{ppm}/^\circ\text{C} \times 65^\circ\text{C}$   
B-grade:  $\pm 0.85\% = \pm 0.2\% \pm 100\text{ppm}/^\circ\text{C} \times 65^\circ\text{C}$   
C-grade:  $\pm 1.15\% = \pm 0.5\% \pm 100\text{ppm}/^\circ\text{C} \times 65^\circ\text{C}$   
D-grade:  $\pm 1.98\% = \pm 1.0\% \pm 150\text{ppm}/^\circ\text{C} \times 65^\circ\text{C}$   
The total overtemperature tolerance for the different grades in the extended temperature range where  $\text{max}\Delta T = 100^\circ\text{C}$  is shown below:  
C-grade:  $\pm 1.5\% = \pm 0.5\% \pm 100\text{ppm}/^\circ\text{C} \times 100^\circ\text{C}$   
D-grade:  $\pm 2.5\% = \pm 1.0\% \pm 150\text{ppm}/^\circ\text{C} \times 100^\circ\text{C}$   
Therefore, as an example, the A-grade 2.5V LM4040 has an overtemperature Reverse Breakdown Voltage tolerance of  $\pm 2.5\text{V} \times 0.75\% = \pm 19\text{mV}$ .

## 6.17 LM4040C50I, LM4040D50I Electrical Characteristics

at industrial temperature range, full-range  $T_A = -40^\circ\text{C}$  to  $85^\circ\text{C}$  (unless otherwise noted)

PARAMETER	TEST CONDITIONS	$T_A$	LM4040C50I			LM4040D50I			UNIT
			MIN	TYP	MAX	MIN	TYP	MAX	
$V_Z$	Reverse breakdown voltage	$I_Z = 100\mu\text{A}$	25°C			5			V
$\Delta V_Z$	Reverse breakdown voltage tolerance	$I_Z = 100\mu\text{A}$	25°C			-25      25			mV
			Full range			-58      58			
$I_{Z,\text{min}}$	Minimum cathode current		25°C			65      89			$\mu\text{A}$
			Full range			95      95			
$\alpha_{VZ}$	Average temperature coefficient of reverse breakdown voltage (2)	$I_Z = 10\text{mA}$	25°C			$\pm 30$			ppm/°C
		$I_Z = 1\text{mA}$	25°C			$\pm 20$			
			Full range			$\pm 100$			
$\frac{\Delta V_Z}{\Delta I_Z}$	Reverse breakdown voltage change with cathode current change	$I_{Z,\text{min}} < I_Z < 1\text{mA}$	25°C			0.5      1			mV
			Full range			1.4      1.8			
		$1\text{mA} < I_Z < 15\text{mA}$	25°C			3.5      8			
			Full range			12      15			
$Z_Z$	Reverse dynamic impedance	$I_Z = 1\text{mA}$ , $f = 120\text{Hz}$ , $I_{AC} = 0.1 I_Z$	25°C			0.5      1.1			$\Omega$
$e_N$	Wideband noise	$I_Z = 100\mu\text{A}$ , $10\text{Hz} \leq f \leq 10\text{kHz}$	25°C			80			$\mu\text{V}_{\text{RMS}}$
	Long-term stability of reverse breakdown voltage	$t = 1000\text{h}$ , $T_A = 25^\circ\text{C} \pm 0.1^\circ\text{C}$ , $I_Z = 100\mu\text{A}$				120			ppm
$V_{\text{HYST}}$	Thermal hysteresis(1)	$\Delta T_A = -40^\circ\text{C}$ to $125^\circ\text{C}$				0.08%			—

- (1) Thermal hysteresis is defined as the difference in voltage measured at  $25^\circ\text{C}$  after cycling to temperature  $-40^\circ\text{C}$  and the  $25^\circ\text{C}$  measurement after cycling to temperature  $125^\circ\text{C}$ .
- (2) The overtemperature limit for Reverse Breakdown Voltage Tolerance is defined as the room temperature Reverse Breakdown Voltage Tolerance  $\pm[(\Delta V_R/\Delta T)(\text{max}\Delta T)(V_R)]$ . Where,  $\Delta V_R/\Delta T$  is the  $V_R$  temperature coefficient,  $\text{max}\Delta T$  is the maximum difference in temperature from the reference point of  $25^\circ\text{C}$  to  $T_{\text{MIN}}$  or  $T_{\text{MAX}}$ , and  $V_R$  is the reverse breakdown voltage. The total overtemperature tolerance for the different grades in the industrial temperature range where  $\text{max}\Delta T = 65^\circ\text{C}$  is shown below:  
A-grade:  $\pm 0.75\% = \pm 0.1\% \pm 100\text{ppm}/^\circ\text{C} \times 65^\circ\text{C}$   
B-grade:  $\pm 0.85\% = \pm 0.2\% \pm 100\text{ppm}/^\circ\text{C} \times 65^\circ\text{C}$   
C-grade:  $\pm 1.15\% = \pm 0.5\% \pm 100\text{ppm}/^\circ\text{C} \times 65^\circ\text{C}$   
D-grade:  $\pm 1.98\% = \pm 1.0\% \pm 150\text{ppm}/^\circ\text{C} \times 65^\circ\text{C}$   
The total overtemperature tolerance for the different grades in the extended temperature range where  $\text{max}\Delta T = 100^\circ\text{C}$  is shown below:  
C-grade:  $\pm 1.5\% = \pm 0.5\% \pm 100\text{ppm}/^\circ\text{C} \times 100^\circ\text{C}$   
D-grade:  $\pm 2.5\% = \pm 1.0\% \pm 150\text{ppm}/^\circ\text{C} \times 100^\circ\text{C}$   
Therefore, as an example, the A-grade 2.5V LM4040 has an overtemperature Reverse Breakdown Voltage tolerance of  $\pm 2.5\text{V} \times 0.75\% = \pm 19\text{mV}$ .

## 6.18 LM4040C50Q, LM4040D50Q Electrical Characteristics

at extended temperature range, full-range  $T_A = -40^\circ\text{C}$  to  $125^\circ\text{C}$  (unless otherwise noted)

PARAMETER	TEST CONDITIONS	$T_A$	LM4040C50Q			LM4040D50Q			UNIT
			MIN	TYP	MAX	MIN	TYP	MAX	
$V_Z$	Reverse breakdown voltage	$I_Z = 100\mu\text{A}$	25°C			5			V
$\Delta V_Z$	Reverse breakdown voltage tolerance	$I_Z = 100\mu\text{A}$	25°C			-25      25			mV
			Full range			-75      75			
$I_{Z,\text{min}}$	Minimum cathode current		25°C			65    89			$\mu\text{A}$
			Full range			95			
$\alpha_{VZ}$	Average temperature coefficient of reverse breakdown voltage (2)	$I_Z = 10\text{mA}$	25°C			$\pm 30$			ppm/°C
		$I_Z = 1\text{mA}$	25°C			$\pm 20$			
			Full range			$\pm 100$			
		$I_Z = 100\mu\text{A}$	25°C			$\pm 20$			
$\frac{\Delta V_Z}{\Delta I_Z}$	Reverse breakdown voltage change with cathode current change	$I_{Z,\text{min}} < I_Z < 1\text{mA}$	25°C			0.5    1			mV
			Full range			1.4      1.8			
		$1\text{mA} < I_Z < 15\text{mA}$	25°C			3.5    8			
			Full range			12      12			
$Z_Z$	Reverse dynamic impedance	$I_Z = 1\text{mA}$ , $f = 120\text{Hz}$ , $I_{AC} = 0.1 I_Z$	25°C			0.5    1.1			$\Omega$
$e_N$	Wideband noise	$I_Z = 100\mu\text{A}$ , $10\text{Hz} \leq f \leq 10\text{kHz}$	25°C			80			$\mu\text{V}_{\text{RMS}}$
	Long-term stability of reverse breakdown voltage	$t = 1000\text{h}$ , $T_A = 25^\circ\text{C} \pm 0.1^\circ\text{C}$ , $I_Z = 100\mu\text{A}$				120			ppm
$V_{\text{HYST}}$	Thermal hysteresis(1)	$\Delta T_A = -40^\circ\text{C}$ to $125^\circ\text{C}$				0.08%			—

- (1) Thermal hysteresis is defined as the difference in voltage measured at  $25^\circ\text{C}$  after cycling to temperature  $-40^\circ\text{C}$  and the  $25^\circ\text{C}$  measurement after cycling to temperature  $125^\circ\text{C}$ .
- (2) The overtemperature limit for Reverse Breakdown Voltage Tolerance is defined as the room temperature Reverse Breakdown Voltage Tolerance  $\pm[(\Delta V_R/\Delta T)(\text{max}\Delta T)(V_R)]$ . Where,  $\Delta V_R/\Delta T$  is the  $V_R$  temperature coefficient,  $\text{max}\Delta T$  is the maximum difference in temperature from the reference point of  $25^\circ\text{C}$  to  $T_{\text{MIN}}$  or  $T_{\text{MAX}}$ , and  $V_R$  is the reverse breakdown voltage. The total overtemperature tolerance for the different grades in the industrial temperature range where  $\text{max}\Delta T = 65^\circ\text{C}$  is shown below:  
A-grade:  $\pm 0.75\% = \pm 0.1\% \pm 100\text{ppm}/^\circ\text{C} \times 65^\circ\text{C}$   
B-grade:  $\pm 0.85\% = \pm 0.2\% \pm 100\text{ppm}/^\circ\text{C} \times 65^\circ\text{C}$   
C-grade:  $\pm 1.15\% = \pm 0.5\% \pm 100\text{ppm}/^\circ\text{C} \times 65^\circ\text{C}$   
D-grade:  $\pm 1.98\% = \pm 1.0\% \pm 150\text{ppm}/^\circ\text{C} \times 65^\circ\text{C}$   
The total overtemperature tolerance for the different grades in the extended temperature range where  $\text{max}\Delta T = 100^\circ\text{C}$  is shown below:  
C-grade:  $\pm 1.5\% = \pm 0.5\% \pm 100\text{ppm}/^\circ\text{C} \times 100^\circ\text{C}$   
D-grade:  $\pm 2.5\% = \pm 1.0\% \pm 150\text{ppm}/^\circ\text{C} \times 100^\circ\text{C}$   
Therefore, as an example, the A-grade 2.5V LM4040 has an overtemperature Reverse Breakdown Voltage tolerance of  $\pm 2.5\text{V} \times 0.75\% = \pm 19\text{mV}$ .

## 6.19 LM4040A82I, LM4040B82I Electrical Characteristics

at industrial temperature range, full-range  $T_A = -40^{\circ}\text{C}$  to  $85^{\circ}\text{C}$  (unless otherwise noted)

PARAMETER	TEST CONDITIONS	$T_A$	LM4040A82I			LM4040B82I			UNIT
			MIN	TYP	MAX	MIN	TYP	MAX	
$V_Z$	Reverse breakdown voltage	$I_Z = 150\mu\text{A}$	25°C			8.192			V
$\Delta V_Z$	Reverse breakdown voltage tolerance	$I_Z = 150\mu\text{A}$	25°C			-8.2      8.2      -16      16			mV
			Full range			-61      61      -70      70			
$I_{Z,\text{min}}$	Minimum cathode current		25°C			67      106      67      106			$\mu\text{A}$
			Full range			110      110			
$\alpha_{VZ}$	Average temperature coefficient of reverse breakdown voltage (2)	$I_Z = 10\text{mA}$	25°C			$\pm 40$			ppm/°C
		$I_Z = 1\text{mA}$	25°C			$\pm 20$			
			Full range			$\pm 100$			
		$I_Z = 150\mu\text{A}$	25°C			$\pm 20$			
$\frac{\Delta V_Z}{\Delta I_Z}$	Reverse breakdown voltage change with cathode current change	$I_{Z,\text{min}} < I_Z < 1\text{mA}$	25°C			0.6      1.3      0.6      1.6			mV
			Full range			2.5      2.5			
		$1\text{mA} < I_Z < 15\text{mA}$	25°C			7      10      7      10			
			Full range			18      18			
$Z_Z$	Reverse dynamic impedance	$I_Z = 1\text{mA}$ , $f = 120\text{Hz}$ , $I_{AC} = 0.1 I_Z$	25°C			0.6      1.5      0.6      1.5			$\Omega$
$e_N$	Wideband noise	$I_Z = 150\mu\text{A}$ , $10\text{Hz} \leq f \leq 10\text{kHz}$	25°C			130      130			$\mu\text{V}_{\text{RMS}}$
	Long-term stability of reverse breakdown voltage	$t = 1000\text{h}$ , $T_A = 25^{\circ}\text{C} \pm 0.1^{\circ}\text{C}$ , $I_Z = 150\mu\text{A}$				120      120			ppm
$V_{\text{HYST}}$	Thermal hysteresis(1)	$\Delta T_A = -40^{\circ}\text{C}$ to $125^{\circ}\text{C}$				0.08%      0.08%			—

- (1) Thermal hysteresis is defined as the difference in voltage measured at  $25^{\circ}\text{C}$  after cycling to temperature  $-40^{\circ}\text{C}$  and the  $25^{\circ}\text{C}$  measurement after cycling to temperature  $125^{\circ}\text{C}$ .
- (2) The overtemperature limit for Reverse Breakdown Voltage Tolerance is defined as the room temperature Reverse Breakdown Voltage Tolerance  $\pm[(\Delta V_R/\Delta T)(\text{max}\Delta T)(V_R)]$ . Where,  $\Delta V_R/\Delta T$  is the  $V_R$  temperature coefficient,  $\text{max}\Delta T$  is the maximum difference in temperature from the reference point of  $25^{\circ}\text{C}$  to  $T_{\text{MIN}}$  or  $T_{\text{MAX}}$ , and  $V_R$  is the reverse breakdown voltage. The total overtemperature tolerance for the different grades in the industrial temperature range where  $\text{max}\Delta T = 65^{\circ}\text{C}$  is shown below:  
 A-grade:  $\pm 0.75\% = \pm 0.1\% \pm 100\text{ppm}/^{\circ}\text{C} \times 65^{\circ}\text{C}$   
 B-grade:  $\pm 0.85\% = \pm 0.2\% \pm 100\text{ppm}/^{\circ}\text{C} \times 65^{\circ}\text{C}$   
 C-grade:  $\pm 1.15\% = \pm 0.5\% \pm 100\text{ppm}/^{\circ}\text{C} \times 65^{\circ}\text{C}$   
 D-grade:  $\pm 1.98\% = \pm 1.0\% \pm 150\text{ppm}/^{\circ}\text{C} \times 65^{\circ}\text{C}$   
 The total overtemperature tolerance for the different grades in the extended temperature range where  $\text{max}\Delta T = 100^{\circ}\text{C}$  is shown below:  
 C-grade:  $\pm 1.5\% = \pm 0.5\% \pm 100\text{ppm}/^{\circ}\text{C} \times 100^{\circ}\text{C}$   
 D-grade:  $\pm 2.5\% = \pm 1.0\% \pm 150\text{ppm}/^{\circ}\text{C} \times 100^{\circ}\text{C}$   
 Therefore, as an example, the A-grade 2.5V LM4040 has an overtemperature Reverse Breakdown Voltage tolerance of  $\pm 2.5\text{V} \times 0.75\% = \pm 19\text{mV}$ .

## 6.20 LM4040C82I, LM4040D82I Electrical Characteristics

at industrial temperature range, full-range  $T_A = -40^\circ\text{C}$  to  $85^\circ\text{C}$  (unless otherwise noted)

PARAMETER	TEST CONDITIONS	$T_A$	LM4040C82I			LM4040D82I			UNIT
			MIN	TYP	MAX	MIN	TYP	MAX	
$V_Z$	Reverse breakdown voltage	$I_Z = 150\mu\text{A}$	25°C			8.192			V
$\Delta V_Z$	Reverse breakdown voltage tolerance	$I_Z = 150\mu\text{A}$	25°C			-41      41      -82      82			mV
			Full range			-94      94      -162      162			
$I_{Z,\text{min}}$	Minimum cathode current		25°C			67      106      67      111			$\mu\text{A}$
			Full range			110      115			
$\alpha_{VZ}$	Average temperature coefficient of reverse breakdown voltage (2)	$I_Z = 10\text{mA}$	25°C			$\pm 40$			ppm/°C
		$I_Z = 1\text{mA}$	25°C			$\pm 20$			
			Full range			$\pm 100$			
		$I_Z = 150\mu\text{A}$	25°C			$\pm 20$			
$\frac{\Delta V_Z}{\Delta I_Z}$	Reverse breakdown voltage change with cathode current change	$I_{Z,\text{min}} < I_Z < 1\text{mA}$	25°C			0.6      1.3      0.6      1.7			mV
			Full range			2.5      3			
		$1\text{mA} < I_Z < 15\text{mA}$	25°C			7      10      7      15			
			Full range			18      24			
$Z_Z$	Reverse dynamic impedance	$I_Z = 1\text{mA}$ , $f = 120\text{Hz}$ , $I_{AC} = 0.1 I_Z$	25°C			0.6      1.5      0.6      1.9			$\Omega$
$e_N$	Wideband noise	$I_Z = 150\mu\text{A}$ , $10\text{Hz} \leq f \leq 10\text{kHz}$	25°C			130      130			$\mu\text{V}_{\text{RMS}}$
	Long-term stability of reverse breakdown voltage	$t = 1000\text{h}$ , $T_A = 25^\circ\text{C} \pm 0.1^\circ\text{C}$ , $I_Z = 150\mu\text{A}$				120      120			ppm
$V_{\text{HYST}}$	Thermal hysteresis(1)	$\Delta T_A = -40^\circ\text{C}$ to $125^\circ\text{C}$				0.08%      0.08%			—

- (1) Thermal hysteresis is defined as the difference in voltage measured at  $25^\circ\text{C}$  after cycling to temperature  $-40^\circ\text{C}$  and the  $25^\circ\text{C}$  measurement after cycling to temperature  $125^\circ\text{C}$ .
- (2) The overtemperature limit for Reverse Breakdown Voltage Tolerance is defined as the room temperature Reverse Breakdown Voltage Tolerance  $\pm[(\Delta V_R/\Delta T)(\text{max}\Delta T)(V_R)]$ . Where,  $\Delta V_R/\Delta T$  is the  $V_R$  temperature coefficient,  $\text{max}\Delta T$  is the maximum difference in temperature from the reference point of  $25^\circ\text{C}$  to  $T_{\text{MIN}}$  or  $T_{\text{MAX}}$ , and  $V_R$  is the reverse breakdown voltage. The total overtemperature tolerance for the different grades in the industrial temperature range where  $\text{max}\Delta T = 65^\circ\text{C}$  is shown below:  
A-grade:  $\pm 0.75\% = \pm 0.1\% \pm 100\text{ppm}/^\circ\text{C} \times 65^\circ\text{C}$   
B-grade:  $\pm 0.85\% = \pm 0.2\% \pm 100\text{ppm}/^\circ\text{C} \times 65^\circ\text{C}$   
C-grade:  $\pm 1.15\% = \pm 0.5\% \pm 100\text{ppm}/^\circ\text{C} \times 65^\circ\text{C}$   
D-grade:  $\pm 1.98\% = \pm 1.0\% \pm 150\text{ppm}/^\circ\text{C} \times 65^\circ\text{C}$   
The total overtemperature tolerance for the different grades in the extended temperature range where  $\text{max}\Delta T = 100^\circ\text{C}$  is shown below:  
C-grade:  $\pm 1.5\% = \pm 0.5\% \pm 100\text{ppm}/^\circ\text{C} \times 100^\circ\text{C}$   
D-grade:  $\pm 2.5\% = \pm 1.0\% \pm 150\text{ppm}/^\circ\text{C} \times 100^\circ\text{C}$   
Therefore, as an example, the A-grade 2.5V LM4040 has an overtemperature Reverse Breakdown Voltage tolerance of  $\pm 2.5\text{V} \times 0.75\% = \pm 19\text{mV}$ .

## 6.21 LM4040A10I, LM4040B10I Electrical Characteristics

at industrial temperature range, full-range  $T_A = -40^\circ\text{C}$  to  $85^\circ\text{C}$  (unless otherwise noted)

PARAMETER	TEST CONDITIONS	$T_A$	LM4040A10I			LM4040B10I			UNIT
			MIN	TYP	MAX	MIN	TYP	MAX	
$V_Z$	Reverse breakdown voltage	$I_Z = 150\mu\text{A}$	25°C			10			V
$\Delta V_Z$	Reverse breakdown voltage tolerance	$I_Z = 150\mu\text{A}$	25°C			-10      10			mV
			Full range			-75      75			
$I_{Z,\text{min}}$	Minimum cathode current		25°C			75    120			$\mu\text{A}$
			Full range			125      125			
$\alpha_{VZ}$	Average temperature coefficient of reverse breakdown voltage (2)	$I_Z = 10\text{mA}$	25°C			$\pm 40$			ppm/°C
		$I_Z = 1\text{mA}$	25°C			$\pm 20$			
			Full range			$\pm 100$			
		$I_Z = 150\mu\text{A}$	25°C			$\pm 20$			
$\frac{\Delta V_Z}{\Delta I_Z}$	Reverse breakdown voltage change with cathode current change	$I_{Z,\text{min}} < I_Z < 1\text{mA}$	25°C			0.8    1.5			mV
			Full range			3.8      3.8			
		$1\text{mA} < I_Z < 15\text{mA}$	25°C			8      14			
			Full range			24      24			
$Z_Z$	Reverse dynamic impedance	$I_Z = 1\text{mA}$ , $f = 120\text{Hz}$ , $I_{AC} = 0.1 I_Z$	25°C			0.7    1.7			$\Omega$
$e_N$	Wideband noise	$I_Z = 150\mu\text{A}$ , $10\text{Hz} \leq f \leq 10\text{kHz}$	25°C			180			$\mu\text{V}_{\text{RMS}}$
	Long-term stability of reverse breakdown voltage	$t = 1000\text{ h}$ , $T_A = 25^\circ\text{C} \pm 0.1^\circ\text{C}$ , $I_Z = 150\mu\text{A}$				120			ppm
$V_{\text{HYST}}$	Thermal hysteresis(1)	$\Delta T_A = -40^\circ\text{C}$ to $125^\circ\text{C}$				0.08%			—

- (1) Thermal hysteresis is defined as the difference in voltage measured at  $25^\circ\text{C}$  after cycling to temperature  $-40^\circ\text{C}$  and the  $25^\circ\text{C}$  measurement after cycling to temperature  $125^\circ\text{C}$ .
- (2) The overtemperature limit for Reverse Breakdown Voltage Tolerance is defined as the room temperature Reverse Breakdown Voltage Tolerance  $\pm[(\Delta V_R/\Delta T)(\text{max}\Delta T)(V_R)]$ . Where,  $\Delta V_R/\Delta T$  is the  $V_R$  temperature coefficient,  $\text{max}\Delta T$  is the maximum difference in temperature from the reference point of  $25^\circ\text{C}$  to  $T_{\text{MIN}}$  or  $T_{\text{MAX}}$ , and  $V_R$  is the reverse breakdown voltage. The total overtemperature tolerance for the different grades in the industrial temperature range where  $\text{max}\Delta T = 65^\circ\text{C}$  is shown below:  
A-grade:  $\pm 0.75\% = \pm 0.1\% \pm 100\text{ppm}/^\circ\text{C} \times 65^\circ\text{C}$   
B-grade:  $\pm 0.85\% = \pm 0.2\% \pm 100\text{ppm}/^\circ\text{C} \times 65^\circ\text{C}$   
C-grade:  $\pm 1.15\% = \pm 0.5\% \pm 100\text{ppm}/^\circ\text{C} \times 65^\circ\text{C}$   
D-grade:  $\pm 1.98\% = \pm 1.0\% \pm 150\text{ppm}/^\circ\text{C} \times 65^\circ\text{C}$   
The total overtemperature tolerance for the different grades in the extended temperature range where  $\text{max}\Delta T = 100^\circ\text{C}$  is shown below:  
C-grade:  $\pm 1.5\% = \pm 0.5\% \pm 100\text{ppm}/^\circ\text{C} \times 100^\circ\text{C}$   
D-grade:  $\pm 2.5\% = \pm 1.0\% \pm 150\text{ppm}/^\circ\text{C} \times 100^\circ\text{C}$   
Therefore, as an example, the A-grade 2.5V LM4040 has an overtemperature Reverse Breakdown Voltage tolerance of  $\pm 2.5\text{V} \times 0.75\% = \pm 19\text{mV}$ .

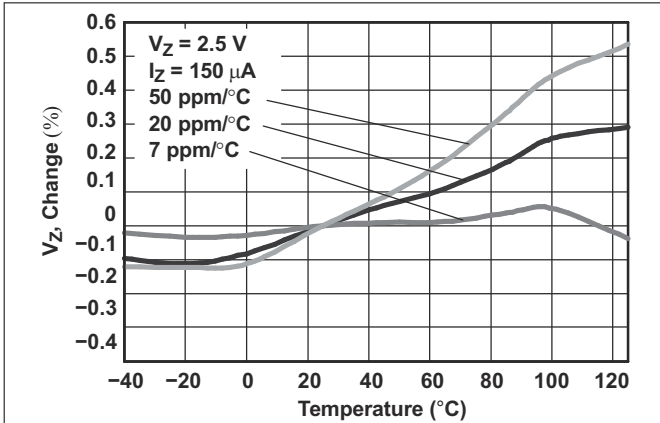
## 6.22 LM4040C10I, LM4040D10I Electrical Characteristics

at industrial temperature range, full-range  $T_A = -40^\circ\text{C}$  to  $85^\circ\text{C}$  (unless otherwise noted)

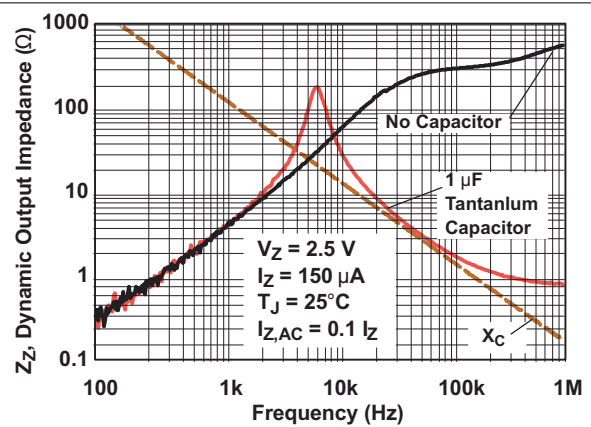
PARAMETER	TEST CONDITIONS	$T_A$	LM4040C10I			LM4040D10I			UNIT
			MIN	TYP	MAX	MIN	TYP	MAX	
$V_Z$	Reverse breakdown voltage	$I_Z = 150\mu\text{A}$	25°C			10			V
$\Delta V_Z$	Reverse breakdown voltage tolerance	$I_Z = 150\mu\text{A}$	25°C			-50      50			mV
			Full range			-115      115			
$I_{Z,\text{min}}$	Minimum cathode current		25°C			75    120			$\mu\text{A}$
			Full range			125      135			
$\alpha_{VZ}$	Average temperature coefficient of reverse breakdown voltage (2)	$I_Z = 10\text{mA}$	25°C			$\pm 40$			ppm/°C
		$I_Z = 1\text{mA}$	25°C			$\pm 20$			
			Full range			$\pm 100$			
		$I_Z = 150\mu\text{A}$	25°C			$\pm 20$			
$\frac{\Delta V_Z}{\Delta I_Z}$	Reverse breakdown voltage change with cathode current change	$I_{Z,\text{min}} < I_Z < 1\text{mA}$	25°C			0.8    1.5			mV
			Full range			3.8      4			
		$1\text{mA} < I_Z < 15\text{mA}$	25°C			8      14			
			Full range			24      29			
$Z_Z$	Reverse dynamic impedance	$I_Z = 1\text{mA}$ , $f = 120\text{Hz}$ , $I_{AC} = 0.1 I_Z$	25°C			0.7    1.7			$\Omega$
$e_N$	Wideband noise	$I_Z = 150\mu\text{A}$ , $10\text{Hz} \leq f \leq 10\text{kHz}$	25°C			180			$\mu\text{V}_{\text{RMS}}$
	Long-term stability of reverse breakdown voltage	$t = 1000\text{ h}$ , $T_A = 25^\circ\text{C} \pm 0.1^\circ\text{C}$ , $I_Z = 150\mu\text{A}$				120			ppm
$V_{\text{HYST}}$	Thermal hysteresis(1)	$\Delta T_A = -40^\circ\text{C}$ to $125^\circ\text{C}$				0.08%			—

- (1) Thermal hysteresis is defined as the difference in voltage measured at  $25^\circ\text{C}$  after cycling to temperature  $-40^\circ\text{C}$  and the  $25^\circ\text{C}$  measurement after cycling to temperature  $125^\circ\text{C}$ .
- (2) The overtemperature limit for Reverse Breakdown Voltage Tolerance is defined as the room temperature Reverse Breakdown Voltage Tolerance  $\pm[(\Delta V_R/\Delta T)(\text{max}\Delta T)(V_R)]$ . Where,  $\Delta V_R/\Delta T$  is the  $V_R$  temperature coefficient,  $\text{max}\Delta T$  is the maximum difference in temperature from the reference point of  $25^\circ\text{C}$  to  $T_{\text{MIN}}$  or  $T_{\text{MAX}}$ , and  $V_R$  is the reverse breakdown voltage. The total overtemperature tolerance for the different grades in the industrial temperature range where  $\text{max}\Delta T = 65^\circ\text{C}$  is shown below:  
A-grade:  $\pm 0.75\% = \pm 0.1\% \pm 100\text{ppm}/^\circ\text{C} \times 65^\circ\text{C}$   
B-grade:  $\pm 0.85\% = \pm 0.2\% \pm 100\text{ppm}/^\circ\text{C} \times 65^\circ\text{C}$   
C-grade:  $\pm 1.15\% = \pm 0.5\% \pm 100\text{ppm}/^\circ\text{C} \times 65^\circ\text{C}$   
D-grade:  $\pm 1.98\% = \pm 1.0\% \pm 150\text{ppm}/^\circ\text{C} \times 65^\circ\text{C}$   
The total overtemperature tolerance for the different grades in the extended temperature range where  $\text{max}\Delta T = 100^\circ\text{C}$  is shown below:  
C-grade:  $\pm 1.5\% = \pm 0.5\% \pm 100\text{ppm}/^\circ\text{C} \times 100^\circ\text{C}$   
D-grade:  $\pm 2.5\% = \pm 1.0\% \pm 150\text{ppm}/^\circ\text{C} \times 100^\circ\text{C}$   
Therefore, as an example, the A-grade 2.5V LM4040 has an overtemperature Reverse Breakdown Voltage tolerance of  $\pm 2.5\text{V} \times 0.75\% = \pm 19\text{mV}$ .

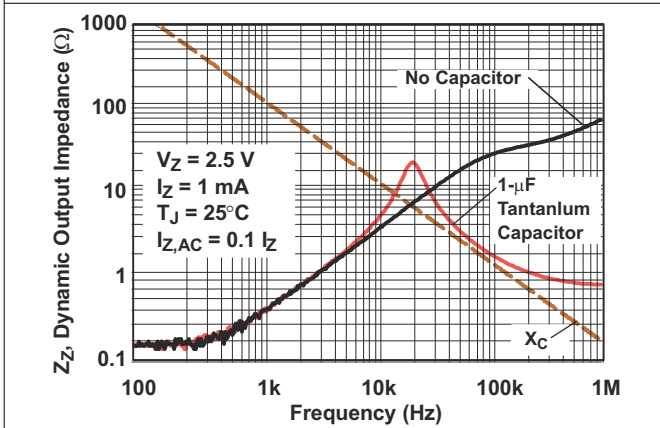
## 6.23 Typical Characteristics



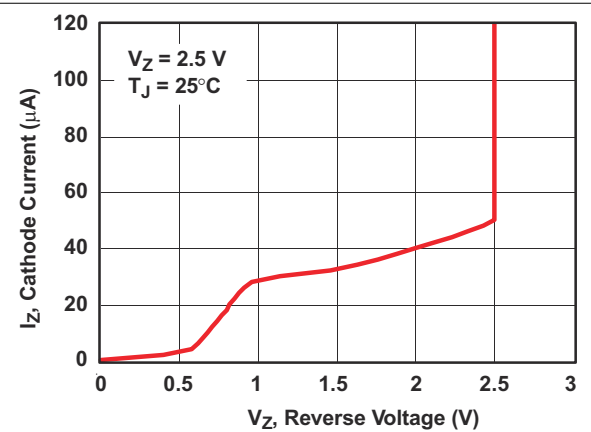
**Figure 6-1. Temperature Drift for Different Average Temperature Coefficients**



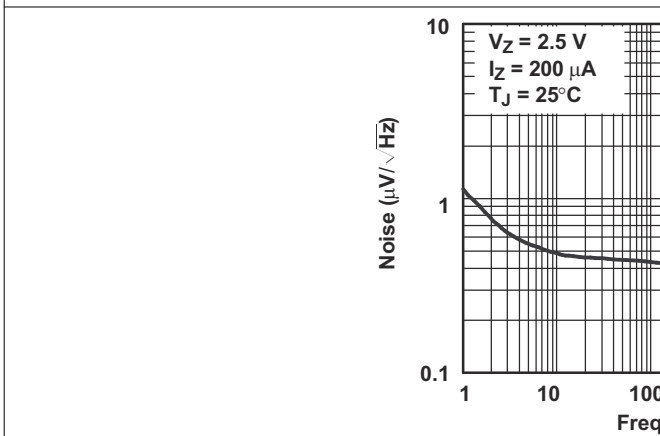
**Figure 6-2. Output Impedance vs Frequency**



**Figure 6-3. Output Impedance vs Frequency**



**Figure 6-4. Cathode Current vs. Reverse Voltage**



**Figure 6-5. Noise Voltage vs Frequency**

## 7 Detailed Description

### 7.1 Overview

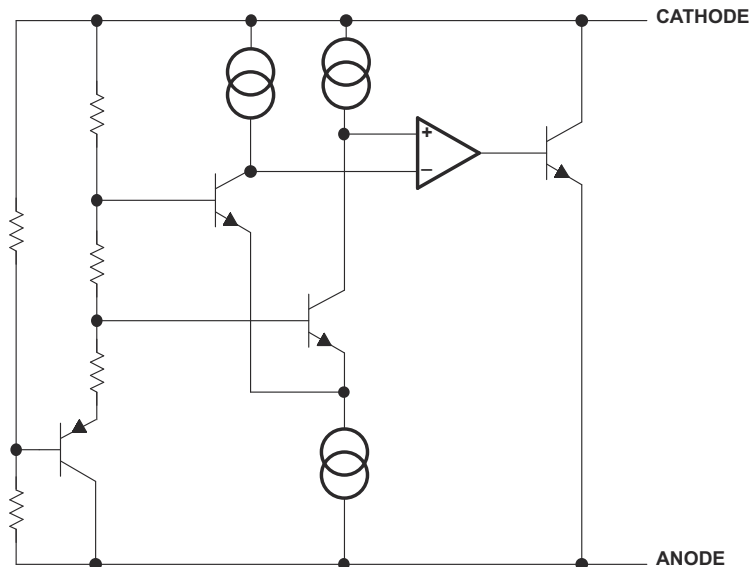
The LM4040 is a precision micro-power curvature-corrected bandgap shunt voltage reference. The LM4040 has been designed for stable operation without the need of an external capacitor connected between the “+” pin and the “-” pin. If, however, a bypass capacitor is used, the LM4040 remains stable.

LM4040 offers several fixed reverse breakdown voltages: 2.048V, 2.500V, 3.000V, 4.096V, 5.000V, 6.000, 8.192V, and 10.000V. The minimum operating current increases from 60 $\mu$ A for the LM4040-N-2.048 and LM4040-N-2.5 to 100 $\mu$ A for the 10.0V LM4040. All versions have a maximum operating current of 15mA.

Each reverse voltage options can be purchased with initial tolerances (at 25°C) of 0.1%, 0.2%, 0.5% and 1.0%. These reference options are denoted by A (0.1%), B (0.2%), C (0.5%) and D for (1.0%).

The LM4040xxxI devices are characterized for operation from –40°C to 85°C, and the LM4040xxxQ devices are characterized for operation from –40°C to 125°C.

### 7.2 Functional Block Diagram



### 7.3 Feature Description

A temperature compensated band gap voltage reference controls high gain amplifier and shunt pass element to maintain a nearly constant voltage between cathode and anode. Regulation occurs after a minimum current is provided to power the voltage divider and amplifier. Internal frequency compensation provides a stable loop for all capacitor loads. Floating shunt design is useful for both positive and negative regulation applications.

### 7.4 Device Functional Modes

#### 7.4.1 Shunt Reference

LM4040 does not operate in one mode, which is as a fixed voltage reference that cannot be adjusted. LM4040 does offer various Reverse Voltage options that have unique electrical characteristics detailed in [Section 6](#).

For a proper Reverse Voltage to be developed, current must be sourced into the cathode of LM4040. The minimum current needed for proper regulation is denoted in [Section 6](#) as  $I_{Z,min}$ .

## 8 Applications and Implementation

### Note

Information in the following applications sections is not part of the TI component specification, and TI does not warrant its accuracy or completeness. TI's customers are responsible for determining suitability of components for their purposes, as well as validating and testing their design implementation to confirm system functionality.

### 8.1 Application Information

LM4040 is a well known industry standard device used in several applications and end equipment where a reference is required. Below describes this device being used in a data acquisition system. Analog to Digital conversion systems are the most common applications to use LM4040 due to the devices low reference tolerance which allows high precision in these systems.

### 8.2 Typical Applications

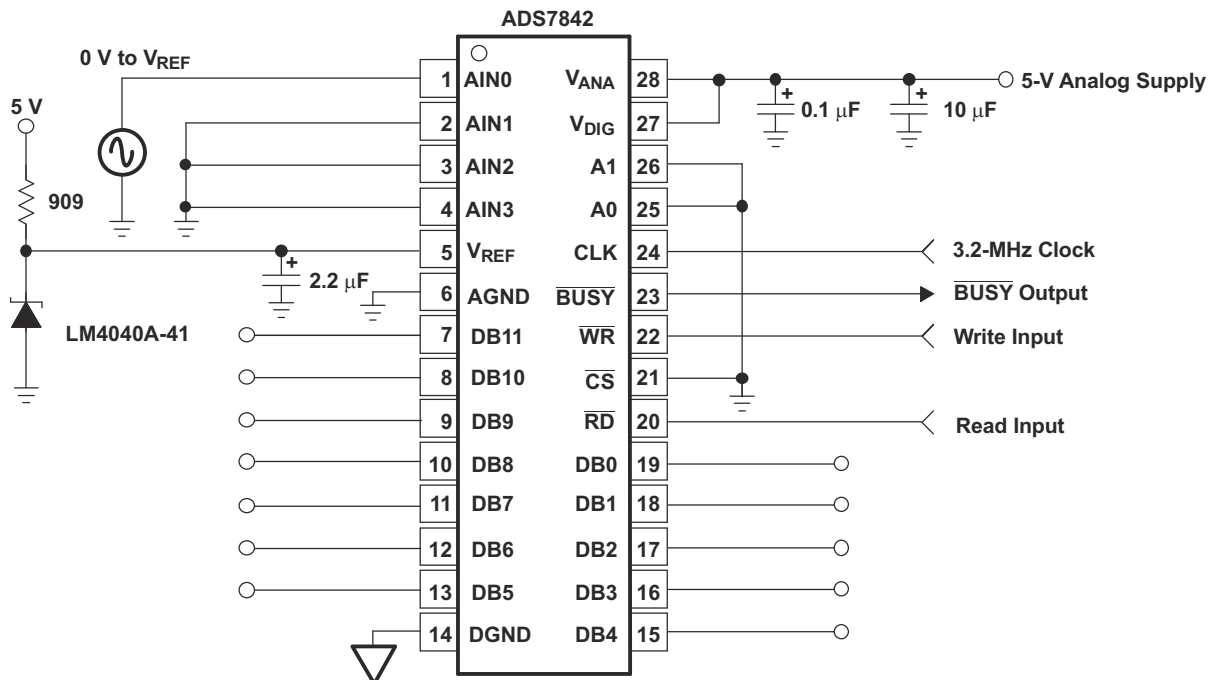


Figure 8-1. Data-Acquisition Circuit With LM4040x-41

#### 8.2.1 Design Requirements

For this design example, use the parameters listed in Table 8-1 as the input parameters.

Table 8-1. Design Parameters

DESIGN PARAMETER	EXAMPLE VALUE
ADC FSR (Full Scale Range)	4.096
ADC Resolution	12 Bits
Supply Voltage	5V
Cathode Current (Ik)	100µA

## 8.2.2 Detailed Design Procedure

When using LM4040 as a comparator with reference, determine the following:

- Input voltage range
- Reference voltage accuracy
- Output logic input high and low level thresholds
- Current source resistance

### 8.2.2.1 LM4040 Voltage and Accuracy Choice

When using LM4040 as a reference for an ADC, the ADC's FSR (Full Scale Range), Resolution and LSB must be determined. LSB can be determined by:

$$\text{LSB} = \text{FSR} / (2^N - 1)$$

With N being the resolution or Number of Bits. FSR and Resolution can be determined by the ADC's data sheet.

Vref can be determined by:

$$\text{Vref} = \text{FSR} + \text{LSB}$$

Though modern data converters use calibration techniques to compensate for any error introduced by a Vref's inaccuracy, use the highest accuracy available. This is due to errors in the calibration method that can allow some non-linearity introduced by the Vref's initial accuracy.

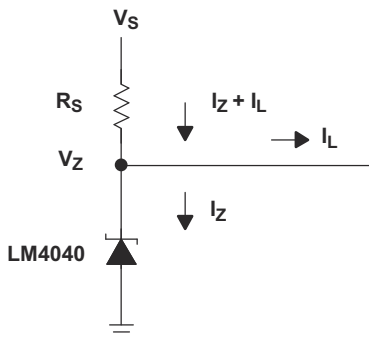
A good example is the LM4040x-41 that is designed to be a cost-effective voltage reference as required in 12-bit data-acquisition systems. For 12-bit systems operating from 5V supplies (see [Figure 8-1](#)), the LM4040A-41 (4.096V, 0.01%) only introduces 4 LSBs (4mV) of possible error in a system that consists of 4096 LSBs.

### 8.2.2.2 Cathode and Load Currents

In a typical shunt-regulator configuration (see [Figure 8-2](#)), an external resistor,  $R_S$ , is connected between the supply and the cathode of the LM4040.  $R_S$  must be set properly, as  $R_S$  sets the total current available to supply the load ( $I_L$ ) and bias the LM4040 ( $I_Z$ ). In all cases,  $I_Z$  must stay within a specified range for proper operation of the reference. Taking into consideration one extreme in the variation of the load and supply voltage (maximum  $I_L$  and minimum  $V_S$ ),  $R_S$  must be small enough to supply the minimum  $I_Z$  required for operation of the regulator, as given by data-sheet parameters. At the other extreme, maximum  $V_S$  and minimum  $I_L$ ,  $R_S$  must be large enough to limit  $I_Z$  to less than the maximum-rated value of 15mA.

$R_S$  is calculated according to [Equation 1](#):

$$R_S = \frac{(V_S - V_Z)}{(I_L + I_Z)} \tag{1}$$



**Figure 8-2. Shunt Regulator**

### 8.2.2.3 Output Capacitor

The LM4040 does not require an output capacitor across cathode and anode for stability. However, if an output bypass capacitor is desired, the LM4040 is designed to be stable with all capacitive loads.

### 8.2.2.4 SOT-23 Connections

There is a parasitic Schottky diode connected between pins 2 and 3 of the SOT-23 packaged device. Thus, pin 3 of the SOT-23 package must be left floating or connected to pin 2.

### 8.2.2.5 Start-Up Characteristics

In any data conversion system, start-up characteristics are important, as to determine when to safely begin conversion based upon a steady and settled reference value. As shown in Figure 8-4 allow >20 $\mu$ s from supply start-up to begin conversion.

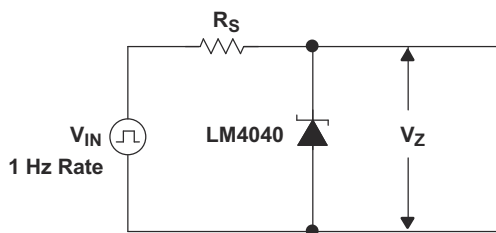


Figure 8-3. Test Circuit

### 8.2.3 Application Curve

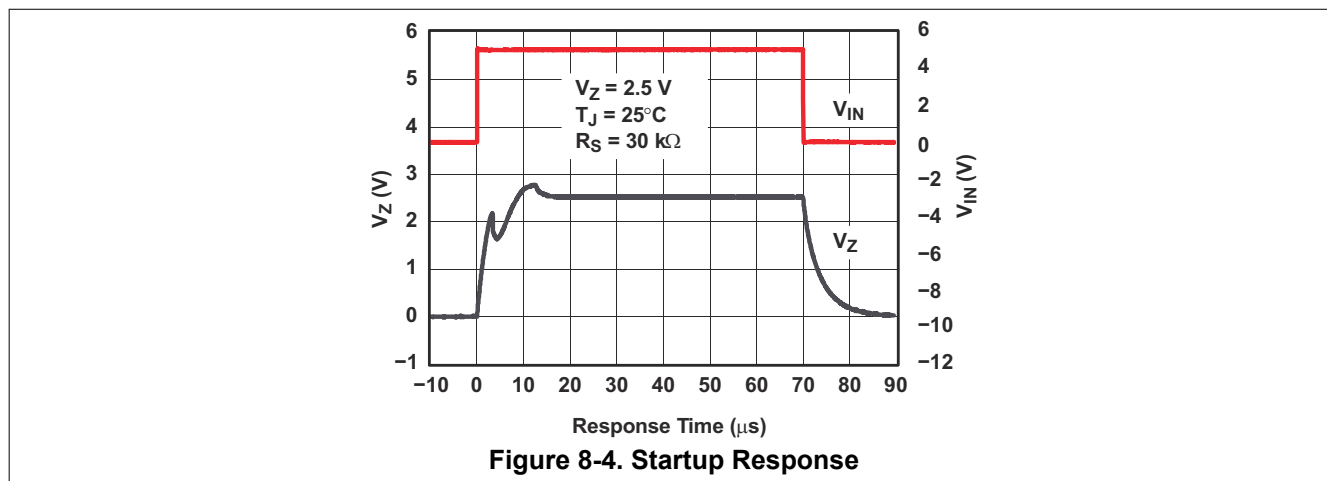


Figure 8-4. Startup Response

## 8.3 Power Supply Recommendations

To not exceed the maximum cathode current, be sure that the supply voltage is current limited.

For applications shunting high currents (15mA max), pay attention to the cathode and anode trace lengths, adjusting the width of the traces to have the proper current density.

## 8.4 Layout

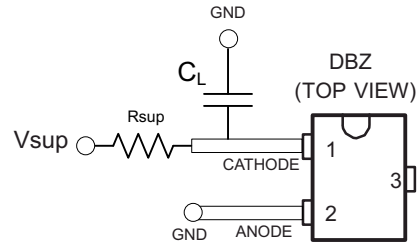
### 8.4.1 Layout Guidelines

Figure 8-5 shows an example of a PCB layout of LM4040XXDBZ. Some key  $V_{ref}$  noise considerations are:

- Connect a low ESR, 0.1 $\mu$ F ( $C_L$ ) ceramic bypass capacitor on the cathode pin node.
- Decouple other active devices in the system per the device specifications.
- Using a solid ground plane helps distribute heat and reduces electromagnetic interference (EMI) noise pickup.

- Place the external components as close to the device as possible. This configuration prevents parasitic errors (such as the Seebeck effect) from occurring.
- Do not run sensitive analog traces in parallel with digital traces. Avoid crossing digital and analog traces if possible and only make perpendicular crossings when absolutely necessary.

### 8.4.2 Layout Example



**Figure 8-5. DBZ Layout example**

## 9 Device and Documentation Support

### 9.1 Related Links

The table below lists quick access links. Categories include technical documents, support and community resources, tools and software, and quick access to order now.

**Table 9-1. Related Links**

PARTS	PRODUCT FOLDER	ORDER NOW	TECHNICAL DOCUMENTS	TOOLS & SOFTWARE	SUPPORT & COMMUNITY
LM4040A	<a href="#">Click here</a>	<a href="#">Click here</a>	<a href="#">Click here</a>	<a href="#">Click here</a>	<a href="#">Click here</a>
LM4040B	<a href="#">Click here</a>	<a href="#">Click here</a>	<a href="#">Click here</a>	<a href="#">Click here</a>	<a href="#">Click here</a>
LM4040C	<a href="#">Click here</a>	<a href="#">Click here</a>	<a href="#">Click here</a>	<a href="#">Click here</a>	<a href="#">Click here</a>
LM4040D	<a href="#">Click here</a>	<a href="#">Click here</a>	<a href="#">Click here</a>	<a href="#">Click here</a>	<a href="#">Click here</a>

### 9.2 Receiving Notification of Documentation Updates

To receive notification of documentation updates, navigate to the device product folder on [ti.com](#). Click on *Notifications* to register and receive a weekly digest of any product information that has changed. For change details, review the revision history included in any revised document.

### 9.3 Support Resources

[TI E2E™ support forums](#) are an engineer's go-to source for fast, verified answers and design help — straight from the experts. Search existing answers or ask your own question to get the quick design help you need.

Linked content is provided "AS IS" by the respective contributors. They do not constitute TI specifications and do not necessarily reflect TI's views; see TI's [Terms of Use](#).

### 9.4 Trademarks

TI E2E™ is a trademark of Texas Instruments.  
 All trademarks are the property of their respective owners.

### 9.5 Electrostatic Discharge Caution



This integrated circuit can be damaged by ESD. Texas Instruments recommends that all integrated circuits be handled with appropriate precautions. Failure to observe proper handling and installation procedures can cause damage.

ESD damage can range from subtle performance degradation to complete device failure. Precision integrated circuits may be more susceptible to damage because very small parametric changes could cause the device not to meet its published specifications.

### 9.6 Glossary

[TI Glossary](#) This glossary lists and explains terms, acronyms, and definitions.

## 10 Revision History

NOTE: Page numbers for previous revisions may differ from page numbers in the current version.

Changes from Revision P (March 2025) to Revision Q (April 2026)	Page
• Corrected pin count for SC70 package and added pin information for TO-92 package in device information table.....	1

Changes from Revision O (June 2024) to Revision P (March 2025)	Page
• Updated pinout diagrams .....	4
• Updated CDM ESD ratings.....	5
• Updated reverse breakdown voltage change with cathode current change.....	22

- Updated reverse breakdown voltage change with cathode current change.....23
- 

**Changes from Revision N (October 2017) to Revision O (June 2024) Page**

- Updated the numbering format for tables, figures and cross-references throughout the document..... 1
- 

**Changes from Revision M (January 2015) to Revision N (October 2017) Page**

- Changed generic part number to include shorter list (LM4040A/B/C/D)..... 1
  - Added Average temperature coefficient of reverse breakdown voltage footnote to all electrical tables.....6
  - Changed Thermal hysteresis in electrical characteristics tables..... 6
- 

**Changes from Revision L (January 2009) to Revision M (January 2015) Page**

- Added *Applications*, *Device Information* table, *Pin Functions* table, *ESD Ratings* table, *Thermal Information* table, *Feature Description* section, *Device Functional Modes*, *Application and Implementation* section, *Power Supply Recommendations* section, *Layout* section, *Device and Documentation Support* section, and *Mechanical, Packaging, and Orderable Information* section..... 1
  - Deleted *Ordering Information* table..... 1
- 

## 11 Mechanical, Packaging, and Orderable Information

The following pages include mechanical, packaging, and orderable information. This information is the most current data available for the designated devices. This data is subject to change without notice and revision of this document. For browser-based versions of this data sheet, refer to the left-hand navigation.

**PACKAGING INFORMATION**

Orderable part number	Status (1)	Material type (2)	Package   Pins	Package qty   Carrier	RoHS (3)	Lead finish/ Ball material (4)	MSL rating/ Peak reflow (5)	Op temp (°C)	Part marking (6)
<a href="#">LM4040A10IDBZR</a>	Active	Production	SOT-23 (DBZ)   3	3000   LARGE T&R	Yes	NIPDAU	Level-1-260C-UNLIM	-40 to 85	(4NQ3, 4NQU)
LM4040A10IDBZR.A	Active	Production	SOT-23 (DBZ)   3	3000   LARGE T&R	Yes	NIPDAU	Level-1-260C-UNLIM	-40 to 85	(4NQ3, 4NQU)
<a href="#">LM4040A10IDBZR1G4</a>	Active	Production	SOT-23 (DBZ)   3	3000   LARGE T&R	Yes	NIPDAU	Level-1-260C-UNLIM	-40 to 85	(4NQ3, 4NQU)
LM4040A10IDBZR1G4.A	Active	Production	SOT-23 (DBZ)   3	3000   LARGE T&R	Yes	NIPDAU	Level-1-260C-UNLIM	-40 to 85	(4NQ3, 4NQU)
<a href="#">LM4040A10IDBZT</a>	Active	Production	SOT-23 (DBZ)   3	250   SMALL T&R	Yes	NIPDAU	Level-1-260C-UNLIM	-40 to 85	(4NQ3, 4NQU)
LM4040A10IDBZT.A	Active	Production	SOT-23 (DBZ)   3	250   SMALL T&R	Yes	NIPDAU	Level-1-260C-UNLIM	-40 to 85	(4NQ3, 4NQU)
<a href="#">LM4040A10IDCKR</a>	Active	Production	SC70 (DCK)   5	3000   LARGE T&R	Yes	NIPDAU   SN	Level-1-260C-UNLIM	-40 to 85	PHU
LM4040A10IDCKR.A	Active	Production	SC70 (DCK)   5	3000   LARGE T&R	Yes	SN	Level-1-260C-UNLIM	-40 to 85	PHU
<a href="#">LM4040A20IDBZR</a>	Active	Production	SOT-23 (DBZ)   3	3000   LARGE T&R	Yes	NIPDAU   SN	Level-1-260C-UNLIM	-40 to 85	(4MC3, 4MCU)
LM4040A20IDBZR.A	Active	Production	SOT-23 (DBZ)   3	3000   LARGE T&R	Yes	NIPDAU	Level-1-260C-UNLIM	-40 to 85	(4MC3, 4MCU)
<a href="#">LM4040A20IDBZT</a>	Active	Production	SOT-23 (DBZ)   3	250   SMALL T&R	Yes	NIPDAU	Level-1-260C-UNLIM	-40 to 85	(4MC3, 4MCU)
LM4040A20IDBZT.A	Active	Production	SOT-23 (DBZ)   3	250   SMALL T&R	Yes	NIPDAU	Level-1-260C-UNLIM	-40 to 85	(4MC3, 4MCU)
<a href="#">LM4040A20IDCKR</a>	Active	Production	SC70 (DCK)   5	3000   LARGE T&R	Yes	NIPDAU   SN	Level-1-260C-UNLIM	-40 to 85	MSU
LM4040A20IDCKR.A	Active	Production	SC70 (DCK)   5	3000   LARGE T&R	Yes	SN	Level-1-260C-UNLIM	-40 to 85	MSU
<a href="#">LM4040A25IDBZR</a>	Active	Production	SOT-23 (DBZ)   3	3000   LARGE T&R	Yes	NIPDAU   SN	Level-1-260C-UNLIM	-40 to 85	(4NG3, 4NGU)
LM4040A25IDBZR.A	Active	Production	SOT-23 (DBZ)   3	3000   LARGE T&R	Yes	NIPDAU	Level-1-260C-UNLIM	-40 to 85	(4NG3, 4NGU)
<a href="#">LM4040A25IDBZR1G4</a>	Active	Production	SOT-23 (DBZ)   3	3000   LARGE T&R	Yes	NIPDAU	Level-1-260C-UNLIM	-40 to 125	4NG3
LM4040A25IDBZR1G4.A	Active	Production	SOT-23 (DBZ)   3	3000   LARGE T&R	Yes	NIPDAU	Level-1-260C-UNLIM	-40 to 125	4NG3
<a href="#">LM4040A25IDBZT</a>	Active	Production	SOT-23 (DBZ)   3	250   SMALL T&R	Yes	NIPDAU	Level-1-260C-UNLIM	-40 to 85	(4NG3, 4NGU)
LM4040A25IDBZT.A	Active	Production	SOT-23 (DBZ)   3	250   SMALL T&R	Yes	NIPDAU	Level-1-260C-UNLIM	-40 to 85	(4NG3, 4NGU)
<a href="#">LM4040A25IDCKR</a>	Active	Production	SC70 (DCK)   5	3000   LARGE T&R	Yes	NIPDAU   SN	Level-1-260C-UNLIM	-40 to 85	P2U
LM4040A25IDCKR.A	Active	Production	SC70 (DCK)   5	3000   LARGE T&R	Yes	SN	Level-1-260C-UNLIM	-40 to 85	P2U
<a href="#">LM4040A30IDBZR</a>	Active	Production	SOT-23 (DBZ)   3	3000   LARGE T&R	Yes	NIPDAU   SN	Level-1-260C-UNLIM	-40 to 85	(4M63, 4M6U)
LM4040A30IDBZR.A	Active	Production	SOT-23 (DBZ)   3	3000   LARGE T&R	Yes	NIPDAU	Level-1-260C-UNLIM	-40 to 85	(4M63, 4M6U)
<a href="#">LM4040A30IDBZR1G4</a>	Active	Production	SOT-23 (DBZ)   3	3000   LARGE T&R	Yes	NIPDAU	Level-1-260C-UNLIM	-40 to 125	4M63
LM4040A30IDBZR1G4.A	Active	Production	SOT-23 (DBZ)   3	3000   LARGE T&R	Yes	NIPDAU	Level-1-260C-UNLIM	-40 to 125	4M63
<a href="#">LM4040A30IDBZT</a>	Active	Production	SOT-23 (DBZ)   3	250   SMALL T&R	Yes	NIPDAU	Level-1-260C-UNLIM	-40 to 85	(4M63, 4M6U)
LM4040A30IDBZT.A	Active	Production	SOT-23 (DBZ)   3	250   SMALL T&R	Yes	NIPDAU	Level-1-260C-UNLIM	-40 to 85	(4M63, 4M6U)
<a href="#">LM4040A30IDCKR</a>	Active	Production	SC70 (DCK)   5	3000   LARGE T&R	Yes	NIPDAU   SN	Level-1-260C-UNLIM	-40 to 85	P9U

Orderable part number	Status (1)	Material type (2)	Package   Pins	Package qty   Carrier	RoHS (3)	Lead finish/ Ball material (4)	MSL rating/ Peak reflow (5)	Op temp (°C)	Part marking (6)
LM4040A30IDCKR.A	Active	Production	SC70 (DCK)   5	3000   LARGE T&R	Yes	SN	Level-1-260C-UNLIM	-40 to 85	P9U
<a href="#">LM4040A41IDBZR</a>	Active	Production	SOT-23 (DBZ)   3	3000   LARGE T&R	Yes	NIPDAU   SN	Level-1-260C-UNLIM	-40 to 85	(4M23, 4M2U)
LM4040A41IDBZR.A	Active	Production	SOT-23 (DBZ)   3	3000   LARGE T&R	Yes	NIPDAU	Level-1-260C-UNLIM	-40 to 85	(4M23, 4M2U)
<a href="#">LM4040A41IDBZT</a>	Active	Production	SOT-23 (DBZ)   3	250   SMALL T&R	Yes	NIPDAU	Level-1-260C-UNLIM	-40 to 85	(4M23, 4M2U)
LM4040A41IDBZT.A	Active	Production	SOT-23 (DBZ)   3	250   SMALL T&R	Yes	NIPDAU	Level-1-260C-UNLIM	-40 to 85	(4M23, 4M2U)
LM4040A41IDBZT1G4	Active	Production	SOT-23 (DBZ)   3	250   SMALL T&R	Yes	NIPDAU	Level-1-260C-UNLIM	-40 to 125	4M23
LM4040A41IDBZT1G4.A	Active	Production	SOT-23 (DBZ)   3	250   SMALL T&R	Yes	NIPDAU	Level-1-260C-UNLIM	-40 to 125	4M23
<a href="#">LM4040A41IDCKR</a>	Active	Production	SC70 (DCK)   5	3000   LARGE T&R	Yes	NIPDAU   SN	Level-1-260C-UNLIM	-40 to 85	P4U
LM4040A41IDCKR.A	Active	Production	SC70 (DCK)   5	3000   LARGE T&R	Yes	SN	Level-1-260C-UNLIM	-40 to 85	P4U
<a href="#">LM4040A50IDBZR</a>	Active	Production	SOT-23 (DBZ)   3	3000   LARGE T&R	Yes	NIPDAU   SN	Level-1-260C-UNLIM	-40 to 85	(4NA3, 4NAU)
LM4040A50IDBZR.A	Active	Production	SOT-23 (DBZ)   3	3000   LARGE T&R	Yes	NIPDAU	Level-1-260C-UNLIM	-40 to 85	(4NA3, 4NAU)
<a href="#">LM4040A50IDBZT</a>	Active	Production	SOT-23 (DBZ)   3	250   SMALL T&R	Yes	NIPDAU	Level-1-260C-UNLIM	-40 to 85	(4NA3, 4NAU)
LM4040A50IDBZT.A	Active	Production	SOT-23 (DBZ)   3	250   SMALL T&R	Yes	NIPDAU	Level-1-260C-UNLIM	-40 to 85	(4NA3, 4NAU)
LM4040A50IDBZT1G4	Active	Production	SOT-23 (DBZ)   3	250   SMALL T&R	Yes	NIPDAU	Level-1-260C-UNLIM	-40 to 125	4NA3
LM4040A50IDBZT1G4.A	Active	Production	SOT-23 (DBZ)   3	250   SMALL T&R	Yes	NIPDAU	Level-1-260C-UNLIM	-40 to 125	4NA3
<a href="#">LM4040A50IDCKR</a>	Active	Production	SC70 (DCK)   5	3000   LARGE T&R	Yes	NIPDAU   SN	Level-1-260C-UNLIM	-40 to 85	N5U
LM4040A50IDCKR.A	Active	Production	SC70 (DCK)   5	3000   LARGE T&R	Yes	SN	Level-1-260C-UNLIM	-40 to 85	N5U
<a href="#">LM4040A82IDBZR</a>	Active	Production	SOT-23 (DBZ)   3	3000   LARGE T&R	Yes	NIPDAU	Level-1-260C-UNLIM	-40 to 85	(4NL3, 4NLU)
LM4040A82IDBZR.A	Active	Production	SOT-23 (DBZ)   3	3000   LARGE T&R	Yes	NIPDAU	Level-1-260C-UNLIM	-40 to 85	(4NL3, 4NLU)
<a href="#">LM4040A82IDBZT</a>	Active	Production	SOT-23 (DBZ)   3	250   SMALL T&R	Yes	NIPDAU	Level-1-260C-UNLIM	-40 to 85	(4NL3, 4NLU)
LM4040A82IDBZT.A	Active	Production	SOT-23 (DBZ)   3	250   SMALL T&R	Yes	NIPDAU	Level-1-260C-UNLIM	-40 to 85	(4NL3, 4NLU)
<a href="#">LM4040A82IDCKR</a>	Active	Production	SC70 (DCK)   5	3000   LARGE T&R	Yes	NIPDAU   SN	Level-1-260C-UNLIM	-40 to 85	PDU
LM4040A82IDCKR.A	Active	Production	SC70 (DCK)   5	3000   LARGE T&R	Yes	SN	Level-1-260C-UNLIM	-40 to 85	PDU
<a href="#">LM4040B10IDBZR</a>	Active	Production	SOT-23 (DBZ)   3	3000   LARGE T&R	Yes	NIPDAU	Level-1-260C-UNLIM	-40 to 85	(4NR3, 4NRU)
LM4040B10IDBZR.A	Active	Production	SOT-23 (DBZ)   3	3000   LARGE T&R	Yes	NIPDAU	Level-1-260C-UNLIM	-40 to 85	(4NR3, 4NRU)
<a href="#">LM4040B10IDBZT</a>	Active	Production	SOT-23 (DBZ)   3	250   SMALL T&R	Yes	NIPDAU	Level-1-260C-UNLIM	-40 to 85	(4NR3, 4NRU)
LM4040B10IDBZT.A	Active	Production	SOT-23 (DBZ)   3	250   SMALL T&R	Yes	NIPDAU	Level-1-260C-UNLIM	-40 to 85	(4NR3, 4NRU)
<a href="#">LM4040B10IDCKR</a>	Active	Production	SC70 (DCK)   5	3000   LARGE T&R	Yes	NIPDAU   SN	Level-1-260C-UNLIM	-40 to 85	PJU
LM4040B10IDCKR.A	Active	Production	SC70 (DCK)   5	3000   LARGE T&R	Yes	SN	Level-1-260C-UNLIM	-40 to 85	PJU
<a href="#">LM4040B20IDBZR</a>	Active	Production	SOT-23 (DBZ)   3	3000   LARGE T&R	Yes	NIPDAU	Level-1-260C-UNLIM	-40 to 85	(4MD3, 4MDU)
LM4040B20IDBZR.A	Active	Production	SOT-23 (DBZ)   3	3000   LARGE T&R	Yes	NIPDAU	Level-1-260C-UNLIM	-40 to 85	(4MD3, 4MDU)

Orderable part number	Status (1)	Material type (2)	Package   Pins	Package qty   Carrier	RoHS (3)	Lead finish/ Ball material (4)	MSL rating/ Peak reflow (5)	Op temp (°C)	Part marking (6)
<a href="#">LM4040B20IDBZT</a>	Active	Production	SOT-23 (DBZ)   3	250   SMALL T&R	Yes	NIPDAU	Level-1-260C-UNLIM	-40 to 85	(4MD3, 4MDU)
LM4040B20IDBZT.A	Active	Production	SOT-23 (DBZ)   3	250   SMALL T&R	Yes	NIPDAU	Level-1-260C-UNLIM	-40 to 85	(4MD3, 4MDU)
<a href="#">LM4040B20IDCKR</a>	Active	Production	SC70 (DCK)   5	3000   LARGE T&R	Yes	NIPDAU   SN	Level-1-260C-UNLIM	-40 to 85	(MTS, MTU)
LM4040B20IDCKR.A	Active	Production	SC70 (DCK)   5	3000   LARGE T&R	Yes	SN	Level-1-260C-UNLIM	-40 to 85	(MTS, MTU)
<a href="#">LM4040B25IDBZR</a>	Active	Production	SOT-23 (DBZ)   3	3000   LARGE T&R	Yes	NIPDAU	Level-1-260C-UNLIM	-40 to 85	(4NH3, 4NHU)
LM4040B25IDBZR.A	Active	Production	SOT-23 (DBZ)   3	3000   LARGE T&R	Yes	NIPDAU	Level-1-260C-UNLIM	-40 to 85	(4NH3, 4NHU)
LM4040B25IDBZR1G4	Active	Production	SOT-23 (DBZ)   3	3000   LARGE T&R	Yes	NIPDAU	Level-1-260C-UNLIM	-40 to 125	4NH3
LM4040B25IDBZR1G4.A	Active	Production	SOT-23 (DBZ)   3	3000   LARGE T&R	Yes	NIPDAU	Level-1-260C-UNLIM	-40 to 125	4NH3
<a href="#">LM4040B25IDBZT</a>	Active	Production	SOT-23 (DBZ)   3	250   SMALL T&R	Yes	NIPDAU	Level-1-260C-UNLIM	-40 to 85	(4NH3, 4NHU)
LM4040B25IDBZT.A	Active	Production	SOT-23 (DBZ)   3	250   SMALL T&R	Yes	NIPDAU	Level-1-260C-UNLIM	-40 to 85	(4NH3, 4NHU)
<a href="#">LM4040B25IDCKR</a>	Active	Production	SC70 (DCK)   5	3000   LARGE T&R	Yes	NIPDAU   SN	Level-1-260C-UNLIM	-40 to 85	P3U
LM4040B25IDCKR.A	Active	Production	SC70 (DCK)   5	3000   LARGE T&R	Yes	SN	Level-1-260C-UNLIM	-40 to 85	P3U
<a href="#">LM4040B30IDBZR</a>	Active	Production	SOT-23 (DBZ)   3	3000   LARGE T&R	Yes	NIPDAU	Level-1-260C-UNLIM	-40 to 85	(4M73, 4M7U)
LM4040B30IDBZR.A	Active	Production	SOT-23 (DBZ)   3	3000   LARGE T&R	Yes	NIPDAU	Level-1-260C-UNLIM	-40 to 85	(4M73, 4M7U)
<a href="#">LM4040B30IDBZT</a>	Active	Production	SOT-23 (DBZ)   3	250   SMALL T&R	Yes	NIPDAU	Level-1-260C-UNLIM	-40 to 85	(4M73, 4M7U)
LM4040B30IDBZT.A	Active	Production	SOT-23 (DBZ)   3	250   SMALL T&R	Yes	NIPDAU	Level-1-260C-UNLIM	-40 to 85	(4M73, 4M7U)
<a href="#">LM4040B30IDCKR</a>	Active	Production	SC70 (DCK)   5	3000   LARGE T&R	Yes	NIPDAU   SN	Level-1-260C-UNLIM	-40 to 85	PAU
LM4040B30IDCKR.A	Active	Production	SC70 (DCK)   5	3000   LARGE T&R	Yes	SN	Level-1-260C-UNLIM	-40 to 85	PAU
<a href="#">LM4040B30IDCKRG4</a>	Active	Production	SC70 (DCK)   5	3000   LARGE T&R	Yes	NIPDAU	Level-1-260C-UNLIM	-40 to 85	PAU
LM4040B30IDCKRG4.A	Active	Production	SC70 (DCK)   5	3000   LARGE T&R	Yes	NIPDAU	Level-1-260C-UNLIM	-40 to 85	PAU
<a href="#">LM4040B41IDBZR</a>	Active	Production	SOT-23 (DBZ)   3	3000   LARGE T&R	Yes	NIPDAU	Level-1-260C-UNLIM	-40 to 85	(4M33, 4M3U)
LM4040B41IDBZR.A	Active	Production	SOT-23 (DBZ)   3	3000   LARGE T&R	Yes	NIPDAU	Level-1-260C-UNLIM	-40 to 85	(4M33, 4M3U)
<a href="#">LM4040B41IDBZT</a>	Active	Production	SOT-23 (DBZ)   3	250   SMALL T&R	Yes	NIPDAU	Level-1-260C-UNLIM	-40 to 85	(4M33, 4M3U)
LM4040B41IDBZT.A	Active	Production	SOT-23 (DBZ)   3	250   SMALL T&R	Yes	NIPDAU	Level-1-260C-UNLIM	-40 to 85	(4M33, 4M3U)
<a href="#">LM4040B41IDCKR</a>	Active	Production	SC70 (DCK)   5	3000   LARGE T&R	Yes	NIPDAU   SN	Level-1-260C-UNLIM	-40 to 85	P5U
LM4040B41IDCKR.A	Active	Production	SC70 (DCK)   5	3000   LARGE T&R	Yes	SN	Level-1-260C-UNLIM	-40 to 85	P5U
<a href="#">LM4040B50IDBZR</a>	Active	Production	SOT-23 (DBZ)   3	3000   LARGE T&R	Yes	NIPDAU	Level-1-260C-UNLIM	-40 to 85	(4NB3, 4NBU)
LM4040B50IDBZR.A	Active	Production	SOT-23 (DBZ)   3	3000   LARGE T&R	Yes	NIPDAU	Level-1-260C-UNLIM	-40 to 85	(4NB3, 4NBU)
<a href="#">LM4040B50IDBZT</a>	Active	Production	SOT-23 (DBZ)   3	250   SMALL T&R	Yes	NIPDAU	Level-1-260C-UNLIM	-40 to 85	(4NB3, 4NBU)
LM4040B50IDBZT.A	Active	Production	SOT-23 (DBZ)   3	250   SMALL T&R	Yes	NIPDAU	Level-1-260C-UNLIM	-40 to 85	(4NB3, 4NBU)
LM4040B50IDBZT1G4	Active	Production	SOT-23 (DBZ)   3	250   SMALL T&R	Yes	NIPDAU	Level-1-260C-UNLIM	-40 to 125	4NB3

Orderable part number	Status (1)	Material type (2)	Package   Pins	Package qty   Carrier	RoHS (3)	Lead finish/ Ball material (4)	MSL rating/ Peak reflow (5)	Op temp (°C)	Part marking (6)
LM4040B50IDBZT1G4.A	Active	Production	SOT-23 (DBZ)   3	250   SMALL T&R	Yes	NIPDAU	Level-1-260C-UNLIM	-40 to 125	4NB3
<a href="#">LM4040B50IDCKR</a>	Active	Production	SC70 (DCK)   5	3000   LARGE T&R	Yes	NIPDAU   SN	Level-1-260C-UNLIM	-40 to 85	MXU
LM4040B50IDCKR.A	Active	Production	SC70 (DCK)   5	3000   LARGE T&R	Yes	SN	Level-1-260C-UNLIM	-40 to 85	MXU
<a href="#">LM4040B82IDBZR</a>	Active	Production	SOT-23 (DBZ)   3	3000   LARGE T&R	Yes	NIPDAU	Level-1-260C-UNLIM	-40 to 85	(4NM3, 4NMU)
LM4040B82IDBZR.A	Active	Production	SOT-23 (DBZ)   3	3000   LARGE T&R	Yes	NIPDAU	Level-1-260C-UNLIM	-40 to 85	(4NM3, 4NMU)
<a href="#">LM4040C10IDBZR</a>	Active	Production	SOT-23 (DBZ)   3	3000   LARGE T&R	Yes	NIPDAU	Level-1-260C-UNLIM	-40 to 85	(4NS3, 4NSU)
LM4040C10IDBZR.A	Active	Production	SOT-23 (DBZ)   3	3000   LARGE T&R	Yes	NIPDAU	Level-1-260C-UNLIM	-40 to 85	(4NS3, 4NSU)
<a href="#">LM4040C10IDBZT</a>	Active	Production	SOT-23 (DBZ)   3	250   SMALL T&R	Yes	NIPDAU	Level-1-260C-UNLIM	-40 to 85	(4NS3, 4NSU)
LM4040C10IDBZT.A	Active	Production	SOT-23 (DBZ)   3	250   SMALL T&R	Yes	NIPDAU	Level-1-260C-UNLIM	-40 to 85	(4NS3, 4NSU)
<a href="#">LM4040C10IDCKR</a>	Active	Production	SC70 (DCK)   5	3000   LARGE T&R	Yes	NIPDAU   SN	Level-1-260C-UNLIM	-40 to 85	PKU
LM4040C10IDCKR.A	Active	Production	SC70 (DCK)   5	3000   LARGE T&R	Yes	SN	Level-1-260C-UNLIM	-40 to 85	PKU
<a href="#">LM4040C10ILP</a>	Obsolete	Production	TO-92 (LP)   3	-	-	Call TI	Call TI	-40 to 85	NFC10I
<a href="#">LM4040C10ILPR</a>	Active	Production	TO-92 (LP)   3	2000   LARGE T&R	Yes	SN	N/A for Pkg Type	-40 to 85	NFC10I
LM4040C10ILPR.A	Active	Production	TO-92 (LP)   3	2000   LARGE T&R	Yes	SN	N/A for Pkg Type	-40 to 85	NFC10I
<a href="#">LM4040C20IDBZR</a>	Active	Production	SOT-23 (DBZ)   3	3000   LARGE T&R	Yes	NIPDAU	Level-1-260C-UNLIM	-40 to 85	(4MQ3, 4MQU)
LM4040C20IDBZR.A	Active	Production	SOT-23 (DBZ)   3	3000   LARGE T&R	Yes	NIPDAU	Level-1-260C-UNLIM	-40 to 85	(4MQ3, 4MQU)
LM4040C20IDBZR1G4	Active	Production	SOT-23 (DBZ)   3	3000   LARGE T&R	Yes	NIPDAU	Level-1-260C-UNLIM	-40 to 125	4MQ3
LM4040C20IDBZR1G4.A	Active	Production	SOT-23 (DBZ)   3	3000   LARGE T&R	Yes	NIPDAU	Level-1-260C-UNLIM	-40 to 125	4MQ3
<a href="#">LM4040C20IDBZT</a>	Active	Production	SOT-23 (DBZ)   3	250   SMALL T&R	Yes	NIPDAU	Level-1-260C-UNLIM	-40 to 85	(4MQ3, 4MQU)
LM4040C20IDBZT.A	Active	Production	SOT-23 (DBZ)   3	250   SMALL T&R	Yes	NIPDAU	Level-1-260C-UNLIM	-40 to 85	(4MQ3, 4MQU)
<a href="#">LM4040C20IDCKR</a>	Active	Production	SC70 (DCK)   5	3000   LARGE T&R	Yes	NIPDAU   SN	Level-1-260C-UNLIM	-40 to 85	MVU
LM4040C20IDCKR.A	Active	Production	SC70 (DCK)   5	3000   LARGE T&R	Yes	SN	Level-1-260C-UNLIM	-40 to 85	MVU
<a href="#">LM4040C20ILP</a>	Active	Production	TO-92 (LP)   3	1000   BULK	Yes	SN	N/A for Pkg Type	-40 to 85	NFC20I
LM4040C20ILP.A	Active	Production	TO-92 (LP)   3	1000   BULK	Yes	SN	N/A for Pkg Type	-40 to 85	NFC20I
LM4040C20ILPE3	Active	Production	TO-92 (LP)   3	1000   BULK	-	Call TI	Call TI	-40 to 85	
<a href="#">LM4040C20ILPR</a>	Active	Production	TO-92 (LP)   3	2000   LARGE T&R	Yes	SN	N/A for Pkg Type	-40 to 85	NFC20I
LM4040C20ILPR.A	Active	Production	TO-92 (LP)   3	2000   LARGE T&R	Yes	SN	N/A for Pkg Type	-40 to 85	NFC20I
<a href="#">LM4040C20QDBZR</a>	Active	Production	SOT-23 (DBZ)   3	3000   LARGE T&R	Yes	NIPDAU	Level-1-260C-UNLIM	-40 to 125	(4MW3, 4MWU)
LM4040C20QDBZR.A	Active	Production	SOT-23 (DBZ)   3	3000   LARGE T&R	Yes	NIPDAU	Level-1-260C-UNLIM	-40 to 125	(4MW3, 4MWU)
<a href="#">LM4040C20QDBZT</a>	Active	Production	SOT-23 (DBZ)   3	250   SMALL T&R	Yes	NIPDAU	Level-1-260C-UNLIM	-40 to 125	(4MW3, 4MWU)
LM4040C20QDBZT.A	Active	Production	SOT-23 (DBZ)   3	250   SMALL T&R	Yes	NIPDAU	Level-1-260C-UNLIM	-40 to 125	(4MW3, 4MWU)

Orderable part number	Status (1)	Material type (2)	Package   Pins	Package qty   Carrier	RoHS (3)	Lead finish/ Ball material (4)	MSL rating/ Peak reflow (5)	Op temp (°C)	Part marking (6)
LM4040C20QDBZT1G4	Active	Production	SOT-23 (DBZ)   3	250   SMALL T&R	Yes	NIPDAU	Level-1-260C-UNLIM	-40 to 125	4MW3
LM4040C20QDBZT1G4.A	Active	Production	SOT-23 (DBZ)   3	250   SMALL T&R	Yes	NIPDAU	Level-1-260C-UNLIM	-40 to 125	4MW3
<a href="#">LM4040C25IDBZR</a>	Active	Production	SOT-23 (DBZ)   3	3000   LARGE T&R	Yes	NIPDAU	Level-1-260C-UNLIM	-40 to 85	(4MU3, 4MUU)
LM4040C25IDBZR.A	Active	Production	SOT-23 (DBZ)   3	3000   LARGE T&R	Yes	NIPDAU	Level-1-260C-UNLIM	-40 to 85	(4MU3, 4MUU)
LM4040C25IDBZR1G4	Active	Production	SOT-23 (DBZ)   3	3000   LARGE T&R	Yes	NIPDAU	Level-1-260C-UNLIM	-40 to 125	4MU3
LM4040C25IDBZR1G4.A	Active	Production	SOT-23 (DBZ)   3	3000   LARGE T&R	Yes	NIPDAU	Level-1-260C-UNLIM	-40 to 125	4MU3
<a href="#">LM4040C25IDBZT</a>	Active	Production	SOT-23 (DBZ)   3	250   SMALL T&R	Yes	NIPDAU	Level-1-260C-UNLIM	-40 to 85	(4MU3, 4MUU)
LM4040C25IDBZT.A	Active	Production	SOT-23 (DBZ)   3	250   SMALL T&R	Yes	NIPDAU	Level-1-260C-UNLIM	-40 to 85	(4MU3, 4MUU)
<a href="#">LM4040C25IDCKR</a>	Active	Production	SC70 (DCK)   5	3000   LARGE T&R	Yes	NIPDAU   SN	Level-1-260C-UNLIM	-40 to 85	MUU
LM4040C25IDCKR.A	Active	Production	SC70 (DCK)   5	3000   LARGE T&R	Yes	SN	Level-1-260C-UNLIM	-40 to 85	MUU
<a href="#">LM4040C25IDCKT</a>	Active	Production	SC70 (DCK)   5	250   SMALL T&R	Yes	NIPDAU   SN	Level-1-260C-UNLIM	-40 to 85	MUU
LM4040C25IDCKT.A	Active	Production	SC70 (DCK)   5	250   SMALL T&R	Yes	SN	Level-1-260C-UNLIM	-40 to 85	MUU
<a href="#">LM4040C25ILP</a>	Active	Production	TO-92 (LP)   3	1000   BULK	Yes	SN	N/A for Pkg Type	-40 to 85	NFC25I
LM4040C25ILP.A	Active	Production	TO-92 (LP)   3	1000   BULK	Yes	SN	N/A for Pkg Type	-40 to 85	NFC25I
<a href="#">LM4040C25ILPR</a>	Active	Production	TO-92 (LP)   3	2000   LARGE T&R	Yes	SN	N/A for Pkg Type	-40 to 85	NFC25I
LM4040C25ILPR.A	Active	Production	TO-92 (LP)   3	2000   LARGE T&R	Yes	SN	N/A for Pkg Type	-40 to 85	NFC25I
<a href="#">LM4040C25QDBZR</a>	Active	Production	SOT-23 (DBZ)   3	3000   LARGE T&R	Yes	NIPDAU	Level-1-260C-UNLIM	-40 to 125	(4MA3, 4MAU)
LM4040C25QDBZR.A	Active	Production	SOT-23 (DBZ)   3	3000   LARGE T&R	Yes	NIPDAU	Level-1-260C-UNLIM	-40 to 125	(4MA3, 4MAU)
LM4040C25QDBZR1G4	Active	Production	SOT-23 (DBZ)   3	3000   LARGE T&R	Yes	NIPDAU	Level-1-260C-UNLIM	-40 to 125	4MA3
LM4040C25QDBZR1G4.A	Active	Production	SOT-23 (DBZ)   3	3000   LARGE T&R	Yes	NIPDAU	Level-1-260C-UNLIM	-40 to 125	4MA3
<a href="#">LM4040C25QDBZT</a>	Active	Production	SOT-23 (DBZ)   3	250   SMALL T&R	Yes	NIPDAU	Level-1-260C-UNLIM	-40 to 125	(4MA3, 4MAU)
LM4040C25QDBZT.A	Active	Production	SOT-23 (DBZ)   3	250   SMALL T&R	Yes	NIPDAU	Level-1-260C-UNLIM	-40 to 125	(4MA3, 4MAU)
<a href="#">LM4040C30IDBZR</a>	Active	Production	SOT-23 (DBZ)   3	3000   LARGE T&R	Yes	NIPDAU	Level-1-260C-UNLIM	-40 to 85	(4M83, 4M8U)
LM4040C30IDBZR.A	Active	Production	SOT-23 (DBZ)   3	3000   LARGE T&R	Yes	NIPDAU	Level-1-260C-UNLIM	-40 to 85	(4M83, 4M8U)
LM4040C30IDBZR1G4	Active	Production	SOT-23 (DBZ)   3	3000   LARGE T&R	Yes	NIPDAU	Level-1-260C-UNLIM	-40 to 125	4M83
LM4040C30IDBZR1G4.A	Active	Production	SOT-23 (DBZ)   3	3000   LARGE T&R	Yes	NIPDAU	Level-1-260C-UNLIM	-40 to 125	4M83
<a href="#">LM4040C30IDBZT</a>	Active	Production	SOT-23 (DBZ)   3	250   SMALL T&R	Yes	NIPDAU	Level-1-260C-UNLIM	-40 to 85	(4M83, 4M8U)
LM4040C30IDBZT.A	Active	Production	SOT-23 (DBZ)   3	250   SMALL T&R	Yes	NIPDAU	Level-1-260C-UNLIM	-40 to 85	(4M83, 4M8U)
<a href="#">LM4040C30IDCKR</a>	Active	Production	SC70 (DCK)   5	3000   LARGE T&R	Yes	NIPDAU   SN	Level-1-260C-UNLIM	-40 to 85	PBU
LM4040C30IDCKR.A	Active	Production	SC70 (DCK)   5	3000   LARGE T&R	Yes	SN	Level-1-260C-UNLIM	-40 to 85	PBU
<a href="#">LM4040C30ILP</a>	Active	Production	TO-92 (LP)   3	1000   BULK	Yes	SN	N/A for Pkg Type	-40 to 85	NFC30I

Orderable part number	Status (1)	Material type (2)	Package   Pins	Package qty   Carrier	RoHS (3)	Lead finish/ Ball material (4)	MSL rating/ Peak reflow (5)	Op temp (°C)	Part marking (6)
LM4040C30ILP.A	Active	Production	TO-92 (LP)   3	1000   BULK	Yes	SN	N/A for Pkg Type	-40 to 85	NFC30I
<a href="#">LM4040C30ILPR</a>	Active	Production	TO-92 (LP)   3	2000   LARGE T&R	Yes	SN	N/A for Pkg Type	-40 to 85	NFC30I
LM4040C30ILPR.A	Active	Production	TO-92 (LP)   3	2000   LARGE T&R	Yes	SN	N/A for Pkg Type	-40 to 85	NFC30I
<a href="#">LM4040C30QDBZR</a>	Active	Production	SOT-23 (DBZ)   3	3000   LARGE T&R	Yes	NIPDAU	Level-1-260C-UNLIM	-40 to 125	(4NJ3, 4NJU)
LM4040C30QDBZR.A	Active	Production	SOT-23 (DBZ)   3	3000   LARGE T&R	Yes	NIPDAU	Level-1-260C-UNLIM	-40 to 125	(4NJ3, 4NJU)
<a href="#">LM4040C30QDBZT</a>	Active	Production	SOT-23 (DBZ)   3	250   SMALL T&R	Yes	NIPDAU	Level-1-260C-UNLIM	-40 to 125	(4NJ3, 4NJU)
LM4040C30QDBZT.A	Active	Production	SOT-23 (DBZ)   3	250   SMALL T&R	Yes	NIPDAU	Level-1-260C-UNLIM	-40 to 125	(4NJ3, 4NJU)
<a href="#">LM4040C41IDBZR</a>	Active	Production	SOT-23 (DBZ)   3	3000   LARGE T&R	Yes	NIPDAU	Level-1-260C-UNLIM	-40 to 85	(4M43, 4M4U)
LM4040C41IDBZR.A	Active	Production	SOT-23 (DBZ)   3	3000   LARGE T&R	Yes	NIPDAU	Level-1-260C-UNLIM	-40 to 85	(4M43, 4M4U)
LM4040C41IDBZR1G4	Active	Production	SOT-23 (DBZ)   3	3000   LARGE T&R	Yes	NIPDAU	Level-1-260C-UNLIM	-40 to 125	4M43
LM4040C41IDBZR1G4.A	Active	Production	SOT-23 (DBZ)   3	3000   LARGE T&R	Yes	NIPDAU	Level-1-260C-UNLIM	-40 to 125	4M43
<a href="#">LM4040C41IDBZT</a>	Active	Production	SOT-23 (DBZ)   3	250   SMALL T&R	Yes	NIPDAU	Level-1-260C-UNLIM	-40 to 85	(4M43, 4M4U)
LM4040C41IDBZT.A	Active	Production	SOT-23 (DBZ)   3	250   SMALL T&R	Yes	NIPDAU	Level-1-260C-UNLIM	-40 to 85	(4M43, 4M4U)
<a href="#">LM4040C41IDCKR</a>	Active	Production	SC70 (DCK)   5	3000   LARGE T&R	Yes	NIPDAU   SN	Level-1-260C-UNLIM	-40 to 85	P6U
LM4040C41IDCKR.A	Active	Production	SC70 (DCK)   5	3000   LARGE T&R	Yes	SN	Level-1-260C-UNLIM	-40 to 85	P6U
<a href="#">LM4040C41ILP</a>	Active	Production	TO-92 (LP)   3	1000   BULK	Yes	SN	N/A for Pkg Type	-40 to 85	NFC41I
LM4040C41ILP.A	Active	Production	TO-92 (LP)   3	1000   BULK	Yes	SN	N/A for Pkg Type	-40 to 85	NFC41I
<a href="#">LM4040C41ILPR</a>	Active	Production	TO-92 (LP)   3	2000   LARGE T&R	Yes	SN	N/A for Pkg Type	-40 to 85	NFC41I
LM4040C41ILPR.A	Active	Production	TO-92 (LP)   3	2000   LARGE T&R	Yes	SN	N/A for Pkg Type	-40 to 85	NFC41I
<a href="#">LM4040C50IDBZR</a>	Active	Production	SOT-23 (DBZ)   3	3000   LARGE T&R	Yes	NIPDAU	Level-1-260C-UNLIM	-40 to 85	(4NC3, 4NCU)
LM4040C50IDBZR.A	Active	Production	SOT-23 (DBZ)   3	3000   LARGE T&R	Yes	NIPDAU	Level-1-260C-UNLIM	-40 to 85	(4NC3, 4NCU)
LM4040C50IDBZR1G4	Active	Production	SOT-23 (DBZ)   3	3000   LARGE T&R	Yes	NIPDAU	Level-1-260C-UNLIM	-40 to 125	4NC3
LM4040C50IDBZR1G4.A	Active	Production	SOT-23 (DBZ)   3	3000   LARGE T&R	Yes	NIPDAU	Level-1-260C-UNLIM	-40 to 125	4NC3
<a href="#">LM4040C50IDBZT</a>	Active	Production	SOT-23 (DBZ)   3	250   SMALL T&R	Yes	NIPDAU	Level-1-260C-UNLIM	-40 to 85	(4NC3, 4NCU)
LM4040C50IDBZT.A	Active	Production	SOT-23 (DBZ)   3	250   SMALL T&R	Yes	NIPDAU	Level-1-260C-UNLIM	-40 to 85	(4NC3, 4NCU)
<a href="#">LM4040C50IDCKR</a>	Active	Production	SC70 (DCK)   5	3000   LARGE T&R	Yes	NIPDAU   SN	Level-1-260C-UNLIM	-40 to 85	MZU
LM4040C50IDCKR.A	Active	Production	SC70 (DCK)   5	3000   LARGE T&R	Yes	SN	Level-1-260C-UNLIM	-40 to 85	MZU
<a href="#">LM4040C50ILP</a>	Active	Production	TO-92 (LP)   3	1000   BULK	Yes	SN	N/A for Pkg Type	-40 to 85	NFC50I
LM4040C50ILP.A	Active	Production	TO-92 (LP)   3	1000   BULK	Yes	SN	N/A for Pkg Type	-40 to 85	NFC50I
<a href="#">LM4040C50ILPR</a>	Active	Production	TO-92 (LP)   3	2000   LARGE T&R	Yes	SN	N/A for Pkg Type	-40 to 85	NFC50I
LM4040C50ILPR.A	Active	Production	TO-92 (LP)   3	2000   LARGE T&R	Yes	SN	N/A for Pkg Type	-40 to 85	NFC50I

Orderable part number	Status (1)	Material type (2)	Package   Pins	Package qty   Carrier	RoHS (3)	Lead finish/ Ball material (4)	MSL rating/ Peak reflow (5)	Op temp (°C)	Part marking (6)
<a href="#">LM4040C50QDBZR</a>	Active	Production	SOT-23 (DBZ)   3	3000   LARGE T&R	Yes	NIPDAU	Level-1-260C-UNLIM	-40 to 125	(4NE3, 4NEU)
LM4040C50QDBZR.A	Active	Production	SOT-23 (DBZ)   3	3000   LARGE T&R	Yes	NIPDAU	Level-1-260C-UNLIM	-40 to 125	(4NE3, 4NEU)
<a href="#">LM4040C50QDBZT</a>	Active	Production	SOT-23 (DBZ)   3	250   SMALL T&R	Yes	NIPDAU	Level-1-260C-UNLIM	-40 to 125	(4NE3, 4NEU)
LM4040C50QDBZT.A	Active	Production	SOT-23 (DBZ)   3	250   SMALL T&R	Yes	NIPDAU	Level-1-260C-UNLIM	-40 to 125	(4NE3, 4NEU)
LM4040C50QDBZT1G4	Active	Production	SOT-23 (DBZ)   3	250   SMALL T&R	Yes	NIPDAU	Level-1-260C-UNLIM	-40 to 125	4NE3
LM4040C50QDBZT1G4.A	Active	Production	SOT-23 (DBZ)   3	250   SMALL T&R	Yes	NIPDAU	Level-1-260C-UNLIM	-40 to 125	4NE3
<a href="#">LM4040C82IDBZR</a>	Active	Production	SOT-23 (DBZ)   3	3000   LARGE T&R	Yes	NIPDAU	Level-1-260C-UNLIM	-40 to 85	(4NN3, 4NNU)
LM4040C82IDBZR.A	Active	Production	SOT-23 (DBZ)   3	3000   LARGE T&R	Yes	NIPDAU	Level-1-260C-UNLIM	-40 to 85	(4NN3, 4NNU)
<a href="#">LM4040C82IDCKR</a>	Active	Production	SC70 (DCK)   5	3000   LARGE T&R	Yes	NIPDAU   SN	Level-1-260C-UNLIM	-40 to 85	PFU
LM4040C82IDCKR.A	Active	Production	SC70 (DCK)   5	3000   LARGE T&R	Yes	SN	Level-1-260C-UNLIM	-40 to 85	PFU
<a href="#">LM4040C82IDCKRG4</a>	Active	Production	SC70 (DCK)   5	3000   LARGE T&R	Yes	NIPDAU	Level-1-260C-UNLIM	-40 to 85	PFU
LM4040C82IDCKRG4.A	Active	Production	SC70 (DCK)   5	3000   LARGE T&R	Yes	NIPDAU	Level-1-260C-UNLIM	-40 to 85	PFU
<a href="#">LM4040C82ILP</a>	Obsolete	Production	TO-92 (LP)   3	-	-	Call TI	Call TI	-40 to 85	NFC82I
<a href="#">LM4040C82ILPR</a>	Active	Production	TO-92 (LP)   3	2000   LARGE T&R	Yes	SN	N/A for Pkg Type	-40 to 85	NFC82I
LM4040C82ILPR.A	Active	Production	TO-92 (LP)   3	2000   LARGE T&R	Yes	SN	N/A for Pkg Type	-40 to 85	NFC82I
<a href="#">LM4040D10IDBZR</a>	Active	Production	SOT-23 (DBZ)   3	3000   LARGE T&R	Yes	NIPDAU	Level-1-260C-UNLIM	-40 to 85	(4NT3, 4NTU)
LM4040D10IDBZR.A	Active	Production	SOT-23 (DBZ)   3	3000   LARGE T&R	Yes	NIPDAU	Level-1-260C-UNLIM	-40 to 85	(4NT3, 4NTU)
<a href="#">LM4040D10IDBZT</a>	Active	Production	SOT-23 (DBZ)   3	250   SMALL T&R	Yes	NIPDAU	Level-1-260C-UNLIM	-40 to 85	(4NT3, 4NTU)
LM4040D10IDBZT.A	Active	Production	SOT-23 (DBZ)   3	250   SMALL T&R	Yes	NIPDAU	Level-1-260C-UNLIM	-40 to 85	(4NT3, 4NTU)
<a href="#">LM4040D10IDCKR</a>	Active	Production	SC70 (DCK)   5	3000   LARGE T&R	Yes	NIPDAU   SN	Level-1-260C-UNLIM	-40 to 85	PLU
LM4040D10IDCKR.A	Active	Production	SC70 (DCK)   5	3000   LARGE T&R	Yes	SN	Level-1-260C-UNLIM	-40 to 85	PLU
<a href="#">LM4040D10IDCKRG4</a>	Active	Production	SC70 (DCK)   5	3000   LARGE T&R	Yes	NIPDAU	Level-1-260C-UNLIM	-40 to 85	PLU
LM4040D10IDCKRG4.A	Active	Production	SC70 (DCK)   5	3000   LARGE T&R	Yes	NIPDAU	Level-1-260C-UNLIM	-40 to 85	PLU
<a href="#">LM4040D10ILP</a>	Obsolete	Production	TO-92 (LP)   3	-	-	Call TI	Call TI	-40 to 85	NFD10I
<a href="#">LM4040D20IDBZR</a>	Active	Production	SOT-23 (DBZ)   3	3000   LARGE T&R	Yes	NIPDAU	Level-1-260C-UNLIM	-40 to 85	(4MV3, 4MVU)
LM4040D20IDBZR.A	Active	Production	SOT-23 (DBZ)   3	3000   LARGE T&R	Yes	NIPDAU	Level-1-260C-UNLIM	-40 to 85	(4MV3, 4MVU)
LM4040D20IDBZR1G4	Active	Production	SOT-23 (DBZ)   3	3000   LARGE T&R	Yes	NIPDAU	Level-1-260C-UNLIM	-40 to 125	4MV3
LM4040D20IDBZR1G4.A	Active	Production	SOT-23 (DBZ)   3	3000   LARGE T&R	Yes	NIPDAU	Level-1-260C-UNLIM	-40 to 125	4MV3
<a href="#">LM4040D20IDBZT</a>	Active	Production	SOT-23 (DBZ)   3	250   SMALL T&R	Yes	NIPDAU	Level-1-260C-UNLIM	-40 to 85	(4MV3, 4MVU)
LM4040D20IDBZT.A	Active	Production	SOT-23 (DBZ)   3	250   SMALL T&R	Yes	NIPDAU	Level-1-260C-UNLIM	-40 to 85	(4MV3, 4MVU)
<a href="#">LM4040D20IDCKR</a>	Active	Production	SC70 (DCK)   5	3000   LARGE T&R	Yes	NIPDAU   SN	Level-1-260C-UNLIM	-40 to 85	MWU

Orderable part number	Status (1)	Material type (2)	Package   Pins	Package qty   Carrier	RoHS (3)	Lead finish/ Ball material (4)	MSL rating/ Peak reflow (5)	Op temp (°C)	Part marking (6)
LM4040D20IDCKR.A	Active	Production	SC70 (DCK)   5	3000   LARGE T&R	Yes	SN	Level-1-260C-UNLIM	-40 to 85	MWU
<a href="#">LM4040D20ILPR</a>	Active	Production	TO-92 (LP)   3	2000   LARGE T&R	Yes	SN	N/A for Pkg Type	-40 to 85	NFD20I
LM4040D20ILPR.A	Active	Production	TO-92 (LP)   3	2000   LARGE T&R	Yes	SN	N/A for Pkg Type	-40 to 85	NFD20I
LM4040D20ILPRE3	Active	Production	TO-92 (LP)   3	2000   LARGE T&R	-	Call TI	Call TI	-40 to 85	
<a href="#">LM4040D20QDBZR</a>	Active	Production	SOT-23 (DBZ)   3	3000   LARGE T&R	Yes	NIPDAU	Level-1-260C-UNLIM	-40 to 125	(4MY3, 4MYU)
LM4040D20QDBZR.A	Active	Production	SOT-23 (DBZ)   3	3000   LARGE T&R	Yes	NIPDAU	Level-1-260C-UNLIM	-40 to 125	(4MY3, 4MYU)
<a href="#">LM4040D20QDBZT</a>	Active	Production	SOT-23 (DBZ)   3	250   SMALL T&R	Yes	NIPDAU	Level-1-260C-UNLIM	-40 to 125	(4MY3, 4MYU)
LM4040D20QDBZT.A	Active	Production	SOT-23 (DBZ)   3	250   SMALL T&R	Yes	NIPDAU	Level-1-260C-UNLIM	-40 to 125	(4MY3, 4MYU)
<a href="#">LM4040D25IDBZR</a>	Active	Production	SOT-23 (DBZ)   3	3000   LARGE T&R	Yes	NIPDAU	Level-1-260C-UNLIM	-40 to 85	(4ME3, 4MEU)
LM4040D25IDBZR.A	Active	Production	SOT-23 (DBZ)   3	3000   LARGE T&R	Yes	NIPDAU	Level-1-260C-UNLIM	-40 to 85	(4ME3, 4MEU)
<a href="#">LM4040D25IDBZT</a>	Active	Production	SOT-23 (DBZ)   3	250   SMALL T&R	Yes	NIPDAU	Level-1-260C-UNLIM	-40 to 85	(4ME3, 4MEU)
LM4040D25IDBZT.A	Active	Production	SOT-23 (DBZ)   3	250   SMALL T&R	Yes	NIPDAU	Level-1-260C-UNLIM	-40 to 85	(4ME3, 4MEU)
<a href="#">LM4040D25IDCKR</a>	Active	Production	SC70 (DCK)   5	3000   LARGE T&R	Yes	NIPDAU   SN	Level-1-260C-UNLIM	-40 to 85	MEU
LM4040D25IDCKR.A	Active	Production	SC70 (DCK)   5	3000   LARGE T&R	Yes	SN	Level-1-260C-UNLIM	-40 to 85	MEU
<a href="#">LM4040D25IDCKT</a>	Active	Production	SC70 (DCK)   5	250   SMALL T&R	Yes	NIPDAU   SN	Level-1-260C-UNLIM	-40 to 85	MEU
LM4040D25IDCKT.A	Active	Production	SC70 (DCK)   5	250   SMALL T&R	Yes	SN	Level-1-260C-UNLIM	-40 to 85	MEU
<a href="#">LM4040D25ILP</a>	Active	Production	TO-92 (LP)   3	1000   BULK	Yes	SN	N/A for Pkg Type	-40 to 85	NFD25I
LM4040D25ILP.A	Active	Production	TO-92 (LP)   3	1000   BULK	Yes	SN	N/A for Pkg Type	-40 to 85	NFD25I
<a href="#">LM4040D25ILPR</a>	Active	Production	TO-92 (LP)   3	2000   LARGE T&R	Yes	SN	N/A for Pkg Type	-40 to 85	NFD25I
LM4040D25ILPR.A	Active	Production	TO-92 (LP)   3	2000   LARGE T&R	Yes	SN	N/A for Pkg Type	-40 to 85	NFD25I
<a href="#">LM4040D25QDBZR</a>	Active	Production	SOT-23 (DBZ)   3	3000   LARGE T&R	Yes	NIPDAU	Level-1-260C-UNLIM	-40 to 125	(4MB3, 4MBU)
LM4040D25QDBZR.A	Active	Production	SOT-23 (DBZ)   3	3000   LARGE T&R	Yes	NIPDAU	Level-1-260C-UNLIM	-40 to 125	(4MB3, 4MBU)
<a href="#">LM4040D25QDBZT</a>	Active	Production	SOT-23 (DBZ)   3	250   SMALL T&R	Yes	NIPDAU	Level-1-260C-UNLIM	-40 to 125	(4MB3, 4MBU)
LM4040D25QDBZT.A	Active	Production	SOT-23 (DBZ)   3	250   SMALL T&R	Yes	NIPDAU	Level-1-260C-UNLIM	-40 to 125	(4MB3, 4MBU)
LM4040D25QDBZT1G4	Active	Production	SOT-23 (DBZ)   3	250   SMALL T&R	Yes	NIPDAU	Level-1-260C-UNLIM	-40 to 125	4MB3
LM4040D25QDBZT1G4.A	Active	Production	SOT-23 (DBZ)   3	250   SMALL T&R	Yes	NIPDAU	Level-1-260C-UNLIM	-40 to 125	4MB3
<a href="#">LM4040D30IDBZR</a>	Active	Production	SOT-23 (DBZ)   3	3000   LARGE T&R	Yes	NIPDAU	Level-1-260C-UNLIM	-40 to 85	(4M93, 4M9U)
LM4040D30IDBZR.A	Active	Production	SOT-23 (DBZ)   3	3000   LARGE T&R	Yes	NIPDAU	Level-1-260C-UNLIM	-40 to 85	(4M93, 4M9U)
LM4040D30IDBZR1G4	Active	Production	SOT-23 (DBZ)   3	3000   LARGE T&R	Yes	NIPDAU	Level-1-260C-UNLIM	-40 to 125	4M93
LM4040D30IDBZR1G4.A	Active	Production	SOT-23 (DBZ)   3	3000   LARGE T&R	Yes	NIPDAU	Level-1-260C-UNLIM	-40 to 125	4M93
<a href="#">LM4040D30IDBZT</a>	Active	Production	SOT-23 (DBZ)   3	250   SMALL T&R	Yes	NIPDAU	Level-1-260C-UNLIM	-40 to 85	(4M93, 4M9U)

Orderable part number	Status (1)	Material type (2)	Package   Pins	Package qty   Carrier	RoHS (3)	Lead finish/ Ball material (4)	MSL rating/ Peak reflow (5)	Op temp (°C)	Part marking (6)
LM4040D30IDBZT.A	Active	Production	SOT-23 (DBZ)   3	250   SMALL T&R	Yes	NIPDAU	Level-1-260C-UNLIM	-40 to 85	(4M93, 4M9U)
<a href="#">LM4040D30IDCKR</a>	Active	Production	SC70 (DCK)   5	3000   LARGE T&R	Yes	NIPDAU   SN	Level-1-260C-UNLIM	-40 to 85	PCU
LM4040D30IDCKR.A	Active	Production	SC70 (DCK)   5	3000   LARGE T&R	Yes	SN	Level-1-260C-UNLIM	-40 to 85	PCU
<a href="#">LM4040D30IDCKRG4</a>	Active	Production	SC70 (DCK)   5	3000   LARGE T&R	Yes	NIPDAU	Level-1-260C-UNLIM	-40 to 85	PCU
LM4040D30IDCKRG4.A	Active	Production	SC70 (DCK)   5	3000   LARGE T&R	Yes	NIPDAU	Level-1-260C-UNLIM	-40 to 85	PCU
<a href="#">LM4040D30ILP</a>	Active	Production	TO-92 (LP)   3	1000   BULK	Yes	SN	N/A for Pkg Type	-40 to 85	NFD30I
LM4040D30ILP.A	Active	Production	TO-92 (LP)   3	1000   BULK	Yes	SN	N/A for Pkg Type	-40 to 85	NFD30I
<a href="#">LM4040D30ILPR</a>	Active	Production	TO-92 (LP)   3	2000   LARGE T&R	Yes	SN	N/A for Pkg Type	-40 to 85	NFD30I
LM4040D30ILPR.A	Active	Production	TO-92 (LP)   3	2000   LARGE T&R	Yes	SN	N/A for Pkg Type	-40 to 85	NFD30I
LM4040D30ILPRE3	Active	Production	TO-92 (LP)   3	2000   LARGE T&R	-	Call TI	Call TI	-40 to 85	
<a href="#">LM4040D30QDBZR</a>	Active	Production	SOT-23 (DBZ)   3	3000   LARGE T&R	Yes	NIPDAU	Level-1-260C-UNLIM	-40 to 125	(4NK3, 4NKU)
LM4040D30QDBZR.A	Active	Production	SOT-23 (DBZ)   3	3000   LARGE T&R	Yes	NIPDAU	Level-1-260C-UNLIM	-40 to 125	(4NK3, 4NKU)
<a href="#">LM4040D41IDBZR</a>	Active	Production	SOT-23 (DBZ)   3	3000   LARGE T&R	Yes	NIPDAU	Level-1-260C-UNLIM	-40 to 85	(4M53, 4M5U)
LM4040D41IDBZR.A	Active	Production	SOT-23 (DBZ)   3	3000   LARGE T&R	Yes	NIPDAU	Level-1-260C-UNLIM	-40 to 85	(4M53, 4M5U)
<a href="#">LM4040D41IDBZT</a>	Active	Production	SOT-23 (DBZ)   3	250   SMALL T&R	Yes	NIPDAU	Level-1-260C-UNLIM	-40 to 85	(4M53, 4M5U)
LM4040D41IDBZT.A	Active	Production	SOT-23 (DBZ)   3	250   SMALL T&R	Yes	NIPDAU	Level-1-260C-UNLIM	-40 to 85	(4M53, 4M5U)
<a href="#">LM4040D41IDCKR</a>	Active	Production	SC70 (DCK)   5	3000   LARGE T&R	Yes	NIPDAU   SN	Level-1-260C-UNLIM	-40 to 85	P7U
LM4040D41IDCKR.A	Active	Production	SC70 (DCK)   5	3000   LARGE T&R	Yes	SN	Level-1-260C-UNLIM	-40 to 85	P7U
<a href="#">LM4040D41ILP</a>	Active	Production	TO-92 (LP)   3	1000   BULK	Yes	SN	N/A for Pkg Type	-40 to 85	NFD41I
LM4040D41ILP.A	Active	Production	TO-92 (LP)   3	1000   BULK	Yes	SN	N/A for Pkg Type	-40 to 85	NFD41I
LM4040D41ILPE3	Active	Production	TO-92 (LP)   3	1000   BULK	-	Call TI	Call TI	-40 to 85	
<a href="#">LM4040D41ILPR</a>	Active	Production	TO-92 (LP)   3	2000   LARGE T&R	Yes	SN	N/A for Pkg Type	-40 to 85	NFD41I
LM4040D41ILPR.A	Active	Production	TO-92 (LP)   3	2000   LARGE T&R	Yes	SN	N/A for Pkg Type	-40 to 85	NFD41I
<a href="#">LM4040D50IDBZR</a>	Active	Production	SOT-23 (DBZ)   3	3000   LARGE T&R	Yes	NIPDAU	Level-1-260C-UNLIM	-40 to 85	(4ND3, 4NDU)
LM4040D50IDBZR.A	Active	Production	SOT-23 (DBZ)   3	3000   LARGE T&R	Yes	NIPDAU	Level-1-260C-UNLIM	-40 to 85	(4ND3, 4NDU)
LM4040D50IDBZR1G4	Active	Production	SOT-23 (DBZ)   3	3000   LARGE T&R	Yes	NIPDAU	Level-1-260C-UNLIM	-40 to 125	4ND3
LM4040D50IDBZR1G4.A	Active	Production	SOT-23 (DBZ)   3	3000   LARGE T&R	Yes	NIPDAU	Level-1-260C-UNLIM	-40 to 125	4ND3
<a href="#">LM4040D50IDBZT</a>	Active	Production	SOT-23 (DBZ)   3	250   SMALL T&R	Yes	NIPDAU	Level-1-260C-UNLIM	-40 to 85	(4ND3, 4NDU)
LM4040D50IDBZT.A	Active	Production	SOT-23 (DBZ)   3	250   SMALL T&R	Yes	NIPDAU	Level-1-260C-UNLIM	-40 to 85	(4ND3, 4NDU)
<a href="#">LM4040D50IDCKR</a>	Active	Production	SC70 (DCK)   5	3000   LARGE T&R	Yes	NIPDAU   SN	Level-1-260C-UNLIM	-40 to 85	M4U
LM4040D50IDCKR.A	Active	Production	SC70 (DCK)   5	3000   LARGE T&R	Yes	SN	Level-1-260C-UNLIM	-40 to 85	M4U

Orderable part number	Status (1)	Material type (2)	Package   Pins	Package qty   Carrier	RoHS (3)	Lead finish/ Ball material (4)	MSL rating/ Peak reflow (5)	Op temp (°C)	Part marking (6)
<a href="#">LM4040D50ILP</a>	Active	Production	TO-92 (LP)   3	1000   BULK	Yes	SN	N/A for Pkg Type	-40 to 85	NFD50I
LM4040D50ILP.A	Active	Production	TO-92 (LP)   3	1000   BULK	Yes	SN	N/A for Pkg Type	-40 to 85	NFD50I
<a href="#">LM4040D50ILPR</a>	Active	Production	TO-92 (LP)   3	2000   LARGE T&R	Yes	SN	N/A for Pkg Type	-40 to 85	NFD50I
LM4040D50ILPR.A	Active	Production	TO-92 (LP)   3	2000   LARGE T&R	Yes	SN	N/A for Pkg Type	-40 to 85	NFD50I
LM4040D50ILPRE3	Active	Production	TO-92 (LP)   3	2000   LARGE T&R	-	Call TI	Call TI	-40 to 85	
<a href="#">LM4040D50QDBZR</a>	Active	Production	SOT-23 (DBZ)   3	3000   LARGE T&R	Yes	NIPDAU	Level-1-260C-UNLIM	-40 to 125	(4NF3, 4NFU)
LM4040D50QDBZR.A	Active	Production	SOT-23 (DBZ)   3	3000   LARGE T&R	Yes	NIPDAU	Level-1-260C-UNLIM	-40 to 125	(4NF3, 4NFU)
<a href="#">LM4040D50QDBZT</a>	Active	Production	SOT-23 (DBZ)   3	250   SMALL T&R	Yes	NIPDAU	Level-1-260C-UNLIM	-40 to 125	(4NF3, 4NFU)
LM4040D50QDBZT.A	Active	Production	SOT-23 (DBZ)   3	250   SMALL T&R	Yes	NIPDAU	Level-1-260C-UNLIM	-40 to 125	(4NF3, 4NFU)
<a href="#">LM4040D82IDBZR</a>	Active	Production	SOT-23 (DBZ)   3	3000   LARGE T&R	Yes	NIPDAU	Level-1-260C-UNLIM	-40 to 85	(4NP3, 4NPU)
LM4040D82IDBZR.A	Active	Production	SOT-23 (DBZ)   3	3000   LARGE T&R	Yes	NIPDAU	Level-1-260C-UNLIM	-40 to 85	(4NP3, 4NPU)
<a href="#">LM4040D82IDBZT</a>	Active	Production	SOT-23 (DBZ)   3	250   SMALL T&R	Yes	NIPDAU	Level-1-260C-UNLIM	-40 to 85	(4NP3, 4NPU)
LM4040D82IDBZT.A	Active	Production	SOT-23 (DBZ)   3	250   SMALL T&R	Yes	NIPDAU	Level-1-260C-UNLIM	-40 to 85	(4NP3, 4NPU)
<a href="#">LM4040D82IDCKR</a>	Active	Production	SC70 (DCK)   5	3000   LARGE T&R	Yes	NIPDAU   SN	Level-1-260C-UNLIM	-40 to 85	PGU
LM4040D82IDCKR.A	Active	Production	SC70 (DCK)   5	3000   LARGE T&R	Yes	SN	Level-1-260C-UNLIM	-40 to 85	PGU
<a href="#">LM4040D82ILP</a>	Obsolete	Production	TO-92 (LP)   3	-	-	Call TI	Call TI	-40 to 85	NFD82I
<a href="#">LM4040D82ILPR</a>	Active	Production	TO-92 (LP)   3	2000   LARGE T&R	Yes	SN	N/A for Pkg Type	-40 to 85	NFD82I
LM4040D82ILPR.A	Active	Production	TO-92 (LP)   3	2000   LARGE T&R	Yes	SN	N/A for Pkg Type	-40 to 85	NFD82I

(1) **Status:** For more details on status, see our [product life cycle](#).

(2) **Material type:** When designated, preproduction parts are prototypes/experimental devices, and are not yet approved or released for full production. Testing and final process, including without limitation quality assurance, reliability performance testing, and/or process qualification, may not yet be complete, and this item is subject to further changes or possible discontinuation. If available for ordering, purchases will be subject to an additional waiver at checkout, and are intended for early internal evaluation purposes only. These items are sold without warranties of any kind.

(3) **RoHS values:** Yes, No, RoHS Exempt. See the [TI RoHS Statement](#) for additional information and value definition.

(4) **Lead finish/Ball material:** Parts may have multiple material finish options. Finish options are separated by a vertical ruled line. Lead finish/Ball material values may wrap to two lines if the finish value exceeds the maximum column width.

(5) **MSL rating/Peak reflow:** The moisture sensitivity level ratings and peak solder (reflow) temperatures. In the event that a part has multiple moisture sensitivity ratings, only the lowest level per JEDEC standards is shown. Refer to the shipping label for the actual reflow temperature that will be used to mount the part to the printed circuit board.

**(6) Part marking:** There may be an additional marking, which relates to the logo, the lot trace code information, or the environmental category of the part.

Multiple part markings will be inside parentheses. Only one part marking contained in parentheses and separated by a "~" will appear on a part. If a line is indented then it is a continuation of the previous line and the two combined represent the entire part marking for that device.

**Important Information and Disclaimer:** The information provided on this page represents TI's knowledge and belief as of the date that it is provided. TI bases its knowledge and belief on information provided by third parties, and makes no representation or warranty as to the accuracy of such information. Efforts are underway to better integrate information from third parties. TI has taken and continues to take reasonable steps to provide representative and accurate information but may not have conducted destructive testing or chemical analysis on incoming materials and chemicals. TI and TI suppliers consider certain information to be proprietary, and thus CAS numbers and other limited information may not be available for release.

In no event shall TI's liability arising out of such information exceed the total purchase price of the TI part(s) at issue in this document sold by TI to Customer on an annual basis.

**TAPE AND REEL INFORMATION**

**QUADRANT ASSIGNMENTS FOR PIN 1 ORIENTATION IN TAPE**


\*All dimensions are nominal

Device	Package Type	Package Drawing	Pins	SPQ	Reel Diameter (mm)	Reel Width W1 (mm)	A0 (mm)	B0 (mm)	K0 (mm)	P1 (mm)	W (mm)	Pin1 Quadrant
LM4040A10IDBZR	SOT-23	DBZ	3	3000	179.0	8.4	3.15	2.95	1.22	4.0	8.0	Q3
LM4040A10IDBZR	SOT-23	DBZ	3	3000	178.0	9.2	3.15	2.77	1.22	4.0	8.0	Q3
LM4040A10IDBZR1G4	SOT-23	DBZ	3	3000	178.0	9.2	3.15	2.77	1.22	4.0	8.0	Q3
LM4040A10IDBZR1G4	SOT-23	DBZ	3	3000	179.0	8.4	3.15	2.95	1.22	4.0	8.0	Q3
LM4040A10IDBZT	SOT-23	DBZ	3	250	178.0	9.2	3.15	2.77	1.22	4.0	8.0	Q3
LM4040A10IDBZT	SOT-23	DBZ	3	250	179.0	8.4	3.15	2.95	1.22	4.0	8.0	Q3
LM4040A10IDCKR	SC70	DCK	5	3000	179.0	8.4	2.2	2.5	1.2	4.0	8.0	Q3
LM4040A20IDBZR	SOT-23	DBZ	3	3000	180.0	8.4	2.9	3.35	1.35	4.0	8.0	Q3
LM4040A20IDBZT	SOT-23	DBZ	3	250	180.0	8.4	2.9	3.35	1.35	4.0	8.0	Q3
LM4040A20IDCKR	SC70	DCK	5	3000	180.0	8.4	2.3	2.5	1.2	4.0	8.0	Q3
LM4040A25IDBZR	SOT-23	DBZ	3	3000	180.0	8.4	2.9	3.35	1.35	4.0	8.0	Q3
LM4040A25IDBZR1G4	SOT-23	DBZ	3	3000	180.0	8.4	2.9	3.35	1.35	4.0	8.0	Q3
LM4040A25IDBZT	SOT-23	DBZ	3	250	180.0	8.4	2.9	3.35	1.35	4.0	8.0	Q3
LM4040A25IDCKR	SC70	DCK	5	3000	180.0	8.4	2.3	2.5	1.2	4.0	8.0	Q3
LM4040A30IDBZR	SOT-23	DBZ	3	3000	180.0	8.4	2.9	3.35	1.35	4.0	8.0	Q3
LM4040A30IDBZR1G4	SOT-23	DBZ	3	3000	180.0	8.4	2.9	3.35	1.35	4.0	8.0	Q3

Device	Package Type	Package Drawing	Pins	SPQ	Reel Diameter (mm)	Reel Width W1 (mm)	A0 (mm)	B0 (mm)	K0 (mm)	P1 (mm)	W (mm)	Pin1 Quadrant
LM4040A30IDCKR	SC70	DCK	5	3000	180.0	8.4	2.3	2.5	1.2	4.0	8.0	Q3
LM4040A41IDBZR	SOT-23	DBZ	3	3000	180.0	8.4	2.9	3.35	1.35	4.0	8.0	Q3
LM4040A41IDBZT	SOT-23	DBZ	3	250	180.0	8.4	2.9	3.35	1.35	4.0	8.0	Q3
LM4040A41IDBZT1G4	SOT-23	DBZ	3	250	180.0	8.4	2.9	3.35	1.35	4.0	8.0	Q3
LM4040A41IDCKR	SC70	DCK	5	3000	180.0	8.4	2.3	2.5	1.2	4.0	8.0	Q3
LM4040A50IDBZR	SOT-23	DBZ	3	3000	180.0	8.4	2.9	3.35	1.35	4.0	8.0	Q3
LM4040A50IDBZT	SOT-23	DBZ	3	250	180.0	8.4	2.9	3.35	1.35	4.0	8.0	Q3
LM4040A50IDBZT1G4	SOT-23	DBZ	3	250	180.0	8.4	2.9	3.35	1.35	4.0	8.0	Q3
LM4040A50IDCKR	SC70	DCK	5	3000	180.0	8.4	2.3	2.5	1.2	4.0	8.0	Q3
LM4040A50IDCKR	SC70	DCK	5	3000	179.0	8.4	2.2	2.5	1.2	4.0	8.0	Q3
LM4040A82IDBZR	SOT-23	DBZ	3	3000	178.0	9.2	3.15	2.77	1.22	4.0	8.0	Q3
LM4040A82IDBZT	SOT-23	DBZ	3	250	178.0	9.2	3.15	2.77	1.22	4.0	8.0	Q3
LM4040A82IDBZT	SOT-23	DBZ	3	250	179.0	8.4	3.15	2.95	1.22	4.0	8.0	Q3
LM4040A82IDCKR	SC70	DCK	5	3000	179.0	8.4	2.2	2.5	1.2	4.0	8.0	Q3
LM4040B10IDBZR	SOT-23	DBZ	3	3000	178.0	9.2	3.15	2.77	1.22	4.0	8.0	Q3
LM4040B10IDBZR	SOT-23	DBZ	3	3000	179.0	8.4	3.15	2.95	1.22	4.0	8.0	Q3
LM4040B10IDBZT	SOT-23	DBZ	3	250	178.0	9.2	3.15	2.77	1.22	4.0	8.0	Q3
LM4040B10IDCKR	SC70	DCK	5	3000	179.0	8.4	2.2	2.5	1.2	4.0	8.0	Q3
LM4040B20IDBZR	SOT-23	DBZ	3	3000	180.0	8.4	2.9	3.35	1.35	4.0	8.0	Q3
LM4040B20IDBZT	SOT-23	DBZ	3	250	180.0	8.4	2.9	3.35	1.35	4.0	8.0	Q3
LM4040B20IDCKR	SC70	DCK	5	3000	180.0	8.4	2.3	2.5	1.2	4.0	8.0	Q3
LM4040B25IDBZR	SOT-23	DBZ	3	3000	180.0	8.4	2.9	3.35	1.35	4.0	8.0	Q3
LM4040B25IDBZR1G4	SOT-23	DBZ	3	3000	180.0	8.4	2.9	3.35	1.35	4.0	8.0	Q3
LM4040B25IDBZT	SOT-23	DBZ	3	250	180.0	8.4	2.9	3.35	1.35	4.0	8.0	Q3
LM4040B25IDCKR	SC70	DCK	5	3000	180.0	8.4	2.3	2.5	1.2	4.0	8.0	Q3
LM4040B30IDBZR	SOT-23	DBZ	3	3000	180.0	8.4	2.9	3.35	1.35	4.0	8.0	Q3
LM4040B30IDBZT	SOT-23	DBZ	3	250	180.0	8.4	2.9	3.35	1.35	4.0	8.0	Q3
LM4040B30IDCKR	SC70	DCK	5	3000	180.0	8.4	2.3	2.5	1.2	4.0	8.0	Q3
LM4040B30IDCKRG4	SC70	DCK	5	3000	179.0	8.4	2.2	2.5	1.2	4.0	8.0	Q3
LM4040B41IDBZR	SOT-23	DBZ	3	3000	180.0	8.4	2.9	3.35	1.35	4.0	8.0	Q3
LM4040B41IDBZT	SOT-23	DBZ	3	250	180.0	8.4	2.9	3.35	1.35	4.0	8.0	Q3
LM4040B41IDCKR	SC70	DCK	5	3000	180.0	8.4	2.3	2.5	1.2	4.0	8.0	Q3
LM4040B50IDBZR	SOT-23	DBZ	3	3000	180.0	8.4	2.9	3.35	1.35	4.0	8.0	Q3
LM4040B50IDBZT	SOT-23	DBZ	3	250	180.0	8.4	2.9	3.35	1.35	4.0	8.0	Q3
LM4040B50IDBZT1G4	SOT-23	DBZ	3	250	180.0	8.4	2.9	3.35	1.35	4.0	8.0	Q3
LM4040B50IDCKR	SC70	DCK	5	3000	180.0	8.4	2.3	2.5	1.2	4.0	8.0	Q3
LM4040B82IDBZR	SOT-23	DBZ	3	3000	178.0	9.2	3.15	2.77	1.22	4.0	8.0	Q3
LM4040C10IDBZR	SOT-23	DBZ	3	3000	179.0	8.4	3.15	2.95	1.22	4.0	8.0	Q3
LM4040C10IDBZR	SOT-23	DBZ	3	3000	178.0	9.2	3.15	2.77	1.22	4.0	8.0	Q3
LM4040C10IDBZT	SOT-23	DBZ	3	250	178.0	9.2	3.15	2.77	1.22	4.0	8.0	Q3
LM4040C10IDCKR	SC70	DCK	5	3000	179.0	8.4	2.2	2.5	1.2	4.0	8.0	Q3

Device	Package Type	Package Drawing	Pins	SPQ	Reel Diameter (mm)	Reel Width W1 (mm)	A0 (mm)	B0 (mm)	K0 (mm)	P1 (mm)	W (mm)	Pin1 Quadrant
LM4040C20IDBZR	SOT-23	DBZ	3	3000	180.0	8.4	2.9	3.35	1.35	4.0	8.0	Q3
LM4040C20IDBZR1G4	SOT-23	DBZ	3	3000	180.0	8.4	2.9	3.35	1.35	4.0	8.0	Q3
LM4040C20IDBZT	SOT-23	DBZ	3	250	180.0	8.4	2.9	3.35	1.35	4.0	8.0	Q3
LM4040C20IDCKR	SC70	DCK	5	3000	180.0	8.4	2.3	2.5	1.2	4.0	8.0	Q3
LM4040C20QDBZR	SOT-23	DBZ	3	3000	180.0	8.4	2.9	3.35	1.35	4.0	8.0	Q3
LM4040C20QDBZT	SOT-23	DBZ	3	250	180.0	8.4	2.9	3.35	1.35	4.0	8.0	Q3
LM4040C20QDBZT1G4	SOT-23	DBZ	3	250	180.0	8.4	2.9	3.35	1.35	4.0	8.0	Q3
LM4040C25IDBZR	SOT-23	DBZ	3	3000	179.0	8.4	3.15	2.95	1.22	4.0	8.0	Q3
LM4040C25IDBZR	SOT-23	DBZ	3	3000	180.0	8.4	2.9	3.35	1.35	4.0	8.0	Q3
LM4040C25IDBZR1G4	SOT-23	DBZ	3	3000	180.0	8.4	2.9	3.35	1.35	4.0	8.0	Q3
LM4040C25IDBZT	SOT-23	DBZ	3	250	180.0	8.4	2.9	3.35	1.35	4.0	8.0	Q3
LM4040C25IDCKR	SC70	DCK	5	3000	180.0	8.4	2.3	2.5	1.2	4.0	8.0	Q3
LM4040C25IDCKR	SC70	DCK	5	3000	179.0	8.4	2.2	2.5	1.2	4.0	8.0	Q3
LM4040C25IDCKT	SC70	DCK	5	250	180.0	8.4	2.3	2.5	1.2	4.0	8.0	Q3
LM4040C25QDBZR	SOT-23	DBZ	3	3000	180.0	8.4	2.9	3.35	1.35	4.0	8.0	Q3
LM4040C25QDBZR1G4	SOT-23	DBZ	3	3000	180.0	8.4	2.9	3.35	1.35	4.0	8.0	Q3
LM4040C25QDBZT	SOT-23	DBZ	3	250	180.0	8.4	2.9	3.35	1.35	4.0	8.0	Q3
LM4040C30IDBZR	SOT-23	DBZ	3	3000	179.0	8.4	3.15	2.95	1.22	4.0	8.0	Q3
LM4040C30IDBZR	SOT-23	DBZ	3	3000	180.0	8.4	2.9	3.35	1.35	4.0	8.0	Q3
LM4040C30IDBZR1G4	SOT-23	DBZ	3	3000	180.0	8.4	2.9	3.35	1.35	4.0	8.0	Q3
LM4040C30IDBZT	SOT-23	DBZ	3	250	180.0	8.4	2.9	3.35	1.35	4.0	8.0	Q3
LM4040C30IDCKR	SC70	DCK	5	3000	180.0	8.4	2.3	2.5	1.2	4.0	8.0	Q3
LM4040C30QDBZR	SOT-23	DBZ	3	3000	180.0	8.4	2.9	3.35	1.35	4.0	8.0	Q3
LM4040C30QDBZR	SOT-23	DBZ	3	3000	179.0	8.4	3.15	2.95	1.22	4.0	8.0	Q3
LM4040C30QDBZT	SOT-23	DBZ	3	250	180.0	8.4	2.9	3.35	1.35	4.0	8.0	Q3
LM4040C41IDBZR	SOT-23	DBZ	3	3000	180.0	8.4	2.9	3.35	1.35	4.0	8.0	Q3
LM4040C41IDBZR1G4	SOT-23	DBZ	3	3000	180.0	8.4	2.9	3.35	1.35	4.0	8.0	Q3
LM4040C41IDBZT	SOT-23	DBZ	3	250	180.0	8.4	2.9	3.35	1.35	4.0	8.0	Q3
LM4040C41IDCKR	SC70	DCK	5	3000	180.0	8.4	2.3	2.5	1.2	4.0	8.0	Q3
LM4040C50IDBZR	SOT-23	DBZ	3	3000	180.0	8.4	2.9	3.35	1.35	4.0	8.0	Q3
LM4040C50IDBZR	SOT-23	DBZ	3	3000	179.0	8.4	3.15	2.95	1.22	4.0	8.0	Q3
LM4040C50IDBZR1G4	SOT-23	DBZ	3	3000	180.0	8.4	2.9	3.35	1.35	4.0	8.0	Q3
LM4040C50IDBZT	SOT-23	DBZ	3	250	180.0	8.4	2.9	3.35	1.35	4.0	8.0	Q3
LM4040C50IDCKR	SC70	DCK	5	3000	180.0	8.4	2.3	2.5	1.2	4.0	8.0	Q3
LM4040C50QDBZR	SOT-23	DBZ	3	3000	180.0	8.4	2.9	3.35	1.35	4.0	8.0	Q3
LM4040C50QDBZT	SOT-23	DBZ	3	250	180.0	8.4	2.9	3.35	1.35	4.0	8.0	Q3
LM4040C50QDBZT1G4	SOT-23	DBZ	3	250	180.0	8.4	2.9	3.35	1.35	4.0	8.0	Q3
LM4040C82IDBZR	SOT-23	DBZ	3	3000	178.0	9.2	3.15	2.77	1.22	4.0	8.0	Q3
LM4040C82IDBZR	SOT-23	DBZ	3	3000	179.0	8.4	3.15	2.95	1.22	4.0	8.0	Q3
LM4040C82IDCKR	SC70	DCK	5	3000	179.0	8.4	2.2	2.5	1.2	4.0	8.0	Q3
LM4040C82IDCKRG4	SC70	DCK	5	3000	179.0	8.4	2.2	2.5	1.2	4.0	8.0	Q3

Device	Package Type	Package Drawing	Pins	SPQ	Reel Diameter (mm)	Reel Width W1 (mm)	A0 (mm)	B0 (mm)	K0 (mm)	P1 (mm)	W (mm)	Pin1 Quadrant
LM4040D10IDBZR	SOT-23	DBZ	3	3000	179.0	8.4	3.15	2.95	1.22	4.0	8.0	Q3
LM4040D10IDBZR	SOT-23	DBZ	3	3000	178.0	9.2	3.15	2.77	1.22	4.0	8.0	Q3
LM4040D10IDBZT	SOT-23	DBZ	3	250	178.0	9.2	3.15	2.77	1.22	4.0	8.0	Q3
LM4040D10IDCKR	SC70	DCK	5	3000	179.0	8.4	2.2	2.5	1.2	4.0	8.0	Q3
LM4040D10IDCKRG4	SC70	DCK	5	3000	179.0	8.4	2.2	2.5	1.2	4.0	8.0	Q3
LM4040D20IDBZR	SOT-23	DBZ	3	3000	180.0	8.4	2.9	3.35	1.35	4.0	8.0	Q3
LM4040D20IDBZR1G4	SOT-23	DBZ	3	3000	180.0	8.4	2.9	3.35	1.35	4.0	8.0	Q3
LM4040D20IDBZT	SOT-23	DBZ	3	250	180.0	8.4	2.9	3.35	1.35	4.0	8.0	Q3
LM4040D20IDCKR	SC70	DCK	5	3000	179.0	8.4	2.2	2.5	1.2	4.0	8.0	Q3
LM4040D20IDCKR	SC70	DCK	5	3000	180.0	8.4	2.3	2.5	1.2	4.0	8.0	Q3
LM4040D20QDBZR	SOT-23	DBZ	3	3000	180.0	8.4	2.9	3.35	1.35	4.0	8.0	Q3
LM4040D20QDBZT	SOT-23	DBZ	3	250	180.0	8.4	2.9	3.35	1.35	4.0	8.0	Q3
LM4040D25IDBZR	SOT-23	DBZ	3	3000	180.0	8.4	2.9	3.35	1.35	4.0	8.0	Q3
LM4040D25IDBZR	SOT-23	DBZ	3	3000	179.0	8.4	3.15	2.95	1.22	4.0	8.0	Q3
LM4040D25IDBZT	SOT-23	DBZ	3	250	180.0	8.4	2.9	3.35	1.35	4.0	8.0	Q3
LM4040D25IDCKR	SC70	DCK	5	3000	180.0	8.4	2.3	2.5	1.2	4.0	8.0	Q3
LM4040D25IDCKR	SC70	DCK	5	3000	179.0	8.4	2.2	2.5	1.2	4.0	8.0	Q3
LM4040D25IDCKT	SC70	DCK	5	250	179.0	8.4	2.2	2.5	1.2	4.0	8.0	Q3
LM4040D25IDCKT	SC70	DCK	5	250	180.0	8.4	2.3	2.5	1.2	4.0	8.0	Q3
LM4040D25QDBZR	SOT-23	DBZ	3	3000	180.0	8.4	2.9	3.35	1.35	4.0	8.0	Q3
LM4040D25QDBZT	SOT-23	DBZ	3	250	180.0	8.4	2.9	3.35	1.35	4.0	8.0	Q3
LM4040D25QDBZT1G4	SOT-23	DBZ	3	250	180.0	8.4	2.9	3.35	1.35	4.0	8.0	Q3
LM4040D30IDBZR	SOT-23	DBZ	3	3000	179.0	8.4	3.15	2.95	1.22	4.0	8.0	Q3
LM4040D30IDBZR	SOT-23	DBZ	3	3000	180.0	8.4	2.9	3.35	1.35	4.0	8.0	Q3
LM4040D30IDBZR1G4	SOT-23	DBZ	3	3000	180.0	8.4	2.9	3.35	1.35	4.0	8.0	Q3
LM4040D30IDBZT	SOT-23	DBZ	3	250	180.0	8.4	2.9	3.35	1.35	4.0	8.0	Q3
LM4040D30IDCKR	SC70	DCK	5	3000	180.0	8.4	2.3	2.5	1.2	4.0	8.0	Q3
LM4040D30IDCKRG4	SC70	DCK	5	3000	179.0	8.4	2.2	2.5	1.2	4.0	8.0	Q3
LM4040D30QDBZR	SOT-23	DBZ	3	3000	180.0	8.4	2.9	3.35	1.35	4.0	8.0	Q3
LM4040D41IDBZR	SOT-23	DBZ	3	3000	180.0	8.4	2.9	3.35	1.35	4.0	8.0	Q3
LM4040D41IDBZT	SOT-23	DBZ	3	250	180.0	8.4	2.9	3.35	1.35	4.0	8.0	Q3
LM4040D41IDCKR	SC70	DCK	5	3000	180.0	8.4	2.3	2.5	1.2	4.0	8.0	Q3
LM4040D50IDBZR	SOT-23	DBZ	3	3000	180.0	8.4	2.9	3.35	1.35	4.0	8.0	Q3
LM4040D50IDBZR1G4	SOT-23	DBZ	3	3000	180.0	8.4	2.9	3.35	1.35	4.0	8.0	Q3
LM4040D50IDBZT	SOT-23	DBZ	3	250	180.0	8.4	2.9	3.35	1.35	4.0	8.0	Q3
LM4040D50IDCKR	SC70	DCK	5	3000	180.0	8.4	2.3	2.5	1.2	4.0	8.0	Q3
LM4040D50QDBZR	SOT-23	DBZ	3	3000	180.0	8.4	2.9	3.35	1.35	4.0	8.0	Q3
LM4040D50QDBZT	SOT-23	DBZ	3	250	180.0	8.4	2.9	3.35	1.35	4.0	8.0	Q3
LM4040D82IDBZR	SOT-23	DBZ	3	3000	179.0	8.4	3.15	2.95	1.22	4.0	8.0	Q3
LM4040D82IDBZR	SOT-23	DBZ	3	3000	178.0	9.2	3.15	2.77	1.22	4.0	8.0	Q3
LM4040D82IDBZT	SOT-23	DBZ	3	250	179.0	8.4	3.15	2.95	1.22	4.0	8.0	Q3

Device	Package Type	Package Drawing	Pins	SPQ	Reel Diameter (mm)	Reel Width W1 (mm)	A0 (mm)	B0 (mm)	K0 (mm)	P1 (mm)	W (mm)	Pin1 Quadrant
LM4040D82IDBZT	SOT-23	DBZ	3	250	178.0	9.2	3.15	2.77	1.22	4.0	8.0	Q3
LM4040D82IDCKR	SC70	DCK	5	3000	179.0	8.4	2.2	2.5	1.2	4.0	8.0	Q3

**TAPE AND REEL BOX DIMENSIONS**


\*All dimensions are nominal

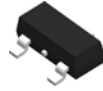
Device	Package Type	Package Drawing	Pins	SPQ	Length (mm)	Width (mm)	Height (mm)
LM4040A10IDBZR	SOT-23	DBZ	3	3000	200.0	183.0	25.0
LM4040A10IDBZR	SOT-23	DBZ	3	3000	180.0	180.0	18.0
LM4040A10IDBZR1G4	SOT-23	DBZ	3	3000	180.0	180.0	18.0
LM4040A10IDBZR1G4	SOT-23	DBZ	3	3000	200.0	183.0	25.0
LM4040A10IDBZT	SOT-23	DBZ	3	250	180.0	180.0	18.0
LM4040A10IDBZT	SOT-23	DBZ	3	250	203.0	203.0	35.0
LM4040A10IDCKR	SC70	DCK	5	3000	203.0	203.0	35.0
LM4040A20IDBZR	SOT-23	DBZ	3	3000	210.0	185.0	35.0
LM4040A20IDBZT	SOT-23	DBZ	3	250	210.0	185.0	35.0
LM4040A20IDCKR	SC70	DCK	5	3000	210.0	185.0	35.0
LM4040A25IDBZR	SOT-23	DBZ	3	3000	210.0	185.0	35.0
LM4040A25IDBZR1G4	SOT-23	DBZ	3	3000	210.0	185.0	35.0
LM4040A25IDBZT	SOT-23	DBZ	3	250	210.0	185.0	35.0
LM4040A25IDCKR	SC70	DCK	5	3000	210.0	185.0	35.0
LM4040A30IDBZR	SOT-23	DBZ	3	3000	210.0	185.0	35.0
LM4040A30IDBZR1G4	SOT-23	DBZ	3	3000	210.0	185.0	35.0
LM4040A30IDCKR	SC70	DCK	5	3000	210.0	185.0	35.0
LM4040A41IDBZR	SOT-23	DBZ	3	3000	210.0	185.0	35.0

Device	Package Type	Package Drawing	Pins	SPQ	Length (mm)	Width (mm)	Height (mm)
LM4040A41IDBZT	SOT-23	DBZ	3	250	210.0	185.0	35.0
LM4040A41IDBZT1G4	SOT-23	DBZ	3	250	210.0	185.0	35.0
LM4040A41IDCKR	SC70	DCK	5	3000	210.0	185.0	35.0
LM4040A50IDBZR	SOT-23	DBZ	3	3000	210.0	185.0	35.0
LM4040A50IDBZT	SOT-23	DBZ	3	250	210.0	185.0	35.0
LM4040A50IDBZT1G4	SOT-23	DBZ	3	250	210.0	185.0	35.0
LM4040A50IDCKR	SC70	DCK	5	3000	210.0	185.0	35.0
LM4040A50IDCKR	SC70	DCK	5	3000	200.0	183.0	25.0
LM4040A82IDBZR	SOT-23	DBZ	3	3000	180.0	180.0	18.0
LM4040A82IDBZT	SOT-23	DBZ	3	250	180.0	180.0	18.0
LM4040A82IDBZT	SOT-23	DBZ	3	250	200.0	183.0	25.0
LM4040A82IDCKR	SC70	DCK	5	3000	200.0	183.0	25.0
LM4040B10IDBZR	SOT-23	DBZ	3	3000	180.0	180.0	18.0
LM4040B10IDBZR	SOT-23	DBZ	3	3000	200.0	183.0	25.0
LM4040B10IDBZT	SOT-23	DBZ	3	250	180.0	180.0	18.0
LM4040B10IDCKR	SC70	DCK	5	3000	203.0	203.0	35.0
LM4040B20IDBZR	SOT-23	DBZ	3	3000	210.0	185.0	35.0
LM4040B20IDBZT	SOT-23	DBZ	3	250	210.0	185.0	35.0
LM4040B20IDCKR	SC70	DCK	5	3000	210.0	185.0	35.0
LM4040B25IDBZR	SOT-23	DBZ	3	3000	210.0	185.0	35.0
LM4040B25IDBZR1G4	SOT-23	DBZ	3	3000	210.0	185.0	35.0
LM4040B25IDBZT	SOT-23	DBZ	3	250	210.0	185.0	35.0
LM4040B25IDCKR	SC70	DCK	5	3000	210.0	185.0	35.0
LM4040B30IDBZR	SOT-23	DBZ	3	3000	210.0	185.0	35.0
LM4040B30IDBZT	SOT-23	DBZ	3	250	210.0	185.0	35.0
LM4040B30IDCKR	SC70	DCK	5	3000	210.0	185.0	35.0
LM4040B30IDCKRG4	SC70	DCK	5	3000	200.0	183.0	25.0
LM4040B41IDBZR	SOT-23	DBZ	3	3000	210.0	185.0	35.0
LM4040B41IDBZT	SOT-23	DBZ	3	250	210.0	185.0	35.0
LM4040B41IDCKR	SC70	DCK	5	3000	210.0	185.0	35.0
LM4040B50IDBZR	SOT-23	DBZ	3	3000	210.0	185.0	35.0
LM4040B50IDBZT	SOT-23	DBZ	3	250	210.0	185.0	35.0
LM4040B50IDBZT1G4	SOT-23	DBZ	3	250	210.0	185.0	35.0
LM4040B50IDCKR	SC70	DCK	5	3000	210.0	185.0	35.0
LM4040B82IDBZR	SOT-23	DBZ	3	3000	180.0	180.0	18.0
LM4040C10IDBZR	SOT-23	DBZ	3	3000	200.0	183.0	25.0
LM4040C10IDBZR	SOT-23	DBZ	3	3000	180.0	180.0	18.0
LM4040C10IDBZT	SOT-23	DBZ	3	250	180.0	180.0	18.0
LM4040C10IDCKR	SC70	DCK	5	3000	203.0	203.0	35.0
LM4040C20IDBZR	SOT-23	DBZ	3	3000	210.0	185.0	35.0
LM4040C20IDBZR1G4	SOT-23	DBZ	3	3000	210.0	185.0	35.0
LM4040C20IDBZT	SOT-23	DBZ	3	250	210.0	185.0	35.0
LM4040C20IDCKR	SC70	DCK	5	3000	210.0	185.0	35.0

Device	Package Type	Package Drawing	Pins	SPQ	Length (mm)	Width (mm)	Height (mm)
LM4040C20QDBZR	SOT-23	DBZ	3	3000	210.0	185.0	35.0
LM4040C20QDBZT	SOT-23	DBZ	3	250	210.0	185.0	35.0
LM4040C20QDBZT1G4	SOT-23	DBZ	3	250	210.0	185.0	35.0
LM4040C25IDBZR	SOT-23	DBZ	3	3000	200.0	183.0	25.0
LM4040C25IDBZR	SOT-23	DBZ	3	3000	210.0	185.0	35.0
LM4040C25IDBZR1G4	SOT-23	DBZ	3	3000	210.0	185.0	35.0
LM4040C25IDBZT	SOT-23	DBZ	3	250	210.0	185.0	35.0
LM4040C25IDCKR	SC70	DCK	5	3000	210.0	185.0	35.0
LM4040C25IDCKR	SC70	DCK	5	3000	200.0	183.0	25.0
LM4040C25IDCKT	SC70	DCK	5	250	210.0	185.0	35.0
LM4040C25QDBZR	SOT-23	DBZ	3	3000	210.0	185.0	35.0
LM4040C25QDBZR1G4	SOT-23	DBZ	3	3000	210.0	185.0	35.0
LM4040C25QDBZT	SOT-23	DBZ	3	250	210.0	185.0	35.0
LM4040C30IDBZR	SOT-23	DBZ	3	3000	200.0	183.0	25.0
LM4040C30IDBZR	SOT-23	DBZ	3	3000	210.0	185.0	35.0
LM4040C30IDBZR1G4	SOT-23	DBZ	3	3000	210.0	185.0	35.0
LM4040C30IDBZT	SOT-23	DBZ	3	250	210.0	185.0	35.0
LM4040C30IDCKR	SC70	DCK	5	3000	210.0	185.0	35.0
LM4040C30QDBZR	SOT-23	DBZ	3	3000	210.0	185.0	35.0
LM4040C30QDBZR	SOT-23	DBZ	3	3000	200.0	183.0	25.0
LM4040C30QDBZT	SOT-23	DBZ	3	250	210.0	185.0	35.0
LM4040C41IDBZR	SOT-23	DBZ	3	3000	210.0	185.0	35.0
LM4040C41IDBZR1G4	SOT-23	DBZ	3	3000	210.0	185.0	35.0
LM4040C41IDBZT	SOT-23	DBZ	3	250	210.0	185.0	35.0
LM4040C41IDCKR	SC70	DCK	5	3000	210.0	185.0	35.0
LM4040C50IDBZR	SOT-23	DBZ	3	3000	210.0	185.0	35.0
LM4040C50IDBZR	SOT-23	DBZ	3	3000	200.0	183.0	25.0
LM4040C50IDBZR1G4	SOT-23	DBZ	3	3000	210.0	185.0	35.0
LM4040C50IDBZT	SOT-23	DBZ	3	250	210.0	185.0	35.0
LM4040C50IDCKR	SC70	DCK	5	3000	210.0	185.0	35.0
LM4040C50QDBZR	SOT-23	DBZ	3	3000	210.0	185.0	35.0
LM4040C50QDBZT	SOT-23	DBZ	3	250	210.0	185.0	35.0
LM4040C50QDBZT1G4	SOT-23	DBZ	3	250	210.0	185.0	35.0
LM4040C82IDBZR	SOT-23	DBZ	3	3000	180.0	180.0	18.0
LM4040C82IDBZR	SOT-23	DBZ	3	3000	203.0	203.0	35.0
LM4040C82IDCKR	SC70	DCK	5	3000	203.0	203.0	35.0
LM4040C82IDCKRG4	SC70	DCK	5	3000	203.0	203.0	35.0
LM4040D10IDBZR	SOT-23	DBZ	3	3000	200.0	183.0	25.0
LM4040D10IDBZR	SOT-23	DBZ	3	3000	180.0	180.0	18.0
LM4040D10IDBZT	SOT-23	DBZ	3	250	180.0	180.0	18.0
LM4040D10IDCKR	SC70	DCK	5	3000	200.0	183.0	25.0
LM4040D10IDCKRG4	SC70	DCK	5	3000	200.0	183.0	25.0
LM4040D20IDBZR	SOT-23	DBZ	3	3000	210.0	185.0	35.0

Device	Package Type	Package Drawing	Pins	SPQ	Length (mm)	Width (mm)	Height (mm)
LM4040D20IDBZR1G4	SOT-23	DBZ	3	3000	210.0	185.0	35.0
LM4040D20IDBZT	SOT-23	DBZ	3	250	210.0	185.0	35.0
LM4040D20IDCKR	SC70	DCK	5	3000	200.0	183.0	25.0
LM4040D20IDCKR	SC70	DCK	5	3000	210.0	185.0	35.0
LM4040D20QDBZR	SOT-23	DBZ	3	3000	210.0	185.0	35.0
LM4040D20QDBZT	SOT-23	DBZ	3	250	210.0	185.0	35.0
LM4040D25IDBZR	SOT-23	DBZ	3	3000	210.0	185.0	35.0
LM4040D25IDBZR	SOT-23	DBZ	3	3000	200.0	183.0	25.0
LM4040D25IDBZT	SOT-23	DBZ	3	250	210.0	185.0	35.0
LM4040D25IDCKR	SC70	DCK	5	3000	210.0	185.0	35.0
LM4040D25IDCKR	SC70	DCK	5	3000	200.0	183.0	25.0
LM4040D25IDCKT	SC70	DCK	5	250	200.0	183.0	25.0
LM4040D25IDCKT	SC70	DCK	5	250	210.0	185.0	35.0
LM4040D25QDBZR	SOT-23	DBZ	3	3000	210.0	185.0	35.0
LM4040D25QDBZT	SOT-23	DBZ	3	250	210.0	185.0	35.0
LM4040D25QDBZT1G4	SOT-23	DBZ	3	250	210.0	185.0	35.0
LM4040D30IDBZR	SOT-23	DBZ	3	3000	200.0	183.0	25.0
LM4040D30IDBZR	SOT-23	DBZ	3	3000	210.0	185.0	35.0
LM4040D30IDBZR1G4	SOT-23	DBZ	3	3000	210.0	185.0	35.0
LM4040D30IDBZT	SOT-23	DBZ	3	250	210.0	185.0	35.0
LM4040D30IDCKR	SC70	DCK	5	3000	210.0	185.0	35.0
LM4040D30IDCKRG4	SC70	DCK	5	3000	200.0	183.0	25.0
LM4040D30QDBZR	SOT-23	DBZ	3	3000	210.0	185.0	35.0
LM4040D41IDBZR	SOT-23	DBZ	3	3000	210.0	185.0	35.0
LM4040D41IDBZT	SOT-23	DBZ	3	250	210.0	185.0	35.0
LM4040D41IDCKR	SC70	DCK	5	3000	210.0	185.0	35.0
LM4040D50IDBZR	SOT-23	DBZ	3	3000	210.0	185.0	35.0
LM4040D50IDBZR1G4	SOT-23	DBZ	3	3000	210.0	185.0	35.0
LM4040D50IDBZT	SOT-23	DBZ	3	250	210.0	185.0	35.0
LM4040D50IDCKR	SC70	DCK	5	3000	210.0	185.0	35.0
LM4040D50QDBZR	SOT-23	DBZ	3	3000	210.0	185.0	35.0
LM4040D50QDBZT	SOT-23	DBZ	3	250	210.0	185.0	35.0
LM4040D82IDBZR	SOT-23	DBZ	3	3000	203.0	203.0	35.0
LM4040D82IDBZR	SOT-23	DBZ	3	3000	180.0	180.0	18.0
LM4040D82IDBZT	SOT-23	DBZ	3	250	203.0	203.0	35.0
LM4040D82IDBZT	SOT-23	DBZ	3	250	180.0	180.0	18.0
LM4040D82IDCKR	SC70	DCK	5	3000	203.0	203.0	35.0

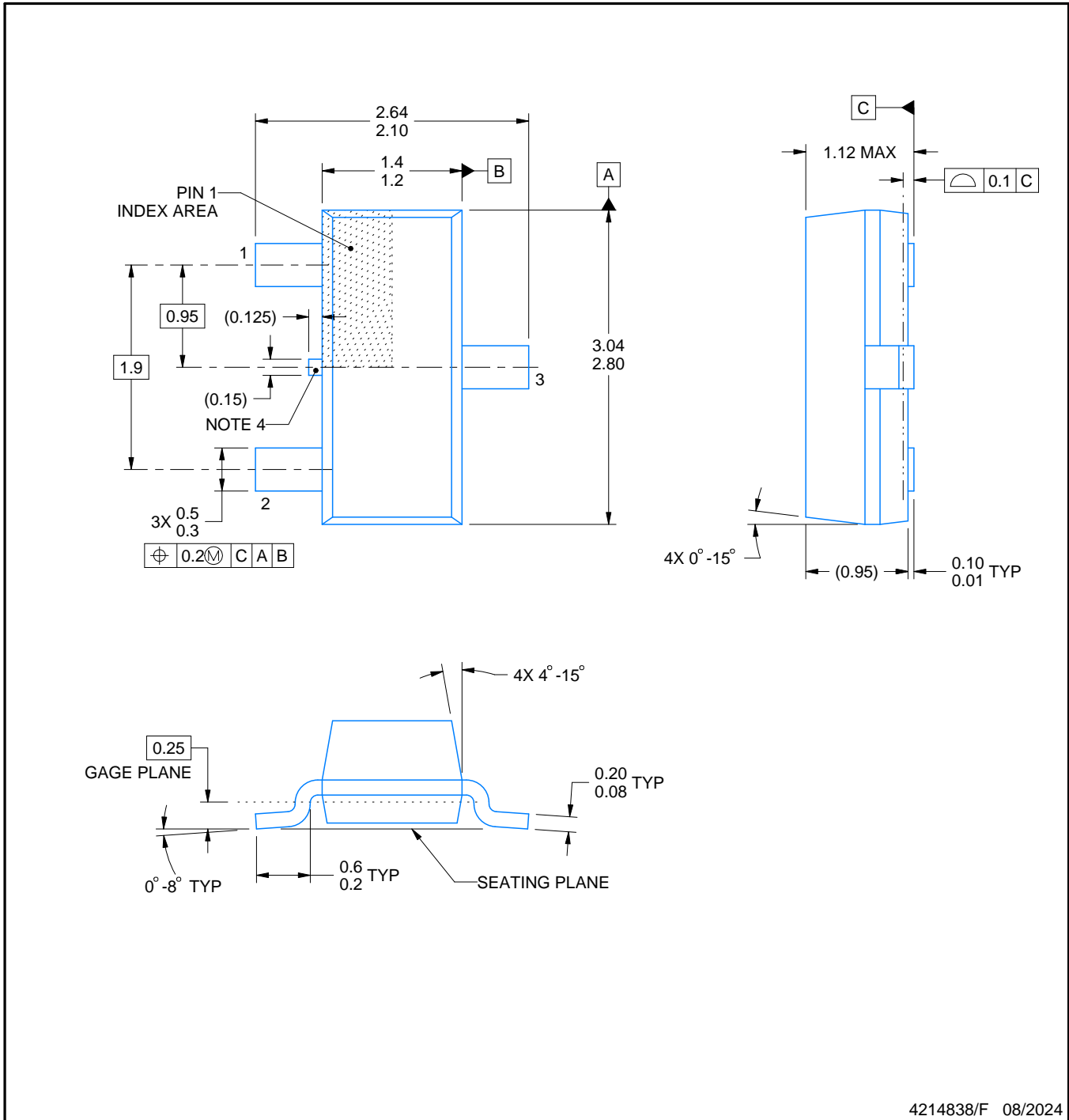
# DBZ0003A



# PACKAGE OUTLINE

## SOT-23 - 1.12 mm max height

SMALL OUTLINE TRANSISTOR



4214838/F 08/2024

### NOTES:

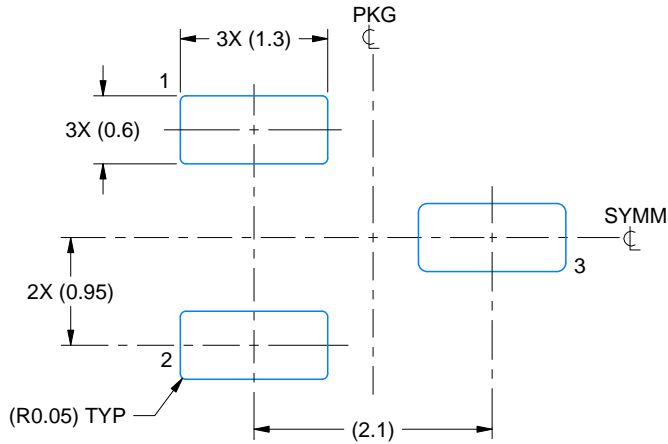
1. All linear dimensions are in millimeters. Any dimensions in parenthesis are for reference only. Dimensioning and tolerancing per ASME Y14.5M.
2. This drawing is subject to change without notice.
3. Reference JEDEC registration TO-236, except minimum foot length.
4. Support pin may differ or may not be present.
5. Body dimensions do not include mold flash, protrusions, or gate burrs. Mold flash, protrusions, or gate burrs shall not exceed 0.25mm per side

# EXAMPLE BOARD LAYOUT

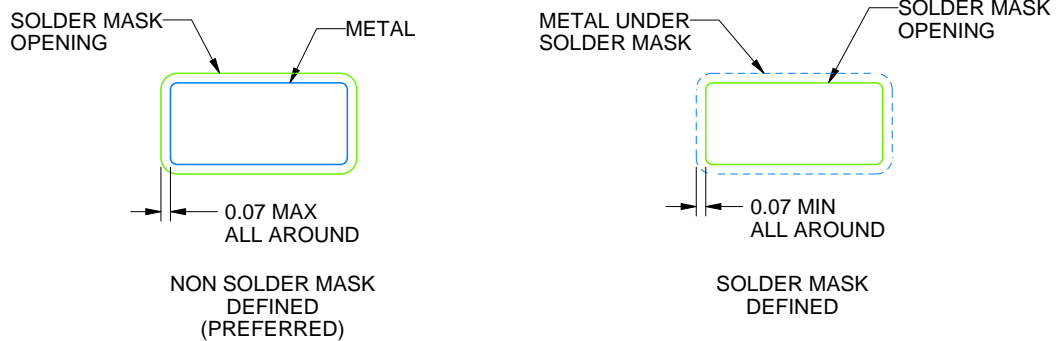
DBZ0003A

SOT-23 - 1.12 mm max height

SMALL OUTLINE TRANSISTOR



LAND PATTERN EXAMPLE  
SCALE:15X



SOLDER MASK DETAILS

4214838/F 08/2024

NOTES: (continued)

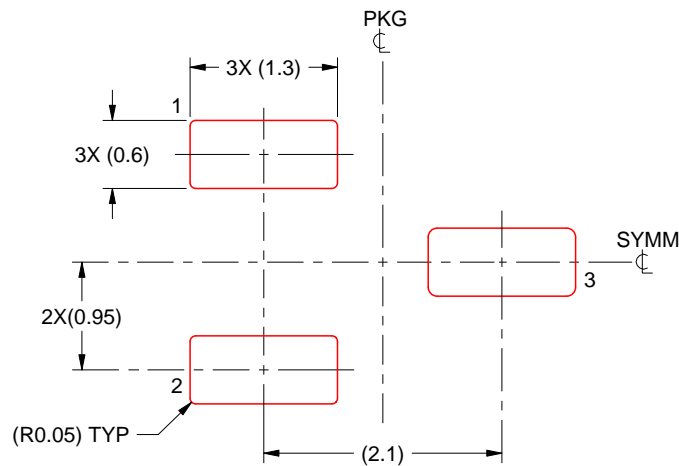
5. Publication IPC-7351 may have alternate designs.
6. Solder mask tolerances between and around signal pads can vary based on board fabrication site.

# EXAMPLE STENCIL DESIGN

DBZ0003A

SOT-23 - 1.12 mm max height

SMALL OUTLINE TRANSISTOR



SOLDER PASTE EXAMPLE  
BASED ON 0.125 THICK STENCIL  
SCALE:15X

4214838/F 08/2024

NOTES: (continued)

7. Laser cutting apertures with trapezoidal walls and rounded corners may offer better paste release. IPC-7525 may have alternate design recommendations.
8. Board assembly site may have different recommendations for stencil design.

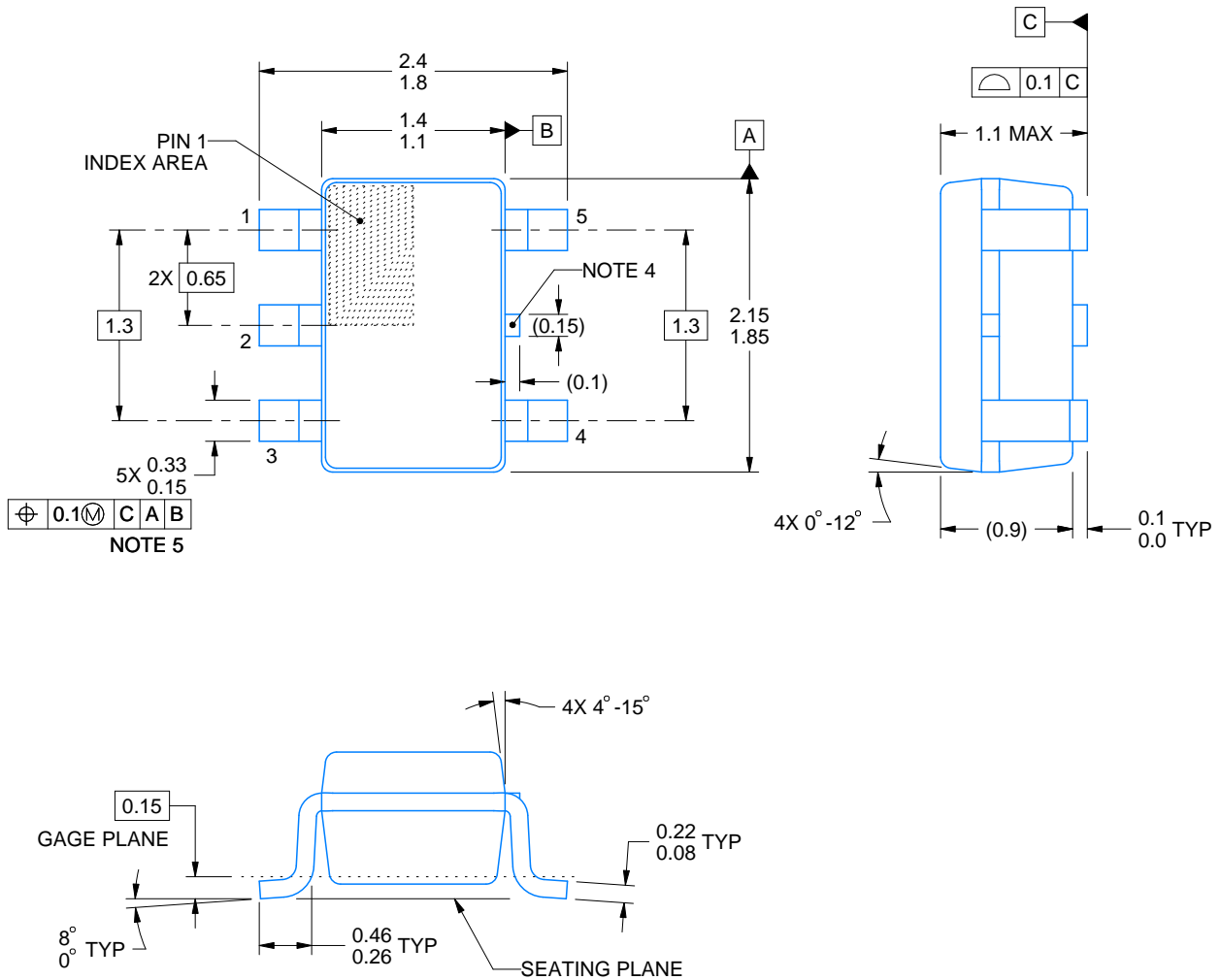
# DCK0005A



# PACKAGE OUTLINE

SOT - 1.1 max height

SMALL OUTLINE TRANSISTOR



4214834/G 11/2024

**NOTES:**

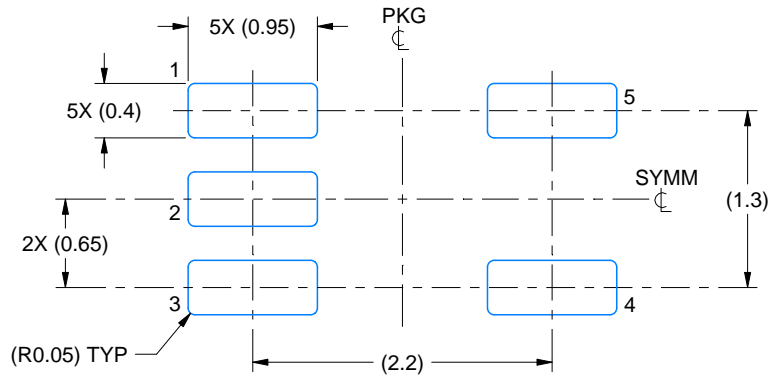
1. All linear dimensions are in millimeters. Any dimensions in parenthesis are for reference only. Dimensioning and tolerancing per ASME Y14.5M.
2. This drawing is subject to change without notice.
3. Reference JEDEC MO-203.
4. Support pin may differ or may not be present.
5. Lead width does not comply with JEDEC.
6. Body dimensions do not include mold flash, protrusions, or gate burrs. Mold flash, protrusions, or gate burrs shall not exceed 0.25mm per side

# EXAMPLE BOARD LAYOUT

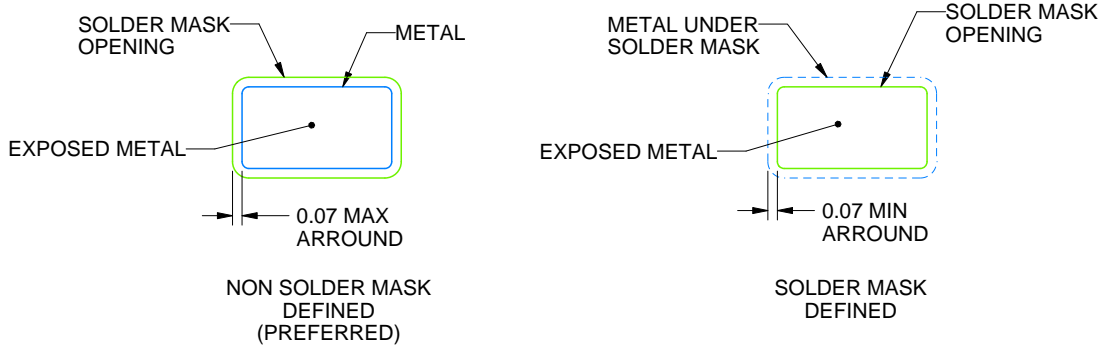
DCK0005A

SOT - 1.1 max height

SMALL OUTLINE TRANSISTOR



LAND PATTERN EXAMPLE  
EXPOSED METAL SHOWN  
SCALE:18X



SOLDER MASK DETAILS

4214834/G 11/2024

NOTES: (continued)

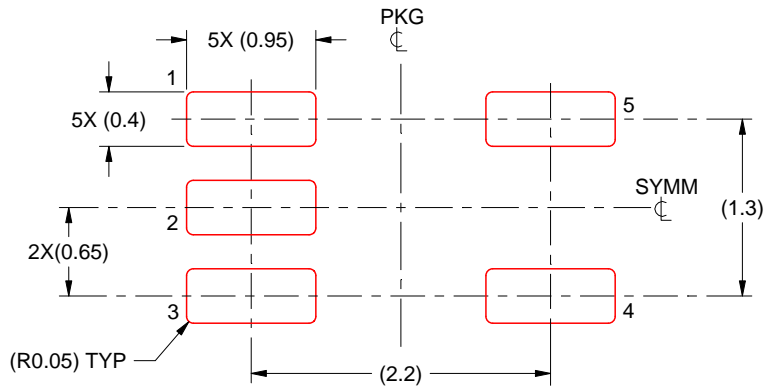
- 7. Publication IPC-7351 may have alternate designs.
- 8. Solder mask tolerances between and around signal pads can vary based on board fabrication site.

# EXAMPLE STENCIL DESIGN

DCK0005A

SOT - 1.1 max height

SMALL OUTLINE TRANSISTOR



SOLDER PASTE EXAMPLE  
BASED ON 0.125 THICK STENCIL  
SCALE: 18X

4214834/G 11/2024

NOTES: (continued)

9. Laser cutting apertures with trapezoidal walls and rounded corners may offer better paste release. IPC-7525 may have alternate design recommendations.
10. Board assembly site may have different recommendations for stencil design.

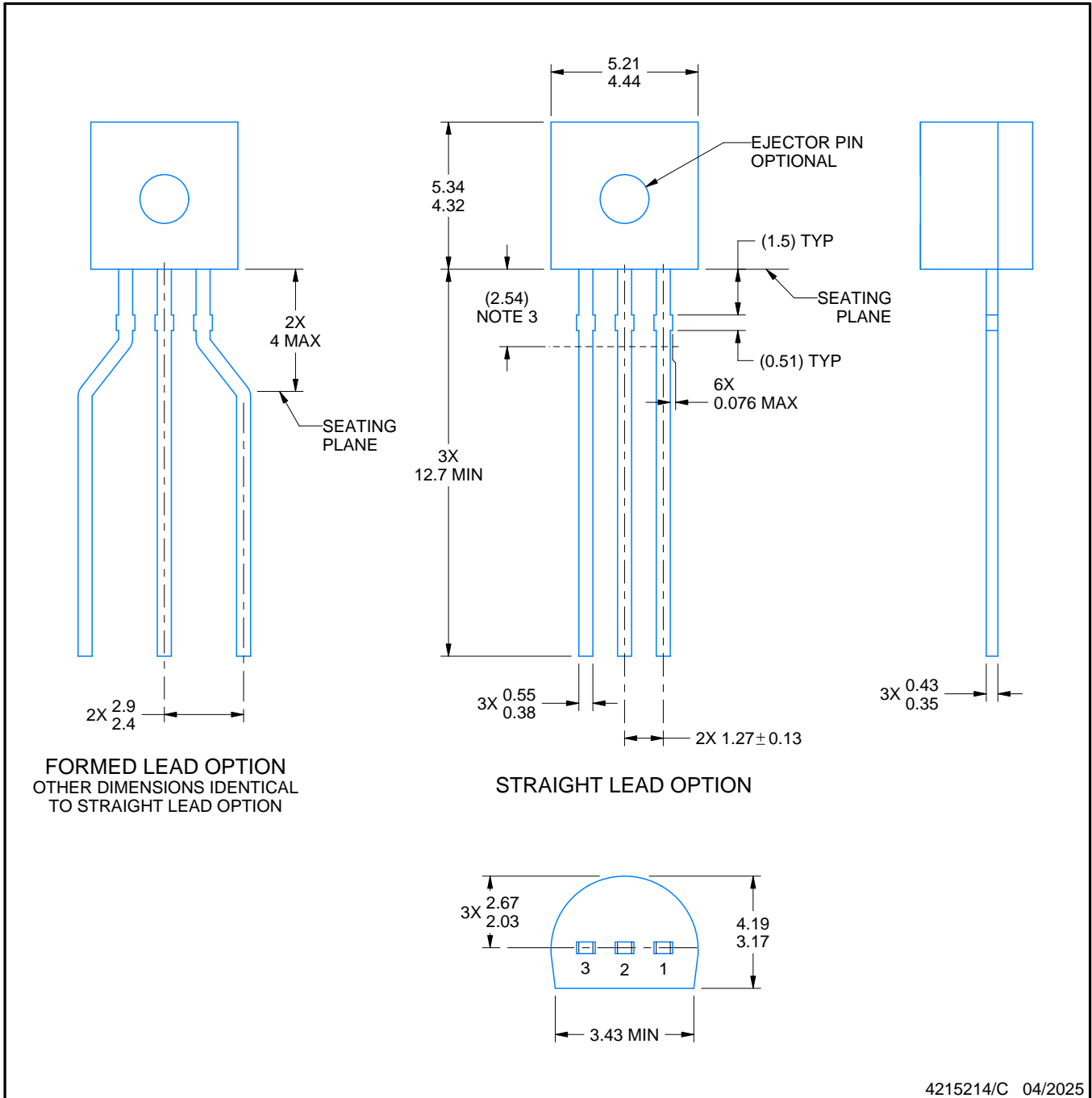
LP0003A



# PACKAGE OUTLINE

TO-92 - 5.34 mm max height

TO-92



4215214/C 04/2025

## NOTES:

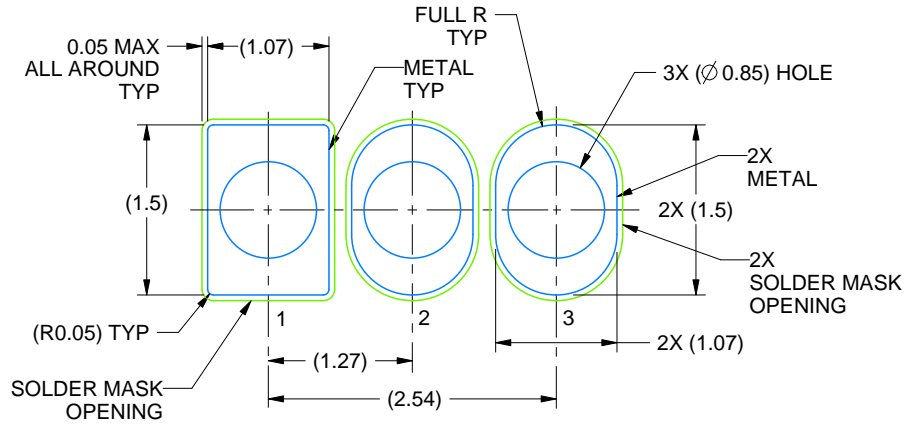
1. All linear dimensions are in millimeters. Any dimensions in parenthesis are for reference only. Dimensioning and tolerancing per ASME Y14.5M.
2. This drawing is subject to change without notice.
3. Lead dimensions are not controlled within this area.
4. Reference JEDEC TO-226, variation AA.
5. Shipping method:
  - a. Straight lead option available in bulk pack only.
  - b. Formed lead option available in tape and reel or ammo pack.
  - c. Specific products can be offered in limited combinations of shipping medium and lead options.
  - d. Consult product folder for more information on available options.

# EXAMPLE BOARD LAYOUT

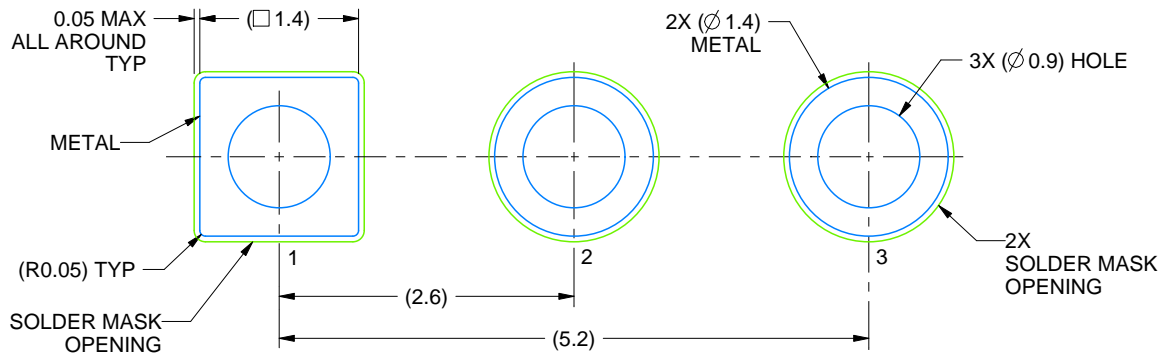
LP0003A

TO-92 - 5.34 mm max height

TO-92



LAND PATTERN EXAMPLE  
STRAIGHT LEAD OPTION  
NON-SOLDER MASK DEFINED  
SCALE:15X



LAND PATTERN EXAMPLE  
FORMED LEAD OPTION  
NON-SOLDER MASK DEFINED  
SCALE:15X

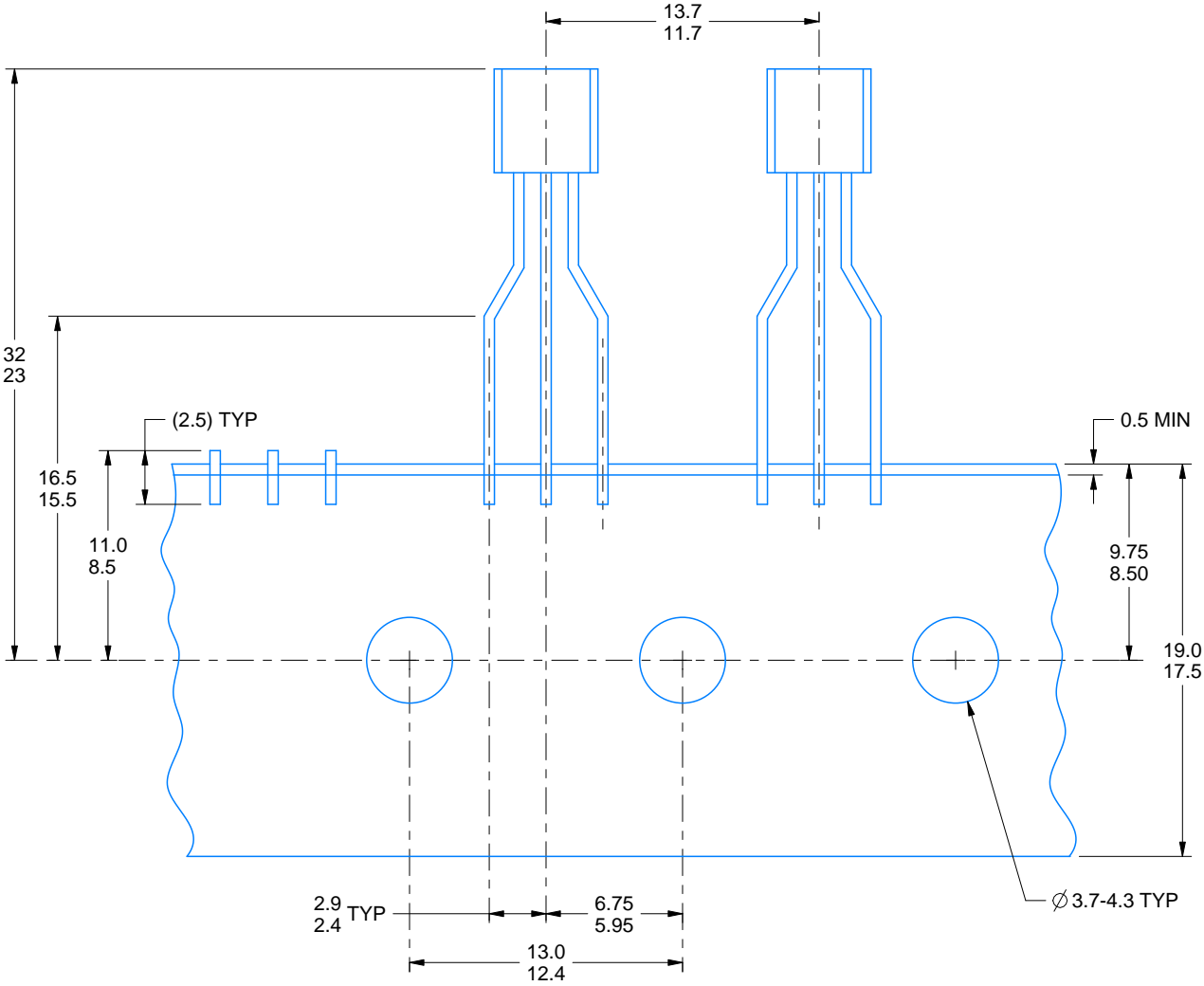
4215214/C 04/2025

# TAPE SPECIFICATIONS

LP0003A

TO-92 - 5.34 mm max height

TO-92



FOR FORMED LEAD OPTION PACKAGE

4215214/C 04/2025

## IMPORTANT NOTICE AND DISCLAIMER

TI PROVIDES TECHNICAL AND RELIABILITY DATA (INCLUDING DATASHEETS), DESIGN RESOURCES (INCLUDING REFERENCE DESIGNS), APPLICATION OR OTHER DESIGN ADVICE, WEB TOOLS, SAFETY INFORMATION, AND OTHER RESOURCES "AS IS" AND WITH ALL FAULTS, AND DISCLAIMS ALL WARRANTIES, EXPRESS AND IMPLIED, INCLUDING WITHOUT LIMITATION ANY IMPLIED WARRANTIES OF MERCHANTABILITY, FITNESS FOR A PARTICULAR PURPOSE OR NON-INFRINGEMENT OF THIRD PARTY INTELLECTUAL PROPERTY RIGHTS.

These resources are intended for skilled developers designing with TI products. You are solely responsible for (1) selecting the appropriate TI products for your application, (2) designing, validating and testing your application, and (3) ensuring your application meets applicable standards, and any other safety, security, regulatory or other requirements.

These resources are subject to change without notice. TI grants you permission to use these resources only for development of an application that uses the TI products described in the resource. Other reproduction and display of these resources is prohibited. No license is granted to any other TI intellectual property right or to any third party intellectual property right. TI disclaims responsibility for, and you fully indemnify TI and its representatives against any claims, damages, costs, losses, and liabilities arising out of your use of these resources.

TI's products are provided subject to [TI's Terms of Sale](#), [TI's General Quality Guidelines](#), or other applicable terms available either on [ti.com](http://ti.com) or provided in conjunction with such TI products. TI's provision of these resources does not expand or otherwise alter TI's applicable warranties or warranty disclaimers for TI products. Unless TI explicitly designates a product as custom or customer-specified, TI products are standard, catalog, general purpose devices.

TI objects to and rejects any additional or different terms you may propose.

Copyright © 2026, Texas Instruments Incorporated

Last updated 10/2025