

# DP83869HM High Immunity 10/100/1000 Ethernet Physical Layer Transceiver With Copper and Fiber Interface

## 1 Features

- Multiple operating modes
  - Media support: copper and fiber
  - Media conversion between copper and fiber
  - Bridge between RGMII and SGMII
- Maximum ambient temperature available of 125°C
- Exceeds 8kV IEC61000-4-2 ESD
- Low power consumption
  - < 150mW for 1000Base-X
  - < 500mW for 1000Base-T
- Low RGMII latency
  - Total latency ≤ 384ns for 1000Base-T
  - Total latency ≤ 361ns for 100Base-TX
- Time Sensitive Network (TSN) compliant
- Recovered clock output for SyncE
- Selectable synchronized clock output: 25MHz and 125MHz
- SFF-8431V4.1, 1000BASE-X and 100BASE-FX compatible
- IEEE 1588 support using SFD
- Wake on LAN support
- Configurable IO voltages: 1.8V, 2.5V, and 3.3V
- SGMII, RGMII, MII MAC interface
- Jumbo frame support for 1000M and 100M speed
- Cable diagnostics
  - TDR
  - BIST
- Programmable RGMII termination impedance
- Integrated MDI termination resistor
- Fast link drop modes
- Conforms to IEEE 802.3 1000Base-T, 100Base-TX, 10Base-Te, 1000Base-X, 100Base-FX

## 2 Applications

- [Industrial factory automation](#)
- [Grid infrastructure](#)
- [Motor and motion control](#)
- [Test and measurement](#)
- [Building automation](#)
- [Real-time industrial ethernet applications such as PROFINET®](#)

## 3 Description

The DP83869HM device is a robust, fully-featured gigabit physical layer (PHY) transceiver with integrated PMD sub-layers that supports 10BASE-Te, 100BASE-TX and 1000BASE-T Ethernet protocols. The DP83869 also supports 1000BASE-X and 100BASE-FX fiber protocols. Optimized for ESD protection, the DP83869HM exceeds 8kV IEC 61000-4-2 (direct contact). This device interfaces to the MAC layer through reduced GMII (RGMII) and SGMII. In 100M mode, the device lets the designer use MII for lower latency. Programmable integrated termination impedance on RGMII/MII helps reduce system BOM.

The DP83869HM supports media conversion in unmanaged mode. In this mode, the DP83869HM can run 1000BASE-X-to-1000BASE-T and 100BASE-FX-to-100BASE-TX conversions.

The DP83869HM can also support bridge conversion from RGMII to SGMII and SGMII to RGMII. The DP83869HM is compliant to TSN standards and offers low latency.

The DP83869HM can also generate IEEE 1588 Sync Frame Detect indications to MAC. This can reduce the jitter in time synchronization and help the system account for asymmetric delays in transmission and reception of packets.

The standard Ethernet system block diagram is shown in the [Standard Ethernet System Block Diagram](#). Designers can also use the DP83869 in Media Converter mode in RGMII-to-SGMII Bridge and SGMII-RGMII Bridge applications.

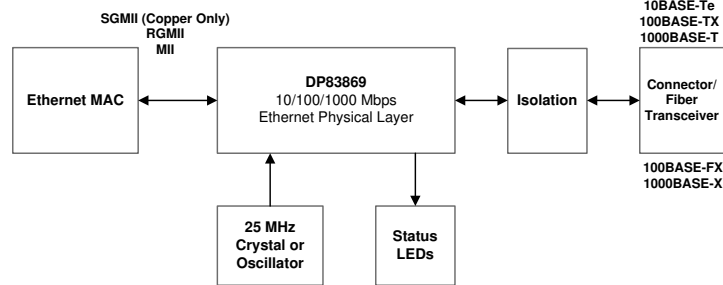
### Package Information

PART NUMBER	PACKAGE <sup>(1)</sup>	PACKAGE SIZE <sup>(2)</sup>
<a href="#">DP83869HM</a>	RGZ (VQFN, 48)	7mm × 7mm
<a href="#">DP83867E/IS/CS</a>	RGZ (VQFN, 48)	7mm × 7mm
<a href="#">DP83867IR/CR</a>	RGZ (VQFN, 48)	7mm × 7mm

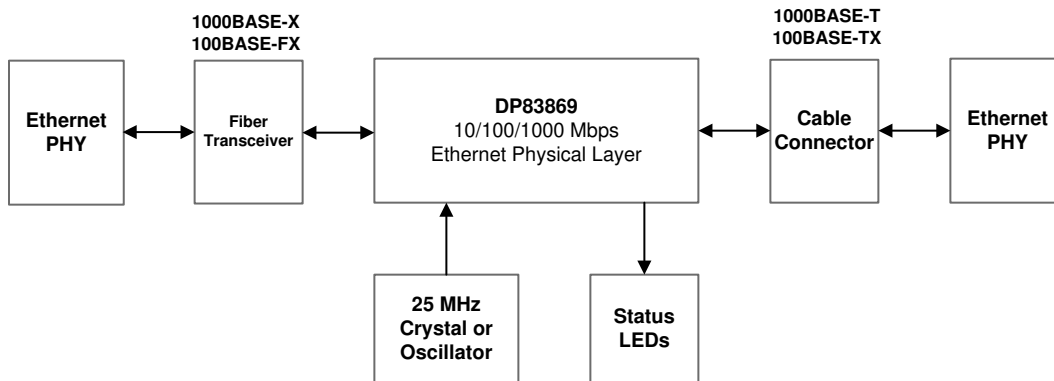
(1) For all available packages, see [Section 12](#).

(2) The package size (length × width) is a nominal value and includes pins, where applicable.

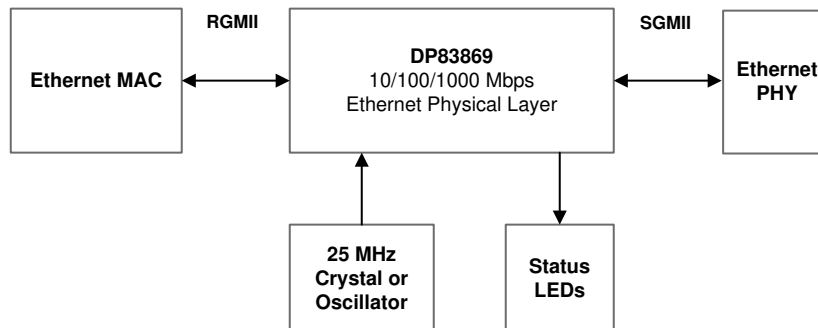




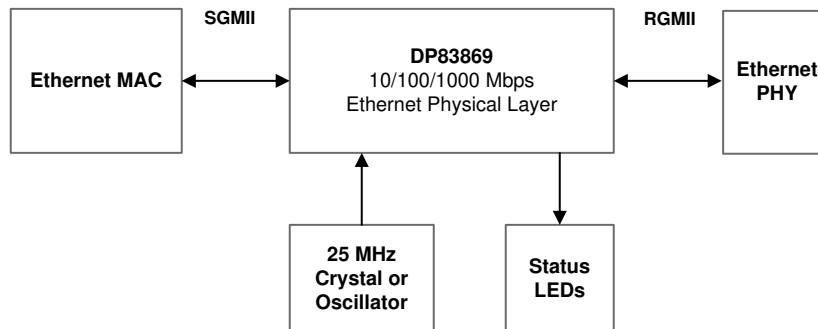
**Standard Ethernet System Block Diagram**



**Figure 3-1. Media Converter System Block Diagram**



**Figure 3-2. RGMII-SGMII Bridge System Block Diagram**



**Figure 3-3. SGMII-RGMII Bridge System Block Diagram**

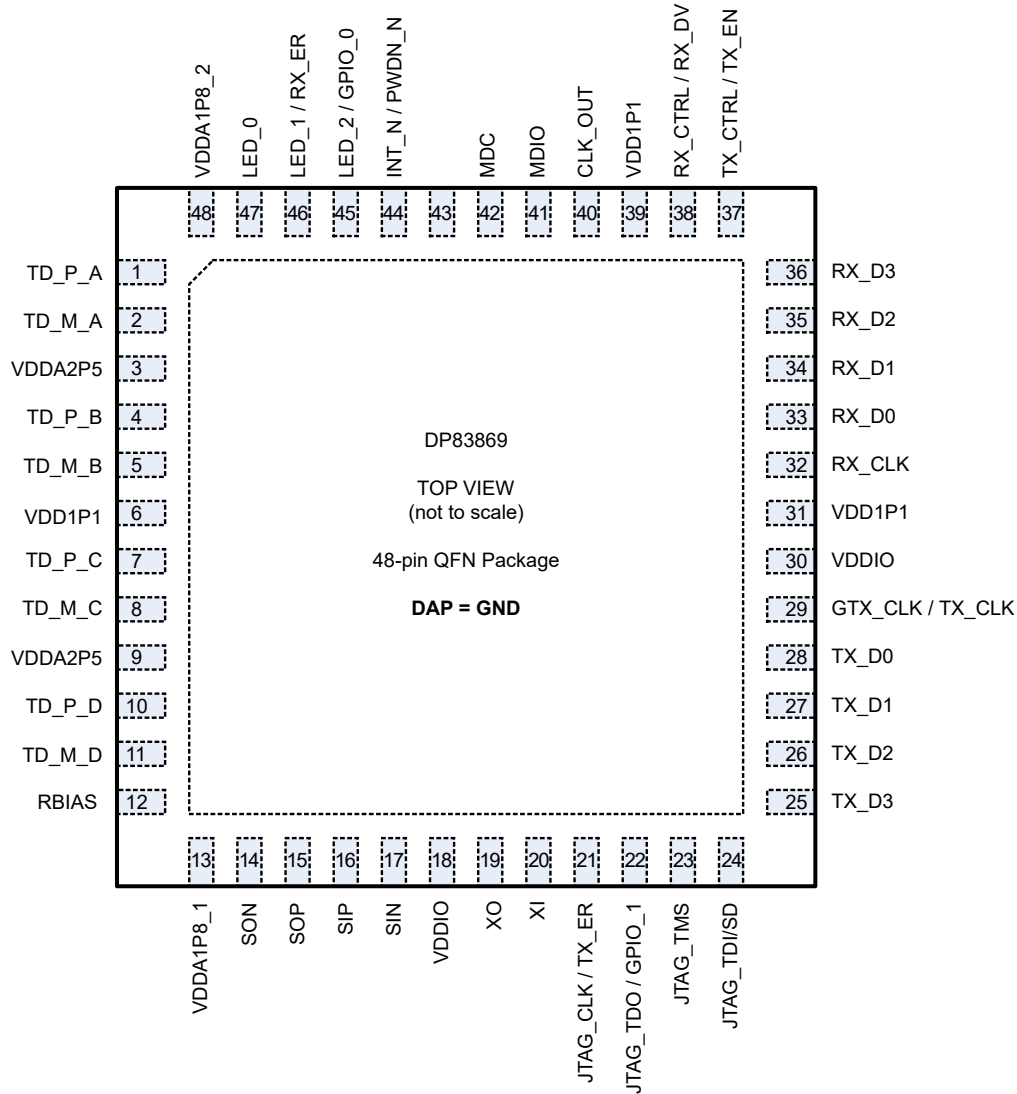
## Table of Contents

<b>1 Features</b> .....	1		
<b>2 Applications</b> .....	1	<b>7.5 Programming</b> .....	44
<b>3 Description</b> .....	1	<b>8 Register Maps</b> .....	51
<b>4 Device Comparison</b> .....	4	8.1 DP83869 Registers.....	51
<b>5 Pin Configuration and Functions</b> .....	5	<b>9 Application and Implementation</b> .....	114
<b>6 Specifications</b> .....	11	9.1 Application Information.....	114
6.1 Absolute Maximum Ratings.....	11	9.2 Typical Applications.....	114
6.2 ESD Ratings.....	11	9.3 Power Supply Recommendations.....	120
6.3 Recommended Operating Conditions.....	11	9.4 Layout.....	124
6.4 Thermal Information.....	12	<b>10 Device and Documentation Support</b> .....	129
6.5 Electrical Characteristics.....	12	10.1 Documentation Support.....	129
6.6 Timing Requirements.....	16	10.2 Receiving Notification of Documentation Updates.....	129
6.7 Timing Diagrams.....	18	10.3 Support Resources.....	129
6.8 Typical Characteristics.....	21	10.4 Trademarks.....	129
<b>7 Detailed Description</b> .....	22	10.5 Electrostatic Discharge Caution.....	129
7.1 Overview.....	22	10.6 Glossary.....	129
7.2 Functional Block Diagram.....	23	<b>11 Revision History</b> .....	129
7.3 Feature Description.....	23	<b>12 Mechanical, Packaging, and Orderable Information</b> .....	130
7.4 Device Functional Modes.....	32		

## 4 Device Comparison

DEVICE	BRIDGE MODE	TEMPERATURE	TEMPERATURE GRADE
DP83869HM	Yes	-40°C to +125°C	High Temp

## 5 Pin Configuration and Functions



**Figure 5-1. RGZ Package  
(48-Pin VQFN)  
Top View**

**Table 5-1. RGZ Package (VQFN) Pin Functions**

PIN		I/O	TYPE	DESCRIPTION
NO.	NAME			
1	TD_P_A	I/O	Analog	Differential Transmit and Receive Signals
2	TD_M_A	I/O	Analog	Differential Transmit and Receive Signals
3	VDDA2P5	I	Power	2.5V Analog Supply ( $\pm 5\%$ ). Each pin requires a $1\mu\text{F}$ and $0.1\mu\text{F}$ capacitor to GND.
4	TD_P_B	I/O	Analog	Differential Transmit and Receive Signals
5	TD_M_B	I/O	Analog	Differential Transmit and Receive Signals
6	VDD1P1	I	Power	1.1V Digital Supply ( $\pm 10\%$ ). Each pin requires a $1\mu\text{F}$ and $0.1\mu\text{F}$ capacitor to GND.
7	TD_P_C	I/O	Analog	Differential Transmit and Receive Signals
8	TD_M_C	I/O	Analog	Differential Transmit and Receive Signals
9	VDDA2P5	I	Power	2.5V Analog Supply ( $\pm 5\%$ ). Each pin requires a $1\mu\text{F}$ and $0.1\mu\text{F}$ capacitor to GND.

**Table 5-1. RGZ Package (VQFN) Pin Functions (continued)**

PIN		I/O	TYPE	DESCRIPTION
NO.	NAME			
10	TD_P_D	I/O	Analog	Differential Transmit and Receive Signals
11	TD_M_D	I/O	Analog	Differential Transmit and Receive Signals
12	RBIAS	I	—	Bias Resistor Connection. An 11kΩ ±1% resistor must be connected from RBIAS to GND.
13	VDDA1P8_1	I	Power	No external supply is required for this pin in two-supply mode. When unused, no connections can be made to these pins. In three-supply mode, an external 1.8V(±5%) supply can be connected to these pins. When using an external supply, each pin requires a 1μF and 0.1μF capacitor to GND.
14	SON	O	Analog	Differential SGMII or Fiber Data Output: This signal carries data from the PHY to the MAC, fiber transceiver, or link partner in SGMII and fiber modes. This pin is AC-coupled to the distant device through a 0.1μF capacitor. This pin provides LVDS signals, additional components can be required for the optical transceiver.
15	SOP	O	Analog	Differential SGMII or Fiber Data Output: This signal carries data from the PHY to the MAC, fiber transceiver, or link partner in SGMII and fiber modes. This pin is AC-coupled to the distant device through a 0.1μF capacitor. This pin provides LVDS signals, additional components can be required for the optical transceiver
16	SIP	I	Analog	Differential SGMII or Fiber Data Input: This signal carries data from the MAC, fiber transceiver, or link partner, to the PHY in SGMII and fiber modes. This pin is AC-coupled to the distant device through a 0.1μF capacitor. This pin accepts LVDS signals, additional components can be required for the optical transceiver
17	SIN	I	Analog	Differential SGMII or Fiber Data Input: This signal carries data from the MAC, fiber transceiver, or link partner, to the PHY in SGMII and fiber modes. This pin is AC-coupled to the distant device through a 0.1μF capacitor. This pin accepts LVDS signals, additional components can be required for the optical transceiver
18	VDDIO	I	Power	I/O Power: 1.8V (±5%), 2.5V (±5%) or 3.3V (±5%). Each pin requires a 1μF and 0.1μF capacitor to GND
19	XO	O	Clock	CRYSTAL OSCILLATOR OUTPUT: Second terminal for 25MHz crystal. Must be left floating if a clock oscillator is used.
20	XI	I	Clock	CRYSTAL OSCILLATOR INPUT: 25MHz oscillator or crystal input.
21	JTAG_CLK/TX_ER	I	WPU	JTAG TEST CLOCK: IEEE 1149.1 Test Clock input, primary clock source for all test logic input and output controlled by the testing entity. MII Mode: In MII mode, this pin is configured as TX_ER pin and is sourced from MAC to PHY. Use of this pin is optional.
22	JTAG_TDO/GPIO_1	O	—	JTAG TEST DATA OUTPUT: IEEE 1149.1 Test Data Output pin, the most recent test results are scanned out of the device via TDO. General Purpose I/O: This signal provides a multi-function configurable I/O. Please refer to the GPIO_MUX_CTRL register for details.
23	JTAG_TMS	I	WPU	JTAG TEST MODE SELECT: IEEE 1149.1 Test Mode Select pin, the TMS pin sequences the Tap Controller (16-state FSM) to select the desired test instruction. TI recommends applying 3 clock cycles with JTAG_TMS high to reset the JTAG.
24	JTAG_TDI/SD	I	WPU	JTAG TEST DATA INPUT: IEEE 1149.1 Test Data Input pin, test data is scanned into the device via TDI. SD: In 1000Base-X and 100Base-FX mode, this pin acts as Signal Detect. SD is an active low pin. This must be connected to Signal Detect of optical transceiver.
25	TX_D3	I	WPD	TRANSMIT DATA: Signal TX_D[3:0] carries data from the MAC to the PHY in RGMII mode and MII mode. Data is synchronous to the transmit clock. In RGMII mode GTX_CLK is the transmit clock and in MII mode TX_CLK is the transmit clock.
26	TX_D2	I	WPD	
27	TX_D1	I	WPD	
28	TX_D0	I	WPD	
29	GTX_CLK/TX_CLK	I/O	WPD	RGMII TRANSMIT CLOCK: This continuous clock signal is sourced from the MAC layer to the PHY. Nominal frequency is 125MHz in 1000Mbps mode. This pin is Input in RGMII mode. MII TRANSMIT CLOCK: In MII mode, this pin provides a 25MHz reference clock for 100Mbps speed and a 2.5MHz reference clock for 10Mbps speed. This pin is output in MII mode. This pin is GTX_CLK by default and can be changed to TX_CLK by register configurations.

**Table 5-1. RGZ Package (VQFN) Pin Functions (continued)**

PIN		I/O	TYPE	DESCRIPTION
NO.	NAME			
30	VDDIO	I	Power	I/O Power: 1.8V (±5%), 2.5V (±5%) or 3.3V (±5%). Each pin requires a 1µF and 0.1µF capacitor to GND
31	VDD1P1	I	Power	1.1V Digital Supply (±10%). Each pin requires a 1µF and 0.1µF capacitor to GND.
32	RX_CLK	O	Strap, WPD	RECEIVE CLOCK: Provides the recovered receive clocks for different modes of operation: 125MHz in 1000Mbps RGMII mode.
33	RX_D0	O	Strap, WPD	RECEIVE DATA: Signal RX_D[3:0] carries data from the PHY to the MAC in RGMII mode and in MII mode. Symbols received on the cable are decoded and presented on these pins synchronous to RX_CLK.
34	RX_D1	O	Strap, WPD	
35	RX_D2	O	Strap, WPD	
36	RX_D3	O	Strap, WPD	
37	TX_CTRL/TX_EN	I	WPD	TRANSMIT CONTROL: In RGMII mode, TX_CTRL combines the transmit enable and the transmit error signal inputs from the MAC using both clock edges. TX_EN: In MII mode, this pin functions as TX_EN.
38	RX_CTRL/RX_DV	O	WPD	RECEIVE CONTROL: In RGMII mode, the receive data available and receive error are combined (RXDV_ER) using both rising and falling edges of the receive clock (RX_CLK). RX_DV: In MII mode, this pin functions as RX_DV.
39	VDD1P1	I	Power	1.1V Digital Supply (±10%). Each pin requires a 1µF and 0.1µF capacitor to GND.
40	CLK_OUT	O	Clock	CLOCK OUTPUT: Output clock
41	MDIO	I/O	—	MANAGEMENT DATA I/O: Bi-directional management instruction/data signal that can be sourced by the management station or the PHY. This open-drain pin requires a 1.5kΩ pull-up resistor.
42	MDC	I	—	MANAGEMENT DATA CLOCK: Synchronous clock to the MDIO serial management input/output data. This clock can be asynchronous to the MAC transmit and receive clocks. The maximum clock rate is 25MHz. There is no minimum clock rate.
43	RESET_N	I	—	RESET_N: This pin is an active-low reset input that initializes or re-initializes all the internal registers of the DP83869. Asserting this pin low for at least 1µs forces a reset process to occur. This pin is in IO voltage domain. A 100Ω resistor and 47µF capacitor are required to be connected in series between RESET_N pin and Ground.
44	INT_N/PWDN_N	I/O	—	INTERRUPT / POWER DOWN: The default function of this pin is POWER DOWN. POWER DOWN: This is an Active Low Input. Asserting this signal low enables the power-down mode of operation. In this mode the device powers down and consumes minimum power. Register access is available through the Management Interface to configure and power up the device. INTERRUPT: The interrupt pin is an open-drain, active low output signal indicating an interrupt condition has occurred. Register access is required to determine which event caused the interrupt. TI recommends using an external 2.2kΩ resistor connected to the VDDIO supply. When register access is disabled through pin option, the interrupt is asserted for 500ms before self-clearing.
45	LED_2/GPIO_0	I/O	Strap, WPD	LED_2: Part of VIO voltage domain. General Purpose I/O: This signal provides a multi-function configurable I/O. Please refer to the GPIO_MUX_CTRL register for details.
46	LED_1/RX_ER	O	Strap, WPD	LED_1: Part of VIO voltage domain. MII Mode: In MII mode this pin is configured as RX_ER. This pin is asserted high synchronously to rising edge of RX_CLK. Use of this pin is optional.
47	LED_0	O	Strap, WPD	LED_0: This pin is part of the VDDIO voltage domain
48	VDDA1P8_2	I	Power	No external supply is required for this pin in two-supply mode. When unused, no connections can be made to these pins. In three-supply mode, an external 1.8V(±5%) supply can be connected to these pins. When using an external supply, each pin requires a 1µF and 0.1µF capacitor to GND.

Pin Functionality definitions are given below:

- I: Input
- O: Output
- I/O: Input/Output

- Strap: Multifunctional bootstrap pins
- WPD: Weak Pull Down Resistor (internal)
- WPU: Weak Pull Up Resistor (internal)
- Power: Power Supply Pins
- Analog: Analog pins

**Table 5-2. Pin States-1**

PIN NO	PIN NAME	RESET		COPPER MODE					
				MII		RGMII		SGMII	
		PIN STATE	PULL/HI-Z	PIN STATE	PULL/HI-Z	PIN STATE	PULL/HI-Z	PIN STATE	PULL/HI-Z
14	SON	O	Hi-Z	O	Hi-Z	O	Hi-Z	O	50Ω
15	SOP	O	Hi-Z	O	Hi-Z	O	Hi-Z	O	50Ω
16	SIP	I	Hi-Z	I	Hi-Z	I	Hi-Z	I	50Ω
17	SIN	I	Hi-Z	I	Hi-Z	I	Hi-Z	I	50Ω
21	JTAG_CLK/ TX_ER	I	PU	I	PU	I	PU	I	PU
22	JTAG_TDO / GPIO_1	I	PD	O	Hi-Z	O	Hi-Z	O	Hi-Z
23	JTAG_TMS	I	PU	I	PU	I	PU	I	PU
24	JTAG_TDI / SD	I	PU	I	PU	I	PU	I	PU
25	TX_D3	I	PD	I	PD	I	PD	I	PD
26	TX_D2	I	PD	I	PD	I	PD	I	PD
27	TX_D1	I	PD	I	PD	I	PD	I	PD
28	TX_D0	I	PD	I	PD	I	PD	I	PD
29	GTX_CLK / TX_CLK	I	PD	O	PD	I	PD	I	PD
32	RX_CLK	I	PD	O	Hi-Z	O (125MHz)	Hi-Z	I	PD
33	RX_D0	I	PD	O	Hi-Z	O	Hi-Z	I	PD
34	RX_D1	I	PD	O	Hi-Z	O	Hi-Z	I	PD
35	RX_D2	I	PD	O	Hi-Z	O	Hi-Z	I	PD
36	RX_D3	I	PD	O	Hi-Z	O	Hi-Z	I	PD
37	TX_CTRL / TX_EN	I	PD	I	PD	I	PD	I	PD
38	RX_CTRL / RX_DV	I	PD	O	Hi-Z	O	Hi-Z	I	Hi-Z
40	CLK_OUT	O (25MHz)	Hi-Z	O (25MHz)	Hi-Z	O (25MHz)	Hi-Z	O (25MHz)	Hi-Z
41	MDIO	I	Hi-Z	I/O	Hi-Z	I/O	Hi-Z	I/O	Hi-Z
42	MDC	I	Hi-Z	I	Hi-Z	I	Hi-Z	I	Hi-Z
43	RESET_N	I	PU	I	PU	I	PU	I	PU
44	INT_N / PWDN_N	I	PU	I/O	PU/OD-PU	I/O	PU/OD-PU	I/O	PU/OD-PU
45	LED_2 / GPIO_0	I	PD	I/O	Hi-Z	I/O	Hi-Z	I/O	Hi-Z
46	LED_1 / RX_ER	I	PD	O	Hi-Z	O	Hi-Z	O	Hi-Z
47	LED_0	I	PD	O	Hi-Z	O	Hi-Z	O	Hi-Z

**Table 5-3. Pin States-2**

PIN NO	PIN NAME	MEDIA CONVERTOR		BRIDGE MODE			
				RGMII TO SGMII		SGMII TO RGMII	
		PIN STATE	PULL/HI-Z	PIN STATE	PULL/HI-Z	PIN STATE	PULL/HI-Z
14	SON	O	50Ω	O	50Ω	O	50Ω
15	SOP	O	50Ω	O	50Ω	O	50Ω
16	SIP	I	50Ω	I	50Ω	I	50Ω
17	SIN	I	50Ω	I	50Ω	I	50Ω
21	JTAG_CLK/ TX_ER	I	PU	I	PU	I	PU
22	JTAG_TDO / GPIO_1	O	Hi-Z	O	Hi-Z	O	Hi-Z
23	JTAG_TMS	I	PU	I	PU	I	PU
24	JTAG_TDI / SD	I	PU	I	PU	I	PU
25	TX_D3	I	PD	I	PD	I	PD
26	TX_D2	I	PD	I	PD	I	PD
27	TX_D1	I	PD	I	PD	I	PD
28	TX_D0	I	PD	I	PD	I	PD
29	GTX_CLK / TX_CLK	I	PD	I	PD	I	PD
32	RX_CLK	I	PD	O	Hi-Z	O	Hi-Z
33	RX_D0	I	PD	O	Hi-Z	O	Hi-Z
34	RX_D1	I	PD	O	Hi-Z	O	Hi-Z
36	RX_D2	I	PD	O	Hi-Z	O	Hi-Z
36	RX_D3	I	PD	O	Hi-Z	O	Hi-Z
37	TX_CTRL / TX_EN	I	PD	I	PD	I	PD
38	RX_CTRL / RX_DV	I	PD	O	Hi-Z	O	Hi-Z
40	CLK_OUT	O (25MHz)	Hi-Z	O (25MHz)	Hi-Z	O (25MHz)	Hi-Z
41	MDIO	I/O	Hi-Z	I/O	Hi-Z	I/O	Hi-Z
42	MDC	I	Hi-Z	I	Hi-Z	I	Hi-Z
43	RESET_N	I	PU	I	PU	I	PU
44	INT_N / PWDN_N	I/O	PU/OD-PU	I/O	PU/OD-PU	I/O	PU/OD-PU
45	LED_2 / GPIO_0	I/O	Hi-Z	I/O	Hi-Z	I/O	Hi-Z
46	LED_1 / RX_ER	O	Hi-Z	O	Hi-Z	O	Hi-Z
47	LED_0	O	Hi-Z	O	Hi-Z	O	Hi-Z

**Table 5-4. Pin States-3**

PIN NO	PIN NAME	IEEE PWDN		MII ISOLATE	
		PIN STATE	PULL/HI-Z	PIN STATE	PULL/HI-Z
14	SON	O	50Ω	O	50Ω
15	SOP	O	50Ω	O	50Ω
16	SIP	I	50Ω	I	50Ω
17	SIN	I	50Ω	I	50Ω
21	JTAG_CLK/ TX_ER	I/O	PU	I	PU
22	JTAG_TDO / GPIO_1	O	Hi-Z	O	Hi-Z
23	JTAG_TMS	I	PU	I	PU

**Table 5-4. Pin States-3 (continued)**

24	JTAG_TDI / SD	I	PU	I	PU
25	TX_D3	I	PD	I	PD
26	TX_D2	I	PD	I	PD
27	TX_D1	I	PD	I	PD
28	TX_D0	I	PD	I	PD
29	GTX_CLK / TX_CLK	I	PD	I	PD
32	RX_CLK	O (2.5MHz)	Hi-Z	I	PD
33	RX_D0	O	Hi-Z	I	PD
34	RX_D1	O	Hi-Z	I	PD
36	RX_D2	O	Hi-Z	I	PD
36	RX_D3	O	Hi-Z	I	PD
37	TX_CTRL / TX_EN	I	PD	I	PD
38	RX_CTRL / RX_DV	O	Hi-Z	I	PD
40	CLK_OUT	O (25MHz)	Hi-Z	O (25MHz)	Hi-Z
41	MDIO	I	Hi-Z	I	Hi-Z
42	MDC	I	Hi-Z	I	Hi-Z
43	RESET_N	I	PU	I	PU
44	INT_N / PWDN_N	I/O	PU/OD-PU	I/O	PU/OD-PU
45	LED_2 / GPIO_0	O	Hi-Z	O	Hi-Z
46	LED_1 / RX_ER	O	Hi-Z	O	Hi-Z
47	LED_0	O	Hi-Z	O	Hi-Z

Note: Leave Hi-Z pins floating or NC. If needed, connect Hi-Z pins to GND with 10kΩ pull-down resistor.

## 6 Specifications

### 6.1 Absolute Maximum Ratings

over operating free-air temperature range (unless otherwise noted)<sup>(1)</sup>

PARAMETER		MIN	MAX	UNIT
Supply voltage	VDD1P1	-0.5	1.4	V
	VDD1P8	-0.5	2.16	V
	VDD2P5	-0.5	3	V
	VDDIO (3V3)	-0.5	3.8	V
	VDDIO (2V5)	-0.5	3	V
	VDDIO (1V8)	-0.5	2.1	V
Pins	MDI	-0.5	6.5	V
Pins	MAC Interface, MDIO, MDC, GPIO	-0.5	VDDIO + 0.3	V
Pins	INT/PWDN, RESET	-0.5	VDDIO + 0.3	V
Pins	JTAG	-0.5	VDDIO + 0.3	V
Storage temperature	Tstg	-60	150	C

- (1) Operation outside the *Absolute Maximum Ratings* may cause permanent device damage. *Absolute Maximum Ratings* do not imply functional operation of the device at these or any other conditions beyond those listed under *Recommended Operating Conditions*. If used outside the *Recommended Operating Conditions* but within the *Absolute Maximum Ratings*, the device may not be fully functional, and this may affect device reliability, functionality, performance, and shorten the device lifetime.

### 6.2 ESD Ratings

Parameter				VALUE	UNIT
V <sub>(ESD)</sub>	V(ESD) Electrostatic discharge	Human-body model (HBM), per ANSI/ESDA/JEDEC JS-001 <sup>(1)</sup>	All pins except MDI	+/-2500	V
			MDI pins <sup>(2)</sup>	+/-8000	
		Charged-device model (CDM), per JEDEC specification JESD22-C101 <sup>(3)</sup>	All Pins	+/-1500	
			IEC 61000-4-2 contact discharge	MDI pins	+/-8000

- (1) JEDEC document JEP155 states that 500V HBM allows safe manufacturing with a standard ESD control process. Manufacturing with less than 500V HBM is possible with the necessary precautions. Pins listed as ±8kV and/or ± 2kV can actually have higher performance.
- (2) MDI Pins tested as per IEC 61000-4-2 standards.
- (3) JEDEC document JEP157 states that 250V CDM allows safe manufacturing with a standard ESD control process. Manufacturing with less than 250V CDM is possible with the necessary precautions. Pins listed as ±500V can actually have higher performance.

### 6.3 Recommended Operating Conditions

over operating free-air temperature range (unless otherwise noted)

Parameter		MIN	NOM	MAX	UNIT
VDDIO	Digital Supply Voltage, 1.8V operation	1.71	1.8	1.89	V
	Digital Supply Voltage, 2.5V operation	2.375	2.5	2.625	
	Digital Supply Voltage, 3.3V operation	3.15	3.3	3.45	
VDD1P1	Digital Supply	0.99	1.1	1.21	V
VDDA1P8	Analog Supply	1.71	1.8	1.89	V
VDDA2P5	Analog Supply	2.375	2.5	2.625	V
T <sub>A</sub>	Operating Ambient Temperature	-40		125	°C
T <sub>J</sub>	Operating Junction Temperature	-40		140	°C

## 6.4 Thermal Information

THERMAL METRIC <sup>(1)</sup>		48PIN VQFN	UNIT
R <sub>θJA</sub>	Junction-to-ambient thermal resistance	30.8	°C/W
R <sub>θJC(top)</sub>	Junction-to-case (top) thermal resistance	18.7	°C/W
R <sub>θJC(bot)</sub>	Junction-to-case (bottom) thermal resistance	1.4	°C/W
R <sub>θJB</sub>	Junction-to-board thermal resistance	7.5	°C/W
Ψ <sub>JT</sub>	Junction-to-top characterization parameter	0.3	°C/W
Ψ <sub>JB</sub>	Junction-to-board characterization parameter	7.5	°C/W

(1) For more information about traditional and new thermal metrics, see the [Semiconductor and IC Package Thermal Metrics application note](#).

## 6.5 Electrical Characteristics

over operating free-air temperature range (unless otherwise noted)<sup>(1)</sup>

PARAMETER	TEST CONDITIONS	MIN	TYP	MAX	UNIT
<b>1000Base-X/100Base-FX/SGMII INPUT</b>					
Input differential voltage tolerance	SI_P and SI_N, AC coupled	0.3	0.5	2.0	V
Receiver differential input impedance (DC)		80	100	120	Ω
Frequency tolerance	SI_P and SI_N, AC coupled	-100		+100	ppm
<b>1000Base-X OUTPUT</b>					
Clock signal duty cycle	SO_P and SO_N, AC coupled, 0101010101 pattern	48		52	%
Vod fall time (20%-80%)	SO_P and SO_N, AC coupled, 0101010101 pattern	100		200	ps
Vod rise time (20%-80%)	SO_P and SO_N, AC coupled, 0101010101 pattern	100		200	ps
Total Output Jitter	SO_P and SO_N, AC coupled		192		ps
Output Differential Voltage	SO_P and SO_N, AC coupled	1060	1100	1140	mV
<b>100Base-FX OUTPUT</b>					
Clock signal duty cycle at 625MHz	SO_P and SO_N, AC coupled			55	%
Vod fall time (20%-80%)	SO_P and SO_N, AC coupled			330	ps
Vod rise time (20%-80%)	SO_P and SO_N, AC coupled			330	ps
Jitter	SO_P and SO_N, AC coupled			192	ps
Output Differential Voltage	SO_P and SO_N, AC coupled	450		910	mV
<b>SGMII OUTPUT</b>					
Clock signal duty cycle at 625MHz	SO_P and SO_N, AC coupled, 0101010101 pattern	48		52	%
Vod fall time (20%-80%)	SO_P and SO_N, AC coupled, 0101010101 pattern	100		200	ps
Vod rise time (20%-80%)	SO_P and SO_N, AC coupled, 0101010101 pattern	100		200	ps
Output Jitter	SO_P and SO_N, AC coupled			300	ps
Output Differential Voltage	SO_P and SO_N, AC coupled	1060	1100	1140	mV
<b>IEEE Tx CONFORMANCE (1000BaseT)</b>					
Output Differential Voltage	Normal Mode, All channels	0.67	0.745	0.82	V
<b>IEEE Tx CONFORMANCE (100BaseTx)</b>					
Output Differential Voltage	Normal Mode, Channels A and B	0.95	1.00	1.05	V
<b>IEEE Tx CONFORMANCE (10BaseTe)</b>					
Output Differential Voltage			1.75		V

## 6.5 Electrical Characteristics (continued)

over operating free-air temperature range (unless otherwise noted)<sup>(1)</sup>

PARAMETER		TEST CONDITIONS	MIN	TYP	MAX	UNIT
<b>POWER CONSUMPTION Copper mode (100m cable)</b>						
Total	RGMII to Copper (1G)	Room Temperature, Nominal supply voltages		483		mW
	RGMII to Copper (100M)			215		mW
	RGMII to Copper (10M)			260		mW
	MII to Copper (100M)			212		mW
	MII to Copper (10M)			261		mW
	SGMII to Copper (1G)			496		mW
	SGMII to Copper (100M)			251		mW
	SGMII to Copper (10M)			294		mW
I(1V1)	RGMII to Copper (1G)	Room Temperature, 1.1V supply voltage		131	195	mA
	RGMII to Copper (100M)			47	110	mA
	RGMII to Copper (10M)			37	100	mA
	MII to Copper (100M)			43	110	mA
	MII to Copper (10M)			36	95	mA
	SGMII to Copper (1G)			141	220	mA
	SGMII to Copper (100M)			60	125	mA
	SGMII to Copper (10M)			50	112	mA
I(1V8)	RGMII to Copper (1G)	Room Temperature, 1.8V supply voltage		52	55	mA
	RGMII to Copper (100M)			21	26	mA
	RGMII to Copper (10M)			11	15	mA
	MII to Copper (100M)			21	26	mA
	MII to Copper (10M)			10	15	mA
	SGMII to Copper (1G)			55	60	mA
	SGMII to Copper (100M)			24	28	mA
	SGMII to Copper (10M)			14	18	mA
I(2V5)	RGMII to Copper (1G)	Room Temperature, 2.5V supply voltage		86	100	mA
	RGMII to Copper (100M)			46	50	mA
	RGMII to Copper (10M)			76	90	mA
	MII to Copper (100M)			45	52	mA
	MII to Copper (10M)			78	92	mA
	SGMII to Copper (1G)			93	100	mA
	SGMII to Copper (100M)			53	58	mA
	SGMII to Copper (10M)			82	95	mA
I(VDDIO =3.3V)	RGMII to Copper (1G)	Room Temperature, 3.3V supply voltage		30	80	mA
	RGMII to Copper (100M)			13	22	mA
	RGMII to Copper (10M)			10	16	mA
	MII to Copper (100M)			15	66	mA
	MII to Copper (10M)			11	38	mA
	SGMII to Copper (1G)			10	16	mA
	SGMII to Copper (100M)			10	16	mA
	SGMII to Copper (10M)			10	16	mA

## 6.5 Electrical Characteristics (continued)

over operating free-air temperature range (unless otherwise noted)<sup>(1)</sup>

PARAMETER		TEST CONDITIONS	MIN	TYP	MAX	UNIT
I(VDDIO =1.8V)	RGMII to Copper (1G)	Room Temperature, 1.8V supply voltage		17	30	mA
	RGMII to Copper (100M)			6	12	mA
	RGMII to Copper (10M)			5	10	mA
	MII to Copper (100M)			8	15	mA
	MII to Copper (10M)			5	10	mA
	SGMII to Copper (1G)			5	10	mA
	SGMII to Copper (100M)			5	10	mA
	SGMII to Copper (10M)			5	10	mA
<b>POWER CONSUMPTION Fiber mode</b>						
Total	RGMII to 1000Base-X	Room Temperature, Nominal supply voltages		142		mW
	RGMII to 100Base-FX			111		mW
	MII to 100Base-FX			107		mW
I(1V1)	RGMII to 1000Base-X	Room Temperature, 1.1V supply voltage		52		mA
	RGMII to 100Base-FX			44		mA
	MII to 100Base-FX			41.8		mA
I(1V8)	RGMII to 1000Base-X	Room Temperature, 1.8V supply voltage		14		mA
	RGMII to 100Base-FX			14		mA
	MII to 100Base-FX			12		mA
I(2V5)	RGMII to 1000Base-X	Room Temperature, 2.5V supply voltage		11		mA
	RGMII to 100Base-FX			10		mA
	MII to 100Base-FX			10		mA
I(VDDIO =3.3V)	RGMII to 1000Base-X	Room Temperature, 3.3V supply voltage		32		mA
	RGMII to 100Base-FX			14		mA
	MII to 100Base-FX			16		mA
I(VDDIO =1.8V)	RGMII to 1000Base-X	Room Temperature, 1.8V supply voltage		18		mA
	RGMII to 100Base-FX			7		mA
	MII to 100Base-FX			8		mA
<b>POWER CONSUMPTION R2S mode</b>						
Total	RGMII to SGMII (1G)	Room Temperature, Nominal supply voltages		142		mW
	RGMII to SGMII (100M)			120		mW
	RGMII to SGMII (10M)			117		mW
I(1V1)	RGMII to SGMII (1G)	Room Temperature, 1.1V supply voltage		52		mA
	RGMII to SGMII (100M)			50		mA
	RGMII to SGMII (10M)			49		mA
I(1V8)	RGMII to SGMII (1G)	Room Temperature, 1.8V supply voltage		14		mA
	RGMII to SGMII (100M)			13		mA
	RGMII to SGMII (10M)			14		mA
I(2V5)	RGMII to SGMII (1G)	Room Temperature, 2.5V supply voltage		11		mA
	RGMII to SGMII (100M)			11		mA
	RGMII to SGMII (10M)			11		mA
I(VDDIO =3.3V)	RGMII to SGMII (1G)	Room Temperature, 3.3V supply voltage		32		mA
	RGMII to SGMII (100M)			15		mA
	RGMII to SGMII (10M)			12		mA

## 6.5 Electrical Characteristics (continued)

over operating free-air temperature range (unless otherwise noted)<sup>(1)</sup>

PARAMETER		TEST CONDITIONS	MIN	TYP	MAX	UNIT
I(VDDIO = 1.8V)	RGMII to SGMII (1G)	Room Temperature, 1.8V supply voltage		18		mA
	RGMII to SGMII (100M)			8		mA
	RGMII to SGMII (10M)			6		mA
<b>POWER CONSUMPTION S2R mode</b>						
Total	SGMII to RGMII (1G)	Room Temperature, Nominal supply voltages		142		mW
	SGMII to RGMII (100M)			121		mW
	SGMII to RGMII (10M)			117		mW
I(1V1)	SGMII to RGMII (1G)	Room Temperature, 1.1V supply voltage		52		mA
	SGMII to RGMII (100M)			49		mA
	SGMII to RGMII (10M)			49		mA
I(1V8)	SGMII to RGMII (1G)	Room Temperature, 1.8V supply voltage		14		mA
	SGMII to RGMII (100M)			14		mA
	SGMII to RGMII (10M)			14		mA
I(2V5)	SGMII to RGMII (1G)	Room Temperature, 2.5V supply voltage		11		mA
	SGMII to RGMII (100M)			11		mA
	SGMII to RGMII (10M)			11		mA
I(VDDIO = 3.3V)	SGMII to RGMII (1G)	Room Temperature, 3.3V supply voltage		33		mA
	SGMII to RGMII (100M)			16		mA
	SGMII to RGMII (10M)			13		mA
I(VDDIO = 1.8V)	SGMII to RGMII (1G)	Room Temperature, 1.8V supply voltage		18		mA
	SGMII to RGMII (100M)			8		mA
	SGMII to RGMII (10M)			6		mA
<b>POWER CONSUMPTION Cu-Fiber mode (100m cable)</b>						
Total	1000Base-TX to 1000Base-FX	Room Temperature, Nominal supply voltage		495		mW
	100Base-TX to 100Base-FX			243		mW
I(1V1)	1000Base-TX to 1000Base-FX	Room Temperature, 1.1V supply voltage		142		mA
	100Base-TX to 100Base-FX			55		mA
I(1V8)	1000Base-TX to 1000Base-FX	Room Temperature, 1.8V supply voltage		55		mA
	100Base-TX to 100Base-FX			24		mA
I(2V5)	1000Base-TX to 1000Base-FX	Room Temperature, 2.5V supply voltage		93		mA
	100Base-TX to 100Base-FX			52		mA
I(VDDIO = 3.3V)	1000Base-TX to 1000Base-FX	Room Temperature, 3.3V supply voltage		9		mA
	100Base-TX to 100Base-FX			10		mA
I(VDDIO = 1.8V)	1000Base-TX to 1000Base-FX	Room Temperature, 1.8V supply voltage		4		mA
	100Base-TX to 100Base-FX			5		mA
<b>POWER CONSUMPTION Low power modes</b>						
Total	IEEE Power Down	Room Temperature, Nominal Voltages		76		mW
	Active Sleep			165		mW
	RESET			82		mW
<b>BOOTSTRAP DC CHARACTERISTICS (4 Level) (PHY address pins)</b>						
V <sub>MODE0</sub>	Mode 0 Strap Voltage Range		0	0.093x VDDIO		V
V <sub>MODE1</sub>	Mode 1 Strap Voltage Range		0.136x VDDIO	0.184x VDDIO		V

## 6.5 Electrical Characteristics (continued)

over operating free-air temperature range (unless otherwise noted)<sup>(1)</sup>

PARAMETER		TEST CONDITIONS	MIN	TYP	MAX	UNIT
V <sub>MODE2</sub>	Mode 2 Strap Voltage Range		0.219x VDDIO	0.280x VDDIO		V
V <sub>MODE3</sub>	Mode 3 Strap Voltage Range		0.6x VDDIO	0.888x VDDIO		V
<b>BOOTSTRAP DC CHARACTERISTICS (2 Level)</b>						
V <sub>MODE0</sub>	Mode 0 Strap Voltage Range		0	0.18x VDDIO		V
V <sub>MODE1</sub>	Mode 1 Strap Voltage Range		0.5x VDDIO	0.88x VDDIO		V
<b>IO CHARACTERISTICS</b>						
V <sub>IH</sub>	High Level Input Voltage	VDDIO = 3.3V ±5%	2			V
V <sub>IL</sub>	Low Level Input Voltage	VDDIO = 3.3V ±5%			0.8	V
V <sub>OH</sub>	High Level Output Voltage	I <sub>OH</sub> = -2mA, VDDIO = 3.3V ±5%	2.4			V
V <sub>OL</sub>	Low Level Output Voltage	I <sub>OL</sub> = 2mA, VDDIO = 3.3V ±5%			0.4	V
V <sub>IH</sub>	High Level Input Voltage	VDDIO = 2.5V ±5%	1.7			V
V <sub>IL</sub>	Low Level Input Voltage	VDDIO = 2.5V ±5%			0.7	V
V <sub>OH</sub>	High Level Output Voltage	I <sub>OH</sub> = -2mA, VDDIO = 2.5V ±5%	2			V
V <sub>OL</sub>	Low Level Output Voltage	I <sub>OL</sub> = 2mA, VDDIO = 2.5V ±5%			0.4	V
V <sub>IH</sub>	High Level Input Voltage	VDDIO = 1.8V ±5%	0.65*VD DIO			V
V <sub>IL</sub>	Low Level Input Voltage	VDDIO = 1.8V ±5%			0.35*VD DIO	V
V <sub>OH</sub>	High Level Output Voltage	I <sub>OH</sub> = -2mA, VDDIO = 1.8V ±5%	VDDIO-0 .45			V
V <sub>OL</sub>	Low Level Output Voltage	I <sub>OL</sub> = 2mA, VDDIO = 1.8V ±5%			0.45	V
I <sub>IH</sub>	Input High Current	T <sub>A</sub> = -40°C to 125°C, VIN=VDDIO	-20		20	μA
I <sub>IL</sub>	Input Low Current	T <sub>A</sub> = -40°C to 125°C, VIN=GND	-20		20	μA
I <sub>ozh</sub>	Tri-state Output High Current	T <sub>A</sub> = -40°C to 125°C, VOUT=VDDIO	-20		20	μA
I <sub>ozl</sub>	Tri-state Output Low Current	T <sub>A</sub> = -40°C to 125°C, VOUT=GND	-20		20	μA
R <sub>pulldn</sub>	Internal Pull Down Resistor		6.75	9	11.25	kΩ
XI V <sub>IH</sub>	High Level Input Voltage		1.2		VDDIO	V
XI V <sub>IL</sub>	Low Level Input Voltage				0.6	V
C <sub>IN</sub>	Input Capacitance XI			1		pF
C <sub>IN</sub>	Input Capacitance INPUT PINS			5		pF
C <sub>OUT</sub>	Output Capacitance XO			1		pF
C <sub>OUT</sub>	Output Capacitance OUTPUT PINS			5		pF
R <sub>series</sub>	Integrated MAC Series Termination Resistor	RX_D[3:0], RX_ER, RX_DV, RX_CLK		50		Ω

(1) Specified by production test, characterization or design

## 6.6 Timing Requirements

PARAMETER		MIN	NOM	MAX	UNIT
<b>POWER-UP TIMING (2, 3 supply mode)</b>					
T1	Last Supply power up To Reset Release: External or via R-C network	200			ms
T2	Powerup to SMI ready: Post power-up stabilization time prior to MDC preamble for register access		200		ms

## 6.6 Timing Requirements (continued)

PARAMETER		MIN	NOM	MAX	UNIT
T3	Powerup to Strap latchin: Hardware configuration pins transition to output drivers		200		ms
<b>RESET TIMING</b>					
T1	Reset to SMI ready: Post reset stabilization time prior to MDC preamble for register access	30			us
T3	RESET PULSE Width: Mimumum Reset pulse width to be able to reset	720			ns
T4	Reset to FLP		1750		ms
T4	Reset to 100M signaling (strapped mode)		194		us
T4	Reset to 1G signaling (strapped mode)		194		us
T4	Reset to Fiber 100M signaling		248		us
T4	Reset to Fiber 1G ANEG signaling		235		us
T4	Reset to Fiber 1G Forced signaling		235		us
T4	Reset to MAC clock (Cu mode)		195		us
T4	Reset to MAC clock (Fi mode)		248		us
T4	Reset to MAC clock (S2R)		248		us
T4	Reset to MAC clock (R2S)		248		us
<b>COPPER LINK TIMING</b>					
T1	Loss of Idles to Link LED low in Fast link down mode (100M)		4.3	10	us
	Loss of Idles to Link LED low in Fast link down mode (1000M)		7	10	us
<b>MII TIMING (100M)</b>					
T1	TX_CLK High / Low Time	16	20	24	ns
T2	TX_D[3:0], TX_ER, TX_EN Setup to TX_CLK	10			ns
T3	TX_D[3:0], TX_ER, TX_EN Hold from TX_CLK	0			ns
T1	RX_CLK High / Low Time	16	20	24	ns
T2	RX_D[3:0], RX_ER, RX_DV Delay from RX_CLK rising	10		30	ns
<b>RGMII OUTPUT TIMING (1G)</b>					
T <sub>skewT</sub>	Data to Clock Output Skew (Non-Delay Mode)	-600		600	ps
T <sub>skewT(Delay)</sub>	Data to Clock Output Setup (Delay Mode)	1.4		2.6	ns
T <sub>setupT</sub>	Data to Clock Output Setup ( Delay Mode)	1.2			ns
T <sub>holdT</sub>	Data to Clock Output Hold ( Delay Mode)	1.2			ns
T <sub>cyc</sub>	Clock Cycle Duration	7.2	8	8.8	ns
	Duty Cycle	45	50	55	%
	Rise / Fall Time ( 20% to 80%)			0.75	ns
<b>RGMII INPUT TIMING (1G)</b>					
T <sub>setupR</sub>	TX data to clock input setup (Non-Delay Mode)	1			ns
T <sub>holdR</sub>	TX clock to data input hold (Non-Delay Mode)	1			ns
	TX data to clock input setup (Delay Mode, 2ns delay)	-1			ns
	TX clock to data input hold (Delay Mode, 2ns delay)	3			ns
<b>SMI TIMING</b>					
T1	MDC to MDIO (Output) Delay Time	0		10	ns
T2	MDIO (Input) to MDC Setup Time	10			ns
T3	MDIO (Input) to MDC Hold Time	10			ns
T4	MDC Frequency		2.5	25	MHz
<b>OUTPUT CLOCK TIMING (25MHz clockout)</b>					
	Frequency (PPM)	-100		100	-

### 6.6 Timing Requirements (continued)

PARAMETER		MIN	NOM	MAX	UNIT
	Duty Cycle	40		60	%
	Rise Time			5000	ps
	Fall Time			5000	ps
	Frequency		25		MHz
	Jitter (Long Term)			375	ps
<b>OUTPUT CLOCK TIMING (SyncE 125/5MHz recovered clock)</b>					
	Frequency (PPM)	-100		100	ppm
	Duty Cycle	40		60	%
	Rise time			2500	ps
	Fall Time			2500	ps
	Jitter (Long Term)			1000	ps
<b>25MHz INPUT CLOCK tolerance</b>					
	Frequency Tolerance	-100		+100	ppm
	Rise / Fall Time (10%-90%)			8	ns
	Jitter Tolerance (Accumulated : TIE over 100K cycles)		75		ps
	Duty Cycle	40		60	%
<b>TRANSMIT LATENCY TIMING</b>					
Copper	RGMII to Cu (100M): Rising edge TX_CLK with assertion TX_CTRL to SSD symbol on MDI		169		ns
Copper	RGMII to Cu (1G): Roundtrip Latency (Transmit + Receive)			384	ns
<b>RECEIVE LATENCY TIMING</b>					
Copper	Cu to RGMII (100M): SSD symbol on MDI to a) Rising edge of RX_DV with assertion of RX_CTRL b) Rising edge of RX_DV with assertion of RX_Dx		192		ns

### 6.7 Timing Diagrams

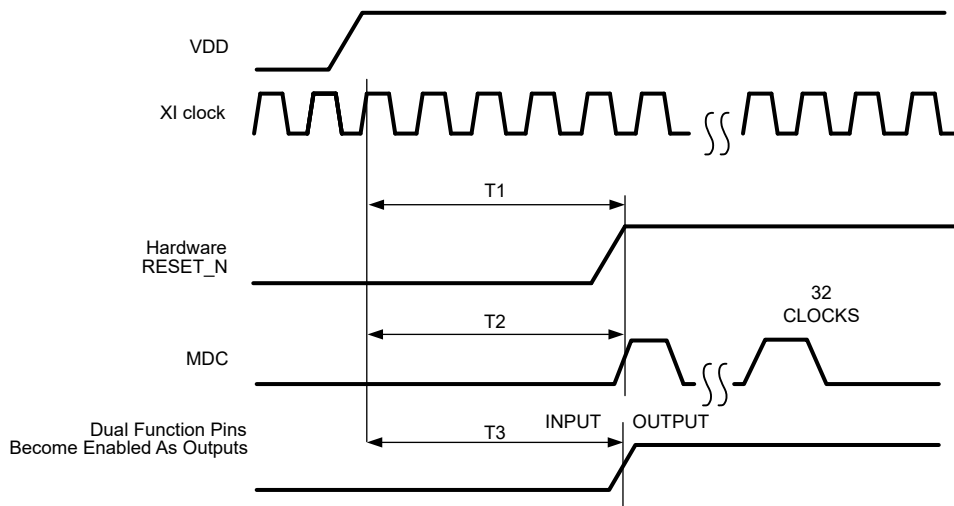
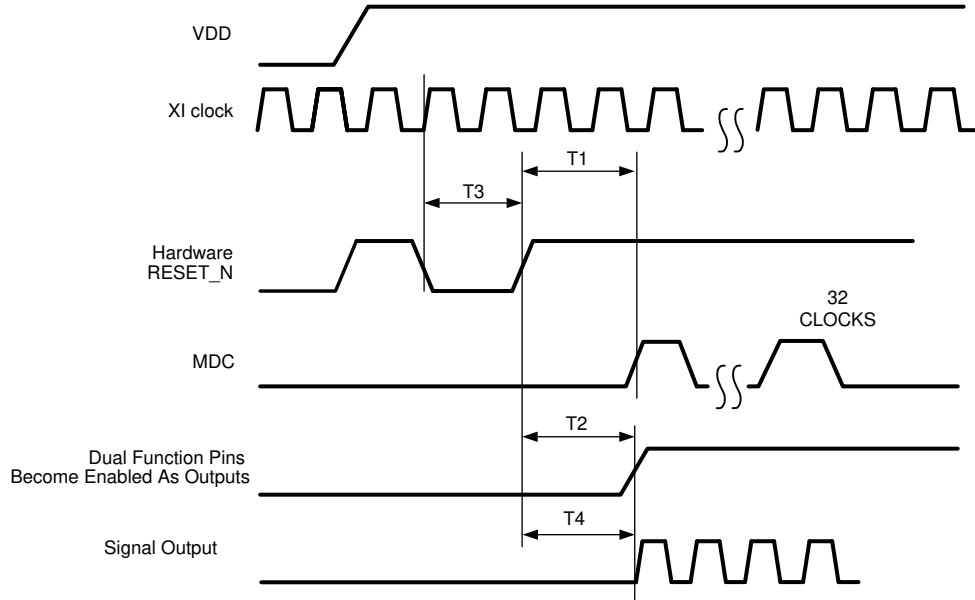
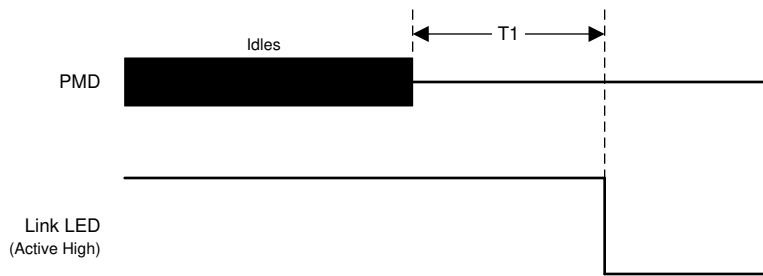


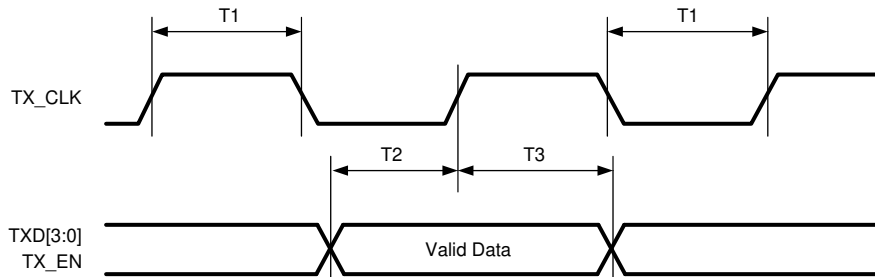
Figure 6-1. Power-Up Timing



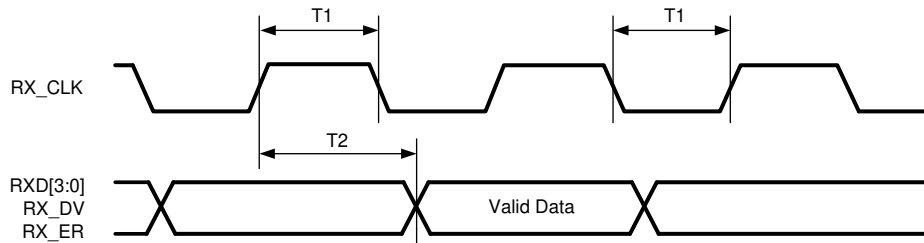
**Figure 6-2. Reset Timing**



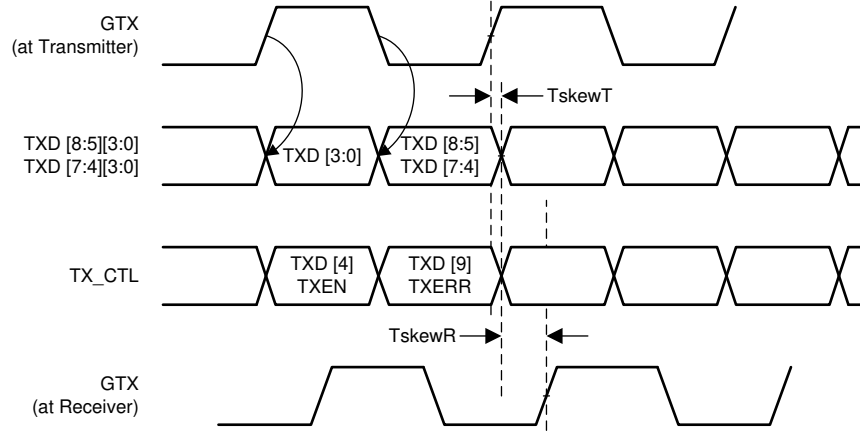
**Figure 6-3. Copper Link Timing**



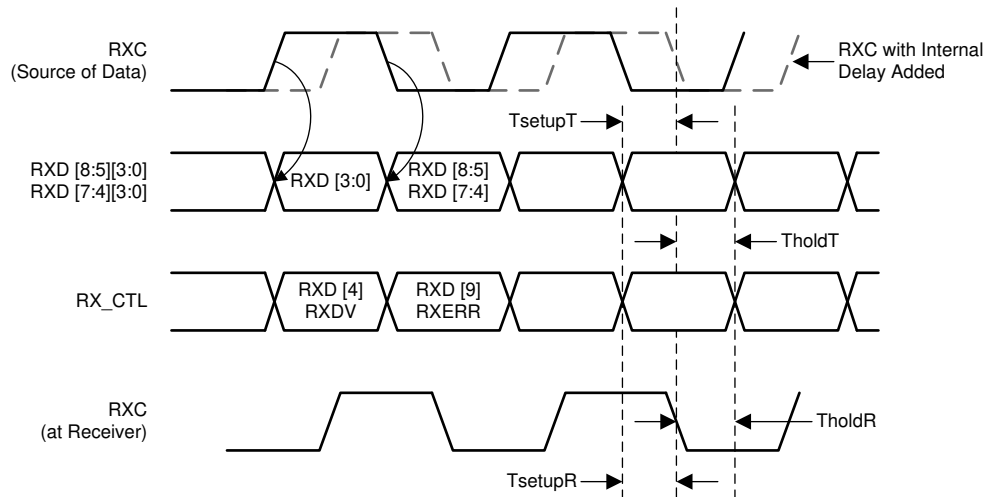
**Figure 6-4. 100Mbps MII Transmit Timing**



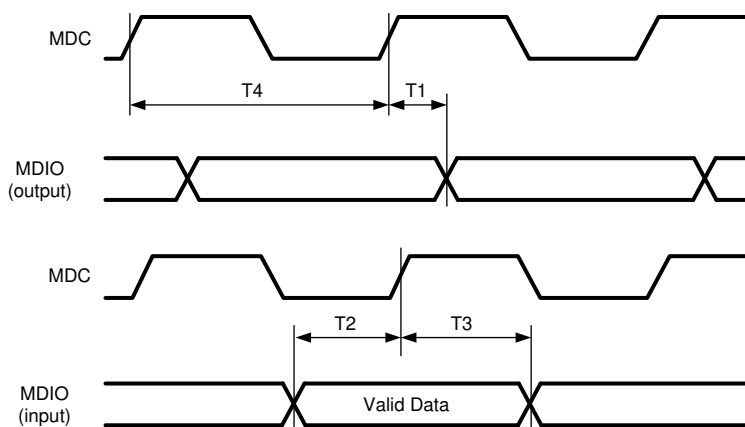
**Figure 6-5. 100Mbps MII Receive Timing**



**Figure 6-6. RGMII Transmit Multiplexing and Timing Diagram**

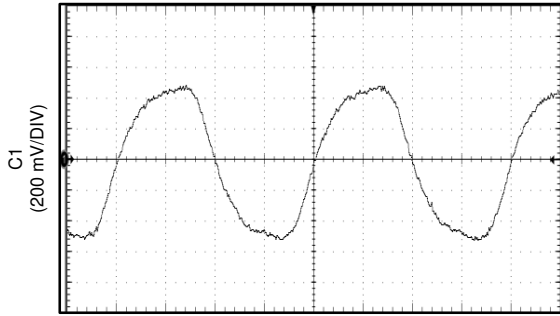


**Figure 6-7. RGMII Receive Multiplexing and Timing Diagram**



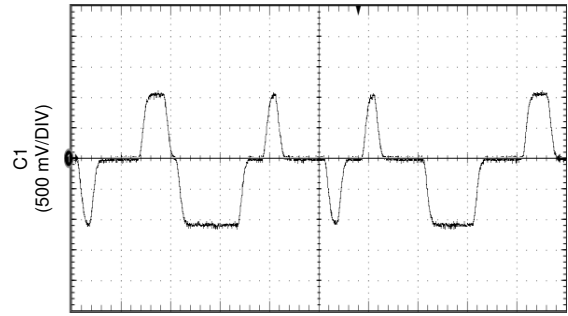
**Figure 6-8. Serial Management Interface Timing**

### 6.8 Typical Characteristics



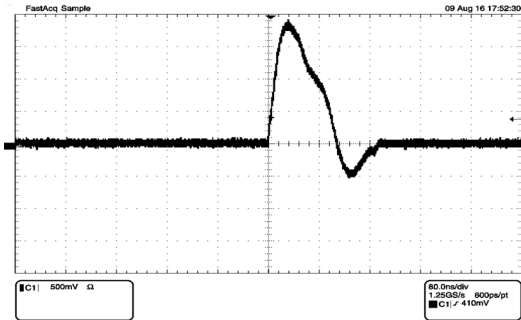
mV/Div                      ns/Div  
200mV                      4ns

**Figure 6-9. 1000Base-T Test Mode 2 Signal**



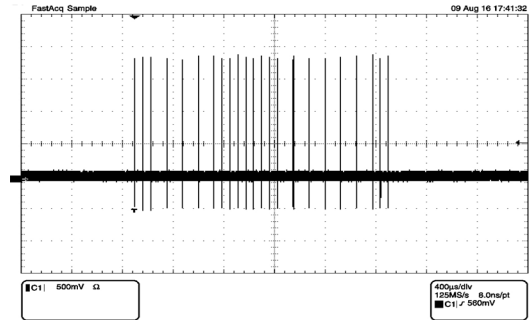
mV/Div                      ns/Div  
500mV                      32ns

**Figure 6-10. 100Base-TX Signal**



mV/Div                      ns/Div  
500mV                      80ns

**Figure 6-11. 10Base-Te Link Pulse**



mV/Div                      µs/Div  
500mV                      400µs

**Figure 6-12. Auto-Negotiation FLP**

## 7 Detailed Description

### 7.1 Overview

The DP83869HM is a fully-featured Gigabit Physical Layer transceiver with support for Fiber and Copper Ethernet standards. The DP83869HM can support IEEE802.3 10BASE-Te, 100BASE-TX, and 1000BASE-T Copper Ethernet protocols, along with 100BASE-FX and 1000BASE-X Fiber Ethernet protocols.

The DP83869HM is designed for easy implementation of 10Mbps, 100Mbps, and 1000Mbps Ethernet LANs. In Copper mode, the PHY can interface with twisted-pair media through magnetics. In Fiber Mode, the DP83869HM can interface with Fiber Optic Transceivers. This device interfaces directly to the MAC layer through the Reduced GMII (RGMII) or Serial GMII (SGMII). SGMII is available only in copper Ethernet mode. MII mode is supported for 10M and 100M speeds.

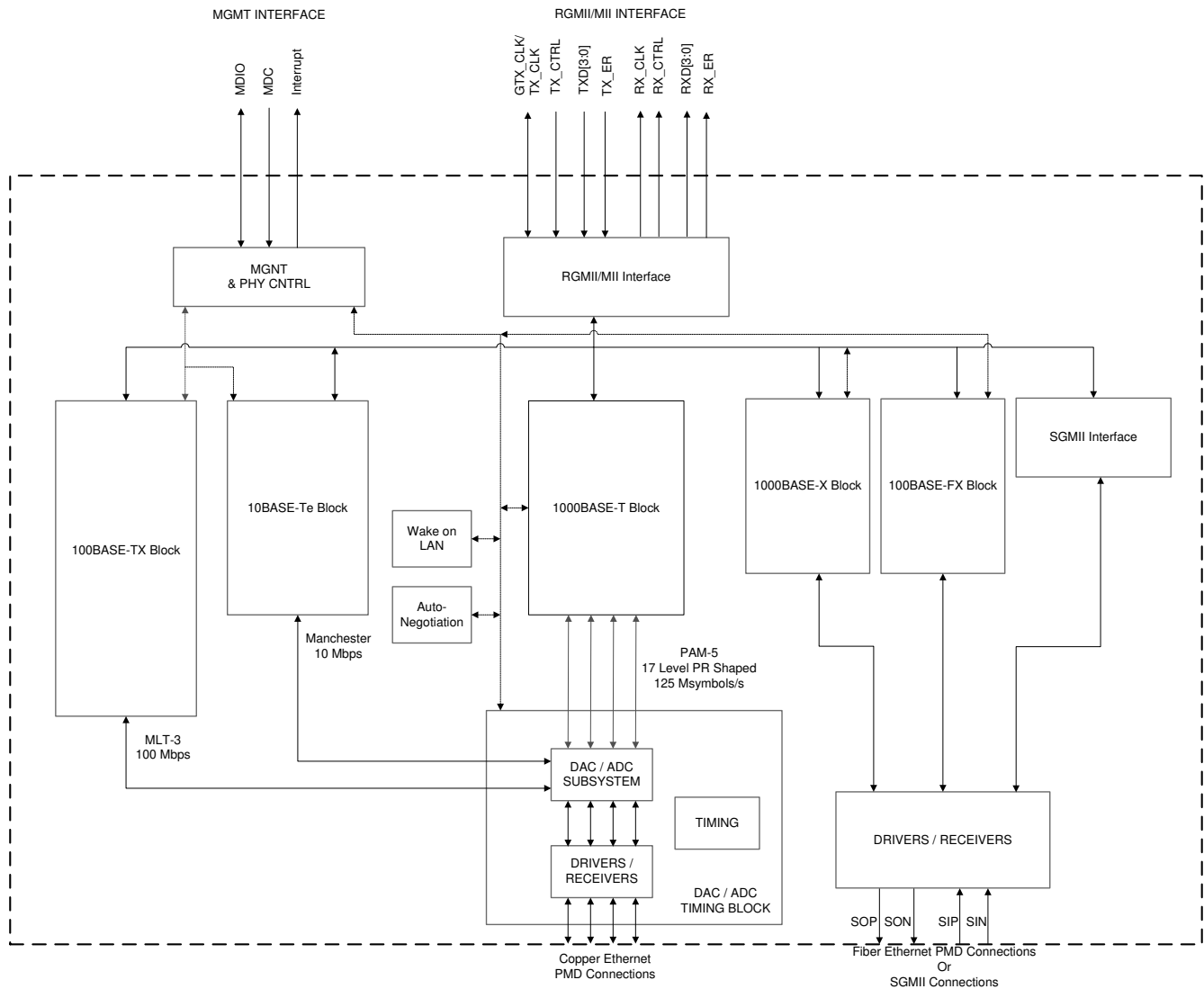
The DP83869HM supports media convertor mode to interface between copper and fiber Ethernet interface. Media convertor is available for 100M and 1000M speeds.

The DP83869HM can also support bridge mode to interface between SGMII and RGMII.

The DP83869HM offers low latency. This device provides IEEE 1588 Start of Frame Delimiter indication. The DP83869HM has option to provide recovered clock for synchronous Ethernet application.

The DP83869HM has a TDR cable diagnostic feature for fault detection on the Ethernet cable.

## 7.2 Functional Block Diagram



## 7.3 Feature Description

### 7.3.1 WoL (Wake-on-LAN) Packet Detection

Wake-on-LAN provides a mechanism to detect specific frames and notify the connected MAC through either a register status change, GPIO indication, or an interrupt flag. The WoL feature within the DP83869HM allows for connected devices placed above the Physical Layer to remain in a low power state until frames with the qualifying credentials are detected. Supported WoL frame types include: Magic Packet, Magic Packet with SecureOn, and Custom Pattern Match. When a qualifying WoL frame is received, the DP83869HM WoL logic circuit is able to generate a user-defined event (either pulses or level change) through any of the GPIO pins or a status interrupt flag to inform a connected controller that a wake event has occurred.

The Wake-on-LAN feature includes the following functionality:

- Identification of magic packets in all supported speeds
- Wake-up interrupt generation upon receiving a valid magic packet
- CRC checking of magic packets to prevent interrupt generation for invalid packets

In addition to the basic magic packet support, the DP83869HM also supports:

- Magic packets that include a SecureOn password

- Pattern match – one configurable 64-byte pattern of that can wake up the MAC similar to magic packet
- Independent configuration for Wake on Broadcast and Unicast packet types.

**Note**

The [DP838xx Wake-on-LAN application note](#) provides further details and examples of Wake-on-LAN.

**7.3.1.1 Magic Packet Structure**

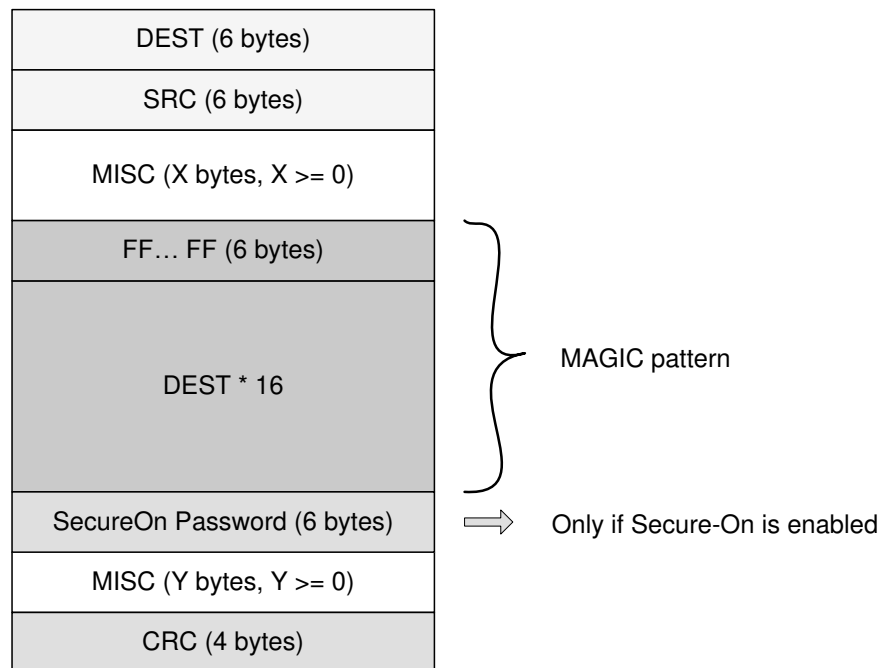
When configured for Magic Packet mode, the DP83869HM scans all incoming frames addressed to the node for a specific data sequence. This sequence identifies the frame as a Magic Packet frame.

**Note**

The Magic Packet must be byte aligned.

A Magic Packet frame must also meet the basic requirements for the LAN technology chosen, such as SOURCE ADDRESS, DESTINATION ADDRESS (which can be the receiving station’s IEEE address or a BROADCAST address), and CRC.

The specific Magic Packet sequence consists of 16 duplications of the IEEE address of this node, with no breaks or interruptions, followed by a SecureOn password if security is enabled. This sequence can be located anywhere within the packet, but must be preceded by a synchronization stream. The synchronization stream is defined as 6 bytes of FFh.



**Figure 7-1. Magic Packet Structure**

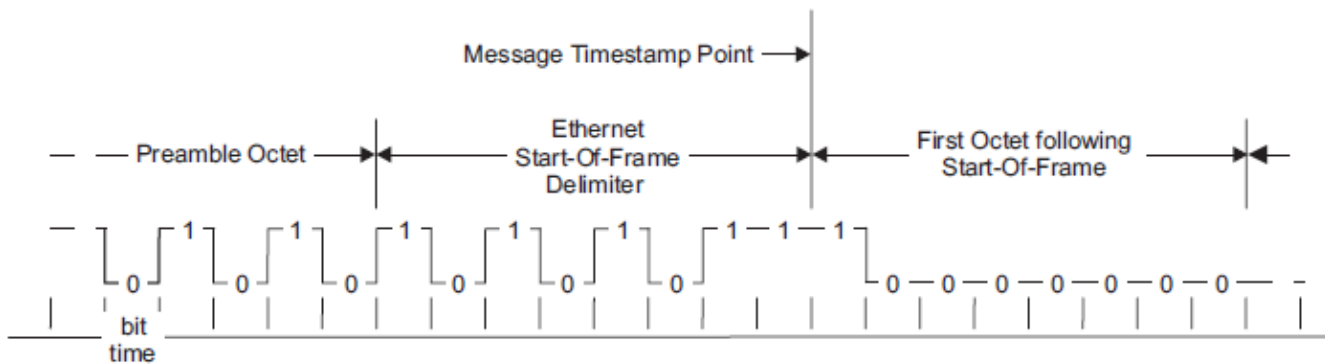
**7.3.1.2 Wake-on-LAN Configuration and Status**

**Table 7-1. Magic Packet Detection Registers**

REGISTER NAME	DP83869 ADDRESS
Receive Configuration Register	Reg 0x134
Receive Status Register	Reg 0x135
MAC Destination Address Registers	Reg 0x136-0x138
Receive Secure-ON Password Registers	Reg 0x139-0x13B
Byte Mask	Reg 0x15C-0x15F

**7.3.2 Start of Frame Detect for IEEE 1588 Time Stamp**

The DP83869HM supports an IEEE 1588 indication pulse at the SFD (start frame delimiter) for the receive and transmit paths. The pulse can be delivered to various pins. The pulse indicates the actual time the symbol is presented on the lines (for transmit), or the first symbol received (for receive). The exact timing of the pulse can be adjusted through register with 8ns increment using register 50h bits [9:7] for RX and [6:4] for TX.



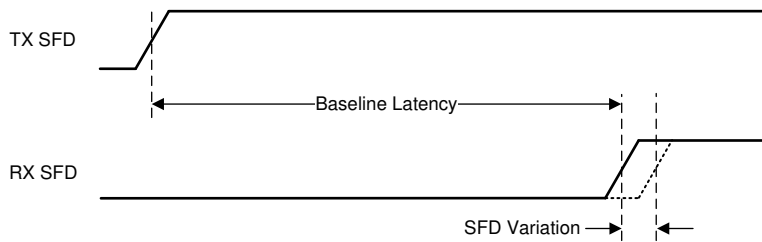
**Figure 7-2. IEEE 1588 Message Timestamp Point**

The SFD pulse output can be configured using the GPIO Mux Control register GPIO\_MUX\_CTRL (register address 1E0h). The ENHANCED\_MAC\_SUPPORT bit in RXCFG (register address 134h) must also be set to allow output of the SFD.

**7.3.2.1 SFD Latency Variation and Determinism**

Time stamping packet transmission and reception using the RX\_CTRL and TX\_CTRL signals of RGMII is not accurate enough for latency sensitive protocols. SFD pulses offers system designers a method to improve the accuracy of packet time stamping. The SFD pulse, while varying less than RGMII signals inherently, still exhibits latency variation due to the defined architecture of 1000BASE-T. This section provides a method to determine when an SFD latency variation has occurred and how to compensate for the variation in system software to improve timestamp accuracy.

In the following section the terms baseline latency and SFD variation are used. Baseline latency is the time measured between the TX\_SFD pulse to the RX\_SFD pulse of a connected link partner, assuming an Ethernet cable with all 4 pairs perfectly matched in propagation time. In the scenario where all 4 pairs being perfectly matched, a 1000BASE-T PHY do not have to align the 4 received symbols on the wire and do not introduce extra latency due to alignment.



**Figure 7-3. Baseline Latency and SFD Variation in Latency Measurement**

SFD variation is additional time added to the baseline latency before the RX\_SFD pulse when the PHY must introduce latency to align the 4 symbols from the Ethernet cable. Variation can occur when a new link is established either by cable connection, auto-negotiation restart, PHY reset, or other external system effects. During a single, uninterrupted link, the SFD variation remains constant.

The DP83869HM can limit and report the variation applied to the SFD pulse while in the 1000Mb operating mode. Before a link is established in 1000Mb mode, the Sync FIFO Control Register (register address E9h) must be set to value 0xDF22. The below SFD variation compensation method can only be applied after the Sync FIFO Control Register has been initialized and a new link has been established. Setting the Sync FIFO Control register value and then performing a software restart by setting the SW\_RESTART bit[14] in the Control Register (register address 1Fh) if a link is already present is acceptable.

#### 7.3.2.1.1 1000Mb SFD Variation in Leader Mode

When the DP83869HM is operating in 1000Mb leader mode, variation of the RX\_SFD pulse can be estimated using the Skew FIFO Status register (register address 55h) bit[7:4]. The value read from the Skew FIFO Status register bit[7:4] must be multiplied by 8ns to estimate the RX\_SFD variation added to the baseline latency.

Example: While operating in leader 1000Mb mode, a value of 0x2 is read from the Skew FIFO register bit[7:4].  $2 \times 8\text{ns} = 16\text{ns}$  is subtracted from the TX\_SFD to RX\_SFD measurement to determine the baseline latency.

#### 7.3.2.1.2 1000Mb SFD Variation in Follower Mode

When the DP83869HM is operating in 1000Mb follower mode, the variation of the RX\_SFD pulse can be determined using the Skew FIFO Status register (register address 55h) bit[3:0]. The value read from the Skew FIFO Status register bit[3:0] must be multiplied by 8ns to estimate the RX\_SFD variation added to the baseline latency.

Example: While operating in follower 1000Mb mode, a value of 0x1 is read from the Skew FIFO register bit[3:0].  $1 \times 8\text{ns} = 8\text{ns}$  is subtracted from the TX\_SFD to RX\_SFD measurement to determine the baseline latency.

#### 7.3.2.1.3 100Mb SFD Variation

The latency variation in 100Mb mode of operation is determined by random process and does not require any register readout or system level compensation of SFD pulses.

### 7.3.3 Clock Output

The DP83869HM has several internal clocks, including the local reference clock, the Ethernet transmit clock, and the Ethernet receive clock. An external crystal or oscillator provides the stimulus for the local reference clock. The local reference clock acts as the central source for all clocking in the device.

The local reference clock is embedded into the transmit network packet traffic and is recovered from the network packet traffic at the receiver node. The receive clock is recovered from the received Ethernet packet data stream and is locked to the transmit clock in the partner.

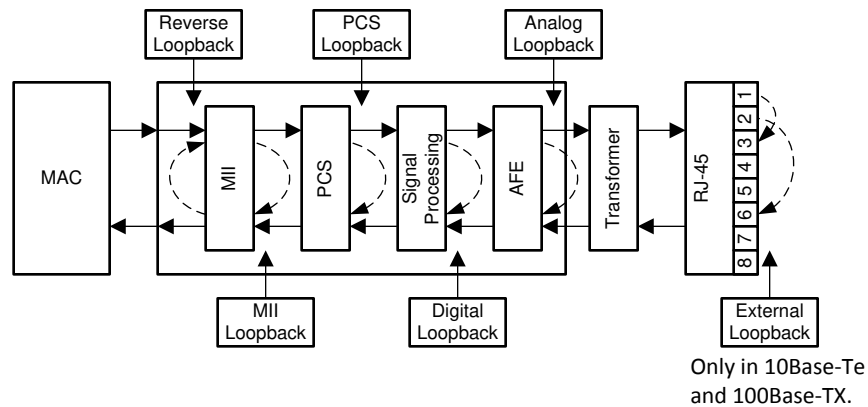
Using the I/O Configuration register (address 170h), the DP83869HM can be configured to output these internal clocks through the CLK\_OUT pin. By default, the output clock is synchronous to the XI oscillator / crystal input. The default output clock is designed for use as the reference clock of another DP83869HM device. Through registers, the output clock can be configured to be synchronous to the receive data at the 125MHz data rate or at the divide by 5 rate of 25MHz. The output clock can also be configured to output the line driver transmit clock.

When operating in 1000Base-T mode, the output clock can be configured for any of the four transmit or receive channels.

Please note that when clock output of DP83869HM is being used as a clock input for another device, for example two DP83869HM in daisy chain, then the primary DP83869HM must not be reset via the RESET pin. If reset is required, then reset must be performed via software. The output clock can be disabled using the CLK\_O\_DISABLE bit of the I/O Configuration register.

### 7.3.4 Loopback Mode

There are several options for Loopback that test and verify various functional blocks within the PHY. Enabling loopback mode allows in-circuit testing of the digital and analog data paths. Generally, the DP83869HM can be configured to one of the Near-end loopback modes or to the Far-end (reverse) loopback. MII Loopback is configured using the BMCR (register address 0h). All other loopback modes are enabled using the BIST\_CONTROL (register address 16h). Except where otherwise noted, loopback modes are supported for all speeds (10/100/1000) and all MAC interfaces (SGMII and RGMII).



**Figure 7-4. Loopbacks**

#### 7.3.4.1 Near-End Loopback

Near-end loopback provides the ability to loop the transmitted data back to the receiver through the digital or analog circuitry. The point at which the signal is looped back is selected using loopback control bits with several options being provided.

When configuring loopback modes, the Loopback Configuration Register (LOOPCR), address FEh, must be set to 0xE720.

To maintain the desired operating mode, Auto-Negotiation must be disabled before selecting the Near-End Loopback mode. This constraint does not apply for external-loopback mode.

Auto-MDIX must be disabled before selecting the Near-End Loopback mode. MDI or MDIX configuration must be manually configured.

##### 7.3.4.1.1 MII Loopback

MII Loopback is the shallowest loop through the PHY. MII Loopback is a useful test mode to validate communications between the MAC and the PHY. While in MII Loopback mode, the data is looped back and can be configured through the register to transmit onto the media. In 100Base-TX mode after MII loopback is enabled through register 0h, write 0x4 to register 16h for proper operation of MII Loopback.

##### 7.3.4.1.2 PCS Loopback

PCS Loopback occurs in the PCS layer of the PHY. No signal processing is performed when using PCS Loopback.

### 7.3.4.1.3 Digital Loopback

Digital Loopback includes the entire digital transmit – receive path. Data is looped back prior to the analog circuitry.

### 7.3.4.1.4 Analog Loopback

Analog Loopback includes the entire analog transmit-receive path. For proper operation in Analog Loopback mode, attach 100Ω terminations to the copper side when operating in Copper mode and 100Ω termination on fiber side when operating in Fiber mode.

### 7.3.4.1.5 External Loopback

When operating in 10BASE-Te or 100Base-T mode, signals can be looped back at the RJ-45 connector by wiring the transmit pins to the receive pins. Due to the nature of the signaling in 1000Base-T mode, this type of external loopback is not supported. Analog loopback provides a way to loop data back in the analog circuitry when operating in 1000Base-T mode.

### 7.3.4.1.6 Far-End (Reverse) Loopback

Far-end (Reverse) Loopback is a special test mode to allow testing the PHY from the link-partner side. In this mode, data that is received from the link partner passes through the PHY's receiver is looped back at the MAC interface and is transmitted back to the link partner. While in Reverse Loopback mode, all data signals that come from the MAC are ignored. Through register configuration, data can also be transmitted onto the MAC Interface.

The availability of Loopback depends on the operational mode of the PHY. The Link Status in these loopback modes is also affected by the operational mode. [Table 7-2](#) lists out the exceptions where Loopbacks are not available.

**Table 7-2. Loopback Availability Exception**

OP MODE	LOOPBACK	EXCEPTION
Copper	PCS	10M
Fiber	MII	100M
	PCS	100M
	Analog	100M, 1000M
SGMII to RGMII	PCS	10M, 100M, 1000M
	Digital	10M, 100M, 1000M
	Analog	10M, 100M, 1000M
	External	10M, 100M, 1000M
RGMII to SGMII	PCS	10M, 100M, 1000M
	External	10M, 100M, 1000M
Media Convertor	MII	100M, 1000M
	Analog	100M on Fiber Interface
	External	100M on Fiber Interface
100M, 1000M on Copper Interface		

### 7.3.5 BIST Configuration

The device incorporates an internal PRBS Built-In Self Test (BIST) circuit to accommodate in-circuit testing or diagnostics. The BIST circuit can be used to test the integrity of the transmit and receive data paths. The BIST can be performed using both internal loopback (digital or analog) or external loopback using a cable fixture. The BIST simulates pseudo-random data transfer scenarios in format of real packets and Inter-Packet Gap (IPG) on the lines. The BIST allows full control of the packet lengths and of the IPG.

The BIST is implemented with independent transmit and receive paths, with the transmit block generating a continuous stream of a pseudo-random sequence. The device generates a 15-bit pseudo-random sequence for the BIST. The received data is compared to the generated pseudo-random data by the BIST Linear Feedback

Shift Register (LFSR) to determine the BIST pass or fail status. The number of error bytes that the PRBS checker received is stored in the PRBS\_TX\_CHK\_CTRL register (39h). The status of whether the PRBS checker is locked to the incoming receive bit stream, whether the PRBS has lost sync, and whether the packet generator is busy, can be read from the GEN\_STATUS2 register (17h). While the lock and sync indications are required to identify the beginning of proper data reception, for any link failures or data corruption, the best indication is the contents of the error counter in the PRBS\_TX\_CHK\_CTRL register (39h). The number of received bytes are stored in PRBS\_TX\_CHK\_BYTE\_CNT (3Ah).

The PRBS test can be put in a continuous mode by using the BIST\_CONTROL register (16h). In continuous mode, when one of the PRBS counters reaches the maximum value, the counter starts counting from zero again. PRBS mode is not applicable in Bridge Modes and must not be used.

#### **BIST Configuration Example:**

1. Enable Digital Loopback
  - a. Write 0xE720 to register 0x00FE
  - b. Write 0x0140 to register 0x0000
  - c. Write 0x5028 to register 0x0010
  - d. Write 0x0004 to register 0x0016
2. Wait for link-up
  - a. PHY link status goes high, regardless if there is a cable connected or not.
3. Enable PRBS Transmit and checker towards copper
  - a. Write 0xF004 to register 0x00016
4. Wait for PRBS Lock
  - a. Wait for register 0x0017[11] to go high
5. Read the packet statistics
  - a. Write 0x0201 to register 0x0072 to latch the statistics
  - b. Read the registers below
    - i. 0x0071 (PRBS Byte Count)
    - ii. 0x0072 (bit[7:0] Error Count)
    - iii. 0x01A8 (Packet Count)
    - iv. 0x01A9 (Packet Count)

#### **7.3.6 Interrupt**

The DP83869HM can be configured to generate an interrupt when changes of internal status occur. The interrupt allows a MAC to act upon the status in the PHY without polling the PHY registers. The interrupt source can be selected through the interrupt registers, MICR (12h) and FIBER\_INT\_EN (C18h). The interrupt status can be read from ISR (13h) and FIBER\_INT\_STTS (C19h) registers. Some interrupts are enabled by default and can be disabled through register access. Both the interrupt status registers must be read to clear pending interrupts. New interrupts are not routed to the interrupt pin until the pending interrupts are cleared.

#### **7.3.7 Power-Saving Modes**

DP83869HM supports four power saving modes. The details are provided below.

##### **7.3.7.1 IEEE Power Down**

The PHY is powered down but access to the PHY through MDIO-MDC pins is retained. This mode can be activated by asserting external PWDN pin or by setting bit 11 of BMCR (Register 0h).

The PHY can be taken out of this mode by a power cycle, software reset, or by clearing the bit 11 in BMCR register. However, the external PWDN pin must be deasserted. If the PWDN pin is kept asserted then the PHY remains in power down.

### 7.3.7.2 Active Sleep

In this mode, all the digital and analog blocks are powered down. The PHY is automatically powered up when a link partner is detected. This mode is useful for saving power when the link partner is down or inactive, but PHY cannot be powered down. In Active Sleep mode, the PHY still routinely sends NLP to the link partner. This mode can be active by writing 10b to bits [9:8] for PHYCR (Register 10h). Sleep mode cannot be used when Auto-MDIX is on.

### 7.3.7.3 Passive Sleep

This is just like Active sleep except the PHY does not send NLP. This mode can be activated by writing 11b to bits [9:8] PHYCR (Register 10h). Sleep mode cannot be used when Auto-MDIX is on.

### 7.3.8 Mirror Mode

In some applications, the orientation of the cable connector can require Copper PMD traces to cross over each other. This complicates the board layout. The DP83869HM can resolve this issue by implementing mirroring of the ports inside the device.

In 10/100 operation, the mapping of the port mirroring is shown in [Table 7-3](#). When using mirror mode in 100Mbps mode, TI recommends that the user read register 0xA1 and write the same value in register A0h.

**Table 7-3. Mirror Port Configurations in 10/100 Operation**

MDI MODE	MIRROR PORT CONFIGURATION
MDI	A → D
	B → C
MDIX	A → D
	B → C

In Gigabit operation, the mapping of the port mirroring is shown in [Table 7-4](#).

**Table 7-4. Mirror Port Configurations in Gigabit Operation**

MDI MODE	MIRROR PORT CONFIGURATION
MDI or MDIX	A → D
	B → C
	C → B
	D → A

Mirror mode can be enabled through strap or through register configuration using the Port Mirror Enable bit in the CFG4 register (address 31h). In Mirror mode, the polarity of the signals is also reversed.

### 7.3.9 Speed Optimization

Speed optimization, also known as link downshift, enables fallback to 100M operation after multiple consecutive failed attempts at Gigabit link establishment. Such a case can occur if cabling with only four wires (two twisted pairs) are connected instead of the standard cabling with eight wires (four twisted pairs).

The number of failed link attempts before falling back to 100M operation is configurable. By default, four failed link attempts are required before falling back to 100M.

In enhanced mode, fallback to 100M can occur after one failed link attempt if energy is not detected on the C and D channels. Speed optimization also supports fallback to 10M if link establishment fails in Gigabit and in 100M mode.

Speed optimization can be enabled through register configuration.

### 7.3.10 Cable Diagnostics

With the vast deployment of Ethernet devices, the need for reliable, comprehensive and user-friendly cable diagnostic tool is more important than ever. The wide variety of cables, topologies, and connectors deployed

results in the need to non-intrusively identify and report cable faults. The DP83869HM offers Time Domain Reflectometry (TDR) for Cable Diagnostics.

### 7.3.10.1 TDR

The DP83869HM uses Time Domain Reflectometry (TDR) to determine the quality of the cables, connectors, and terminations in addition to estimating the cable length. Some of the possible problems that can be diagnosed include opens, shorts, cable impedance mismatch, bad connectors, termination mismatches, cross faults, cross shorts, and any other discontinuities along the cable.

The DP83869HM transmits a test pulse of known amplitude down each of the two pairs of an attached cable. The transmitted signal continues down the cable and reflects from each cable imperfection, fault, bad connector, and from the end of the cable. After the pulse transmission, the DP83869HM measures the return time and amplitude of all these reflected pulses. This technique enables measuring the distance and magnitude (impedance) of non-terminated cables (open or short), discontinuities (bad connectors), improperly-terminated cables, and crossed pairs wires with  $\pm 1\text{m}$  accuracy.

The DP83869HM also uses data averaging to reduce noise and improve accuracy. The DP83869HM can record up to five reflections within the tested pair. If more than 5 reflections are recorded, the DP83869HM saves the first 5 of them. If a cross fault is detected, the TDR saves the first location of the cross fault and up to 4 reflections in the tested channel. The DP83869HM TDR can measure cables beyond 100m in length.

For all TDR measurements, the transformation between time of arrival and physical distance is done by the external host using minor computations (such as multiplication, addition, and lookup tables). The host must know the expected propagation delay of the cable, which depends, among other things, on the cable category (for example, CAT5, CAT5e, or CAT6).

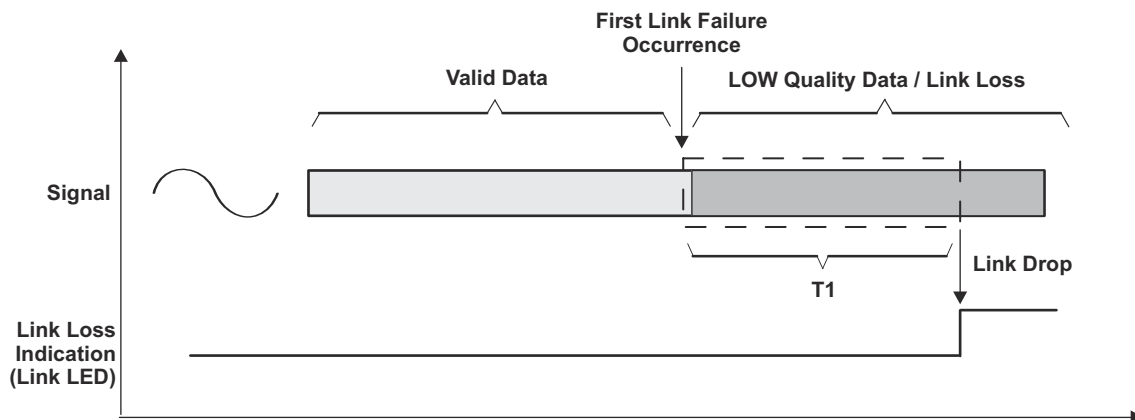
TDR measurement is allowed in the DP83869HM in the following scenarios:

- While Link partner is disconnected – cable is unplugged at the other side
- Link partner is connected but remains *quiet* (for example, in power-down mode)
- TDR can be automatically activated when the link fails or is dropped by setting bit 7 of register 9h (CFG1).  
The results of the TDR run after the link fails are saved in the TDR registers.

Software can read these registers at any time to apply post processing on the TDR results. This mode is designed for cases when the link is dropped due to cable disconnections. After a link failure, for instance, the line is quiet to allow a proper function of the TDR.

### 7.3.11 Fast Link Drop

The DP83869HM includes advanced link-down capabilities that support various real-time applications. The link down mechanism is configurable and includes enhanced modes that allow extremely fast reaction times to link drops.



**Figure 7-5. Fast Link Drop Mechanism**

As described in [Figure 7-5](#), the link loss mechanism is based on a time window search period in which the signal behavior is monitored. The T1 window is set by default to reduce typical link drops to less than 1ms in 100M and 0.5ms in 1000M mode.

The DP83869HM supports enhanced modes that shorten the window called Fast Link Down mode. In this mode, the T1 window is shortened significantly, in most cases less than 10 $\mu$ s. In this period of time, there are several criteria allowed to generate link loss event and drop the link:

1. Loss of descrambler sync
2. Receive errors
3. MLT3 errors
4. Mean Squared Error (MSE)
5. Energy loss

The Fast Link Down functionality allows the use of each of these options separately or in any combination. Note that because this mode enables extremely quick reaction time, the device is more exposed to temporary bad link quality scenarios.

### 7.3.12 Jumbo Frames

Conventional Ethernet frames have a maximum size of about 1518 bytes. Jumbo Frames are special packets with size higher than 1518 bytes, often ranging into several thousands of bytes. Jumbo frames allow Ethernet systems to transfer large chunks of data in a single frame reducing the processor overhead and increasing bandwidth efficiency. DP83869 supports Jumbo frames in 1000Mbps and 100Mbps speeds.

## 7.4 Device Functional Modes

### 7.4.1 Copper Ethernet

#### 7.4.1.1 1000BASE-T

The DP83869HM supports the 1000BASE-T standard as defined by the IEEE 802.3 standard. In 1000M mode, the PHY uses four MDI channels for communication. The 1000BASE-T can work in Auto-Negotiation mode. The PHY can be configured in 1000BASE-T through the register settings ([Section 7.4.8](#)) or strap settings ([Section 7.5.1.2](#)).

#### 7.4.1.2 100BASE-TX

The DP83869HM supports the 100BASE-TX standard as defined by the IEEE 802.3 standard. In 100M mode, the PHY uses two MDI channels for communication. The 100BASE-TX can work in Auto-Negotiation mode or in force mode. The PHY can be configured in 100BASE-TX through the register settings ([Section 7.4.8](#)) or strap settings ([Section 7.5.1.2](#)). When using DP83869 in force 100Base-TX mode, the PHY is required to have Robust Auto-MDIX feature enabled from register 1Eh.

#### 7.4.1.3 10BASE-Te

The DP83869HM supports the 10BASE-Te standard as defined by the IEEE 802.3 standard. In 100M mode, the PHY uses two MDI channels for communication. The 10BASE-Te can work in Auto-Negotiation mode or in force mode. The PHY can be configured in 10BASE-Te through the register settings ([Section 7.4.8](#)) or strap settings ([Section 7.5.1.2](#)).

### 7.4.2 Fiber Ethernet

#### 7.4.2.1 1000BASE-X

The DP83869HM supports the 1000Base-X Fiber Ethernet protocol as defined in IEEE 802.3 standard. In 1000M Fiber mode, the PHY uses two differential channels for communication. In fiber mode, the speed is not decided through auto-negotiation. Both sides of the link must be configured to the same operating speed. The PHY can be configured to operate in 1000BASE-X through the register settings ([Section 7.4.8](#)) or strap settings ([Section 7.5.1.2](#)).

#### 7.4.2.2 100BASE-FX

The DP83869HM supports the 100Base-FX Fiber Ethernet protocol as defined in IEEE 802.3 standard. In 100M Fiber mode, the PHY uses two differential channels for communication. In fiber mode, the speed is not decided through auto-negotiation. Both sides of the link must be configured to the same operating speed. The PHY can be configured to operate in 100BASE-X through register settings ([Section 7.4.8](#)) or strap settings ([Section 7.5.1.2](#)).

#### 7.4.3 Serial GMII (SGMII)

The Serial Gigabit Media Independent Interface (SGMII) provides a means of conveying network data and port speed between a 100/1000 PHY and a MAC with significantly less signal pins (4 or 6 pins) than required for GMII (24 pins) or RGMII (12 pins). The SGMII interface uses 1.25Gbps LVDS differential signaling which has the added benefit of reducing EMI emissions relative to GMII or RGMII.

Because the internal clock and data recovery circuitry (CDR) of DP83869HM can detect the transmit timing of the SGMII data, TX\_CLK is not required. The DP83869HM supports only 4-wire SGMII mode. Two differential pairs are used for the transmit and receive connections. Clock and data recovery are performed in the MAC and in the PHY, so no additional differential pair is required for clocking.

The 1.25Gbps rate of SGMII is excessive for 100Mbps and 10Mbps operation. When operating in 100Mbps mode, the PHY *elongates* the frame by replicating each frame byte 10 times and when in 10Mbps mode the PHY *elongates* the frame by replicating each frame byte 100 times. This frame elongation takes place *above* the IEEE 802.3 PCS layer, thus the start of frame delimiter only appears once per frame.

The SGMII interface includes Auto-Negotiation capability. Auto-Negotiation provides a mechanism for control information to be exchanged between the PHY and the MAC. This allows the interface to be automatically configured based on the media speed mode resolution on the MDI side. In MAC loopback mode, the SGMII speed is determined by the MDI speed selection. The SGMII interface works in both Auto-Negotiation and forced speed mode during the MAC loopback operation. SGMII Auto-Negotiation is the default mode of the operation.

The SGMII Auto-Negotiation process can be disabled and the SGMII speed mode can be forced to the MDI resolved speed. The SGMII forced speed mode can be enabled with the MDI auto-negotiation or MDI manual speed mode. SGMII Auto-Negotiation can be disabled through the SGMII\_AUTONEG\_EN register bit in the CFG2 register (address 14h).

The 10M\_SGMII\_RATE\_ADAPT bit (bit 7) of 10M\_SGMII\_CFG register (16Fh) needs to be cleared for enabling 10M SGMII operation.

SGMII is enabled through a resistor strap option. See [Section 7.5.1](#) for details.

All SGMII connections must be AC-coupled through an 0.1µF capacitor.

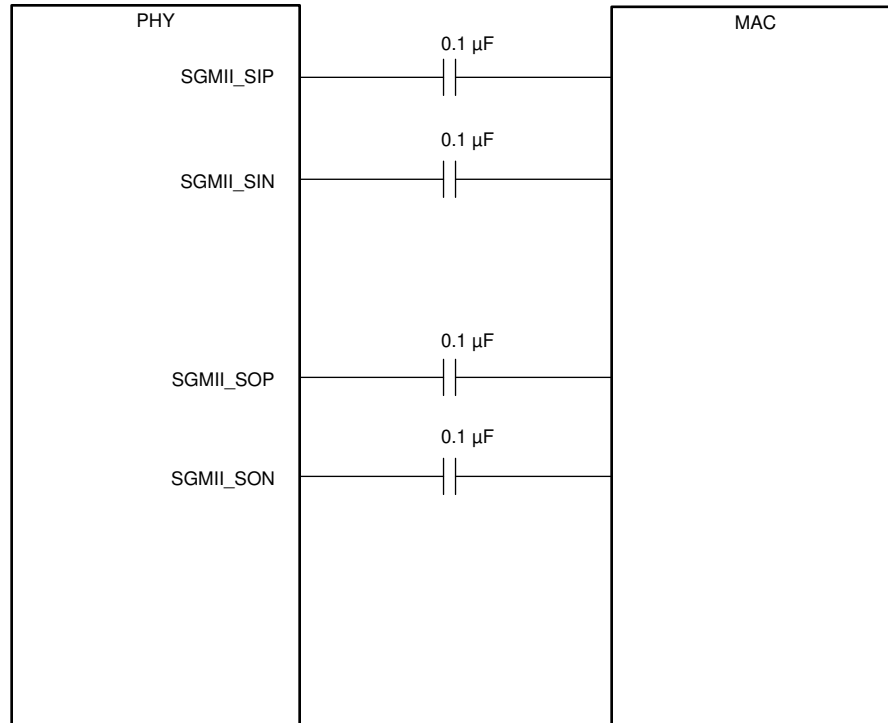
The connection diagrams for 4-wire SGMII is shown in [Figure 7-6](#).

---

#### Note

MII Isolate (bit 10 in register 0h) does not isolate SGMII pins. SGMII can be disabled through register 1DFh for isolating SGMII pins.

---



**Figure 7-6. SGMII 4-Wire Connections**

#### 7.4.4 Reduced GMII (RGMII)

The Reduced Gigabit Media Independent Interface (RGMII) is designed to reduce the number of pins required to interconnect the MAC and PHY (12 pins for RGMII relative to 24 pins for GMII). To accomplish this goal, the data paths and all associated control signals are reduced and are multiplexed. Both rising and trailing edges of the clock are used. For Gigabit operation, the GTX\_CLK and RX\_CLK clocks are 125MHz, and for 10Mbps and 100Mbps operation, the clock frequencies are 2.5MHz and 25MHz, respectively.

For more information about RGMII timing, see the [RGMII Interface Timing Budgets application note](#).

##### 7.4.4.1 1000Mbps Mode Operation

All RGMII signals are positive logic. The 8-bit data is multiplexed by taking advantage of both clock edges. The lower 4 bits are latched on the positive clock edge and the upper 4 bits are latched on trailing clock edge. The control signals are multiplexed into a single clock cycle using the same technique.

To reduce power consumption of RGMII interface, (TX\_EN - TX\_ER) and (RX\_DV - RX\_ER) are encoded in a manner that minimizes transitions during normal network operation. TX\_CTRL pin denotes TX\_EN on rising edge of GTX\_CLK and denotes a logic derivative of TX\_EN and TX\_ER on the falling edge of GTX\_CLK. RX\_CTRL denotes RX\_DV on rising edge of RX\_CLK and denotes a logic derivative of RX\_DV and RX\_ER on the falling edge of RX\_CLK. The encoding for the TX\_CTRL and RX\_CTRL is given in [Equation 1](#) and [Equation 2](#):

$$\text{TX\_CTRL} = \text{GMII\_TX\_ER (XOR) GMII\_TX\_EN} \quad (1)$$

where

- GMII\_TX\_ER and GMII\_TX\_EN are logical equivalent signals in GMII standard.

$$\text{RX\_CTRL} = \text{GMII\_RX\_ER (XOR) GMII\_RX\_DV} \quad (2)$$

where

- GMII\_RX\_ER, and GMII\_RX\_DV are logical equivalent signals in GMII standard.

When receiving a valid frame with no error, *RX\_CTRL = True* is generated as a logic high on the rising edge of RX\_CLK and *RX\_CTRL = False* is generated as a logic high at the falling edge of RX\_CLK. When no frame is being received, *RX\_CTRL = False* is generated as a logic low on the rising edge of RX\_CLK and *RX\_CTRL = False* is generated as a logic low on the falling edge of RX\_CLK.

The TX\_CTRL is treated in a similar manner. During normal frame transmission, the signal stays at a logic high for both edges of GTX\_CLK and during the period between frames where no error is indicated, the signal stays low for both edges.

#### 7.4.4.2 1000Mbps Mode Timing

The DP83869HM provides configurable clock skew for the GTX\_CLK and RX\_CLK to optimize timing across the interface. The transmit and receive paths can be optimized independently. Both the transmit and receive path support 16 programmable RGMII delay modes through register configuration.

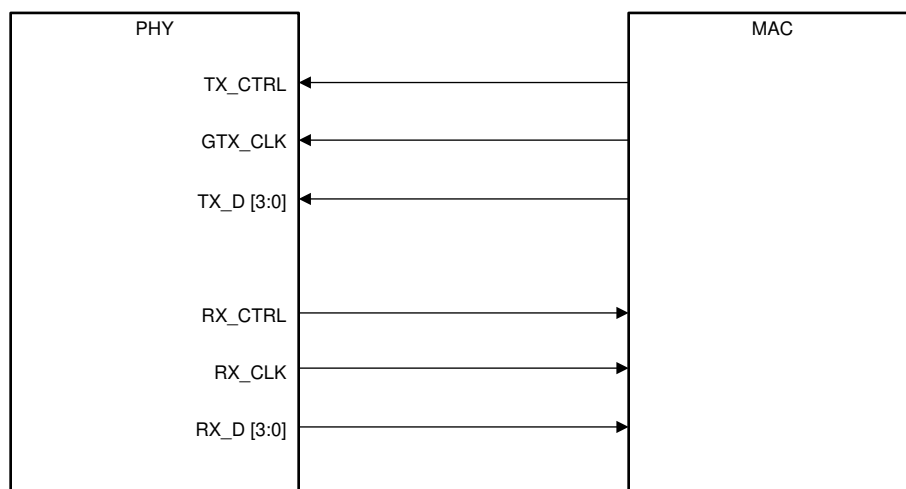
The timing paths can either be configured for Aligned mode or Shift mode. In Aligned mode, no clock skew is introduced. In Shift mode, the clock skew can be introduced in 0.5ns increments or in 0.25ns increments (through register configuration). Configuration of the Aligned mode or Shift mode is accomplished through the RGMII Control Register (RGMIICTL), address 32h. In Shift mode, the clock skew can be adjusted using the RGMII Delay Control Register (RGMIIDCTL), address 86h. By default, RGMII shift mode is activated. Both transmit and receive signals are delayed by 2ns.

#### 7.4.4.3 10 and 100Mbps Mode

When the RGMII interface is operating in the 100Mbps mode, the RGMII clock rate is reduced to 25MHz. For 10Mbps operation, the clock is further reduced to 2.5MHz. In the RGMII 10/100 mode, the transmit clock RGMII TX\_CLK is generated by the MAC and the receive clock RGMII RX\_CLK is generated by the PHY. During the packet receiving operation, the RGMII RX\_CLK can be stretched on either the positive or negative pulse to accommodate the transition from the free-running clock to a data synchronous clock domain. When the speed of the PHY changes, a similar stretching of the positive or negative pulses is allowed. No glitch is allowed on the clock signals during clock speed transitions.

This interface operates at 10 and 100Mbps speeds the same way the interface does at 1000Mbps mode with the exception that the data can be duplicated on the falling edge of the appropriate clock.

The MAC holds the RGMII TX\_CLK low until the MAC makes sure that the MAC is operating at the same speed as the PHY.



**Figure 7-7. RGMII Connections**

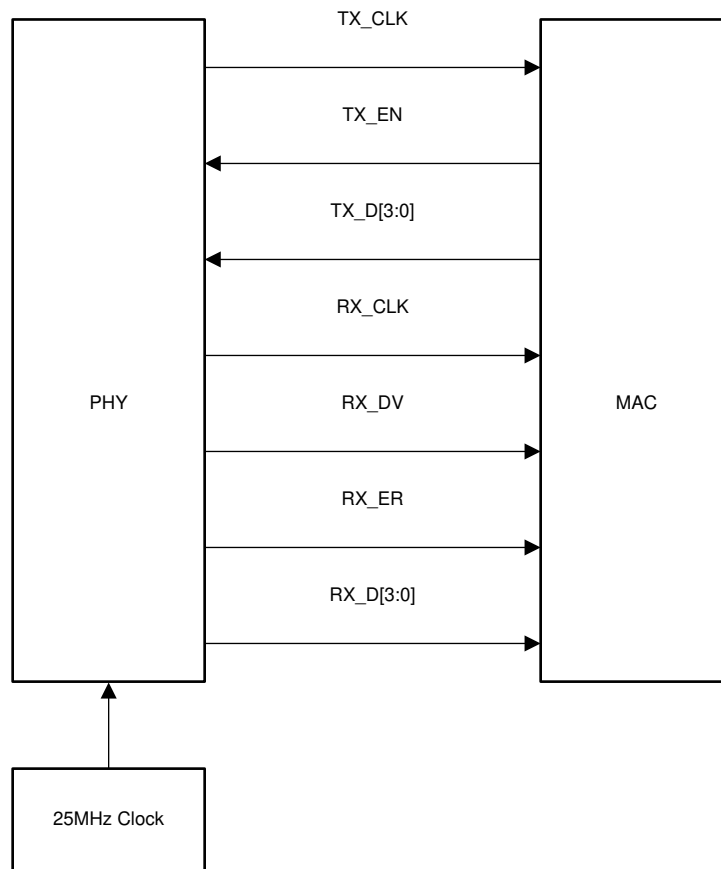
### 7.4.5 Media Independent Interface (MII)

DP83869HM also supports MII mode when the PHY is working in 100M and 10M speeds. The user must provide that the PHY links in either 100Mbps or 10Mbps mode. MII mode cannot be used in 1000Mbps mode. When using auto-negotiation to resolve MDI speed, TI recommends to turn off the gigabit speed advertisement through register 0x9 to make sure that the PHY does not link up at 1000Mbps speed. The Media Independent Interface is a synchronous 4-bit wide nibble data interface that connects the PHY to the MAC in 100BASE-FX, 100BASE-TX and 10BASE-Te modes. The RX\_ER signal must be properly muxed by setting Register 18h to equal 0xE. The MII is fully compliant with IEEE 802.3-2002 clause 22.

The MII signals are summarized in [Table 7-5](#):

**Table 7-5. MII Signals**

FUNCTION	PINS
Data Signals	TX_D[3:0]
	RX_D[3:0]
Transmit and Receive Signals	TX_EN, TX_ER
	RX_DV, RX_ER



**Figure 7-8. MII Signaling**

**Note**

MII mode cannot be enabled via straps alone. Register configuration is also needed.

**Steps to configure DP83869HM to MII Mode:**

1. Write Reg 0x18 = 0xE

2. Choose MDI Interface
  - a. Copper:
    - i. Write Reg 0x1DF = 0x60
  - b. Fiber:
    - i. Write Reg 0x1DF = 0x62
3. Strap DP83869HM according to [Table 7-6](#)

**Table 7-6. Strap Table for MII Mode**

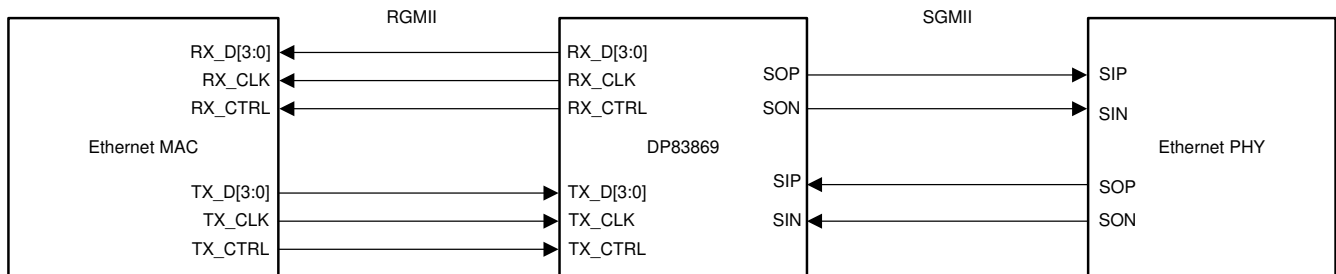
PIN NAME	STRAP NAME	PIN NUMBER	PIN STRAP CONNECTION
JTAG_TDO / GPIO_1	OPMODE_0	22	OPEN
RX_D3	OPMODE_1	36	<b>MII to Copper:</b> OPEN <b>MII to Fiber:</b> 2.49kΩ Pull-up to VDDIO
RX_D2	OPMODE_2	35	OPEN

### 7.4.6 Bridge Modes

The DP83869HM supports Bridge modes to translate data between two MAC interface types. Bridge mode is activated through straps or register configuration. The two types of Bridge mode supported by DP83869HM are:

- RGMII-to-SGMII mode
- SGMII-to-RGMII mode

#### 7.4.6.1 RGMII-to-SGMII Mode



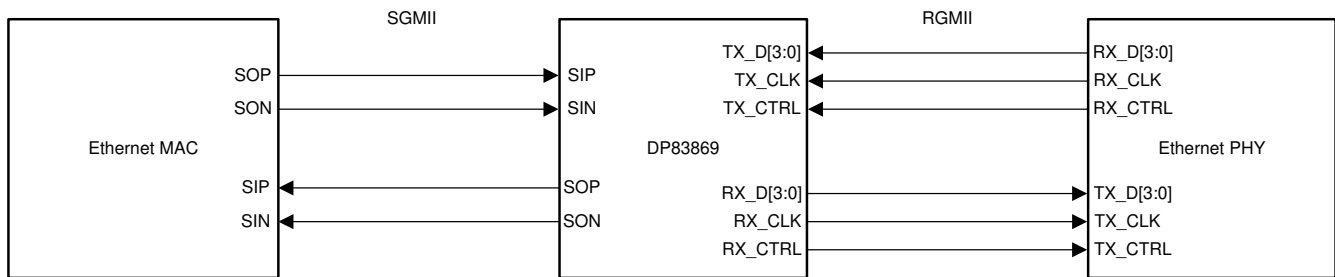
**Figure 7-9. DP83869HM RGMII-to-SGMII Bridge**

In RGMII-to-SGMII mode Ethernet MAC is connected to the RGMII pins of the DP83869HM and PHY is connected to the SGMII pins of the DP83869. In this mode, DP83869HM configures SGMII in Auto Mode. In Auto mode, the RGMII side automatically adjusts to the link-up speed on the SGMII side. In case where the PHY is does not have a link, the RGMII clock frequency defaults to 2.5MHz.

After auto-negotiation is completed on the PHY side, the link capabilities are communicated to DP83869HM over the SGMII interface. However, this information is conveyed to the Ethernet MAC through RGMII Inband signaling and RX\_CLK adjustment. The MAC can also read this information from the DP83869.

In Bridge mode, the DP83869HM SMI acts as follower mode to MAC.

#### 7.4.6.2 SGMII-to-RGMII Mode



**Figure 7-10. DP83869HM SGMII-to-RGMII Bridge**

In SGMII-to-RGMII mode, Ethernet MAC is connected to the SGMII pins of the DP83869HM and PHY is connected to the RGMII pins of the DP83869. In this mode, DP83869HM configures SGMII in Auto. In Auto mode, SGMII adapts the link speed based on RGMII.

After auto-negotiation is completed on the PHY side, the link capabilities are communicated to DP83869HM over the RGMII interface. However, this information needs to be conveyed to the Ethernet MAC as well. The MAC can read this information from the DP83869HM through the registers.

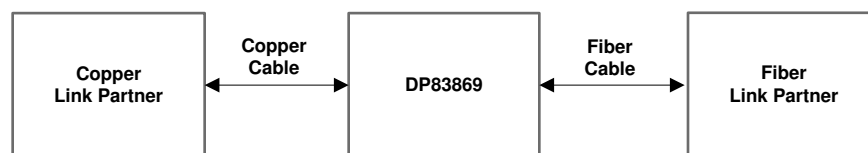
In SGMII-to-RGMII Bridge mode, the DP83869 acts as RGMII MAC for the Ethernet PHY. The DP83869 RX pins acts as output pins from the DP83869 to the Ethernet PHY TX pins, and the DP83869 TX pins acts as input pins for the Ethernet PHY RX pins.

In both Bridge modes, PRBS mode of the PHY is not applicable and must not be used.

LEDs, if used, indicates status on the RGMII side in both Bridge Modes.

#### 7.4.7 Media Convertor Mode

In media convertor mode, DP83869HM translates data between copper and fiber interface for 1000M and 100M speeds. Media convertor mode can be activated through the straps. The DP83869HM supports Unmanaged Media Convertor mode.



**Figure 7-11. Media Convertor Mode**

In Unmanaged mode, Media Convertor can still be activated through straps but register configuration options are also used for enhanced features like changing LED configuration, Capabilities programming broadcasted in Auto-Neg, and so forth, can need configuration and are supported through register programming. Register access to the PHY is retained. This provides additional flexibility to use other features supported by the PHY.

Copper interface supports auto-negotiation, but the user has to make sure that the speed negotiated on the copper side matches the speed fixed on the fiber side. In cases of speed mismatch between copper and fiber, interface data transmission cannot be successful.

The DP83869HM also supports Link Loss Pass Through in 100M and 1000M mode. In a network containing two media convertors where the link is dropped on one end of the system, a link loss indication is passed through all the way to the far end. The Link Loss Pass-Through is enabled or disabled through straps. An example is shown in [Figure 7-12](#).

1. A fault occurs on copper link at position 1 at Near End Link Partner.
2. Media Converter disables Fiber TX link at position 2.
3. The Media Converter in the system loses link at position 3.

4. The second Media Converter disables copper link and the far end link partner loses the copper link.



**Figure 7-12. Link Loss Pass-Through**

### 7.4.8 Register Configuration for Operational Modes

The operational modes of DP83869HM are configured through the OPMODE[0], OPMODE[1], OPMODE[2] straps. When operational modes are changed through register access, additional configurations are necessary apart from 1DFh. The following sections contain necessary information for changing operational modes through the registers. For modes not listed below, only configuring register 1DFh is sufficient.

#### 7.4.8.1 RGMII-to-Copper Ethernet Mode

Required register configuration when switching to RGMII-to-Copper mode using software:

- Write 0x0040 to register 1DFh // Set Operation Mode to RGMII to Copper
- Write 0x1140 to register 0h // Reset BMCR
- Write 0x01E1 to register 4h // Advertise 100Base-TX and 10Base-T ability
- Write 0x0300 to register 9h // Reset GEN\_CFG1
- Write 0x5048 to register 10h // Reset PHY\_CONTROL
- Write 0x4000 to register 1Fh // Software Reset

#### 7.4.8.2 RGMII-to-1000Base-X Mode

- Write 0x0041 to register 1DFh // Set Operation Mode to RGMII to 1000Base-X
- Write 0x1140 to register C00h // Reset FX\_CTRL
- Write 0x4000 to register 1Fh // Software Reset

#### 7.4.8.3 RGMII-to-100Base-FX Mode

- Write 0x0042 to register 1DFh // Set Operation Mode to RGMII to 100Base-FX
- Write 0x2100 to register C00h // Set Speed to 100Mbps
- Write 0x4000 to register 1Fh // Software Reset

#### 7.4.8.4 RGMII-to-SGMII Bridge Mode

- Write 0x0043 to register 1DFh // Set Operation Mode to RGMII-to-SGMII.
- Write 0x1140 to register C00h // Reset FX\_CTRL
- Write 0x4000 to register 1Fh // Software Reset

#### 7.4.8.5 1000M Media Convertor Mode

- Write 0x0044 to register 1DFh // Set Operation Mode to 1000Base-T to 1000Base-X
- Write 0x1140 to register 0h // Reset BMCR
- Write 0x5048 to register 10h // Reset PHY\_CONTROL
- Write 0x1140 to register C00h // Reset FX\_CTRL
- Write 0x4000 to register 1Fh // Software Reset

#### 7.4.8.6 100M Media Convertor Mode

- Write 0x0045 to register 1DFh // Set Operation Mode to 100Base-T to 100Base-FX
- Write 0x1140 to register 0h // Reset BMCR
- Write 0x5048 to register 10h // Reset PHY\_CONTROL
- Write 0x000E to register 18h // Mux LED\_1 to function as RX\_ER
- Write 0x4000 to register 1Fh // Software Reset

#### 7.4.8.7 SGMII-to-Copper Ethernet Mode

- Write 0x0046 to register 1DFh // Set Operation Mode to SGMII to Copper
- Write 0x1140 to register 0h // Reset BMCR
- Write 0xB00 to register 9h // Advertise 1000Base-T ability
- Write 0x5048 to register 10h // Reset PHY\_CONTROL
- Write 0x1140 to register C00h // Reset FX\_CTRL
- Write 0x4000 to register 1Fh // Software Reset

#### 7.4.9 Serial Management Interface

The Serial Management Interface (SMI), provides access to the DP83869HM internal register space for status information and configuration. The SMI is compatible with IEEE 802.3-2002 clause 22. The implemented register set consists of the registers required by the IEEE 802.3, plus several others to provide additional visibility and controllability of the DP83869HM device.

The SMI includes the MDC management clock input and the management MDIO data pin. The MDC clock is sourced by the external management entity, also called Station (STA), and can run at a maximum clock rate of 25MHz. MDC is not expected to be continuous, and can be turned off by the external management entity when the bus is idle.

The MDIO is sourced by the external management entity and by the PHY. The data on the MDIO pin is latched on the rising edge of the MDC clock. The MDIO pin requires a pullup resistor (2.2kΩ) which, during IDLE and turnaround, pulls MDIO high.

Up to 16 PHYs can share a common SMI bus. To distinguish between the PHYs, a 4-bit address is used. During power-up reset, the DP83869HM latches the PHY\_ADD configuration pins to determine the PHY address.

The management entity must not start an SMI transaction in the first cycle after power-up reset. To maintain valid operation, the SMI bus must remain inactive at least one MDC cycle after hard reset is deasserted. In normal MDIO transactions, the register address is taken directly from the management-frame reg\_addr field, thus allowing direct access to 32 16-bit registers (including those defined in IEEE 802.3 and vendor specific). The data field is used for both reading and writing. The Start code is indicated by a <01> pattern. This pattern makes sure that the MDIO line transitions from the default idle line state. Turnaround is defined as an idle bit time inserted between the Register Address field and the Data field. To avoid contention during a read transaction, no device can actively drive the MDIO signal during the first bit of turnaround. The addressed DP83869HM drives the MDIO with a zero for the second bit of turnaround and follows this with the required data. [Figure 7-13](#) shows the timing relationship between MDC and the MDIO as driven and received by the Station (STA) and the DP83869HM (PHY) for a typical register read access.

For write transactions, the station-management entity writes data to the addressed DP83869, thus eliminating the requirement for MDIO turnaround. The turnaround time is filled by the management entity by inserting <10>. [Figure 7-13](#) shows the timing relationship for a typical MII register write access. The frame structure and general read and write transactions are shown in [Table 7-7](#), [Figure 7-13](#), and [Figure 7-14](#).

**Table 7-7. Typical MDIO Frame Format**

TYPICAL MDIO FRAME FORMAT	<idle><start><op code><device addr><reg addr><turnaround><data><idle>
Read Operation	<idle><01><10><AAAA><RRRR><Z0><xxxx xxxx xxxx xxxx><idle>
Write Operation	<idle><01><01><AAAA><RRRR><10><xxxx xxxx xxxx xxxx><idle>

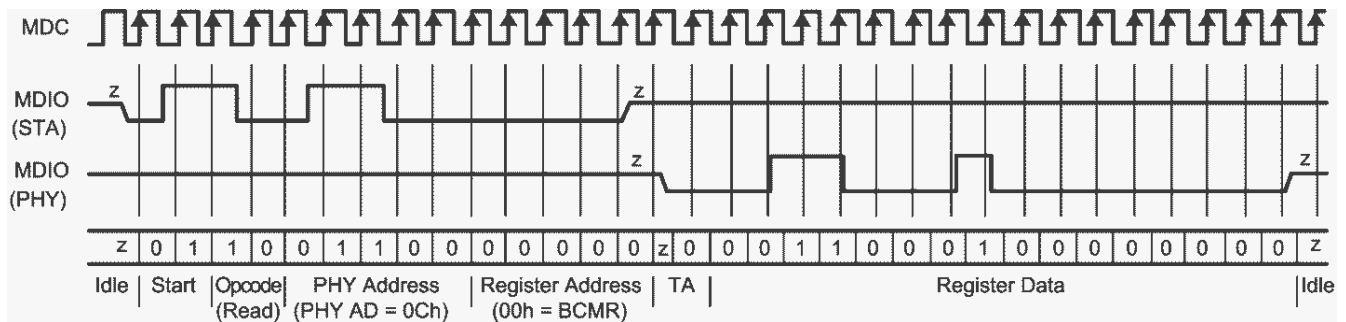


Figure 7-13. Typical MDC/MDIO Read Operation

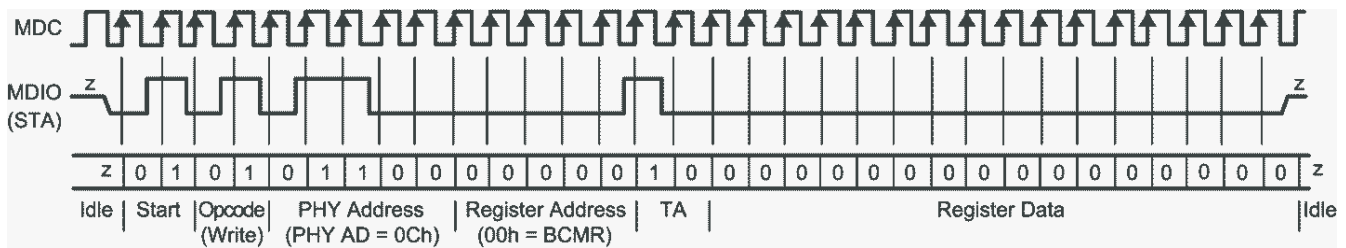


Figure 7-14. Typical MDC/MDIO Write Operation

#### 7.4.9.1 Extended Register Space Access

The DP83869HM SMI function supports read or write access to the extended register set using registers REGCR (0x0D) and ADDAR (0x0E) and the MDIO Manageable Device (MMD) indirect method defined in IEEE 802.3ah Draft for clause 22 for accessing the clause 45 extended register set.

The standard register set, MDIO registers 0 to 31, is accessed using the normal direct-MDIO access or the indirect method, except for register REGCR (0x0D) and ADDAR (0x0E), which is accessed only using the normal MDIO transaction. The SMI function ignores indirect accesses to these registers.

REGCR (0x0D) is the MDIO Manageable MMD access control. In general, register REGCR(4:0) is the device address (DEVAD) that directs any accesses of ADDAR (0x0E) register to the appropriate MMD.

The PHY supports one MMD device address. The vendor-specific device address DEVAD[4:0] = 11111 is used for general MMD register accesses.

All accesses through registers REGCR and ADDAR must use the correct DEVAD. Transactions with other DEVAD are ignored. REGCR[15:14] holds the access function: address (00), data with no post increment (01), data with post increment on read and writes (10) and data with post increment on writes only (11).

Table 7-8. REGCR DEVAD Functions

REGCR[15:14]	FUNCTION
00	Accesses to register ADDAR modify the extended register 'set address' register. This address register must always be initialized to access any of the registers within the extended register set.
01	Accesses to register ADDAR access the register within the extended register set selected by the value in the address register.
10	Access to register ADDAR access the register within the extended register set selected by the value in the address register. After that access is complete, for both reads and writes, the value in the address register is incremented.
11	Access to register ADDAR access the register within the extended register set selected by the value in the address register. After that access is complete, for write accesses only, the value in the address register is incremented. For read accesses, the value of the address register remains unchanged.

The following sections describe how to perform operations on the extended register set using register REGCR and ADDAR. The descriptions use the device address for general MMD register accesses (DEVAD[4:0] = 11111).

#### 7.4.9.1.1 Read (No Post Increment) Operation

To read a register in the extended register set:

INSTRUCTION	EXAMPLE: READ 0x0170
1. Write the value 0x001F (address function field = 00, DEVAD = 31) to register REGCR.	Write register 0x0D to value 0x001F
2. Write the desired register address to register ADDAR.	Write register 0x0E to value 0x0170
3. Write the value 0x401F (data, no post increment function field = 01, DEVAD = 31) to register REGCR.	Write register 0x0D to value 0x401F
4. Read the content of the desired extended register set register to register ADDAR.	Read register 0x0E

Subsequent reads from register ADDAR (step 4) continue reading the register selected by the value in the address register.

#### Note

Steps (1) and (2) can be skipped if the address register is already configured.

#### 7.4.9.1.2 Write (No Post Increment) Operation

To write a register in the extended register set:

INSTRUCTION	EXAMPLE: SET REG 0x0170 = 0C50
1. Write the value 0x001F (address function field = 00, DEVAD = 31) to register REGCR (0x0D).	Write register 0x0D to value 0x001F
2. Write the desired register address to register ADDAR (0x0E).	Write register 0x0E to value 0x0170
3. Write the value 0x401F (data, no post increment function field = 01, DEVAD = 31) to register REGCR.	Write register 0x0D to value 0x401F
4. Write the content of the desired extended register set register to register ADDAR.	Write register 0x0E to value 0x0C50

Subsequent writes to register ADDAR (step 4) continue to rewrite the register selected by the value in the address register.

#### Note

Steps (1) and (2) can be skipped if the address register is already configured.

### 7.4.10 Auto-Negotiation

All 1000BASE-T PHYs are required to support Auto-Negotiation. The Auto-Negotiation function in 1000BASE-T has three primary purposes:

- Auto-Negotiation of Speed and Duplex Selection
- Auto-Negotiation of Leader or Follower Resolution
- Auto-Negotiation of Pause or Asymmetrical Pause Resolution

#### 7.4.10.1 Speed and Duplex Selection - Priority Resolution

The Auto-Negotiation function provides a mechanism for exchanging configuration information between the two ends of a link segment. This mechanism is implemented by exchanging Fast Link Pulses (FLP). FLPs are burst pulses that provide the signaling used to communicate the abilities between two devices at each end of a link segment. For further details regarding Auto-Negotiation, refer to Clause 28 of the IEEE 802.3 specification. The DP83869HM supports 1000BASE-T, 100BASE-TX, and 1000BASE-T modes of operation. The process of Auto-Negotiation makes sure that the highest performance protocol is selected (that is, priority resolution) based on the advertised abilities of the Link Partner and the local device.

#### 7.4.10.2 Leader and Follower Resolution

If 1000BASE-T mode is selected during the priority resolution, the second goal of Auto-Negotiation is to resolve Leader or Follower configuration. The Leader mode priority is given to the device that supports multiport nodes, such as switches and repeaters. Single node devices such as DTE or NIC card takes lower Leader mode priority.

#### 7.4.10.3 Pause and Asymmetrical Pause Resolution

When Full-Duplex operation is selected during priority resolution, the Auto-Negotiation also determines the Flow Control capabilities of the two link partners. Flow control is originally introduced to force a busy station's Link Partner to stop transmitting data in Full-Duplex operation. Unlike Half-Duplex mode of operation where a link partner can be forced to back off by simply generating collisions, the Full-Duplex operation needed a mechanism to slow down transmission from a link partner in the event that the receiving station's buffers are becoming full. A new MAC control layer is added to handle the generation and reception of Pause Frames. Each MAC Controller has to advertise whether the MAC is capable of processing Pause Frames. In addition, the MAC Controller advertises if Pause frames can be handled in both directions, that is, receive and transmit. If the MAC Controller only generates Pause frames but does not respond to Pause frames generated by a link partner, this is called Asymmetrical Pause. The advertisement of Pause and Asymmetrical Pause capabilities is enabled by writing 1 to bits 10 and 11 of ANAR (register address 4h). The link partner's Pause capabilities is stored in ANLPAR (register address 5h) bits 10 and 11. The MAC Controller has to read from ANLPAR to determine which Pause mode to operate. The PHY layer is not involved in Pause resolution other than simply advertising and reporting of Pause capabilities.

#### 7.4.10.4 Next Page Support

The DP83869HM supports the Auto-Negotiation Next Page protocol as required by IEEE 802.3 clause 28.2.4.1.7. The ANNPTR 7h allows for the configuration and transmission of the Next Page. Refer to clause 28 of the IEEE 802.3 standard for detailed information regarding the Auto-Negotiation Next Page function.

#### 7.4.10.5 Parallel Detection

The DP83869HM supports the Parallel Detection function as defined in the IEEE 802.3 specification. Parallel Detection requires the 10/100Mbps receivers to monitor the receive signal and report link status to the Auto-Negotiation function. Auto-Negotiation uses this information to configure the correct technology in the event that the Link Partner does not support Auto-Negotiation, yet is transmitting link signals that the 10BASE-T or 100BASE-X PMA recognize as valid link signals.

If the DP83869HM completes Auto-Negotiation as a result of Parallel Detection without Next Page operation, bits 5 and 7 of ANLPAR (register address 5h) are set to reflect the mode of operation present in the Link Partner. Note that bits 4:0 of the ANLPAR are also set to 00001 based on a successful parallel detection to indicate a valid 802.3 selector field. Software determines that the negotiation is completed through Parallel Detection by reading 0 in bit 0 of ANER (register address 6h) after Auto-Negotiation Complete—bit 5 of BMSR (register address 1h)—is set. If the PHY is configured for parallel detect mode and any condition other than a good link occurs, the parallel detect fault—bit 4 of ANER (register address 6h)—sets.

#### 7.4.10.6 Restart Auto-Negotiation

If a link is established by successful Auto-Negotiation and then lost, the Auto-Negotiation process resumes to determine the configuration for the link. This function makes sure that a link can be re-established if the cable becomes disconnected and reconnected. After Auto-Negotiation is completed, Auto-Negotiation can be restarted at any time by writing 1 to bit 9 of the BMCR (register address 0h). A restart Auto-Negotiation request from any entity, such as a management agent, causes DP83869HM to halt data transmission or link pulse activity until the break\_link\_timer expires. Consequently, the Link Partner goes into link fail mode and the resume Auto-Negotiation. The DP83869HM resumes Auto-Negotiation after the break\_link\_timer has expired by transmitting FLP (Fast Link Pulse) bursts.

#### 7.4.10.7 Enabling Auto-Negotiation Through Software

If Auto-Negotiation is disabled by MDIO access, and the user desires to restart Auto-Negotiation, this can be accomplished by software access. Bit 12 of BMCR (register address 0h) must be cleared and then set for Auto-Negotiation operation to take place.

If Auto-Negotiation is disabled by strap option, Auto-Negotiation cannot be re-enabled.

#### 7.4.10.8 Auto-Negotiation Complete Time

Parallel detection and Auto-Negotiation typically take 2-3 seconds to complete. In addition, Auto-Negotiation with next page exchange takes approximately 2-3 seconds to complete, depending on the number of next pages exchanged. Refer to Clause 28 of the IEEE 802.3 standard for a full description of the individual timers related to Auto-Negotiation.

#### 7.4.10.9 Auto-MDIX Resolution

The DP83869HM can determine if a *straight* or *crossover* cable is used to connect to the link partner. Auto-MDIX feature can automatically re-assign channel A and B to establish link with the link partner, (and channel C and D in 1000BASE-T mode). Auto-MDIX resolution precedes the actual Auto-Negotiation process that involves exchange of FLPs to advertise capabilities. Automatic MDI/MDIX is described in IEEE 802.3 Clause 40, section 40.8.2. This is not a required implementation for 10BASE-Te and 100BASE-TX.

Auto-MDIX can be enabled or disabled by strap, using the AMDIX Disable strap, or by register configuration, using bit 6 of the PHYCR register (address 10h). When Auto-MDIX is disabled, the PMA is forced to either MDI (*straight*) or MDIX (*crossed*). Manual configuration of MDI or MDIX can also be accomplished by strap, using the Force MDI/X strap, or by register configuration, using bit 5 of the PHYCR register.

For 10/100, Auto-MDIX is independent of Auto-Negotiation. Auto-MDIX works in both Auto-Negotiation mode and manual forced speed mode.

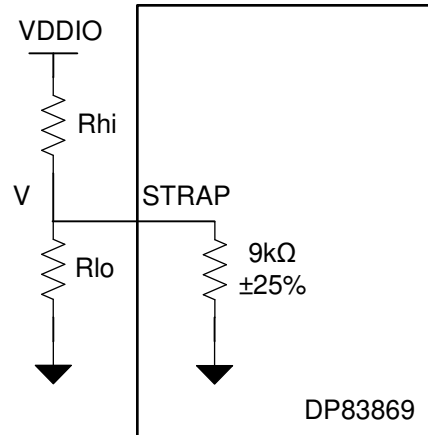
### 7.5 Programming

#### 7.5.1 Strap Configuration

The DP83869HM uses many of the functional pins as strap options to place the device into specific modes of operation. The values of these pins are sampled at power up or hard reset. During software resets, the strap options are internally reloaded from the values sampled at power up or hard reset. The strap option pin assignments are defined below.

Configuration of the device can be done through the strap pins or through the management register interface. A pullup resistor and/or a pulldown resistor of suggested values can be used to set the voltage ratio of the strap pin input and the supply to select one of the possible selected modes.

The MAC interface pins must support I/O voltages of 3.3V, 2.5V, and 1.8V. As the strap inputs are implemented on these pins, the straps must also support operation at 3.3V, 2.5V, and 1.8V supplies depending on what voltage is selected for I/O. RX\_D0 and RX\_D1 pins are 4 level strap pins. All other strap pins have two levels.



**Figure 7-15. Strap Circuit**

**Table 7-9. 4-Level Strap Resistor Ratio**

MODE	TARGET VOLTAGE			RECOMMENDED RESISTORS	
	Vmin (V)	Vtyp (V)	Vmax (V)	Rhi (kΩ)	Rlo (kΩ)
0	0	0	0.093 × VDDIO	OPEN	OPEN
1	0.136 × VDDIO	0.165 × VDDIO	0.184 × VDDIO	10	2.49
2	0.219 × VDDIO	0.255 × VDDIO	0.280 × VDDIO	5.76	2.49
3	0.6 × VDDIO	0.783 × VDDIO	0.888 × VDDIO	2.49	OPEN

**Table 7-10. 2-Level Strap Resistor Ratio**

MODE	TARGET VOLTAGE			RECOMMENDED RESISTORS	
	Vmin (V)	Vtyp (V)	Vmax (V)	Rhi (kΩ)	Rlo (kΩ)
0	0		0.18x VDDIO	OPEN	OPEN
1	0.5x VDDIO		0.88x VDDIO	2.49	OPEN

### 7.5.1.1 Straps for PHY Address

**Table 7-11. PHY Strap Table**

PIN NAME	STRAP NAME	PIN NUMBER	DEFAULT			
RX_D0	PHY_ADD[1:0]	33	00	PHY_ADD1	PHY_ADD0	
				MODE 0	0	0
				MODE 1	0	1
				MODE 2	1	0
				MODE 3	1	1
RX_D1	PHY_ADD[3:2]	34	00	PHY_ADD3	PHY_ADD2	
				MODE 0	0	0
				MODE 1	0	1
				MODE 2	1	0
				MODE 3	1	1

7.5.1.2 Strap for DP83869HM Functional Mode Selection

**Table 7-12. Functional Mode Strap Table**

PIN NAME	STRAP NAME	PIN NUMBER	DEFAULT	OPMODE[2]	OPMODE[1]	OPMODE[0]	FUNCTIONAL MODES
JTAG_TDO/ GPIO_1	OPMODE[0]	22	0	0	0	0	RGMII to Copper (1000Base-T/ 100Base-TX/10Base-Te)
				0	0	1	RGMII to 1000Base-X
RX_D3	OPMODE[1]	36	0	0	1	0	RGMII to 100Base-FX
				0	1	1	RGMII-SGMII Bridge Mode
RX_D2	OPMODE[2]	35	0	1	0	0	1000Base-T to 1000Base-X
				1	0	1	100Base-TX to 100Base-FX
				1	1	0	SGMII to Copper (1000Base-T/ 100Base-TX/10Base-Te)
				1	1	1	JTAG for boundary scan

7.5.1.3 LED Default Configuration Based on Device Mode

Based on the strapped OP\_MODE, the following table summarizes the default of LED0, LED1 and LED2.

**Table 7-13. LED Defaults**

OP_MODE[2:0]	Mode Description	LED0 Default	LED1 Default	LED2 Default
000	RGMII to Copper (1000Base-TX/ 100Base-TX/10T)	10/100M/1G Link-up: Stable ON	1G Link-up: Stable ON	TX and RX Activity
001	RGMII to 1000Base-X	Fiber Link-up: Stable ON	TX Activity	RX Activity
010	RGMII to 100Base-FX	Fiber Link-up: Stable ON	TX Activity	RX Activity
011	RGMII to SGMII	SGMII Link-up from 10/100M/1G: Stable ON	SGMII 1G Link-up: Stable ON	TX and RX Activity
100	Copper to 1000Base-X	Copper Link Status Link established: Stable ON Link dropped to 100M or half duplex: LED blink (error Condition)	Fiber Link established: Stable ON	TX and RX Activity
101	Copper to 100Base-FX	Copper Link Status Link established: Stable ON Link dropped to 100M or half duplex: LED blink (error Condition)	Fiber Link established: Stable ON	TX and RX Activity
110	SGMII to Copper (1000Base-TX/ 100Base-TX/10T)	10/100M/1G Link-up: Stable ON	1G Link-up: Stable ON	TX and RX Activity

7.5.1.4 Straps for RGMII/SGMII to Copper

**Table 7-14. Copper Ethernet Strap Table**

PIN NAME	STRAP NAME	PIN NUMBER	DEFAULT	ANEG_DIS	ANEGS_EL_1	ANEGS_EL_0	FUNCTION
LED_0	ANEG_DIS	47	0	0	0	0	Auto-negotiation, 1000/100/10 advertised, Auto MDI-X
				0	0	1	Auto-negotiation, 1000/100 advertised, Auto MDI-X

**Table 7-14. Copper Ethernet Strap Table (continued)**

PIN NAME	STRAP NAME	PIN NUMBER	DEFAULT				
LED_1	ANEGSEL_0	46	0	0	1	0	Auto-negotiation, 100/10 advertised, Auto-MDI-X
				0	1	1	NA
				1	0	0	NA
LED_2	ANEGSEL_1	45	0	1	0	1	NA
				1	1	0	Forced 100M, full duplex, MDI mode
				1	1	1	Forced 100M, full duplex, MDI-X mode
RX_CTRL	MIRROR_EN	38	0	0			Port Mirroring Disabled
				1			Port Mirroring Enabled

**7.5.1.5 Straps for RGMII to 1000Base-X**

**Table 7-15. 1000Base-X Strap Table**

PIN NAME	STRAP NAME	PIN NUMBER	DEFAULT		
LED_0	ANEG_DIS	47	0	0	Fiber Auto-negotiation ON
				1	Fiber Force mode
LED_1	ANEGSEL_0	46	0	0	Signal Detect disable on Pin 24
				1	Configure Pin 24 as Signal Detect Pin

**7.5.1.6 Straps for RGMII to 100Base-FX**

**Table 7-16. 100Base-X Strap Table**

PIN NAME	STRAP NAME	PIN NUMBER	DEFAULT		
LED_1	ANEGSEL_0	46	0	0	Signal Detect disable on Pin 24
				1	Configure Pin 24 as Signal Detect Pin

**7.5.1.7 Straps for Bridge Mode (SGMII-RGMII)**

**Table 7-17. Bridge Mode Strap Table**

PIN NAME	STRAP NAME	PIN NUMBER	DEFAULT		
RX_CTRL	MIRROR_EN	38	0	0	SGMII to RGMII ( SGMII : MAC I/F, RGMII : Phy I/F)
				1	RGMII to SGMII ( RGMII : MAC I/F, SGMII : Phy I/F)

**7.5.1.8 Straps for 100M Media Convertor**

**Table 7-18. 100M Media Convertor Strap Table**

PIN NAME	STRAP NAME	PIN NUMBER	DEFAULT			
LED_1	ANEGSEL_0	46	0	ANEGSEL_1	ANEGSEL_0	
LED_2	ANEGSEL_1	45	0	0	0	Copper : Auto-negotiation ( 100/10 Advertised), Auto MDIX
				1	1	Copper : Auto Negotiation ( 100 Advertised), Auto MDIX
RX_CTRL	MIRROR_EN	38	0	0		Copper: Mirror Disable
				1		Copper: Mirror Enable
RX_CLK	LINK_LOSS	32	0	0		Link Loss Pass Thru Enabled
				1		Link Loss Pass Thru Disabled

### 7.5.1.9 Straps for 1000M Media Convertor

**Table 7-19. 1000M Media Strap Table**

PIN NAME	STRAP NAME	PIN NUMBER	DEFAULT			
LED_0	ANEG_DIS	47	0	0		Fiber Auto Negotiation
				1		Fiber Force Mode
LED_1	ANEGSEL_0	46	0	ANEGSEL_1	ANEGSEL_0	
LED_2	ANEGSEL_1	45	0	0	0	Copper : Auto-negotiation ( 1000/100 Advertised), Auto MDIX
				1	1	Copper : Auto Negotiation ( 1000 Advertised), Auto MDIX
RX_CTRL	MIRROR_EN	38	0	0		Copper: Mirror Disable
				1		Copper: Mirror Enable
RX_CLK	LINK_LOSS	32	0	0		Link Loss Pass Thru Enabled
				1		Link Loss Pass Thru Disabled

#### Note

In 1000M media converter mode, Cu Auto-negotiation does not downgrade to 100Mbps if LP supports only 100Mbps and link can fail.

### 7.5.2 LED Configuration

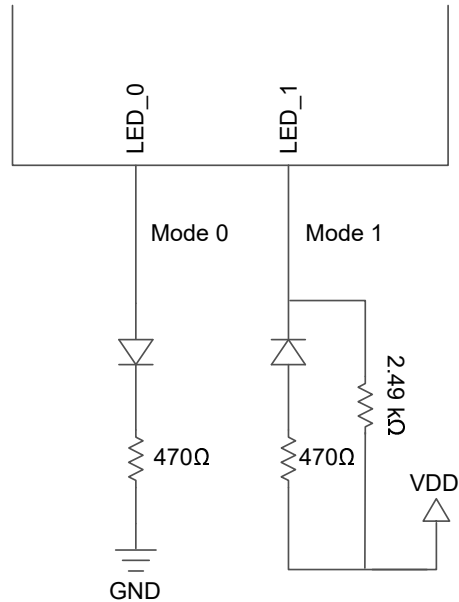
The DP83869HM supports three configurable Light Emitting Diode (LED) pins: LED\_0, LED\_1, and LED\_2. Several functions can be multiplexed onto the LEDs for different modes of operation. Based on the strapped OPMODE[2:0], the default function of each LED can change. See [Section 7.5.1.3](#) for more information. LED operation mode can be selected using the LED\_CFG1 register (address 18h).

Because the LED output pins are also used as straps, the external components required for strapping and LED usage must be considered to avoid contention. Specifically, when the LED outputs are used to drive LEDs directly, the active state of each output driver is dependent on the logic level sampled by the corresponding AN input upon power up or reset.

If a given strap input is resistively pulled low then the corresponding output is configured as an active high driver. Conversely, if a given strap input is resistively pulled high, then the corresponding output is configured as an active low driver.

Refer to [Figure 7-16](#) for an example of strap connections to external components. In this example, the strapping results in Mode 0 for LED\_0 and Mode 1 for LED\_1.

The adaptive nature of the LED outputs helps to simplify potential implementation issues of these dual purpose pins.



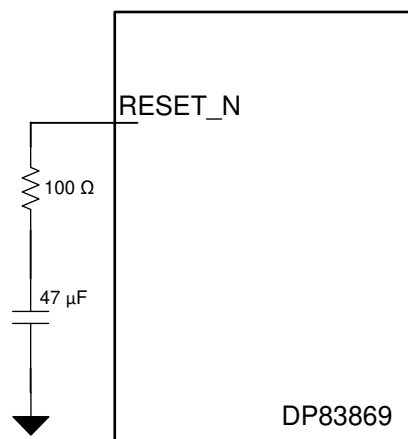
**Figure 7-16. Example Strap Connections**

The following conditions must be accounted when using LEDs:

- In RGMII-to-SGMII bridge mode with force speeds, Link LED function cannot be used.
- In both Bridge modes, LEDs can be configured to indicate TX only or RX only activity. LED indicates activity with respect to RGMII when the PHY is in Bridge mode.
- In 1000Mbps media convertor mode, the link LED corresponds to 1000M link on Copper interface. If the link speed is changed then Link LED cannot be used.
- In 100Mbps media convertor mode, the link LED corresponds to 100M link on Copper interface. If the link speed is changed then Link LED cannot be used.

### 7.5.3 Reset Operation

The DP83869HM needs external control over RESET\_N pin during power up. If RESET\_N pin is connected to host controller, then the PHY must be held in reset for a minimum of 200ms after the last supply powers up as shown in . If host controller cannot be [Figure 6-1](#) connected to RESET\_N then a 100Ω resistor and 47μF capacitor are required to be connected in series between RESET\_N pin and ground as shown in [Figure 7-17](#). During normal operation, the device can be reset by a hardware or software reset.



**Figure 7-17. RESET\_N Circuit**

#### 7.5.3.1 Hardware Reset

A hardware reset is accomplished by applying a low pulse, with a duration of at least 1 $\mu$ s, to the RESET\_N pin. This resets the device such that all registers are reinitialized to default values and the hardware configuration values are re-latched into the device (similar to the power up or reset operation).

#### 7.5.3.2 IEEE Software Reset

An IEEE registers software reset is accomplished by setting the reset bit (bit 15) of the BMCR register (address 0h). This bit resets the IEEE-defined standard registers.

#### 7.5.3.3 Global Software Reset

A global software reset is accomplished by setting bit 15 of register CTRL (address 1Fh) to 1. This bit resets all the internal circuits in the PHY including IEEE-defined registers and all the extended registers. The global software resets the device such that all registers are reset to default values and the hardware configuration values are maintained.

#### 7.5.3.4 Global Software Restart

A global software restart is accomplished by setting bit 14 of register CTRL (1Fh) to 1. This action resets all the PHY circuits except the registers in the Register File.

## 8 Register Maps

For Fiber Operations (RGMII-to-1000Base-X and RGMII-to-100Base-FX), Fiber register location 0Cxxh is mapped to 0xxxxh address location to comply with IEEE Specifications.

### 8.1 DP83869 Registers

Table 8-1 lists the memory-mapped registers for the DP83869 registers. All register offset addresses not listed in Table 8-1 should be considered as reserved locations and the register contents should not be modified.

**Table 8-1. DP83869 Registers**

Offset	Acronym	Register Name	Section
0h	BMCR	Basic Mode Control Register	<a href="#">Go</a>
1h	BMSR	Basic Mode Status Register	<a href="#">Go</a>
2h	PHYIDR1	PHY Identifier Register Number 1	<a href="#">Go</a>
3h	PHYIDR2	PHY Identifier Register Number 2	<a href="#">Go</a>
4h	ANAR	Auto-Negotiation Advertisement Register	<a href="#">Go</a>
5h	ALNPAR	Auto-Negotiation Link Partner Ability Register	<a href="#">Go</a>
6h	ANER	Auto-Negotiate Expansion Register	<a href="#">Go</a>
7h	ANNPTR	Auto-Negotiation Next Page Transmit Register	<a href="#">Go</a>
8h	ANLNPTR	Auto-Negotiation Link Partner Next Page Receive Register	<a href="#">Go</a>
9h	GEN_CFG1	Configuration Register 1	<a href="#">Go</a>
Ah	GEN_STATUS1	Status Register 1	<a href="#">Go</a>
Dh	REGCR	Register Control Register	<a href="#">Go</a>
Eh	ADDAR	Address or Data Register	<a href="#">Go</a>
Fh	1KSCR	1000BASE-T Status Register	<a href="#">Go</a>
10h	PHY_CONTROL	PHY Control Register	<a href="#">Go</a>
11h	PHY_STATUS	PHY Status Register	<a href="#">Go</a>
12h	INTERRUPT_MASK	MII Interrupt Control Register	<a href="#">Go</a>
13h	INTERRUPT_STATUS	Interrupt Status Register	<a href="#">Go</a>
14h	GEN_CFG2	Configuration Register 2	<a href="#">Go</a>
15h	RX_ERR_CNT		<a href="#">Go</a>
16h	BIST_CONTROL	BIST Control Register	<a href="#">Go</a>
17h	GEN_STATUS2	Status Register 2	<a href="#">Go</a>
18h	LEDS_CFG1	LED Configuration Register 1	<a href="#">Go</a>
19h	LEDS_CFG2	LED Configuration Register 2	<a href="#">Go</a>
1Ah	LEDS_CFG3	LED Configuration Register 3	<a href="#">Go</a>
1Eh	GEN_CFG4	Configuration Register 3	<a href="#">Go</a>
1Fh	GEN_CTRL	Control Register	<a href="#">Go</a>
23h	G_10BT_CTRL_1		<a href="#">Go</a>
25h	ANALOG_TEST_CTRL	Testmode Channel Control Register	<a href="#">Go</a>
2Ch	GEN_CFG_ENH_AMIX		<a href="#">Go</a>
2Dh	GEN_CFG_FLD		<a href="#">Go</a>
2Eh	GEN_CFG_FLD_THR		<a href="#">Go</a>
31h	GEN_CFG3	Configuration Register 4	<a href="#">Go</a>
32h	RGMII_CTRL	RGMII Control Register	<a href="#">Go</a>
33h	RGMII_CTRL2		<a href="#">Go</a>
37h	SGMII_AUTO_NEG_STATUS	SGMII Autonegotiation Status Register	<a href="#">Go</a>
39h	PRBS_TX_CHK_CTRL		<a href="#">Go</a>

**Table 8-1. DP83869 Registers (continued)**

Offset	Acronym	Register Name	Section
3Ah	PRBS_TX_CHK_BYTE_CNT		<a href="#">Go</a>
43h	G_100BT_REG0		<a href="#">Go</a>
4Fh	SERDES_SYNC_STS		<a href="#">Go</a>
50h	G_1000BT_1588_CTRL	SFD Baseline Latency Control Register	<a href="#">Go</a>
53h	G_1000BT_VTM_CFG		<a href="#">Go</a>
55h	G_1000BT_PMA_STATUS	Skew FIFO Status Register	<a href="#">Go</a>
6Eh	STRAP_STS	Strap Status Register	<a href="#">Go</a>
71h	DBG_PRBS_BYTE_CNT		<a href="#">Go</a>
72h	DBG_PRBS_ERR_CNT		<a href="#">Go</a>
7Bh	DBG_PKT_LEN_PRBS		<a href="#">Go</a>
7Ch	DBG_IPG_LEN		<a href="#">Go</a>
86h	ANA_RGMII_DLL_CTRL	RGMII Delay Control Register in Shift Mode	<a href="#">Go</a>
A0h	ANA_LD_TXG_FINE_GAINSEL_AB		<a href="#">Go</a>
A1h	ANA_LD_TXG_FINE_GAINSEL_CD		<a href="#">Go</a>
A2h	ANA_LD_FILTER_TUNE_AB		<a href="#">Go</a>
A3h	ANA_LD_FILTER_TUNE_CD		<a href="#">Go</a>
C5h	ANA_PLL_PROG_2		<a href="#">Go</a>
C6h	ANA_PLL_PROG_PI		<a href="#">Go</a>
D4h	ANA_SGMII_CTRL_2		<a href="#">Go</a>
D6h	SGMII_TESTMODE		<a href="#">Go</a>
DDh	ANA_LD_DATA_CTRL		<a href="#">Go</a>
E4h	DSP_CFG3	DSP AGC Configuration Register (Refer to Troubleshooting Guide for Usage)	<a href="#">Go</a>
E9h	DSP_HYBRID_CFG2	Sync FIFO Control Register	<a href="#">Go</a>
EFh	DSP_CFG5	CAGC DC Compensation Register (Refer to Troubleshooting Guide for Usage)	<a href="#">Go</a>
FEh	LOOPCR	Loopback Configuration Register	<a href="#">Go</a>
102h	DSP_MASTER_TC_SEL0	Leader Training Timer Register 1 (Refer to Troubleshooting Guide for Usage)	<a href="#">Go</a>
103h	DSP_MASTER_TC_SEL1	Leader Training Timer Register 2 (Refer to Troubleshooting Guide for Usage)	<a href="#">Go</a>
104h	DSP_MASTER_TC_SEL2	Leader Training Timer Register 3 (Refer to Troubleshooting Guide for Usage)	<a href="#">Go</a>
10Ch	DSP_MASTER_TLOOP_KP_STEP	DSP Timing Loop Bandwidth Register 1 (Refer to Troubleshooting Guide for Usage)	<a href="#">Go</a>
115h	DSP_SLAVE_TC_SEL0	Follower Training Timer Register 1 (Refer to Troubleshooting Guide for Usage)	<a href="#">Go</a>
118h	DSP_SLAVE_TC_SEL3	Follower Training Timer Register 2 (Refer to Troubleshooting Guide for Usage)	<a href="#">Go</a>
11Dh	DSP_SLAVE_TLOOP_KF_STEP	DSP Timing Loop Bandwidth Register 2 (Refer to Troubleshooting Guide for Usage)	<a href="#">Go</a>
11Eh	DSP_SLAVE_TLOOP_KP_STEP	DSP Timing Loop Bandwidth Register 3 (Refer to Troubleshooting Guide for Usage)	<a href="#">Go</a>
134h	RXF_CFG		<a href="#">Go</a>
135h	RXF_STATUS		<a href="#">Go</a>
136h	RXF_PMATCH_DATA1		<a href="#">Go</a>
137h	RXF_PMATCH_DATA2		<a href="#">Go</a>
138h	RXF_PMATCH_DATA3		<a href="#">Go</a>

**Table 8-1. DP83869 Registers (continued)**

Offset	Acronym	Register Name	Section
139h	RXF_SCRON_PASS1		<a href="#">Go</a>
13Ah	RXF_SCRON_PASS2		<a href="#">Go</a>
13Bh	RXF_SCRON_PASS3		<a href="#">Go</a>
13Ch	RXF_PATTERN_1		<a href="#">Go</a>
13Dh	RXF_PATTERN_2		<a href="#">Go</a>
13Eh	RXF_PATTERN_3		<a href="#">Go</a>
13Fh	RXF_PATTERN_4		<a href="#">Go</a>
140h	RXF_PATTERN_5		<a href="#">Go</a>
141h	RXF_PATTERN_6		<a href="#">Go</a>
142h	RXF_PATTERN_7		<a href="#">Go</a>
143h	RXF_PATTERN_8		<a href="#">Go</a>
144h	RXF_PATTERN_9		<a href="#">Go</a>
145h	RXF_PATTERN_10		<a href="#">Go</a>
146h	RXF_PATTERN_11		<a href="#">Go</a>
147h	RXF_PATTERN_12		<a href="#">Go</a>
148h	RXF_PATTERN_13		<a href="#">Go</a>
149h	RXF_PATTERN_14		<a href="#">Go</a>
14Ah	RXF_PATTERN_15		<a href="#">Go</a>
14Bh	RXF_PATTERN_16		<a href="#">Go</a>
14Ch	RXF_PATTERN_17		<a href="#">Go</a>
14Dh	RXF_PATTERN_18		<a href="#">Go</a>
14Eh	RXF_PATTERN_19		<a href="#">Go</a>
14Fh	RXF_PATTERN_20		<a href="#">Go</a>
150h	RXF_PATTERN_21		<a href="#">Go</a>
151h	RXF_PATTERN_22		<a href="#">Go</a>
152h	RXF_PATTERN_23		<a href="#">Go</a>
153h	RXF_PATTERN_24		<a href="#">Go</a>
154h	RXF_PATTERN_25		<a href="#">Go</a>
155h	RXF_PATTERN_26		<a href="#">Go</a>
156h	RXF_PATTERN_27		<a href="#">Go</a>
157h	RXF_PATTERN_28		<a href="#">Go</a>
158h	RXF_PATTERN_29		<a href="#">Go</a>
159h	RXF_PATTERN_30		<a href="#">Go</a>
15Ah	RXF_PATTERN_31		<a href="#">Go</a>
15Bh	RXF_PATTERN_32		<a href="#">Go</a>
15Ch	RXF_PATTERN_BYTE_MASK_1		<a href="#">Go</a>
15Dh	RXF_PATTERN_BYTE_MASK_2		<a href="#">Go</a>
15Eh	RXF_PATTERN_BYTE_MASK_3		<a href="#">Go</a>
15Fh	RXF_PATTERN_BYTE_MASK_4		<a href="#">Go</a>
16Fh	10M_SGMII_CFG		<a href="#">Go</a>
170h	IO_MUX_CFG		<a href="#">Go</a>
180h	TDR_GEN_CFG1		<a href="#">Go</a>
181h	TDR_GEN_CFG2		<a href="#">Go</a>
182h	TDR_SEG_DURATION1		<a href="#">Go</a>
183h	TDR_SEG_DURATION2		<a href="#">Go</a>

**Table 8-1. DP83869 Registers (continued)**

Offset	Acronym	Register Name	Section
184h	TDR_GEN_CFG3		<a href="#">Go</a>
185h	TDR_GEN_CFG4		<a href="#">Go</a>
186h	TDR_THRESH_CFG1		<a href="#">Go</a>
187h	TDR_THRESH_CFG2		<a href="#">Go</a>
189h	TDR_GEN_CFG5		<a href="#">Go</a>
190h	TDR_PEAKS_LOC_A_0_1		<a href="#">Go</a>
191h	TDR_PEAKS_LOC_A_2_3		<a href="#">Go</a>
192h	TDR_PEAKS_LOC_A_4_B_0		<a href="#">Go</a>
193h	TDR_PEAKS_LOC_B_1_2		<a href="#">Go</a>
194h	TDR_PEAKS_LOC_B_3_4		<a href="#">Go</a>
195h	TDR_PEAKS_LOC_C_0_1		<a href="#">Go</a>
196h	TDR_PEAKS_LOC_C_2_3		<a href="#">Go</a>
197h	TDR_PEAKS_LOC_C_4_D_0		<a href="#">Go</a>
198h	TDR_PEAKS_LOC_D_1_2		<a href="#">Go</a>
199h	TDR_PEAKS_LOC_D_3_4		<a href="#">Go</a>
1A4h	TDR_GEN_STATUS		<a href="#">Go</a>
1A5h	TDR_PEAKS_SIGN_A_B		<a href="#">Go</a>
1A6h	TDR_PEAKS_SIGN_C_D		<a href="#">Go</a>
1A8h	DBG_PRBS_PKT_CNT_1		<a href="#">Go</a>
1A9h	DBG_PRBS_PKT_CNT_2		<a href="#">Go</a>
1C2h	DSP_MASTER_STEP_4	DSP Timing Loop Bandwidth Register 4 (Refer to Troubleshooting Guide for Usage)	<a href="#">Go</a>
1C3h	DSP_SLAVE_STEP_4	DSP Timing Loop Bandwidth Register 5 (Refer to Troubleshooting Guide for Usage)	<a href="#">Go</a>
1C4h	DSP_SLAVE_STEP_5	DSP Timing Loop Bandwidth Register 6 (Refer to Troubleshooting Guide for Usage)	<a href="#">Go</a>
1C5h	DSP_SLAVE_STEP_6_7	DSP Timing Loop Bandwidth Register 7 (Refer to Troubleshooting Guide for Usage)	<a href="#">Go</a>
1DFh	OP_MODE_DECODE		<a href="#">Go</a>
1E0h	GPIO_MUX_CTRL		<a href="#">Go</a>
1ECh	MC_LINK_LOSS		<a href="#">Go</a>
C00h	FX_CTRL	Fiber Control Register	<a href="#">Go</a>
C01h	FX_STS	Fiber Status Register	<a href="#">Go</a>
C02h	FX_PHYID1	Fiber PHYID Register 1	<a href="#">Go</a>
C03h	FX_PHYID2	Fiber PHYID Register 2	<a href="#">Go</a>
C04h	FX_ANADV	Fiber Autonegotiation Advertisement Register	<a href="#">Go</a>
C05h	FX_LPABL	Fiber Link Partner Ability Register	<a href="#">Go</a>
C06h	FX_ANEXP	Fiber Autonegotiation Expansion Register	<a href="#">Go</a>
C07h	FX_LOCNP	Fiber LOC Next Page Register	<a href="#">Go</a>
C08h	FX_LPNP	Fiber Link Partner Next Page Register	<a href="#">Go</a>
C10h	CFG_FX_CTRL0	Fiber Signal Detect	<a href="#">Go</a>
C18h	FX_INT_EN	Fiber Interrupt Enable Register	<a href="#">Go</a>
C19h	FX_INT_STS	Fiber Interrupt Status Register	<a href="#">Go</a>
C1Ah	BIST_CONTROL_FX	Fiber Reverse Loopback	<a href="#">Go</a>
C30h	CFG_100FX_CTRL5	Signal Detect Polarity Configuration	<a href="#">Go</a>

Complex bit access types are encoded to fit into small table cells. [Table 8-2](#) shows the codes that are used for access types in this section.

**Table 8-2. DP83869 Access Type Codes**

Access Type	Code	Description
Read Type		
R	R	Read
RC	R C	Read to Clear
RH	R H	Read Set or cleared by hardware
Write Type		
W	W	Write
W1C	W 1C	Write 1 to clear
WoP	W	Write
WtoPH	W	Write
Reset or Default Value		
-n		Value after reset or the default value

### 8.1.1 BMCR Register (Offset = 0h) [Reset = 1140h]

BMCR is shown in [Table 8-3](#).

Return to the [Summary Table](#).

IEEE defined register to control PHY functionality.

**Table 8-3. BMCR Register Field Descriptions**

Bit	Field	Type	Reset	Description
15	RESET	R/W	0h	This bit controls the MII reset function. This bit is self cleared after reset is completed. 0h = Normal Operation 1h = Reset.
14	MII_LOOPBACK	R/W	0h	This bit controls the MII Loopback. When enabled, this sends data back to the MAC 0h = Disable 1h = Enable
13	SPEED_SEL_LSB	R/W	0h	Speed selection bits LSB[13] and MSB[6] are used to control the data rate of the ethernet link when auto-negotiation is disabled. 0h = 10Mbps 1h = 100Mbps 2h = 1000Mbps 3h = Reserved
12	AUTONEG_EN	R/W	1h	Controls autonegotiation feature 0h = Autonegotiation off 1h = Autonegotiation on
11	PWD_DWN	R/W	0h	Controls IEEE power down feature 0h = Normal Mode 1h = IEEE power down mode
10	ISOLATE	R/W	0h	Isolate MAC interface pins. 0h = Normal mode 1h = MAC Isolate mode enabled
9	RSTRT_AUTONEG	R/WtoPH	0h	Restart auto-negotiation 0h = Normal mode 1h = Restart autonegotiation

**Table 8-3. BMCR Register Field Descriptions (continued)**

Bit	Field	Type	Reset	Description
8	DUPLEX_EN	R/W	1h	Controls Half and Full duplex mode of the ethernet link 0h = Half Duplex mode 1h = Full Duplex mode
7	COL_TST	R/W	0h	Controls Collision Signal Test 0h = Disable Collision Signal Test 1h = Enable Collision Signal Test
6	SPEED_SEL_MSB	R	1h	Controls data rate of ethernet link when autonegotiation is disabled. See bit 13 description for more information.
5-0	RESERVED	R	0h	Reserved

**8.1.2 BMSR Register (Offset = 1h) [Reset = 7949h]**

BMSR is shown in [Table 8-4](#).

Return to the [Summary Table](#).

IEEE defined register to show status of PHY

**Table 8-4. BMSR Register Field Descriptions**

Bit	Field	Type	Reset	Description
15	RESERVED	R	0h	Reserved
14	100M_FDUP	R	1h	100Base-TX full duplex 0h = PHY not able to perform full duplex 100Base-X 1h = PHY able to perform full duplex 100Base-X
13	100M_HDUP	R	1h	100Base-TX halfduplex 0h = PHY not able to perform half duplex 100Base-X 1h = PHY able to perform half duplex 100Base-X
12	10M_FDUP	R	1h	10Base-Te full duplex 0h = PHY not able to operate at 10Mbps in full duplex 1h = PHY able to operate at 10Mbps in full duplex
11	10M_HDUP	R	1h	10Base-Te half duplex 0h = PHY not able to operate at 10Mbps in half duplex 1h = PHY able to operate at 10Mbps in half duplex
10	RESERVED	R	0h	Reserved
9	RESERVED	R	0h	Reserved
8	EXT_STS	R	1h	Extended status for 1000Base T abilities in register 15 1h = Extended status information in register 0x0F
7	RESERVED	R	0h	Reserved
6	MF_PREAMBLE_SUP	R	1h	Ability to accept management frames with preamble suppressed. 0h = PHY does not accept management frames with preamble suppressed 1h = PHY accepts management frames with preamble suppressed
5	AUTONEG_COMP	R	0h	Status of Autonegotiation 0h = Auto Negotiation process not completed 1h = Auto Negotiation process completed
4	REMOTE_FAULT	RC	0h	Remote fault detection 0h = No remote fault condition detected 1h = Remote fault condition detected
3	AUTONEG_ABL	R	1h	Autonegotiation ability 0h = PHY is not able to perform Auto-Negotiation 1h = PHY is able to perform Auto-Negotiation
2	LINK_STS1	R	0h	Link Status This is latch low and needs to be read twice for valid link up 0h = Link down 1h = Link up

**Table 8-4. BMSR Register Field Descriptions (continued)**

Bit	Field	Type	Reset	Description
1	JABBER_DTCT	RC	0h	Jabber detected 0h = No jabber detected 1h = Jabber detected
0	EXT_CAPBLTY	R	1h	Extended register capabilities 0h = Basic register set capabilities 1h = Extended register set capabilities

### 8.1.3 PHYIDR1 Register (Offset = 2h) [Reset = 2000h]

PHYIDR1 is shown in [Table 8-5](#).

Return to the [Summary Table](#).

The PHY Identifier Registers Number 1 and Number 2 together form a unique identifier for the DP83869. The Identifier consists of a concatenation of the Organizationally Unique Identifier (OUI), the vendor's model number and the model revision number. A PHY can return a value of zero in each of the 32 bits of the PHY Identifier if desired. The PHY Identifier is intended to support network management. Texas Instruments' IEEE assigned OUI is 080028h.

**Table 8-5. PHYIDR1 Register Field Descriptions**

Bit	Field	Type	Reset	Description
15-0	OUI_MSB	R	2000h	OUI Most Significant Bits: Bits 3 to 18 of the OUI (080028h,) are stored in bits 15 to 0 of this register respectively. Bit numbering for OUI goes from 1 (MSB) to 24(LSB). The most significant two bits of the OUI are ignored (the IEEE standard refers to these as bits 1 and 2).

### 8.1.4 PHYIDR2 Register (Offset = 3h) [Reset = A0F1h]

PHYIDR2 is shown in [Table 8-6](#).

Return to the [Summary Table](#).

**Table 8-6. PHYIDR2 Register Field Descriptions**

Bit	Field	Type	Reset	Description
15-10	OUI_LSB	R	28h	OUI Least Significant Bits: Bits 19 to 24 of the OUI (080028h) are mapped from bits 15 to 10 of this register respectively.
9-4	MODEL_NUM	R	Fh	Model number: The six bits of vendor model number are mapped from bits 9 to 4 (most significant bit to bit 9).
3-0	REVISION_NUM	R	1h	Revision number: Four bits of the vendor model revision number are mapped from bits 3 to 0 (most significant bit to bit 3). This field is to be incremented for all major device changes.

### 8.1.5 ANAR Register (Offset = 4h) [Reset = 0001h]

ANAR is shown in [Table 8-7](#).

Return to the [Summary Table](#).

This register contains the advertised abilities of this device as the advertised abilities are transmitted to the PHY's link partner during Auto-Negotiation. Any writes to this register prior to completion of Auto-Negotiation (as indicated in the Basic Mode Status Register (address 01h) Auto-Negotiation Complete bit, BMSR[5]) must be followed by a renegotiation. This makes sure that the new values are properly used in the Auto-Negotiation.

**Table 8-7. ANAR Register Field Descriptions**

Bit	Field	Type	Reset	Description
15	NEXT_PAGE_1_ADV	R/W	0h	Next Page Advertisement 0h = Do not advertise desire to send additional SW next pages 1h = Advertise desire to send additional SW next pages
14	RESERVED	R	0h	Reserved
13	REMOTE_FAULT_ADV	R/W	0h	Remote Fault Advertisement 0h = Do not advertise remote fault event detection 1h = Advertise remote fault event detection
12	ANAR_BIT12	R/W	0h	
11	ASYMMETRIC_PAUSE_ADV	R/W	0h	1b = Advertise asymmetric pause ability 0b = Do not advertise asymmetric pause ability
10	PAUSE_ADV	R/W	0h	0h = Do not advertise pause ability 1h = Advertise pause ability
9	G_100BT_4_ADV	R/W	0h	100BT-4 is not supported
8	G_100BTX_FD_ADV	R/W	0h	100Base-TX Full Duplex. Default depends on strap, non strap default '1'. 0h = Do not advertise 100Base-TX Full Duplex ability 1h = Advertise 100Base-TX Full Duplex ability
7	G_100BTX_HD_ADV	R/W	0h	100Base-TX Half Duplex. Default depends on strap, non strap default '1'. 0h = Do not advertise 100Base-TX Half Duplex ability 1h = Advertise 100Base-TX Half Duplex ability
6	G_10BT_FD_ADV	R/W	0h	Default depends on strap, non strap default '1' 0h = Do not advertise 10Base-T Full Duplex ability 1h = Advertise 10Base-T Full Duplex ability
5	G_10BT_HD_ADV	R/W	0h	Default depends on strap, non strap default '1' 0h = Do not advertise 10Base-T Half Duplex ability 1h = Advertise 10Base-T Half Duplex ability
4-0	SELECTOR_FIELD_ADV	R/W	1h	Technology selector field (802.3 == 00001)

**8.1.6 ALNPAR Register (Offset = 5h) [Reset = 0000h]**

ALNPAR is shown in [Table 8-8](#).

Return to the [Summary Table](#).

This register contains the advertised abilities of the Link Partner as received during Auto-Negotiation. The content changes after the successful Auto-Negotiation if Next pages are supported.

**Table 8-8. ALNPAR Register Field Descriptions**

Bit	Field	Type	Reset	Description
15	NEXT_PAGE_1_LP	R	0h	0h = Link Partner does not advertise desire to send additional SW next pages 1h = Link Partner advertises desire to send additional SW next pages
14	ACKNOWLEDGE_1_LP	R	0h	0h = Link Partner does not acknowledge reception of link partner's link code word 1h = Link Partner acknowledges reception of link partner's link code word
13	REMOTE_FAULT_LP	R	0h	0h = Link Partner does not advertise remote fault event detection 1h = Link Partner advertises remote fault event detection
12	RESERVED	R	0h	Reserved
11	ASYMMETRIC_PAUSE_LP	R	0h	0h = Link Partner does not advertise asymmetric pause ability 1h = Link Partner advertises asymmetric pause ability
10	PAUSE_LP	R	0h	0h = Link Partner does not advertise pause ability 1h = Link Partner advertises pause ability

**Table 8-8. ALNPAR Register Field Descriptions (continued)**

Bit	Field	Type	Reset	Description
9	G_100BT4_LP	R	0h	0h = Link Partner does not advertise 100Base-T4 ability 1h = Link Partner advertises 100Base-T4 ability
8	G_100BTX_FD_LP	R	0h	0h = Link Partner does not advertise 100Base-TX Full Duplex ability 1h = Link Partner advertises 100Base-TX Full Duplex ability
7	G_100BTX_HD_LP	R	0h	0h = Link Partner does not advertise 100Base-TX Half Duplex ability 1h = Link Partner advertises 100Base-TX Half Duplex ability
6	G_10BT_FD_LP	R	0h	0h = Link Partner does not advertise 10Base-T Full Duplex ability 1h = Link Partner advertises 10Base-T Full Duplex ability
5	G_10BT_HD_LP	R	0h	0h = Link Partner does not advertise 10Base-T Half Duplex ability 1h = Link Partner advertises 10Base-T Half Duplex ability
4-0	SELECTOR_FIELD_LP	R	0h	Technology selector field

### 8.1.7 ANER Register (Offset = 6h) [Reset = 0064h]

ANER is shown in [Table 8-9](#).

Return to the [Summary Table](#).

This register contains additional Local Device and Link Partner status information.

**Table 8-9. ANER Register Field Descriptions**

Bit	Field	Type	Reset	Description
15-7	RESERVED	R	0h	Reserved
6	RX_NEXT_PAGE_LOC_A BLE	R	1h	0h = Received Next Page storage location is not specified by bit 6.5 1h = Received Next Page storage location is specified by bit 6.5
5	RX_NEXT_PAGE_STOR_ LOC	R	1h	0h = Link Partner Next Pages are stored in register 5 1h = Link Partner Next Pages are stored in register 8
4	PRLT_TDCT_FAULE	RC	0h	THIS STATUS IS LH (Latched-High) 0h = A fault has not been detected during the parallel detection process 1h = A fault has been detected during the parallel detection process
3	LP_NP_ABLE	R	0h	0h = Link partner is not able to exchange next pages 1h = Link partner is able to exchange next pages
2	LOCAL_NP_ABLE	R	1h	0h = Local device is not able to exchange next pages 1h = Local device is able to exchange next pages
1	PAGE_RECEIVED_1	RC	0h	THIS STATUS IS LH (Latched-High) 0h = A new page has not been received 1h = A new page has been received
0	LP_AUTONEG_ABLE	R	0h	0h = Link partner is not Auto-Negotiation able 1h = Link partner is Auto-Negotiation able

### 8.1.8 ANNPTR Register (Offset = 7h) [Reset = 2001h]

ANNPTR is shown in [Table 8-10](#).

Return to the [Summary Table](#).

This register contains the next page information sent by this device to the PHY's Link Partner during Auto-Negotiation.

**Table 8-10. ANNPTR Register Field Descriptions**

Bit	Field	Type	Reset	Description
15	NEXT_PAGE_2_ADV	R/W	0h	0h = Do not advertise desire to send additional next pages 1h = Advertise desire to send additional next pages
14	RESERVED	R	0h	Reserved

**Table 8-10. ANNPTR Register Field Descriptions (continued)**

Bit	Field	Type	Reset	Description
13	MESSAGE_PAGE	R/W	1h	0h = Current page is an unformatted page 1h = Current page is a message page
12	ACKNOWLEDGE2	R/W	0h	0h = Do not set the ACK2 bit 1h = Set the ACK2 bit
11	TOGGLE	R	0h	Toggles every page. Initial value is !4.11
10-0	MESSAGE_UNFORMATTED	R/W	1h	Contents of the message/unformatted page

**8.1.9 ANLNPTR Register (Offset = 8h) [Reset = 2001h]**

ANLNPTR is shown in [Table 8-11](#).

Return to the [Summary Table](#).

This register contains the next page information sent by the Link Partner during Auto-Negotiation.

**Table 8-11. ANLNPTR Register Field Descriptions**

Bit	Field	Type	Reset	Description
15	NEXT_PAGE_2_LP	R	0h	0h = Link partner does not advertise desire to send additional next pages 1h = Link partner advertises desire to send additional next pages
14	ACKNOWLEDGE_2_LP	R	0h	0h = Link partner does not acknowledge reception of link code work 1h = Link partner acknowledges reception of link code word
13	MESSAGE_PAGE_LP	R	1h	0h = Received page is an unformatted page 1h = Received page is a message page
12	ACKNOWLEDGE2_LP	R	0h	0h = Link partner does not set the ACK2 bit 1h = Link partner sets the ACK2 bit
11	TOGGLE_LP	R	0h	Toggles every page. Initial value is !5.11
10-0	MESSAGE_UNFORMATTED_LP	R	1h	Contents of the message/unformatted page

**8.1.10 GEN\_CFG1 Register (Offset = 9h) [Reset = 0300h]**

GEN\_CFG1 is shown in [Table 8-12](#).

Return to the [Summary Table](#).

**Table 8-12. GEN\_CFG1 Register Field Descriptions**

Bit	Field	Type	Reset	Description
15-13	TEST_MODE	R/W	0h	0h = Normal Mode 1h = Test Mode 1 - Transmit Waveform Test 2h = Test Mode 2 - Transmit Jitter Test (Leader Mode) 3h = Test Mode 3 - Transmit Jitter Test (Follower Mode) 4h = Test Mode 4 - Transmit Distortion Test 5h = Test Mode 5 - Scrambled MLT3 Idles 6h = Test Mode 6 - Repetitive 0001 sequence 7h = Test Mode 7 - Repetitive {Pulse, 63 zeros}
12	LEADER_FOLLOWER_MAN_CFG_EN	R/W	0h	0h = Do not enable manual Leader/Follower configuration 1h = Enable manual Leader/Follower configuration
11	LEADER_FOLLOWER_MAN_CFG_VAL	R/W	0h	0h = Manual configure as Follower 1h = Manual configure as Leader
10	PORT_TYPE	R/W	0h	0h = Single-port device 1h = Multi-port device

**Table 8-12. GEN\_CFG1 Register Field Descriptions (continued)**

Bit	Field	Type	Reset	Description
9	G_1000BT_FD_ADV	R/W	1h	Default depends on strap 0h = Do not advertise 1000Base-T Full Duplex ability 1h = Advertise 1000Base-T Full Duplex ability
8	G_1000BT_HD_ADV	R/W	1h	Default depends on strap 0h = Do not advertise 1000Base-T Half Duplex ability 1h = Advertise 1000Base-T Half Duplex ability
7	TDR_AUTO_RUN	R/W	0h	TDR Auto Run at link down: 0h = Disable automatic execution of TDR 1h = Enable execution of TDR procedure after link down event
6-0	RESERVED	R	0h	Reserved

### 8.1.11 GEN\_STATUS1 Register (Offset = Ah) [Reset = 0000h]

GEN\_STATUS1 is shown in [Table 8-13](#).

Return to the [Summary Table](#).

**Table 8-13. GEN\_STATUS1 Register Field Descriptions**

Bit	Field	Type	Reset	Description
15	MS_CONFIG_FAULT	RC	0h	0h = No Leader/Follower configuration fault detected THIS STATUS IS LH (Latched-High) 1h = Leader/Follower configuration fault detected
14	MS_CONFIG_RES	R	0h	0h = Local PHY configuration resolved to Follower 1h = Local PHY configuration resolved to Leader
13	LOC_RCVR_STATUS_1	R	0h	0h = Local receiver is not OK 1h = Local receiver is OK
12	REM_RCVR_STATUS	R	0h	0h = Remote receiver is not OK 1h = Remote receiver is OK
11	LP_1000BT_FD_ABILITY	R	0h	0h = Link partner does not support 1000Base-T Full Duplex ability 1h = Link partner supports 1000Base-T Full Duplex ability
10	LP_1000BT_HD_ABILITY	R	0h	0h = Link partner does not support 1000Base-T Half Duplex ability 1h = Link partner supports 1000Base-T Half Duplex ability
9-8	RESERVED	R	0h	Reserved
7-0	IDLE_ERR_COUNT	R	0h	1000Base-T Idle Error Counter

### 8.1.12 REGCR Register (Offset = Dh) [Reset = 0000h]

REGCR is shown in [Table 8-14](#).

Return to the [Summary Table](#).

This register is the MDIO Manageable MMD access control. In general, register REGCR (4:0) is the device address DEVAD that directs any accesses of the ADDAR (0x000E) register to the appropriate MMD. REGCR also contains selection bits for auto increment of the data register. This register contains the device address to be written to access the extended registers. Write 0x1F into bits 4:0 of this register. REGCR also contains selection bits (15:14) for the address auto-increment mode of ADDAR.

**Table 8-14. REGCR Register Field Descriptions**

Bit	Field	Type	Reset	Description
15-14	G_FUNCTION	R/W	0h	0h = Address 1h = Data, no post increment 2h = Data, post increment on read and write 3h = Data, post increment on write only
13-5	RESERVED	R	0h	Reserved

**Table 8-14. REGCR Register Field Descriptions (continued)**

Bit	Field	Type	Reset	Description
4-0	DEVAD	R/W	0h	Device Address

**8.1.13 ADDAR Register (Offset = Eh) [Reset = 0000h]**

ADDAR is shown in [Table 8-15](#).

Return to the [Summary Table](#).

This register is the address/data MMD register. ADDAR is used in conjunction with REGCR register (0x000D) to provide the access by indirect read/write mechanism to the extended register set.

**Table 8-15. ADDAR Register Field Descriptions**

Bit	Field	Type	Reset	Description
15-0	ADDR_DATA	R/W	0h	If register 13.15:14 = 00, holds the MMD DEVAD's address register, otherwise holds the MMD DEVAD's data register

**8.1.14 1KSCR Register (Offset = Fh) [Reset = F000h]**

1KSCR is shown in [Table 8-16](#).

Return to the [Summary Table](#).

**Table 8-16. 1KSCR Register Field Descriptions**

Bit	Field	Type	Reset	Description
15	G_1000BX_FD	R	1h	0h = PHY does not support 1000Base-X Full Duplex capability 1h = PHY supports 1000Base-X Full Duplex capability
14	G_1000BX_HD	R	1h	0h = PHY does not support 1000Base-X Half Duplex capability 1h = PHY supports 1000Base-X Half Duplex capability
13	G_1000BT_FD	R	1h	0h = PHY does not support 1000Base-T Full Duplex capability 1h = PHY supports 1000Base-T Full Duplex capability
12	G_1000BT_HD	R	1h	0h = PHY does not support 1000Base-T Half Duplex capability 1h = PHY supports 1000Base-T Half Duplex capability
11-0	RESERVED	R	0h	Reserved

**8.1.15 PHY\_CONTROL Register (Offset = 10h) [Reset = 5048h]**

PHY\_CONTROL is shown in [Table 8-17](#).

Return to the [Summary Table](#).

**Table 8-17. PHY\_CONTROL Register Field Descriptions**

Bit	Field	Type	Reset	Description
15-14	TX_FIFO_DEPTH	R/W	1h	FIFO is enabled only in the following modes: 1000BaseT + GMII, 10BaseT/100BaseTX/1000BaseT + SGMII 0h = 3 bytes/nibbles (1000Mbps/Other Speeds) 1h = 4 bytes/nibbles (1000Mbps/Other Speeds) 2h = 6 bytes/nibbles (1000Mbps/Other Speeds) 3h = 8 bytes/nibbles (1000Mbps/Other Speeds)
13-12	RX_FIFO_DEPTH	R/W	1h	FIFO is enabled only when SGMII is used 0h = 3 bytes/nibbles (1000Mbps/Other Speeds) 1h = 4 bytes/nibbles (1000Mbps/Other Speeds) 2h = 6 bytes/nibbles (1000Mbps/Other Speeds) 3h = 8 bytes/nibbles (1000Mbps/Other Speeds)
11	RESERVED	R/W	0h	Reserved

**Table 8-17. PHY\_CONTROL Register Field Descriptions (continued)**

Bit	Field	Type	Reset	Description
10	FORCE_LINK_GOOD	R/W	0h	0h = Do Normal operation 1h = Force Link OK if speed is 1G
9-8	POWER_SAVE_MODE	R/W	0h	0h = Normal mode 1h = Reserved 2h = Active Sleep mode 3h = Passive Sleep mode
7	RESERVED	R/W	0h	Reserved
6-5	MDI_CROSSOVER_MODE	R/W	2h	Default depends on strap 0h = Manual MDI configuration 1h = Manual MDI-X configuration Ah = Enable automatic crossover Bh = Enable automatic crossover
4	DISABLE_CLK_125	R/W	0h	0h = Enable CLK125 1h = Disable CLK125
3	RESERVED	R/W	0h	Reserved
2	RESERVED	R/W	0h	Reserved
1	LINE_DRIVER_INV_EN	R/W	0h	This bit is not applicable in Mirror mode 0h = Do not Invert LD transmission 1h = Invert LD transmission
0	DISABLE_JABBER	R/W	0h	0h = Enable Jabber function 1h = Disable Jabber function

### 8.1.16 PHY\_STATUS Register (Offset = 11h) [Reset = 0000h]

PHY\_STATUS is shown in [Table 8-18](#).

Return to the [Summary Table](#).

**Table 8-18. PHY\_STATUS Register Field Descriptions**

Bit	Field	Type	Reset	Description
15-14	SPEED_SEL	R	0h	0h = 10Mbps 1h = 100Mbps 2h = 1000Mbps 3h = Reserved
13	DUPLEX_MODE_ENV	R	0h	0h = Half duplex 1h = Full duplex
12	PAGE_RECEIVED_2	RC	0h	THIS BIT IS LH (Latched-High), meaning that if this bit detects "Page received," this bit holds the value '1' until the register is read. The second read is '0' if there have been no further "Page received." 0h = Page not received 1h = Page received
11	SPEED_DUPLEX_RESOLVED	R	0h	0h = Auto-Negotiation enabled and not completed 1h = Auto-Negotiation completed or disabled
10	LINK_STATUS_2	R	0h	0h = Link is down 1h = Link is up
9	MDI_X_MODE_CD_1	R	0h	0h = MDI 1h = MDI-X
8	MDI_X_MODE_AB_1	R	0h	0h = MDI 1h = MDI-X
7	SPEED_OPT_STATUS	R	0h	0h = Auto-Negotiation is currently being performed without Speed Optimization 1h = Auto-Negotiation is currently being performed with Speed Optimization masking 1000BaseT abilities (Valid only during Auto-Negotiation)
6	SLEEP_MODE	R	0h	0h = Active 1h = Sleep

**Table 8-18. PHY\_STATUS Register Field Descriptions (continued)**

Bit	Field	Type	Reset	Description
5-2	WIRE_CROSS	R	0h	Indicates channels [D,C,B,A] polarity in 1000BT link 0h = Channel polarity is normal 1h = Channel polarity is reversed
1	DATA_POLARITY	R	0h	0h = 10BT is in reversed polarity 1h = 10BT is in normal polarity
0	JABBER_DTCT_2	R	0h	0h = No Jabber 1h = Jabber

**8.1.17 INTERRUPT\_MASK Register (Offset = 12h) [Reset = 0000h]**

INTERRUPT\_MASK is shown in [Table 8-19](#).

Return to the [Summary Table](#).

This register implements the Interrupt PHY Specific Control register. The individual interrupt events must be enabled by setting bits in the MII Interrupt Control Register (MICR). If the corresponding enable bit in the register is set, an interrupt is generated if the event occurs.

**Table 8-19. INTERRUPT\_MASK Register Field Descriptions**

Bit	Field	Type	Reset	Description
15	AUTONEG_ERR_INT_EN	R/W	0h	0h = Disable interrupt 1h = Enable interrupt
14	SPEED_CHNG_INT_EN	R/W	0h	0h = Disable interrupt 1h = Enable interrupt
13	DUPLEX_MODE_CHNG_INT_EN	R/W	0h	0h = Disable interrupt 1h = Enable interrupt
12	PAGE_RECEIVED_INT_EN	R/W	0h	0h = Disable interrupt 1h = Enable interrupt
11	AUTONEG_COMP_INT_EN	R/W	0h	0h = Disable interrupt 1h = Enable interrupt
10	LINK_STATUS_CHNG_INT_EN	R/W	0h	0h = Disable interrupt 1h = Enable interrupt
9	EEE_ERR_INT_EN	R/W	0h	0h = Disable interrupt 1h = Enable interrupt
8	FALSE_CARRIER_INT_EN	R/W	0h	0h = Disable interrupt 1h = Enable interrupt
7	ADC_FIFO_OVF_UNF_INT_EN	R/W	0h	0h = Disable interrupt 1h = Enable interrupt
6	MDI_CROSSOVER_CHNG_INT_EN	R/W	0h	0h = Disable interrupt 1h = Enable interrupt
5	SPEED_OPT_EVENT_INT_EN	R/W	0h	0h = Disable interrupt 1h = Enable interrupt
4	SLEEP_MODE_CHNG_INT_EN	R/W	0h	0h = Disable interrupt 1h = Enable interrupt
3	WOL_INT_EN	R/W	0h	0h = Disable interrupt 1h = Enable interrupt
2	XGMII_ERR_INT_EN	R/W	0h	0h = Disable interrupt 1h = Enable interrupt
1	POLARITY_CHNG_INT_EN	R/W	0h	0h = Disable interrupt 1h = Enable interrupt
0	JABBER_INT_EN	R/W	0h	0h = Disable interrupt 1h = Enable interrupt

### 8.1.18 INTERRUPT\_STATUS Register (Offset = 13h) [Reset = 0000h]

INTERRUPT\_STATUS is shown in [Table 8-20](#).

Return to the [Summary Table](#).

This register contains event status for the interrupt function. If an event has occurred since the last read of this register, the corresponding status bit is to be set. The status indications in this register is to be set even if the interrupt is not enabled.

**Table 8-20. INTERRUPT\_STATUS Register Field Descriptions**

Bit	Field	Type	Reset	Description
15	AUTONEG_ERR	RC	0h	0h = Auto-Negotiation error has not occurred THIS BIT IS LH (Latched-High) 1h = Auto-Negotiation error has occurred
14	SPEED_CHNG	RC	0h	0h = Link speed has not changed THIS BIT IS LH (Latched-High) 1h = Link speed has changed
13	DUPLEX_MODE_CHNG	RC	0h	0h = Duplex mode has not changed THIS BIT IS LH (Latched-High) 1h = Duplex mode has changed
12	PAGE_RECEIVED	RC	0h	0h = Page has not been received THIS BIT IS LH (Latched-High) 1h = Page has been received
11	AUTONEG_COMP	RC	0h	0h = Auto-Negotiation has not completed THIS BIT IS LH (Latched-High) 1h = Auto-Negotiation has completed
10	LINK_STATUS_CHNG	RC	0h	0h = Link status has not changed THIS BIT IS LH (Latched-High) 1h = Link status has changed
9	EEE_ERR_STATUS	R	0h	1h = EEE error has been detected
8	FALSE_CARRIER	RC	0h	0h = Disable interrupt THIS BIT IS LH (Latched-High) 1h = Enable interrupt
7	ADC_FIFO_OVF_UNF	RC	0h	1h = Overflow / underflow has been detected in one of ADC's FIFOs THIS BIT IS LH (Latched-High)
6	MDI_CROSSOVER_CHNG	RC	0h	0h = MDI crossover has not changed THIS BIT IS LH (Latched-High) 1h = MDI crossover has changed
5	SPEED_OPT_EVENT	RC	0h	0h = MDI crossover has not changed THIS BIT IS LH (Latched-High) 1h = MDI crossover has changed
4	SLEEP_MODE_CHNG	RC	0h	0h = Sleep mode has not changed THIS BIT IS LH (Latched-High) 1h = Sleep mode has changed
3	WOL_STATUS	R	0h	1h = WoL (or pattern) packet has been received
2	XGMII_ERR_STATUS	R	0h	0h = Overflow / underflow has not been detected 1h = Overflow / underflow has been detected in one of GMII / RGMII / SGMII buffers
1	POLARITY_CHNG	R	0h	0h = Data polarity has not changed THIS BIT IS LH (Latched-High) 1h = Data polarity has changed
0	JABBER	RC	0h	0h = Jabber not detected THIS BIT IS LH (Latched-High) 1h = Jabber detected

### 8.1.19 GEN\_CFG2 Register (Offset = 14h) [Reset = 29C7h]

GEN\_CFG2 is shown in [Table 8-21](#).

Return to the [Summary Table](#).

**Table 8-21. GEN\_CFG2 Register Field Descriptions**

Bit	Field	Type	Reset	Description
15	PD_DETECT_EN	R/WtoPH	0h	0h = Disable PD detection 1h = Enable PD (Powered Device) detection
14	SGMII_TX_ERR_DIS	R/W	0h	0h = Enable SGMII TX Error indication 1h = Disable SGMII TX Error indication

**Table 8-21. GEN\_CFG2 Register Field Descriptions (continued)**

Bit	Field	Type	Reset	Description
13	INTERRUPT_POLARITY	R/W	1h	0h = Interrupt pin is active high 1h = Interrupt pin is active low
12	SGMII_SOFT_RESET	R/WtoPH	0h	Setting this bit generates a soft reset pulse of SGMII. This register is WSC (write-self-clear).
11-10	SPEED_OPT_ATTEMPT_CNT	R/W	2h	Selects the number of 1G link establishment attempt failures prior to performing Speed Optimization: 0h = 1 attempt 1h = 2 attempts 2h = 4 attempts 3h = 8 attempts
9	SPEED_OPT_EN	R/W	0h	0h = Disable Speed Optimization 1h = Enable Speed Optimization
8	SPEED_OPT_ENHANCE_D_EN	R/W	1h	In enhanced mode, speed is optimized if energy is not detected in channels C and D 0h = Disable Speed Optimization enhanced mode 1h = Enable Speed Optimization enhanced mode
7	SGMII_AUTONEG_EN	R/W	1h	0h = Disable SGMII Auto-Negotiation 1h = Enable SGMII Auto-Negotiation
6	SPEED_OPT_10M_EN	R/W	1h	0h = Disable speed optimization to 10M 1h = Enable speed optimization to 10M (If link establishments of 1G and 100M fail)
5-4	MII_CLK_CFG	R/W	0h	Selects frequency of GMII_TX_CLK in 1G mode: 0h = 2.5Mhz 1h = 25Mhz 2h = Disabled 3h = Disabled
3	COL_FD_EN	R/W	0h	0h = Disable COL indication in full duplex mode 1h = Enable COL indication in full duplex mode
2	LEGACY_CODING_TXM_ODE_EN	R/W	1h	0h = Disable automatic selection of Legacy scrambler mode in 1G, Leader mode 1h = Enable automatic selection of Legacy scrambler mode in 1G, Leader mode
1	LEADER_SEMI_CROSS_EN	R/W	1h	0h = Disable semi-cross mode in 1G Leader mode 1h = Enable semi-cross mode in 1G Leader mode
0	FOLLOWER_SEMI_CROSS_EN	R/W	1h	0h = Disable semi-cross mode in 1G Follower mode 1h = Enable semi-cross mode in 1G Follower mode

**8.1.20 RX\_ERR\_CNT Register (Offset = 15h) [Reset = 0000h]**

RX\_ERR\_CNT is shown in [Table 8-22](#).

Return to the [Summary Table](#).

**Table 8-22. RX\_ERR\_CNT Register Field Descriptions**

Bit	Field	Type	Reset	Description
15-0	RX_ERROR_COUNT	R/W1C	0h	Receive Error Counter

**8.1.21 BIST\_CONTROL Register (Offset = 16h) [Reset = 0000h]**

BIST\_CONTROL is shown in [Table 8-23](#).

Return to the [Summary Table](#).

This register is used for Build-In Self Test (BIST) configuration. The BIST functionality provides Pseudo Random Bit Stream (PRBS) mechanism including packet generation generator and checker. Selection of the exact loopback point in the signal chain is also done in this register.

**Table 8-23. BIST\_CONTROL Register Field Descriptions**

Bit	Field	Type	Reset	Description
15-12	PACKET_GEN_EN_3:0	R/W	0h	These bits along controls PRBS generator. Other values are not applicable. 0h = Disable PRBS Fh = Enable Continuous PRBS
11-10	RESERVED	R	0h	Reserved
9	RESERVED	R/W	0h	Reserved
8	RESERVED	R/W	0h	Reserved
7	REV_LOOP_RX_DATA_CTRL	R/W	0h	Reverse Loopback Receive Data Control: This bit can only be set in Reverse Loopback mode 0h = Suppress RX packets to MAC in reverse loop 1h = Send RX packets to MAC in reverse loop
6	MII_LOOP_TX_DATA_CTRL	R/W	0h	MII Loopback Transmit Data Control: This bit can only be set in MII Loopback mode 0h = Suppress data to MDI in MII loop 1h = Transmit data to MDI in MII loop
5-2	LOOP_TX_DATA_MIX	R/W	0h	Loopback Mode Select: PCS loopback must be disabled (Bits[1:0] = 00) 0h = No Loopback 1h = Digital Loopback 2h = Analog Loopback 4h = External Loopback 8h = Reverse Loopback
1-0	LOOPBACK_MODE	R/W	0h	PCS loopback select – When configured in 1000Base-T, X1b : Loop before 1000Base-T signal processing when configured in 100Base-TX, 0h = See bits [5:2] 01b = Loop before scrambler 10b = Loop after scrambler, before MLT3 encoder 11b = Loop after MLT3 encoder (full TX/RX path)

### 8.1.22 GEN\_STATUS2 Register (Offset = 17h) [Reset = 0040h]

GEN\_STATUS2 is shown in [Table 8-24](#).

Return to the [Summary Table](#).

**Table 8-24. GEN\_STATUS2 Register Field Descriptions**

Bit	Field	Type	Reset	Description
15	PD_PASS	RC	0h	0h = PD has not been detected 1h = PD (Powered Device) has been successfully detected
14	PD_PULSE_DET_ZERO	RC	0h	0h = PD detection mechanism has received signal 1h = PD detection mechanism has received no signal
13	PD_FAIL_WD	RC	0h	0h = PD detection mechanism watchdog has not expired 1h = PD detection mechanism watchdog has expired
12	PD_FAIL_NON_PD	RC	0h	0h = PD detection mechanism has not detected a non-powered device 1h = PD detection mechanism has detected a non-powered device
11	PRBS_LOCK	R	0h	0h = PRBS checker is not locked 1h = PRBS checker is locked (sync) on received byte stream
10	PRBS_SYNC_LOSS	R	0h	0h = PRBS checker has not lost sync LH - clear on read register 1h = PRBS checker has lost sync
9	PKT_GEN_BUSY	R	0h	0h = Packet generator is not in process 1h = Packet generator is in process
8	SCR_MODE_LEADER_1G	R	0h	0h = 1G PCS (leader) is in normal encoding mode 1h = 1G PCS (leader) is in legacy encoding mode
7	SCR_MODE_FOLLOWER_1G	R	0h	0h = 1G PCS (follower) is in normal encoding mode 1h = 1G PCS (follower) is in legacy encoding mode

**Table 8-24. GEN\_STATUS2 Register Field Descriptions (continued)**

Bit	Field	Type	Reset	Description
6	CORE_PWR_MODE	R	1h	0h = Core is powered down or in sleep mode 1h = Core is in normal power mode
5-0	RESERVED	R	0h	Reserved

**8.1.23 LEDS\_CFG1 Register (Offset = 18h) [Reset = 6XXXh]**LEDS\_CFG1 is shown in [Table 8-25](#).Return to the [Summary Table](#).**Table 8-25. LEDS\_CFG1 Register Field Descriptions**

Bit	Field	Type	Reset	Description
15-12	LED_GPIO_SEL	R/W	6h	Source of GPIO LED, same as bits 3:0
11-8	LED_2_SEL	R/W	Xh	See Strap Configuration section for defaults. Source of LED_2 (LED 2), same as bits 3:0
7-4	LED_1_SEL	R/W	Xh	See Strap Configuration section for defaults. Source of LED_1 (LED 1)
3-0	LED_0_SEL	R/W	Xh	See Strap Configuration section for defaults. Source of LED_0 (LED 0) 0h = link OK 1h = RX/TX activity 2h = TX activity 3h = RX activity 4h = collision detected 5h = 1000BT/1000BASE-X link is up 6h = 100 BTX/100BASE-FX link is up 7h = 10BT link is up 8h = 10/100BT link is up 9h = 100/1000BT link is up Ah = full duplex Bh = link status for copper only + blink on TX/RX activity Ch = NA Dh = RX_ER or TX_ER Eh = RX_ER

**8.1.24 LEDS\_CFG2 Register (Offset = 19h) [Reset = 4444h]**LEDS\_CFG2 is shown in [Table 8-26](#).Return to the [Summary Table](#).**Table 8-26. LEDS\_CFG2 Register Field Descriptions**

Bit	Field	Type	Reset	Description
15	RESERVED	R	0h	Reserved
14	LED_GPIO_POLARITY	R/W	1h	GPIO LED polarity: Default depends on strap, non strap default Active High 0h = Active low 1h = Active high
13	LED_GPIO_DRV_VAL	R/W	0h	If bit 12 is set, this is the value of GPIO LED
12	LED_GPIO_DRV_EN	R/W	0h	Force value to LED_GPIO as per bit 13 0h = LED_GPIO is in normal operation mode 1h = Force the value of LED_GPIO
11	RESERVED	R	0h	Reserved
10	LED_2_POLARITY	R/W	1h	LED_2 polarity. Default depends on strap, non strap default Active High 0h = Active low 1h = Active high

**Table 8-26. LEDS\_CFG2 Register Field Descriptions (continued)**

Bit	Field	Type	Reset	Description
9	LED_2_DRV_VAL	R/W	0h	If bit 8 is set, this is the value of LED_2
8	LED_2_DRV_EN	R/W	0h	Force value to LED_GPIO as per bit 9 0h = LED_2 is in normal operation mode 1h = Drive the value of LED_2
7	RESERVED	R	0h	Reserved
6	LED_1_POLARITY	R/W	1h	LED_1 polarity: Default depends on strap, non strap default Active High 0h = Active low 1h = Active high
5	LED_1_DRV_VAL	R/W	0h	If bit 4 is set, this is the value of LED_1
4	LED_1_DRV_EN	R/W	0h	Force value to LED_GPIO as per bit 5 0h = LED_1 is in normal operation mode 1h = Drive the value of LED_1
3	RESERVED	R	0h	Reserved
2	LED_0_POLARITY	R/W	1h	LED_0 polarity: Default depends on strap, non strap default Active High 0h = Active low 1h = Active high
1	LED_0_DRV_VAL	R/W	0h	If bit 1 is set, this is the value of LED_0
0	LED_0_DRV_EN	R/W	0h	Force value to LED_GPIO as per bit 1 0h = LED_0 is in normal operation mode 1h = Drive the value of LED_0

### 8.1.25 LEDS\_CFG3 Register (Offset = 1Ah) [Reset = 0002h]

LEDS\_CFG3 is shown in [Table 8-27](#).

Return to the [Summary Table](#).

**Table 8-27. LEDS\_CFG3 Register Field Descriptions**

Bit	Field	Type	Reset	Description
15-3	RESERVED	R	0h	Reserved
2	LEDS_BYPASS_STRETCHING	R/W	0h	0b = Normal Operation 1b = Bypass LEDs stretching
1-0	LEDS_BLINK_RATE	R/W	2h	00b = 20Hz (50mSec) 01b = 10Hz (100mSec) 10b = 5Hz (200mSec) 11b = 2Hz (500mSec)

### 8.1.26 GEN\_CFG4 Register (Offset = 1Eh) [Reset = 0012h]

GEN\_CFG4 is shown in [Table 8-28](#).

Return to the [Summary Table](#).

**Table 8-28. GEN\_CFG4 Register Field Descriptions**

Bit	Field	Type	Reset	Description
15	RESERVED	R/W	0h	Reserved
14	CFG_FAST_ANEG_EN	R/W	0h	Enable Fast ANEG mode
13-12	CFG_FAST_ANEG_SEL_VAL	R/W	0h	When Fast ANEG mode enabled, this value selects short timer duration 0x0 is the shortest timers config and 0x2 the longest
11	CFG_ANEG_ADV_FD_EN	R/W	0h	this bit enables to declare FD also in parallel detect link, the IEEE defines on parallel detect to always declare HD, this bit allows also to declare FD in this scenario

**Table 8-28. GEN\_CFG4 Register Field Descriptions (continued)**

Bit	Field	Type	Reset	Description
10	RESTART_STATUS_BITS_EN	R/W	0h	reset enable 0h = do not clear the status bit 1h = clear all the phy status bits (part of register 0x11)
9	CFG_ROBUST_AMDIX_EN	R/W	0h	Enable Robust Auto MDI/MDIX resolution
8	CFG_FAST_AMDIX_EN	R/W	0h	Enable Fast Auto MDI-X mode
7	INT_OE	R/W	0h	Interrupt Output Enable: 0h = INTN/PWDN Pad in an Power Down Input 1h = INTN/PWDN Pad is an Interrupt Output
6	FORCE_INTERRUPT	R/W	0h	0h = Normal interrupt mode 1h = Assert interrupt pin
5	RESERVED	R/W	0h	Reserved
4	RESERVED	R/W	0h	Reserved
3	FORCE_1G_AUTONEG_EN	R/W	0h	0h = Do not invoke Auto-Negotiation when manual speed in register 0x0000 is 1G 1h = Invoke Auto-Negotiation with only 1G advertised when manual speed in register 0x0000 is 1G
2	TDR_FAIL	R	0h	
1	TDR_DONE	R	1h	
0	TDR_START	R/WtoPH	0h	0h = TDR Completed 1h = Start TDR

**8.1.27 GEN\_CTRL Register (Offset = 1Fh) [Reset = 0000h]**

GEN\_CTRL is shown in [Table 8-29](#).

Return to the [Summary Table](#).

**Table 8-29. GEN\_CTRL Register Field Descriptions**

Bit	Field	Type	Reset	Description
15	SW_RESET	R/WtoPH	0h	Software Reset - This resets the PHY and return registers to the PHY's default values. Registers controlled via strap pins return back to the PHY's last strapped values. 0h = Normal mode 1h = Reset PHY
14	SW_RESTART	R/WtoPH	0h	Soft Restart Restarts the PHY without affecting registers. 0h = Normal Operation 1h = Software Reset
13	RESERVED	R/W	0h	Reserved
12-7	RESERVED	R/W	0h	Reserved
6-0	RESERVED	R/W	0h	Reserved

**8.1.28 G\_10BT\_CTRL\_1 Register (Offset = 23h) [Reset = 8D1Ch]**

G\_10BT\_CTRL\_1 is shown in [Table 8-30](#).

Return to the [Summary Table](#).

**Table 8-30. G\_10BT\_CTRL\_1 Register Field Descriptions**

Bit	Field	Type	Reset	Description
15-12	TX_ALPHA	R/W	8h	Alpha factor used by 10Base-Te TX sine interpolator Default value is 8h but use 9h for 10Base-Te compliance test. Configure this bit if 10M is planned to be used.
11	RESERVED	R/W	0h	Reserved
10	RESERVED	R/W	0h	Reserved
9	RESERVED	R/W	0h	Reserved
8	RESERVED	R/W	0h	Reserved
7	RESERVED	R/W	0h	Reserved
6	RESERVED	R/W	0h	Reserved
5-0	RESERVED	R/W	0h	Reserved

### 8.1.29 ANALOG\_TEST\_CTRL Register (Offset = 25h) [Reset = 0480h]

ANALOG\_TEST\_CTRL is shown in [Table 8-31](#).

Return to the [Summary Table](#).

**Table 8-31. ANALOG\_TEST\_CTRL Register Field Descriptions**

Bit	Field	Type	Reset	Description
15-12	RESERVED	R	0h	Reserved
11-10	TM7_PULSE_SEL	R/W	1h	Selects pulse amplitude and polarity for Test Mode 7 (See register 0x9): 0h = +2 1h = -2 2h = +1 3h = -1
9	EXTND_TM7_100BT_MSB	R/W	0h	MSB of configurable length for 100BT extended TM7 For 100BT Test Mode: repetitive sequence of "1" with configurable number of "0". Bits { 9,[3:0] } define the number of "0" to follow the "1", from 1 to 31. 0,0001 - 1,1111 : single "0" to 31 zeros. 0,0000 - clear the shiftreg.
8	EXTND_TM7_100BT_EN	R/W	0h	Enable extended TM7 for 100M. NOTE1: bit 4 must be "0" for 100BT TestMode. NOTE2: 100BT testmode must be Clear before applying new Value. e.g, one need to write 0x0 before configuring new value. NOTE3: use FORCE100 for 100BT testing, via Reg0x0.
7-5	STIM_CH_SEL	R/W	4h	Selects the channel or channels that outputs the test mode: If bit 7 is set, test mode is driven to all channels. If bit 7 is cleared, test mode is driven according to bits 6:5 - 00b = Channel A 01b = Channel B 10b = Channel C 11b = Channel D
4-0	ANALOG_TEST	R/W	0h	Bit [4] enables 10BaseT test modes.. Bits [3:0] select the 10BaseT test pattern, as follows: To operate extended TM7 for 100BT, bits 3:0 shall be configured as well - more details in bit 9 0000b = Single NLP 0001b = Single Pulse 1 0010b = Single Pulse 0 0011b = Repetitive 1 0100b = Repetitive 0 0101b = Preamble (repetitive "10") 0110b = Single 1 followed by TP_IDLE 0111b = Single 0 followed by TP_IDLE 1000b = Repetitive "1001" sequence 1001b = Random 10Base-T data 1010b = TP_IDLE_00 1011b = TP_IDLE_01 1100b = TP_IDLE_10 1101b = TP_IDLE_11 0110b = Proprietary T.M for amplitude, RFT, DCD and template for FT on tester (1000) ---> need to write register 0 0x2000

### 8.1.30 GEN\_CFG\_ENH\_AMIX Register (Offset = 2Ch) [Reset = 141Fh]

GEN\_CFG\_ENH\_AMIX is shown in [Table 8-32](#).

Return to the [Summary Table](#).

**Table 8-32. GEN\_CFG\_ENH\_AMIX Register Field Descriptions**

Bit	Field	Type	Reset	Description
15-14	RESERVED	R	0h	Reserved
13-9	CFG_FLD_WINDW_CNT	R/W	Ah	Counter to define the window in which we look for fast link down criteria, default 10usec
8-4	CFG_FAST_AMDIX_VAL	R/W	1h	Timer of the MDI/MDI-X switch cuonterin force 100m fast amdix mode, very fast as the PHY need only to allow far end to detect energy 4ms in default
3-0	CFG_ROBUST_AMDIX_VAL	R/W	Fh	The value of the timer that switch MDI/X in robust mode, this is a long timer to allow far end to still do parallel detect with he IEEE ANEG timers Default 0.5s

### 8.1.31 GEN\_CFG\_FLD Register (Offset = 2Dh) [Reset = 0000h]

GEN\_CFG\_FLD is shown in [Table 8-33](#).

Return to the [Summary Table](#).

**Table 8-33. GEN\_CFG\_FLD Register Field Descriptions**

Bit	Field	Type	Reset	Description
15	CFG_FORCE_DROP_LINK_EN	R/W	0h	Drop link (stop transmitting) when no signal is received
14	FLD_BYPASS_MAX_WAIT_TIMER	R/W	0h	If set, MAX_WAIT_TIMER is skipped (and therefore link is dropped faster)
13	SLICER_OUT_STUCK	R	0h	indicate slicer)out_stuck status
12-8	FLD_STATUS	R	0h	Fast link down status LH - clear on read register
7-5	RESERVED	R	0h	Reserved
4-0	CFG_FAST_LINK_DOWN_MODES	R/W	0h	5 bits for different fast link down option (can all work simultaneously): bit [0] - energy lost bit [1] - mse bit [2] - mlt3 errors bit [3] - rx_err bit [4] - descrambler sync loss

### 8.1.32 GEN\_CFG\_FLD\_THR Register (Offset = 2Eh) [Reset = 0221h]

GEN\_CFG\_FLD\_THR is shown in [Table 8-34](#).

Return to the [Summary Table](#).

**Table 8-34. GEN\_CFG\_FLD\_THR Register Field Descriptions**

Bit	Field	Type	Reset	Description
15-11	RESERVED	R	0h	Reserved
10-8	ENERGY_WINDOW_LEN_FLD	R/W	2h	Window length in FLD energy lost mode for energy detection accumulator
7	RESERVED	R	0h	Reserved
6-4	ENERGY_ON_FLD_THR	R/W	2h	energy lost threshold for FLD energy lost mode. energy_detected indication is asserted when energy detector accumulator exceeds this threshold.
3	RESERVED	R	0h	Reserved

**Table 8-34. GEN\_CFG\_FLD\_THR Register Field Descriptions (continued)**

Bit	Field	Type	Reset	Description
2-0	ENERGY_LOST_FLD_THR	R/W	1h	energy lost threshold for FLD energy lost mode energy_lost indication is asserted if energy detector accumulator falls below this threshold.

### 8.1.33 GEN\_CFG3 Register (Offset = 31h) [Reset = 10B0h]

GEN\_CFG3 is shown in [Table 8-35](#).

Return to the [Summary Table](#).

**Table 8-35. GEN\_CFG3 Register Field Descriptions**

Bit	Field	Type	Reset	Description
15	RESERVED	R	0h	Reserved
14	RESERVED	R/W	0h	Reserved
13	RESERVED	R/W	0h	Reserved
12	RESERVED	R/W	0h	Reserved
11-9	RESERVED	R	0h	Reserved
8	RESERVED	R/W	0h	Reserved
7	RESERVED	R/W	0h	Reserved
6-5	SGMII_AUTONEG_TIME R	R/W	1h	Selects duration of SGMII Auto-Negotiation timer: 0h = 1.6ms 1h = 2µs 2h = 800µs 3h = 11ms
4	RESERVED	R/W	0h	Reserved
3	RESERVED	R/W	0h	Reserved
2	RESERVED	R/W	0h	Reserved
1	RESERVED	R	0h	Reserved
0	PORT_MIRRORING_MODE	R/W	0h	Port mirroring mode: 0h = Disabled

### 8.1.34 RGMII\_CTRL Register (Offset = 32h) [Reset = 00D0h]

RGMII\_CTRL is shown in [Table 8-36](#).

Return to the [Summary Table](#).

**Table 8-36. RGMII\_CTRL Register Field Descriptions**

Bit	Field	Type	Reset	Description
15	RESERVED	R	0h	Reserved
14	RESERVED	R	0h	Reserved
13	RESERVED	R	0h	Reserved
12	RESERVED	R	0h	Reserved
11	RESERVED	R/W	0h	Reserved
10	RESERVED	R	0h	Reserved
9	RESERVED	R/W	0h	Reserved
8	RESERVED	R/W	0h	Reserved
7	RESERVED	R/W	0h	Reserved

**Table 8-36. RGMII\_CTRL Register Field Descriptions (continued)**

Bit	Field	Type	Reset	Description
6-5	RGMII_RX_HALF_FULL_THR	R/W	2h	RGMII RX sync FIFO Half-full Threshold Bits 1:0 of the 3-bit threshold field. Bit2 can be found in Reg 0x33[1]. The default setting 2 starts a FIFO read when the difference between the write and read pointer is 4. The TX/RX FIFOs have a depth of 8. Increasing the threshold from 2 to 3 increases the latency by 1 read cycle; while decreasing the threshold from 2 to 1 decreases latency by 1 read cycle. If the difference between ppm of the read and write clocks is significant, a half-full threshold can cause either FIFO underflow or overflow.
4-3	RGMII_TX_HALF_FULL_THR	R/W	2h	RGMII TX sync FIFO Half-full Thresholds Bits 1:0 of the 3-bit threshold field. Bit2 can be found in Reg 0x33[0] See RGMII_RX_HALF_FULL_THR for more details.
2	SUPPRESS_TX_ERR_EN	R/W	0h	
1	RGMII_TX_CLK_DELAY	R/W	0h	RGMII Transmit Clock Delay 0h = RGMII transmit clock is shifted with respect to transmit data. 1h = RGMII transmit clock is aligned with respect to transmit data.
0	RGMII_RX_CLK_DELAY	R/W	0h	RGMII Receive Clock Delay 0h = RGMII receive clock is shifted with respect to receive data. 1h = RGMII transmit clock is aligned with respect to receive data.

**8.1.35 RGMII\_CTRL2 Register (Offset = 33h) [Reset = 0000h]**RGMII\_CTRL2 is shown in [Table 8-37](#).Return to the [Summary Table](#).**Table 8-37. RGMII\_CTRL2 Register Field Descriptions**

Bit	Field	Type	Reset	Description
15-5	RESERVED	R	0h	Reserved
4	RGMII_AF_BYPASS_EN	R/W	0h	RGMII Async FIFO Bypass Enable: 0h = Normal operation. 1h = Enable RGMII Async FIFO Bypass.
3	RGMII_AF_BYPASS_DLY_EN	R/W	0h	RGMII Async FIFO Bypass Delay Enable: 0h = Normal operation 1h = Delay RX_CLK when operating in 10/100 with RGMII.
2	LOW_LATENCY_10_100_EN	R/W	0h	Low Latency 10/100 Enable: 0h = Normal operation. 1h = Enable low latency in 10/100 operation.
1	RGMII_RX_HALF_FULL_THR_MSB	R/W	0h	RGMII RX sync FIFO Half-full Threshold Bit2 of the 3-bit threshold field. Bits 1:0 can be found in Reg 0x32[6:5], respectively.
0	RGMII_TX_HALF_FULL_THR_MSB	R/W	0h	RGMII TX sync FIFO Half-full Threshold Bit2 of the 3-bit threshold field. Bits 1:0 can be found in Reg 0x32[4:3], respectively.

**8.1.36 SGMII\_AUTO\_NEG\_STATUS Register (Offset = 37h) [Reset = 0000h]**SGMII\_AUTO\_NEG\_STATUS is shown in [Table 8-38](#).Return to the [Summary Table](#).**Table 8-38. SGMII\_AUTO\_NEG\_STATUS Register Field Descriptions**

Bit	Field	Type	Reset	Description
15-2	RESERVED	R	0h	Reserved
1	SGMII_PAGE_RX	R	0h	1b = indicate that a new auto-neg page is received

**Table 8-38. SGMII\_AUTO\_NEG\_STATUS Register Field Descriptions (continued)**

Bit	Field	Type	Reset	Description
0	SGMII_AUTONEG_COMPLETED	R	0h	0h = Auto-Negotiation process not completed 1h = Auto-Negotiation process completed

### 8.1.37 PRBS\_TX\_CHK\_CTRL Register (Offset = 39h) [Reset = 0000h]

PRBS\_TX\_CHK\_CTRL is shown in [Table 8-39](#).

Return to the [Summary Table](#).

**Table 8-39. PRBS\_TX\_CHK\_CTRL Register Field Descriptions**

Bit	Field	Type	Reset	Description
15	RESERVED	R	0h	Reserved
14-7	PRBS_TX_CHK_ERR_COUNT	R	0h	Holds number of errored bytes that received by the PRBS TX checker. When TX PRBS Count Mode (see bit [1]) set to 0, count stops on 0xFF. Notes: Writing bit 7 generates a lock signal for the PRBS TX counters. Writing bit 8 generates a lock and clear signal for the PRBS TX counters
6	RESERVED	R	0h	Reserved
5	PRBS_TX_CHK_SYNC_LOSS	R	0h	0h = PRBS TX checker has not lost sync This bit is LH 1h = PRBS TX checker has lost sync
4	PRBS_TX_CHK_LOCK_STATUS	R	0h	0h = PRBS TX checker is not locked 1h = PRBS TX checker is locked on received byte stream
3	RESERVED	R	0h	Reserved
2	PRBS_TX_CHK_BYTE_COUNTER_OVF	R	0h	If set, bytes counter reached overflow
1	PRBS_TX_CHK_CNT_MODE	R/W	0h	PRBS Checker Mode 0h = Single Mode. 1h = Continuous mode
0	PRBS_TX_CHK_EN	R/W	0h	If set, PRBS TX checker is enabled (PRBS TX checker is used in external reverse loop)

### 8.1.38 PRBS\_TX\_CHK\_BYTE\_CNT Register (Offset = 3Ah) [Reset = 0000h]

PRBS\_TX\_CHK\_BYTE\_CNT is shown in [Table 8-40](#).

Return to the [Summary Table](#).

**Table 8-40. PRBS\_TX\_CHK\_BYTE\_CNT Register Field Descriptions**

Bit	Field	Type	Reset	Description
15-0	PRBS_TX_CHK_BYTE_COUNTER	R	0h	Holds number of total bytes that received by the PRBS TX checker. Value in this register is locked when write is done to register PRBS_TX_CHK_CTRL bit[7]or bit[8]. When PRBS Count Mode set to zero, count stops on 0xFFFF (see register 0x0016)

### 8.1.39 G\_100BT\_REG0 Register (Offset = 43h) [Reset = 07A0h]

G\_100BT\_REG0 is shown in [Table 8-41](#).

Return to the [Summary Table](#).

**Table 8-41. G\_100BT\_REG0 Register Field Descriptions**

Bit	Field	Type	Reset	Description
15-12	RESERVED	R	0h	Reserved
11	RESERVED	R/W	0h	Reserved
10-7	RESERVED	R/W	0h	Reserved
6	RESERVED	R/W	0h	Reserved
5	RESERVED	R/W	0h	Reserved
4	RESERVED	R/W	0h	Reserved
3	RESERVED	R/W	0h	Reserved
2	RESERVED	R/W	0h	Reserved
1	ODD_NIBBLE_DETECT	R/W	0h	0h = Odd nibble detect disable 1h = Odd nibble detect enable
0	FAST_RX_DV	R/W	0h	Enable Fast RX_DV for low latency in 100Mbps mode. 0h = Fast rx dv disable 1h = Fast rx dv enable

**8.1.40 SERDES\_SYNC\_STS Register (Offset = 4Fh) [Reset = 0000h]**

SERDES\_SYNC\_STS is shown in [Table 8-42](#).

Return to the [Summary Table](#).

**Table 8-42. SERDES\_SYNC\_STS Register Field Descriptions**

Bit	Field	Type	Reset	Description
15-12	RESERVED	R/W	0h	Reserved
11	RESERVED	R/W	0h	Reserved
10	RESERVED	R	0h	Reserved
9	RESERVED	R	0h	Reserved
8	SYNC_STATUS	R	0h	Synchronization Status 0h = No Sync 1h = Sync Established
7-4	RESERVED	R	0h	Reserved
3-0	RESERVED	R	0h	Reserved

**8.1.41 G\_1000BT\_1588\_CTRL Register (Offset = 50h) [Reset = 0453h]**

G\_1000BT\_1588\_CTRL is shown in [Table 8-43](#).

Return to the [Summary Table](#).

**Table 8-43. G\_1000BT\_1588\_CTRL Register Field Descriptions**

Bit	Field	Type	Reset	Description
15-13	RESERVED	R	0h	Reserved
12-10	RESERVED	R/W	0h	Reserved
9-7	RX_PHASE_SEL	R/W	0h	sel 1588 RX phase delay Each increment of this bit delays the SFD assertion by 8ns.
6-4	TX_PHASE_SEL	R/W	5h	sel 1588 TX phase delay Each increment of this bit delays the SFD assertion by 8ns.
3	RESERVED	R/W	0h	Reserved
2	RESERVED	R/W	0h	Reserved
1	RESERVED	R/W	0h	Reserved
0	RESERVED	R/W	0h	Reserved

### 8.1.42 G\_1000BT\_VTM\_CFG Register (Offset = 53h) [Reset = 2055h]

G\_1000BT\_VTM\_CFG is shown in [Table 8-44](#).

Return to the [Summary Table](#).

**Table 8-44. G\_1000BT\_VTM\_CFG Register Field Descriptions**

Bit	Field	Type	Reset	Description
15	RESERVED	R/W	0h	Reserved
14-10	RESERVED	R/W	0h	Reserved
9-4	RESERVED	R/W	0h	Reserved
3-0	VTM_IDLE_CHECK_CNT_THR	R/W	5h	Threshold for consecutive amount of Idle symbols for Viterbi Idle detector to assert Idle Mode (amount is this field +1) Default value 0x5 is for IPG >= 12. Set this field to 0x4 or 0x3: for IPG < 12. Please verify new register settings through system level tests if this field is changed.

### 8.1.43 G\_1000BT\_PMA\_STATUS Register (Offset = 55h) [Reset = 0000h]

G\_1000BT\_PMA\_STATUS is shown in [Table 8-45](#).

Return to the [Summary Table](#).

**Table 8-45. G\_1000BT\_PMA\_STATUS Register Field Descriptions**

Bit	Field	Type	Reset	Description
15-8	RESERVED	R	0h	Reserved
7-4	PMA_LEADER_FIFO_CTRL	R	0h	1000-Mb SFD Variation in Leader Mode
3-0	PMA_FOLLOWER_FIFO_CTRL	R	0h	1000-Mb SFD Variation in Follower Mode

### 8.1.44 STRAP\_STS Register (Offset = 6Eh) [Reset = 0000h]

STRAP\_STS is shown in [Table 8-46](#).

Return to the [Summary Table](#).

**Table 8-46. STRAP\_STS Register Field Descriptions**

Bit	Field	Type	Reset	Description
15-14	RESERVED	R	0h	Reserved
13	STRAP_LINK_LOSS_PAS_S_THRU	R	0h	Link Loss Pass Through Enable Strap 0h = Enable 1h = Disable
12	STRAP_MIRROR_EN	R	0h	Mirror Mode Enable Strap. Refer to strap configuration section as this strap also decides MAC interface in Bridge Mode applications. 0h = Disable 1h = Enable
11-9	STRAP_OPMODE	R	0h	OPMODE Strap 0h = RGMII To Copper 1h = RGMII to 1000Base-X 2h = RGMII to 100Base-FX 3h = RGMII-SGMII Bridge 4h = 1000Base-T to 1000Base-X 5h = 100Base-T to 100Base-FX 6h = SGMII to Copper 7h = JTAG for Boundary Scan
8-4	STRAP_PHY_ADD	R	0h	PHY Address Strap
3-2	STRAP_ANEGSEL	R	0h	Auto Negotiation Mode Select Strap. Refer to Strap Configuration Section

**Table 8-46. STRAP\_STS Register Field Descriptions (continued)**

Bit	Field	Type	Reset	Description
1	STRAP_ANEG_EN	R	0h	Auto Negotiation Enable Strap 0h = Enable 1h = Disable
0	RESERVED	R	0h	Reserved

**8.1.45 DBG\_PRBS\_BYTE\_CNT Register (Offset = 71h) [Reset = 0000h]**

DBG\_PRBS\_BYTE\_CNT is shown in [Table 8-47](#).

Return to the [Summary Table](#).

**Table 8-47. DBG\_PRBS\_BYTE\_CNT Register Field Descriptions**

Bit	Field	Type	Reset	Description
15-0	PRBS_BYTE_CNT	R	0h	Holds number of total bytes that received by the PRBS checker. Value in this register is locked when write is done to register DBG_PRBS_ERR_CNT bit[0] or bit[1]. When PRBS Count Mode set to zero, count stops on 0xFFFF (see register 0x0016)

**8.1.46 DBG\_PRBS\_ERR\_CNT Register (Offset = 72h) [Reset = 0000h]**

DBG\_PRBS\_ERR\_CNT is shown in [Table 8-48](#).

Return to the [Summary Table](#).

**Table 8-48. DBG\_PRBS\_ERR\_CNT Register Field Descriptions**

Bit	Field	Type	Reset	Description
15-11	RESERVED	R	0h	Reserved
10	PRBS_PKT_CNT_OVF	R	0h	If set, packet counter reached overflow Overflow is cleared when PRBS counters are cleared - done by setting bit 1 of this register
9	PRBS_BYTE_CNT_OVF	R	0h	If set, bytes counter reached overflow Overflow is cleared when PRBS counters are cleared - done by setting bit 1 of this register
8	RESERVED	R	0h	Reserved
7-0	PRBS_ERR_CNT	R	0h	Holds number of errored bytes that received by the PRBS checker. Value in this register is locked when write is done to bit[0] or bit[1] (see below). When PRBS Count Mode set to zero, count stops on 0xFF (see register 0x0016) Notes: Writing bit 0 generates a lock signal for the PRBS counters. Writing bit 1 generates a lock and clear signal for the PRBS counters

**8.1.47 DBG\_PKT\_LEN\_PRBS Register (Offset = 7Bh) [Reset = 05DCh]**

DBG\_PKT\_LEN\_PRBS is shown in [Table 8-49](#).

Return to the [Summary Table](#).

**Table 8-49. DBG\_PKT\_LEN\_PRBS Register Field Descriptions**

Bit	Field	Type	Reset	Description
15-0	PKT_LEN_PRBS	R/W	5DCh	Length (in bytes) of PRBS packets, this effect the PRBS packets and not

### 8.1.48 DBG\_IPG\_LEN Register (Offset = 7Ch) [Reset = 007Dh]

DBG\_IPG\_LEN is shown in [Table 8-50](#).

Return to the [Summary Table](#).

**Table 8-50. DBG\_IPG\_LEN Register Field Descriptions**

Bit	Field	Type	Reset	Description
15-8	RESERVED	R	0h	Reserved
7-0	IPG_LEN	R/W	7Dh	Inter-packet gap (in 4 bytes) between PRBS packets. IPG increments in steps of 4 bytes

### 8.1.49 ANA\_RGMII\_DLL\_CTRL Register (Offset = 86h) [Reset = 0077h]

ANA\_RGMII\_DLL\_CTRL is shown in [Table 8-51](#).

Return to the [Summary Table](#).

**Table 8-51. ANA\_RGMII\_DLL\_CTRL Register Field Descriptions**

Bit	Field	Type	Reset	Description
15-10	RESERVED	R	0h	Reserved
9	DLL_EN_FORCE_VAL	R/W	0h	If dll_en_force_en is set, this is the value of DLL_EN
8	DLL_EN_FORCE_CTRL	R/W	0h	Force DLL_EN value
7-4	DLL_TX_DELAY_CTRL_SL	R/W	7h	Steps of 250ps, affects the CLK_90 output. - same behavior as bit [3:0]
3-0	DLL_RX_DELAY_CTRL_SL	R/W	7h	Steps of 250ps, affects the CLK_90 output. b[3], b[2], b[1], b[0] if the RGMII shift mode is enabled.  Delay is measured from data to clock. Please note actual delay is also affected by the shift mode in register 32h. 0h = 0.25ns 1h = 0.5ns 2h = 0.75ns 3h = 1.0ns 4h = 1.25ns 5h = 1.5ns 6h = 1.75ns 7h = 2.0ns - default 8h = 2.25ns 9h = 2.5ns Ah = 2.75ns Bh = 3.0ns Ch = 3.25ns Dh = 3.5ns Eh = 3.75ns Fh = 0ns

### 8.1.50 ANA\_LD\_TXG\_FINE\_GAINSEL\_AB Register (Offset = A0h) [Reset = 0808h]

ANA\_LD\_TXG\_FINE\_GAINSEL\_AB is shown in [Table 8-52](#).

Return to the [Summary Table](#).

**Table 8-52. ANA\_LD\_TXG\_FINE\_GAINSEL\_AB Register Field Descriptions**

Bit	Field	Type	Reset	Description
15	UNFORCE_TEST_MODE_TM4	R/W	0h	The TXG gainsel Coarse over writing while the chip is in test mode 4 When unforce_test_mode_tm4 is set to '1' the over writing is disable
14	UNFORCE_TEST_MODE_TM1	R/W	0h	The TXG fine gainsel over writing by a plus 1 value while the chip is in test mode 1 When unforce_test_mode_tm1 is set to '1' the over writing is disable

**Table 8-52. ANA\_LD\_TXG\_FINE\_GAINSEL\_AB Register Field Descriptions (continued)**

Bit	Field	Type	Reset	Description
13	RESERVED	R	0h	Reserved
12-8	TXG_GAINSEL_FINE_B	R/W	8h	Gain control channel B. For details, see bits [4:0]
7-5	RESERVED	R	0h	Reserved
4-0	TXG_GAINSEL_FINE_A	R/W	8h	Gain control channel A. Default value is set by trim. Bit 4 is not used in the design - this bit is retained for future extension of range. 0h = -16% change in gain 1h = -14% change in gain 8h = No change in gain 9h = +2% change in gain Fh = +14% change in gain

**8.1.51 ANA\_LD\_TXG\_FINE\_GAINSEL\_CD Register (Offset = A1h) [Reset = 0808h]**

ANA\_LD\_TXG\_FINE\_GAINSEL\_CD is shown in [Table 8-53](#).

Return to the [Summary Table](#).

**Table 8-53. ANA\_LD\_TXG\_FINE\_GAINSEL\_CD Register Field Descriptions**

Bit	Field	Type	Reset	Description
15-13	RESERVED	R	0h	Reserved
12-8	TXG_GAINSEL_FINE_D	R/W	8h	Gain control channel D. For details, see bits [4:0] of ANA_LD_TXG_FINE_GAINSEL_AB
7-5	RESERVED	R	0h	Reserved
4-0	TXG_GAINSEL_FINE_C	R/W	8h	Gain control channel C. For details, see bits [4:0] of ANA_LD_TXG_FINE_GAINSEL_AB

**8.1.52 ANA\_LD\_FILTER\_TUNE\_AB Register (Offset = A2h) [Reset = 1010h]**

ANA\_LD\_FILTER\_TUNE\_AB is shown in [Table 8-54](#).

Return to the [Summary Table](#).

**Table 8-54. ANA\_LD\_FILTER\_TUNE\_AB Register Field Descriptions**

Bit	Field	Type	Reset	Description
15-14	RESERVED	R	0h	Reserved
13	LD_FILTER_TUNE_B_FO RCE_CTRL	R/W	0h	Force register value of ld_filter_tune_b
12-8	LD_FILTER_TUNE_B	R/W	10h	LD interpolation LPF affect of channel B when ld_filter_tune_b_force_ctrl is set
7-6	RESERVED	R	0h	Reserved
5	LD_FILTER_TUNE_A_FO RCE_CTRL	R/W	0h	Force register value of ld_filter_tune_a
4-0	LD_FILTER_TUNE_A	R/W	10h	LD interpolation LPF affect of channel A when ld_filter_tune_a_force_ctrl is sel

**8.1.53 ANA\_LD\_FILTER\_TUNE\_CD Register (Offset = A3h) [Reset = 1010h]**

ANA\_LD\_FILTER\_TUNE\_CD is shown in [Table 8-55](#).

Return to the [Summary Table](#).

**Table 8-55. ANA\_LD\_FILTER\_TUNE\_CD Register Field Descriptions**

Bit	Field	Type	Reset	Description
15-14	RESERVED	R	0h	Reserved
13	LD_FILTER_TUNE_D_FORCE_CTRL	R/W	0h	Force register value of ld_filter_tune_d
12-8	LD_FILTER_TUNE_D	R/W	10h	LD interpolation LPF affect of channel D when ld_filter_tune_d_force_ctrl is set
7-6	RESERVED	R	0h	Reserved
5	LD_FILTER_TUNE_C_FORCE_CTRL	R/W	0h	Force register value of ld_filter_tune_c
4-0	LD_FILTER_TUNE_C	R/W	10h	LD interpolation LPF affect of channel C when ld_filter_tune_c_force_ctrl is set

### 8.1.54 ANA\_PLL\_PROG\_2 Register (Offset = C5h) [Reset = 0003h]

ANA\_PLL\_PROG\_2 is shown in [Table 8-56](#).

Return to the [Summary Table](#).

**Table 8-56. ANA\_PLL\_PROG\_2 Register Field Descriptions**

Bit	Field	Type	Reset	Description
15-14	RESERVED	R/W	0h	Reserved
13-12	PLL_PROG_2	R/W	0h	VDDIO Override value. If C5[13:12] is high, VDDIO selection will be overridden based on these bits. Enables VDDIO detection circuit override. 0h = VDDIO Self-Detection Override Disable 1h = 2.5V 3h = VDDIO Self-Detection Override Enable based on C5[11:10] selection.
11-10	RESERVED	R	0h	
9-0	RESERVED	R/W	0h	Reserved

### 8.1.55 ANA\_PLL\_PROG\_PI Register (Offset = C6h) [Reset = 0000h]

ANA\_PLL\_PROG\_PI is shown in [Table 8-57](#).

Return to the [Summary Table](#).

**Table 8-57. ANA\_PLL\_PROG\_PI Register Field Descriptions**

Bit	Field	Type	Reset	Description
15-0	RESERVED	R/W	0h	Reserved

### 8.1.56 ANA\_SGMII\_CTRL\_2 Register (Offset = D4h) [Reset = 0F00h]

ANA\_SGMII\_CTRL\_2 is shown in [Table 8-58](#).

Return to the [Summary Table](#).

**Table 8-58. ANA\_SGMII\_CTRL\_2 Register Field Descriptions**

Bit	Field	Type	Reset	Description
15	RGMII_DIG_LOOPBACK_EN	R/W	0h	Loops back TX data to RX before the IO. Keeps Fiber MDI link up in loopback mode regardless of the cable connection. 0h = Loopback mode disabled 1h = Loopback mode enabled
14	RESERVED	R/W	0h	Reserved

**Table 8-58. ANA\_SGMII\_CTRL\_2 Register Field Descriptions (continued)**

Bit	Field	Type	Reset	Description
13-8	RESERVED	R/W	0h	Reserved
7	RESERVED	R/W	0h	Reserved
6	RESERVED	R	0h	Reserved
5-3	RESERVED	R/W	0h	Reserved
2-0	RESERVED	R/W	0h	Reserved

**8.1.57 SGMII\_TESTMODE Register (Offset = D6h) [Reset = 0000h]**

SGMII\_TESTMODE is shown in [Table 8-59](#).

Return to the [Summary Table](#).

**Table 8-59. SGMII\_TESTMODE Register Field Descriptions**

Bit	Field	Type	Reset	Description
15	RESERVED	R/W	0h	Reserved
14-13	SGMII_VOLTAGE_SWING	R/W	0h	Voltage Swing Pk-Pk Typ (V) 0h = 1.100 (default) 1h = 1.280 2h = 0.920 3h = Do not use
12-0	RESERVED	R/W	0h	Reserved

**8.1.58 ANA\_LD\_DATA\_CTRL Register (Offset = DDh) [Reset = 0200h]**

ANA\_LD\_DATA\_CTRL is shown in [Table 8-60](#).

Return to the [Summary Table](#).

**Table 8-60. ANA\_LD\_DATA\_CTRL Register Field Descriptions**

Bit	Field	Type	Reset	Description
15	RESERVED	R/W	0h	Reserved
14	RESERVED	R/W	0h	Reserved
13	RESERVED	R/W	0h	Reserved
12	RESERVED	R/W	0h	Reserved
11-10	RESERVED	R	0h	Reserved
9-4	RESERVED	R/W	0h	Reserved
3	LD_TX_DATA_D_FORCE_CTRL	R/W	0h	Force control of LD TX D data 0h = Transmitter for pair D enable 1h = Transmitter for pair D disable
2	LD_TX_DATA_C_FORCE_CTRL	R/W	0h	Force control of LD TX C data 0h = Transmitter for pair C enable 1h = Transmitter for pair C disable
1	LD_TX_DATA_B_FORCE_CTRL	R/W	0h	Force control of LD TX B data 0h = Transmitter for pair B enable 1h = Transmitter for pair B disable
0	LD_TX_DATA_A_FORCE_CTRL	R/W	0h	Force control of LD TX A data 0h = Transmitter for pair A enable 1h = Transmitter for pair A disable

**8.1.59 DSP\_CFG3 Register (Offset = E4h) [Reset = 0000h]**

DSP\_CFG3 is shown in [Table 8-61](#).

Return to the [Summary Table](#).

**Table 8-61. DSP\_CFG3 Register Field Descriptions**

Bit	Field	Type	Reset	Description
15	RESERVED	R/W	0h	
14	RESERVED	R/W	0h	
13	RESERVED	R/W	0h	Reserved
12	RESERVED	R/W	0h	Reserved
11	RESERVED	R/W	0h	Reserved
10	RESERVED	R/W	0h	Reserved
9-8	RESERVED	R/W	0h	Reserved
7	RESERVED	R/W	0h	
6-0	RESERVED	R/W	0h	Reserved

### 8.1.60 DSP\_HYBRID\_CFG2 Register (Offset = E9h) [Reset = 9F22h]

DSP\_HYBRID\_CFG2 is shown in [Table 8-62](#).

Return to the [Summary Table](#).

**Table 8-62. DSP\_HYBRID\_CFG2 Register Field Descriptions**

Bit	Field	Type	Reset	Description
15	RESERVED	R/W	0h	Reserved
14	RESERVED	R/W	0h	Reserved
13	RESERVED	R/W	0h	
12-8	RESERVED	R/W	0h	Reserved
7-5	RESERVED	R/W	0h	Reserved
4-0	RESERVED	R/W	0h	Reserved

### 8.1.61 DSP\_CFG5 Register (Offset = EFh) [Reset = 1840h]

DSP\_CFG5 is shown in [Table 8-63](#).

Return to the [Summary Table](#).

**Table 8-63. DSP\_CFG5 Register Field Descriptions**

Bit	Field	Type	Reset	Description
15-14	RESERVED	R	0h	Reserved
13	RESERVED	R/W	0h	Reserved
12	RESERVED	R/W	0h	
11	RESERVED	R/W	0h	
10-0	RESERVED	R/W	0h	Reserved

### 8.1.62 LOOPCR Register (Offset = FEh) [Reset = E720h]

LOOPCR is shown in [Table 8-64](#).

Return to the [Summary Table](#).

**Table 8-64. LOOPCR Register Field Descriptions**

Bit	Field	Type	Reset	Description
15-13	FB_AEQ_CNT	R/W	7h	AEQ max number of fallbacks

**Table 8-64. LOOPCR Register Field Descriptions (continued)**

Bit	Field	Type	Reset	Description
12-8	AEQ_MAX_STEP	R/W	7h	the max step in aeq table
7-5	AEQ_STEP_SIZE	R/W	1h	increment step for aeq table
4-1	RESERVED	R	0h	
0	AEQ_BEG	R/W	0h	starting index for aeq table 0h = normal operation 1h = near-end loopback

**8.1.63 DSP\_MASTER\_TC\_SEL0 Register (Offset = 102h) [Reset = 6333h]**

DSP\_MASTER\_TC\_SEL0 is shown in [Table 8-65](#).

Return to the [Summary Table](#).

**Table 8-65. DSP\_MASTER\_TC\_SEL0 Register Field Descriptions**

Bit	Field	Type	Reset	Description
15	RESERVED	R	0h	Reserved
14-12	RESERVED	R/W	0h	Reserved
11	RESERVED	R	0h	Reserved
10-8	RESERVED	R/W	0h	Reserved
7	RESERVED	R	0h	Reserved
6-4	RESERVED	R/W	0h	Reserved
3	RESERVED	R	0h	Reserved
2-0	RESERVED	R/W	0h	Reserved

**8.1.64 DSP\_MASTER\_TC\_SEL1 Register (Offset = 103h) [Reset = 4454h]**

DSP\_MASTER\_TC\_SEL1 is shown in [Table 8-66](#).

Return to the [Summary Table](#).

**Table 8-66. DSP\_MASTER\_TC\_SEL1 Register Field Descriptions**

Bit	Field	Type	Reset	Description
15	RESERVED	R	0h	Reserved
14-12	RESERVED	R/W	0h	Reserved
11	RESERVED	R	0h	Reserved
10-8	RESERVED	R/W	0h	Reserved
7	RESERVED	R	0h	Reserved
6-4	RESERVED	R/W	0h	Reserved
3	RESERVED	R	0h	Reserved
2-0	RESERVED	R/W	0h	Reserved

**8.1.65 DSP\_MASTER\_TC\_SEL2 Register (Offset = 104h) [Reset = 2447h]**

DSP\_MASTER\_TC\_SEL2 is shown in [Table 8-67](#).

Return to the [Summary Table](#).

**Table 8-67. DSP\_MASTER\_TC\_SEL2 Register Field Descriptions**

Bit	Field	Type	Reset	Description
15	RESERVED	R	0h	Reserved

**Table 8-67. DSP\_MASTER\_TC\_SEL2 Register Field Descriptions (continued)**

Bit	Field	Type	Reset	Description
14-12	RESERVED	R/W	0h	Reserved
11	RESERVED	R	0h	Reserved
10-8	RESERVED	R/W	0h	Reserved
7	RESERVED	R	0h	Reserved
6-4	RESERVED	R/W	0h	Reserved
3	RESERVED	R	0h	Reserved
2-0	RESERVED	R/W	0h	Reserved

**8.1.66 DSP\_MASTER\_TLOOP\_KP\_STEP Register (Offset = 10Ch) [Reset = 7776h]**

DSP\_MASTER\_TLOOP\_KP\_STEP is shown in [Table 8-68](#).

Return to the [Summary Table](#).

**Table 8-68. DSP\_MASTER\_TLOOP\_KP\_STEP Register Field Descriptions**

Bit	Field	Type	Reset	Description
15	RESERVED	R	0h	Reserved
14-12	RESERVED	R/W	0h	Reserved
11	RESERVED	R	0h	Reserved
10-8	RESERVED	R/W	0h	Reserved
7	RESERVED	R	0h	Reserved
6-4	RESERVED	R/W	0h	Reserved
3	RESERVED	R	0h	Reserved
2-0	RESERVED	R/W	0h	Reserved

**8.1.67 DSP\_SLAVE\_TC\_SEL0 Register (Offset = 115h) [Reset = B8BBh]**

DSP\_SLAVE\_TC\_SEL0 is shown in [Table 8-69](#).

Return to the [Summary Table](#).

**Table 8-69. DSP\_SLAVE\_TC\_SEL0 Register Field Descriptions**

Bit	Field	Type	Reset	Description
15	RESERVED	R	0h	Reserved
14-12	RESERVED	R/W	0h	Reserved
11	RESERVED	R	0h	Reserved
10-8	RESERVED	R/W	0h	Reserved
7	RESERVED	R	0h	Reserved
6-4	RESERVED	R/W	0h	Reserved
3	RESERVED	R	0h	Reserved
2-0	RESERVED	R/W	0h	Reserved

**8.1.68 DSP\_SLAVE\_TC\_SEL3 Register (Offset = 118h) [Reset = 8BF9h]**

DSP\_SLAVE\_TC\_SEL3 is shown in [Table 8-70](#).

Return to the [Summary Table](#).

**Table 8-70. DSP\_SLAVE\_TC\_SEL3 Register Field Descriptions**

Bit	Field	Type	Reset	Description
15	RESERVED	R	0h	Reserved
14-12	RESERVED	R/W	0h	Reserved
11	RESERVED	R	0h	Reserved
10-8	RESERVED	R/W	0h	Reserved
7	RESERVED	R	0h	Reserved
6-4	RESERVED	R/W	0h	Reserved
3	RESERVED	R	0h	Reserved
2-0	RESERVED	R/W	0h	Reserved

**8.1.69 DSP\_SLAVE\_TLOOP\_KF\_STEP Register (Offset = 11Dh) [Reset = 6B6Ah]**

DSP\_SLAVE\_TLOOP\_KF\_STEP is shown in [Table 8-71](#).

Return to the [Summary Table](#).

**Table 8-71. DSP\_SLAVE\_TLOOP\_KF\_STEP Register Field Descriptions**

Bit	Field	Type	Reset	Description
15	RESERVED	R/W	0h	Reserved
14	RESERVED	R/W	0h	Reserved
13	RESERVED	R/W	0h	Reserved
12	RESERVED	R/W	0h	Reserved
11-9	RESERVED	R/W	0h	Reserved
8-6	RESERVED	R/W	0h	Reserved
5-3	RESERVED	R/W	0h	Reserved
2-0	RESERVED	R/W	0h	Reserved

**8.1.70 DSP\_SLAVE\_TLOOP\_KP\_STEP Register (Offset = 11Eh) [Reset = 2FF8h]**

DSP\_SLAVE\_TLOOP\_KP\_STEP is shown in [Table 8-72](#).

Return to the [Summary Table](#).

**Table 8-72. DSP\_SLAVE\_TLOOP\_KP\_STEP Register Field Descriptions**

Bit	Field	Type	Reset	Description
15	RESERVED	R	0h	Reserved
14-12	RESERVED	R/W	0h	Reserved
11-9	RESERVED	R/W	0h	Reserved
8-6	RESERVED	R/W	0h	Reserved
5-3	RESERVED	R/W	0h	Reserved
2-0	RESERVED	R/W	0h	Reserved

**8.1.71 RXF\_CFG Register (Offset = 134h) [Reset = 1000h]**

RXF\_CFG is shown in [Table 8-73](#).

Return to the [Summary Table](#).

**Table 8-73. RXF\_CFG Register Field Descriptions**

Bit	Field	Type	Reset	Description
15-14	RESERVED	R/W	0h	Reserved

**Table 8-73. RXF\_CFG Register Field Descriptions (continued)**

Bit	Field	Type	Reset	Description
13	RESERVED	R/W	0h	Reserved
12	RESERVED	R/W	0h	Reserved
11	WOL_OUT_CLEAN	RH/WoP	0h	If WOL out is in level mode in bit 8, writing to this bit clears WOL out.
10-9	WOL_OUT_STRETCH	R/W	0h	If WOL out is in pulse mode in bit 8, this is the pulse length: 0h = 8 clock cycles 1h = 16 clock cycles 2h = 32 clock cycles 3h = 64 clock cycles
8	WOL_OUT_MODE	R/W	0h	Mode of the wake up that goes to GPIO pin: 0h = Pulse Mode. 1h = Level Mode
7	ENHANCED_MAC_SUPPORT	R/W	0h	Enables enhanced RX features. This bit can be set when using wakeup abilities, CRC check or RX 1588 indication
6	RESERVED	R/W	0h	Reserved
5	RESERVED	R/W	0h	Reserved
4	WAKE_ON_UCAST	R/W	0h	If set, issue an interrupt upon reception of unicast packets
3	RESERVED	R/W	0h	Reserved
2	WAKE_ON_BCAST	R/W	0h	If set, issue an interrupt upon reception of broadcast packets
1	WAKE_ON_PATTERN	R/W	0h	If set, issue an interrupt upon reception of a packet with configured pattern
0	WAKE_ON_MAGIC	R/W	0h	If set, issue an interrupt upon reception of magic packet

### 8.1.72 RXF\_STATUS Register (Offset = 135h) [Reset = 0000h]

RXF\_STATUS is shown in [Table 8-74](#).

Return to the [Summary Table](#).

**Table 8-74. RXF\_STATUS Register Field Descriptions**

Bit	Field	Type	Reset	Description
15-8	RESERVED	R	0h	Reserved
7	SFD_ERR	RC	0h	SFD Error Detected
6	BAD_CRC	RC	0h	Bad CRC Packet Received
5	RESERVED	RC	0h	Reserved
4	UCAST_RCVD	RC	0h	Unicast Packet Received
3	RESERVED	RC	0h	Reserved
2	BCAST_RCVD	RC	0h	Broadcast Packet Received
1	PATTERN_RCVD	RC	0h	Pattern Match Packet Received
0	MAGIC_RCVD	RC	0h	Magic Packet Received

### 8.1.73 RXF\_PMATCH\_DATA1 Register (Offset = 136h) [Reset = 0000h]

RXF\_PMATCH\_DATA1 is shown in [Table 8-75](#).

Return to the [Summary Table](#).

**Table 8-75. RXF\_PMATCH\_DATA1 Register Field Descriptions**

Bit	Field	Type	Reset	Description
15-0	PMATCH_DATA_15_0	R/W	0h	Bits 15:0 of Perfect Match Data - used for DA (destination address) match

### 8.1.74 RXF\_PMATCH\_DATA2 Register (Offset = 137h) [Reset = 0000h]

RXF\_PMATCH\_DATA2 is shown in [Table 8-76](#).

Return to the [Summary Table](#).

**Table 8-76. RXF\_PMATCH\_DATA2 Register Field Descriptions**

Bit	Field	Type	Reset	Description
15-0	PMATCH_DATA_31_16	R/W	0h	Bits 31:16 of Perfect Match Data - used for DA (destination address) match

### 8.1.75 RXF\_PMATCH\_DATA3 Register (Offset = 138h) [Reset = 0000h]

RXF\_PMATCH\_DATA3 is shown in [Table 8-77](#).

Return to the [Summary Table](#).

**Table 8-77. RXF\_PMATCH\_DATA3 Register Field Descriptions**

Bit	Field	Type	Reset	Description
15-0	PMATCH_DATA_47_32	R/W	0h	Bits 47:32 of Perfect Match Data - used for DA (destination address) match

### 8.1.76 RXF\_SCRON\_PASS1 Register (Offset = 139h) [Reset = 0000h]

RXF\_SCRON\_PASS1 is shown in [Table 8-78](#).

Return to the [Summary Table](#).

**Table 8-78. RXF\_SCRON\_PASS1 Register Field Descriptions**

Bit	Field	Type	Reset	Description
15-0	SCRON_PASSWORD_15_0	R/W	0h	Bits 15:0 of secure-on password (related to magic packet)

### 8.1.77 RXF\_SCRON\_PASS2 Register (Offset = 13Ah) [Reset = 0000h]

RXF\_SCRON\_PASS2 is shown in [Table 8-79](#).

Return to the [Summary Table](#).

**Table 8-79. RXF\_SCRON\_PASS2 Register Field Descriptions**

Bit	Field	Type	Reset	Description
15-0	SCRON_PASSWORD_31_16	R/W	0h	Bits 31:16 of secure-on password (related to magic packet)

### 8.1.78 RXF\_SCRON\_PASS3 Register (Offset = 13Bh) [Reset = 0000h]

RXF\_SCRON\_PASS3 is shown in [Table 8-80](#).

Return to the [Summary Table](#).

**Table 8-80. RXF\_SCRON\_PASS3 Register Field Descriptions**

Bit	Field	Type	Reset	Description
15-0	SCRON_PASSWORD_47_32	R/W	0h	Bits 47:32 of secure-on password (related to magic packet)

### 8.1.79 RXF\_PATTERN\_1 Register (Offset = 13Ch) [Reset = 0000h]

RXF\_PATTERN\_1 is shown in [Table 8-81](#).

Return to the [Summary Table](#).

**Table 8-81. RXF\_PATTERN\_1 Register Field Descriptions**

Bit	Field	Type	Reset	Description
15-0	PATTERN_BYTES_0_1	R/W	0h	Bytes 0 (LSbyte) + 1 of the configured pattern. Each byte can be masked separately RXF_PATTERN_BYTE_MASK registers

### 8.1.80 RXF\_PATTERN\_2 Register (Offset = 13Dh) [Reset = 0000h]

RXF\_PATTERN\_2 is shown in [Table 8-82](#).

Return to the [Summary Table](#).

**Table 8-82. RXF\_PATTERN\_2 Register Field Descriptions**

Bit	Field	Type	Reset	Description
15-0	PATTERN_BYTES_2_3	R/W	0h	Bytes 2 + 3 of the configured pattern. Each byte can be masked separately RXF_PATTERN_BYTE_MASK registers

### 8.1.81 RXF\_PATTERN\_3 Register (Offset = 13Eh) [Reset = 0000h]

RXF\_PATTERN\_3 is shown in [Table 8-83](#).

Return to the [Summary Table](#).

**Table 8-83. RXF\_PATTERN\_3 Register Field Descriptions**

Bit	Field	Type	Reset	Description
15-0	PATTERN_BYTES_4_5	R/W	0h	Bytes 4 + 5 of the configured pattern. Each byte can be masked separately RXF_PATTERN_BYTE_MASK registers

### 8.1.82 RXF\_PATTERN\_4 Register (Offset = 13Fh) [Reset = 0000h]

RXF\_PATTERN\_4 is shown in [Table 8-84](#).

Return to the [Summary Table](#).

**Table 8-84. RXF\_PATTERN\_4 Register Field Descriptions**

Bit	Field	Type	Reset	Description
15-0	PATTERN_BYTES_6_7	R/W	0h	Bytes 6 + 7 of the configured pattern. Each byte can be masked separately RXF_PATTERN_BYTE_MASK registers

### 8.1.83 RXF\_PATTERN\_5 Register (Offset = 140h) [Reset = 0000h]

RXF\_PATTERN\_5 is shown in [Table 8-85](#).

Return to the [Summary Table](#).

**Table 8-85. RXF\_PATTERN\_5 Register Field Descriptions**

Bit	Field	Type	Reset	Description
15-0	PATTERN_BYTES_8_9	R/W	0h	Bytes 8 + 9 of the configured pattern. Each byte can be masked separately RXF_PATTERN_BYTE_MASK registers

### 8.1.84 RXF\_PATTERN\_6 Register (Offset = 141h) [Reset = 0000h]

RXF\_PATTERN\_6 is shown in [Table 8-86](#).

Return to the [Summary Table](#).

**Table 8-86. RXF\_PATTERN\_6 Register Field Descriptions**

Bit	Field	Type	Reset	Description
15-0	PATTERN_BYTES_10_11	R/W	0h	Bytes 10 + 11 of the configured pattern. Each byte can be masked separately RXF_PATTERN_BYTE_MASK registers

### 8.1.85 RXF\_PATTERN\_7 Register (Offset = 142h) [Reset = 0000h]

RXF\_PATTERN\_7 is shown in [Table 8-87](#).

Return to the [Summary Table](#).

**Table 8-87. RXF\_PATTERN\_7 Register Field Descriptions**

Bit	Field	Type	Reset	Description
15-0	PATTERN_BYTES_12_13	R/W	0h	Bytes 12 + 13 of the configured pattern. Each byte can be masked separately RXF_PATTERN_BYTE_MASK registers

### 8.1.86 RXF\_PATTERN\_8 Register (Offset = 143h) [Reset = 0000h]

RXF\_PATTERN\_8 is shown in [Table 8-88](#).

Return to the [Summary Table](#).

**Table 8-88. RXF\_PATTERN\_8 Register Field Descriptions**

Bit	Field	Type	Reset	Description
15-0	PATTERN_BYTES_14_15	R/W	0h	Bytes 14 + 15 of the configured pattern. Each byte can be masked separately RXF_PATTERN_BYTE_MASK registers

### 8.1.87 RXF\_PATTERN\_9 Register (Offset = 144h) [Reset = 0000h]

RXF\_PATTERN\_9 is shown in [Table 8-89](#).

Return to the [Summary Table](#).

**Table 8-89. RXF\_PATTERN\_9 Register Field Descriptions**

Bit	Field	Type	Reset	Description
15-0	PATTERN_BYTES_16_17	R/W	0h	Bytes 16 + 17 of the configured pattern. Each byte can be masked separately RXF_PATTERN_BYTE_MASK registers

### 8.1.88 RXF\_PATTERN\_10 Register (Offset = 145h) [Reset = 0000h]

RXF\_PATTERN\_10 is shown in [Table 8-90](#).

Return to the [Summary Table](#).

**Table 8-90. RXF\_PATTERN\_10 Register Field Descriptions**

Bit	Field	Type	Reset	Description
15-0	PATTERN_BYTES_18_19	R/W	0h	Bytes 18 + 19 of the configured pattern. Each byte can be masked separately RXF_PATTERN_BYTE_MASK registers

### 8.1.89 RXF\_PATTERN\_11 Register (Offset = 146h) [Reset = 0000h]

RXF\_PATTERN\_11 is shown in [Table 8-91](#).

Return to the [Summary Table](#).

**Table 8-91. RXF\_PATTERN\_11 Register Field Descriptions**

Bit	Field	Type	Reset	Description
15-0	PATTERN_BYTES_20_21	R/W	0h	Bytes 20 + 21 of the configured pattern. Each byte can be masked separately RXF_PATTERN_BYTE_MASK registers

### 8.1.90 RXF\_PATTERN\_12 Register (Offset = 147h) [Reset = 0000h]

RXF\_PATTERN\_12 is shown in [Table 8-92](#).

Return to the [Summary Table](#).

**Table 8-92. RXF\_PATTERN\_12 Register Field Descriptions**

Bit	Field	Type	Reset	Description
15-0	PATTERN_BYTES_22_23	R/W	0h	Bytes 22 + 23 of the configured pattern. Each byte can be masked separately RXF_PATTERN_BYTE_MASK registers

### 8.1.91 RXF\_PATTERN\_13 Register (Offset = 148h) [Reset = 0000h]

RXF\_PATTERN\_13 is shown in [Table 8-93](#).

Return to the [Summary Table](#).

**Table 8-93. RXF\_PATTERN\_13 Register Field Descriptions**

Bit	Field	Type	Reset	Description
15-0	PATTERN_BYTES_24_25	R/W	0h	Bytes 24 + 25 of the configured pattern. Each byte can be masked separately RXF_PATTERN_BYTE_MASK registers

### 8.1.92 RXF\_PATTERN\_14 Register (Offset = 149h) [Reset = 0000h]

RXF\_PATTERN\_14 is shown in [Table 8-94](#).

Return to the [Summary Table](#).

**Table 8-94. RXF\_PATTERN\_14 Register Field Descriptions**

Bit	Field	Type	Reset	Description
15-0	PATTERN_BYTES_26_27	R/W	0h	Bytes 26 + 27 of the configured pattern. Each byte can be masked separately RXF_PATTERN_BYTE_MASK registers

### 8.1.93 RXF\_PATTERN\_15 Register (Offset = 14Ah) [Reset = 0000h]

RXF\_PATTERN\_15 is shown in [Table 8-95](#).

Return to the [Summary Table](#).

**Table 8-95. RXF\_PATTERN\_15 Register Field Descriptions**

Bit	Field	Type	Reset	Description
15-0	PATTERN_BYTES_28_29	R/W	0h	Bytes 28 + 29 of the configured pattern. Each byte can be masked separately RXF_PATTERN_BYTE_MASK registers

**8.1.94 RXF\_PATTERN\_16 Register (Offset = 14Bh) [Reset = 0000h]**

RXF\_PATTERN\_16 is shown in [Table 8-96](#).

Return to the [Summary Table](#).

**Table 8-96. RXF\_PATTERN\_16 Register Field Descriptions**

Bit	Field	Type	Reset	Description
15-0	PATTERN_BYTES_30_31	R/W	0h	Bytes 30 + 31 of the configured pattern. Each byte can be masked separately RXF_PATTERN_BYTE_MASK registers

**8.1.95 RXF\_PATTERN\_17 Register (Offset = 14Ch) [Reset = 0000h]**

RXF\_PATTERN\_17 is shown in [Table 8-97](#).

Return to the [Summary Table](#).

**Table 8-97. RXF\_PATTERN\_17 Register Field Descriptions**

Bit	Field	Type	Reset	Description
15-0	PATTERN_BYTES_32_33	R/W	0h	Bytes 32 + 33 of the configured pattern. Each byte can be masked separately RXF_PATTERN_BYTE_MASK registers

**8.1.96 RXF\_PATTERN\_18 Register (Offset = 14Dh) [Reset = 0000h]**

RXF\_PATTERN\_18 is shown in [Table 8-98](#).

Return to the [Summary Table](#).

**Table 8-98. RXF\_PATTERN\_18 Register Field Descriptions**

Bit	Field	Type	Reset	Description
15-0	PATTERN_BYTES_34_35	R/W	0h	Bytes 34 + 35 of the configured pattern. Each byte can be masked separately RXF_PATTERN_BYTE_MASK registers

**8.1.97 RXF\_PATTERN\_19 Register (Offset = 14Eh) [Reset = 0000h]**

RXF\_PATTERN\_19 is shown in [Table 8-99](#).

Return to the [Summary Table](#).

**Table 8-99. RXF\_PATTERN\_19 Register Field Descriptions**

Bit	Field	Type	Reset	Description
15-0	PATTERN_BYTES_36_37	R/W	0h	Bytes 36 + 37 of the configured pattern. Each byte can be masked separately RXF_PATTERN_BYTE_MASK registers

### 8.1.98 RXF\_PATTERN\_20 Register (Offset = 14Fh) [Reset = 0000h]

RXF\_PATTERN\_20 is shown in [Table 8-100](#).

Return to the [Summary Table](#).

**Table 8-100. RXF\_PATTERN\_20 Register Field Descriptions**

Bit	Field	Type	Reset	Description
15-0	PATTERN_BYTES_38_39	R/W	0h	Bytes 38 + 39 of the configured pattern. Each byte can be masked separately RXF_PATTERN_BYTE_MASK registers

### 8.1.99 RXF\_PATTERN\_21 Register (Offset = 150h) [Reset = 0000h]

RXF\_PATTERN\_21 is shown in [Table 8-101](#).

Return to the [Summary Table](#).

**Table 8-101. RXF\_PATTERN\_21 Register Field Descriptions**

Bit	Field	Type	Reset	Description
15-0	RESERVED	R/W	0h	Reserved

### 8.1.100 RXF\_PATTERN\_22 Register (Offset = 151h) [Reset = 0000h]

RXF\_PATTERN\_22 is shown in [Table 8-102](#).

Return to the [Summary Table](#).

**Table 8-102. RXF\_PATTERN\_22 Register Field Descriptions**

Bit	Field	Type	Reset	Description
15-0	PATTERN_BYTES_42_43	R/W	0h	Bytes 42 + 43 of the configured pattern. Each byte can be masked separately RXF_PATTERN_BYTE_MASK registers

### 8.1.101 RXF\_PATTERN\_23 Register (Offset = 152h) [Reset = 0000h]

RXF\_PATTERN\_23 is shown in [Table 8-103](#).

Return to the [Summary Table](#).

**Table 8-103. RXF\_PATTERN\_23 Register Field Descriptions**

Bit	Field	Type	Reset	Description
15-0	PATTERN_BYTES_44_45	R/W	0h	Bytes 44 + 45 of the configured pattern. Each byte can be masked separately RXF_PATTERN_BYTE_MASK registers

### 8.1.102 RXF\_PATTERN\_24 Register (Offset = 153h) [Reset = 0000h]

RXF\_PATTERN\_24 is shown in [Table 8-104](#).

Return to the [Summary Table](#).

**Table 8-104. RXF\_PATTERN\_24 Register Field Descriptions**

Bit	Field	Type	Reset	Description
15-0	PATTERN_BYTES_46_47	R/W	0h	Bytes 46 + 47 of the configured pattern. Each byte can be masked separately RXF_PATTERN_BYTE_MASK registers

**8.1.103 RXF\_PATTERN\_25 Register (Offset = 154h) [Reset = 0000h]**

 RXF\_PATTERN\_25 is shown in [Table 8-105](#).

 Return to the [Summary Table](#).

**Table 8-105. RXF\_PATTERN\_25 Register Field Descriptions**

Bit	Field	Type	Reset	Description
15-0	PATTERN_BYTES_48_49	R/W	0h	Bytes 48 + 49 of the configured pattern. Each byte can be masked separately RXF_PATTERN_BYTE_MASK registers

**8.1.104 RXF\_PATTERN\_26 Register (Offset = 155h) [Reset = 0000h]**

 RXF\_PATTERN\_26 is shown in [Table 8-106](#).

 Return to the [Summary Table](#).

**Table 8-106. RXF\_PATTERN\_26 Register Field Descriptions**

Bit	Field	Type	Reset	Description
15-0	PATTERN_BYTES_50_51	R/W	0h	Bytes 50 + 51 of the configured pattern. Each byte can be masked separately RXF_PATTERN_BYTE_MASK registers

**8.1.105 RXF\_PATTERN\_27 Register (Offset = 156h) [Reset = 0000h]**

 RXF\_PATTERN\_27 is shown in [Table 8-107](#).

 Return to the [Summary Table](#).

**Table 8-107. RXF\_PATTERN\_27 Register Field Descriptions**

Bit	Field	Type	Reset	Description
15-0	PATTERN_BYTES_52_53	R/W	0h	Bytes 52 + 53 of the configured pattern. Each byte can be masked separately RXF_PATTERN_BYTE_MASK registers

**8.1.106 RXF\_PATTERN\_28 Register (Offset = 157h) [Reset = 0000h]**

 RXF\_PATTERN\_28 is shown in [Table 8-108](#).

 Return to the [Summary Table](#).

**Table 8-108. RXF\_PATTERN\_28 Register Field Descriptions**

Bit	Field	Type	Reset	Description
15-0	PATTERN_BYTES_54_55	R/W	0h	Bytes 54 + 55 of the configured pattern. Each byte can be masked separately RXF_PATTERN_BYTE_MASK registers

**8.1.107 RXF\_PATTERN\_29 Register (Offset = 158h) [Reset = 0000h]**

 RXF\_PATTERN\_29 is shown in [Table 8-109](#).

 Return to the [Summary Table](#).

**Table 8-109. RXF\_PATTERN\_29 Register Field Descriptions**

Bit	Field	Type	Reset	Description
15-0	PATTERN_BYTES_56_57	R/W	0h	Bytes 56 + 57 of the configured pattern. Each byte can be masked separately RXF_PATTERN_BYTE_MASK registers

**8.1.108 RXF\_PATTERN\_30 Register (Offset = 159h) [Reset = 0000h]**

RXF\_PATTERN\_30 is shown in [Table 8-110](#).

Return to the [Summary Table](#).

**Table 8-110. RXF\_PATTERN\_30 Register Field Descriptions**

Bit	Field	Type	Reset	Description
15-0	PATTERN_BYTES_58_59	R/W	0h	Bytes 58 + 59 of the configured pattern. Each byte can be masked separately RXF_PATTERN_BYTE_MASK registers

**8.1.109 RXF\_PATTERN\_31 Register (Offset = 15Ah) [Reset = 0000h]**

RXF\_PATTERN\_31 is shown in [Table 8-111](#).

Return to the [Summary Table](#).

**Table 8-111. RXF\_PATTERN\_31 Register Field Descriptions**

Bit	Field	Type	Reset	Description
15-0	PATTERN_BYTES_60_61	R/W	0h	Bytes 60 + 61 of the configured pattern. Each byte can be masked separately RXF_PATTERN_BYTE_MASK registers

**8.1.110 RXF\_PATTERN\_32 Register (Offset = 15Bh) [Reset = 0000h]**

RXF\_PATTERN\_32 is shown in [Table 8-112](#).

Return to the [Summary Table](#).

**Table 8-112. RXF\_PATTERN\_32 Register Field Descriptions**

Bit	Field	Type	Reset	Description
15-0	PATTERN_BYTES_62_63	R/W	0h	Bytes 62 + 63 of the configured pattern. Each byte can be masked separately RXF_PATTERN_BYTE_MASK registers

**8.1.111 RXF\_PATTERN\_BYTE\_MASK\_1 Register (Offset = 15Ch) [Reset = 0000h]**

RXF\_PATTERN\_BYTE\_MASK\_1 is shown in [Table 8-113](#).

Return to the [Summary Table](#).

**Table 8-113. RXF\_PATTERN\_BYTE\_MASK\_1 Register Field Descriptions**

Bit	Field	Type	Reset	Description
15-0	PATTERN_BYTES_MASK_0_15	R/W	0h	Masks for bytes 0 to 15 of the pattern. For each byte: '1' means masked

**8.1.112 RXF\_PATTERN\_BYTE\_MASK\_2 Register (Offset = 15Dh) [Reset = 0000h]**

RXF\_PATTERN\_BYTE\_MASK\_2 is shown in [Table 8-114](#).

Return to the [Summary Table](#).

**Table 8-114. RXF\_PATTERN\_BYTE\_MASK\_2 Register Field Descriptions**

Bit	Field	Type	Reset	Description
15-0	PATTERN_BYTES_MASK_16_31	R/W	0h	Masks for bytes 16 to 31 of the pattern. For each byte: '1' means masked

### 8.1.113 RXF\_PATTERN\_BYTE\_MASK\_3 Register (Offset = 15Eh) [Reset = 0000h]

RXF\_PATTERN\_BYTE\_MASK\_3 is shown in [Table 8-115](#).

Return to the [Summary Table](#).

**Table 8-115. RXF\_PATTERN\_BYTE\_MASK\_3 Register Field Descriptions**

Bit	Field	Type	Reset	Description
15-0	PATTERN_BYTES_MASK_32_47	R/W	0h	Masks for bytes 32 to 47 of the pattern. For each byte: '1' means masked

### 8.1.114 RXF\_PATTERN\_BYTE\_MASK\_4 Register (Offset = 15Fh) [Reset = 0000h]

RXF\_PATTERN\_BYTE\_MASK\_4 is shown in [Table 8-116](#).

Return to the [Summary Table](#).

**Table 8-116. RXF\_PATTERN\_BYTE\_MASK\_4 Register Field Descriptions**

Bit	Field	Type	Reset	Description
15-0	PATTERN_BYTES_MASK_48_63	R/W	0h	Masks for bytes 48 to 63 of the pattern. For each byte: '1' means masked

### 8.1.115 10M\_SGMII\_CFG Register (Offset = 16Fh) [Reset = 0115h]

10M\_SGMII\_CFG is shown in [Table 8-117](#).

Return to the [Summary Table](#).

**Table 8-117. 10M\_SGMII\_CFG Register Field Descriptions**

Bit	Field	Type	Reset	Description
15-8	RESERVED	R	0h	Reserved
7	10M_SGMII_RATE_ADAPT_DISABLE	R/W	0h	Rate Adaption Disable 0h = Rate Adaption Enabled 1h = Rate Adaption Disabled
6	RESERVED	R/W	0h	Reserved
5	RESERVED	R/W	0h	Reserved
4	RESERVED	R/W	0h	Reserved
3-0	RESERVED	R/W	0h	Reserved

### 8.1.116 IO\_MUX\_CFG Register (Offset = 170h) [Reset = 0CX0h]

IO\_MUX\_CFG is shown in [Table 8-118](#).

Return to the [Summary Table](#).

**Table 8-118. IO\_MUX\_CFG Register Field Descriptions**

Bit	Field	Type	Reset	Description
15-13	RESERVED	R	0h	Reserved

**Table 8-118. IO\_MUX\_CFG Register Field Descriptions (continued)**

Bit	Field	Type	Reset	Description
12-8	CLK_O_SEL	R/W	Ch	Select clock output source 0h = Channel A receive clock 1h = Channel B receive clock 2h = Channel C receive clock 3h = Channel D receive clock 4h = Channel A receive clock divided by 5 5h = Channel B receive clock divided by 5 6h = Channel C receive clock divided by 5 7h = Channel D receive clock divided by 5 8h = Channel A transmit clock 9h = Channel B transmit clock Ah = Channel C transmit clock Bh = Channel D transmit clock Ch = Reference clock (synchronous to XI input clock)  Note: Reg 0xC6 must be set equal to 0x10 before CLK_O_SEL can be modified
7	RESERVED	R	0h	Reserved
6	CLK_O_DISABLE	R/W	Xh	Clock Out Disable 0h = Clock Out Enable 1h = Clock Out Disable
5	RESERVED	R/W	0h	Reserved
4-1	MAC_IMPEDANCE_CTRL	R/W	8h	Impedance Control for MAC I/Os: Output impedance approximate range from 35-70Ω in 16 steps. Lowest being 1111 and highest being 0000. Range and Step size vary with process. Default is set to 50Ω by trim but the default register value can vary by process. Non default values of MAC I/O impedance can be used based on trace impedance. Mismatch between device and trace impedance can cause voltage overshoot and undershoot.
0	RESERVED	R/W	0h	Reserved

**8.1.117 TDR\_GEN\_CFG1 Register (Offset = 180h) [Reset = 0752h]**

TDR\_GEN\_CFG1 is shown in [Table 8-119](#).

Return to the [Summary Table](#).

**Table 8-119. TDR\_GEN\_CFG1 Register Field Descriptions**

Bit	Field	Type	Reset	Description
15-13	RESERVED	R/W	0h	Reserved
12	TDR_CH_CD_BYPASS	R/W	0h	Bypass channel C and D in TDR tests
11	TDR_CROSS_MODE_DISABLE	R/W	0h	If set, disable cross mode option - never check the cross (Listen only to the same channel you transmit)
10	TDR_NLP_CHECK	R/W	1h	If set, check for NLPs during silence
9-7	TDR_AVG_NUM	R/W	6h	Number Of TDR Cycles to Average: 000b = 1 TDR cycle 001b = 2 TDR cycles 010b = 4 TDR cycles 011b = 8 TDR cycles 100b = 16 TDR cycles 101b = 32 TDR cycles 110b = 64 TDR cycles (default) 111b = Reserved
6-4	TDR_SEG_NUM	R/W	5h	Number of TDR segments to check
3-0	TDR_CYCLE_TIME	R/W	2h	Number of micro-seconds in each TDR cycle

**8.1.118 TDR\_GEN\_CFG2 Register (Offset = 181h) [Reset = C850h]**

TDR\_GEN\_CFG2 is shown in [Table 8-120](#).

Return to the [Summary Table](#).

**Table 8-120. TDR\_GEN\_CFG2 Register Field Descriptions**

Bit	Field	Type	Reset	Description
15-8	TDR_SILENCE_TH	R/W	C8h	Energy detection threshold
7-6	TDR_POST_SILENCE_TIME	R/W	1h	timer for tdr to look for energy after TDR transaction, if energy detected this is fail tdr
5-4	TDR_PRE_SILENCE_TIME	R/W	1h	timer for tdr to look for energy before starting , if energy detected this is fail tdr
3-0	RESERVED	R	0h	Reserved

**8.1.119 TDR\_SEG\_DURATION1 Register (Offset = 182h) [Reset = 5326h]**

TDR\_SEG\_DURATION1 is shown in [Table 8-121](#).

Return to the [Summary Table](#).

**Table 8-121. TDR\_SEG\_DURATION1 Register Field Descriptions**

Bit	Field	Type	Reset	Description
15	RESERVED	R	0h	Reserved
14-10	TDR_SEG_DURATION_SEG3	R/W	14h	Number of 125MHz clock cycles to run for segment 3
9-5	TDR_SEG_DURATION_SEG2	R/W	19h	Number of 125MHz clock cycles to run for segment 2
4-0	TDR_SEG_DURATION_SEG1	R/W	6h	Number of 125MHz clock cycles to run for segment 1

**8.1.120 TDR\_SEG\_DURATION2 Register (Offset = 183h) [Reset = A01Eh]**

TDR\_SEG\_DURATION2 is shown in [Table 8-122](#).

Return to the [Summary Table](#).

**Table 8-122. TDR\_SEG\_DURATION2 Register Field Descriptions**

Bit	Field	Type	Reset	Description
15-8	TDR_SEG_DURATION_SEG5	R/W	A0h	Number of 125MHz clock cycles to run for segment 5
7-6	RESERVED	R	0h	Reserved
5-0	TDR_SEG_DURATION_SEG4	R/W	1Eh	Number of 125MHz clock cycles to run for segment 4

**8.1.121 TDR\_GEN\_CFG3 Register (Offset = 184h) [Reset = E976h]**

TDR\_GEN\_CFG3 is shown in [Table 8-123](#).

Return to the [Summary Table](#).

**Table 8-123. TDR\_GEN\_CFG3 Register Field Descriptions**

Bit	Field	Type	Reset	Description
15-12	TDR_FWD_SHADOW_SEG4	R/W	Eh	Indicates how much time to wait after max level before declaring we found a peak in segment 4
11-8	TDR_FWD_SHADOW_SEG3	R/W	9h	Indicates how much time to wait after max level before declaring we found a peak in segment 3
7	RESERVED	R	0h	Reserved
6-4	TDR_FWD_SHADOW_SEG2	R/W	7h	Indicates how much time to wait after max level before declaring we found a peak in segment 2
3	RESERVED	R	0h	Reserved

**Table 8-123. TDR\_GEN\_CFG3 Register Field Descriptions (continued)**

Bit	Field	Type	Reset	Description
2-0	TDR_FWD_SHADOW_SEG1	R/W	6h	Indicates how much time to wait after max level before declaring we found a peak in segment 1

### 8.1.122 TDR\_GEN\_CFG4 Register (Offset = 185h) [Reset = 19CFh]

TDR\_GEN\_CFG4 is shown in [Table 8-124](#).

Return to the [Summary Table](#).

**Table 8-124. TDR\_GEN\_CFG4 Register Field Descriptions**

Bit	Field	Type	Reset	Description
15-14	RESERVED	R	0h	Reserved
13-11	TDR_SDW_AVG_LOC	R/W	3h	how much to look between segments to search average peak
10-9	RESERVED	R	0h	Reserved
8	TDR_TX_TYPE_SEG5	R/W	1h	the tx type (10/100) for this segment
7	TDR_TX_TYPE_SEG4	R/W	1h	the tx type (10/100) for this segment
6	TDR_TX_TYPE_SEG3	R/W	1h	the tx type (10/100) for this segment
5	TDR_TX_TYPE_SEG2	R/W	0h	the tx type (10/100) for this segment
4	TDR_TX_TYPE_SEG1	R/W	0h	the tx type (10/100) for this segment
3-0	TDR_FWD_SHADOW_SEG5	R/W	Fh	Indicates how much time to wait after max level before declaring we found a peak in segment 5

### 8.1.123 TDR\_THRESH\_CFG1 Register (Offset = 186h) [Reset = 31D7h]

TDR\_THRESH\_CFG1 is shown in [Table 8-125](#).

Return to the [Summary Table](#).

**Table 8-125. TDR\_THRESH\_CFG1 Register Field Descriptions**

Bit	Field	Type	Reset	Description
15-14	RESERVED	R	0h	Reserved
13-10	TDR_P_LOC_THRESH_SEG3	R/W	Ch	When the input is above this value in segment #3, the sample is considered as a peak
9-5	TDR_P_LOC_THRESH_SEG2	R/W	Eh	When the input is above this value in segment #2, the sample is considered as a peak
4-0	TDR_P_LOC_THRESH_SEG1	R/W	17h	When the input is above this value in segment #1, the sample is considered as a peak

### 8.1.124 TDR\_THRESH\_CFG2 Register (Offset = 187h) [Reset = 0D9Bh]

TDR\_THRESH\_CFG2 is shown in [Table 8-126](#).

Return to the [Summary Table](#).

**Table 8-126. TDR\_THRESH\_CFG2 Register Field Descriptions**

Bit	Field	Type	Reset	Description
15-13	RESERVED	R	0h	Reserved
12-8	TDR_SEG1_HIGH_THRESH	R/W	Dh	define special threshold for seg 1 - indicate short reflection, stop other segments search
7-4	TDR_P_LOC_THRESH_SEG5	R/W	9h	When the input is above this value in segment #5, the sample is considered as a peak

**Table 8-126. TDR\_THRESH\_CFG2 Register Field Descriptions (continued)**

Bit	Field	Type	Reset	Description
3-0	TDR_P_LOC_THRESH_S EG4	R/W	Bh	When the input is above this value in segment #4, the sample is considered as a peak

**8.1.125 TDR\_GEN\_CFG5 Register (Offset = 189h) [Reset = 0014h]**

TDR\_GEN\_CFG5 is shown in [Table 8-127](#).

Return to the [Summary Table](#).

**Table 8-127. TDR\_GEN\_CFG5 Register Field Descriptions**

Bit	Field	Type	Reset	Description
15-5	RESERVED	R	0h	Reserved
4-0	TDR_INITIAL_SKIP	R/W	14h	Configure expected self reflection in TDR

**8.1.126 TDR\_PEAKE\_LOC\_A\_0\_1 Register (Offset = 190h) [Reset = 0000h]**

TDR\_PEAKE\_LOC\_A\_0\_1 is shown in [Table 8-128](#).

Return to the [Summary Table](#).

**Table 8-128. TDR\_PEAKE\_LOC\_A\_0\_1 Register Field Descriptions**

Bit	Field	Type	Reset	Description
15-8	TDR_PEAKE_LOC_A_1	R	0h	Found peak location 1 in channel A
7-0	TDR_PEAKE_LOC_A_0	R	0h	Found peak location 0 in channel A

**8.1.127 TDR\_PEAKE\_LOC\_A\_2\_3 Register (Offset = 191h) [Reset = 0000h]**

TDR\_PEAKE\_LOC\_A\_2\_3 is shown in [Table 8-129](#).

Return to the [Summary Table](#).

**Table 8-129. TDR\_PEAKE\_LOC\_A\_2\_3 Register Field Descriptions**

Bit	Field	Type	Reset	Description
15-8	TDR_PEAKE_LOC_A_3	R	0h	Found peak location 3 in channel A
7-0	TDR_PEAKE_LOC_A_2	R	0h	Found peak location 2 in channel A

**8.1.128 TDR\_PEAKE\_LOC\_A\_4\_B\_0 Register (Offset = 192h) [Reset = 0000h]**

TDR\_PEAKE\_LOC\_A\_4\_B\_0 is shown in [Table 8-130](#).

Return to the [Summary Table](#).

**Table 8-130. TDR\_PEAKE\_LOC\_A\_4\_B\_0 Register Field Descriptions**

Bit	Field	Type	Reset	Description
15-8	TDR_PEAKE_LOC_B_0	R	0h	Found peak location 0 in channel B
7-0	TDR_PEAKE_LOC_A_4	R	0h	Found peak location 4 in channel A

**8.1.129 TDR\_PEAKE\_LOC\_B\_1\_2 Register (Offset = 193h) [Reset = 0000h]**

TDR\_PEAKE\_LOC\_B\_1\_2 is shown in [Table 8-131](#).

Return to the [Summary Table](#).

**Table 8-131. TDR\_PEAKS\_LOC\_B\_1\_2 Register Field Descriptions**

Bit	Field	Type	Reset	Description
15-8	TDR_PEAKS_LOC_B_2	R	0h	Found peak location 2 in channel B
7-0	TDR_PEAKS_LOC_B_1	R	0h	Found peak location 1 in channel B

**8.1.130 TDR\_PEAKS\_LOC\_B\_3\_4 Register (Offset = 194h) [Reset = 0000h]**

TDR\_PEAKS\_LOC\_B\_3\_4 is shown in [Table 8-132](#).

Return to the [Summary Table](#).

**Table 8-132. TDR\_PEAKS\_LOC\_B\_3\_4 Register Field Descriptions**

Bit	Field	Type	Reset	Description
15-8	TDR_PEAKS_LOC_B_4	R	0h	Found peak location 4 in channel B
7-0	TDR_PEAKS_LOC_B_3	R	0h	Found peak location 3 in channel B

**8.1.131 TDR\_PEAKS\_LOC\_C\_0\_1 Register (Offset = 195h) [Reset = 0000h]**

TDR\_PEAKS\_LOC\_C\_0\_1 is shown in [Table 8-133](#).

Return to the [Summary Table](#).

**Table 8-133. TDR\_PEAKS\_LOC\_C\_0\_1 Register Field Descriptions**

Bit	Field	Type	Reset	Description
15-8	TDR_PEAKS_LOC_C_1	R	0h	Found peak location 1 in channel C
7-0	TDR_PEAKS_LOC_C_0	R	0h	Found peak location 0 in channel C

**8.1.132 TDR\_PEAKS\_LOC\_C\_2\_3 Register (Offset = 196h) [Reset = 0000h]**

TDR\_PEAKS\_LOC\_C\_2\_3 is shown in [Table 8-134](#).

Return to the [Summary Table](#).

**Table 8-134. TDR\_PEAKS\_LOC\_C\_2\_3 Register Field Descriptions**

Bit	Field	Type	Reset	Description
15-8	TDR_PEAKS_LOC_C_3	R	0h	Found peak location 3 in channel C
7-0	TDR_PEAKS_LOC_C_2	R	0h	Found peak location 2 in channel C

**8.1.133 TDR\_PEAKS\_LOC\_C\_4\_D\_0 Register (Offset = 197h) [Reset = 0000h]**

TDR\_PEAKS\_LOC\_C\_4\_D\_0 is shown in [Table 8-135](#).

Return to the [Summary Table](#).

**Table 8-135. TDR\_PEAKS\_LOC\_C\_4\_D\_0 Register Field Descriptions**

Bit	Field	Type	Reset	Description
15-8	TDR_PEAKS_LOC_D_0	R	0h	Found peak location 0 in channel D
7-0	TDR_PEAKS_LOC_C_4	R	0h	Found peak location 4 in channel C

**8.1.134 TDR\_PEAKS\_LOC\_D\_1\_2 Register (Offset = 198h) [Reset = 0000h]**

TDR\_PEAKS\_LOC\_D\_1\_2 is shown in [Table 8-136](#).

Return to the [Summary Table](#).

**Table 8-136. TDR\_PEAKS\_LOC\_D\_1\_2 Register Field Descriptions**

Bit	Field	Type	Reset	Description
15-8	TDR_PEAKS_LOC_D_2	R	0h	Found peak location 2 in channel D
7-0	TDR_PEAKS_LOC_D_1	R	0h	Found peak location 1 in channel D

**8.1.135 TDR\_PEAKS\_LOC\_D\_3\_4 Register (Offset = 199h) [Reset = 0000h]**

TDR\_PEAKS\_LOC\_D\_3\_4 is shown in [Table 8-137](#).

Return to the [Summary Table](#).

**Table 8-137. TDR\_PEAKS\_LOC\_D\_3\_4 Register Field Descriptions**

Bit	Field	Type	Reset	Description
15-8	TDR_PEAKS_LOC_D_4	R	0h	Found peak location 4 in channel D
7-0	TDR_PEAKS_LOC_D_3	R	0h	Found peak location 3 in channel D

**8.1.136 TDR\_GEN\_STATUS Register (Offset = 1A4h) [Reset = 0000h]**

TDR\_GEN\_STATUS is shown in [Table 8-138](#).

Return to the [Summary Table](#).

**Table 8-138. TDR\_GEN\_STATUS Register Field Descriptions**

Bit	Field	Type	Reset	Description
15-12	RESERVED	R	0h	Reserved
11	TDR_P_LOC_CROSS_M ODE_D	R	0h	Peak found at cross mode in channel D
10	TDR_P_LOC_CROSS_M ODE_C	R	0h	Peak found at cross mode in channel C
9	TDR_P_LOC_CROSS_M ODE_B	R	0h	Peak found at cross mode in channel B
8	TDR_P_LOC_CROSS_M ODE_A	R	0h	Peak found at cross mode in channel A
7	TDR_P_LOC_OVERFLO W_D	R	0h	Total number of peaks in current segment reached max value of 5 in channel D
6	TDR_P_LOC_OVERFLO W_C	R	0h	Total number of peaks in current segment reached max value of 5 in channel C
5	TDR_P_LOC_OVERFLO W_B	R	0h	Total number of peaks in current segment reached max value of 5 in channel B
4	TDR_P_LOC_OVERFLO W_A	R	0h	Total number of peaks in current segment reached max value of 5 in channel A
3	TDR_SEG1_HIGH_CROS S_D	R	0h	Peak crossed high threshold of segment 1 in channel D
2	TDR_SEG1_HIGH_CROS S_C	R	0h	peak crossed high threshold of segment 1 in channel C
1	TDR_SEG1_HIGH_CROS S_B	R	0h	peak crossed high threshold of segment 1 in channel B
0	TDR_SEG1_HIGH_CROS S_A	R	0h	peak crossed high threshold of segment 1 in channel A

**8.1.137 TDR\_PEAKS\_SIGN\_A\_B Register (Offset = 1A5h) [Reset = 0000h]**

TDR\_PEAKS\_SIGN\_A\_B is shown in [Table 8-139](#).

Return to the [Summary Table](#).

**Table 8-139. TDR\_PEAKS\_SIGN\_A\_B Register Field Descriptions**

Bit	Field	Type	Reset	Description
15-10	RESERVED	R	0h	Reserved
9	TDR_PEAKS_SIGN_B_4	R	0h	found peaks sign 4 in channel B
8	TDR_PEAKS_SIGN_B_3	R	0h	found peaks sign 3 in channel B
7	TDR_PEAKS_SIGN_B_2	R	0h	found peaks sign 2 in channel B
6	TDR_PEAKS_SIGN_B_1	R	0h	found peaks sign 1 in channel B
5	TDR_PEAKS_SIGN_B_0	R	0h	found peaks sign 0 in channel B
4	TDR_PEAKS_SIGN_A_4	R	0h	found peaks sign 4 in channel A
3	TDR_PEAKS_SIGN_A_3	R	0h	found peaks sign 3 in channel A
2	TDR_PEAKS_SIGN_A_2	R	0h	found peaks sign 2 in channel A
1	TDR_PEAKS_SIGN_A_1	R	0h	found peaks sign 1 in channel A
0	TDR_PEAKS_SIGN_A_0	R	0h	found peaks sign 0 in channel A

### 8.1.138 TDR\_PEAKS\_SIGN\_C\_D Register (Offset = 1A6h) [Reset = 0000h]

TDR\_PEAKS\_SIGN\_C\_D is shown in [Table 8-140](#).

Return to the [Summary Table](#).

**Table 8-140. TDR\_PEAKS\_SIGN\_C\_D Register Field Descriptions**

Bit	Field	Type	Reset	Description
15-10	RESERVED	R	0h	Reserved
9	TDR_PEAKS_SIGN_D_4	R	0h	found peaks sign 4 in channel D
8	TDR_PEAKS_SIGN_D_3	R	0h	found peaks sign 3 in channel D
7	TDR_PEAKS_SIGN_D_2	R	0h	found peaks sign 2 in channel D
6	TDR_PEAKS_SIGN_D_1	R	0h	found peaks sign 1 in channel D
5	TDR_PEAKS_SIGN_D_0	R	0h	found peaks sign 0 in channel D
4	TDR_PEAKS_SIGN_C_4	R	0h	found peaks sign 4 in channel C
3	TDR_PEAKS_SIGN_C_3	R	0h	found peaks sign 3 in channel C
2	TDR_PEAKS_SIGN_C_2	R	0h	found peaks sign 2 in channel C
1	TDR_PEAKS_SIGN_C_1	R	0h	found peaks sign 1 in channel C
0	TDR_PEAKS_SIGN_C_0	R	0h	found peaks sign 0 in channel C

### 8.1.139 DBG\_PRBS\_PKT\_CNT\_1 Register (Offset = 1A8h) [Reset = 0000h]

DBG\_PRBS\_PKT\_CNT\_1 is shown in [Table 8-141](#).

Return to the [Summary Table](#).

**Table 8-141. DBG\_PRBS\_PKT\_CNT\_1 Register Field Descriptions**

Bit	Field	Type	Reset	Description
15-0	PRBS_PKT_CNT_15_0	R	0h	Holds bits [15:0] of number of total packets that received by the PRBS checker. Value in this register is locked when write is done to register DBG_PRBS_ERR_CNT bit[0] or bit[1]. When PRBS Count Mode set to zero, count stops on 0xFFFFFFFF (see register 0x0016)

**8.1.140 DBG\_PRBS\_PKT\_CNT\_2 Register (Offset = 1A9h) [Reset = 0000h]**

 DBG\_PRBS\_PKT\_CNT\_2 is shown in [Table 8-142](#).

 Return to the [Summary Table](#).

**Table 8-142. DBG\_PRBS\_PKT\_CNT\_2 Register Field Descriptions**

Bit	Field	Type	Reset	Description
15-0	PRBS_PKT_CNT_31_16	R	0h	Holds bits [31:16] of number of total packets that received by the PRBS checker. Value in this register is locked when write is done to register DBG_PRBS_ERR_CNT bit[0] or bit[1]. When PRBS Count Mode set to zero, count stops on 0xFFFFFFFF (see register 0x0016)

**8.1.141 DSP\_MASTER\_STEP\_4 Register (Offset = 1C2h) [Reset = 7E9Eh]**

 DSP\_MASTER\_STEP\_4 is shown in [Table 8-143](#).

 Return to the [Summary Table](#).

**Table 8-143. DSP\_MASTER\_STEP\_4 Register Field Descriptions**

Bit	Field	Type	Reset	Description
15-13	RESERVED	R/W	0h	Reserved
12-9	RESERVED	R/W	0h	Reserved
8-6	RESERVED	R/W	0h	Reserved
5-4	RESERVED	R/W	0h	Reserved
3-2	RESERVED	R/W	0h	Reserved
1-0	RESERVED	R/W	0h	Reserved

**8.1.142 DSP\_SLAVE\_STEP\_4 Register (Offset = 1C3h) [Reset = F3C6h]**

 DSP\_SLAVE\_STEP\_4 is shown in [Table 8-144](#).

 Return to the [Summary Table](#).

**Table 8-144. DSP\_SLAVE\_STEP\_4 Register Field Descriptions**

Bit	Field	Type	Reset	Description
15-12	RESERVED	R/W	0h	Reserved
11-9	RESERVED	R/W	0h	Reserved
8-6	RESERVED	R/W	0h	Reserved
5-4	RESERVED	R/W	0h	Reserved
3-2	RESERVED	R/W	0h	Reserved
1-0	RESERVED	R/W	0h	Reserved

**8.1.143 DSP\_SLAVE\_STEP\_5 Register (Offset = 1C4h) [Reset = 01C2h]**

 DSP\_SLAVE\_STEP\_5 is shown in [Table 8-145](#).

 Return to the [Summary Table](#).

**Table 8-145. DSP\_SLAVE\_STEP\_5 Register Field Descriptions**

Bit	Field	Type	Reset	Description
15-12	RESERVED	R/W	0h	Reserved
11-9	RESERVED	R/W	0h	Reserved
8-6	RESERVED	R/W	0h	Reserved
5-4	RESERVED	R/W	0h	Reserved

**Table 8-145. DSP\_SLAVE\_STEP\_5 Register Field Descriptions (continued)**

Bit	Field	Type	Reset	Description
3-2	RESERVED	R/W	0h	Reserved
1-0	RESERVED	R/W	0h	Reserved

**8.1.144 DSP\_SLAVE\_STEP\_6\_7 Register (Offset = 1C5h) [Reset = 1C70h]**

DSP\_SLAVE\_STEP\_6\_7 is shown in [Table 8-146](#).

Return to the [Summary Table](#).

**Table 8-146. DSP\_SLAVE\_STEP\_6\_7 Register Field Descriptions**

Bit	Field	Type	Reset	Description
15-13	RESERVED	R/W	0h	Reserved
12-10	RESERVED	R/W	0h	Reserved
9-7	RESERVED	R/W	0h	Reserved
6-4	RESERVED	R/W	0h	Reserved
3-2	RESERVED	R/W	0h	Reserved
1-0	RESERVED	R/W	0h	Reserved

**8.1.145 OP\_MODE\_DECODE Register (Offset = 1DFh) [Reset = 0040h]**

OP\_MODE\_DECODE is shown in [Table 8-147](#).

Return to the [Summary Table](#).

**Table 8-147. OP\_MODE\_DECODE Register Field Descriptions**

Bit	Field	Type	Reset	Description
15-9	RESERVED	R	0h	Reserved
8-7	RESERVED	R	0h	Reserved
6	BRIDGE_MODE_RGMII_MAC	R/W	1h	0h = SGMII to RGMII Bridge 1h = RGMII to SGMII Bridge
5	RGMII_MII_SEL	R/W	0h	0h = RGMII 1h = MII
4	RESERVED	R	0h	Reserved
3	RESERVED	R	0h	Reserved
2-0	CFG_OPMODE	R/W	0h	Operation Mode 0h = RGMII to Copper 1h = RGMII to 1000Base-X 2h = RGMII to 100Base-FX 3h = RGMII to SGMII 4h = 1000Base-T to 1000Base-X 5h = 100Base-TX to 100Base-FX 6h = SGMII to Copper 7h = Reserved

**8.1.146 GPIO\_MUX\_CTRL Register (Offset = 1E0h) [Reset = 417Ah]**

GPIO\_MUX\_CTRL is shown in [Table 8-148](#).

Return to the [Summary Table](#).

**Table 8-148. GPIO\_MUX\_CTRL Register Field Descriptions**

Bit	Field	Type	Reset	Description
15-12	RESERVED	R/W	0h	Reserved

**Table 8-148. GPIO\_MUX\_CTRL Register Field Descriptions (continued)**

Bit	Field	Type	Reset	Description
11-8	RESERVED	R/W	0h	Reserved
7-4	JTAG_TDO_GPIO_1_CTRL	R/W	7h	See bits [3:0] for GPIO control options. If either type of SFD is enabled, this pin automatically configures to TX_SFD.
3-0	LED_2_GPIO_0_CTRL	R/W	Ah	Following options are available for GPIO control. If either type of SFD is enabled, this pin automatically configures to RX_SFD. 0h = CLK_OUT 1h = RESERVED 2h = INT 3h = Link status 4h = RESERVED 5h = Transmit SFD 6h = Receive SFD 7h = WOL 8h = Energy detect(1000Base-T and 100Base-TX only) 9h = PRBS errors Ah = LED_2 Bh = LED_GPIO(3) Ch = CRS Dh = COL Eh = constant '0' Fh = constant '1'

**8.1.147 MC\_LINK\_LOSS Register (Offset = 1ECh) [Reset = 1FFDh]**

MC\_LINK\_LOSS is shown in [Table 8-149](#).

Return to the [Summary Table](#).

**Table 8-149. MC\_LINK\_LOSS Register Field Descriptions**

Bit	Field	Type	Reset	Description
15-13	RESERVED	R/W	0h	Reserved
12-9	RESERVED	R/W	0h	Reserved
8	RESERVED	R/W	0h	Reserved
7	RESERVED	R/W	0h	Reserved
6	RESERVED	R/W	0h	Reserved
5	RESERVED	R/W	0h	Reserved
4	RESERVED	R/W	0h	Reserved
3	CFG_LINK_LOSS_EN	R/W	1h	Enables MC link loss feature 0h = Disable link loss feature 1h = Enable link loss feature
2-1	RESERVED	R/W	0h	Reserved
0	RESERVED	R/W	0h	Reserved

**8.1.148 FX\_CTRL Register (Offset = C00h) [Reset = 1140h]**

FX\_CTRL is shown in [Table 8-150](#).

Return to the [Summary Table](#).

Registers after 0xC00 are common for Fiber, SGMII IP blocks for RGMII-to-SGMII, SGMII-to-RGMII, and Media Converter.

**Table 8-150. FX\_CTRL Register Field Descriptions**

Bit	Field	Type	Reset	Description
15	CTRL0_RESET	R/W	0h	Controls reset in Fiber mode. This bit is automatically cleared after reset is completed. 0h = Normal Operation 1h = Reset.
14	CTRL0_LOOPBACK	R/W	0h	100BASE-X, 1000BASE-FX and RGMII-SGMII, SGMII-RGMII MAC loopback. 0h = Disable MAC loopback 1h = Enable MAC Loopback
13	CTRL0_SPEED_SEL_LSB	R/W	0h	Speed selection bits LSB[13] and MSB[6] are used to control the data rate of the ethernet link when in Fiber Ethernet mode. These bits are also affected by straps. 0h = 10Mbps 1h = 100Mbps 2h = 1000Mbps 3h = Reserved
12	CTRL0_ANEG_EN	R/W	1h	Enable 1000BASE-X, R2S, S2R Bridge mode Auto-negotiation. Controlled by strap. 0h = Disable 1h = Enable
11	CTRL0_PWRDN	R/W	0h	Power Down SGMII for R2S, S2R, 1000Base-X, 100Base-FX. Digital is in reset. In 100Base-FX mode, link status is not accurately reflected in PWDN mode. To ensure link status is accurately reflected, please do the following: 0xD3 = 0xCF3 PWDN bit goes high 0xD3 = 0x00 Any other register writes needed. PWDN bit goes low 0h = Normal operation 1h = Power Down
10	CTRL0_ISOLATE	R/W	0h	Isolate MAC interface. Used in 1000BX, 100FX and RGMII-SGMII mode. N/A in SGMII-RGMII mode. 0h = Normal operation 1h = Isolate
9	CTRL0_RESTART_AN	R/W	0h	Writing 1 to this control bit restarts Autoneg in SGMII and 1000B-X mode. This bit is self-cleared by hardware. 0h = Normal operation 1h = Restart 1000BASE-X/SGMII Auto-Negotiation Process
8	CTRL0_DUPLEX_MODE	R/W	1h	Forced Duplex mode. Applicable only in MII-100FX mode. 0h = Half duplex mode 1h = Full duplex mode
7	CTRL0_COL_TEST	R/W	0h	Used to test collision functionality. Settings this bit asserts collision on just asserting tx_en
6	CTRL0_SPEED_SEL_MSB	R/W	1h	Forced Speed for SGMII only when Autoneg is disabled. Controlled by straps. See bit 13 of this register.
5-0	RESERVED	R/W	0h	Reserved

**8.1.149 FX\_STS Register (Offset = C01h) [Reset = 6149h]**

FX\_STS is shown in [Table 8-151](#).

Return to the [Summary Table](#).

**Table 8-151. FX\_STS Register Field Descriptions**

Bit	Field	Type	Reset	Description
15	STTS_100B_T4	R	0h	Return Always 0. Device doesn't support 100BASE-T4 mode
14	STTS_100B_X_FD	R	1h	Return Always 1. Device supports 100BASE-FX Full-Duplex

**Table 8-151. FX\_STS Register Field Descriptions (continued)**

Bit	Field	Type	Reset	Description
13	STTS_100B_X_HD	R	1h	Return Always 1. Device supports 100BASE-FX Half-Duplex
12	STTS_10B_FD	R	0h	Return Always 0. Device doesn't support 10Mbps fiber mode
11	STTS_10B_HD	R	0h	Return Always 0. Device doesn't support 10Mbps fiber mode
10	STTS_100B_T2_FD	R	0h	Return Always 0. Device doesn't support 100BASE-T2 mode
9	STTS_100B_T2_HD	R	0h	Return Always 0. Device doesn't support 100BASE-T2 mode
8	STTS_EXTENDED_STAT US	R	1h	Return Always 1. Extended status information in register15
7	RESERVED	R	0h	Reserved
6	STTS_MF_PREAMBLE_S UPRSN	R	1h	Return Always 1. Phy accepts management frames with preamble suppressed.
5	STTS_ANEG_COMPLET E	R	0h	1: Auto negotiation process complete 0:Auto negotiation process not complete
4	STTS_REMOTE_FAULT	R	0h	1: Remote fault condition detected 0:Remote fault condition not detected
3	STTS_ANEG_ABILITY	R	1h	Return Always 1. Device capable of performing Auto-Negotiation
2	STTS_LINK_STATUS	R	0h	Indicates 100FX/1000X link-up in 100FX/1000X and 100FX/1000X MC Mode. In RGMII-SGMII mode, this bit indicates SGMII link-up and LP link up if Autoneg is enabled else(if autoneg disabled) this bit indicates SGMII link-up. In SGMII-RGMII mode, this bit indicates LP link-up 0h = link down 1h = link-up
1	STTS_JABBER_DET	R	0h	Return 0.
0	STTS_EXTENDED_CAPA BILITY	R	1h	Return Always 1. Device supports Extended register capabilities

**8.1.150 FX\_PHYID1 Register (Offset = C02h) [Reset = 2000h]**

FX\_PHYID1 is shown in [Table 8-152](#).

Return to the [Summary Table](#).

**Table 8-152. FX\_PHYID1 Register Field Descriptions**

Bit	Field	Type	Reset	Description
15-14	RESERVED	R	0h	Reserved
13-0	OUI_6_19_FIBER	R	2000h	Organizationally Unique Identifier Bits 19:6

**8.1.151 FX\_PHYID2 Register (Offset = C03h) [Reset = A0F1h]**

FX\_PHYID2 is shown in [Table 8-153](#).

Return to the [Summary Table](#).

**Table 8-153. FX\_PHYID2 Register Field Descriptions**

Bit	Field	Type	Reset	Description
15-10	OUI_0_5_FIBER	R	28h	Organizationally Unique Identifier Bits 5:0
9-4	MODEL_NUM_FIBER	R	Fh	model number
3-0	REVISION_NUM_FIBER	R	1h	revision number

### 8.1.152 FX\_ANADV Register (Offset = C04h) [Reset = 0020h]

FX\_ANADV is shown in [Table 8-154](#).

Return to the [Summary Table](#).

**Table 8-154. FX\_ANADV Register Field Descriptions**

Bit	Field	Type	Reset	Description
15	BP_NEXT_PAGE	R/W	0h	Set this bit if next page needs to be advertised. 1 = Advertise 0 = Not advertised
14	BP_ACK	R	0h	Always return 0
13-12	BP_REMOTE_FAULT	R/W	0h	00 = LINK_STATUS/UP 01=OFFLINE 10=LINK_FAILURE 11=AUTO_ERROR
11-9	RESERVED	R	0h	Reserved
8	BP_ASYMMETRIC_PAUSE	R/W	0h	1 = Asymmetric Pause 0 = No asymmetric Pause
7	BP_PAUSE	R/W	0h	1 = MAC PAUSE 0 = No MAC PAUSE
6	BP_HALF_DUPLEX	R/W	0h	1 = Advertise 0 = Not advertised
5	BP_FULL_DUPLEX	R/W	1h	1 = Advertise 0 = Not advertised
4-0	BP_RSVD1	R	0h	Reserved. Set to 00000

### 8.1.153 FX\_LPABL Register (Offset = C05h) [Reset = 0000h]

FX\_LPABL is shown in [Table 8-155](#).

Return to the [Summary Table](#).

**Table 8-155. FX\_LPABL Register Field Descriptions**

Bit	Field	Type	Reset	Description
15	LP_ABILITY_NEXT_PAGE	R	0h	0h = LP is not capable of next page 1h = LP is capable of next page
14	LP_ABILITY_ACK	R	0h	0h = LP has not acknowledged that the LP has received link code word 1h = LP acknowledges that the LP has received link code word
13-12	LP_ABILITY_REMOTE_FAULT	R	0h	Received Remote fault from LP. 0h = LINK_STATUS/UP 1h = OFFLINE 2h = LINK_FAILURE 3h = AUTO_ERROR
11-9	RESERVED	R	0h	Reserved
8	LP_ABILITY_ASYMMETRIC_PAUSE	R	0h	0h = LP does not request asymmetric pause 1h = LP requests of asymmetric pause
7	LP_ABILITY_PAUSE	R	0h	0h = LP is not capable of pause operation 1h = LP is capable of pause operation
6	LP_ABILITY_HALF_DUPLEX	R	0h	0h = LP is not 1000BASE-X Half-duplex capable 1h = LP is 1000BASE-X Half-duplex capable
5	LP_ABILITY_FULL_DUPLEX	R	0h	0h = LP is not 1000BASE-X Full-duplex capable 1h = LP is 1000BASE-X Full-duplex capable
4-0	RESERVED	R	0h	Reserved

### 8.1.154 FX\_ANEXP Register (Offset = C06h) [Reset = 0000h]

FX\_ANEXP is shown in [Table 8-156](#).

Return to the [Summary Table](#).

**Table 8-156. FX\_ANEXP Register Field Descriptions**

Bit	Field	Type	Reset	Description
15-4	RESERVED	R	0h	Reserved
3	AN_EXP_LP_NEXT_PAGE_ABLE	R	0h	Bit is set to 1 when device receives base page with NP bit (bit 15) set to 1. The bit is cleared when Autoneg state goes to AN_ENABLE. This bit is expected that NP bit sets to 0 in SGMII mode as SGMII doesn't support next page. 0h = Link partner is not next page able 1h = Link partner is Next page able
2	AN_EXP_LOCAL_NEXT_PAGE_ABLE	R	0h	This bit is set to 1 in fiber 1000BASE-X mode. This bit is set to 0 in SGMII mode. 0h = Local device is not next page able 1h = Local device is next page able
1	AN_EXP_PAGE_RECEIVED	R	0h	Status is latched when new page is received by the device. This bit is cleared when SW reads this register. 0h = No new page has been received 1h = A new page(base page or next page) has been received
0	AN_EXP_LP_AUTO_NEG_ABLE	R	0h	Bit is set to 1 when device receives base page. This bit is cleared when Autoneg state goes to AN_ENABLE. 0h = Link partner is not auto negotiation able 1h = Link partner is auto negotiation able

**8.1.155 FX\_LOCNP Register (Offset = C07h) [Reset = 2001h]**

FX\_LOCNP is shown in [Table 8-157](#).

Return to the [Summary Table](#).

**Table 8-157. FX\_LOCNP Register Field Descriptions**

Bit	Field	Type	Reset	Description
15	NP_TX_NEXT_PAGE	R/W	0h	0: If last page 1: If there is more pages to transmit
14	RESERVED	R	0h	Reserved
13	NP_TX_MESSAGE_PAGE_MODE	R/W	1h	0: Unformatted page 1: Message page
12	NP_TX_ACK_2	R/W	0h	Device has the ability to comply with the message 0h = Cannot comply with message. 1h = Comply with message.
11	NP_TX_TOGGLE	R	0h	0h = Previous value of the transmitted link codeword equalled logic one. 1h = Previous value of the transmitted link codeword equalled logic zero
10-0	NP_TX_MESSAGE_FIELD	R/W	1h	Message code field as defined in IEEE Annex 28C

**8.1.156 FX\_LPNP Register (Offset = C08h) [Reset = 0000h]**

FX\_LPNP is shown in [Table 8-158](#).

Return to the [Summary Table](#).

**Table 8-158. FX\_LPNP Register Field Descriptions**

Bit	Field	Type	Reset	Description
15	LP_NP_NEXT_PAGE	R	0h	LP last page 0h = If last page 1h = If there is more pages to transmit
14	LP_NP_ACK	R	0h	Reserved
13	LP_NP_MESSAGE_PAGE_MODE	R	0h	LP message page mode 0: Unformatted page 1: Message page

**Table 8-158. FX\_LPNP Register Field Descriptions (continued)**

Bit	Field	Type	Reset	Description
12	LP_NP_ACK_2	R	0h	LP has the ability to comply with the message 0: Cannot comply with message. 1: Comply with message.
11	LP_NP_TOGGLE	R	0h	LP Toggle bit 0: Previous value of the transmitted link codeword equalled logic one. 1: Previous value of the transmitted link codeword equalled logic zero
10-0	LP_NP_MESSAGE_FIEL D	R	0h	LP Message code field as defined in IEEE Annex 28C

### 8.1.157 CFG\_FX\_CTRL0 Register (Offset = C10h) [Reset = 0000h]

CFG\_FX\_CTRL0 is shown in [Table 8-159](#).

Return to the [Summary Table](#).

**Table 8-159. CFG\_FX\_CTRL0 Register Field Descriptions**

Bit	Field	Type	Reset	Description
15-10	RESERVED	R	0h	RESERVED
9	CFG_SDIN	R/W	0h	0h = Signal Detect Pin is used 1h = Signal Detect Pin is not used
8-0	RESERVED	R	0h	RESERVED

### 8.1.158 FX\_INT\_EN Register (Offset = C18h) [Reset = 03FFh]

FX\_INT\_EN is shown in [Table 8-160](#).

Return to the [Summary Table](#).

**Table 8-160. FX\_INT\_EN Register Field Descriptions**

Bit	Field	Type	Reset	Description
15-10	RESERVED	R	0h	Reserved
9	FEF_FAULT_EN	R/W	1h	FEF fault received interrupt enable 0h = Disable Interrupt 1h = Enable Interrupt
8	TX_FIFO_FULL_EN	R/W	1h	Fiber and SGMII Tx FIFO full interrupt enable 0h = Disable Interrupt 1h = Enable Interrupt
7	TX_FIFO_EMPTY_EN	R/W	1h	Fiber and SGMII Tx FIFO empty interrupt enable 0h = Disable Interrupt 1h = Enable Interrupt
6	RX_FIFO_FULL_EN	R/W	1h	Fiber and SGMII Rx FIFO full interrupt enable 0h = Disable Interrupt 1h = Enable Interrupt
5	RX_FIFO_EMPTY_EN	R/W	1h	Fiber and SGMII Rx FIFO empty interrupt enable 0h = Disable Interrupt 1h = Enable Interrupt
4	LINK_STS_CHANGE_EN	R/W	1h	Link Status Change Interrupt Enable 0h = Disable Interrupt 1h = Enable Interrupt
3	LP_FAULT_RX_EN	R/W	1h	Link Partner Remote Fault Interrupt Enable 0h = Disable Interrupt 1h = Enable Interrupt
2	PRI_RES_FAIL_EN	R/W	1h	Priority Resolution Fail Interrupt Enable 0h = Disable Interrupt 1h = Enable Interrupt

**Table 8-160. FX\_INT\_EN Register Field Descriptions (continued)**

Bit	Field	Type	Reset	Description
1	LP_NP_RX_EN	R/W	1h	Link Partner Next Page Received Interrupt Enable 0h = Disable Interrupt 1h = Enable Interrupt
0	LP_BP_RX_EN	R/W	1h	Link Partner Base Page Received Interrupt Enable 0h = Disable Interrupt 1h = Enable Interrupt

**8.1.159 FX\_INT\_STS Register (Offset = C19h) [Reset = 0000h]**

FX\_INT\_STS is shown in [Table 8-161](#).

Return to the [Summary Table](#).

**Table 8-161. FX\_INT\_STS Register Field Descriptions**

Bit	Field	Type	Reset	Description
15-10	RESERVED	R	0h	Reserved
9	FEF_FAULT	RC	0h	FEF fault received interrupt 0h = No Interrupt pending 1h = Interrupt pending, cleared on read
8	TX_FIFO_FULL	RC	0h	Fiber Tx FIFO full interrupt 0h = No Interrupt pending 1h = Interrupt pending, cleared on read
7	TX_FIFO_EMPTY	RC	0h	Fiber Tx FIFO empty interrupt 0h = No Interrupt pending 1h = Interrupt pending, cleared on read
6	RX_FIFO_FULL	RC	0h	Fiber Rx FIFO full interrupt 0h = No Interrupt pending 1h = Interrupt pending, cleared on read
5	RX_FIFO_EMPTY	RC	0h	Fiber Rx FIFO empty interrupt 0h = No Interrupt pending 1h = Interrupt pending, cleared on read
4	LINK_STS_CHANGE	RC	0h	Link Status Change Interrupt 0h = No Interrupt pending 1h = Interrupt pending, cleared on read
3	LP_FAULT_RX	RC	0h	Link Partner Remote Fault Interrupt 0h = No Interrupt pending 1h = Interrupt pending, cleared on read
2	PRI_RES_FAIL	RC	0h	Priority Resolution Fail Interrupt 0h = No Interrupt pending 1h = Interrupt pending, cleared on read
1	LP_NP_RX	RC	0h	Link Partner Next Page Received Interrupt 0h = No Interrupt pending 1h = Interrupt pending, cleared on read
0	LP_BP_RX	RC	0h	Link Partner Base Page Received Interrupt 0h = No Interrupt pending 1h = Interrupt pending, cleared on read

**8.1.160 BIST\_CONTROL\_FX Register (Offset = C1Ah) [Reset = 0000h]**

BIST\_CONTROL\_FX is shown in [Table 8-162](#).

Return to the [Summary Table](#).

**Table 8-162. BIST\_CONTROL\_FX Register Field Descriptions**

Bit	Field	Type	Reset	Description
15	RESERVED	R/W	0h	Reserved

**Table 8-162. BIST\_CONTROL\_FX Register Field Descriptions (continued)**

Bit	Field	Type	Reset	Description
14	RESERVED	R/W	0h	Reserved
13	RESERVED	R/W	0h	Reserved
12	RESERVED	R/W	0h	Reserved
11-10	RESERVED	R/W	0h	Reserved
9	RESERVED	R/W	0h	Reserved
8	RESERVED	R/W	0h	Reserved
7	RESERVED	R/W	0h	Reserved
6	RESERVED	R/W	0h	Reserved
5	FIBER_REVERSE_LOOPBACK_EN	R/W	0h	Enables Reverse Loopback for fiber connection 0h = Disables Fiber Reverse Loopback 1h = Enables Fiber Reverse Loopback
4-3	RESERVED	R/W	0h	Reserved
2	RESERVED	R/W	0h	Reserved
1-0	RESERVED	R/W	0h	Reserved

**8.1.161 CFG\_100FX\_CTRL5 Register (Offset = C30h) [Reset = 3056h]**

CFG\_100FX\_CTRL5 is shown in [Table 8-163](#).

Return to the [Summary Table](#).

**Table 8-163. CFG\_100FX\_CTRL5 Register Field Descriptions**

Bit	Field	Type	Reset	Description
15-12	RESERVED	R/W	0h	Reserved
11-4	RESERVED	R/W	0h	Reserved
3	RESERVED	R/W	0h	Reserved
2	CFG_SD_POLARITY	R/W	1h	Signal_detect polarity control bit 0h = SD pin is active high 1h = SD pin is active low
1	RESERVED	R/W	0h	
0	RESERVED	R/W	0h	Reserved

## 9 Application and Implementation

### Note

Information in the following applications sections is not part of the TI component specification, and TI does not warrant its accuracy or completeness. TI's customers are responsible for determining suitability of components for their purposes, as well as validating and testing their design implementation to confirm system functionality.

### 9.1 Application Information

The DP83869HM is a 10/100/1000 Copper and Fiber Ethernet PHY. It supports connections to an Ethernet MAC through SGMII or RGMII. MII is also supported but only for 100M and 10M speeds. For MII to be operate correctly, 1000M advertisement must be disabled. SGMII is not available in Fiber Ethernet mode and Media Converter mode because the SGMII pins are multipurpose pins which carry Fiber Ethernet signals. Connections to the Ethernet media are made through the IEEE 802.3 defined Media Dependent Interface.

When using the device for Ethernet application, it is necessary to meet certain requirements for normal operation of the device. The following typical application and design requirements can be used for selecting appropriate component values for the DP83869.

### 9.2 Typical Applications

#### 9.2.1 Copper Ethernet Typical Application

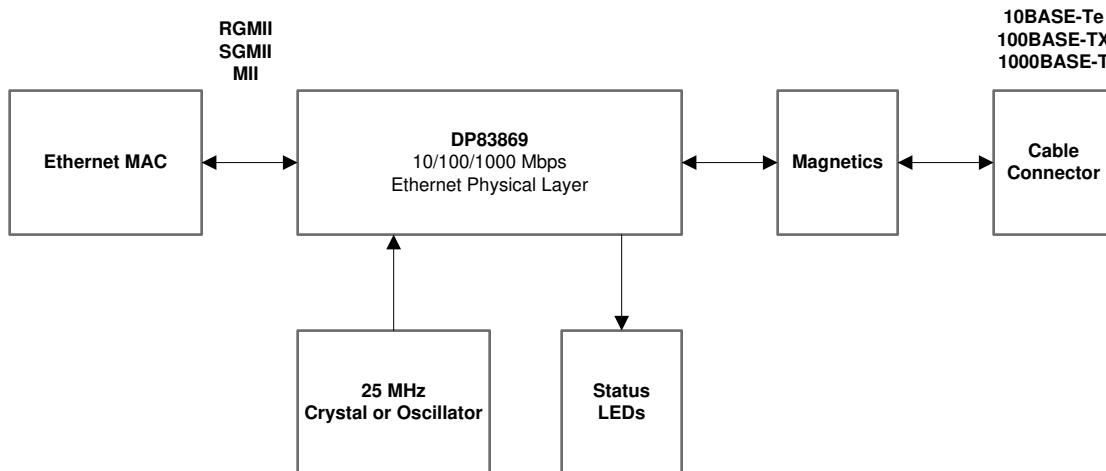


Figure 9-1. Typical Copper Ethernet Application

#### 9.2.1.1 Design Requirements

The design requirements for the DP83869HM are:

- VDDA2P5 = 2.5V
- VDD1P1 = 1.1V
- VDDIO = 3.3V, 2.5V, or 1.8V
- VDDA1P8\_x = 1.8V (optional)
- Clock Input = 25MHz

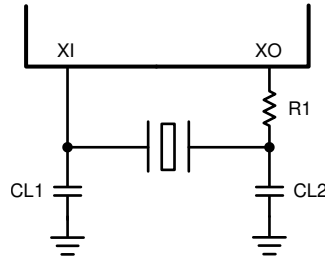
#### 9.2.1.2 Detailed Design Procedure

##### 9.2.1.2.1 Clock Input

Input reference clock requirements are same in all functional modes.

**9.2.1.2.1.1 Crystal Recommendations**

A 25MHz, parallel, from 15pF to 40pF load crystal resonator must be used if a crystal source is desired. [Figure 9-2](#) shows a typical connection for a crystal resonator circuit. The load capacitor values vary with the crystal vendors. Check with the vendor for the recommended loads.



**Figure 9-2. Crystal Oscillator Circuit**

As a starting point for evaluating the oscillator performance, the value of CL1 and CL2 must each be equal to 2x the specified load capacitance from the crystal vendor’s datasheet. For example, if the specified load capacitance of the crystal is 10pF, set CL1 = CL2 = 20pF. CL1, CL2 value can be adjusted based on the parasitic capacitance. Depending on the crystal drive level, R1 is possibly needed.

Specification for 25MHz crystal are listed in [Table 9-1](#).

**Table 9-1. 25MHz Crystal Specifications**

PARAMETER	TEST CONDITION	MIN	TYP	MAX	UNIT
Frequency			25		MHz
Frequency Tolerance	Including Operational Temperature, Aging, and Other Factors			±100	ppm
Load Capacitance		15		40	pF
ESR				50	Ω

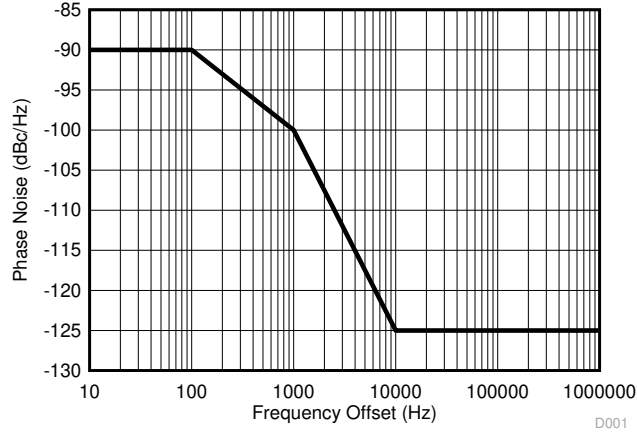
**9.2.1.2.1.2 External Clock Source Recommendation**

If an external clock oscillator is used, then the oscillator must be directly connected to XI. XO must be left floating.

The CMOS 25MHz oscillator specifications are listed in [Table 9-2](#) . Additionally, the maximum oscillator phase noise tolerated by the PHY is shown in [Figure 9-3](#).

**Table 9-2. 25MHz Oscillator Specifications**

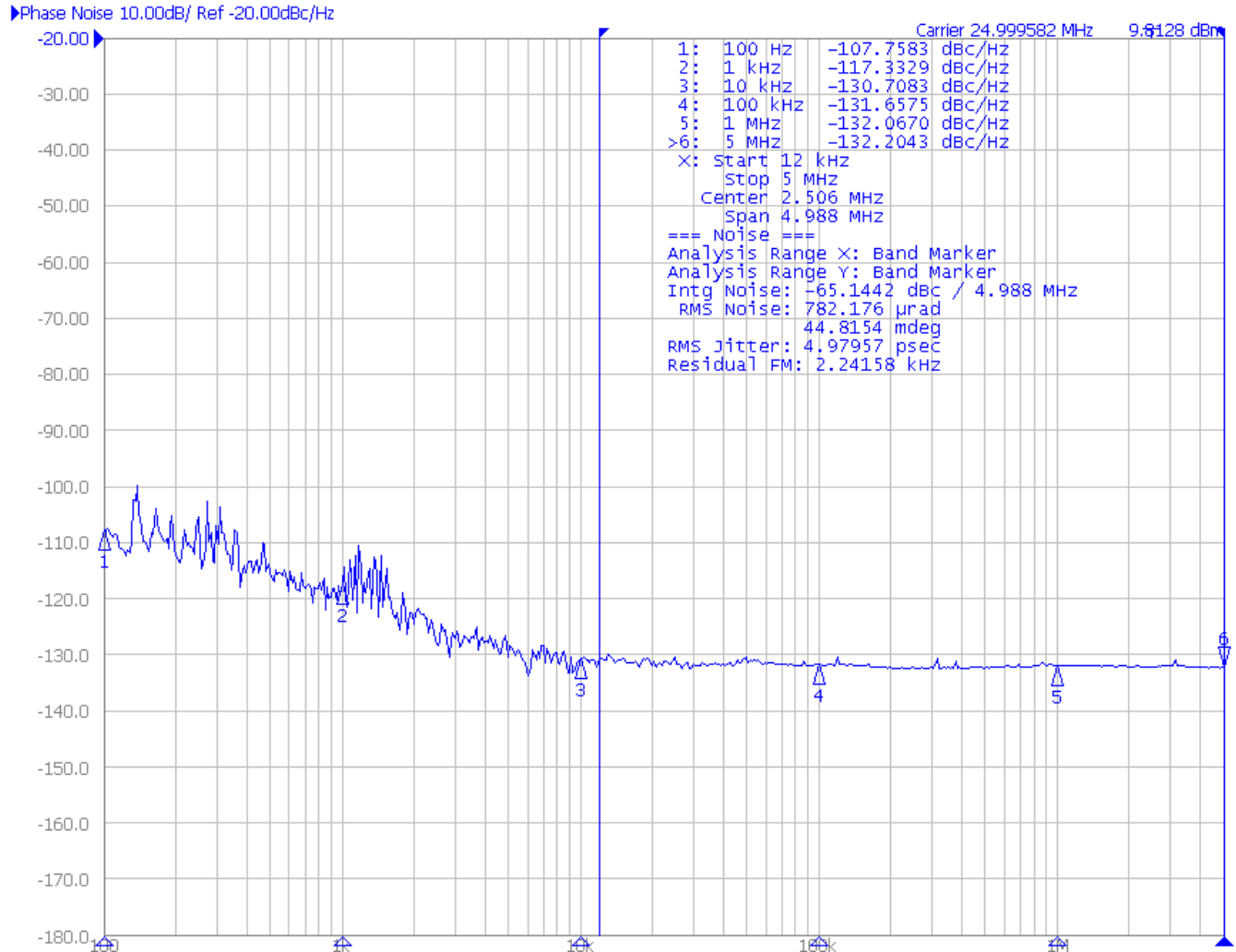
PARAMETER	TEST CONDITION	MIN	TYP	MAX	UNIT
Frequency			25		MHz
Frequency Tolerance	Operational Temperature, 1 Year Aging			±100	ppm
Rise / Fall Time	20% - 80%			5	ns
Symmetry	Duty Cycle	40%		60%	
Jitter RMS	Integration Band: 12kHz to 5MHz			11	ps



**Figure 9-3. 25MHz Oscillator Phase Noise**

**9.2.1.2.1.3 Clock Out (CLK\_OUT) Phase Noise**

Figure 9-4 provides a phase noise plot for the 25MHz clock output from the device.



**Note**

The phase noise on the CLK\_OUT pin before linkup and after link up with no packets being generated are expected to be lower than pictured.

**Figure 9-4. 25MHz Clock Output Phase Noise**

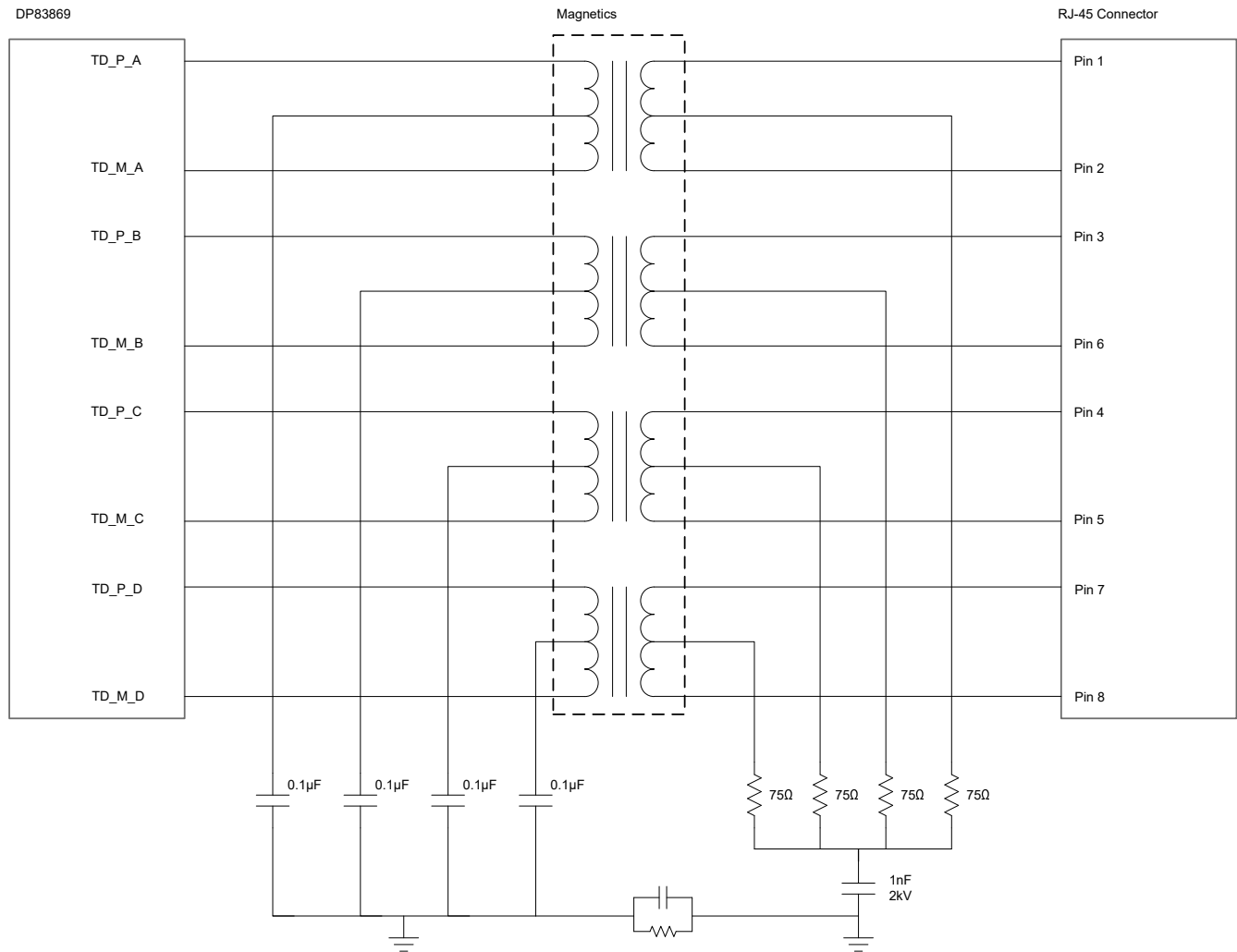
**9.2.1.2.2 Magnetics Requirements**

In applications where copper Ethernet interface is used, magnetic isolation is required. Magnetics can be discrete or integrated in the Ethernet cable connector. The DP83869HM operates with discrete and integrate magnetics if the magnetics meet the electrical specifications listed in [Table 9-3](#).

**Table 9-3. Magnetics Electrical Specification**

PARAMETER	TEST CONDITIONS	TYP	UNIT
Turns Ratio	±2% Tolerance	1:1	-
Insertion Loss	1-100MHz	-1	dB
Return Loss	1-30MHz	-16	dB
	30-60MHz	-12	dB
	60-80MHz	-10	dB
Differential to Common Mode Rejection	1-50MHz	-30	dB
	60-150MHz	-20	dB
Crosstalk	30MHz	-35	dB
	60MHz	-30	dB
Open Circuit Inductance	8mA DC Bias	350	µH
Isolation	HPOT	1500	Vrms

**9.2.1.2.2.1 Magnetics Connection**



- A. Each center tap on the side connected to the PHY, must be isolated from one another and connected to ground via a decoupling capacitor (0.1µF recommended).
- B. Discrete transformer is recommended for better EMC/EMI performance. Pulse Electronics part, HX5008NL is recommended for discrete magnetics.
- C. Only Channels A&B are required for 100Mbps/10Mbps communication
- D. R//C ground isolation circuit is recommended for EMI purposes. Please refer to [DP83869 Schematic Checklist](#) for recommended values

**Figure 9-5. PHY to RJ45 and Magnetics**

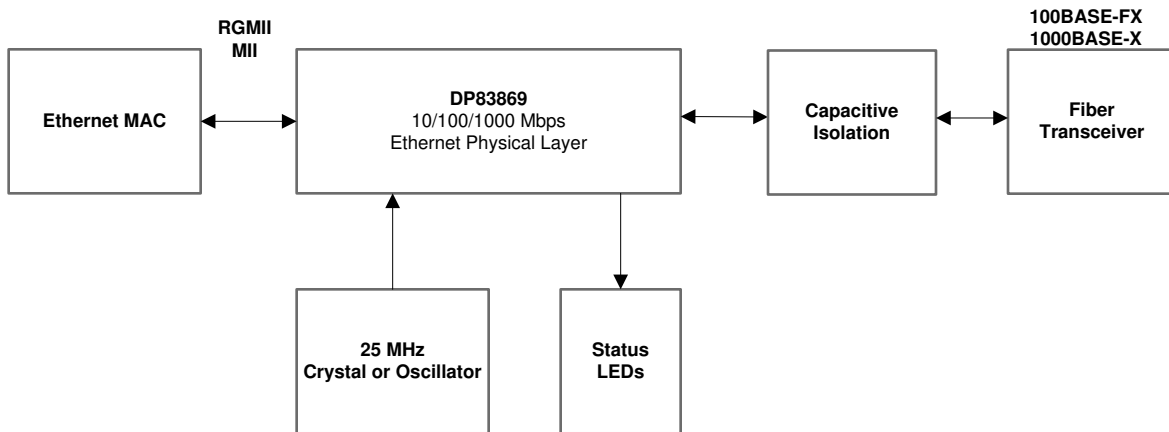
### 9.2.1.3 Application Curves

For expected MDI signal, see [Table 9-4](#).

**Table 9-4. Table of Graphs**

NAME	FIGURE
1000Base-T Signal	<a href="#">Figure 6-9</a>
100Base-TX Signal	<a href="#">Figure 6-10</a>
10Base-Te Link Pulse	<a href="#">Figure 6-11</a>
Auto-Negotiation FLP	<a href="#">Figure 6-12</a>

### 9.2.2 Fiber Ethernet Typical Ethernet



**Figure 9-6. Typical Fiber Ethernet Application**

#### 9.2.2.1 Design Requirements

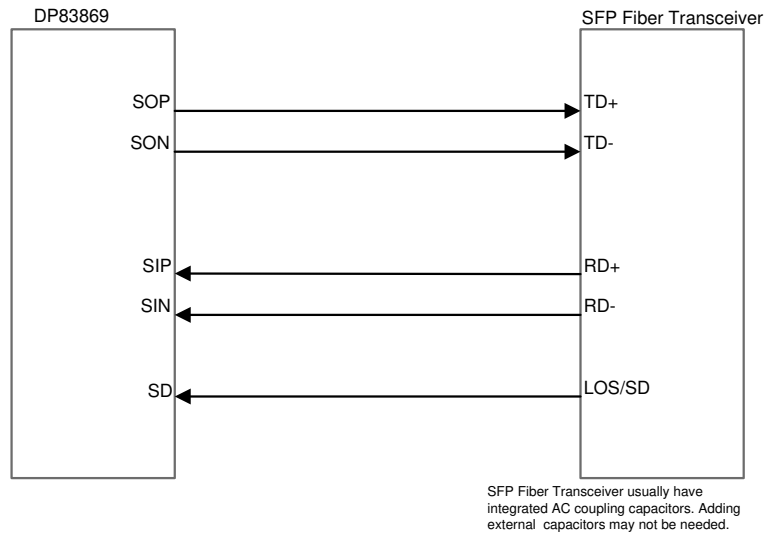
The design requirements for the DP83869HM are:

- VDDA2P5 = 2.5V
- VDD1P1 = 1.1V
- VDDIO = 3.3V, 2.5V, or 1.8V
- VDDA1P8\_x = 1.8V (optional)
- Clock Input = 25MHz

#### 9.2.2.2 Detailed Design Procedure

See [Section 9.2.1.2](#) for more information.

### 9.2.2.2.1 Transceiver Connections



**Figure 9-7. PHY to Fiber Transceiver Connections**

### 9.2.2.3 Application Curves

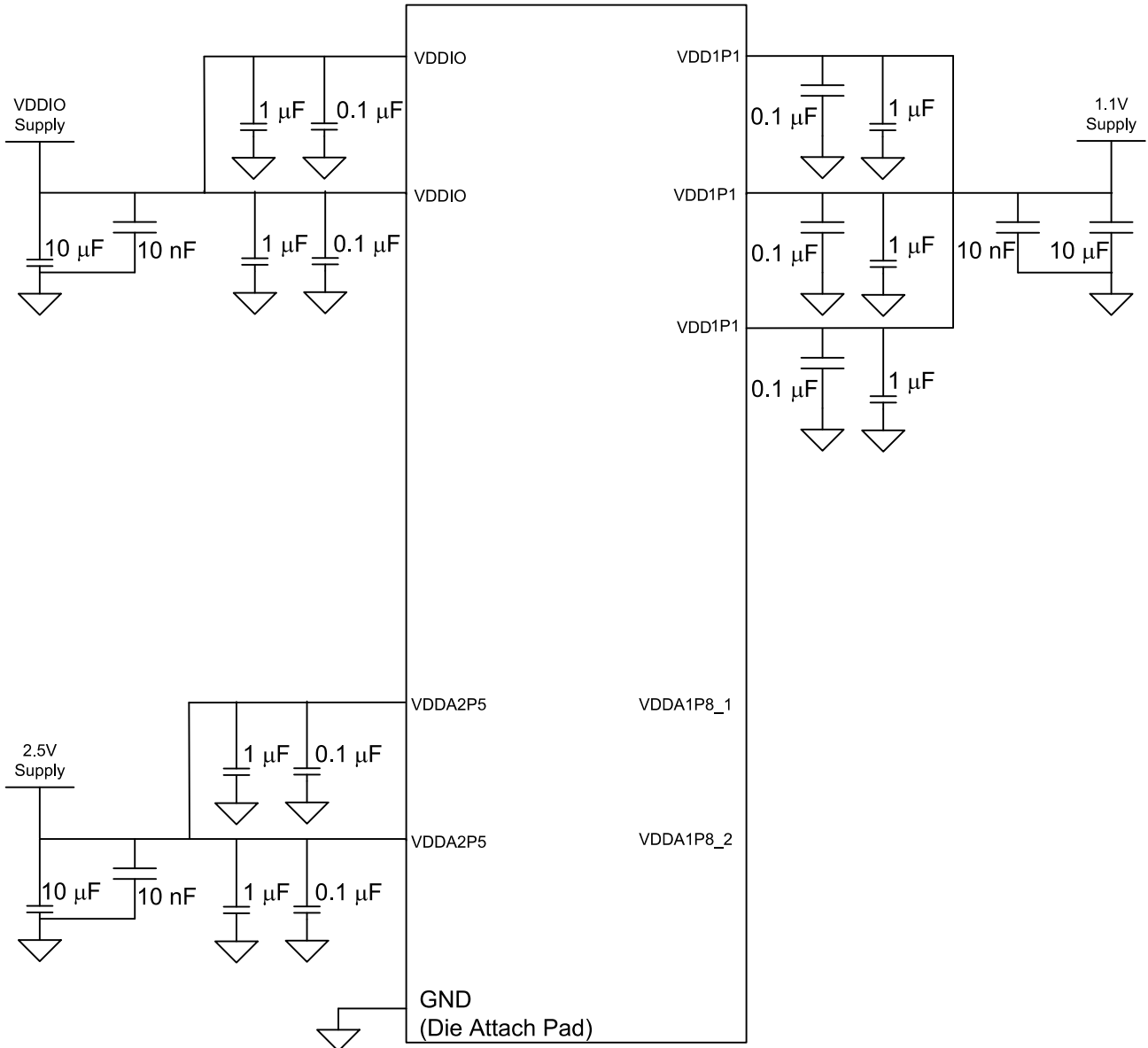
For expected MDI signal, see [Table 9-4](#) in the [Section 9.2.1.3](#) section.

## 9.3 Power Supply Recommendations

The DP83869HM is capable of operating with as few as two or three supplies. The I/O power supply can also be operated independently of the main device power supplies to provide flexibility for the MAC interface. There are two possible supply configuration that can be used: Two-supply and Three-supply. In Two-supply Configuration, no power rail is connected to VDDA1P8\_x pins (pin 13, 48). When unused, pin 13 and 48 must be left floating with no components attached to them. For both power supply configurations, please note that input pins must not be driven until VDDIO and VDDA are stable.

### 9.3.1 Two-Supply Configuration

[Figure 9-8](#) shows the connection diagram for a two-supply configuration.

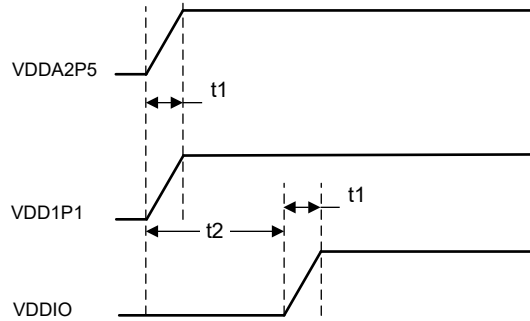


**Figure 9-8. Two-Supply Configuration**

For a two-supply configuration, both VDDA1P8 pins must be left unconnected.

Place 1µF and 0.1µF decoupling capacitors as close as possible to component VDD pins, placing the 0.1µF capacitor closest to the pin.

For two-supply configuration, the recommendation is to power all supplies together. If that is not possible, then the following power sequencing must be used.



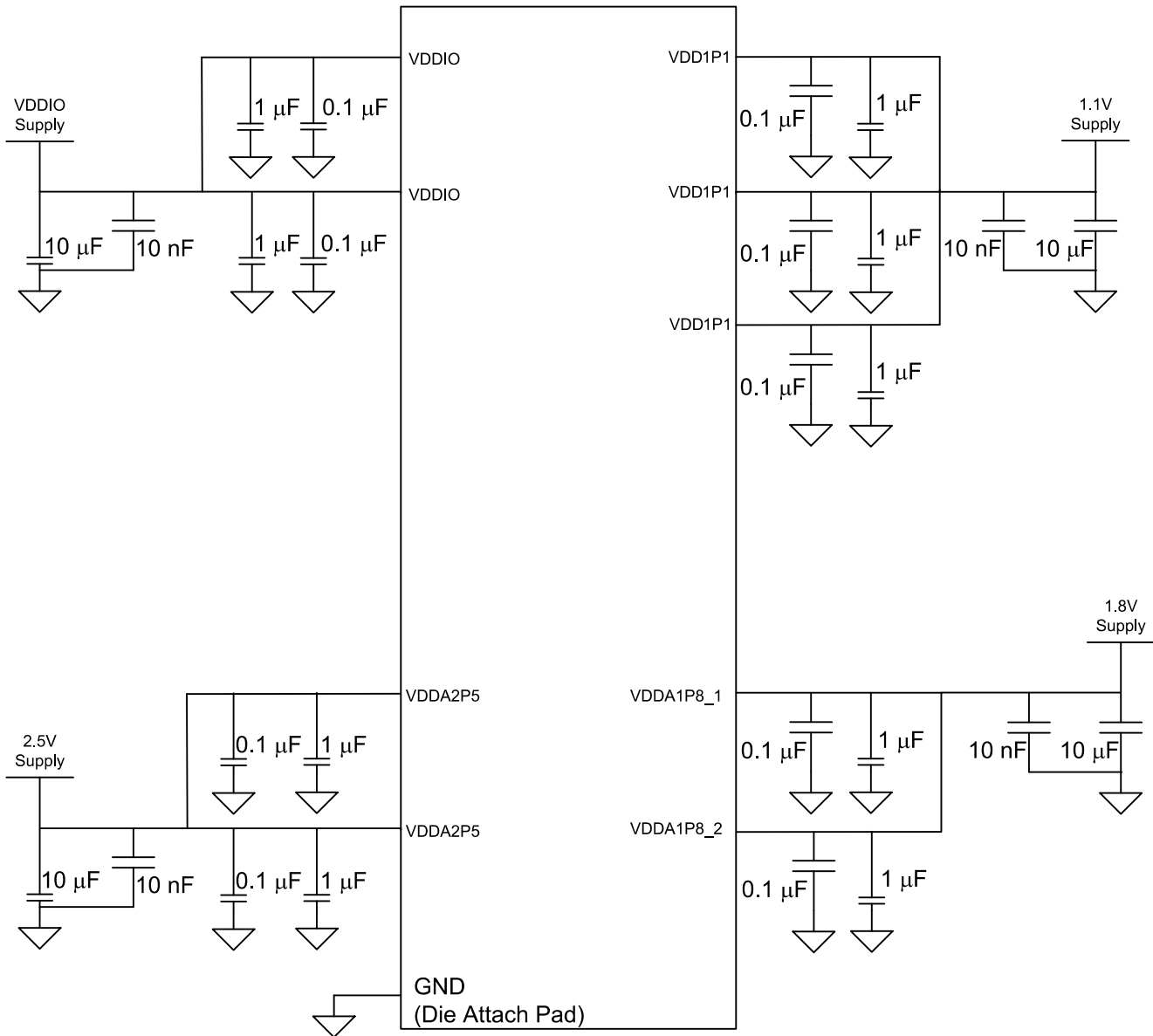
**Figure 9-9. Two-Supply Sequence Diagram**

**Table 9-5. Two-Supply Sequence**

	PARAMETER	TEST CONDITIONS	MIN	NOM	MAX	UNIT
t1	Supply ramp time	Applicable to all supplies	0.5		100	ms
t2	Time instance at which VDDIO starts up	Measured with respect to start of VDDA2P5 and VDD1P1			50	ms

### 9.3.2 Three-Supply Configuration

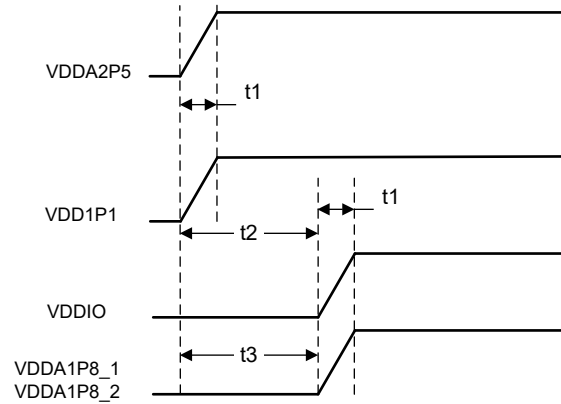
Figure 9-10 shows the connection diagram for the three-supply configuration.



**Figure 9-10. Three-Supply Configuration**

Place 1  $\mu\text{F}$  and 0.1  $\mu\text{F}$  decoupling capacitors as close as possible to component VDD pins, placing the 0.1  $\mu\text{F}$  capacitor closest to the pin.

For three-supply configuration, the recommendation is to power all supplies together. If that is not possible, then the following power sequencing must be used.



**Figure 9-11. Three-Supply Sequence Diagram**

**Table 9-6. Three-Supply Sequence**

PARAMETER	TEST CONDITIONS	MIN	NOM	MAX	UNIT
t1	Supply ramp time	0.5		100	ms
t2	Time instance at which VDDIO starts up	0		50	ms
t3	Time instance at which VDDA1P8_x starts up	0		50	ms

## 9.4 Layout

### 9.4.1 Layout Guidelines

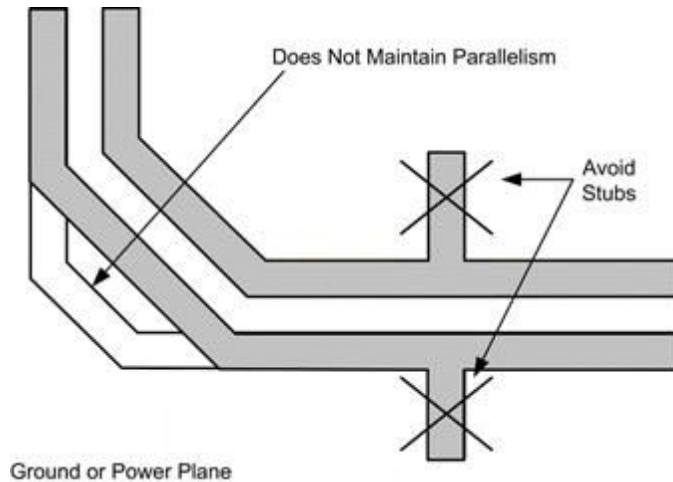
#### 9.4.1.1 Signal Traces

PCB traces are lossy and long traces can degrade the signal quality. Traces must be kept short as possible. Unless mentioned otherwise, all signal traces must be 50Ω, single-ended impedance. Differential traces must be 50Ω, single-ended and 100Ω differential. Take care that the impedance is constant throughout. Impedance discontinuities cause reflections leading to EMI and signal integrity problems. Stubs must be avoided on all signal traces, especially the differential signal pairs. See [Figure 9-12](#).

Within the differential pairs, the trace lengths must run parallel to each other and matched in length. Matched lengths minimize delay differences, avoiding an increase in common-mode noise and increased EMI.

Length matching is also important on MAC interface. All Transmit signal trace lengths must match to each other and all Receive signal trace lengths must match to each other. When using 1G transmission speeds, the tolerance for length matching is 50 mils. When using 100/10M, the tolerance for length matching is 100 mils.

There must be no crossover or via on the signal paths. Vias present impedance discontinuities and must be minimized. Route an entire trace pair on a single layer if possible.



**Figure 9-12. Avoiding Stubs in a Differential Signal Pair**

Signals on different layers must not cross each other without at least one return path plane between them.

Coupling between traces is also an important factor. Unwanted coupling can cause cross talk problems. Differential pairs on the other hand, must have a constant coupling distance between them.

For convenience and efficient layout process, start by routing the critical signals first.

#### 9.4.1.1.1 MAC Interface Layout Guidelines

The Media Independent Interface (SGMII / RGMII) connects the DP83869 to the Media Access Controller (MAC). The MAC can in fact be a discrete device, integrated into a microprocessor, CPU, or FPGA.

##### 9.4.1.1.1.1 SGMII Layout Guidelines

- All SGMII connections must be AC-coupled through an 0.1 $\mu$ F capacitor. Series capacitors must be 0.1 $\mu$ F and the size must be 0402 or smaller.
- SGMII signals are differential signals.
- Traces must be routed with 100 $\Omega$  differential impedance.
- Skew matching within a pair must be less than 5pS, which correlates to 30 mil for standard FR4.
- There is no requirement to match the TX pair to the RX pair.
- SGMII signals must be routed on the same layer.
- Pairs must be referenced to parallel ground plane.
- When operating in 6-wire mode, the RX pair must match the Clock pair to within 5pS, which correlates to 30 mil for standard FR4.

##### 9.4.1.1.1.2 RGMII Layout Guidelines

- RGMII signals are single-ended signals.
- Traces must be routed with impedance of 50 $\Omega$  to ground.
- Skew between TXD[3:0] lines must be less than 11ps, which correlates to 60 mil for standard FR4.
- Skew between RXD[3:0] lines must be less than 11ps, which correlates to 60 mil for standard FR4.
- Keep trace lengths as short as possible, Traces less than 2 inches is recommended with less than 6 inches as maximum length.
- Configurable clock skew for GTX\_CLK and RX\_CLK.
  - Clock skew for RX and TX paths can be optimized independently.
  - Clock skew is adjustable in 0.25ns increments (through register).

##### 9.4.1.1.2 MDI Layout Guidelines

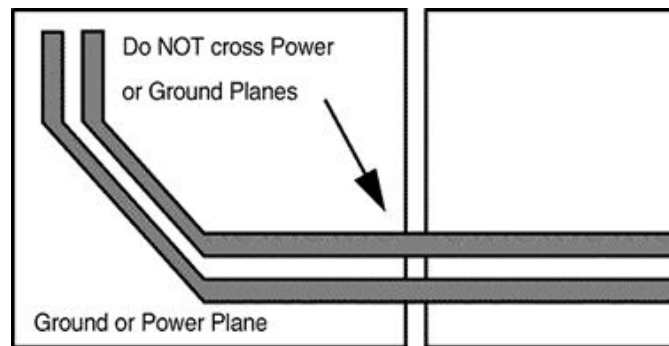
The Media Dependent Interface (MDI) connects the DP83869 to the transformer and the Ethernet network.

- MDI traces must be 50 $\Omega$  to ground and 100 $\Omega$  differential controlled impedance.
- Route MDI traces to transformer on the same layer.

- Use a metal shielded RJ-45 connector, and connect the shield to chassis ground.
- Use magnetics with integrated common-mode choking devices.
- Void supplies and ground beneath magnetics.
- Do not overlap the circuit and chassis ground planes, keep them isolated. Instead, make chassis ground an isolated island and make a void between the chassis and circuit ground. Connecting circuit and chassis planes using a size 1206 resistor and capacitor on either side of the connector is a good practice.

#### 9.4.1.2 Return Path

A general best practice is to have a solid return path beneath all signal traces. This return path can be a continuous ground or DC power plane. Reducing the width of the return path width can potentially affect the impedance of the signal trace. This effect is more prominent when the width of the return path is comparable to the width of the signal trace. Breaks in return path beneath the signal traces needs to be avoided at all cost. A signal crossing a plane split can cause unpredictable return path currents and can likely impact signal quality as well, potentially creating EMI problems. See [Figure 9-13](#).



**Figure 9-13. Differential Signal Pair-Plane Crossing**

#### 9.4.1.3 Transformer Layout

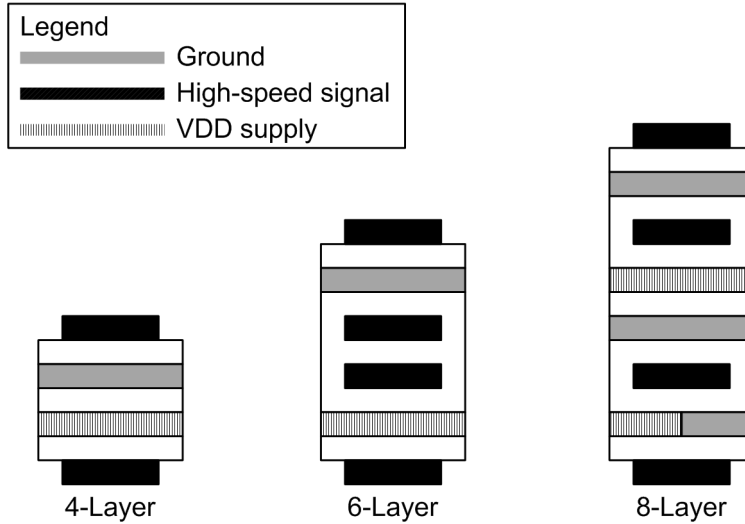
There can be no metal layer running beneath the transformer. Transformers can inject noise in metal beneath them which can affect the performance of the system.

#### 9.4.1.4 Metal Pour

All metal pours which are not signals or power must be tied to ground. There can be no floating metal on the system. There must be no metal between the differential traces.

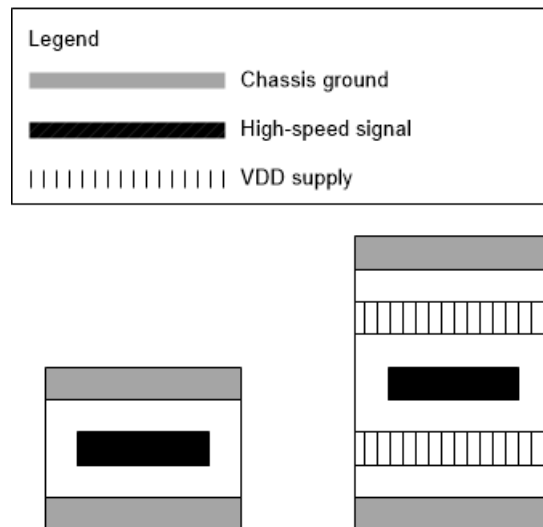
#### 9.4.1.5 PCB Layer Stacking

To meet signal integrity and performance requirements, at minimum a 4-layer PCB must be used. However a 6-layer board is recommended. See [Figure 9-14](#) for the recommended layer stack ups for 4, 6, and 8-layer boards. These are recommendations not requirements, other configurations can be used as per system requirements.



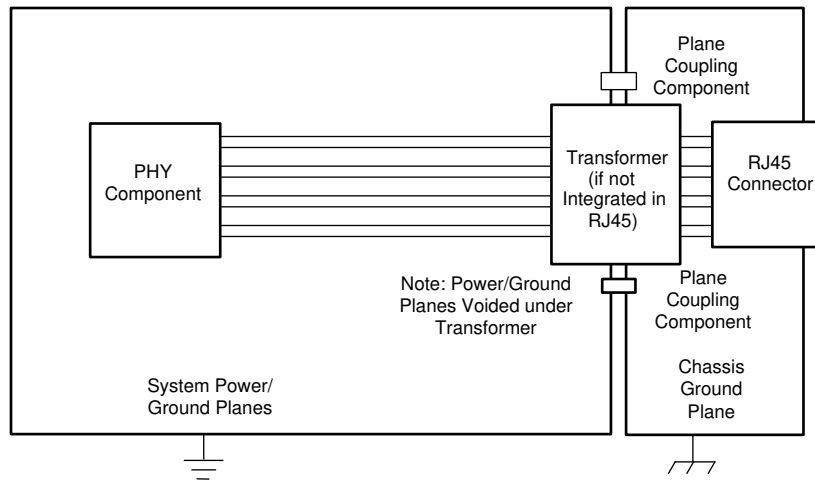
**Figure 9-14. Recommended Layer Stack-Up**

Within a PCB, running traces using different methods, microstrip versus stripline, can be desirable depending on the location of the signal on the PCB. For example, changing layer sacking where an isolated chassis ground plane is used can be desirable. Figure 9-15 shows alternative PCB stacking options.



**Figure 9-15. Alternative Layer Stack-Up**

### 9.4.2 Layout Example



**Figure 9-16. Copper Ethernet Layout Example**

## 10 Device and Documentation Support

### 10.1 Documentation Support

#### 10.1.1 Related Documentation

For related documentation, see the following:

- Texas Instruments, [DP83869 1000Base-X Link Detection application note](#)
- Texas Instruments, [DP838xx Wake-on-LAN application note](#)
- Texas Instruments, [RGMII Interface Timing Budgets application note](#)
- Texas Instruments, [Semiconductor and IC Package Thermal Metrics application note](#)

### 10.2 Receiving Notification of Documentation Updates

To receive notification of documentation updates, navigate to the device product folder on ti.com. In the upper right corner, click on *Alert me* to register and receive a weekly digest of any product information that has changed. For change details, review the revision history included in any revised document.

### 10.3 Support Resources

[TI E2E™ support forums](#) are an engineer's go-to source for fast, verified answers and design help — straight from the experts. Search existing answers or ask your own question to get the quick design help you need.

Linked content is provided "AS IS" by the respective contributors. They do not constitute TI specifications and do not necessarily reflect TI's views; see TI's [Terms of Use](#).

### 10.4 Trademarks

TI E2E™ is a trademark of Texas Instruments.

PROFINET® is a registered trademark of PROFIBUS Nutzerorganisation e.V. (PNO).

All trademarks are the property of their respective owners.

### 10.5 Electrostatic Discharge Caution



This integrated circuit can be damaged by ESD. Texas Instruments recommends that all integrated circuits be handled with appropriate precautions. Failure to observe proper handling and installation procedures can cause damage.

ESD damage can range from subtle performance degradation to complete device failure. Precision integrated circuits may be more susceptible to damage because very small parametric changes could cause the device not to meet its published specifications.

### 10.6 Glossary

[TI Glossary](#) This glossary lists and explains terms, acronyms, and definitions.

## 11 Revision History

NOTE: Page numbers for previous revisions may differ from page numbers in the current version.

<b>Changes from Revision D (June 2025) to Revision E (April 2026)</b>	<b>Page</b>
• Updated RX_CTRL and TX_CTRL equations.....	34
• Updated C5h, D4h[15], 43h[1] to unreserved.....	51
• Updated bit descriptions for 1ECh[3] and C10h[9].....	51
• Added bit description on C00h[11].....	51
• Added reference to unreserved DSP registers in the troubleshooting guide (E4h, EFh, 102h, 103h, 104h, 10Ch, 115h, 118h, 11Dh, 11Eh, 1C2h, 1C3h, 1C4h, 1C5h).....	51

<b>Changes from Revision C (April 2024) to Revision D (June 2025)</b>	<b>Page</b>
• Added that JTAG_TDI/SD Pin is an active-low pin when the pin acts as the signal detect pin. Added note to keep Hi-Z pins float/NC or connect to GND with 10kΩ resistor.....	5

• Changed Absolute Min from -0.3 to -0.5V.....	11
• Changed the terms "master" and "slave" to "leader" and "follower" per the Texas Instruments inclusive terminology standards throughout document.....	26
• Added 1000M to Link Loss Pass Through description .....	38
• 4-Level Strapping Mode 0 Rlo recommendation changed from 2.49k to OPEN.....	44
• Changed # to Number.....	46
• LED1 default for opmode 001 and 010 changed from RX to TX.....	46
• All instances of "master" and "slave" changed to "leader" and "follower" respectively, Added fiber link status for register 18h LED configurations (settings: 5h and 6h), Added Register Name for Register E9h, Clarified Register 86h delay options, Clarified Register 170h[4:1] setting on MAC impedance control, Clarified Register 1DFh[6] setting, Added Link Loss Pass Through Enable Register (1ECh[3]). Removed Link Loss Pass Through No Link Bit (1ECh[0]). Register C01h[2] clarified. Register C10h[9] clarified. Unreserved register C1Ah[5] and register C30h[2]. Changed register D6h[14:13] bit name from "SGMII_TESTMODE_SWING" to "SGMII_VOLTAGE_SWING".....	51
• Added 25MHz Oscillator Phase Noise Figure.....	115
• Added <a href="#">Section 9.2.1.2.1.3</a> .....	116

---

## 12 Mechanical, Packaging, and Orderable Information

The following pages include mechanical, packaging, and orderable information. This information is the most current data available for the designated devices. This data is subject to change without notice and revision of this document. For browser-based versions of this datasheet, refer to the left-hand navigation.

**PACKAGING INFORMATION**

Orderable part number	Status (1)	Material type (2)	Package   Pins	Package qty   Carrier	RoHS (3)	Lead finish/ Ball material (4)	MSL rating/ Peak reflow (5)	Op temp (°C)	Part marking (6)
<a href="#">DP83869HMRGZR</a>	Active	Production	VQFN (RGZ)   48	2000   LARGE T&R	Yes	Call TI   Nipdauag	Level-2-260C-1 YEAR	-40 to 125	DP83869HM
DP83869HMRGZR.A	Active	Production	VQFN (RGZ)   48	2000   LARGE T&R	Yes	Call TI	Level-2-260C-1 YEAR	-40 to 125	DP83869HM
<a href="#">DP83869HMRGZT</a>	Active	Production	VQFN (RGZ)   48	250   SMALL T&R	Yes	NIPDAUAG	Level-2-260C-1 YEAR	-40 to 125	DP83869HM
DP83869HMRGZT.A	Active	Production	VQFN (RGZ)   48	250   SMALL T&R	Yes	NIPDAUAG	Level-2-260C-1 YEAR	-40 to 125	DP83869HM

(1) **Status:** For more details on status, see our [product life cycle](#).

(2) **Material type:** When designated, preproduction parts are prototypes/experimental devices, and are not yet approved or released for full production. Testing and final process, including without limitation quality assurance, reliability performance testing, and/or process qualification, may not yet be complete, and this item is subject to further changes or possible discontinuation. If available for ordering, purchases will be subject to an additional waiver at checkout, and are intended for early internal evaluation purposes only. These items are sold without warranties of any kind.

(3) **RoHS values:** Yes, No, RoHS Exempt. See the [TI RoHS Statement](#) for additional information and value definition.

(4) **Lead finish/Ball material:** Parts may have multiple material finish options. Finish options are separated by a vertical ruled line. Lead finish/Ball material values may wrap to two lines if the finish value exceeds the maximum column width.

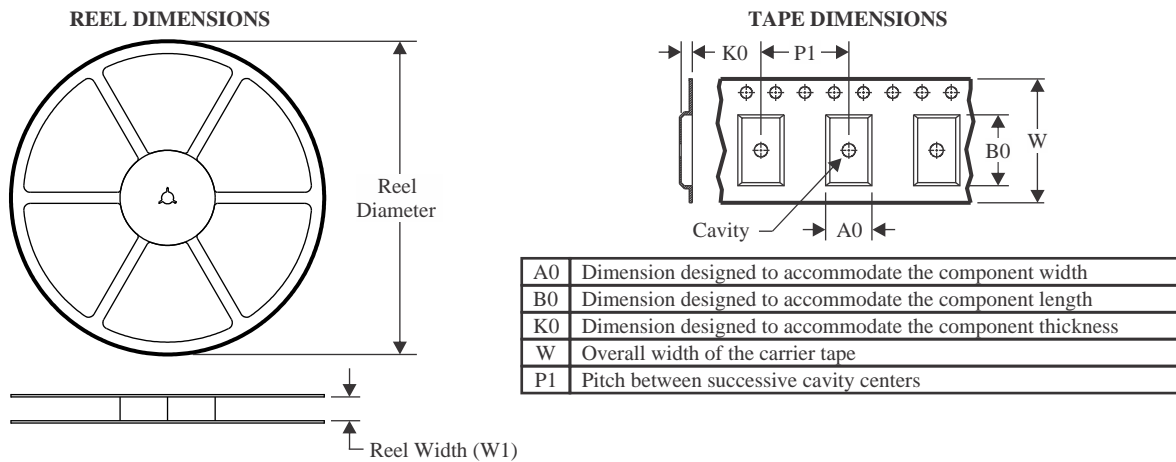
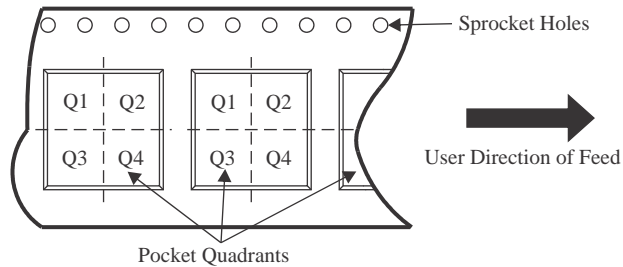
(5) **MSL rating/Peak reflow:** The moisture sensitivity level ratings and peak solder (reflow) temperatures. In the event that a part has multiple moisture sensitivity ratings, only the lowest level per JEDEC standards is shown. Refer to the shipping label for the actual reflow temperature that will be used to mount the part to the printed circuit board.

(6) **Part marking:** There may be an additional marking, which relates to the logo, the lot trace code information, or the environmental category of the part.

Multiple part markings will be inside parentheses. Only one part marking contained in parentheses and separated by a "~" will appear on a part. If a line is indented then it is a continuation of the previous line and the two combined represent the entire part marking for that device.

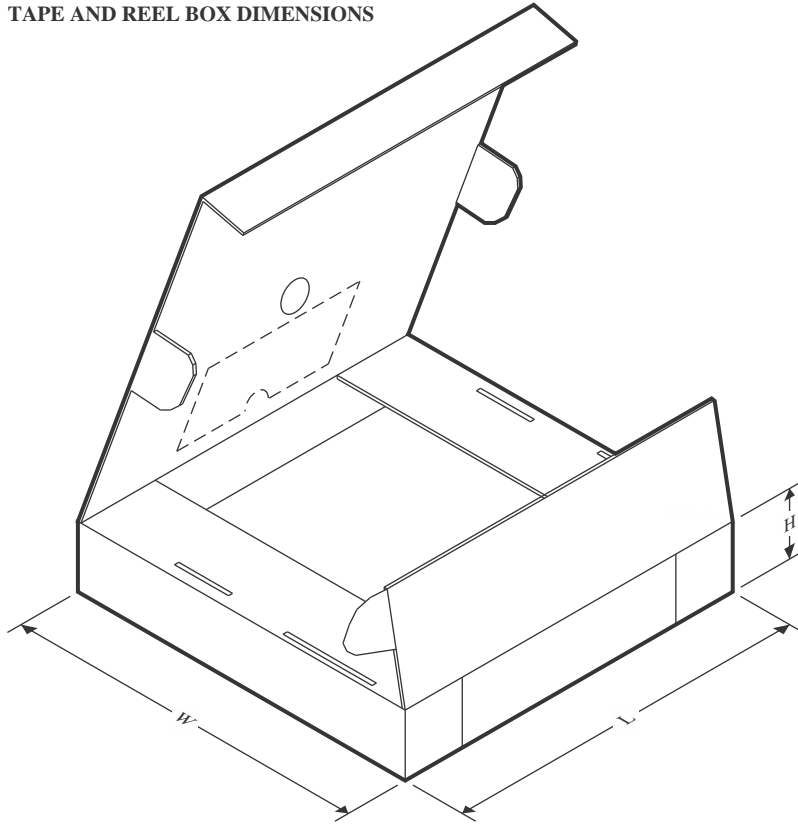
**Important Information and Disclaimer:** The information provided on this page represents TI's knowledge and belief as of the date that it is provided. TI bases its knowledge and belief on information provided by third parties, and makes no representation or warranty as to the accuracy of such information. Efforts are underway to better integrate information from third parties. TI has taken and continues to take reasonable steps to provide representative and accurate information but may not have conducted destructive testing or chemical analysis on incoming materials and chemicals. TI and TI suppliers consider certain information to be proprietary, and thus CAS numbers and other limited information may not be available for release.

In no event shall TI's liability arising out of such information exceed the total purchase price of the TI part(s) at issue in this document sold by TI to Customer on an annual basis.

**TAPE AND REEL INFORMATION**

**QUADRANT ASSIGNMENTS FOR PIN 1 ORIENTATION IN TAPE**


\*All dimensions are nominal

Device	Package Type	Package Drawing	Pins	SPQ	Reel Diameter (mm)	Reel Width W1 (mm)	A0 (mm)	B0 (mm)	K0 (mm)	P1 (mm)	W (mm)	Pin1 Quadrant
DP83869HMRGZR	VQFN	RGZ	48	2000	330.0	16.4	7.3	7.3	1.1	12.0	16.0	Q2
DP83869HMRGZT	VQFN	RGZ	48	250	180.0	16.4	7.3	7.3	1.1	12.0	16.0	Q2

**TAPE AND REEL BOX DIMENSIONS**


\*All dimensions are nominal

Device	Package Type	Package Drawing	Pins	SPQ	Length (mm)	Width (mm)	Height (mm)
DP83869HMRGZR	VQFN	RGZ	48	2000	367.0	367.0	38.0
DP83869HMRGZT	VQFN	RGZ	48	250	210.0	185.0	35.0

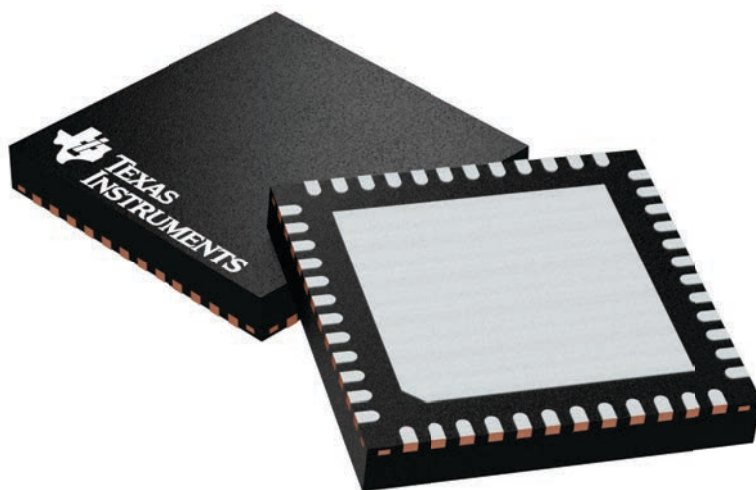
## GENERIC PACKAGE VIEW

**RGZ 48**

**VQFN - 1 mm max height**

7 x 7, 0.5 mm pitch

PLASTIC QUADFLAT PACK- NO LEAD



Images above are just a representation of the package family, actual package may vary.  
Refer to the product data sheet for package details.

4224671/A

## IMPORTANT NOTICE AND DISCLAIMER

TI PROVIDES TECHNICAL AND RELIABILITY DATA (INCLUDING DATASHEETS), DESIGN RESOURCES (INCLUDING REFERENCE DESIGNS), APPLICATION OR OTHER DESIGN ADVICE, WEB TOOLS, SAFETY INFORMATION, AND OTHER RESOURCES "AS IS" AND WITH ALL FAULTS, AND DISCLAIMS ALL WARRANTIES, EXPRESS AND IMPLIED, INCLUDING WITHOUT LIMITATION ANY IMPLIED WARRANTIES OF MERCHANTABILITY, FITNESS FOR A PARTICULAR PURPOSE OR NON-INFRINGEMENT OF THIRD PARTY INTELLECTUAL PROPERTY RIGHTS.

These resources are intended for skilled developers designing with TI products. You are solely responsible for (1) selecting the appropriate TI products for your application, (2) designing, validating and testing your application, and (3) ensuring your application meets applicable standards, and any other safety, security, regulatory or other requirements.

These resources are subject to change without notice. TI grants you permission to use these resources only for development of an application that uses the TI products described in the resource. Other reproduction and display of these resources is prohibited. No license is granted to any other TI intellectual property right or to any third party intellectual property right. TI disclaims responsibility for, and you fully indemnify TI and its representatives against any claims, damages, costs, losses, and liabilities arising out of your use of these resources.

TI's products are provided subject to [TI's Terms of Sale](#), [TI's General Quality Guidelines](#), or other applicable terms available either on [ti.com](#) or provided in conjunction with such TI products. TI's provision of these resources does not expand or otherwise alter TI's applicable warranties or warranty disclaimers for TI products. Unless TI explicitly designates a product as custom or customer-specified, TI products are standard, catalog, general purpose devices.

TI objects to and rejects any additional or different terms you may propose.

Copyright © 2026, Texas Instruments Incorporated

Last updated 10/2025