

# L1 and L2 EV Charger Electric Vehicle Service Equipment Design Considerations



Surya Mishra

## ABSTRACT

This application report explains different auxiliary power tree architectures in an Electric Vehicle Service Equipment (EVSE) of AC level 1 and level 2 electric vehicle (EV) charging stations, relay or contactor drive using motor drivers, and contact weld detection.

## Table of Contents

1 Introduction.....	2
2 Auxiliary Power Tree Architectures in an EVSE.....	4
3 Relay or Contactor Drive Using Half-Bridge Driver.....	6
4 Relay or Contactor Weld Detection.....	7
5 Conclusion.....	8
6 References.....	8
7 Revision History.....	9

## List of Figures

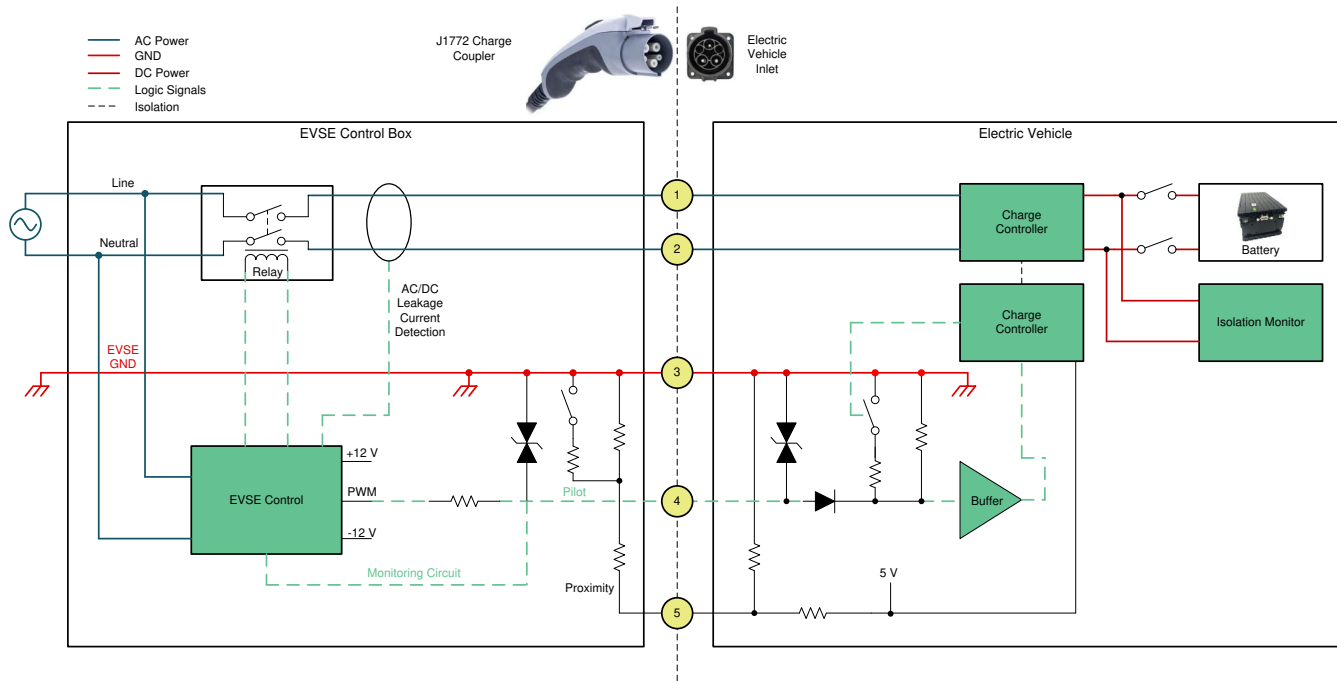
Figure 1-1. AC Level 1 and Level 2 System Configuration.....	2
Figure 2-1. Multi-Output Flyback Followed by Low-Cost LDOs and DC/DC.....	4
Figure 2-2. Single-Output Flyback Followed by Low-Cost LDOs and DC/DC.....	4
Figure 2-3. Multi-Output Flyback Followed by Low Standby LDOs and DC/DC.....	5
Figure 2-4. Single-Output Flyback Followed by Low Standby LDOs and DC/DC.....	5
Figure 3-1. H-Bridge Configuration Utilized to Drive a Solenoid.....	6
Figure 4-2. ISO1212 Digital Outputs and Relay Output Voltage When Relay is Closed.....	8
Figure 4-3. Delay Between Digital Outputs of ISO1212.....	8

## Trademarks

ENERGY STAR® are registered trademarks of U.S. Environmental Protection Agency.  
Panasonic® is a registered trademark of Panasonic Corporation.  
All trademarks are the property of their respective owners.

## 1 Introduction

Electric vehicles (EVs), including plug-in hybrid electric vehicles (PHEVs), receive energy from the electrical grid through EVSE, more commonly known as EV chargers. To facilitate the power delivery to the vehicle, the EVSE sits between a stable grid connection and the vehicle, as [Figure 1-1](#) shows.

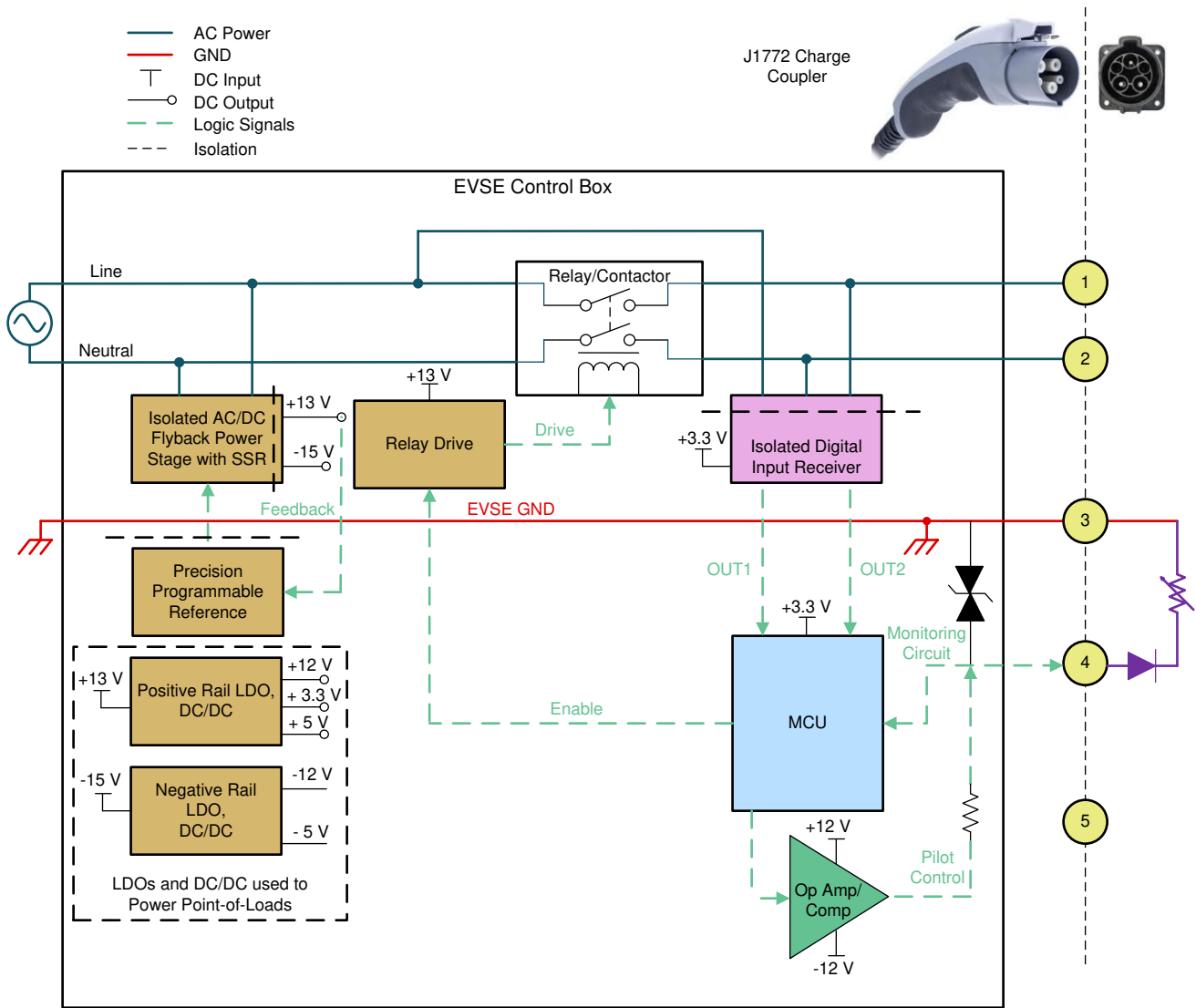


**Figure 1-1. AC Level 1 and Level 2 System Configuration**

The primary EVSE functionality includes:

- Regulated electrical current: Ensures that the optimal current is provided and falls within the maximum current the EV can handle.
- AC/DC residual current detection (RCD)
- Relay and contactor drive and latched contact detection
- Energy metering
- Automatic disconnect: Shuts off power when a fault is detected to avoid risks like battery damage, electrical shorts, or fires.
- Safety lock-out feature: Prevents current from flowing when the charger is not connected to an EV.

An EVSE control system mainly consists of auxiliary power stage, off-board AC/DC high-power stage (only in DC charging stations), energy metering, AC and DC residual current detection, isolation monitor unit, relays and contactors with drive, two-way communication, and service and user interfaces. [Common Implementation of an EVSE in AC EV Charging Station](#) shows the most common implementation of an EVSE in AC EV charging stations.



AC/DC leakage current detection sub-systems are not shown in this implementation.

**Figure 1-2. Common Implementation of an EVSE in AC EV Charging Station**

## 2 Auxiliary Power Tree Architectures in an EVSE

The auxiliary power tree in EVSE mainly consists of isolated AC/DC flyback power stage followed by linear regulators and DC/DC buck converters to generate I/O voltage, bipolar power rail for control pilot signal interface, and analog voltage for the different peripherals.

The isolated AC/DC flyback stage is based on the UCC28740 controller which provides constant-voltage (CV) using an optical coupler to improve transient response to large-load steps. Constant-current (CC) regulation is accomplished through primary-side regulation (PSR) techniques. This device processes information from the optocoupled feedback and an auxiliary flyback winding for precise high-performance control of the output voltage and current.

Figure 2-1 and Figure 2-2 highlight the implementation of low-cost variants of the power tree along with the peripheral requirements in an EVSE design.

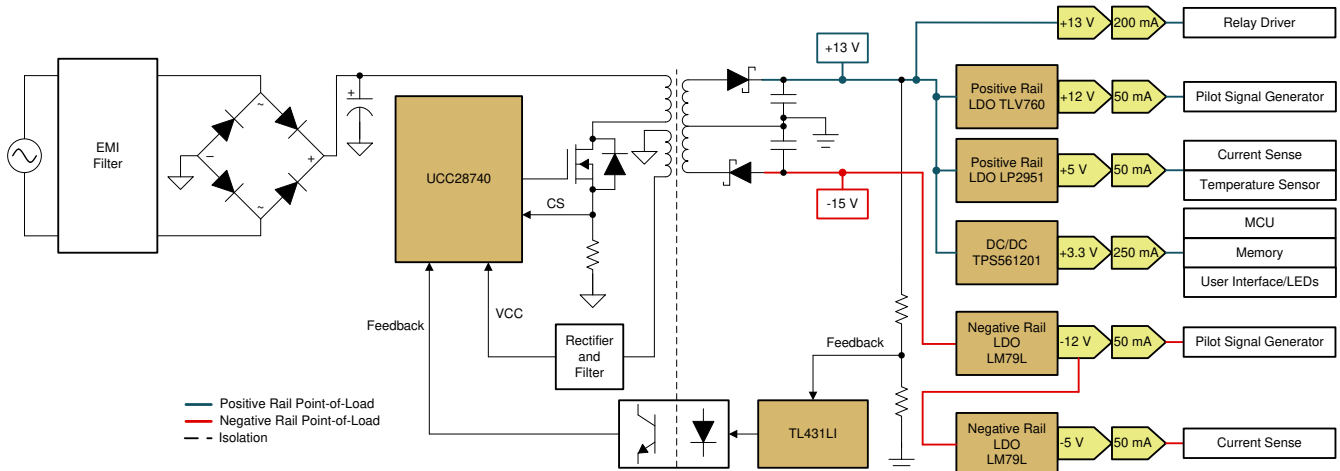


Figure 2-1. Multi-Output Flyback Followed by Low-Cost LDOs and DC/DC

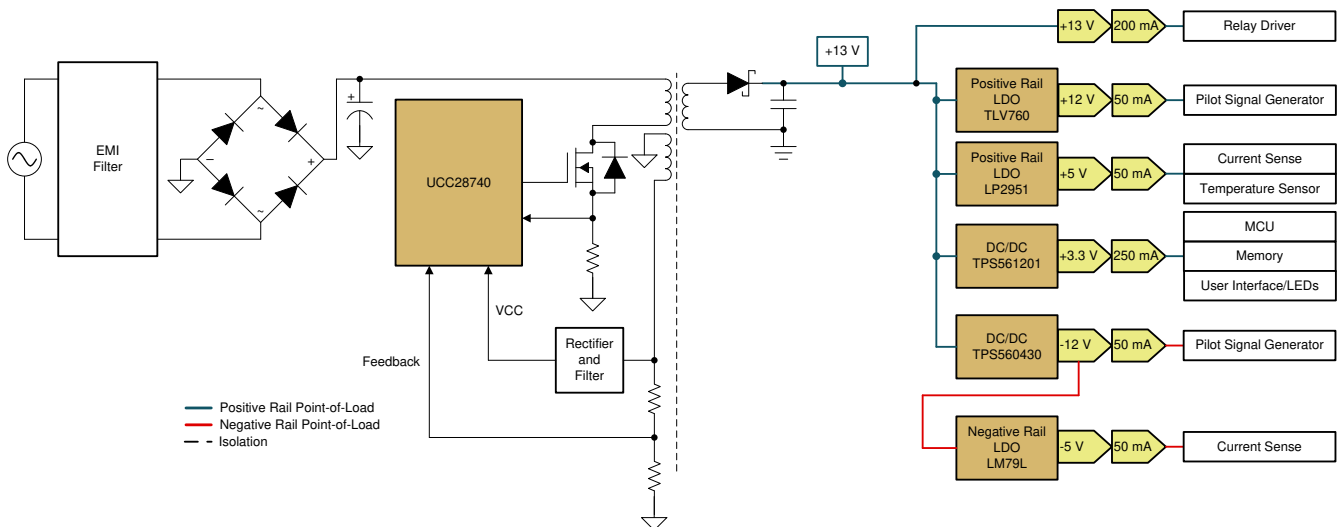
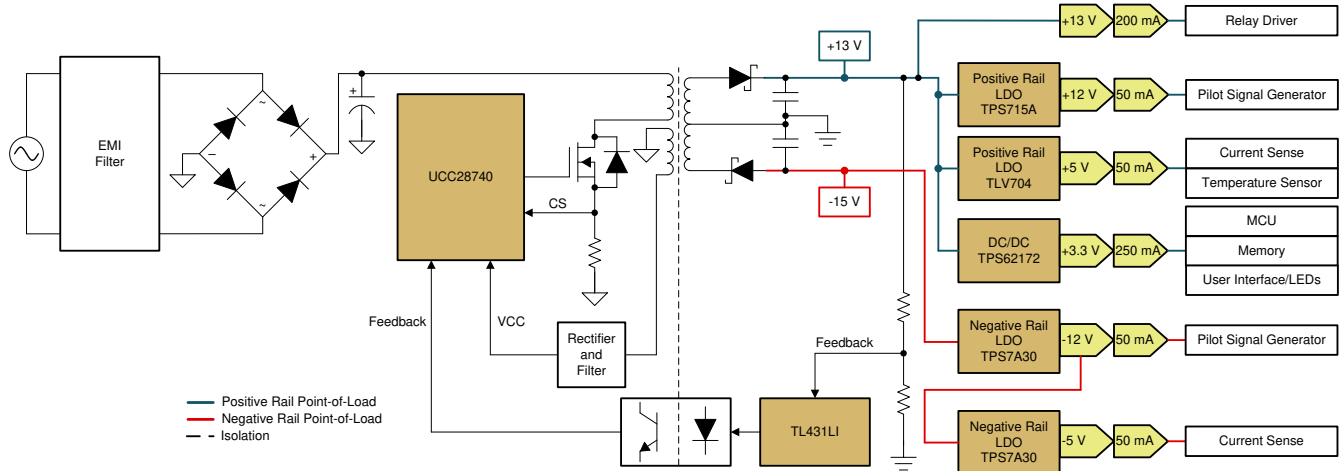


Figure 2-2. Single-Output Flyback Followed by Low-Cost LDOs and DC/DC

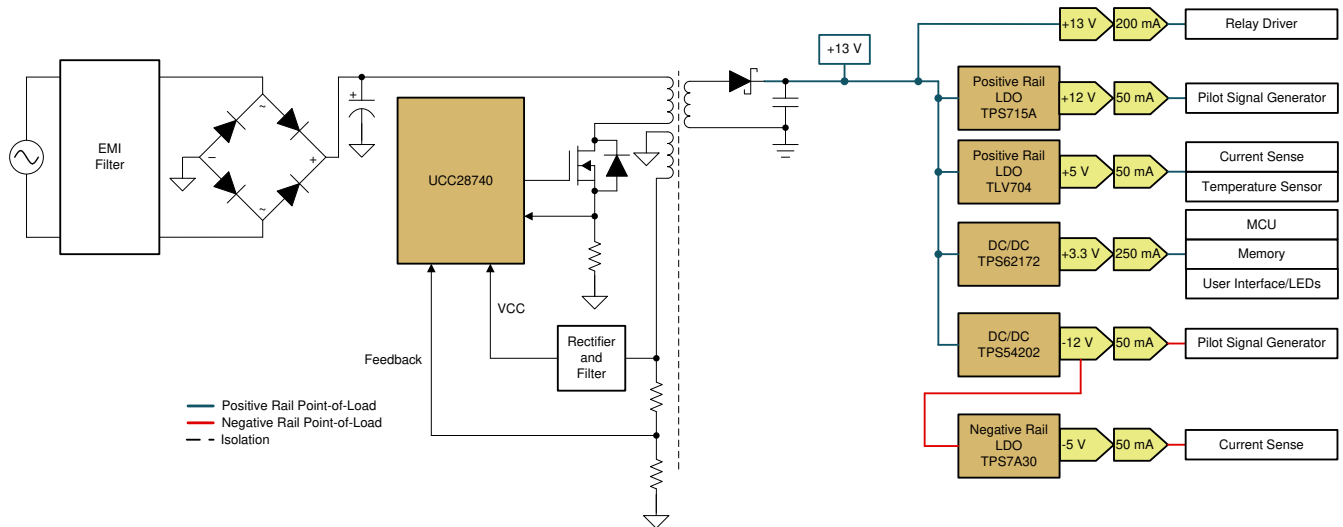
### 2.1 Low Standby Power Tree to Meet ENERGY STAR®

Most EV chargers typically remain in standby for 85% of their lifetime. ENERGY STAR certified EV chargers require, on average, 40% less energy on standby mode (that is, not charging a vehicle) than standard EV chargers do. By using an ENERGY STAR certified charger, consumers and businesses can reduce their charging costs significantly .

Figure 2-3 and Figure 2-4 highlight the implementation of low standby variants of the power tree along with the peripheral requirements in an EVSE design.



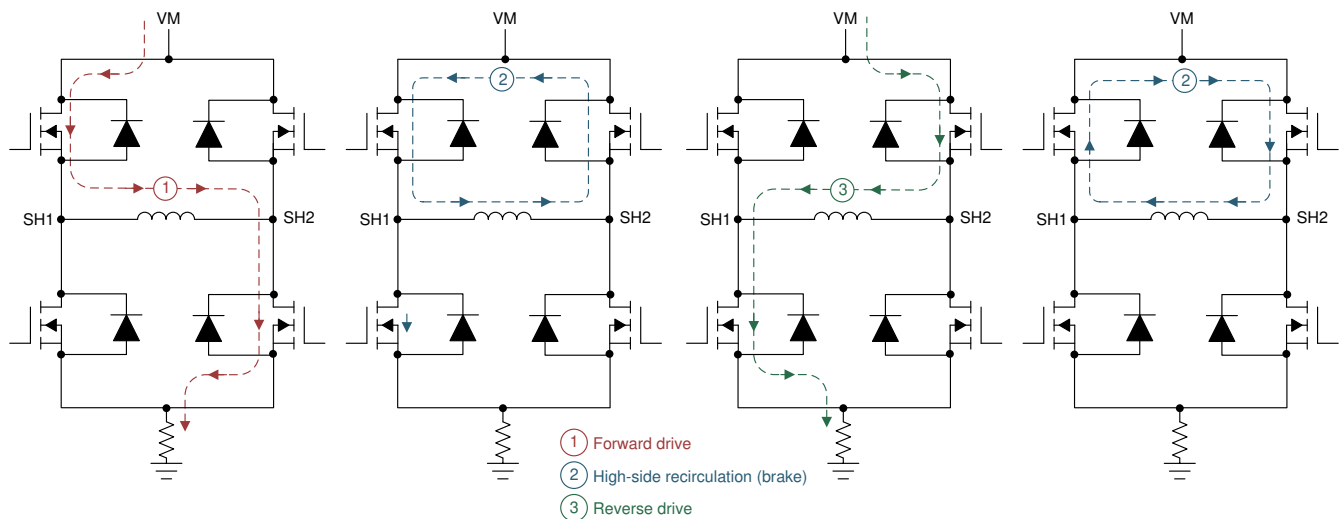
**Figure 2-3. Multi-Output Flyback Followed by Low Standby LDOs and DC/DC**



**Figure 2-4. Single-Output Flyback Followed by Low Standby LDOs and DC/DC**

### 3 Relay or Contactor Drive Using Half-Bridge Driver

An H-Bridge is two half-bridges joined together by a load. They are mainly used in applications where the voltage or current polarity applied to the load needs to be switched; for example, a latching relay. An H-Bridge also causes the current to re-circulate slower using the opposing MOSFET. [Figure 3-1](#) shows how an H-Bridge can drive a conventional solenoid valve.



**Figure 3-1. H-Bridge Configuration Utilized to Drive a Solenoid**

This configuration enables the reduction of heat dissipation and improves thermal performance to increase efficiency over time. This drive topology also ensures fast discharge of the relay in case of contact welding faults due to arcing. The reliable integrated current control ensures that relays stay energized regardless of temperature. This configuration also protects both short-to- $V_{SUPPLY}$  and short-to-GND scenarios.

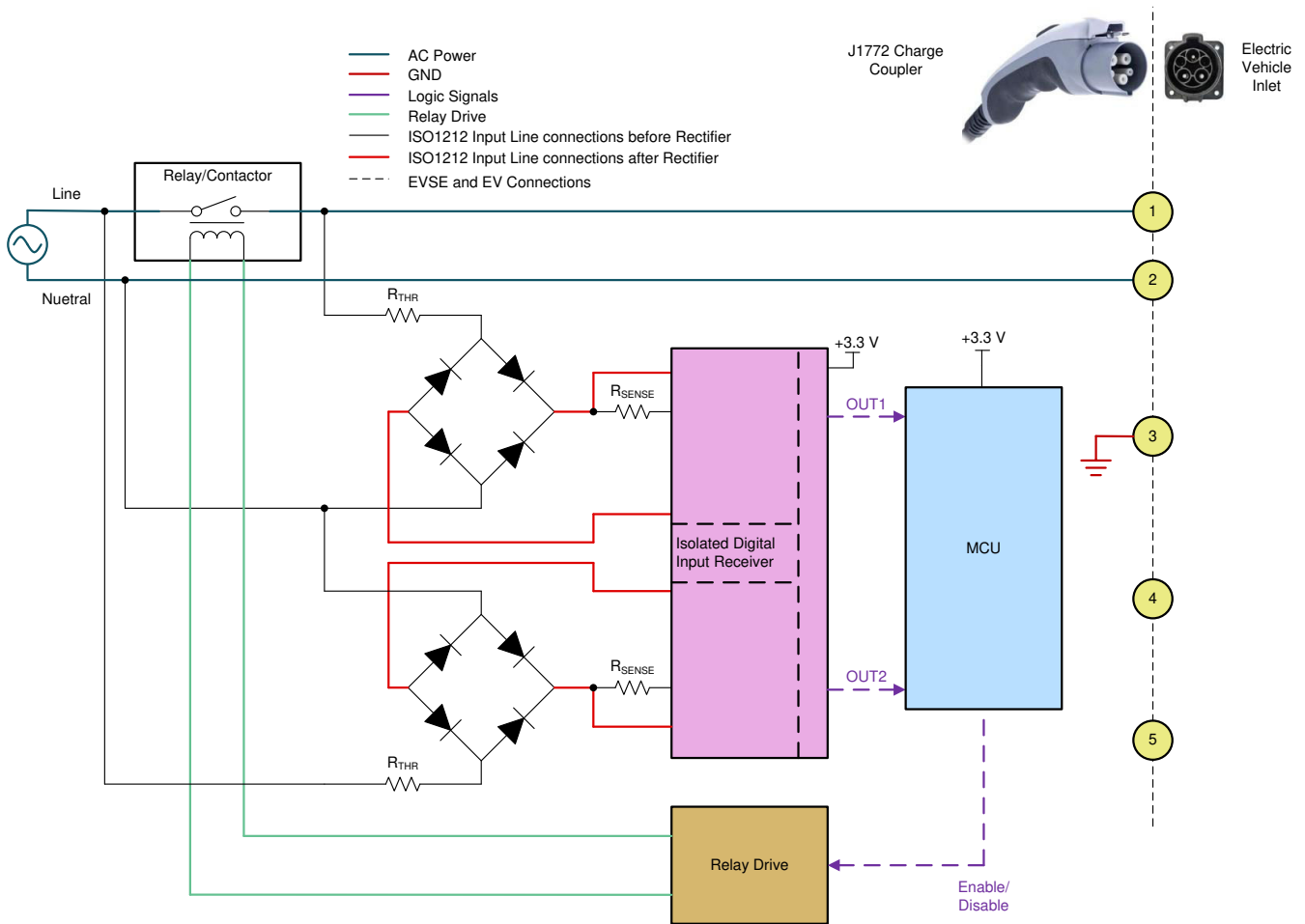
The DRV8816 motor driver helps drive the relay in single-phase AC EV charging applications to reduce thermal dissipation and fast discharge of the relay in case of contact with a welding fault.

The DRV8847 motor driver can drive relays like the [Panasonic® HE-S](#) in 3-phase AC EV charging applications. Using these motor-driver ICs can simplify the design and decrease the board size needed to accomplish this task.

## 4 Relay or Contactor Weld Detection

The detection of the voltage output of the primary relay is a major safety consideration. The contact between relay and contactor can result in arching and fuse them together supplying power to the charge coupler or plug even when the processor has disabled the relay drive stage. This is why verifying that the operation was completed correctly is crucial and should be done every time the relay is opened.

TI's ISO1212 device is a fully-integrated, isolated digital input receiver that helps implement this check by sensing or monitoring the line voltage. The ISO1212 receiver has an integrated current limit, is compliant to IEC 61131-2 Type 1, 2, and 3 characteristics, and is suitable for multichannel designs. [ISO1212 Connections for Contact Weld Detection](#) shows the implementation of both channels of the digital input module with the ISO1212 for contact weld detection. The  $R_{SENSE}$  resistor controls the current limit, and the  $R_{THR}$  resistor controls the voltage transition thresholds. The outputs (OUT1 and OUT2) from the ISO1212 device are GPIO-level DC signals that are high when voltage is present and are fed directly into the MCU for fault detection.



Control pilot interface, auxiliary power tree, and AC/DC leakage current detection sub-system are not shown in this implementation.

**Figure 4-1. ISO1212 Connections for Contact Weld Detection**

Figure 4-2 and Figure 4-3 show the ISO1212 digital outputs and input line voltage in fault condition and the delay between the digital outputs of the ISO1212 device.

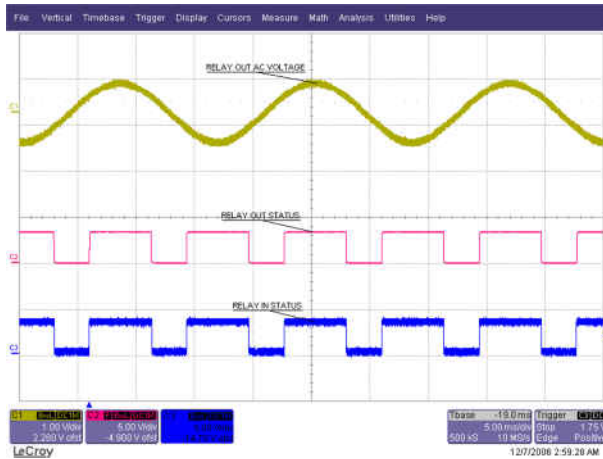


Figure 4-2. ISO1212 Digital Outputs and Relay Output Voltage When Relay is Closed

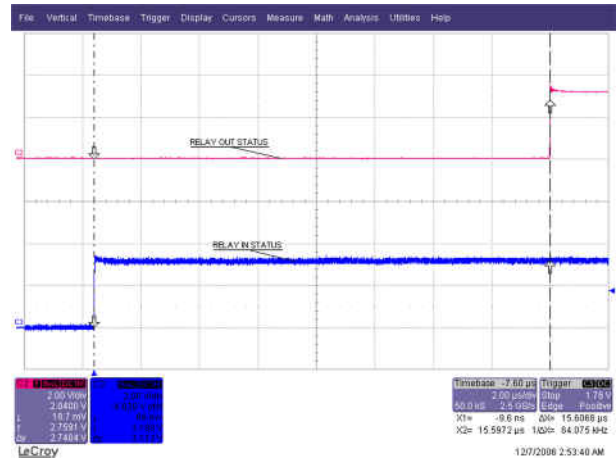


Figure 4-3. Delay Between Digital Outputs of ISO1212

## 5 Conclusion

The auxiliary power tree design includes multi-winding output or single winding flyback stage and low-cost or low-standby devices. Motor driver ICs such as the DRV8816 and DRV8847 can be an effective, efficient, and reliable solution to drive solenoids in single- and three-phase AC EV charging stations. Fully-integrated drivers such as the DRV8847 enable multiple solenoids with a single device, increase efficiency using PWM and reliability using current sense feedback. The ISO1212 device provides a modern solution for relay or contactor weld detection. Its integrated IEC 61131-2 input characteristics, voltage comparator with hysteresis, and precise current limit provides a space-effective solution for simplified, multichannel designs.

## 6 References

- Texas Instruments, [SAE J1772-compliant electric vehicle service equipment reference design for level 1 and 2 EV charger Tool Folder](#)
- Texas Instruments, [Designing a negative boost converter from a standard positive buck converter White Paper](#)
- Schaeffner, T. (23January2018). [The best way to generate a negative voltage for your system. newelectronics.com](#). Retrieved from <http://www.newelectronics.co.uk/electronics-technology/the-best-way-to-generate-a-negative-voltage-for-your-system/167618/>
- Texas Instruments, [Using DRV to Drive Solenoids - DRV8876/DRV8702-Q1/DRV8343-Q1 Application Report](#)



## 7 Revision History

NOTE: Page numbers for previous revisions may differ from page numbers in the current version.

<b>Changes from Revision A (April 2020) to Revision B (June 2021)</b>		<b>Page</b>
• Updated the numbering format for tables, figures and cross-references throughout the document.....		2
<b>Changes from Revision * (March 2020) to Revision A (April 2020)</b>		<b>Page</b>
• Removed various tracked changes errors from the application report.....		1
• Made slight change to the switches in the <i>EVSE Control Box</i> portion of the <i>Figure 1-1</i> image.....		2
• Changed several voltages and device names in <i>Common Implementation of an EVSE in AC EV Charging Station</i> .....		2
• Changed several device names in <i>Figure 2-1</i> .....		4
• Changed the TPS760 device to TLV760 in <i>Figure 2-2</i> .....		4
• Changed the TL431I device to TL431LI in <i>Figure 2-3</i> .....		4
• Changed +13 V to +3.3 V in <i>ISO1212 Connections for Contact Weld Detection</i> .....		7

## IMPORTANT NOTICE AND DISCLAIMER

TI PROVIDES TECHNICAL AND RELIABILITY DATA (INCLUDING DATASHEETS), DESIGN RESOURCES (INCLUDING REFERENCE DESIGNS), APPLICATION OR OTHER DESIGN ADVICE, WEB TOOLS, SAFETY INFORMATION, AND OTHER RESOURCES "AS IS" AND WITH ALL FAULTS, AND DISCLAIMS ALL WARRANTIES, EXPRESS AND IMPLIED, INCLUDING WITHOUT LIMITATION ANY IMPLIED WARRANTIES OF MERCHANTABILITY, FITNESS FOR A PARTICULAR PURPOSE OR NON-INFRINGEMENT OF THIRD PARTY INTELLECTUAL PROPERTY RIGHTS.

These resources are intended for skilled developers designing with TI products. You are solely responsible for (1) selecting the appropriate TI products for your application, (2) designing, validating and testing your application, and (3) ensuring your application meets applicable standards, and any other safety, security, or other requirements. These resources are subject to change without notice. TI grants you permission to use these resources only for development of an application that uses the TI products described in the resource. Other reproduction and display of these resources is prohibited. No license is granted to any other TI intellectual property right or to any third party intellectual property right. TI disclaims responsibility for, and you will fully indemnify TI and its representatives against, any claims, damages, costs, losses, and liabilities arising out of your use of these resources.

TI's products are provided subject to TI's Terms of Sale (<https://www.ti.com/legal/termsofsale.html>) or other applicable terms available either on [ti.com](https://www.ti.com) or provided in conjunction with such TI products. TI's provision of these resources does not expand or otherwise alter TI's applicable warranties or warranty disclaimers for TI products.

Mailing Address: Texas Instruments, Post Office Box 655303, Dallas, Texas 75265  
Copyright © 2021, Texas Instruments Incorporated