

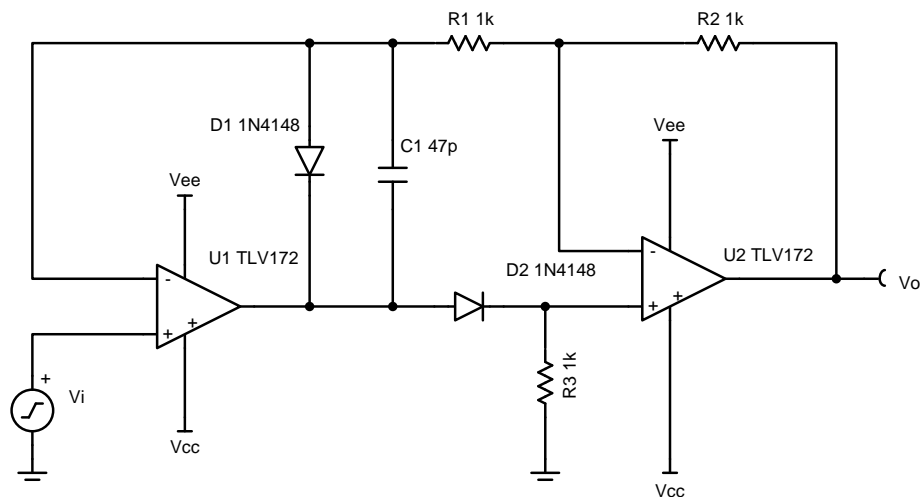
Full-wave rectifier circuit

Design Goals

Input		Output		Supply		
V_{iMin}	V_{iMax}	V_{oMin}	V_{oMax}	V_{cc}	V_{ee}	V_{ref}
$\pm 25mV$	$\pm 10V$	25mV	10V	15V	-15V	0V

Design Description

This absolute value circuit can turn alternating current (AC) signals to single polarity signals. This circuit functions with limited distortion for $\pm 10\text{-V}$ input signals at frequencies up to 50kHz and for signals as small as $\pm 25\text{mV}$ at frequencies up to 1kHz.



Design Notes

1. Be sure to select an op amp with sufficient bandwidth and a high slew rate.
2. For greater precision look for an op amp with low offset voltage, low noise, and low total harmonic distortion (THD).
3. The resistors were selected to be 0.1% tolerance to reduce gain error.
4. Selecting too large of a capacitor C_1 will cause large distortion on the transition edges when the input signal changes polarity. C_1 may not be required for all op amps.
5. Use a fast switching diode.

Design Steps

1. Select gain resistors.

- a. Gain for positive input signals.

$$\frac{V_o}{V_i} = 1 \frac{V}{V}$$

- b. Gain for negative input signals.

$$\frac{V_o}{V_i} = - \frac{R_2}{R_1} = - 1 \frac{V}{V}$$

2. Select R_1 and R_2 to reduce thermal noise and to minimize voltage drops due to the reverse leakage current of the diode. These resistors will appear as loads to U_1 and U_2 during negative input signals.

$$R_1 = R_2 = 1 \text{ k}\Omega$$

3. R_3 biases the non-inverting node of U_2 to GND during negative input signals. Select R_3 to be the same value as R_1 and R_2 . U_1 must be able to drive the R_3 load during positive input signals.

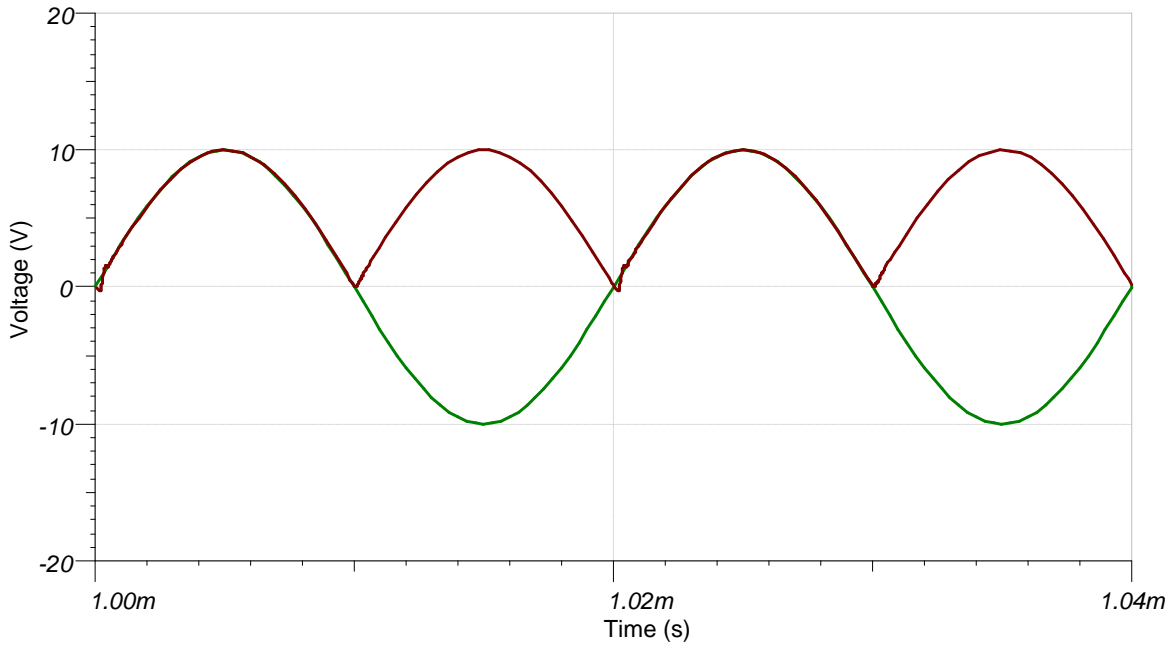
$$R_3 = 1 \text{ k}\Omega$$

4. Select C_1 based on the desired transient response. See the *Design Reference* section for more information.

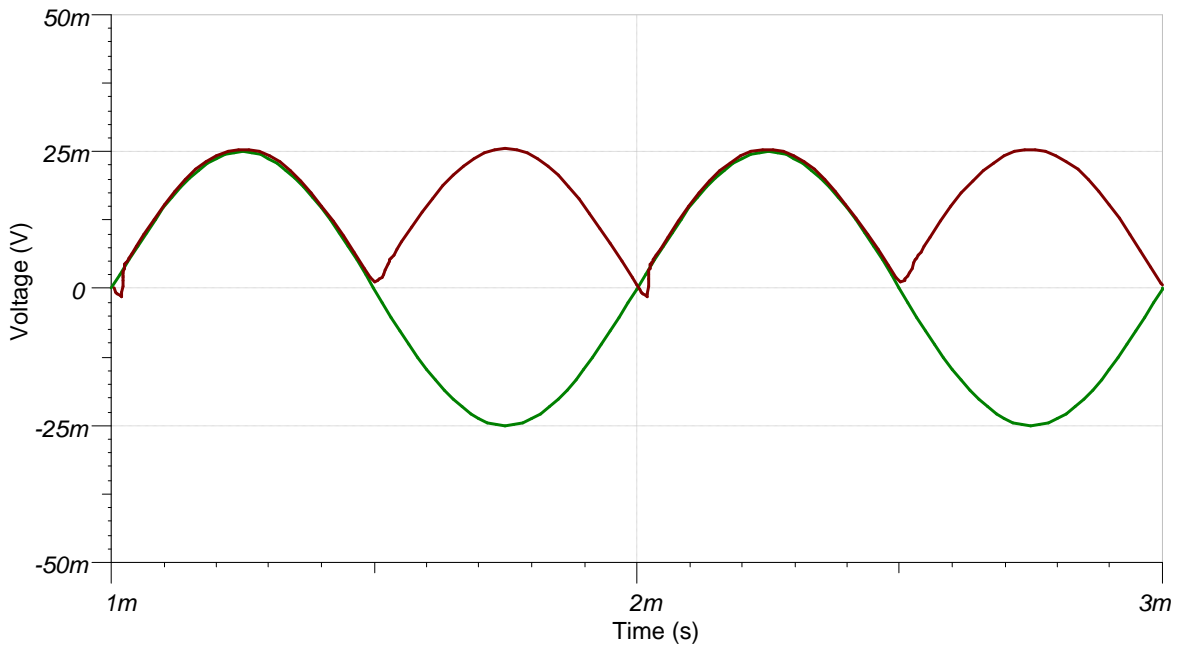
$$C_1 = 47\text{pF}$$

Design Simulations

Transient Simulation Results



±10V at 50-kHz Input



±25mV at 1-kHz Input

Design References

See [Analog Engineer's Circuit Cookbooks](#) for TI's comprehensive circuit library.

See circuit SPICE simulation file [SBOC517](#).

See TIPD139, www.ti.com/tool/tipd139.

Design Featured Op Amp

TLV172	
V_{cc}	4.5V to 36V
V_{inCM}	Vee to ($V_{cc}-2V$)
V_{out}	Rail-to-rail
V_{os}	0.5mV
I_q	1.6mA/Ch
I_b	10pA
UGBW	10MHz
SR	10V/ μ s
#Channels	1, 2, 4
www.ti.com/product/tlv172	

Design Alternate Op Amp

OPA197	
V_{cc}	4.5V to 36V
V_{inCM}	Rail-to-rail
V_{out}	Rail-to-rail
V_{os}	25 μ V
I_q	1mA/Ch
I_b	5pA
UGBW	10MHz
SR	20V/ μ s
#Channels	1, 2, 4
www.ti.com/product/opa197	

Revision History

Revision	Date	Change
A	January 2019	Downscale the title and changed title role to 'Amplifiers'. Added link to circuit cookbook landing page and Spice simulation file.

IMPORTANT NOTICE AND DISCLAIMER

TI PROVIDES TECHNICAL AND RELIABILITY DATA (INCLUDING DATASHEETS), DESIGN RESOURCES (INCLUDING REFERENCE DESIGNS), APPLICATION OR OTHER DESIGN ADVICE, WEB TOOLS, SAFETY INFORMATION, AND OTHER RESOURCES "AS IS" AND WITH ALL FAULTS, AND DISCLAIMS ALL WARRANTIES, EXPRESS AND IMPLIED, INCLUDING WITHOUT LIMITATION ANY IMPLIED WARRANTIES OF MERCHANTABILITY, FITNESS FOR A PARTICULAR PURPOSE OR NON-INFRINGEMENT OF THIRD PARTY INTELLECTUAL PROPERTY RIGHTS.

These resources are intended for skilled developers designing with TI products. You are solely responsible for (1) selecting the appropriate TI products for your application, (2) designing, validating and testing your application, and (3) ensuring your application meets applicable standards, and any other safety, security, or other requirements. These resources are subject to change without notice. TI grants you permission to use these resources only for development of an application that uses the TI products described in the resource. Other reproduction and display of these resources is prohibited. No license is granted to any other TI intellectual property right or to any third party intellectual property right. TI disclaims responsibility for, and you will fully indemnify TI and its representatives against, any claims, damages, costs, losses, and liabilities arising out of your use of these resources.

TI's products are provided subject to TI's Terms of Sale (www.ti.com/legal/termsofsale.html) or other applicable terms available either on ti.com or provided in conjunction with such TI products. TI's provision of these resources does not expand or otherwise alter TI's applicable warranties or warranty disclaimers for TI products.

Mailing Address: Texas Instruments, Post Office Box 655303, Dallas, Texas 75265
Copyright © 2019, Texas Instruments Incorporated