

## User's Guide

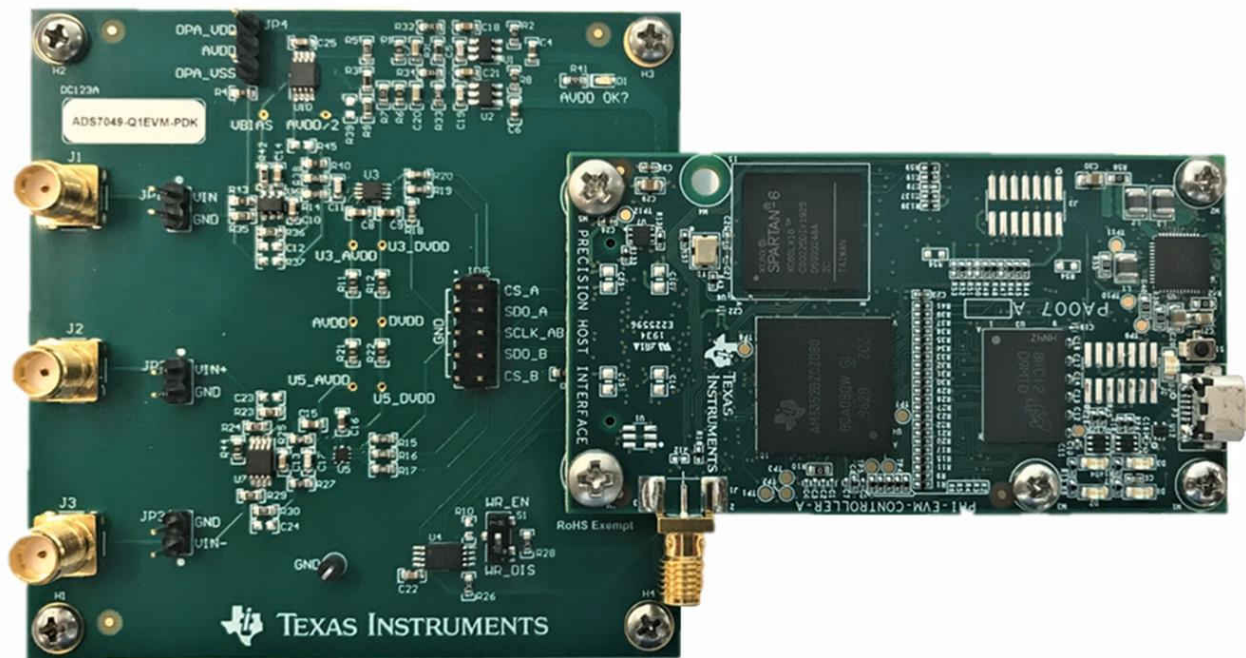
# ADS7042EVM-PDK, ADS7049-Q1EVM-PDK, and ADS7057EVM-PDK Evaluation Module



### ABSTRACT

This user's guide describes the characteristics, operation, and use of the ADS7042EVM-PDK, ADS7049-Q1EVM-PDK, and ADS7057EVM-PDK evaluation modules (EVM), referred to collectively as the ADS704X-5XEVM-PDK. Each kit functions as an evaluation platform for two different low-power, small-size, general-purpose successive approximation register (SAR) analog-to-digital converters (ADCs). These ADCs include the 12-bit, 1-MSPS, single-ended input ADS7042, the 12-bit, 2-MSPS, single-ended ADS7049-Q1, the 12-bit, 3-MSPS, differential input ADS7047, and the 14-bit, 2.5-MSPS, differential input ADS7057. Moreover, unique EVM design enables evaluation of the entire family of ADS704x and ADS705x devices through minor modifications. Finally, this EVM platform eases device analysis using hardware, software, and computer connectivity through the universal serial bus (USB) interface.

This user's guide includes complete circuit descriptions, schematic diagrams, and a bill of materials. Throughout this document, the abbreviation *EVM* and the term *evaluation module* are synonymous with any EVM (ADS7042EVM-PDK, ADS7049-Q1EVM-PDK, or ADS7057EVM-PDK), unless otherwise noted.



## Table of Contents

|   |           |
|---|-----------|
| <b>1 ADS704X-5XEVM-PDK Overview</b> .....               | <b>3</b>  |
| <b>2 Introduction to the ADS704X-5XEVM</b> .....        | <b>5</b>  |
| 2.1 Analog Inputs.....                                  | 5         |
| 2.2 Power Supplies.....                                 | 7         |
| 2.3 Digital Interface and Communication.....            | 8         |
| 2.4 I <sup>2</sup> C Bus for Onboard EEPROM.....        | 9         |
| <b>3 ADS704X-5XEVM Software Installation</b> .....      | <b>10</b> |
| <b>4 EVM Operation</b> .....                            | <b>13</b> |
| 4.1 Connecting the Hardware.....                        | 13        |
| 4.2 EVM GUI Global Settings for ADC Control.....        | 14        |
| 4.3 Time Domain Display.....                            | 15        |
| 4.4 Spectral Analysis.....                              | 16        |
| 4.5 Histogram Analysis.....                             | 17        |
| 4.6 Updating EEPROM After ADC Replacement.....          | 17        |
| <b>5 Bill of Materials, Layout, and Schematic</b> ..... | <b>19</b> |
| 5.1 Bill of Materials.....                              | 19        |
| 5.2 Layout.....   | 21        |
| 5.3 Schematic.....                                      | 23        |
| <b>6 Revision History</b> .....                         | <b>24</b> |

### Trademarks

LabVIEW™ is a trademark of National Instruments.

Microsoft® and Windows® are registered trademarks of Microsoft Corporation.

All trademarks are the property of their respective owners.

## 1 ADS704X-5XEVM-PDK Overview

The ADS704X-5XEVM-PDK is a platform for evaluating the performance of the [ADS704x](#) and [ADS705x](#) family of ADCs. The ADS704X-5XEVM-PDK includes the following features:

- ADS704X-5XEVM for diagnostic testing and accurate performance evaluation of each ADC on the board
- USB powered—no external power supply is required
- A precision host interface (PHI) controller that provides a convenient communication interface to each ADC over USB 2.0 (or higher) for power delivery as well as digital input and output
- Microsoft® Windows® 8 and Windows® 10 operating systems
- Easy-to-use evaluation software for 64-bit Microsoft® Windows®
- A software suite that includes a graphical user interface (GUI) and tools for data capture, histogram analysis, and spectral analysis. This suite also has a provision for exporting data to a text file for post-processing

The PHI board primarily serves three functions:

- Provides a communication interface from the EVM to the computer through a USB port
- Provides the digital input and output signals necessary to communicate with each ADC
- Supplies power to all active circuitry on the ADS704X-5XEVM board

Each ADS704X-5XEVM board includes the peripheral analog circuits and components required to extract optimum performance from the ADC. Moreover, each ADS704X-5XEVM includes two complete ADC signal chains: one that supports a single-ended input ADC (see [Section 2.1.1](#)), and another that supports a differential input ADC (see [Section 2.1.2](#)). [Table 1-1](#) defines which ADCs are populated by default on each EVM.

**Table 1-1. Default ADCs Populated on Each EVM Variant**

| EVM Name          | Single-Ended ADC (U3) | Differential ADC (U5) |
|-------------------|-----------------------|-----------------------|
| ADS7042EVM-PDK    | ADS7042               | ADS7057               |
| ADS7049-Q1EVM-PDK | ADS7049-Q1            | ADS7047               |
| ADS7057EVM-PDK    | ADS7042               | ADS7057               |

Additionally, the ADS704X-5XEVM includes the following features:

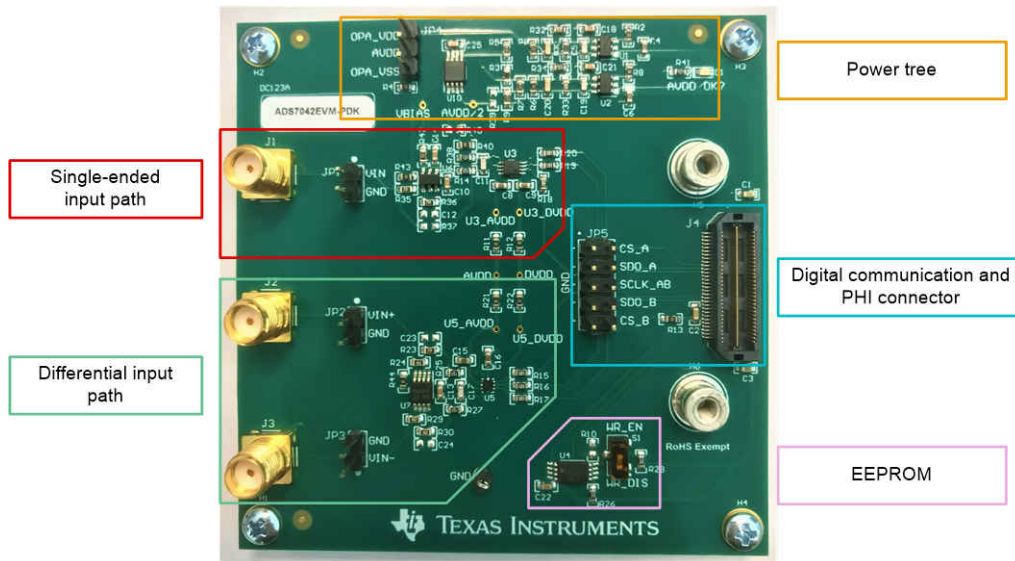
- External signal source from subminiature version A (SMA) connectors or header pins
- Option to use external power supplies
- Serial interface header for easy connection to the PHI controller
- Pin connections to monitor digital signals with a logic analyzer
- Two ultra-low noise, low-dropout (LDO) regulators for excellent single-supply regulation of all analog circuits
- Accommodates all package options for 14 different ADCs using four different device footprints, as per [Table 1-2](#)

**Table 1-2. ADCs Supported by the ADS704X-5XEVM**

| Supported ADC              | Populated on EVM?                 | Input Type          | Package Options (Designator) |
|----------------------------|-----------------------------------|---------------------|------------------------------|
| <a href="#">ADS7040</a>    | n/a                               | Single-ended        | X2QFN (U8), VSSOP (U3)       |
| <a href="#">ADS7041</a>    | n/a                               | Single-ended        | X2QFN (U8), VSSOP (U3)       |
| <a href="#">ADS7042</a>    | ADS7042EVM-PDK,<br>ADS7057EVM-PDK | Single-ended        | X2QFN (U8), VSSOP (U3)       |
| <a href="#">ADS7043</a>    | n/a                               | Pseudo-differential | X2QFN (U8), VSSOP (U3)       |
| <a href="#">ADS7044</a>    | n/a                               | Differential        | X2QFN (U5), VSSOP (U9)       |
| <a href="#">ADS7046</a>    | n/a                               | Single-ended        | X2QFN (U8)                   |
| <a href="#">ADS7047</a>    | ADS7049-Q1EVM-PDK                 | Differential        | X2QFN (U5)                   |
| <a href="#">ADS7052</a>    | n/a                               | Single-ended        | X2QFN (U8)                   |
| <a href="#">ADS7054</a>    | n/a                               | Differential        | X2QFN (U5)                   |
| <a href="#">ADS7056</a>    | n/a                               | Single-ended        | X2QFN (U8)                   |
| <a href="#">ADS7057</a>    | ADS7042EVM-PDK,<br>ADS7057EVM-PDK | Differential        | X2QFN (U5)                   |
| <a href="#">ADS7029-Q1</a> | n/a                               | Single-ended        | VSSOP (U3)                   |
| <a href="#">ADS7039-Q1</a> | n/a                               | Single-ended        | VSSOP (U3)                   |
| <a href="#">ADS7049-Q1</a> | ADS7049-Q1EVM-PDK                 | Single-ended        | VSSOP (U3)                   |

## 2 Introduction to the ADS704X-5XEVM

Each ADS704X-5XEVM board includes the peripheral analog circuits and components required to extract optimum performance from each ADC signal chain. Important portions of the EVM are highlighted in [Figure 2-1](#), and described in the subsequent sections.



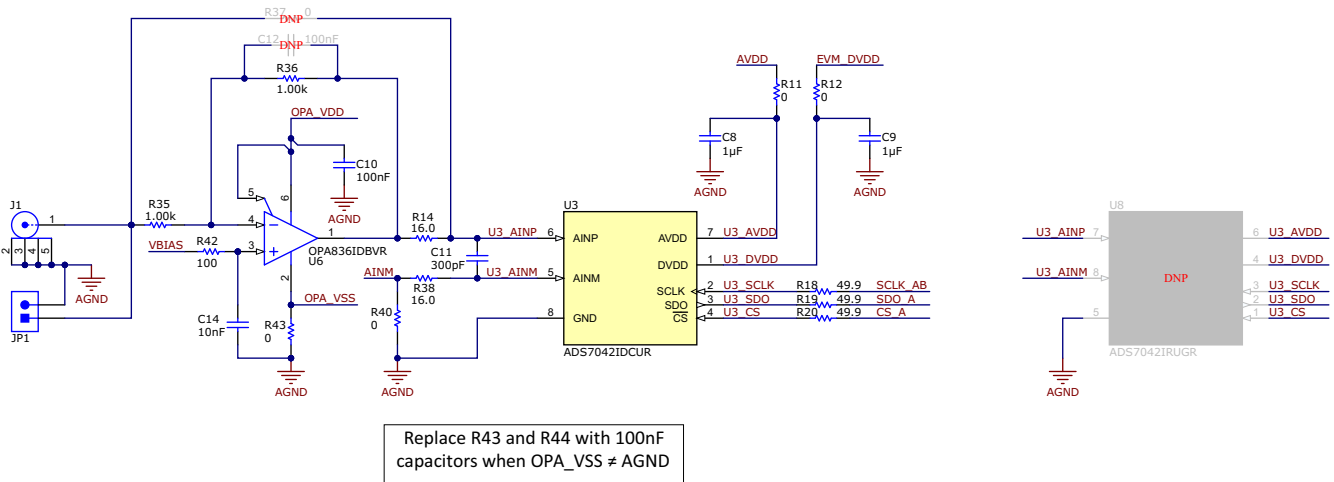
**Figure 2-1. Important Subsections of the ADS704X-5XEVM**

### 2.1 Analog Inputs

As shown in [Figure 2-1](#), the ADS704X-5XEVM has two analog input paths: a single-ended input path highlighted in red, and a differential input path highlighted in green. SMA connectors and headers are included on each path to connect external signals. These signals feed into a driver amplifier and then to one of two ADC footprints, where the digital output is supplied to the PHI via J4.

#### 2.1.1 Single-Ended Input Path

The single-ended input path consists of an inverting driver amplifier, an RC circuit, and two ADC footprints. [Figure 2-2](#) shows the single-ended input path schematic.



**Figure 2-2. Single-Ended Input Path on the ADS704X-5XEVM**

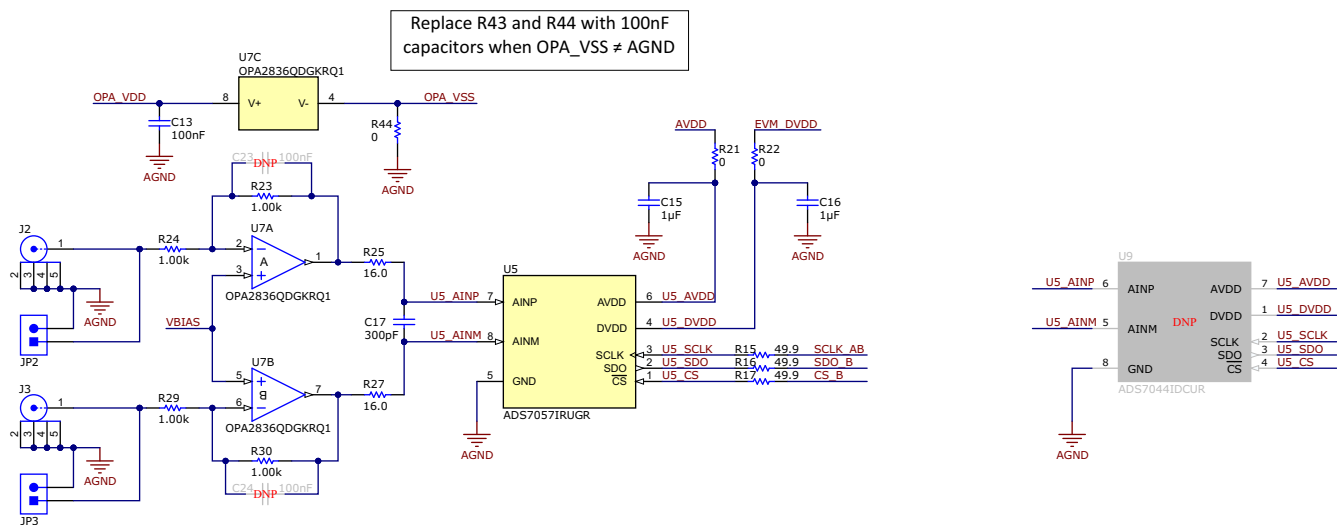
Signals connected to the single-ended input path are applied to an inverting amplifier whose common-mode voltage is set by VBIAS. The output of the amplifier connects to an RC filter (R14, R38, and C11) that then connects to the ADC input. A compensation capacitor can be added to the amplifier feedback loop via C12, but is not required for good performance. The amplifier power supplies are connected by default to the OPA\_VDD and OPA\_VSS supplies. [Section 2.2](#) explains how to modify the EVM to use external supplies. If desired, the amplifier can be bypassed by populating R37 with a 0-Ω resistor and removing R14 and R35.

[Figure 2-2](#) also depicts all connections to the ADC (U3). Each power-supply connection has a 1-μF decoupling capacitor. The supply connections also have a series 0-Ω resistor that can be removed for the purpose of making external current measurements. Moreover, each digital input has a 49.9-Ω series resistor. These resistors smooth the edges of the digital signals to minimize overshoot and ringing.

Finally, [Figure 2-2](#) identifies a do-not-populate (DNP) component in U8. This ADC footprint is on the bottom of the board and can be used to evaluate any single-ended ADC in an X2QFN package listed in [Table 1-2](#). However, ensure that any device in U3 is cleanly removed before soldering a device in U8. [Section 4.6](#) explains how to use the ADS704X-5XEVM GUI to update the EEPROM when the ADC is replaced.

### 2.1.2 Differential Input Path

The differential input path consists of a differential driver amplifier, an RC circuit, and two ADC footprints. [Figure 2-3](#) shows the differential input path schematic.



**Figure 2-3. Differential Input Path on the ADS704X-5XEVM**

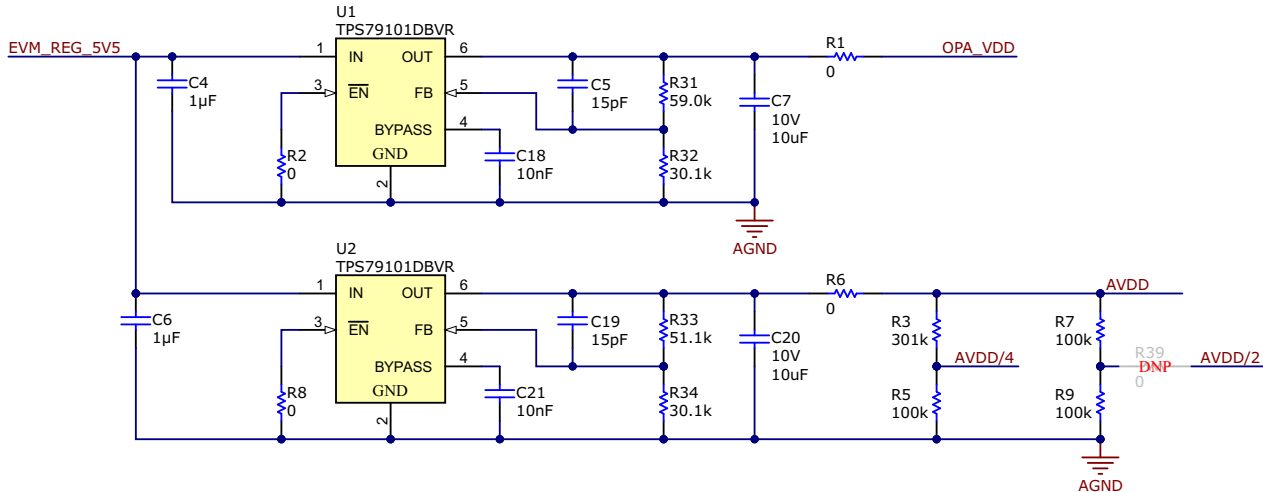
Signals connected to the differential input path are applied to a differential amplifier in an inverting configuration whose common-mode voltage is set by VBIAS. The output of the amplifier connects to an RC filter (R25, R27, and C17) that then connects to the ADC input. Each amplifier feedback loop has an option for a compensation capacitor via C23 or C24, but these capacitors are not required for good performance. The amplifier power supplies are connected by default to the OPA\_VDD and OPA\_VSS supplies. [Section 2.2](#) explains how to modify the EVM to use external supplies.

[Figure 2-3](#) also shows all connections to the ADC (U5). Each power-supply connection has a 1-μF decoupling capacitor. The supply connections also have a series 0-Ω resistor that can be removed for the purpose of making external current measurements. Moreover, each digital input has a 49.9-Ω series resistor. These resistors smooth the edges of the digital signals to minimize overshoot and ringing.

Finally, [Figure 2-3](#) identifies a do-not-populate (DNP) component in U9. This ADC footprint is on the bottom of the board and can be used to evaluate any differential ADC in a VSSOP package in [Table 1-2](#). However, ensure that any device in U5 is cleanly removed before soldering a device in U9. [Section 4.6](#) explains how to use the ADS704X-5XEVM GUI to update the EEPROM when the ADC is replaced.

## 2.2 Power Supplies

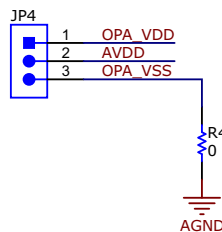
The default state of the EVM has all power supplies derived from the USB power and delivered by the PHI controller. The 3.3-V ADC digital supply voltage (DVDD) is provided by the PHI via pin 50 on J4 (see [Figure 2-7](#)). The PHI also provides a regulated 5.5-V power rail that feeds into two LDOs on the EVM. These LDOs generate a low-noise, 3.6-V (nominal) supply voltage for the amplifier (OPA\_VDD) and a low-noise, 3.3-V (nominal) analog supply voltage for the ADC (AVDD). [Figure 2-4](#) shows the two LDO circuits used on the ADS704X-5XEVM.



**Figure 2-4. Power Tree on the ADS704X-5XEVM**

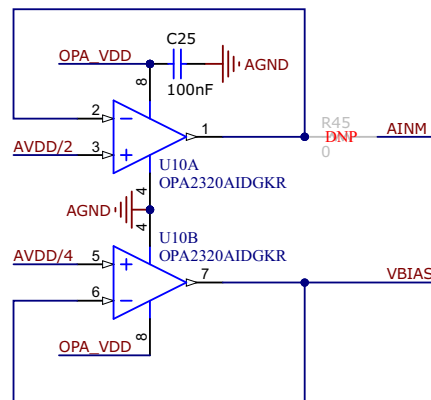
In [Figure 2-4](#), the top LDO (U1) has an adjustable output set by resistors R31 and R32 while the bottom LDO (U2) has an adjustable output set by resistors R33 and R34. Modify these resistor values if a different OPA\_VDD or AVDD voltage is desired. Ensure that the input, absolute, and common-mode voltage limitations for all components are within data sheet limits when modifying the power supplies. See the LDO data sheet for more information on how to choose resistor values for a specific output voltage.

If external power supplies are desired, remove resistors R1 and R6 in [Figure 2-4](#) to disconnect both LDOs from the power-supply circuit. Connector JP4 in [Figure 2-5](#) can then be used to provide direct power to OPA\_VDD, AVDD, and OPA\_VSS.



**Figure 2-5. External Power-Supply Header on the ADS704X-5XEVM**

If OPA\_VSS is connected to any voltage other than AGND, remove R4 in [Figure 2-5](#) and replace R43 and R44 per the instructions in [Figure 2-2](#). Another important consideration if OPA\_VSS is modified is that the V<sub>-</sub> input (pin 4) on the buffer amplifier in [Figure 2-6](#) is hard-wired to AGND and is therefore unaffected when the voltage on OPA\_VSS is changed.



**Figure 2-6. Buffer Amplifier Circuit on the ADS704X-5XEVM**

The buffer amplifier in [Figure 2-6](#) prevents the AVDD/4 resistor divider (R3 and R5) from loading the amplifier inputs and the AVDD/2 resistor divider (R7 and R9) from loading the ADC inputs (see [Figure 2-4](#)). As per [Section 2.1.1](#), VBIAS sets the driver amplifier common-mode voltage for both signal paths. AINM is only required if U3 or U5 in [Figure 2-2](#) is populated with the ADS7043. This specific ADC has a pseudo-differential input that requires the AINM pin to be set to  $AVDD / 2 \pm 100$  mV.

When the ADS7043 is used on the ADS704X-5XEVM:

- Populate R39 in [Figure 2-4](#) with a 0- $\Omega$  resistor
- Populate R45 in [Figure 2-6](#) with a 0- $\Omega$  resistor
- Depopulate R40 in [Figure 2-2](#)

### 2.3 Digital Interface and Communication

The EVM interfaces with the PHI and communicates with the computer over the USB. There are three devices on the EVM with which the PHI communicates: the two ADCs (over SPI) and the EEPROM (over I<sup>2</sup>C). The EEPROM comes preprogrammed with the information required to configure and initialize each ADC populated by default on the ADS704X-5XEVM. Therefore, communication with the EEPROM is only required if the user removes and replaces one of the default ADCs. See [Section 2.4](#) for more information.

All ADCs supported by the ADS704X-5XEVM use SPI serial communication in mode 1 (CPOL = 0, CPHA = 1). The ADS704X-5XEVM offers 49.9- $\Omega$  resistors between the SPI signals to aid with signal integrity (see [Figure 2-2](#)) because the serial clock (SCLK) frequency can be as fast as 60 MHz. Typically, in high-speed SPI communication, fast signal edges can cause overshoot; these 49.9- $\Omega$  resistors slow down the signal edges to minimize signal overshoot. JP5 provides test points to measure the digital signals, as illustrated in [Figure 2-7](#).



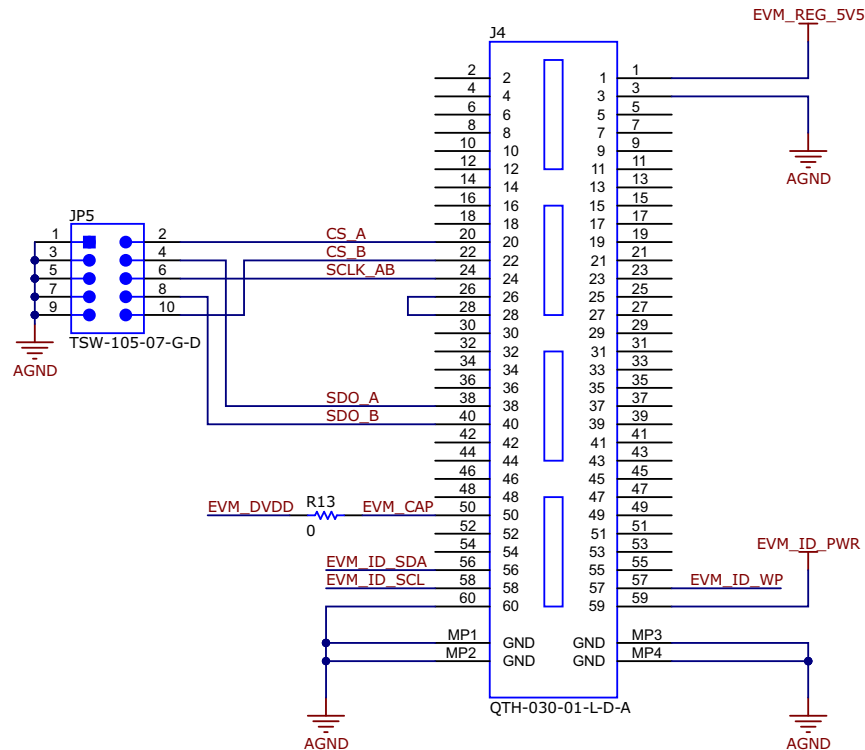


Figure 2-7. Digital Communication and PHI Connector on the ADS704X-5XEVM

## 2.4 I<sup>2</sup>C Bus for Onboard EEPROM

The circuit shown in Figure 2-8 is used with the PHI board to identify the specific ADCs populated on the EVM and enable the correct GUI settings. The user does not need to modify or interact with this circuit during EVM operation. As a result, switch S1 is set by default to enable the EEPROM write protect and must not be altered unless the ADC is modified as per Section 2.1.1 or Section 2.1.2. Update the EEPROM when the ADC is replaced using the ADS704X-5XEVM GUI, as per Section 4.6.

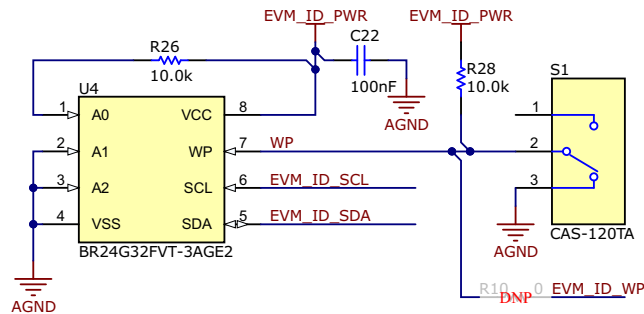


Figure 2-8. EEPROM Circuit on the ADS704X-5XEVM

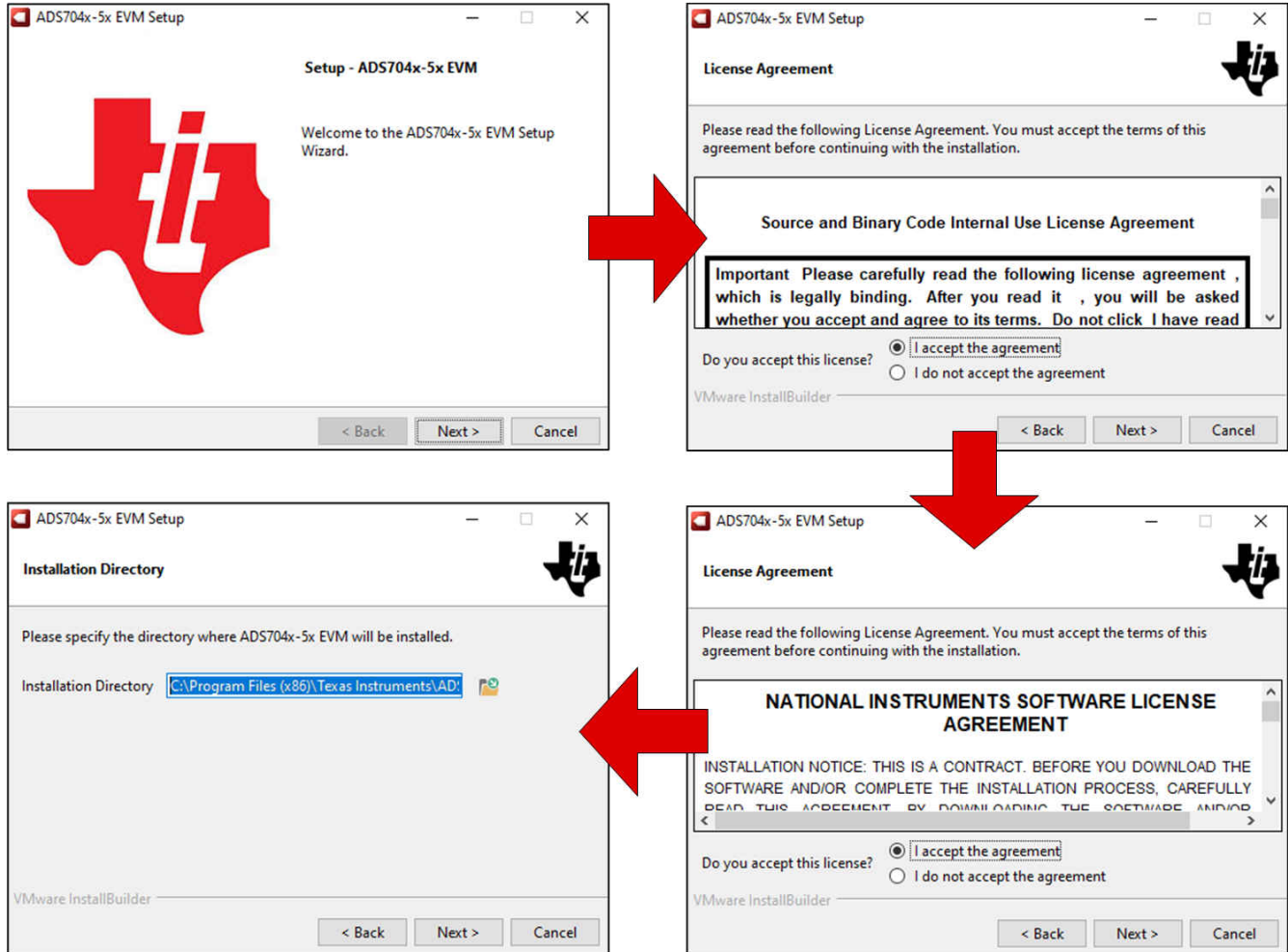
### 3 ADS704X-5XEVM Software Installation

Download the latest version of the EVM GUI installer from the *Order & Start Development* section of the [ADS7042EVM-PDK](#), [ADS7049-Q1EVM-PDK](#), or [ADS7057EVM-PDK](#) tool folder. Run the GUI installer to install the EVM GUI software on your computer.

**Note**

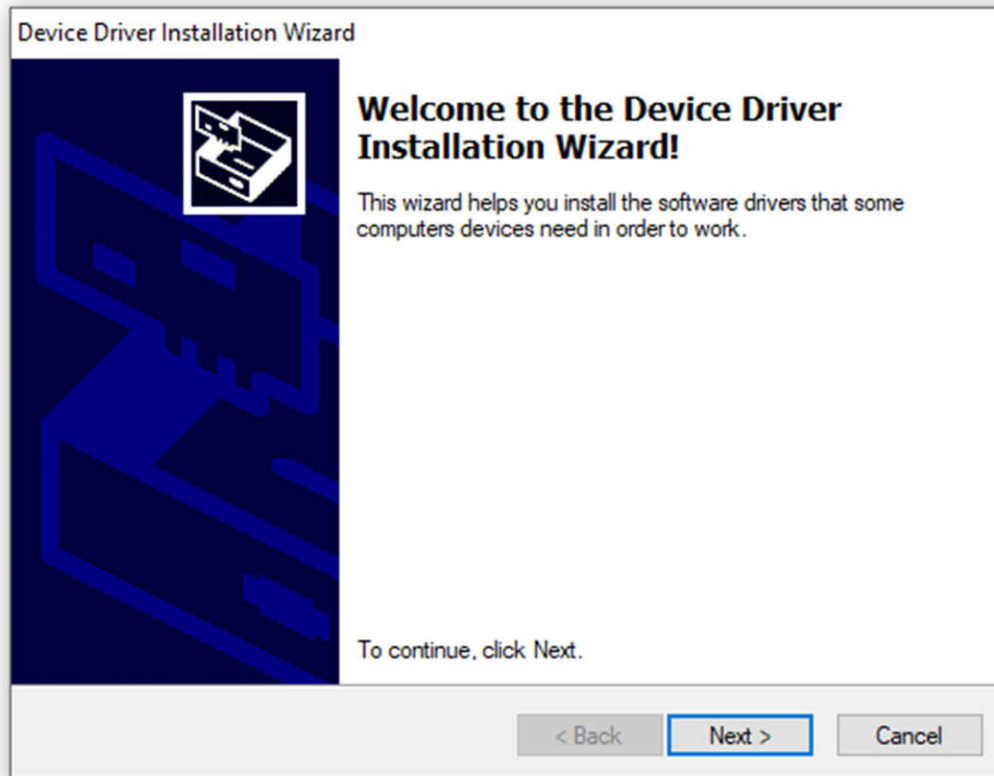
Manually disable any antivirus software running on the computer before downloading the EVM GUI installer onto the local hard disk. Depending on the antivirus settings, an error message may appear or the *installer.exe* file may be deleted.

As shown in [Figure 3-1](#), accept the license agreements and follow the on-screen instructions to complete the installation.



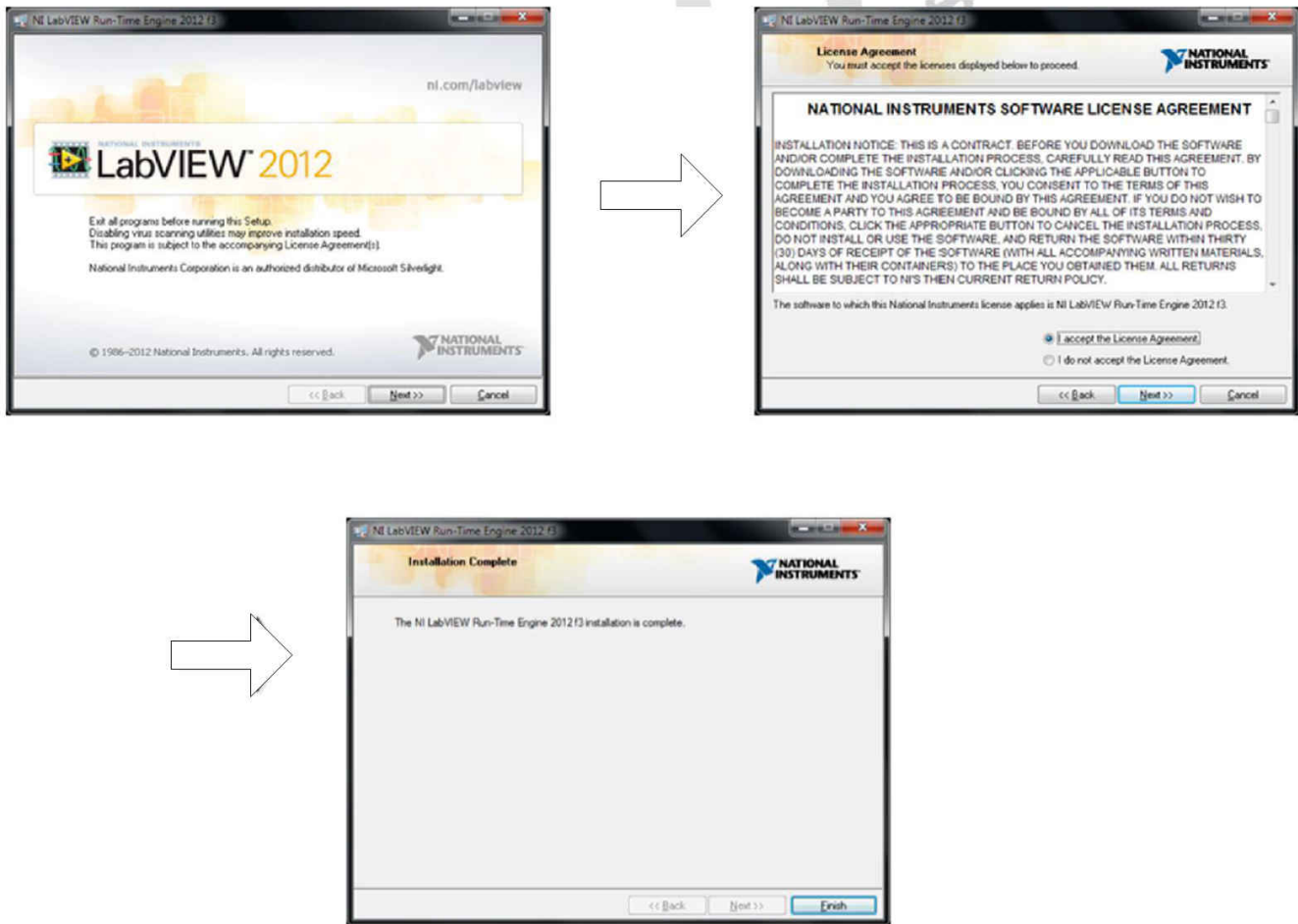
**Figure 3-1. Software Installation and Prompts**

As part of the ADS704X-5XEVM GUI installation, a prompt with a *Device Driver Installation* appears on the screen, as shown in [Figure 3-2](#). Click *Next* to proceed.



**Figure 3-2. Device Driver Installation**

The ADS704X-5XEVM requires the LabVIEW™ run-time engine and may prompt for the installation of this software, as shown in Figure 3-3, if not already installed.



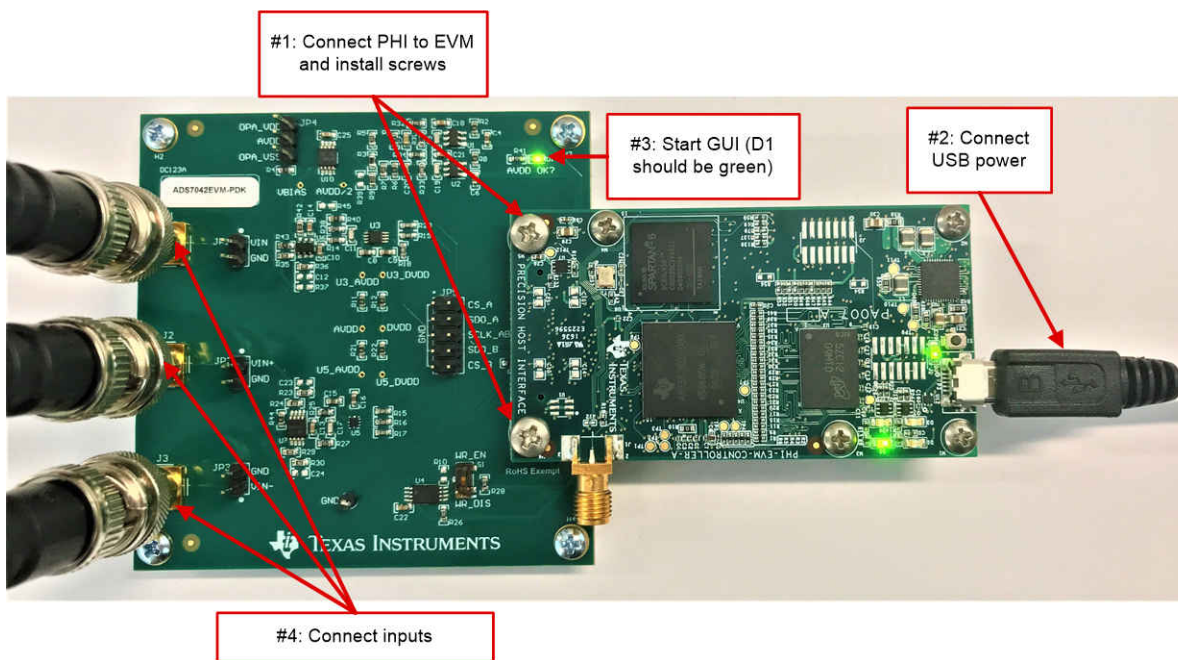
**Figure 3-3. LabVIEW™ Run-Time Engine Installation**

## 4 EVM Operation

### 4.1 Connecting the Hardware

After installing the software, connect the EVM as shown in [Figure 4-1](#):

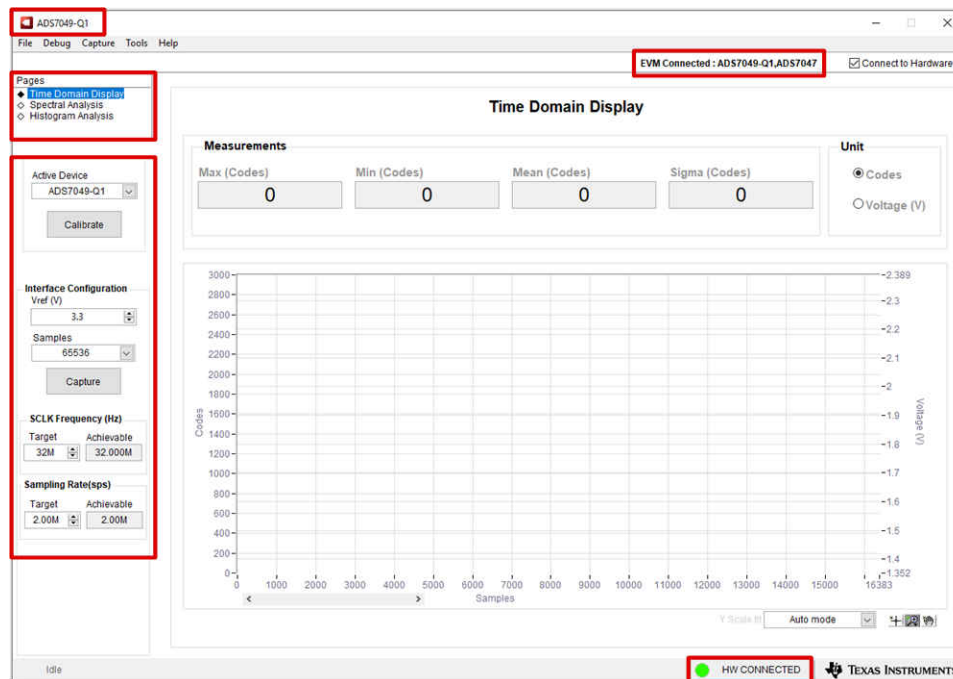
1. Physically connect P2 of the PHI to J4 of the ADS704X-5XEVM. Install the screws to ensure a robust connection
2. Connect the USB cable from the PHI to the computer first:
  - a. LED D5 on the PHI lights up, indicating that the PHI is powered
  - b. LEDs D1 and D2 on the PHI start blinking to indicate that the PHI is booted up and communicating with the PC; [Figure 4-1](#) shows the resulting LED indicators
3. Start the software GUI. The LEDs blink slowly as the FPGA firmware is loaded on the PHI. This loading takes a few seconds and then the AVDD and DVDD power supplies turn on. LED D1 on the ADS704X-5XEVM (as shown in [Figure 4-1](#)) illuminates green to indicate that AVDD is being supplied to the EVM
4. Connect the signal generator. The input range varies for the different ADCs, but is typically 0 V to AVDD for single-ended devices or  $-AVDD$  to  $+AVDD$  for differential devices. Check the specific [ADC data sheet](#) for more information about allowable input ranges. In any case, adjust the input signal to just below full-scale range to avoid clipping
  - a. Texas Instruments offers the [PSIEVM](#) as a precision signal generator if such a source is otherwise unavailable to the user. The PSIEVM can be used to generate clean sinusoidal input signals for the ADS704X-5XEVM to verify AC performance specifications.



**Figure 4-1. Hardware Connections on the ADS704X-5XEVM**

## 4.2 EVM GUI Global Settings for ADC Control

Figure 4-2 shows the default screen when the GUI is started. The GUI defaults to the *Time Domain Display*, though other options are available in the *Pages* control box. When the GUI connects successfully, *HW Connected* shows in green in the bottom ribbon and the specific devices included on the EVM are identified in the upper right. In this case, ADS7049-Q1 and ADS7047 are included on the EVM represented by Figure 4-2.



**Figure 4-2. ADS704X-5XEVM GUI Overview**

The EVM global controls are located on the left-hand side of the GUI and are as follows:

- *Active Device* (also shown in the upper left corner of the GUI)
- *VREF* (only valid if AVDD is modified from the default value as per [Section 2.2](#), otherwise leave this value set to 3.3 V)
- *Samples*
- *SCLK Frequency*
- *Sampling Rate*

### 4.3 Time Domain Display

The *Time Domain Display* tool visualizes the ADC response to a given input signal. This tool is useful for both studying the behavior of and debugging any gross problems with the ADC or drive circuits, such as waveform clipping.

Trigger a data capture of the selected number of samples by using the *Capture* button highlighted in [Figure 4-3](#). The GUI plots a waveform based on the input signal. The waveform is plotted by *Samples* on the x-axis against *Codes* and *Voltage* on the left and right y-axes, respectively. *Voltage* is relative to the specified reference voltage, which for all devices in [Table 1-2](#) is just the AVDD voltage. Switching *Pages* to any of the analysis tools described in the subsequent sections causes calculations to be performed on the same set of data.

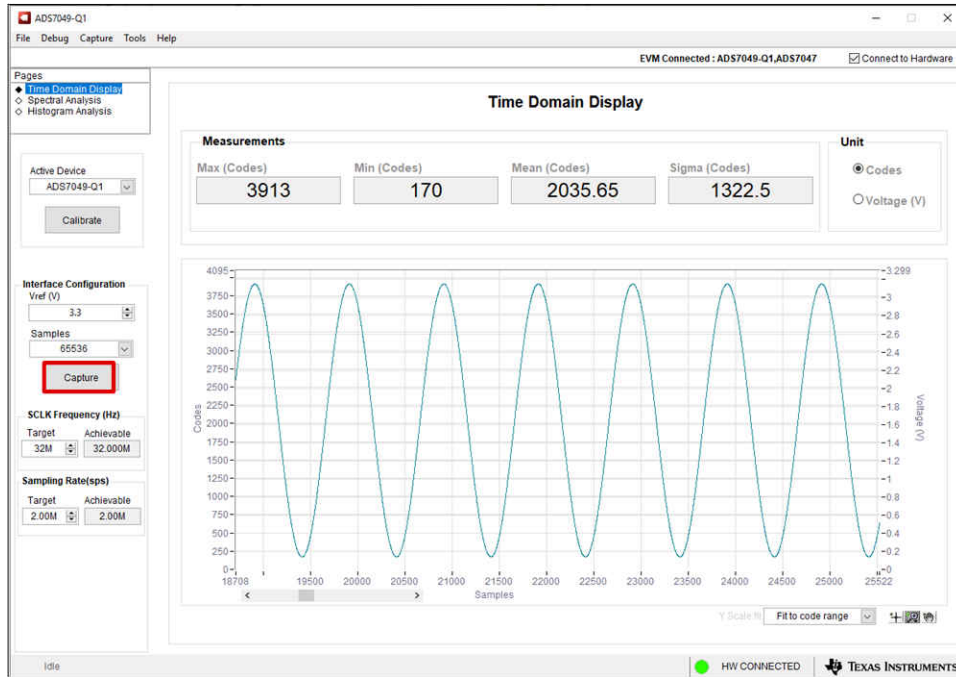
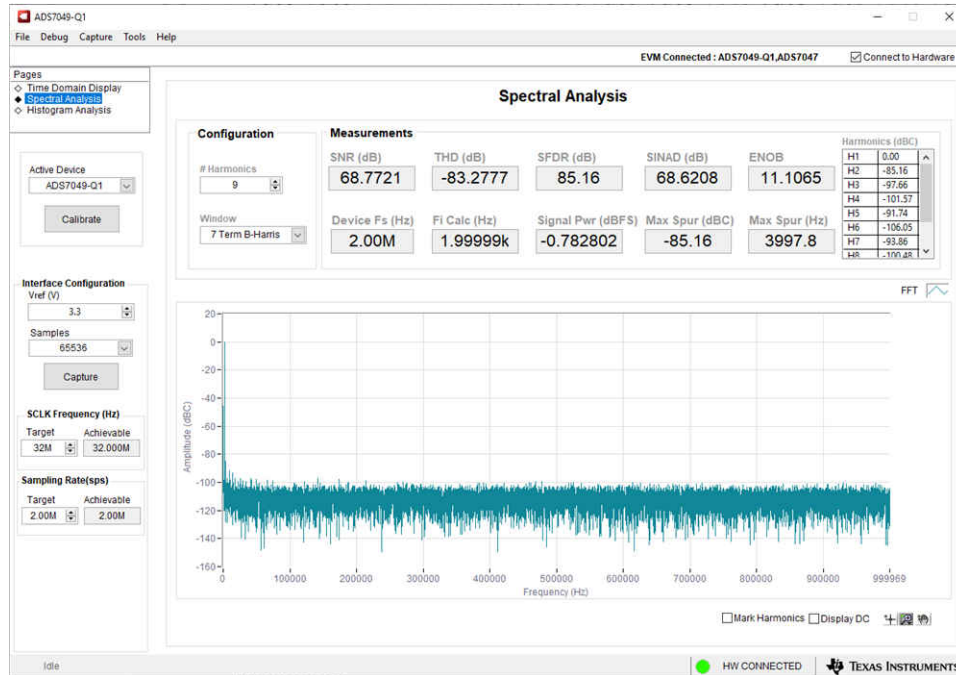


Figure 4-3. Time Domain Display in the ADS704X-5XEVM GUI

## 4.4 Spectral Analysis

The *Spectral Analysis* tool shown in [Figure 4-4](#) is intended to evaluate the dynamic performance (SNR, THD, SFDR, SINAD, and ENOB) of the ADC through single-tone sinusoidal signal FFT analysis using the 7-term Blackman-Harris window setting. The FFT tool includes windowing options that are required to mitigate the effects of non-coherent sampling (this discussion is beyond the scope of this document). The 7-Term Blackman-Harris window is the default option and has sufficient dynamic range to resolve the frequency components of all ADCs included in [Table 1-2](#). The *None* option corresponds to not using a window (or using a rectangular window) and is not recommended.



**Figure 4-4. Spectral Analysis in the ADS704X-5XEVM GUI**

As noted in step 4.a in [Section 4.1](#), Texas Instruments offers the [PSIEVM](#) as a precision signal generator if such a source is otherwise unavailable to the user. The PSIEVM can be used to generate clean sinusoidal input signals for the ADS704X-5XEVM to verify AC performance specifications.



## 4.5 Histogram Analysis

Noise degrades ADC resolution and the *Histogram Analysis* tool can be used to visualize the ADC noise performance. Noise couples to the ADC output from sources such as the input drive circuits, the ADC power supply, and the ADC itself. The cumulative effect of this noise is reflected in the standard deviation of the ADC output code histogram obtained by performing multiple conversions of a DC input. As shown in [Figure 4-5](#), click the *Capture* button to display a histogram corresponding to a DC input.

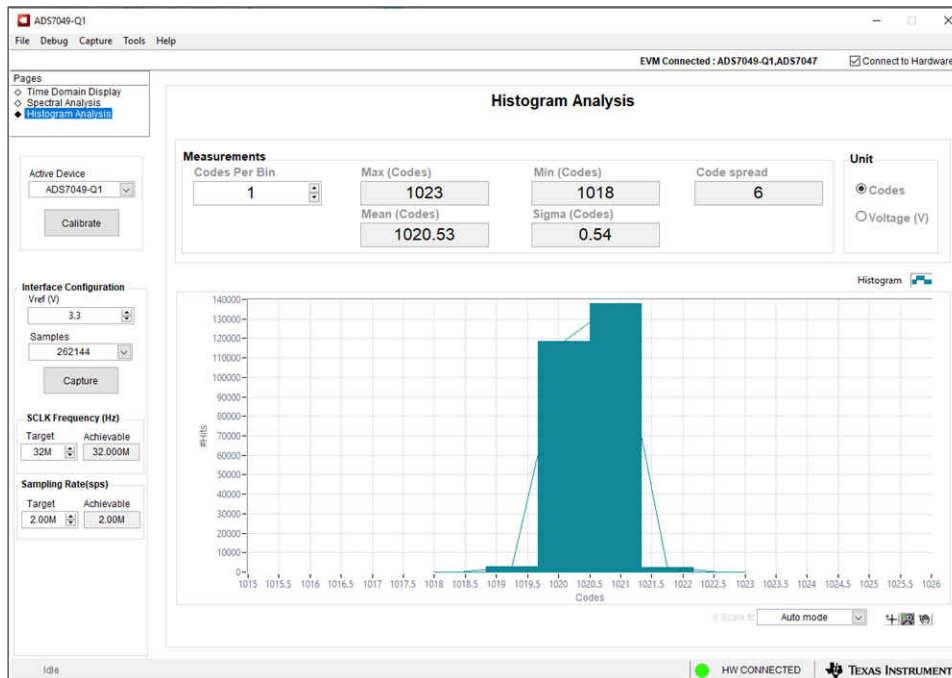


Figure 4-5. Histogram Analysis in the ADS704X-5XEVM GUI

## 4.6 Updating EEPROM After ADC Replacement

As discussed in [Section 1](#), the ADS704X-5XEVM can support operation of the 14 different ADCs shown in [Table 1-2](#). See [Section 2.1.1](#) for information about the required hardware modifications for replacing a single-ended input ADC and [Section 2.1.2](#) for information about the required hardware modifications for replacing a differential input ADC.

When the hardware modifications are complete, update the EEPROM so the GUI reflects the newly installed devices on the EVM. Follow these steps to update the EEPROM from the ADS704X-5XEVM GUI:

1. Set switch S1 to write enable by pushing the switch closest to the *WR\_EN* silkscreen text (see [Figure 2-1](#))
2. Navigate to *Tools* → *Load EEPROM* in the menu at the top left of the GUI
3. In the pop-up window illustrated in [Figure 4-6](#), select the appropriate device for both ADC A (U3 or U8) and ADC B (U5 or U9)
  - a. ADC A corresponds to the single-ended input path and ADC B corresponds to the differential input path
4. Click the *Load EEPROM* button in the pop-up window
5. Verify the EEPROM loaded correctly by reviewing the ADC name in the upper left corner of the GUI, the supported devices in the upper right of the GUI, and the *Active Device* drop-down menu (see [Figure 4-7](#))
  - a. In this example, ADC A was changed from ADS7049-Q1 to ADS7040 and ADC B was changed from ADS7047 to ADS7044
6. Set switch S1 to write disable by pushing the switch closest to the *WR\_DIS* silkscreen text (see [Figure 2-1](#))

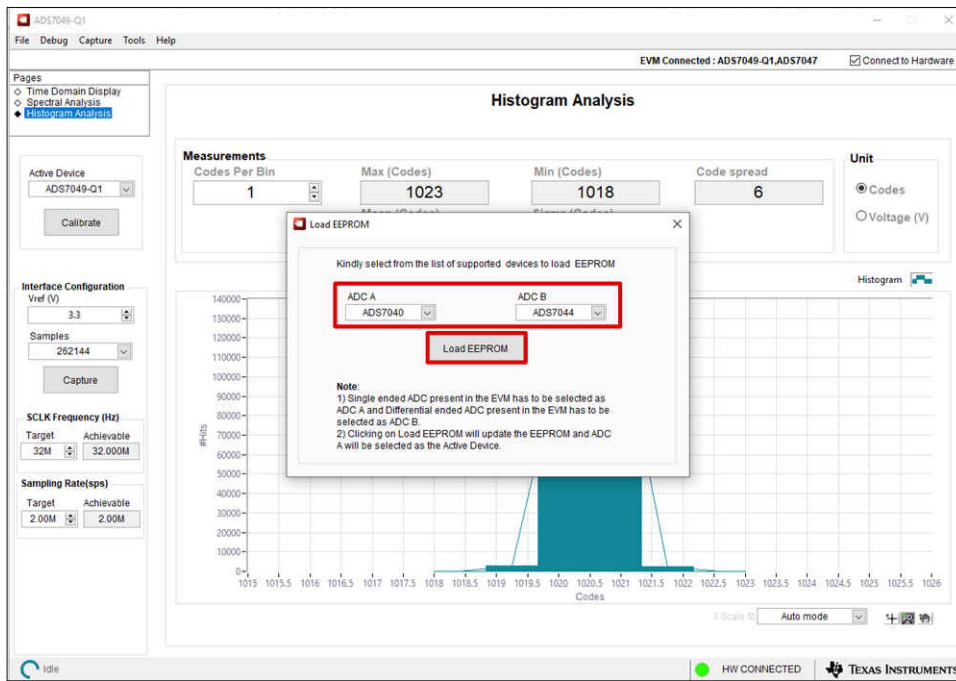


Figure 4-6. Selecting the ADCs and Loading the EEPROM

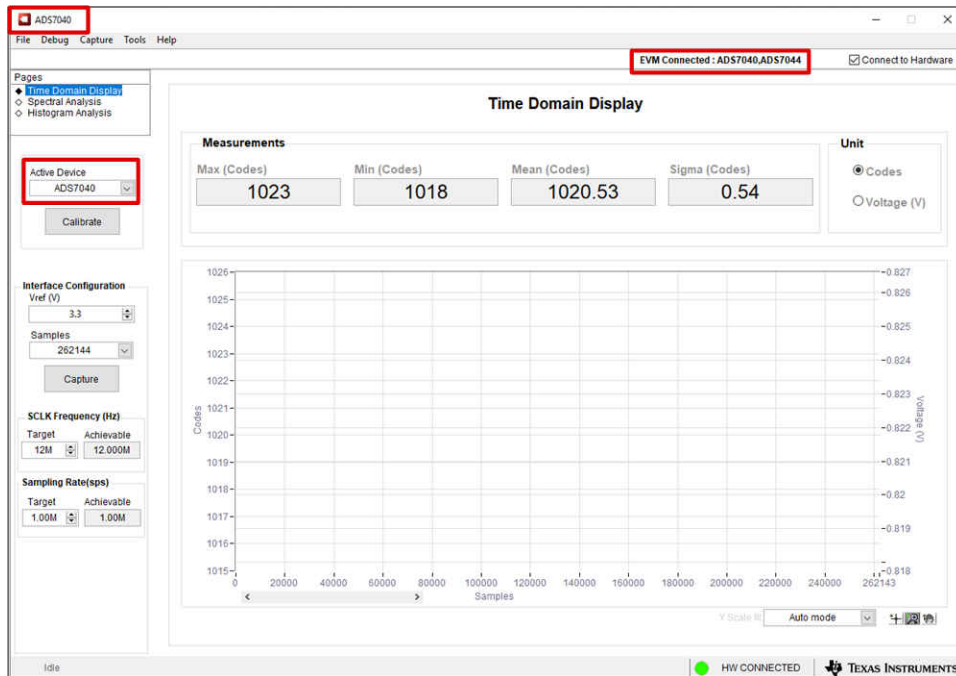


Figure 4-7. GUI Main Screen After EEPROM is Updated Successfully

## 5 Bill of Materials, Layout, and Schematic

This section contains the ADS704X-5XEVM bill of materials, PCB layout, and the EVM schematic.

### 5.1 Bill of Materials

Table 5-1 lists the bill of materials (BOM) for the ADS704X-5XEVM.

**Table 5-1. Bill of Materials**

| Designator  | QTY | Value  | Description                                    | Package Reference                              | Part Number            | Manufacturer           |
|---|-----|--------|--|--|------------------------|------------------------|
| !PCB  | 1   |        | Printed Circuit Board                          |  | DC123                  | Any                    |
| !PCB2   | 1   |        | PHI-EVM-CONTROLLER                             | N/A  | PA007A                 | Any                    |
| @H1, @H2,<br>@H3, @H4   | 4   |        | Hex Standoff, #4-40, Aluminum, 1/4"            | 1/4 inch<br>Aluminum Hex<br>Standoff           | 1891                   | Keystone               |
| @H5, @H6  | 2   |        | Machine Screw Pan PHILLIPS M3                  |  | RM3X4MM<br>2701        | APM HEXSEAL            |
| C1, C2, C3,<br>C7, C20  | 5   | 10uF   | CAP, CERM, 10 uF, 10 V, +/- 20%, X5R, 0603     | 0603   | GRM188R61A1<br>06ME69D | MuRata                 |
| C4, C6, C8,<br>C9, C15,<br>C16  | 6   | 1uF    | CAP, CERM, 1 uF, 25 V, +/- 10%, X7R, 0603      | 0603   | C0603C105K3R<br>ACTU   | Kemet                  |
| C5, C19   | 2   | 15pF   | CAP, CERM, 15 pF, 50 V, +/- 5%, C0G/NP0, 0603  | 0603   | C0603C150J5G<br>ACTU   | Kemet                  |
| C10, C13,<br>C22, C25   | 4   | 0.1uF  | CAP, CERM, 0.1 uF, 25 V, +/- 5%, X7R, 0603     | 0603   | C0603C104J3R<br>ACTU   | Kemet                  |
| C11, C17  | 2   | 300pF  | CAP, CERM, 300 pF, 50 V, +/- 5%, C0G/NP0, 0603 | 0603   | GRM1885C1H3<br>01JA01D | MuRata                 |
| C14, C18,<br>C21  | 3   | 0.01uF | CAP, CERM, 0.01 uF, 50 V, +/- 5%, X7R, 0603    | 0603   | C0603C103J5R<br>ACTU   | Kemet                  |
| D1  | 1   | Green  | LED, Green, SMD                                | 1.6x0.8x0.8mm                                  | LTST-C190GKT           | Lite-On                |
| H1, H2, H3,<br>H4   | 4   |        | MACHINE SCREW PAN PHILLIPS 4-40                | Machine Screw,<br>4-40, 1/4 inch               | PMSSS 440<br>0025 PH   | B&F Fastener<br>Supply |
| H5, H6  | 2   |        | ROUND STANDOFF M3 STEEL 5MM                    | ROUND<br>STANDOFF M3<br>STEEL 5MM              | 9774050360R            | Würth Elektronik       |
| J1, J2, J3  | 3   |        | SMA Straight Jack, Gold, 50 Ohm, TH            | SMA Straight<br>Jack, TH                       | 901-144-8RFX           | Amphenol RF            |
| J4  | 1   |        | Header(Shrouded), 19.7mil, 30x2, Gold, SMT     | Header<br>(Shrouded),<br>19.7mil, 30x2,<br>SMT | QTH-030-01-L-<br>D-A   | Samtec                 |
| JP1, JP2,<br>JP3  | 3   |        | Header, 100mil, 2x1, Gold, TH                  | Header, 2x1,<br>100mil                         | 5-146261-1             | TE Connectivity        |
| JP4   | 1   |        | Header, 100mil, 3x1, Gold, TH                  | 3x1 Header                                     | TSW-103-07-G-<br>S     | Samtec                 |
| JP5   | 1   |        | Header, 100mil, 5x2, Gold, TH                  | 5x2 Header                                     | TSW-105-07-G-<br>D     | Samtec                 |
| LBL1  | 1   |        |  | PCB Label<br>0.650 x 0.200<br>inch             | THT-14-423-10          | Brady                  |
| R1, R2, R4,<br>R6, R8,<br>R11, R12,<br>R13, R21,<br>R22, R40,<br>R43, R44 | 13  | 0      | RES, 0, 5%, 0.1 W, 0603                        | 0603   | RC0603JR-070<br>RL     | Yageo                  |
| R3  | 1   | 301k   | RES, 301 k, 0.1%, 0.1 W, 0603                  | 0603   | RT0603BRD073<br>01KL   | Yageo America          |

**Table 5-1. Bill of Materials (continued)**

| Designator                   | QTY | Value | Description  | Package Reference         | Part Number       | Manufacturer      |
|------------------------------|-----|-------|--|---------------------------|-------------------|-------------------|
| R5, R7, R9                   | 3   | 100k  | RES, 100 k, 0.1%, 0.063 W, 0603  | 0603                      | CPF0603B100KE     | TE Connectivity   |
| R14, R25, R27, R38           | 4   | 16.0  | RES, 16.0, 0.1%, 0.1 W, 0603   | 0603                      | RT0603BRD0716RL   | Yageo America     |
| R15, R16, R17, R18, R19, R20 | 6   | 49.9  | RES, 49.9, 1%, 0.1 W, 0603   | 0603                      | RC0603FR-0749R9L  | Yageo             |
| R23, R24, R29, R30, R35, R36 | 6   | 1.00k | RES, 1.00 k, 0.1%, 0.1 W, 0603   | 0603                      | RT0603BRB071KL    | Yageo America     |
| R26, R28                     | 2   | 10.0k | RES, 10.0 k, 1%, 0.1 W, 0603   | 0603                      | RC0603FR-0710KL   | Yageo             |
| R31                          | 1   | 59.0k | RES, 59.0 k, 1%, 0.1 W, 0603   | 0603                      | RC0603FR-0759KL   | Yageo             |
| R32, R34                     | 2   | 30.1k | RES, 30.1 k, 1%, 0.1 W, 0603   | 0603                      | RC0603FR-0730K1L  | Yageo             |
| R33                          | 1   | 51.1k | RES, 51.1 k, 1%, 0.1 W, 0603   | 0603                      | RC0603FR-0751K1L  | Yageo             |
| R41                          | 1   | 470   | RES, 470, 5%, 0.1 W, 0603  | 0603                      | RC0603JR-07470RL  | Yageo             |
| R42                          | 1   | 100   | RES, 100, 0.1%, 0.1 W, 0603  | 0603                      | RT0603BRD07100RL  | Yageo America     |
| S1                           | 1   |       | Switch, Slide, SPDT 100mA, SMT   | Switch, 5.4x2.5x2.5mm     | CAS-120TA         | Copal Electronics |
| TP1                          | 1   |       | Test Point, Miniature, Black, TH   | Black Miniature Testpoint | 5001              | Keystone          |
| U1, U2                       | 2   |       | Single Output High PSRR LDO, 100 mA, Adjustable 1.2 to 5.5 V Output, 2.7 to 5.5 V Input, 6-pin SOT-23 (DBV), -40 to 125 degC     | DBV0006A                  | TPS79101DBVR      | Texas Instruments |
| U3 <sup>1</sup>              | 1   |       | 12-Bit 1MSPS Ultra-Low-Power Ultra-Small-Size SAR ADC With SPI Interface (VSSOP-8)   | DCU0008A                  | ADS7042IDCUR      | Texas Instruments |
| U4                           | 1   |       | I2C BUS EEPROM (2-Wire), TSSOP-B8  | TSSOP-8                   | BR24G32FVT-3AGE2  | Rohm              |
| U5 <sup>2</sup>              | 1   |       | Ultra-Low Power, Ultra-Small Size, 14-Bit, High-Speed SAR ADC, RUG0008A (X2QFN-8)  | RUG0008A                  | ADS7057IRUGR      | Texas Instruments |
| U6                           | 1   |       | Very Low Power, Rail to Rail Out, Negative Rail In, VFB Operational Amplifier, 2.5 to 5.5 V, -40 to 125 degC, 6-pin SOT23 (DBV6) | DBV0006A                  | OPA836IDBVR       | Texas Instruments |
| U7                           | 1   |       | Automotive, Dual, Very Low Power, Rail to Rail output, VFB Op Amp, DGK0008A (VSSOP-8)  | DGK0008A                  | OPA2836QDGK RQ1   | Texas Instruments |
| U10                          | 1   |       | Precision, Zero-Crossover, 20MHz, 0.9pA Ib, RRIO, CMOS Operational Amplifier (VSSOP-8)   | DGK0008A                  | OPA2320AIDGKR     | Texas Instruments |
| C12, C23, C24                | 0   | 0.1uF | CAP, CERM, 0.1 uF, 25 V, +/- 5%, X7R, 0603   | 0603                      | C0603C104J3R ACTU | Kemet             |
| R10, R37, R39, R45           | 0   | 0     | RES, 0, 5%, 0.1 W, 0603  | 0603                      | RC0603JR-070RL    | Yageo             |
| U8                           | 0   |       | 12-Bit, 1-MSPS, Ultra-Low-Power & Ultra-Small-Size SAR ADC with SPI Interface (X2QFN-8)  | RUG0008A                  | ADS7042IRUGR      | Texas Instruments |
| U9                           | 0   |       | Ultra-Low Power, Ultra-Small Size, 12-Bit, 1-MSPS, SAR ADC   | VSSOP8                    | ADS7044IDCUR      | Texas Instruments |

1. ADS7049QDCURQ1 on the ADS7049-Q1EVM-PDK.
2. ADS7047IRUGR on the ADS7049-Q1EVM-PDK.

## 5.2 Layout

Figure 5-1 through Figure 5-7 show the layout for the ADS704X-5XEVM.

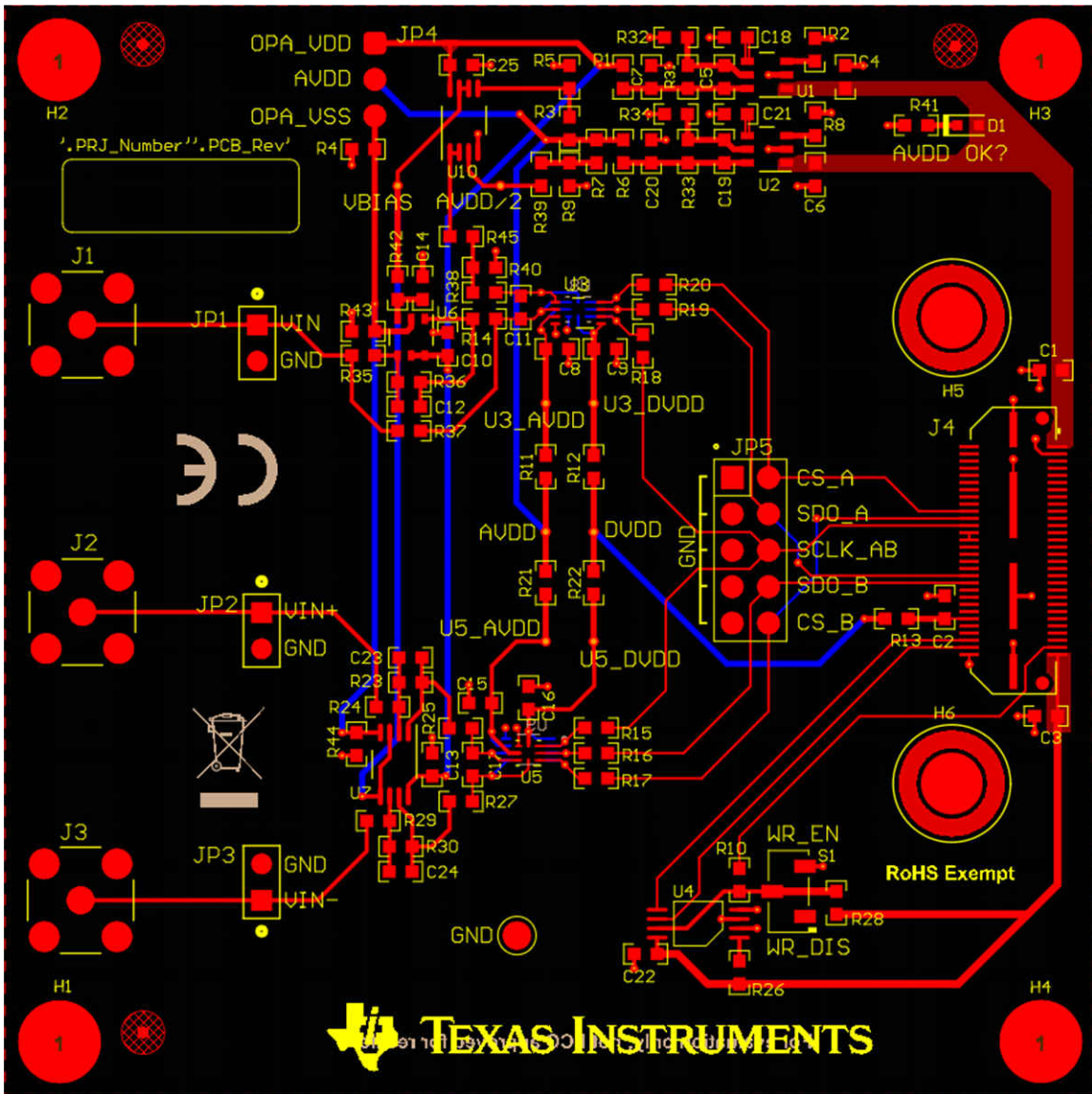
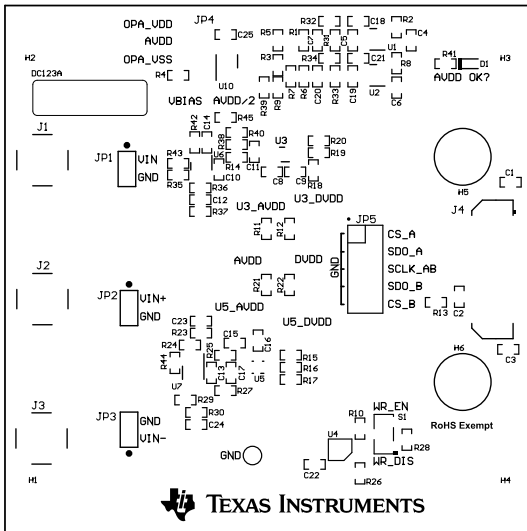
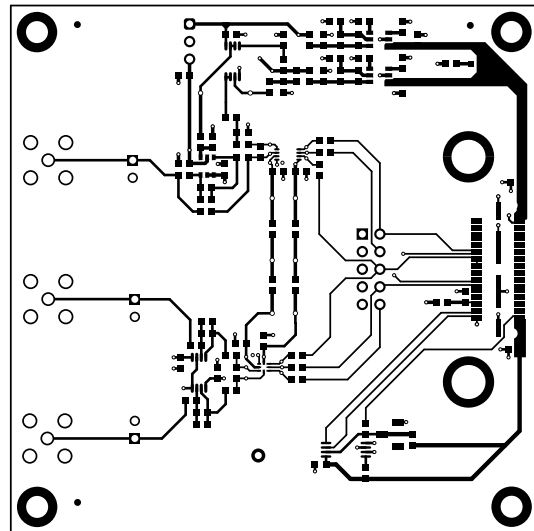


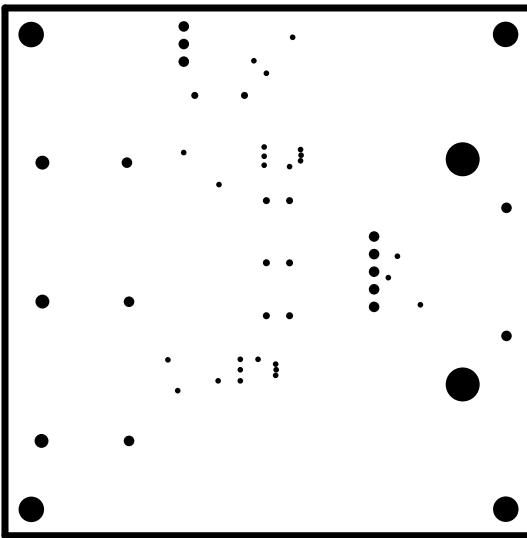
Figure 5-1. Composite PCB Layout



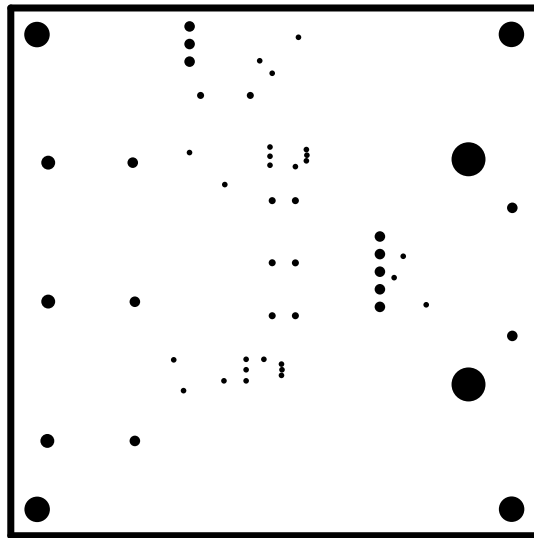
**Figure 5-2. Top Overlay**



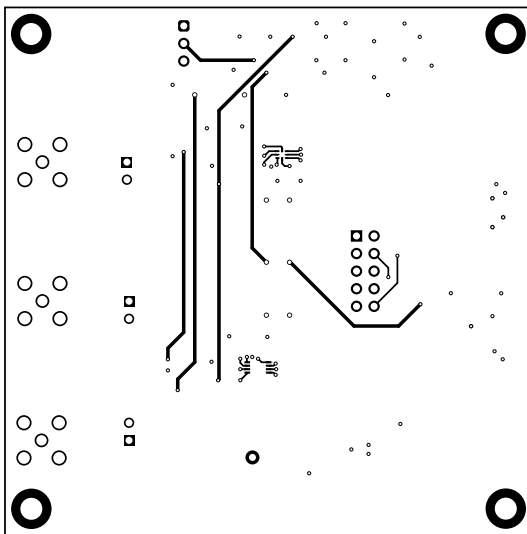
**Figure 5-3. Top Layer**



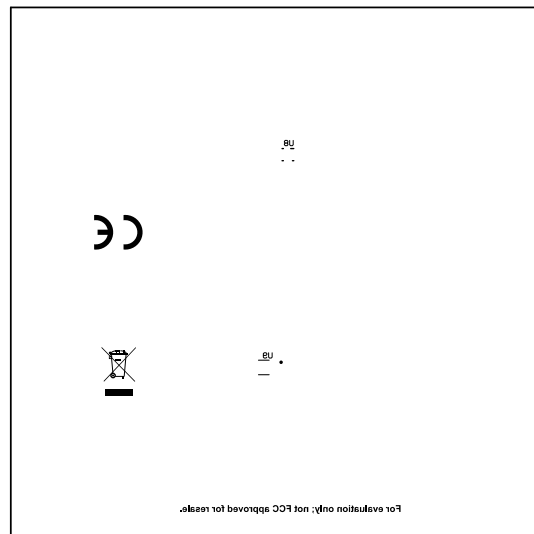
**Figure 5-4. Inner Ground Plane 1**



**Figure 5-5. Inner Ground Plane 2**



**Figure 5-6. Bottom Layer**



**Figure 5-7. Bottom Overlay**

### 5.3 Schematic

Figure 5-8 shows the schematic for the ADS704X-5XEVM.

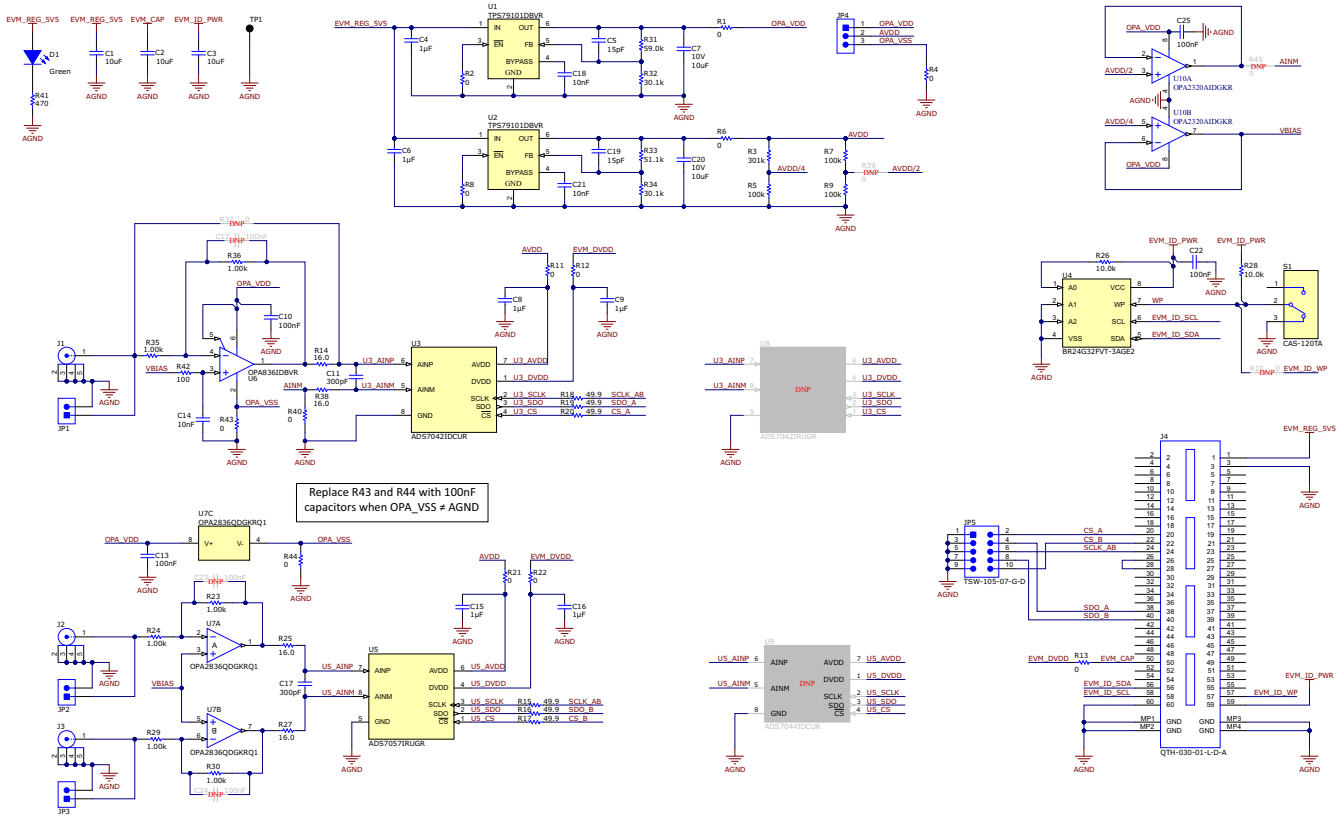


Figure 5-8. ADS704X-5XEVM Schematic

## 6 Revision History

NOTE: Page numbers for previous revisions may differ from page numbers in the current version.

### Changes from Revision \* (November 2021) to Revision A (January 2022)

**Page**

- 
- Changed first paragraph of *ADS704X-5XEVM Software Installation* section..... [10](#)
-



## IMPORTANT NOTICE AND DISCLAIMER

TI PROVIDES TECHNICAL AND RELIABILITY DATA (INCLUDING DATASHEETS), DESIGN RESOURCES (INCLUDING REFERENCE DESIGNS), APPLICATION OR OTHER DESIGN ADVICE, WEB TOOLS, SAFETY INFORMATION, AND OTHER RESOURCES "AS IS" AND WITH ALL FAULTS, AND DISCLAIMS ALL WARRANTIES, EXPRESS AND IMPLIED, INCLUDING WITHOUT LIMITATION ANY IMPLIED WARRANTIES OF MERCHANTABILITY, FITNESS FOR A PARTICULAR PURPOSE OR NON-INFRINGEMENT OF THIRD PARTY INTELLECTUAL PROPERTY RIGHTS.

These resources are intended for skilled developers designing with TI products. You are solely responsible for (1) selecting the appropriate TI products for your application, (2) designing, validating and testing your application, and (3) ensuring your application meets applicable standards, and any other safety, security, regulatory or other requirements.

These resources are subject to change without notice. TI grants you permission to use these resources only for development of an application that uses the TI products described in the resource. Other reproduction and display of these resources is prohibited. No license is granted to any other TI intellectual property right or to any third party intellectual property right. TI disclaims responsibility for, and you fully indemnify TI and its representatives against any claims, damages, costs, losses, and liabilities arising out of your use of these resources.

TI's products are provided subject to [TI's Terms of Sale](#), [TI's General Quality Guidelines](#), or other applicable terms available either on [ti.com](http://ti.com) or provided in conjunction with such TI products. TI's provision of these resources does not expand or otherwise alter TI's applicable warranties or warranty disclaimers for TI products. Unless TI explicitly designates a product as custom or customer-specified, TI products are standard, catalog, general purpose devices.

TI objects to and rejects any additional or different terms you may propose.

Copyright © 2026, Texas Instruments Incorporated

Last updated 10/2025