

TPS6302x High Efficiency Single Inductor Buck-boost Converter with 4-A Switches

1 Features

- Input voltage range: 1.8 V to 5.5 V
- Adjustable output voltage: 1.2 V to 5.5 V
- Output current for $V_{IN} > 2.5 V$, $V_{OUT} = 3.3 V$: 2 A
- High efficiency over the entire load range
 - Operating quiescent current: 25 μA
 - Power save mode with mode selection
- Average current mode buck-boost architecture
 - Automatic transition between modes
 - Fixed frequency operation at 2.4 MHz
 - Synchronization possible
- Power good output
- Safety and robust operation features
 - Overtemperature, overvoltage protection
 - Load disconnect during shutdown
- Create a custom design using the
 - TPS63020 with [WEBENCH Power Designer](#)
 - TPS63021 with [WEBENCH Power Designer](#)

2 Applications

- Pre-regulation in battery-powered devices: [EPOS \(portable data terminal, barcode scanner\)](#), [e-cigarette](#), [single board computer](#), [IP network camera](#), [video doorbell](#), [land mobile radios](#)
- Voltage stabilizer: [wired communication](#), [wireless communication](#), [PLC](#), [optical module](#)
- Backup supercapacitor supply: [electricity meter](#), [solid state drive \(SSD\) - enterprise](#)

3 Description

The TPS6302x devices provide a power supply solution for products powered by either a two-cell or three-cell alkaline, NiCd or NiMH battery, a one-cell Li-ion or Li-polymer battery, supercapacitors or other supply rails. Output currents up to 3 A are supported. When using batteries, they can be discharged down to below 2 V. The buck-boost converter is based on a fixed frequency, pulse width modulation (PWM) controller using synchronous rectification to obtain maximum efficiency. At low load currents, the converter enters power save mode to maintain high efficiency over a wide load current range. The power save mode can be disabled, forcing the converter to operate at a fixed switching frequency. The maximum average current in the switches is limited to a typical value of 4 A. The output voltage is programmable using an external resistor divider, or is fixed internally on the chip. The converter can be disabled to minimize battery drain. During shutdown, the load is disconnected from the battery.

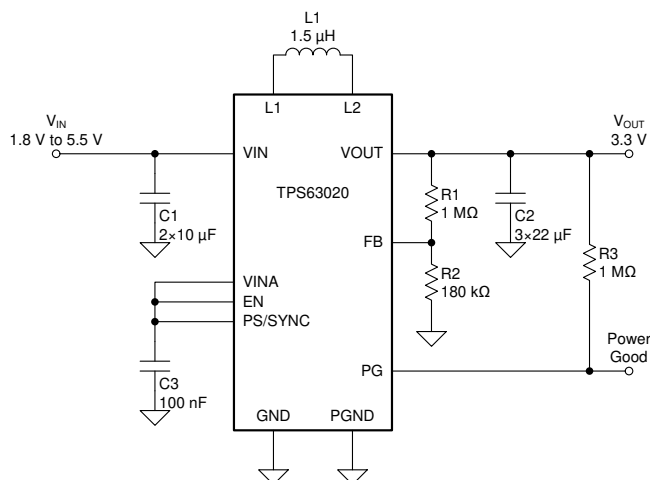
The TPS6302x devices operate over a free air temperature range of $-40^{\circ}C$ to $85^{\circ}C$. The devices are packaged in a 14-pin VSON package measuring 3 mm x 4 mm (DSJ).

Device Information⁽¹⁾

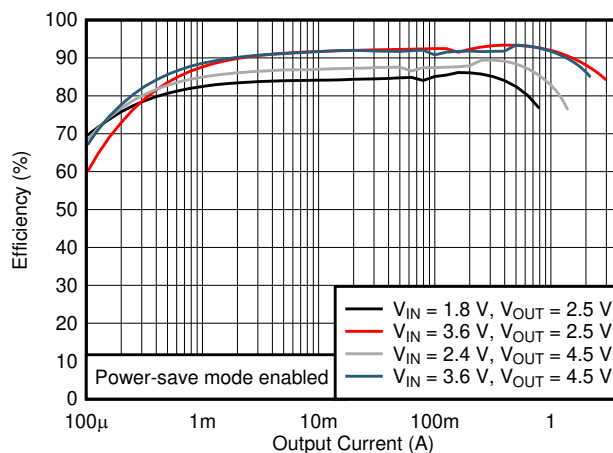
PART NUMBER	OUTPUT VOLTAGE	PACKAGE
TPS63020	Adjustable	VSON (14)
TPS63021	3.3 V	

(1) For all available packages, see the orderable addendum at the end of the data sheet.

Simplified Schematic



Efficiency vs Output Current



D001



Table of Contents

1 Features	1	8.1 Application Information.....	13
2 Applications	1	8.2 Typical Application	13
3 Description	1	8.3 System Examples	21
4 Revision History	2	9 Power Supply Recommendations	23
5 Pin Configuration and Functions	4	10 Layout	23
6 Specifications	5	10.1 Layout Guidelines	23
6.1 Absolute Maximum Ratings	5	10.2 Layout Example	23
6.2 ESD Ratings.....	5	10.3 Thermal Considerations.....	24
6.3 Recommended Operating Conditions.....	5	11 Device and Documentation Support	25
6.4 Thermal Information	5	11.1 Receiving Notification of Documentation Updates	25
6.5 Electrical Characteristics.....	6	11.2 Device Support.....	25
6.6 Typical Characteristics.....	7	11.3 Documentation Support	25
7 Detailed Description	8	11.4 Related Links	25
7.1 Overview	8	11.5 Support Resources	25
7.2 Functional Block Diagram	8	11.6 Trademarks	26
7.3 Feature Description.....	9	11.7 Electrostatic Discharge Caution.....	26
7.4 Device Functional Modes.....	10	11.8 Glossary	26
8 Application and Implementation	13	12 Mechanical, Packaging, and Orderable Information	26

4 Revision History

Changes from Revision H (August 2019) to Revision I	Page
• Changed ESD numbers to reflect latest test insights	5
• Changed Footnotes in order to reflect wording of latest JEP155 and JEP157 specifications	5
• Changed V_{FB} naming and description for better readability	6

Changes from Revision G (March 2019) to Revision H	Page
• Changed R3 68 k Ω To: R4 68 k Ω in Figure 28	21

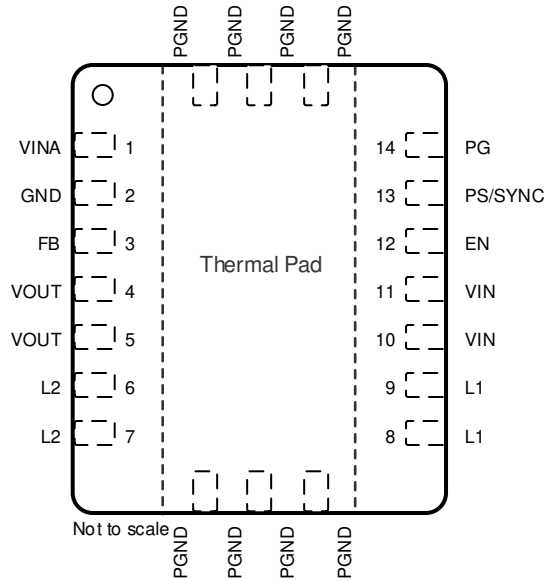
Changes from Revision F (March 2019) to Revision G	Page
• Changed the Simplified Schematic, removed the connection from VINA to VIN	1
• Changed Figure 7 , removed the connection from VINA to VIN	13
• Changed Figure 28 , removed the connection from VINA to VIN	21

Changes from Revision E (May 2017) to Revision F	Page
• Updated Features and Applications on the 1st page	1
• Changed the Body Size column To: Output Voltage in the <i>Device Information</i> table	1
• Changed the <i>Pin Configuration</i> image	4
• Changed Chapter order in Application Information	13
• Updated output capacitor selection section	15
• Added Table of <i>Typical Characteristics Curves</i>	17
• Changed Figure 24 and Figure 25	19
• Added Figure 26 and Figure 27	20
• Changed Figure 28	21
• Added system examples <i>Supercapacitor Backup Power Supply With Active Cell Balancing</i> and <i>Low-Power TEC Driver</i>	22

Changes from Revision D (October 2015) to Revision E	Page
<ul style="list-style-type: none"> • Added Voltage AC-spec to <i>Absolute Maximum Ratings</i> table for L1, L2. 	5
<hr/>	
Changes from Revision C (February 2013) to Revision D	Page
<ul style="list-style-type: none"> • Added <i>Handling Rating</i> table, <i>Feature Description</i> section, <i>Device Functional Modes, Application and Implementation</i> section, <i>Power Supply Recommendations</i> section, <i>Layout</i> section, <i>Device and Documentation Support</i> section, and <i>Mechanical, Packaging, and Orderable Information</i> section..... 	1
<hr/>	
Changes from Revision B (August 2012) to Revision C	Page
<ul style="list-style-type: none"> • Changed Figure 7 schematic to show correct component values. • Changed Figure 28 schematic to show correct component values. 	13 21
<hr/>	
Changes from Revision A (December 2011) to Revision B	Page
<ul style="list-style-type: none"> • Changed the Duty cycle in step down conversion values, added MIN = 20%, deleted TYP = 30% and MAX = 40% 	6
<hr/>	
Changes from Original (April 2010) to Revision A	Page
<ul style="list-style-type: none"> • Updated Figure 31 - PCB Layout Suggestion 	23

5 Pin Configuration and Functions

DSJ Package
14-Pin VSON with Exposed Thermal Pad
Top View



Pin Functions

PIN		I/O	DESCRIPTION
NAME	NO.		
EN	12	I	Enable input (1 enabled, 0 disabled), must not be left open
FB	3	I	Voltage feedback of adjustable versions, must be connected to VOUT on fixed output voltage versions
GND	2	–	Control / logic ground
L1	8, 9	I	Connection for inductor
L2	6, 7	I	Connection for inductor
PG	14	O	Output power good (1 good, 0 failure; open-drain), can be left open
PGND		–	Power ground
PS/SYNC	13	I	Enable / disable power save mode (1 disabled, 0 enabled, clock signal for synchronization), must not be left open
VIN	10, 11	I	Supply voltage for power stage
VINA	1	I	Supply voltage for control stage
VOUT	4, 5	O	Buck-boost converter output
Exposed Thermal Pad		–	The exposed thermal pad is connected to PGND.

6 Specifications

6.1 Absolute Maximum Ratings

over operating free-air temperature range (unless otherwise noted)⁽¹⁾

		MIN	MAX	UNIT
Voltage ⁽²⁾	VIN, VINA, VOUT, PS/SYNC, EN, FB, PG	-0.3	7	V
	L1, L2 (DC)	-0.3	7	V
	L1, L2 (AC, less than 10 ns) ⁽³⁾	-3	10	V
Operating junction temperature, T _J		-40	150	°C
Storage temperature, T _{stg}		-65	150	°C

- (1) Stresses beyond those listed under *Absolute Maximum Ratings* may cause permanent damage to the device. These are stress ratings only, and functional operation of the device at these or any other conditions beyond those indicated under *Recommended Operating Conditions* is not implied. Exposure to absolute-maximum-rated conditions for extended periods may affect device reliability.
- (2) All voltages are with respect to network ground terminal.
- (3) Normal switching operation

6.2 ESD Ratings

			VALUE	UNIT
V _(ESD)	Electrostatic discharge	Human body model (HBM), per ANSI/ESDA/JEDEC JS-001, pins VIN, VINA, L1 ⁽¹⁾	±500	V
		Human body model (HBM), per ANSI/ESDA/JEDEC JS-001, all other pins ⁽¹⁾	±2000	
		Charged device model (CDM), per JEDEC specification JESD22-C101, all pins ⁽²⁾	±1500	

- (1) JEDEC document JEP155 states that, with basic ESD control methods applied, 500 V HBM allows a safe manufacturing with proven margin.
- (2) JEDEC document JEP157 states that, with basic ESD control methods applied, 250 V CDM allows a safe manufacturing.

6.3 Recommended Operating Conditions

		MIN	NOM	MAX	UNIT
Supply voltage at VIN, VINA		1.8		5.5	V
Operating free air temperature, T _A		-40		85	°C
Operating junction temperature, T _J		-40		125	°C

6.4 Thermal Information

THERMAL METRIC ⁽¹⁾		TPS6302x	UNIT
		DSJ (VSON)	
		14 PINS	
R _{θJA}	Junction-to-ambient thermal resistance	41.8	°C/W
R _{θJC(top)}	Junction-to-case (top) thermal resistance	47	°C/W
R _{θJB}	Junction-to-board thermal resistance	17	°C/W
Ψ _{JT}	Junction-to-top characterization parameter	0.9	°C/W
Ψ _{JB}	Junction-to-board characterization parameter	16.8	°C/W
R _{θJC(bot)}	Junction-to-case (bottom) thermal resistance	3.6	°C/W

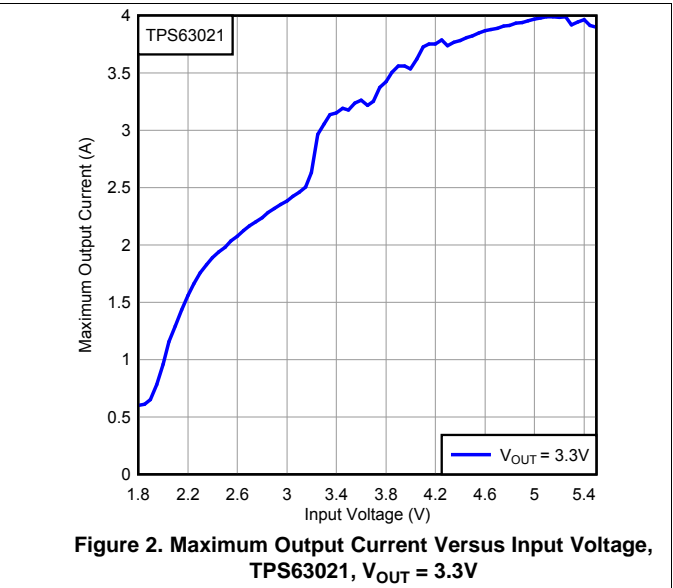
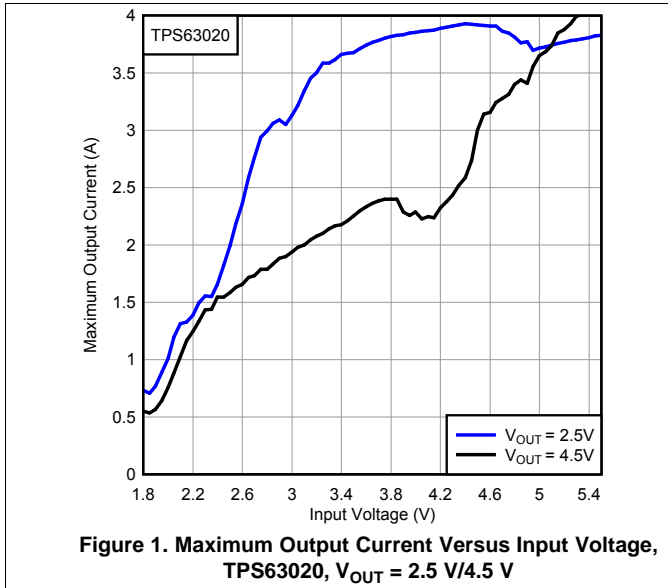
- (1) For more information about traditional and new thermal metrics, see the [Semiconductor and IC Package Thermal Metrics](#) application report.

6.5 Electrical Characteristics

over recommended free-air temperature range and over recommended input voltage range (typical at an ambient temperature range of 25°C) (unless otherwise noted)

PARAMETER		TEST CONDITIONS	MIN	TYP	MAX	UNIT		
DC/DC STAGE								
V _{IN}	Input voltage		1.8		5.5	V		
	Minimum input voltage for start-up		1.5	1.8	1.9	V		
	Minimum input voltage for start-up		1.5	1.8	2.0	V		
V _{OUT}	TPS63020 output voltage		1.2		5.5	V		
	Duty cycle in step down conversion		20%					
V _{FB_PWM}	TPS63020 feedback voltage		495	500	505	mV		
	TPS63021 output voltage		3.267	3.3	3.333	V		
V _{FB_PS}	TPS63020 feedback voltage / TPS63021 output voltage regulation in PS mode		PS/SYNC = V _{IN}		0.6%	5%		
	Maximum line regulation				0.5%			
	Maximum load regulation				0.5%			
f	Oscillator frequency		2200	2400	2600	kHz		
	Frequency range for synchronization		2200	2400	2600	kHz		
I _{SW}	Average switch current limit		V _{IN} = V _{INA} = 3.6 V, T _A = 25°C		3500	4000	4500	mA
	High side switch on resistance		V _{IN} = V _{INA} = 3.6 V		50			mΩ
	Low side switch on resistance		V _{IN} = V _{INA} = 3.6 V		50			mΩ
I _q	Quiescent current	V _{IN} and V _{INA}	I _{OUT} = 0 mA, V _{EN} = V _{IN} = V _{INA} = 3.6 V,		25	50		μA
		V _{OUT}	V _{OUT} = 3.3 V		5	10		μA
	TPS63021 FB input impedance		V _{EN} = HIGH		1			MΩ
I _S	Shutdown current		V _{EN} = 0 V, V _{IN} = V _{INA} = 3.6 V		0.1	1		μA
CONTROL STAGE								
UVLO	Under voltage lockout threshold		V _{INA} voltage decreasing		1.4	1.5	1.6	V
	Under voltage lockout hysteresis				200			mV
V _{IL}	EN, PS/SYNC input low voltage					0.4		V
V _{IH}	EN, PS/SYNC input high voltage				1.2			V
	EN, PS/SYNC input current		Clamped to GND or V _{INA}		0.01	0.1		μA
	PG output low voltage		V _{OUT} = 3.3 V, I _{PGL} = 10 μA		0.04	0.4		V
	PG output leakage current				0.01	0.1		μA
	Output overvoltage protection				5.5	7		V
	Overtemperature protection				140			°C
	Overtemperature hysteresis				20			°C

6.6 Typical Characteristics



7 Detailed Description

7.1 Overview

The control circuit of the device is based on an average current mode topology. The controller also uses input and output voltage feed forward. Changes of input and output voltage are monitored and can immediately change the duty cycle in the modulator to achieve a fast response to those errors. The voltage error amplifier gets its feedback input from the FB pin. At adjustable output voltages, a resistive voltage divider must be connected to that pin. At fixed output voltages, FB must be connected to the output voltage to directly sense the voltage. Fixed output voltage versions use a trimmed internal resistive divider. The feedback voltage will be compared with the internal reference voltage to generate a stable and accurate output voltage.

The device uses four internal N-channel MOSFETs to maintain synchronous power conversion at all possible operating conditions. This enables the device to keep high efficiency over a wide input voltage and output power range.

To avoid ground shift problems due to the high currents in the switches, two separate ground pins GND and PGND are used. The reference for all control functions is the GND pin. The power switches are connected to PGND. Both grounds must be connected on the PCB at only one point, ideally close to the GND pin. Due to the 4-switch topology, the load is always disconnected from the input during shutdown of the converter. To protect the device from overheating an internal temperature sensor is implemented.

7.2 Functional Block Diagram

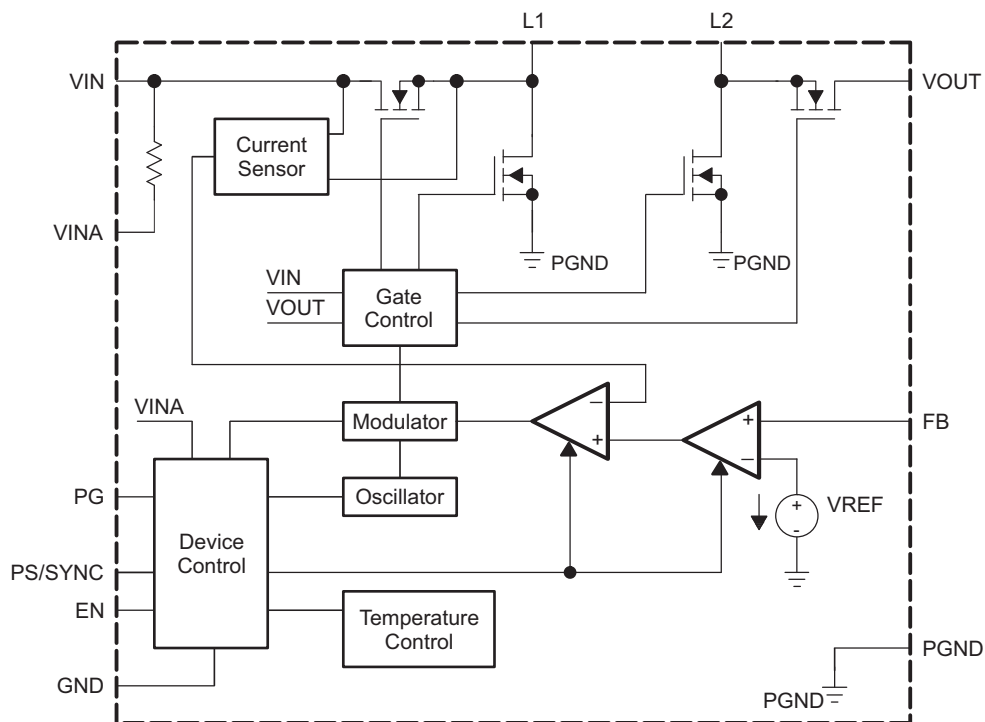


Figure 3. Functional Block Diagram (TPS63020)

Functional Block Diagram (continued)

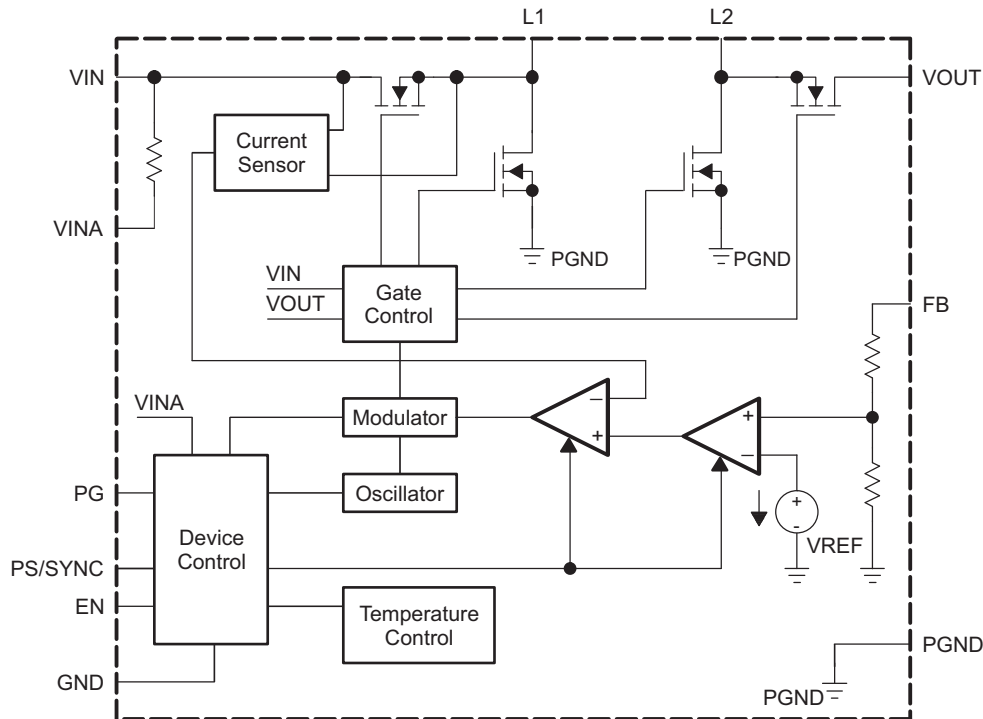


Figure 4. Functional Block Diagram (TPS63021)

7.3 Feature Description

7.3.1 Dynamic Voltage Positioning

As detailed in [Figure 6](#), the output voltage is typically 3% above the nominal output voltage at light load currents, as the device is in power save mode. This gives additional headroom for the voltage drop during a load transient from light load to full load. This allows the converter to operate with a small output capacitor and still have a low absolute voltage drop during heavy load transient changes.

7.3.2 Dynamic Current Limit

To protect the device and the application, the average inductor current is limited internally on the IC. At nominal operating conditions, this current limit is constant. The current limit value can be found in the electrical characteristics table. If the supply voltage at VIN drops below 2.3 V, the current limit is reduced. This can happen when the input power source becomes weak. Increasing output impedance, when the batteries are almost discharged, or an additional heavy pulse load is connected to the battery, can cause the VIN voltage to drop. The dynamic current limit has its lowest value when reaching the minimum recommended supply voltage at VIN. At this voltage, the device is forced into burst mode operation, trying to stay active as long as possible even with a weak input power source.

If the die temperature increases above the recommended maximum temperature, the dynamic current limit becomes active. Similar to the behavior when the input voltage at VIN drops, the current limit is reduced with temperature increasing.

7.3.3 Device Enable

The device is put into operation when EN is set high. It is put into a shutdown mode when EN is set to GND. In shutdown mode, the regulator stops switching, all internal control circuitry is switched off, and the load is disconnected from the input. This means that the output voltage can drop below the input voltage during shutdown. During start-up of the converter, the duty cycle and the peak current are limited in order to avoid high peak currents flowing from the input.

Feature Description (continued)

7.3.4 Power Good

The device has a built-in power-good function to indicate whether the output voltage is regulated properly. As soon as the average inductor current limit is reached, the power-good output gets low impedance. The output is open-drain and can be left open if not needed. By connecting a pullup resistor to the supply voltage of the externally connected logic, it is possible to adjust the voltage level within the absolute maximum ratings.

Because it is monitoring the status of the current control loop, the power-good output provides the earliest indication possible for an output voltage break down and leaves the connected application a maximum time to safely react.

7.3.5 Overvoltage Protection

If, for any reason, the output voltage is not fed back properly to the input of the voltage amplifier, control of the output voltage will not work anymore. Therefore, overvoltage protection is implemented to avoid the output voltage exceeding critical values for the device and possibly for the system it is supplying. The implemented overvoltage protection circuit monitors the output voltage internally as well. In case it reaches the overvoltage threshold, the voltage amplifier regulates the output voltage to this value.

7.3.6 Undervoltage Lockout

An undervoltage lockout function prevents device start-up if the supply voltage on VINA is lower than approximately its threshold (see [Electrical Characteristics](#)). When in operation, the device automatically enters the shutdown mode if the voltage at VINA drops below the undervoltage lockout threshold. The device automatically restarts if the input voltage recovers to the minimum operating input voltage.

7.3.7 Overtemperature Protection

The device has a built-in temperature sensor which monitors the internal IC temperature. If the temperature exceeds the programmed threshold (see [Electrical Characteristics](#)), the device stops operating. As soon as the IC temperature has decreased below the programmed threshold, it starts operating again. There is a built-in hysteresis to avoid unstable operation at IC temperatures at the overtemperature threshold.

7.4 Device Functional Modes

7.4.1 Soft-start and Short Circuit Protection

After being enabled, the device starts operating. The average current limit ramps up from an initial 400 mA following the output voltage increasing. At an output voltage of about 1.2 V, the current limit is at its nominal value. If the output voltage does not increase, the current limit does not increase. There is no timer implemented. Thus, the output voltage overshoot at start-up, as well as the inrush current, is kept at a minimum. The device ramps up the output voltage in a controlled manner even if a large capacitor is connected at the output. When the output voltage does not increase above 1.2 V, the device assumes a short circuit at the output, and keeps the current limit low to protect itself and the application. At a short on the output during operation, the current limit also is decreased accordingly.

7.4.2 Buck-Boost Operation

To regulate the output voltage at all possible input voltage conditions, the device automatically switches from step-down operation to boost operation and back as required by the configuration. It always uses one active switch, one rectifying switch, one switch permanently on, and one switch permanently off. Therefore, it operates as a step-down converter (buck) when the input voltage is higher than the output voltage, and as a boost converter when the input voltage is lower than the output voltage. There is no mode of operation in which all four switches are permanently switching. Controlling the switches this way allows the converter to maintain high efficiency at the most important point of operation when input voltage is close to the output voltage. The RMS current through the switches and the inductor is kept at a minimum to minimize switching and conduction losses. For the remaining two switches, one is kept permanently on and the other is kept permanently off, thus causing no switching losses.

Device Functional Modes (continued)

7.4.3 Control Loop

The controller circuit of the device is based on an average current mode topology. The average inductor current is regulated by a fast current regulator loop which is controlled by a voltage control loop. Figure 5 shows the control loop.

The non-inverting input of the transconductance amplifier, gm_v , is assumed to be constant. The output of gm_v defines the average inductor current. The inductor current is reconstructed by measuring the current through the high-side buck MOSFET. This current corresponds exactly to the inductor current in boost mode. In buck mode, the current is measured during the on-time of the same MOSFET. During the off-time, the current is reconstructed internally starting from the peak value at the end of the on-time cycle. The average current and the feedback from the error amplifier gm_v forms the correction signal gm_c . This correction signal is compared to the buck and the boost sawtooth ramp giving the PWM signal. Depending on which of the two ramps, the gm_c output crosses either the buck or the boost stage is initiated. When the input voltage is close to the output voltage, one buck cycle is always followed by a boost cycle. In this condition, no more than three cycles in a row of the same mode are allowed. This control method in the buck-boost region ensures a robust control and the highest efficiency.

The buck-boost overlap control makes sure that the classical buck-boost function, which would cause two switches to be on every half a cycle, is avoided. Thanks to this block, whenever all switches becomes active during one clock cycle, the two ramps are shifted away from each other. On the other hand, when there is no switching activities because there is a gap between the ramps, the ramps are moved closer together. As a result, the number of classical buck-boost cycles or no switching is reduced to a minimum and high efficiency values has been achieved.

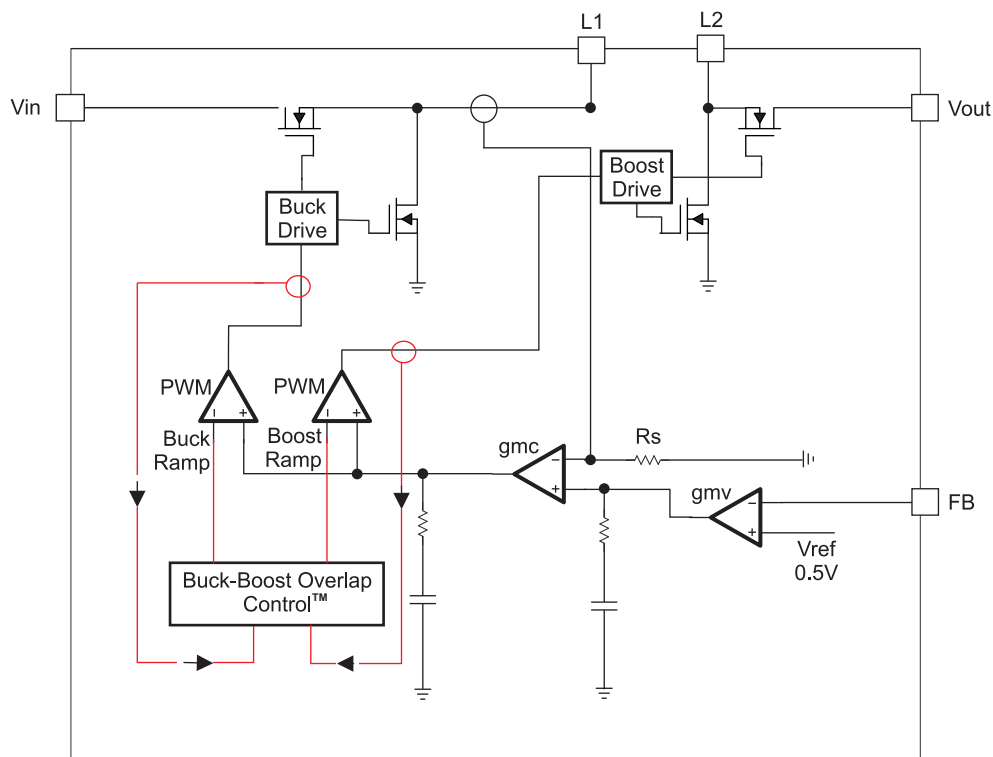


Figure 5. Average Current Mode Control

Device Functional Modes (continued)

7.4.4 Power Save Mode and Synchronization

The PS/SYNC pin can be used to select different operation modes. Power save mode is used to improve efficiency at light load. To enable power save mode, PS/SYNC must be set low. If PS/SYNC is set low, then power save mode is entered when the average inductor current gets lower than about 100 mA. At this point, the converter operates with reduced switching frequency and with a minimum quiescent current to maintain high efficiency. See [Figure 6](#) for detailed operation of the power save mode.

During the power save mode, the output voltage is monitored with a comparator by the threshold comp low and comp high. When the device enters power save mode, the converter stops operating and the output voltage drops. The slope of the output voltage depends on the load and the value of output capacitance. As the output voltage falls below the comp low threshold set to 2.5% typical above V_{OUT} , the device ramps up the output voltage again, by starting operation using a programmed average inductor current higher than required by the current load condition. Operation can last one or several pulses. The converter continues these pulses until the comp high threshold, set to typically 3.5% above V_{OUT} nominal, is reached and the average inductance current gets lower than about 100 mA. When the load increases above the minimum forced inductor current of about 100 mA, the device automatically switches to pulse width modulation (PWM) mode.

The power save mode can be disabled by programming high at the PS/SYNC. Connecting a clock signal at PS/SYNC forces the device to synchronize to the connected clock frequency.

Synchronization is done by a phase-locked loop (PLL), so synchronizing to lower and higher frequencies compared to the internal clock works without any issues. The PLL can also tolerate missing clock pulses without the converter malfunctioning. The PS/SYNC input supports standard logic thresholds.

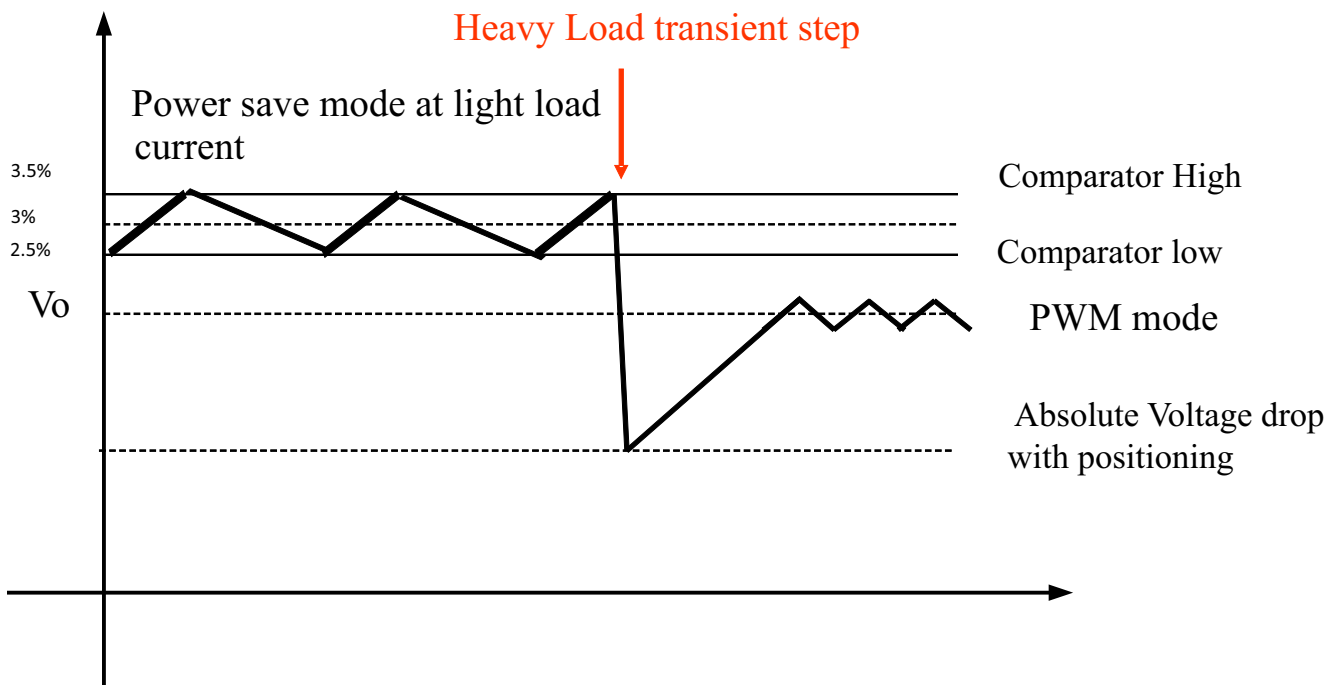


Figure 6. Power Save Mode Thresholds and Dynamic Voltage Positioning

8 Application and Implementation

NOTE

Information in the following applications sections is not part of the TI component specification, and TI does not warrant its accuracy or completeness. TI's customers are responsible for determining suitability of components for their purposes. Customers should validate and test their design implementation to confirm system functionality.

8.1 Application Information

The TPS6302x are high efficiency, low quiescent current, non-inverting buck-boost converters suitable for applications that need a regulated output voltage from an input supply that can be higher, lower, or equal to the output voltage. Output currents can go as high as 2 A in boost mode and as high as 4 A in buck mode. The average current in the switches is limited to a typical value of 4 A.

8.2 Typical Application

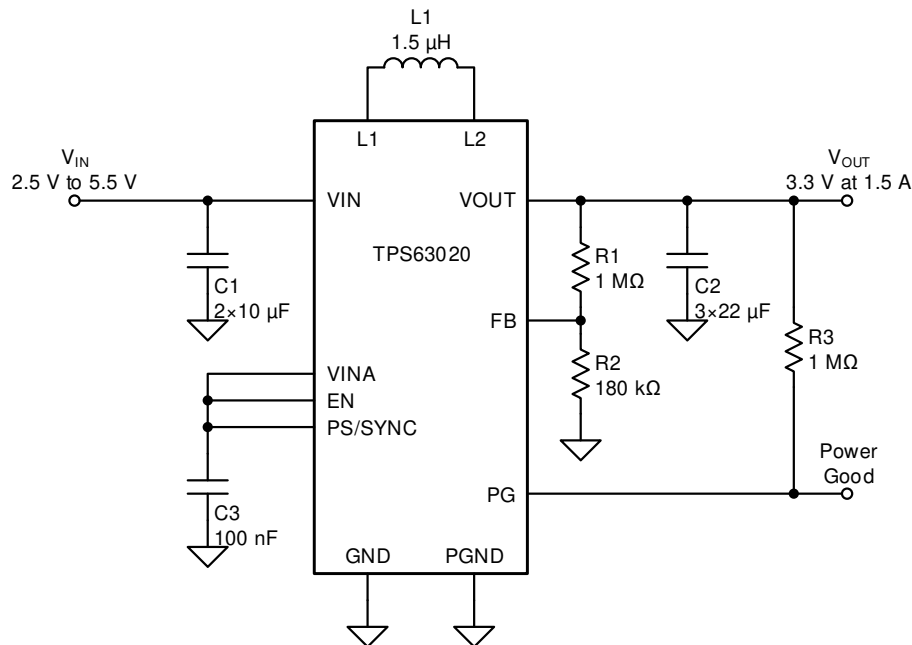


Figure 7. Application Circuit

8.2.1 Design Requirements

The design guideline provides a component selection to operate the device within the recommended operating conditions. See [Table 1](#) for possible inductor and capacitor combinations.

For the fixed output voltage option, the feedback pin needs to be connected to the VOUT pin.

Table 1. Matrix of Output Capacitor and Inductor Combinations

NOMINAL INDUCTOR VALUE [µH] ⁽¹⁾	NOMINAL OUTPUT CAPACITOR VALUE [µF] ⁽²⁾			
	2x22	3x22	4x22	≥ 100
1.0		+	+	+
1.5	+	+ ⁽³⁾	+	+
2.2			+	+

(1) Inductor tolerance and current derating is anticipated. The effective inductance can vary by 20% and –30%.

(2) Capacitance tolerance and DC bias voltage derating is anticipated. The effective capacitance can vary by 20% and –50%.

(3) Typical application. Other check marks indicate possible filter combinations.

8.2.2 Detailed Design Procedure

The TPS6302x series of buck-boost converter has internal loop compensation. Therefore, the external inductor and output capacitors have to be selected to work with the internal compensation. When selecting the external components, a low limit for the inductor value exists to avoid subharmonic oscillation which can be caused by a far too fast ramp up of the inductor current. For the TPS6302x series, the inductor value must be kept at or above 1 μH .

In particular, either 1 μH or 1.5 μH is recommended working at an output current between 1.5 A and 2 A. If operating with a lower load current, it is also possible to use 2.2 μH .

Selecting a larger output capacitor value is less critical because the corner frequency moves to lower frequencies.

8.2.2.1 Custom Design with WEBENCH Tools

[Click here](#) to create a custom design using the TPS63020 device with the WEBENCH® Power Designer.

1. Start by entering your V_{IN} , V_{OUT} and I_{OUT} requirements.
2. Optimize your design for key parameters like efficiency, footprint or cost using the optimizer dial and compare this design with other possible solutions from Texas Instruments.
3. WEBENCH Power Designer provides you with a customized schematic along with a list of materials with real time pricing and component availability.
4. In most cases, you will also be able to:
 - Run electrical simulations to see important waveforms and circuit performance,
 - Run thermal simulations to understand the thermal performance of your board,
 - Export your customized schematic and layout into popular CAD formats,
 - Print PDF reports for the design, and share your design with colleagues.
5. Get more information about WEBENCH tools at www.ti.com/webench.

8.2.2.2 Inductor Selection

The inductor selection is affected by several parameters such as the following:

- Inductor ripple current
- Output voltage ripple
- Transition point into Power Save Mode
- Efficiency

See [Table 2](#) for a list of typical inductors.

For high efficiencies, the inductor must have a low DC resistance to minimize conduction losses. Especially at high-switching frequencies, the core material has a high impact on efficiency. When using small chip inductors, the efficiency is reduced mainly due to higher inductor core losses. This needs to be considered when selecting the appropriate inductor. The inductor value determines the inductor ripple current. The larger the inductor value, the smaller the inductor ripple current and the lower the conduction losses of the converter. Conversely, larger inductor values cause a slower load transient response. Use [Equation 2](#) to avoid saturation of the inductor when calculating the peak current for the inductor in steady state operation. Only the equation which defines the switch current in boost mode is shown because this provides the highest value of current and represents the critical current value for selecting the right inductor.

$$\text{Duty Cycle Boost} \quad D = \frac{V_{\text{OUT}} - V_{\text{IN}}}{V_{\text{OUT}}} \quad (1)$$

$$I_{\text{PEAK}} = \frac{I_{\text{out}}}{\eta \times (1 - D)} + \frac{V_{\text{in}} \times D}{2 \times f \times L}$$

where

- D = duty cycle in boost mode
- f = converter switching frequency (typical 2.5 MHz)
- L = inductor value
- η = estimated converter efficiency (use the number from the efficiency curves or 0.9 as an assumption) (2)

NOTE

The calculation must be done for the minimum input voltage in boost mode.

Calculating the maximum inductor current using the actual operating conditions gives the minimum saturation current of the inductor needed. It is recommended to choose an inductor with a saturation current 20% higher than the value calculated using Equation 2. Table 2 lists the possible inductors.

Table 2. List of Recommended Inductors ⁽¹⁾

INDUCTOR VALUE [μH]	SATURATION CURRENT [A]	DCR [mΩ]	PART NUMBER	MANUFACTURER	SIZE (LxWxH mm)
1.5	5.1	15	XFL4020-152ME	Coilcraft	4 x 4 x 2.1
1.5	5.4	24	FDV0530S-H-1R5M	muRata	5 x 5 x 3

(1) See [Third-party Products Disclaimer](#).

8.2.2.3 Output Capacitor Selection

For the output capacitor, it is recommended to use of small ceramic capacitors placed as close as possible to the VOUT and PGND pins of the IC. The recommended nominal output capacitors are three times 22 μF. If, for any reason, the application requires the use of large capacitors that cannot be placed close to the IC, use a smaller ceramic capacitor in parallel to the large capacitor. Place the small capacitor as close as possible to the VOUT and PGND pins of the IC.

There are no additional requirements regarding minimum ESR. There is also no upper limit for the output capacitance value. Larger capacitors cause lower output voltage ripple as well as lower output voltage drop during load transients.

8.2.2.4 Input Capacitor Selection

A 10 μF input capacitor is recommended to improve line transient behavior of the regulator and EMI behavior of the total power supply circuit. An X5R or X7R ceramic capacitor placed as close as possible to the VIN and PGND pins of the IC is recommended. This capacitance can be increased without limit. If the input supply is located more than a few inches from the TPS6302x converter, additional bulk capacitance can be required in addition to the ceramic bypass capacitors. An electrolytic or tantalum capacitor with a value of 47 μF is a typical choice.

8.2.2.5 Bypass Capacitor

To make sure that the internal control circuits are supplied with a stable low noise supply voltage, a capacitor can be connected between VINA and GND. Using a ceramic capacitor with a value of 0.1 μF is recommended. The value of this capacitor must not be higher than 0.22 μF.

8.2.3 Setting The Output Voltage

When the adjustable output voltage version TPS63020 is used, the output voltage is set by an external resistor divider. The resistor divider must be connected between VOUT, FB, and GND. The feedback voltage is 500 mV nominal. The low-side resistor R2 (between FB and GND) must be kept in the range of 200 kΩ. Use Equation 3 to calculate the high-side resistor R1 (between VOUT and FB).

$$R1 = R2 \times \left(\frac{V_{OUT}}{V_{FB}} - 1 \right)$$

where

- $V_{FB} = 500 \text{ mV}$ (3)

Table 3. Resistor Selection For Typical Output Voltages

V _{OUT}	R1	R2
2.5 V	750 kΩ	180 kΩ
3.3 V	1 MΩ	180 kΩ
3.6 V	1.1 MΩ	180 kΩ

Table 3. Resistor Selection For Typical Output Voltages (continued)

V_{OUT}	R1	R2
4.5 V	1.43 M Ω	180 k Ω
5 V	1.6 M Ω	180 k Ω

8.2.4 Application Curves

Table 4. Components for Application Characteristic Curves for $V_{OUT} = 3.3\text{ V}^{(1)(2)}$

REFERENCE	DESCRIPTION	PART NUMBER	MANUFACTURER
U1	High Efficiency Single Inductor Buck-Boost Converter With 4-A Switches	TPS63020 or TPS63021	Texas Instruments
L1	1.5 μH , 4 mm x 4 mm x 2 mm	XFL4020-152ML	Coilcraft
C1	2 x 10 μF 6.3 V, 0603, X5R ceramic	GRM188R60J106ME84D	muRata
C2	3 x 22 μF 6.3 V, 0603, X5R ceramic	GRM188R60J226MEAOL	muRata
C3	0.1 μF , X5R or X7R ceramic	Standard	Standard
R1	1 M Ω at TPS63020, 0 Ω at TPS63021	Standard	Standard
R2	180 k Ω at TPS63020, not used at TPS63021	Standard	Standard
R3	1 M Ω	Standard	Standard

- (1) See [Third-Party Products Disclaimer](#).
 (2) For other output voltages, refer to [Table 3](#) for resistor values.

Table 5. Typical Characteristics Curves

PARAMETER	CONDITIONS	FIGURE
EFFICIENCY		
Efficiency vs Output Current, TPS63020 (Power save mode enabled)	$V_{IN} = 1.8\text{ V}, 2.4\text{ V}, 3.6\text{ V}, V_{OUT} = 2.5\text{ V}, 4.5\text{ V}, PS/SYNC = \text{Low}$	Figure 8
Efficiency vs Output Current, TPS63020 (PWM only)	$V_{IN} = 1.8\text{ V}, 2.4\text{ V}, 3.6\text{ V}, V_{OUT} = 2.5\text{ V}, 4.5\text{ V}, PS/SYNC = \text{High}$	Figure 9
Efficiency vs Output Current, TPS63021 (Power save mode enabled)	$V_{IN} = 2.4\text{ V}, 3.6\text{ V}, V_{OUT} = 3.3\text{ V}, PS/SYNC = \text{Low}$	Figure 10
Efficiency vs Output Current, TPS63021 (PWM only)	$V_{IN} = 2.4\text{ V}, 3.6\text{ V}, V_{OUT} = 3.3\text{ V}, PS/SYNC = \text{High}$	Figure 11
Efficiency vs Input Voltage, TPS63020 (Power save mode enabled)	$V_{OUT} = 2.5\text{ V}, \text{Load} = 10\text{ mA}, 500\text{ mA}, 1\text{ A}, 2\text{ A}, PS/SYNC = \text{Low}$	Figure 12
Efficiency vs Input Voltage, TPS63020 (Power save mode enabled)	$V_{OUT} = 4.5\text{ V}, \text{Load} = 10\text{ mA}, 500\text{ mA}, 1\text{ A}, 2\text{ A}, PS/SYNC = \text{Low}$	Figure 13
Efficiency vs Input Voltage, TPS63020 (PWM only)	$V_{OUT} = 2.5\text{ V}, \text{Load} = 10\text{ mA}, 500\text{ mA}, 1\text{ A}, 2\text{ A}, PS/SYNC = \text{Low}$	Figure 14
Efficiency vs Input Voltage, TPS63020 (PWM only)	$V_{OUT} = 2.5\text{ V}, \text{Load} = 10\text{ mA}, 500\text{ mA}, 1\text{ A}, 2\text{ A}, PS/SYNC = \text{Low}$	Figure 15
Efficiency vs Input Voltage, TPS63021 (Power save mode enabled)	$V_{OUT} = 3.3\text{ V}, \text{Load} = 10\text{ mA}, 500\text{ mA}, 1\text{ A}, 2\text{ A}, PS/SYNC = \text{Low}$	Figure 16
Efficiency vs Input Voltage, TPS63021 (PWM only)	$V_{OUT} = 3.3\text{ V}, \text{Load} = 10\text{ mA}, 500\text{ mA}, 1\text{ A}, 2\text{ A}, PS/SYNC = \text{Low}$	Figure 17
REGULATION ACCURACY		
Load Regulation, PWM Boost Operation, TPS63020	$V_{IN} = 3.6\text{ V}, V_{OUT} = 4.5\text{ V}, PS/SYNC = \text{High}$	Figure 18
Load Regulation, PWM Buck Operation, TPS63020	$V_{IN} = 3.6\text{ V}, V_{OUT} = 2.5\text{ V}, PS/SYNC = \text{High}$	Figure 19
Load Regulation, PWM Operation, TPS63021	$V_{IN} = 3.6\text{ V}, V_{OUT} = 3.3\text{ V}, PS/SYNC = \text{High}$	Figure 20
Load Transient, TPS63021	$V_{IN} = 2.4\text{ V}, V_{OUT} = 3.3\text{ V}, \text{Load} = 500\text{ mA to } 1.5\text{ A}$	Figure 21
Load Transient, TPS63021	$V_{IN} = 4.2\text{ V}, V_{OUT} = 3.3\text{ V}, \text{Load} = 500\text{ mA to } 1.5\text{ A}$	Figure 22
Line Transient, TPS63021	$V_{IN} = 3.0\text{ V to } 3.7\text{ V}, V_{OUT} = 3.3\text{ V}, \text{Load} = 1.5\text{ A}$	Figure 23
START-UP		
Start-up Behavior from Rising Enable, TPS63021	$V_{IN} = 2.4\text{ V}, V_{OUT} = 3.3\text{ V}, \text{Load} = 2.2\ \Omega$	Figure 24
Start-up Behavior from Rising Enable, TPS63021	$V_{IN} = 4.2\text{ V}, V_{OUT} = 3.3\text{ V}, \text{Load} = 2.2\ \Omega$	Figure 25
Start-up Behavior from Rising Enable, TPS63021	$V_{IN} = 2.4\text{ V}, V_{OUT} = 3.3\text{ V}, \text{Load} = 2.2\ \Omega$	Figure 26
Start-up Behavior from Rising Enable, TPS63021	$V_{IN} = 4.2\text{ V}, V_{OUT} = 3.3\text{ V}, \text{Load} = 2.2\ \Omega$	Figure 27

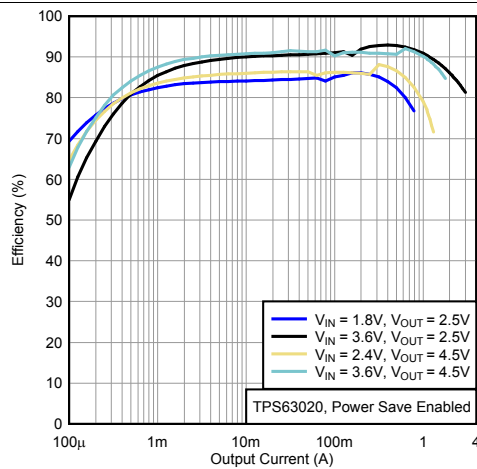


Figure 8. Efficiency Versus Output Current, TPS63020, Power Save Enabled

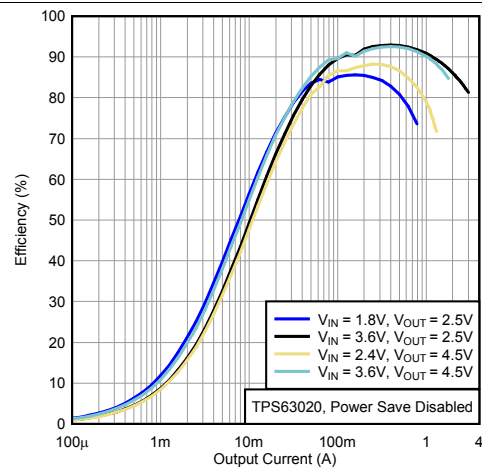


Figure 9. Efficiency Versus Output Current, TPS63020, Power Save Disabled

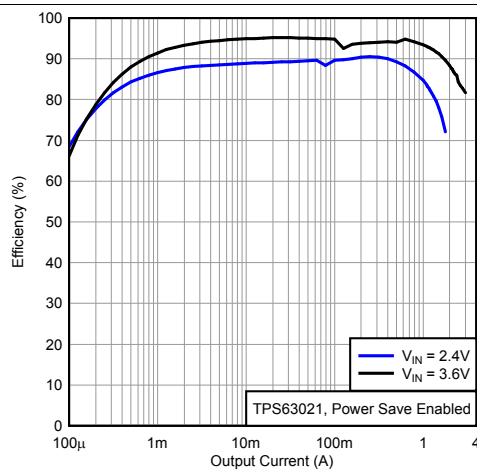


Figure 10. Efficiency Versus Output Current, TPS63021, Power Save Enabled

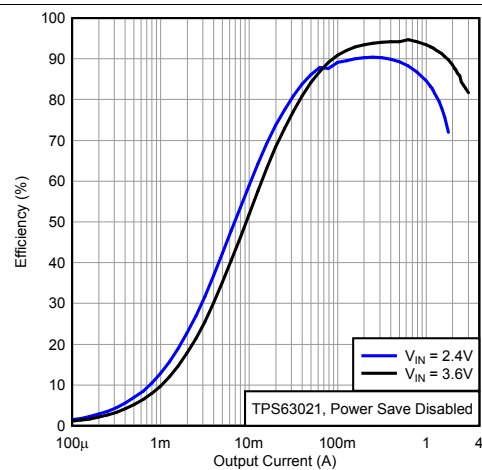


Figure 11. Efficiency Versus Output Current, TPS63021, Power Save Disabled

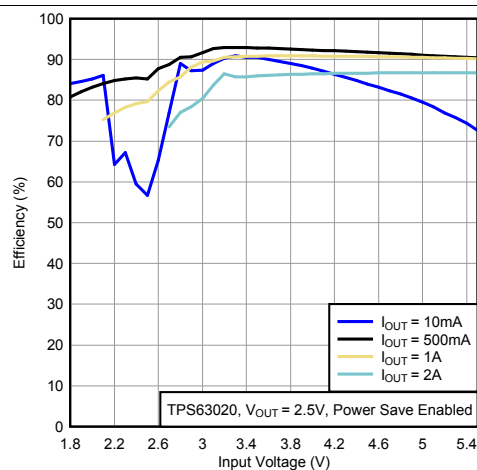


Figure 12. Efficiency Versus Input Voltage, TPS63020, V_{OUT} = 2.5 V, Power Save Enabled

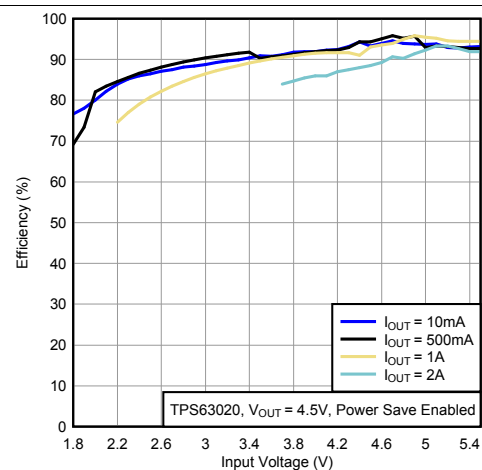


Figure 13. Efficiency Versus Input Voltage, TPS63020, V_{OUT} = 4.5 V, Power Save Enabled

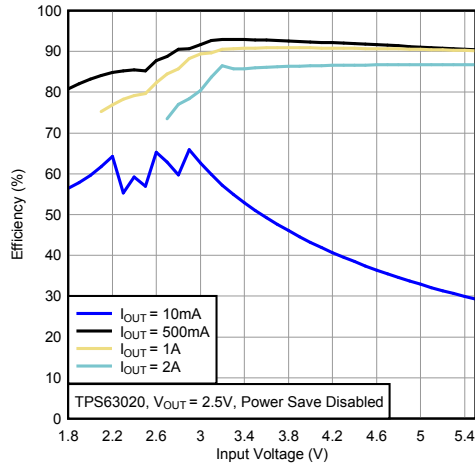


Figure 14. Efficiency Versus Input Voltage, TPS63020, $V_{OUT} = 2.5\text{ V}$, Power Save Disabled

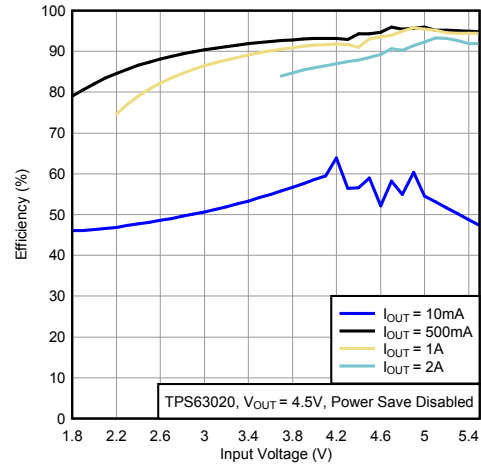


Figure 15. Efficiency Versus Input Voltage, TPS63020, $V_{OUT} = 4.5\text{ V}$, Power Save Disabled

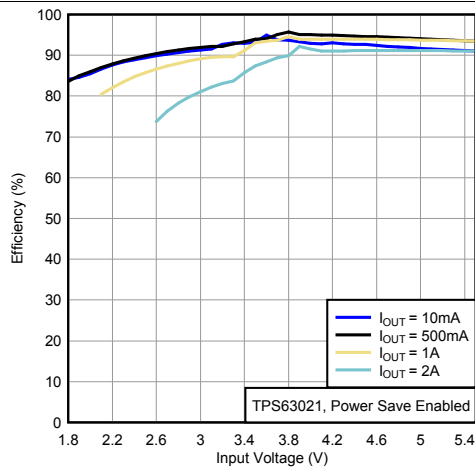


Figure 16. Efficiency Versus Input Voltage, TPS63021, Power Save Enabled

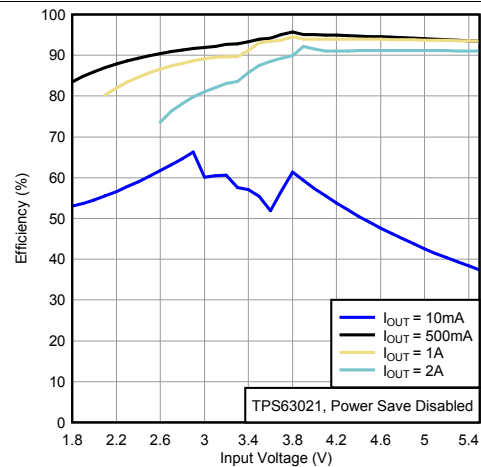


Figure 17. Efficiency Versus Input Voltage, TPS63021, Power Save Disabled

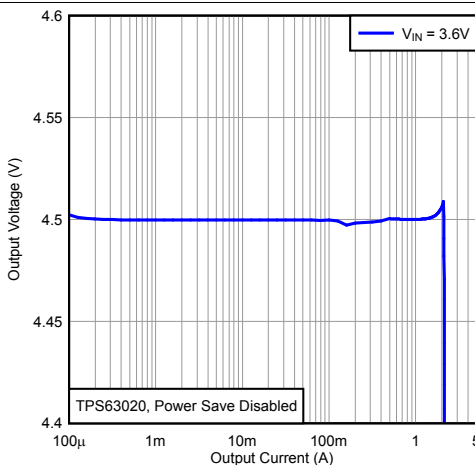


Figure 18. Output Voltage Versus Output Current, TPS63020, Power Save Disabled

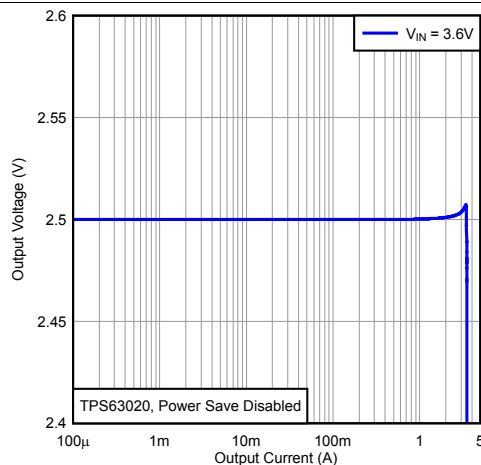


Figure 19. Output Voltage Versus Output Current, TPS63020, Power Save Enabled

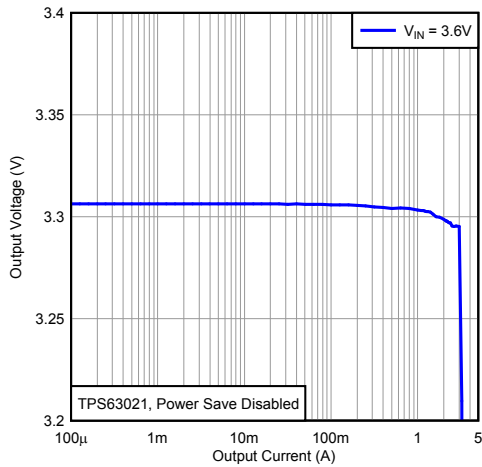


Figure 20. Output Voltage Versus Output Current, TPS63021, Power Save Disabled

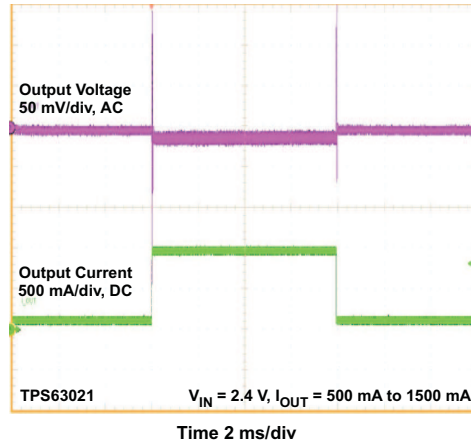


Figure 21. Load Transient Response, TPS63021

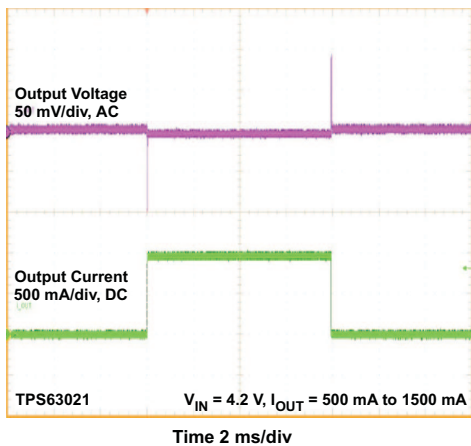


Figure 22. Load Transient Response, TPS63021

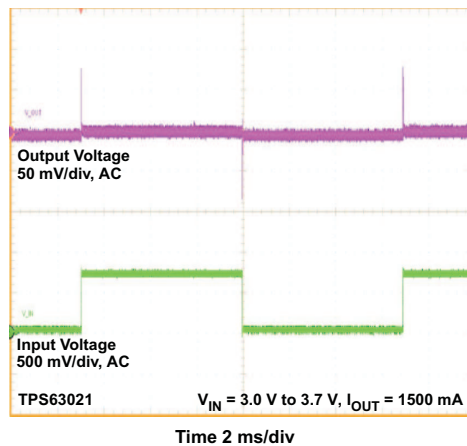


Figure 23. Line Transient Response, TPS63021

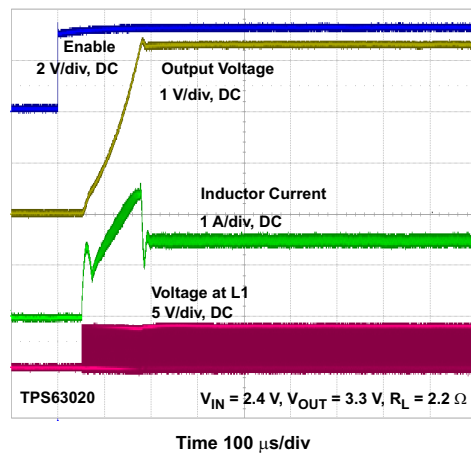


Figure 24. Start-up Behavior from Rising Enable, TPS63020

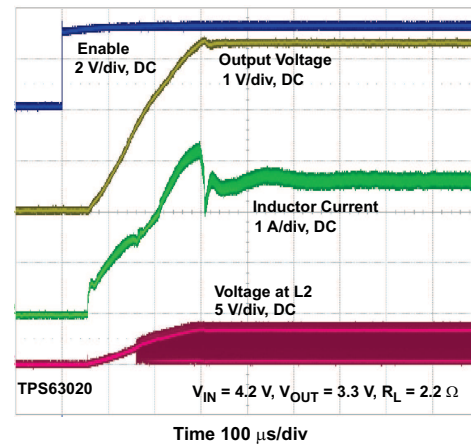


Figure 25. Start-up Behavior from Rising Enable, TPS63020

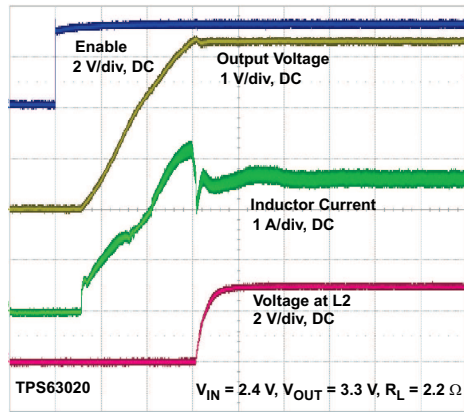


Figure 26. Start-up Behavior from Rising Enable, TPS63020

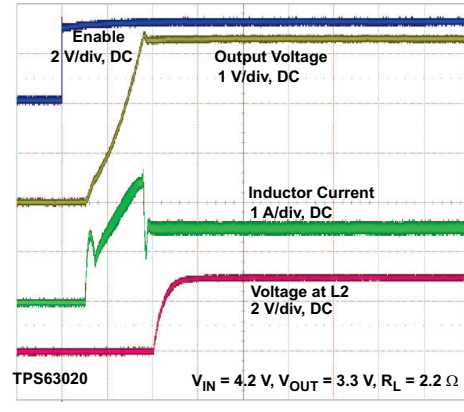


Figure 27. Start-up Behavior from Rising Enable, TPS63020

8.3 System Examples

8.3.1 Improved Transient Response for 2 A Load Current

Capacitor C4 and resistor R4 are added for improved load transient performance.

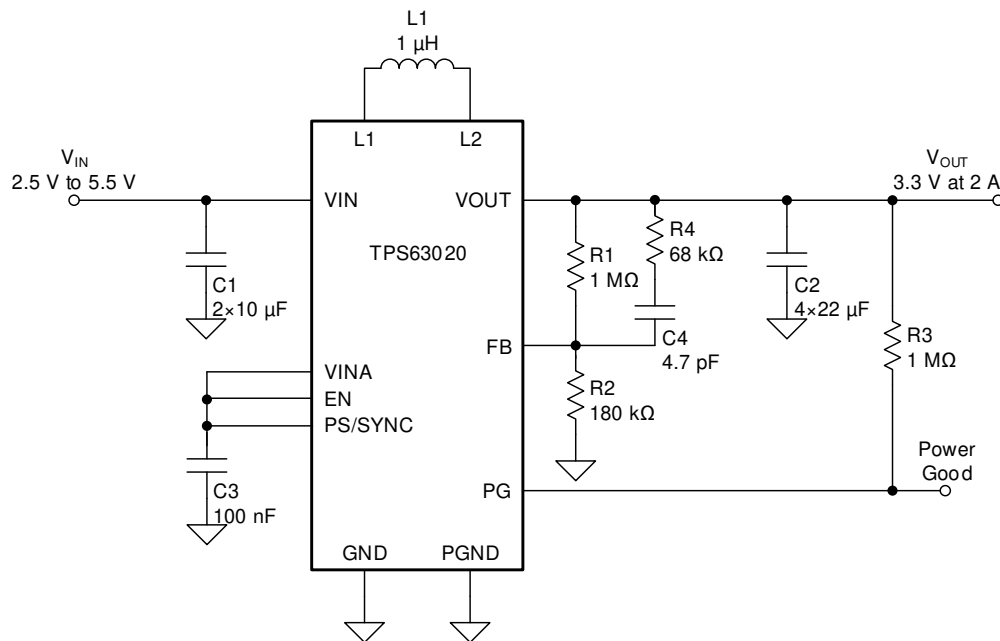


Figure 28. Application Circuit for 2 A Load Current

System Examples (continued)

8.3.2 Supercapacitor Backup Power Supply With Active Cell Balancing

The TPS63020 can be used to charge backup capacitors to a user-defined voltage level while the main power supply is supplying a system, and discharges these capacitors into the system when the main power supply is interrupted. With this design, the system voltage during backup operation keeps constant independent of the voltage reduction on the backup capacitors. Refer to the [PMP9766 Test Results Application Report](#) for more details.

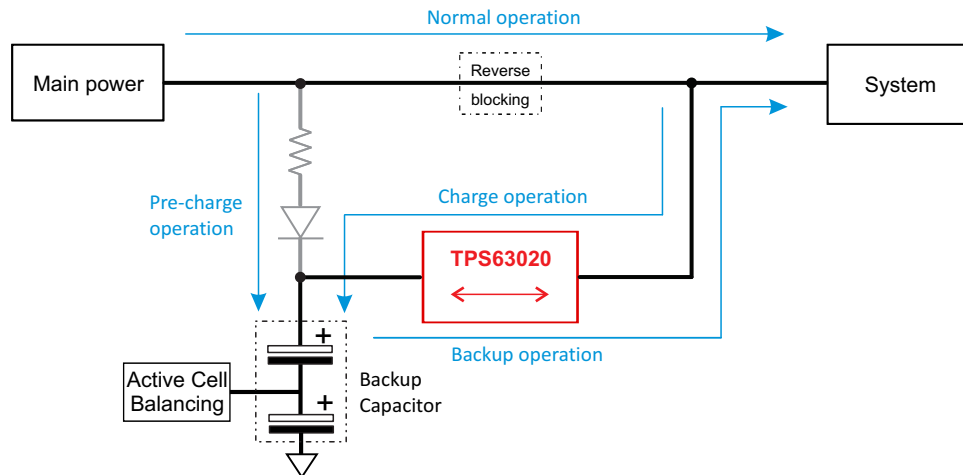


Figure 29. Simplified Block Diagram of a Backup Power System

8.3.3 Low-Power TEC Driver

Controlling the operating temperature of electronic circuits helps attain the best system performance. For passive control, that is, when heat sinks is not giving the right performance, active cooling using a thermoelectric cooler (TEC) might be able to solve the thermal issue. [Figure 30](#) shows an example driving such a TEC element with the TPS63020. Refer to the [Low-power TEC Driver Application Report](#).

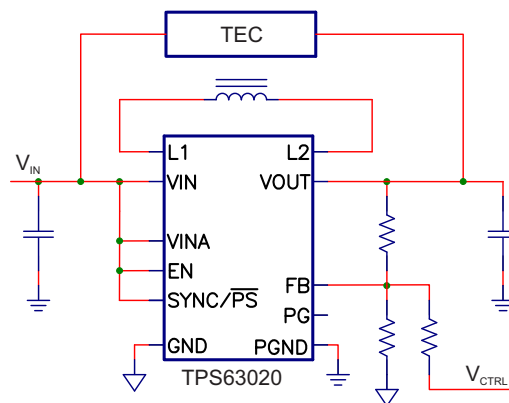


Figure 30. Low-Power TEC Driver Schematic

9 Power Supply Recommendations

The TPS6302x devices have no special requirements for its input power supply. The output current of the input power supply needs to be rated according to the supply voltage, output voltage, and output current of the TPS6302x.

10 Layout

10.1 Layout Guidelines

For all switching power supplies, the layout is an important step in the design, especially at high peak currents and high switching frequencies. If the layout is not carefully done, the regulator can show stability problems as well as EMI problems. Therefore, use wide and short traces for the main current path and for the power ground tracks. Place the input capacitor, output capacitor, and the inductor as close as possible to the IC. Use a common ground node for power ground and a different one for control ground to minimize the effects of ground noise. Connect these ground nodes at any place close to one of the ground pins of the IC.

The feedback divider must be placed as close as possible to the control ground pin of the IC. To lay out the control ground, short traces are recommended as well, separation from the power ground traces. This avoids ground shift problems, which can occur due to superimposition of power ground current and control ground current.

10.2 Layout Example

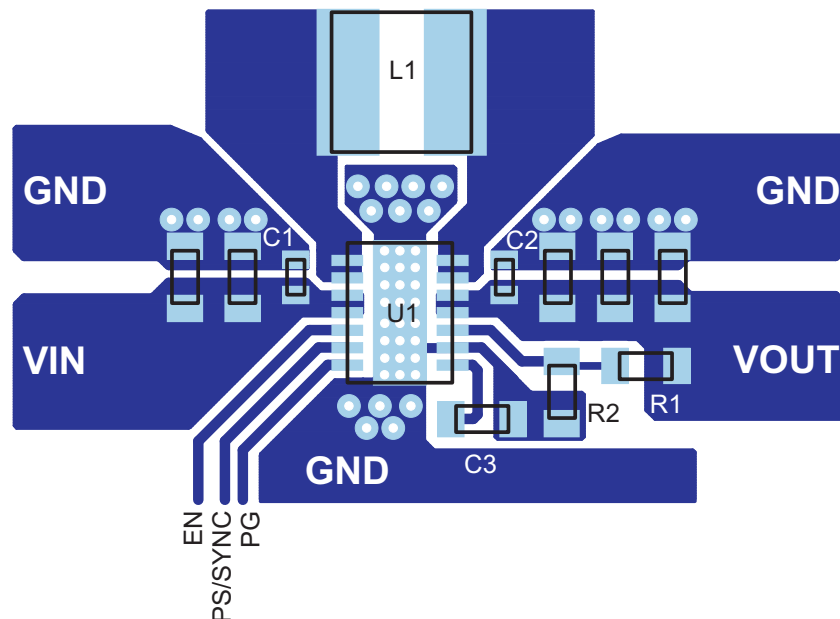


Figure 31. PCB Layout Suggestion

10.3 Thermal Considerations

Implementation of integrated circuits in low-profile and fine-pitch surface-mount packages typically requires special attention to power dissipation. Many system-dependent issues such as thermal coupling, airflow, added heat sinks and convection surfaces, and the presence of other heat-generating components affect the power-dissipation limits of a given component.

Three basic approaches for enhancing thermal performance are listed below:

- Improving the power dissipation capability of the PCB design
- Improving the thermal coupling of the component to the PCB by soldering the exposed thermal pad
- Introducing airflow in the system

Refer to the [Thermal Characteristics Application Note](#) and the [Semiconductor and IC Package Thermal Metrics Application Note](#) for more details on how to use the thermal parameters.

11 Device and Documentation Support

11.1 Receiving Notification of Documentation Updates

To receive notification of documentation updates, navigate to the device product folder on ti.com. In the upper right corner, click on *Alert me* to register and receive a weekly digest of any product information that has changed. For change details, review the revision history included in any revised document.

11.2 Device Support

11.2.1 Custom Design with WEBENCH Tools

[Click here](#) to create a custom design using the TPS63021 device with the WEBENCH® Power Designer.

1. Start by entering your V_{IN} , V_{OUT} and I_{OUT} requirements.
2. Optimize your design for key parameters like efficiency, footprint and cost using the optimizer dial and compare this design with other possible solutions from Texas Instruments.
3. WEBENCH Power Designer provides you with a customized schematic along with a list of materials with real time pricing and component availability.
4. In most cases, you will also be able to:
 - Run electrical simulations to see important waveforms and circuit performance,
 - Run thermal simulations to understand the thermal performance of your board,
 - Export your customized schematic and layout into popular CAD formats,
 - Print PDF reports for the design, and share your design with colleagues.
5. Get more information about WEBENCH tools at www.ti.com/webench.

11.2.2 Third-Party Products Disclaimer

TI'S PUBLICATION OF INFORMATION REGARDING THIRD-PARTY PRODUCTS OR SERVICES DOES NOT CONSTITUTE AN ENDORSEMENT REGARDING THE SUITABILITY OF SUCH PRODUCTS OR SERVICES OR A WARRANTY, REPRESENTATION OR ENDORSEMENT OF SUCH PRODUCTS OR SERVICES, EITHER ALONE OR IN COMBINATION WITH ANY TI PRODUCT OR SERVICE.

11.3 Documentation Support

11.3.1 Related Documentation

For related documentation see the following:

- Texas Instruments, [Thermal Characteristics Application Note](#)
- Texas Instruments, [IC Package Thermal Metrics Application Note](#)

11.4 Related Links

The table below lists quick access links. Categories include technical documents, support and community resources, tools and software, and quick access to sample or buy.

Table 6. Related Links

PARTS	PRODUCT FOLDER	SAMPLE & BUY	TECHNICAL DOCUMENTS	TOOLS & SOFTWARE	SUPPORT & COMMUNITY
TPS63020	Click here	Click here	Click here	Click here	Click here
TPS63021	Click here	Click here	Click here	Click here	Click here

11.5 Support Resources

[TI E2E™ support forums](#) are an engineer's go-to source for fast, verified answers and design help — straight from the experts. Search existing answers or ask your own question to get the quick design help you need.

Linked content is provided "AS IS" by the respective contributors. They do not constitute TI specifications and do not necessarily reflect TI's views; see TI's [Terms of Use](#).

11.6 Trademarks

E2E is a trademark of Texas Instruments.
WEBENCH is a registered trademark of Texas Instruments.
All other trademarks are the property of their respective owners.

11.7 Electrostatic Discharge Caution



These devices have limited built-in ESD protection. The leads should be shorted together or the device placed in conductive foam during storage or handling to prevent electrostatic damage to the MOS gates.

11.8 Glossary

[SLYZ022](#) — *TI Glossary*.

This glossary lists and explains terms, acronyms, and definitions.

12 Mechanical, Packaging, and Orderable Information

The following pages include mechanical, packaging, and orderable information. This information is the most current data available for the designated devices. This data is subject to change without notice and revision of this document. For browser-based versions of this data sheet, refer to the left-hand navigation.

PACKAGING INFORMATION

Orderable part number	Status (1)	Material type (2)	Package Pins	Package qty Carrier	RoHS (3)	Lead finish/ Ball material (4)	MSL rating/ Peak reflow (5)	Op temp (°C)	Part marking (6)
TPS63020DSJR	Active	Production	VSON (DSJ) 14	3000 LARGE T&R	Yes	NIPDAU	Level-1-260C-UNLIM	-40 to 125	PS63020
TPS63020DSJR.A	Active	Production	VSON (DSJ) 14	3000 LARGE T&R	Yes	NIPDAU	Level-1-260C-UNLIM	-40 to 125	PS63020
TPS63020DSJR.B	Active	Production	VSON (DSJ) 14	3000 LARGE T&R	Yes	NIPDAU	Level-1-260C-UNLIM	-40 to 125	PS63020
TPS63020DSJRG4	Active	Production	VSON (DSJ) 14	3000 LARGE T&R	Yes	NIPDAU	Level-1-260C-UNLIM	-40 to 125	PS63020
TPS63020DSJRG4.A	Active	Production	VSON (DSJ) 14	3000 LARGE T&R	Yes	NIPDAU	Level-1-260C-UNLIM	-40 to 125	PS63020
TPS63020DSJRG4.B	Active	Production	VSON (DSJ) 14	3000 LARGE T&R	Yes	NIPDAU	Level-1-260C-UNLIM	-40 to 125	PS63020
TPS63020DSJT	Active	Production	VSON (DSJ) 14	250 SMALL T&R	Yes	NIPDAU	Level-1-260C-UNLIM	-40 to 125	PS63020
TPS63020DSJT.A	Active	Production	VSON (DSJ) 14	250 SMALL T&R	Yes	NIPDAU	Level-1-260C-UNLIM	-40 to 125	PS63020
TPS63020DSJT.B	Active	Production	VSON (DSJ) 14	250 SMALL T&R	Yes	NIPDAU	Level-1-260C-UNLIM	-40 to 125	PS63020
TPS63021DSJR	Active	Production	VSON (DSJ) 14	3000 LARGE T&R	Yes	NIPDAU	Level-1-260C-UNLIM	-40 to 125	PS63021
TPS63021DSJR.A	Active	Production	VSON (DSJ) 14	3000 LARGE T&R	Yes	NIPDAU	Level-1-260C-UNLIM	-40 to 125	PS63021
TPS63021DSJR.B	Active	Production	VSON (DSJ) 14	3000 LARGE T&R	Yes	NIPDAU	Level-1-260C-UNLIM	-40 to 125	PS63021
TPS63021DSJRG4	Active	Production	VSON (DSJ) 14	3000 LARGE T&R	Yes	NIPDAU	Level-1-260C-UNLIM	-40 to 125	PS63021
TPS63021DSJRG4.A	Active	Production	VSON (DSJ) 14	3000 LARGE T&R	Yes	NIPDAU	Level-1-260C-UNLIM	-40 to 125	PS63021
TPS63021DSJRG4.B	Active	Production	VSON (DSJ) 14	3000 LARGE T&R	Yes	NIPDAU	Level-1-260C-UNLIM	-40 to 125	PS63021
TPS63021DSJT	Active	Production	VSON (DSJ) 14	250 SMALL T&R	Yes	NIPDAU	Level-1-260C-UNLIM	-40 to 125	PS63021
TPS63021DSJT.A	Active	Production	VSON (DSJ) 14	250 SMALL T&R	Yes	NIPDAU	Level-1-260C-UNLIM	-40 to 125	PS63021
TPS63021DSJT.B	Active	Production	VSON (DSJ) 14	250 SMALL T&R	Yes	NIPDAU	Level-1-260C-UNLIM	-40 to 125	PS63021

(1) **Status:** For more details on status, see our [product life cycle](#).

(2) **Material type:** When designated, preproduction parts are prototypes/experimental devices, and are not yet approved or released for full production. Testing and final process, including without limitation quality assurance, reliability performance testing, and/or process qualification, may not yet be complete, and this item is subject to further changes or possible discontinuation. If available for ordering, purchases will be subject to an additional waiver at checkout, and are intended for early internal evaluation purposes only. These items are sold without warranties of any kind.

(3) **RoHS values:** Yes, No, RoHS Exempt. See the [TI RoHS Statement](#) for additional information and value definition.

(4) **Lead finish/Ball material:** Parts may have multiple material finish options. Finish options are separated by a vertical ruled line. Lead finish/Ball material values may wrap to two lines if the finish value exceeds the maximum column width.

(5) **MSL rating/Peak reflow:** The moisture sensitivity level ratings and peak solder (reflow) temperatures. In the event that a part has multiple moisture sensitivity ratings, only the lowest level per JEDEC standards is shown. Refer to the shipping label for the actual reflow temperature that will be used to mount the part to the printed circuit board.

(6) **Part marking:** There may be an additional marking, which relates to the logo, the lot trace code information, or the environmental category of the part.

Multiple part markings will be inside parentheses. Only one part marking contained in parentheses and separated by a "~" will appear on a part. If a line is indented then it is a continuation of the previous line and the two combined represent the entire part marking for that device.

Important Information and Disclaimer:The information provided on this page represents TI's knowledge and belief as of the date that it is provided. TI bases its knowledge and belief on information provided by third parties, and makes no representation or warranty as to the accuracy of such information. Efforts are underway to better integrate information from third parties. TI has taken and continues to take reasonable steps to provide representative and accurate information but may not have conducted destructive testing or chemical analysis on incoming materials and chemicals. TI and TI suppliers consider certain information to be proprietary, and thus CAS numbers and other limited information may not be available for release.

In no event shall TI's liability arising out of such information exceed the total purchase price of the TI part(s) at issue in this document sold by TI to Customer on an annual basis.

OTHER QUALIFIED VERSIONS OF TPS63020 :

- Automotive : [TPS63020-Q1](#)

NOTE: Qualified Version Definitions:

- Automotive - Q100 devices qualified for high-reliability automotive applications targeting zero defects

TAPE AND REEL INFORMATION

QUADRANT ASSIGNMENTS FOR PIN 1 ORIENTATION IN TAPE


*All dimensions are nominal

Device	Package Type	Package Drawing	Pins	SPQ	Reel Diameter (mm)	Reel Width W1 (mm)	A0 (mm)	B0 (mm)	K0 (mm)	P1 (mm)	W (mm)	Pin1 Quadrant
TPS63020DSJR	VSON	DSJ	14	3000	330.0	12.4	3.3	4.3	1.1	8.0	12.0	Q1
TPS63020DSJR	VSON	DSJ	14	3000	330.0	12.4	3.3	4.3	1.1	8.0	12.0	Q1
TPS63020DSJRG4	VSON	DSJ	14	3000	330.0	12.4	3.3	4.3	1.1	8.0	12.0	Q1
TPS63020DSJT	VSON	DSJ	14	250	180.0	12.4	3.3	4.3	1.1	8.0	12.0	Q1
TPS63020DSJT	VSON	DSJ	14	250	180.0	12.5	3.3	4.3	1.1	8.0	12.0	Q1
TPS63021DSJR	VSON	DSJ	14	3000	330.0	12.4	3.3	4.3	1.1	8.0	12.0	Q1
TPS63021DSJR	VSON	DSJ	14	3000	330.0	12.4	3.3	4.3	1.1	8.0	12.0	Q1
TPS63021DSJRG4	VSON	DSJ	14	3000	330.0	12.4	3.3	4.3	1.1	8.0	12.0	Q1
TPS63021DSJT	VSON	DSJ	14	250	180.0	12.4	3.3	4.3	1.1	8.0	12.0	Q1

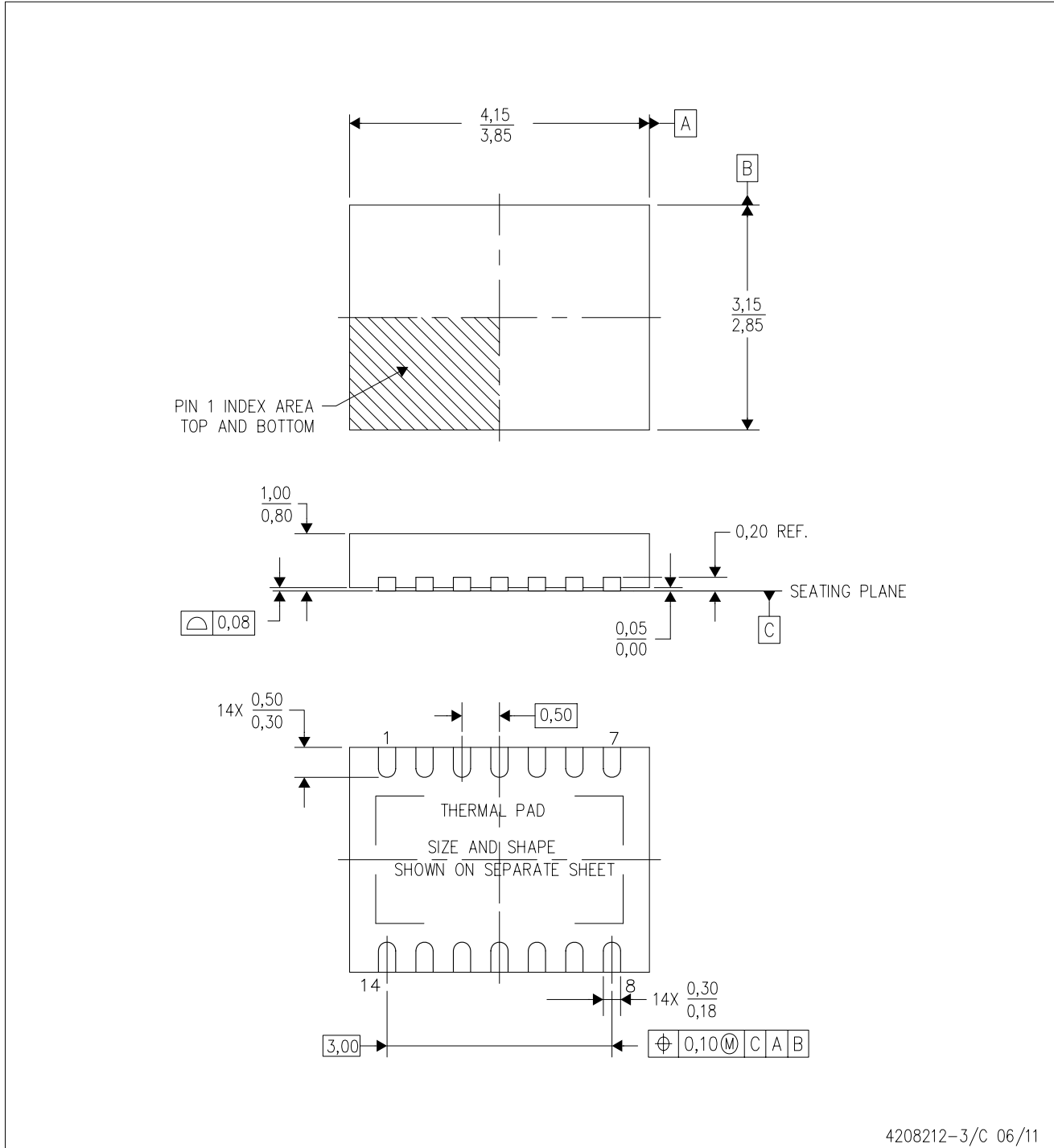
TAPE AND REEL BOX DIMENSIONS


*All dimensions are nominal

Device	Package Type	Package Drawing	Pins	SPQ	Length (mm)	Width (mm)	Height (mm)
TPS63020DSJR	VSON	DSJ	14	3000	338.0	355.0	35.0
TPS63020DSJR	VSON	DSJ	14	3000	353.0	353.0	32.0
TPS63020DSJRG4	VSON	DSJ	14	3000	353.0	353.0	32.0
TPS63020DSJT	VSON	DSJ	14	250	213.0	191.0	35.0
TPS63020DSJT	VSON	DSJ	14	250	205.0	200.0	33.0
TPS63021DSJR	VSON	DSJ	14	3000	353.0	353.0	32.0
TPS63021DSJR	VSON	DSJ	14	3000	338.0	355.0	35.0
TPS63021DSJRG4	VSON	DSJ	14	3000	353.0	353.0	32.0
TPS63021DSJT	VSON	DSJ	14	250	213.0	191.0	35.0

DSJ (R-PVSON-N14)

PLASTIC SMALL OUTLINE NO-LEAD



4208212-3/C 06/11

- NOTES:
- A. All linear dimensions are in millimeters. Dimensioning and tolerancing per ASME Y14.5M-1994.
 - B. This drawing is subject to change without notice.
 - C. Quad Flatpack, No-Leads (QFN) package configuration.
 - D. The package thermal pad must be soldered to the board for thermal and mechanical performance.
 - E. See the additional figure in the Product Data Sheet for details regarding the exposed thermal pad features and dimensions.

THERMAL PAD MECHANICAL DATA

DSJ (R-PVSON-N14)

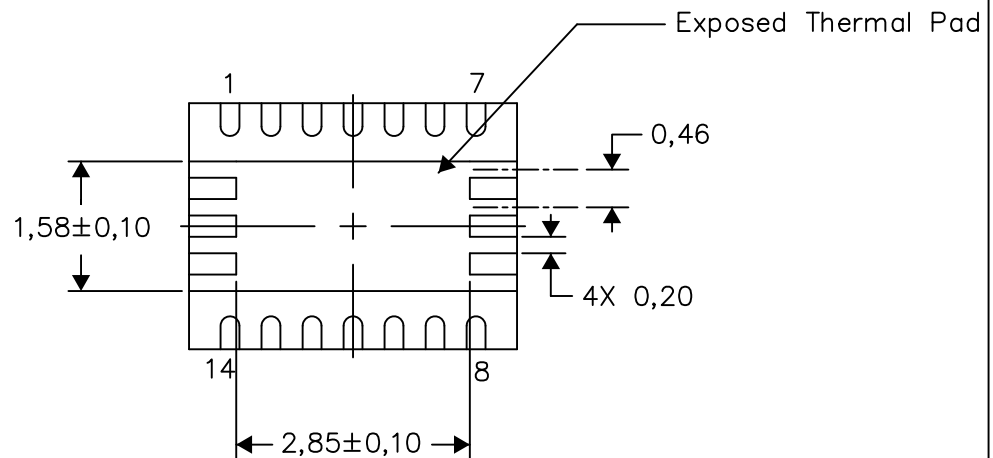
PLASTIC SMALL OUTLINE NO-LEAD

THERMAL INFORMATION

This package incorporates an exposed thermal pad that is designed to be attached directly to an external heatsink. The thermal pad must be soldered directly to the printed circuit board (PCB). After soldering, the PCB can be used as a heatsink. In addition, through the use of thermal vias, the thermal pad can be attached directly to the appropriate copper plane shown in the electrical schematic for the device, or alternatively, can be attached to a special heatsink structure designed into the PCB. This design optimizes the heat transfer from the integrated circuit (IC).

For information on the Quad Flatpack No-Lead (QFN) package and its advantages, refer to Application Report, QFN/SON PCB Attachment, Texas Instruments Literature No. SLUA271. This document is available at www.ti.com.

The exposed thermal pad dimensions for this package are shown in the following illustration.



Bottom View

Exposed Thermal Pad Dimensions

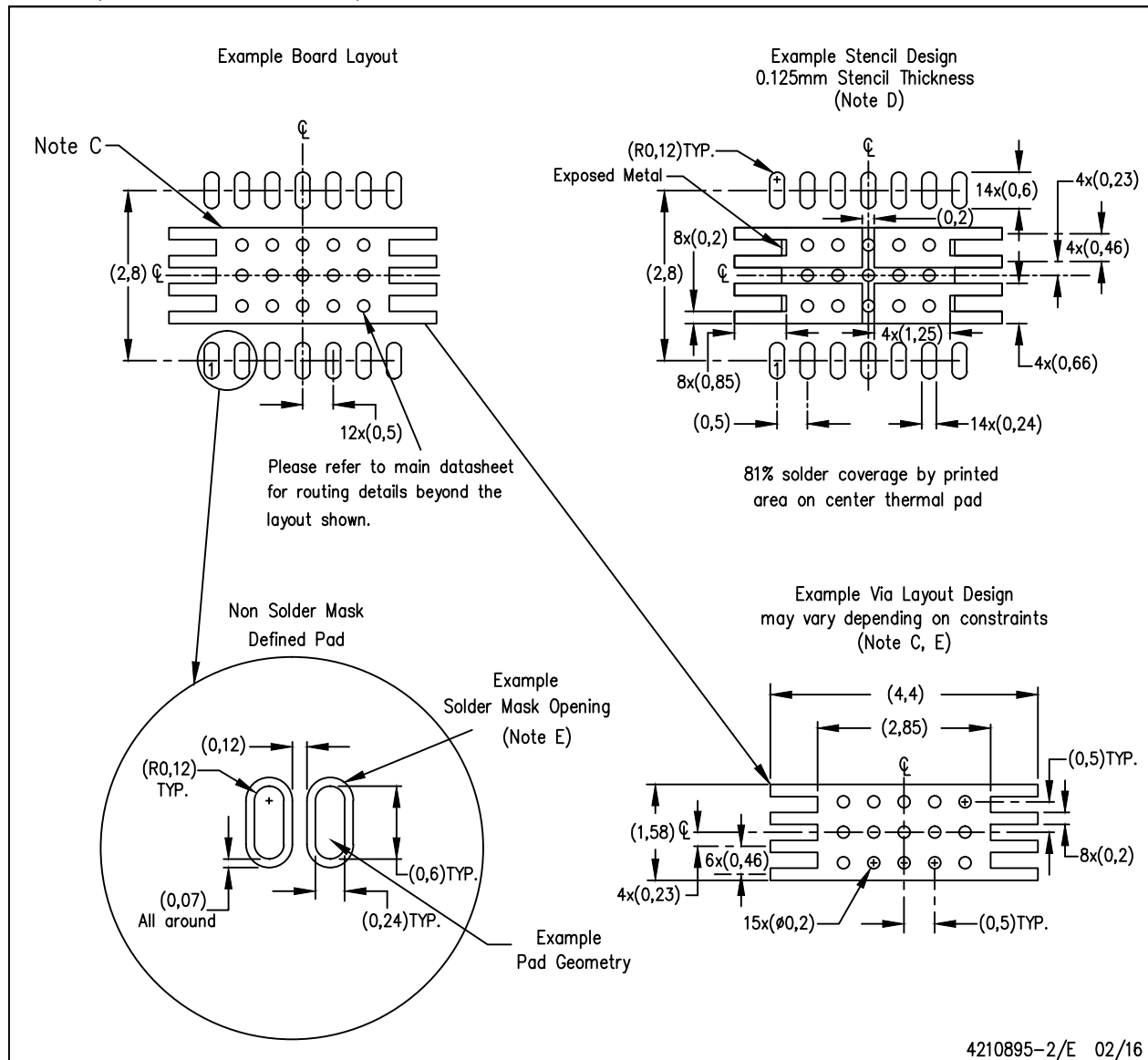
4208549-3/G 04/15

NOTE: All linear dimensions are in millimeters

LAND PATTERN DATA

DSJ (R-PVSON-N14)

PLASTIC SMALL OUTLINE NO-LEAD



4210895-2/E 02/16

- NOTES:
- All linear dimensions are in millimeters.
 - This drawing is subject to change without notice.
 - This package is designed to be soldered to a thermal pad on the board. Refer to Application Note, Quad Flat-Pack Packages, Texas Instruments Literature No. SCBA017, SLUA271, and also the Product Data Sheets for specific thermal information, via requirements, and recommended board layout. These documents are available at www.ti.com <<http://www.ti.com>>.
 - Laser cutting apertures with trapezoidal walls and also rounding corners will offer better paste release. Customers should contact their board assembly site for stencil design recommendations. Refer to IPC 7525 for stencil design considerations.
 - Customers should contact their board fabrication site for minimum solder mask web tolerances between signal pads.

IMPORTANT NOTICE AND DISCLAIMER

TI PROVIDES TECHNICAL AND RELIABILITY DATA (INCLUDING DATASHEETS), DESIGN RESOURCES (INCLUDING REFERENCE DESIGNS), APPLICATION OR OTHER DESIGN ADVICE, WEB TOOLS, SAFETY INFORMATION, AND OTHER RESOURCES "AS IS" AND WITH ALL FAULTS, AND DISCLAIMS ALL WARRANTIES, EXPRESS AND IMPLIED, INCLUDING WITHOUT LIMITATION ANY IMPLIED WARRANTIES OF MERCHANTABILITY, FITNESS FOR A PARTICULAR PURPOSE OR NON-INFRINGEMENT OF THIRD PARTY INTELLECTUAL PROPERTY RIGHTS.

These resources are intended for skilled developers designing with TI products. You are solely responsible for (1) selecting the appropriate TI products for your application, (2) designing, validating and testing your application, and (3) ensuring your application meets applicable standards, and any other safety, security, regulatory or other requirements.

These resources are subject to change without notice. TI grants you permission to use these resources only for development of an application that uses the TI products described in the resource. Other reproduction and display of these resources is prohibited. No license is granted to any other TI intellectual property right or to any third party intellectual property right. TI disclaims responsibility for, and you fully indemnify TI and its representatives against any claims, damages, costs, losses, and liabilities arising out of your use of these resources.

TI's products are provided subject to [TI's Terms of Sale](#), [TI's General Quality Guidelines](#), or other applicable terms available either on ti.com or provided in conjunction with such TI products. TI's provision of these resources does not expand or otherwise alter TI's applicable warranties or warranty disclaimers for TI products. Unless TI explicitly designates a product as custom or customer-specified, TI products are standard, catalog, general purpose devices.

TI objects to and rejects any additional or different terms you may propose.

Copyright © 2026, Texas Instruments Incorporated

Last updated 10/2025