

## OPAx320-Q1 Precision, 20-MHz, 0.9-pA, Low-Noise, RRIO, CMOS Operational Amplifier

### 1 Features

- Qualified for Automotive Applications
- AEC-Q100 Qualified with the Following Results:
  - Device Temperature Grade 1:  $-40^{\circ}\text{C}$  to  $125^{\circ}\text{C}$  Ambient Operating Temperature Range
  - Device HBM ESD Classification Level 2
  - Device CDM ESD Classification Level C4B
- Precision with Zero-Crossover Distortion:
  - Low Offset Voltage: 150  $\mu\text{V}$  (max)
  - High CMRR: 114 dB
  - Rail-to-Rail I/O
- Low Input Bias Current: 0.9 pA (max)
- Low Noise: 7  $\text{nV}/\sqrt{\text{Hz}}$  at 10kHz
- Wide Bandwidth: 20 MHz
- Slew Rate: 10  $\text{V}/\mu\text{s}$
- Quiescent Current: 1.45 mA/ch
- Single-Supply Voltage Range: 1.8 to 5.5 V
- Unity-Gain Stable
- Small VSSOP Package

### 2 Applications

- Automotive
- High-Z Sensor Signal Conditioning
- Transimpedance Amplifiers
- Test and Measurement Equipment
- Programmable Logic Controllers (PLCs)
- Motor Control Loops
- Communications
- Input and Output ADC and DAC Buffers
- Active Filters

### 3 Description

The OPA320-Q1 and OPA2320-Q1 (OPAx320-Q1) devices are a new generation of precision low-voltage CMOS operational amplifiers (op amps) optimized for very low noise and wide bandwidth. These devices operate on a low quiescent current of only 1.45 mA.

The OPAx320-Q1 are an excellent choice for low-power, single-supply applications. Low-noise (7  $\text{nV}/\sqrt{\text{Hz}}$ ) and high-speed operation also makes these devices an excellent choice for driving sampling analog-to-digital converters (ADCs). Other applications include signal conditioning and sensor amplification.

The OPAx320-Q1 feature a linear input stage with zero-crossover distortion that delivers excellent common-mode rejection ratio (CMRR) of 114 dB (typical) over the full input range. The input common-mode range extends 100 mV beyond the negative and positive supply rails. The output voltage typically swings within 10 mV of the rails.

In addition, the OPAx320-Q1 have a wide supply voltage range from 1.8 V to 5.5 V, with excellent PSRR (106 dB) over the entire supply range. These features make the OPAx320-Q1 suitable for precision, low-power applications that run directly from batteries without regulation.

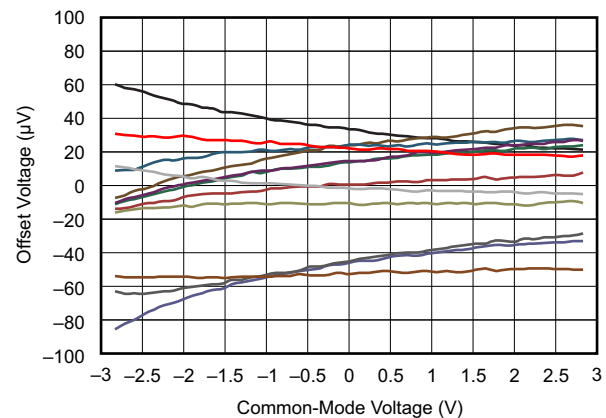
The OPAx320-Q1 device is available in an 8-pin VSSOP (DGK) package.

#### Device Information<sup>(1)</sup>

PART NUMBER	PACKAGE	BODY SIZE (NOM)
OPA320-Q1	SOT (5)	2.90 mm x 1.60 mm
OPA2320-Q1	VSSOP (8)	3.00 mm x 3.00 mm

(1) For all available packages, see the package option addendum at the end of the datasheet.

#### Zero Crossover Distortion: Low Offset Voltage



## Table of Contents

<b>1</b>	<b>Features</b> .....	<b>1</b>	<b>8</b>	<b>Application and Implementation</b> .....	<b>17</b>
<b>2</b>	<b>Applications</b> .....	<b>1</b>	8.1	Application Information.....	17
<b>3</b>	<b>Description</b> .....	<b>1</b>	8.2	Typical Applications .....	17
<b>4</b>	<b>Revision History</b> .....	<b>2</b>	<b>9</b>	<b>Power Supply Recommendations</b> .....	<b>22</b>
<b>5</b>	<b>Pin Configuration and Functions</b> .....	<b>3</b>	<b>10</b>	<b>Layout</b> .....	<b>22</b>
<b>6</b>	<b>Specifications</b> .....	<b>4</b>	10.1	Layout Guidelines .....	22
6.1	Absolute Maximum Ratings .....	4	10.2	Layout Example .....	23
6.2	ESD Ratings.....	4	<b>11</b>	<b>Device and Documentation Support</b> .....	<b>24</b>
6.3	Recommended Operating Conditions.....	4	11.1	Device Support.....	24
6.4	Thermal Information .....	4	11.2	Related Links .....	24
6.5	Electrical Characteristics: .....	5	11.3	Receiving Notification of Documentation Updates	24
6.6	Typical Characteristics .....	7	11.4	Community Resources.....	24
<b>7</b>	<b>Detailed Description</b> .....	<b>12</b>	11.5	Trademarks .....	24
7.1	Overview .....	12	11.6	Electrostatic Discharge Caution.....	24
7.2	Functional Block Diagram .....	12	11.7	Glossary .....	25
7.3	Feature Description.....	13	<b>12</b>	<b>Mechanical, Packaging, and Orderable Information</b> .....	<b>25</b>
7.4	Device Functional Modes.....	16			

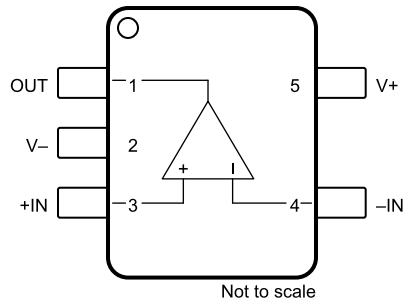
## 4 Revision History

Changes from Revision A (December 2016) to Revision B	Page
• Changed Figure 1 x-axis unit from mV to $\mu$ V (typo) .....	7
• Changed Figure 2 x-axis unit from mV/ $^{\circ}$ C to $\mu$ V/ $^{\circ}$ C (typo).....	7
• Changed Figure 3 y-axis unit from mV to $\mu$ V (typo).....	7
• Changed Figure 14 y-axis unit from mV to $\mu$ V (typo).....	8
• Changed Figure 19 y-axis unit from W to $\Omega$ (typo).....	9
• Changed Figure 25 y-axis unit from V/ms to V/ $\mu$ s (typo) .....	10
• Changed Figure 26 x-axis unit from ms to $\mu$ s (typo) .....	10
• Changed Figure 27 x-axis unit from ms to $\mu$ s (typo) .....	10
• Changed Figure 28 x-axis unit from ms to $\mu$ s (typo) .....	10
• Changed Figure 35 x-axis unit from ms to $\mu$ s (typo) .....	16

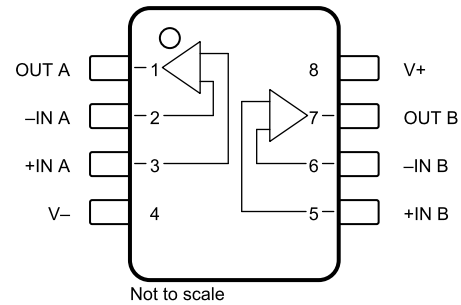
Changes from Original (September 2014) to Revision A	Page
• Added OPA320-Q1 device to document .....	1
• Changed OPA2320-Q1 to OPAx320-Q1 throughout document where both devices are being referred to .....	1
• Changed first sentence of Description section: added (OPA320-Q1, OPA2320-Q1) .....	1
• Added OPA320-Q1 to <i>Device Information</i> table.....	1
• Added OPA320-Q1 device (SOT package) to <i>Pin Configuration and Functions</i> section: added OPA320-Q1 pin out to section and added relevant rows to <i>Pin Functions</i> table.....	3
• Changed format of <i>ESD Ratings</i> table: updated table to current standards, moved storage temperature parameter to <i>Absolute Maximum Ratings</i> table .....	4
• Changed <i>Supply voltage</i> parameter in <i>Recommended Operating Conditions</i> table: split apart single- and dual-supply values into separate rows .....	4
• Added OPA320-Q1 package to <i>Thermal Information</i> table .....	4
• Changed <i>Output Voltage Swing vs Output Current</i> figure .....	8
• Changed <i>Operational Amplifier Board Layout for Noninverting Configuration</i> figure .....	23

## 5 Pin Configuration and Functions

**OPA320-Q1: DBV Package  
5-Pin SOT  
Top View**



**OPA2320-Q1: DGK Package  
8-Pin VSSOP  
Top View**



### Pin Functions

NAME	PIN NO.		I/O	DESCRIPTION
	DBV	DGK		
-IN	4	—	I	Inverting input
-IN A	—	2	I	Inverting input (channel A)
-IN B	—	6	I	Inverting input (channel B)
+IN	3	—	I	Noninverting input
+IN A	—	3	I	Noninverting input (channel A)
+IN B	—	5	I	Noninverting input (channel B)
OUT	1	—	O	Output
OUT A	—	1	O	Output (channel A)
OUT B	—	7	O	Output (channel B)
V-	2	4	—	Negative supply or ground (for single-supply operation)
V+	5	8	—	Positive supply

## 6 Specifications

### 6.1 Absolute Maximum Ratings

 over operating free-air temperature range (unless otherwise noted)<sup>(1)</sup>

		MIN	MAX	UNIT
Supply voltage	V+ and V–	6		V
Voltage <sup>(2)</sup>	Signal input pins	$V_{(V-)} - 0.5$	$V_{(V+)} + 0.5$	V
Current <sup>(2)</sup>	Signal input pins	–10	10	mA
	Output short-circuit current <sup>(3)</sup>	Continuous		
Temperature	Operating, $T_A$	–40	150	°C
	Junction, $T_J$	150		
	Storage, $T_{stg}$	–65	150	

- Stresses beyond those listed as *absolute maximum ratings* may cause permanent damage to the device. These are stress ratings only, and functional operation of the device at these or any other conditions beyond those indicated as *recommended operating conditions* is not implied. Exposure to absolute-maximum-rated conditions for extended periods may affect device reliability.
- Input terminals are diode-clamped to the power-supply rails. Input signals that can swing more than 0.5 V beyond the supply rails should be current limited to 10 mA or less.
- Short-circuit to ground, one amplifier per package.

### 6.2 ESD Ratings

			VALUE	UNIT
$V_{(ESD)}$ Electrostatic discharge	Human-body model (HBM), per AEC Q100-002 <sup>(1)</sup>		±2000	V
	Charged-device model (CDM), per AEC Q100-011	All pins	±500	
		Corner pins (1, 4, 5, and 8)	±750	

- AEC Q100-002 indicates that HBM stressing shall be in accordance with the ANSI/ESDA/JEDEC JS-001 specification.

### 6.3 Recommended Operating Conditions

over operating free-air temperature range (unless otherwise noted)

		MIN	NOM	MAX	UNIT
$V_S$ Supply voltage	Single-supply	1.8		5.5	V
	Dual-supply	±0.9		±2.75	
$T_A$ Ambient operating temperature		–40		125	°C

### 6.4 Thermal Information

THERMAL METRIC <sup>(1)</sup>		OPA320-Q1	OPA2320-Q1	UNIT
		DBV (SOT)	DGK (VSSOP)	
		5 PINS	8 PINS	
$R_{\theta JA}$ Junction-to-ambient thermal resistance		158.8	174.8	°C/W
$R_{\theta JC(top)}$ Junction-to-case (top) thermal resistance		60.7	43.9	°C/W
$R_{\theta JB}$ Junction-to-board thermal resistance		44.8	95	°C/W
$\psi_{JT}$ Junction-to-top characterization parameter		1.6	2	°C/W
$\psi_{JB}$ Junction-to-board characterization parameter		4.2	93.5	°C/W
$R_{\theta JC(bot)}$ Junction-to-case (bottom) thermal resistance		—	—	°C/W

- For more information about traditional and new thermal metrics, see the [Semiconductor and IC Package Thermal Metrics](#) application report.

## 6.5 Electrical Characteristics:

$V_S = 1.8$  to  $5.5$  V or  $\pm 0.9$  V to  $\pm 2.75$  V; at  $T_A = 25^\circ\text{C}$ ,  $R_{(L)} = 10$  k $\Omega$  connected to  $V_S / 2$ ,  $V_{(CM)} = V_S / 2$ ,  $V_O = V_S / 2$  (unless otherwise noted)

PARAMETER		TEST CONDITIONS	MIN	TYP	MAX	UNIT
<b>OFFSET VOLTAGE</b>						
$V_{IO}$	Input offset voltage			40	150	$\mu\text{V}$
	Input offset voltage versus temperature	$V_S = 5.5$ V, $T_A = -40^\circ\text{C}$ to $+125^\circ\text{C}$		1.5	5	$\mu\text{V}/^\circ\text{C}$
	Input offset voltage versus power supply	$V_S = 1.8$ to $5.5$ V		5	20	$\mu\text{V}/\text{V}$
		$V_S = 1.8$ to $5.5$ V, $T_A = -40^\circ\text{C}$ to $+125^\circ\text{C}$		15		
	Input offset-voltage channel separation	At 1 kHz		130		dB
<b>INPUT VOLTAGE</b>						
$V_{(CM)}$	Common-mode voltage range		$V_{(V-)} - 0.1$		$V_{(V+)} + 0.1$	V
CMRR	Common-mode rejection ratio	$V_S = 5.5$ V, $V_{(V-)} - 0.1$ V $<$ $V_{(CM)} <$ $V_{(V+)} + 0.1$ V	100	114		dB
	Common-mode rejection ratio, over temperature	$V_S = 5.5$ V, $V_{(V-)} - 0.1$ V $<$ $V_{(CM)} <$ $V_{(V+)} + 0.1$ V, $T_A = -40^\circ\text{C}$ to $125^\circ\text{C}$	96			dB
<b>INPUT BIAS CURRENT</b>						
$I_{IB}$	Input bias current			$\pm 0.2$	$\pm 0.9$	pA
	Input bias current, over temperature	$T_A = -40^\circ\text{C}$ to $85^\circ\text{C}$			$\pm 50$	pA
		$T_A = -40^\circ\text{C}$ to $125^\circ\text{C}$			$\pm 400$	
$I_{IO}$	Input offset current			$\pm 0.2$	$\pm 0.9$	pA
	Input offset current, over temperature	$T_A = -40^\circ\text{C}$ to $85^\circ\text{C}$			$\pm 50$	pA
		$T_A = -40^\circ\text{C}$ to $125^\circ\text{C}$			$\pm 400$	
<b>NOISE</b>						
$V_{(n)}$	Input voltage noise	$f = 0.1$ to $10$ Hz		2.8		$\mu\text{V}_{PP}$
	Input voltage noise density	$f = 1$ kHz		8.5		$\text{nV}/\sqrt{\text{Hz}}$
		$f = 10$ kHz		7		
	Input current noise density	$f = 1$ kHz		0.6		$\text{fA}/\sqrt{\text{Hz}}$
<b>INPUT CAPACITANCE</b>						
	Differential			5		pF
	Common-mode			4		pF
<b>OPEN-LOOP GAIN</b>						
$A_{(OL)}$	Open-loop voltage gain	$0.1$ V $<$ $V_O <$ $V_{(V+)} - 0.1$ V, $R_{(L)} = 10$ k $\Omega$	114	132		dB
		$0.1$ V $<$ $V_O <$ $V_{(V+)} - 0.1$ V, $R_{(L)} = 10$ k $\Omega$ , $T_A = -40^\circ\text{C}$ to $125^\circ\text{C}$	100	130		
		$0.2$ V $<$ $V_O <$ $V_{(V+)} - 0.2$ V, $R_{(L)} = 2$ k $\Omega$	108	123		
		$0.2$ V $<$ $V_O <$ $V_{(V+)} - 0.2$ V, $R_{(L)} = 2$ k $\Omega$ , $T_A = -40^\circ\text{C}$ to $125^\circ\text{C}$	96	130		
PM	Phase margin	$V_S = 5$ V, $C_{(L)} = 50$ pF		47		$^\circ$
<b>FREQUENCY RESPONSE (<math>V_S = 5</math> V, <math>C_{(L)} = 50</math> pF)</b>						
GBP	Gain bandwidth product	Unity gain		20		MHz
SR	Slew rate	$G = 1$		10		V/ $\mu\text{s}$
$t_s$	Settling time	To 0.1%, 2-V step, $G = 1$		0.25		$\mu\text{s}$
		To 0.01%, 2-V step, $G = 1$		0.32		
		To 0.0015%, 2-V step, $G = 1^{(1)}$		0.5		
	Overload recovery time	$V_I \times G > V_S$		100		ns
THD+N	Total harmonic distortion + noise <sup>(2)</sup>	$V_O = 4$ V $_{PP}$ , $G = 1$ , $f = 10$ kHz, $R_{(L)} = 10$ k $\Omega$		0.0005%		
		$V_O = 4$ V $_{PP}$ , $G = 1$ , $f = 10$ kHz, $R_{(L)} = 600$ k $\Omega$		0.0011%		

(1) Based on simulation.

(2) Third-order filter; bandwidth = 80 kHz at  $-3$  dB.

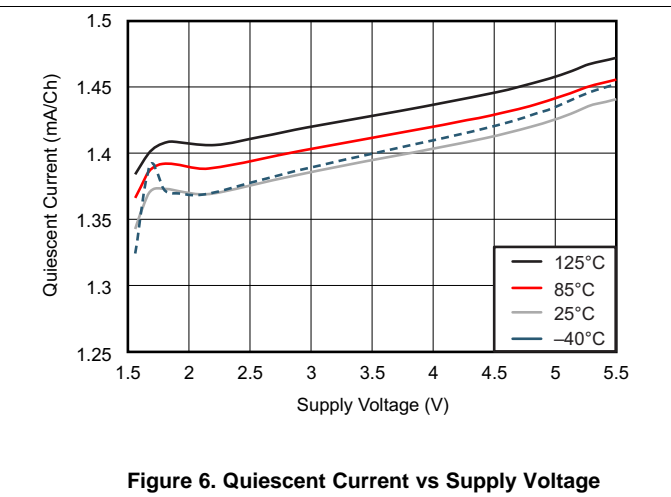
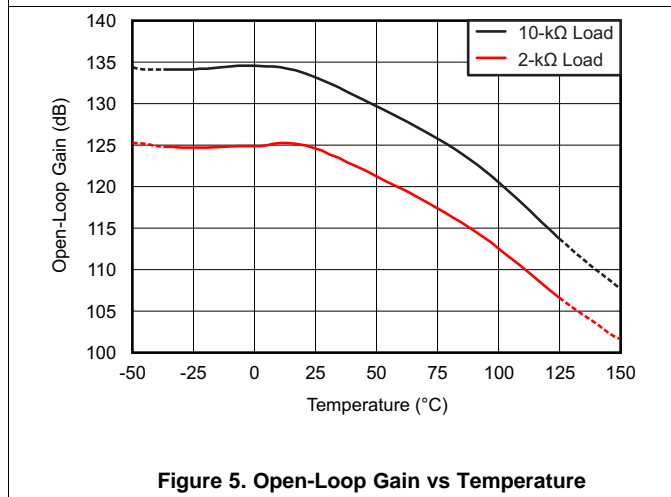
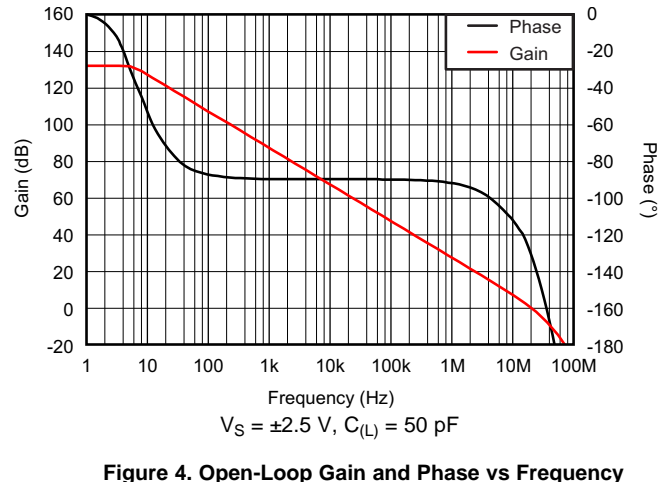
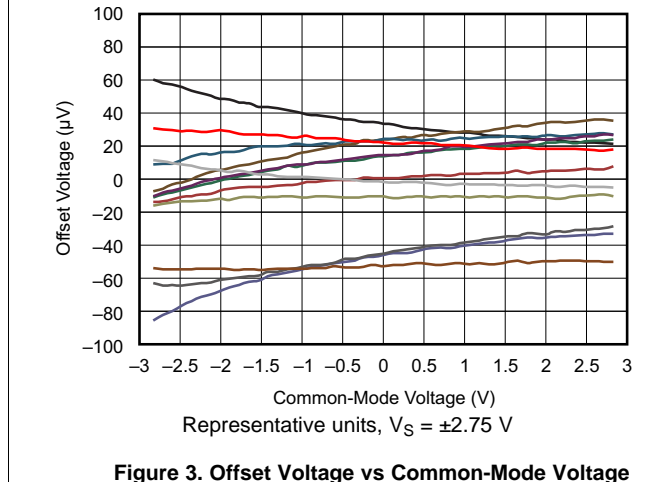
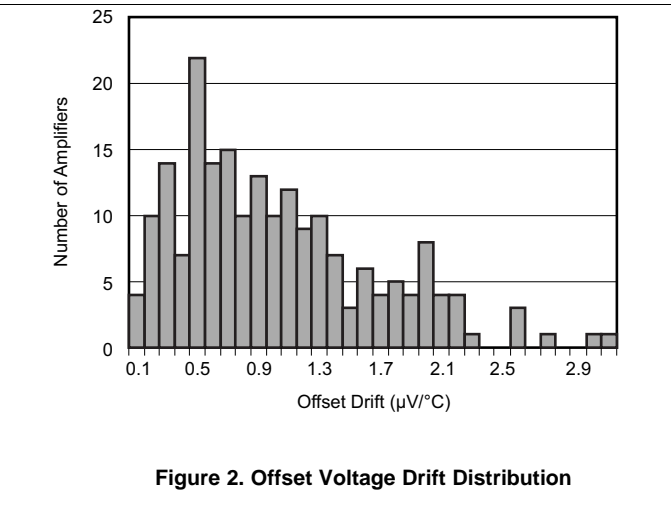
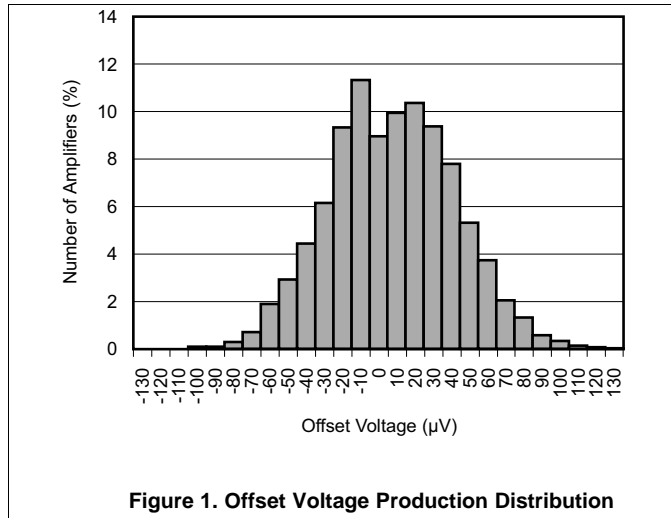
**Electrical Characteristics: (continued)**

$V_S = 1.8$  to  $5.5$  V or  $\pm 0.9$  V to  $\pm 2.75$  V; at  $T_A = 25^\circ\text{C}$ ,  $R_{(L)} = 10$  k $\Omega$  connected to  $V_S / 2$ ,  $V_{(CM)} = V_S / 2$ ,  $V_O = V_S / 2$  (unless otherwise noted)

PARAMETER		TEST CONDITIONS	MIN	TYP	MAX	UNIT
<b>OUTPUT</b>						
$V_O$	Voltage output swing from both rails	$R_{(L)} = 10$ k $\Omega$		10	20	mV
		$R_{(L)} = 10$ k $\Omega$ , $T_A = -40^\circ\text{C}$ to $125^\circ\text{C}$			30	
		$R_{(L)} = 2$ k $\Omega$		25	35	
		$R_{(L)} = 2$ k $\Omega$ , $T_A = -40^\circ\text{C}$ to $125^\circ\text{C}$			45	
$I_{(SC)}$	Short-circuit current	$V_S = 5.5$ V		$\pm 65$		mA
$C_{(L)}$	Capacitive load drive		See <a href="#">Typical Characteristics</a>			
	Open-loop output resistance	$I_O = 0$ mA, $f = 1$ MHz		90		$\Omega$
<b>POWER SUPPLY</b>						
$V_S$	Specified voltage range		1.8		5.5	V
$I_Q$	Quiescent current per amplifier	$I_O = 0$ mA, $V_S = 5.5$ V		1.45	1.6	mA
		$I_O = 0$ mA, $V_S = 5.5$ V, $T_A = -40^\circ\text{C}$ to $125^\circ\text{C}$			1.7	
	Power-on time	$V_{(V+)} = 0$ to $5$ V, to 90% $I_Q$ level		28		$\mu\text{s}$
<b>TEMPERATURE</b>						
	Specified range		$-40$		125	$^\circ\text{C}$
	Operating range		$-40$		150	$^\circ\text{C}$

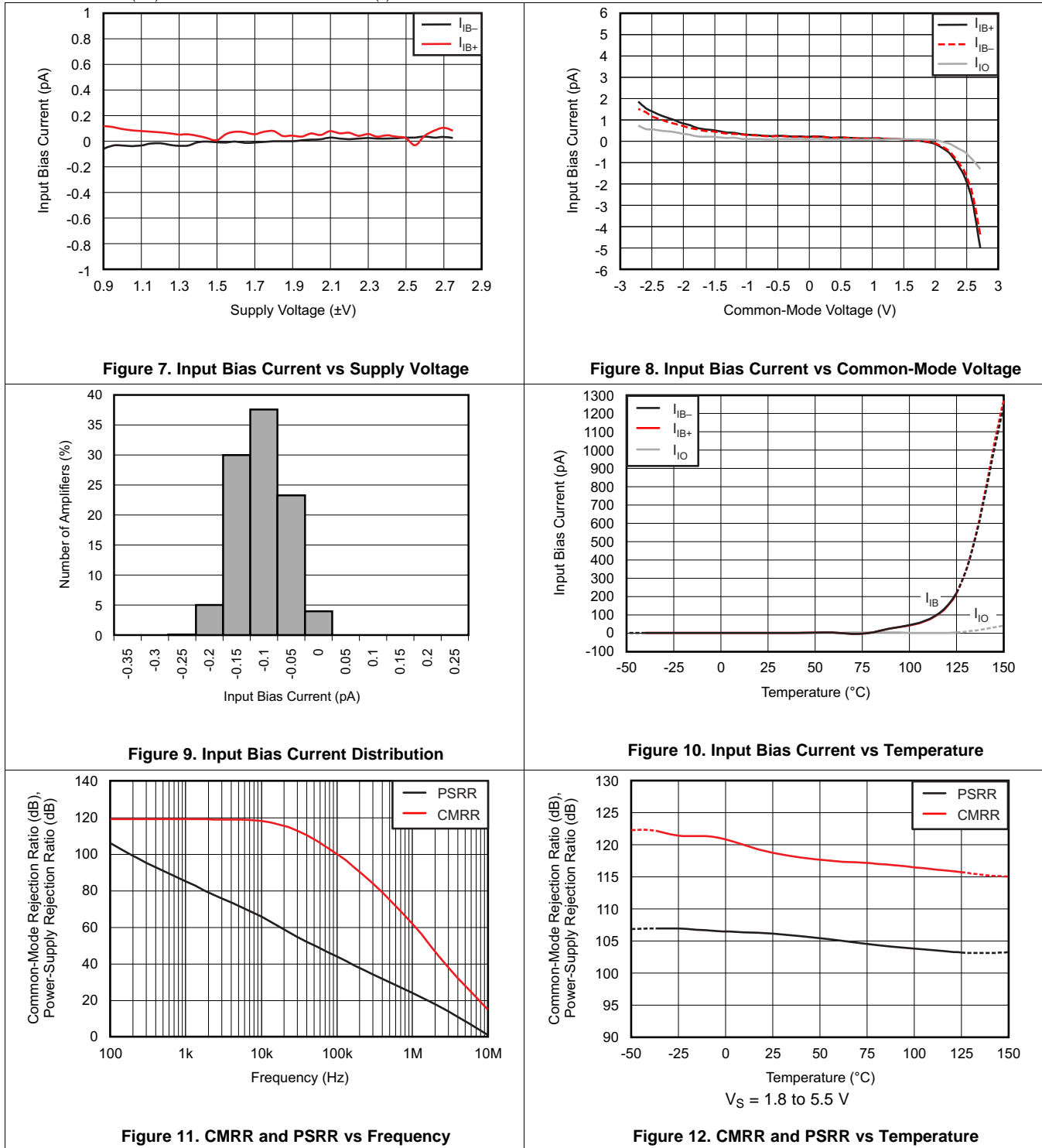
## 6.6 Typical Characteristics

at  $T_A = 25^\circ\text{C}$ ,  $V_{(CM)} = V_O = \text{mid-supply}$ , and  $R_{(L)} = 10\text{ k}\Omega$  (unless otherwise noted)



### Typical Characteristics (continued)

at  $T_A = 25^\circ\text{C}$ ,  $V_{(CM)} = V_O = \text{mid-supply}$ , and  $R_{(L)} = 10\text{ k}\Omega$  (unless otherwise noted)



Typical Characteristics (continued)

at  $T_A = 25^\circ\text{C}$ ,  $V_{(CM)} = V_O = \text{mid-supply}$ , and  $R_{(L)} = 10\text{ k}\Omega$  (unless otherwise noted)

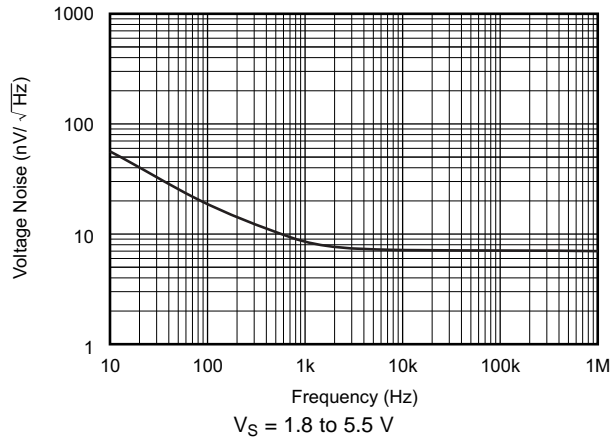


Figure 13. Input Voltage Noise Spectral Density vs Frequency

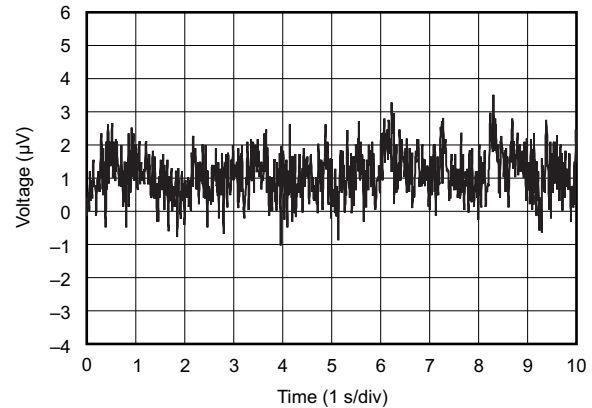


Figure 14. 0.1-Hz to 10-Hz Input Voltage Noise

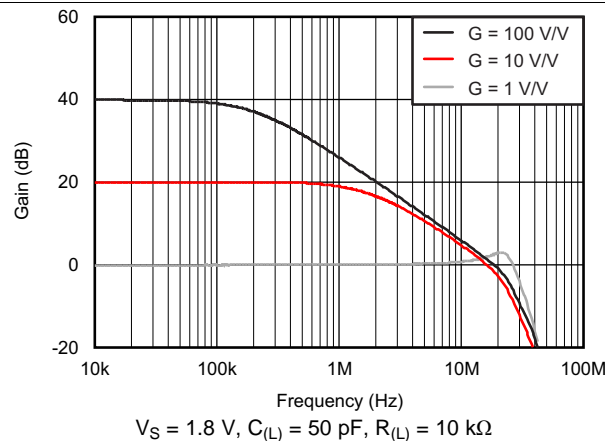


Figure 15. Closed-Loop Gain vs Frequency

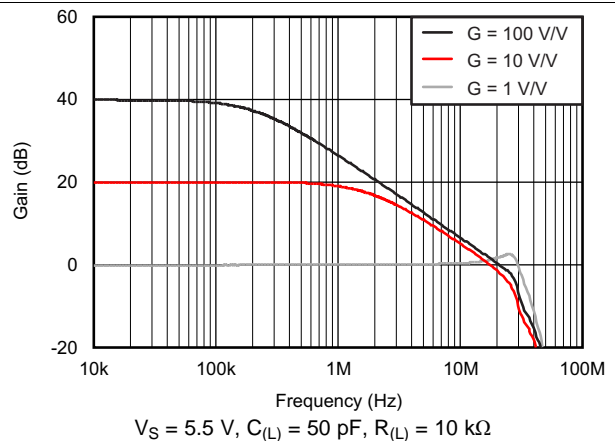


Figure 16. Closed-Loop Gain vs Frequency

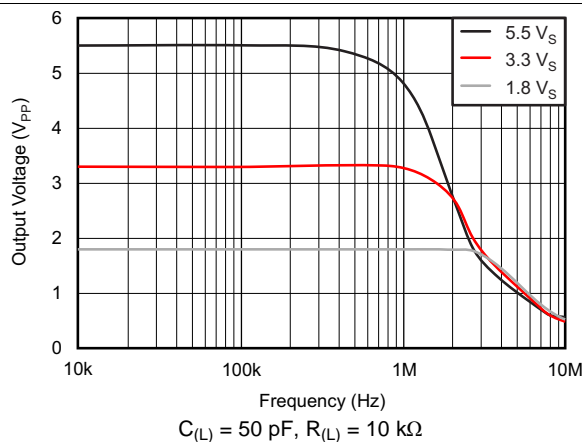


Figure 17. Maximum Output Voltage vs Frequency

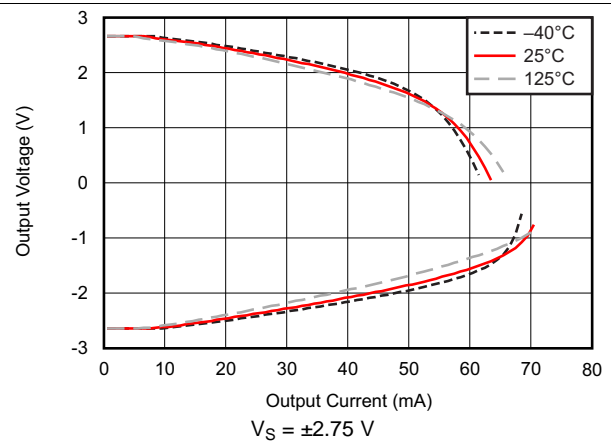


Figure 18. Output Voltage Swing vs Output Current

### Typical Characteristics (continued)

at  $T_A = 25^\circ\text{C}$ ,  $V_{(CM)} = V_O = \text{mid-supply}$ , and  $R_{(L)} = 10\text{ k}\Omega$  (unless otherwise noted)

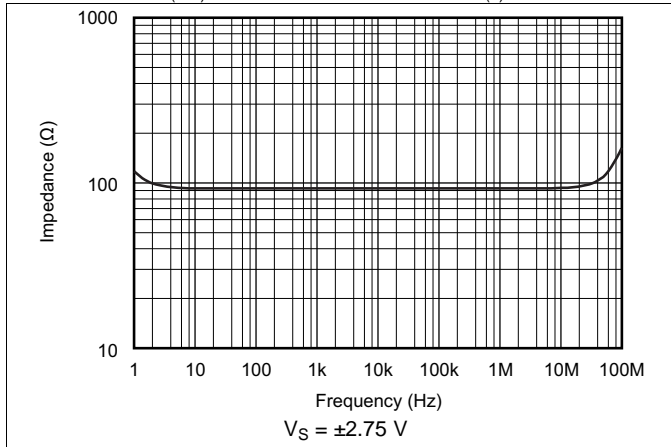


Figure 19. Open-Loop Output Impedance vs Frequency

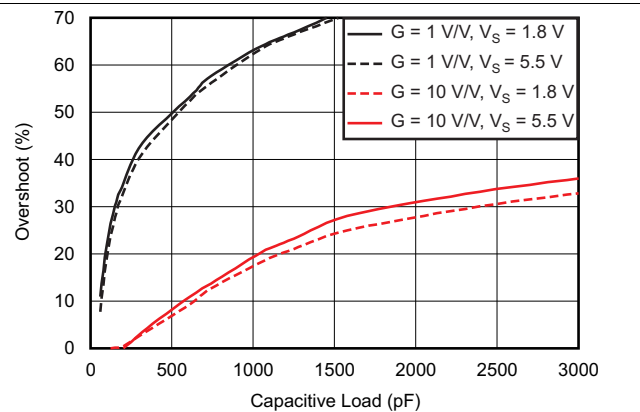


Figure 20. Small-Signal Overshoot vs Load Capacitance

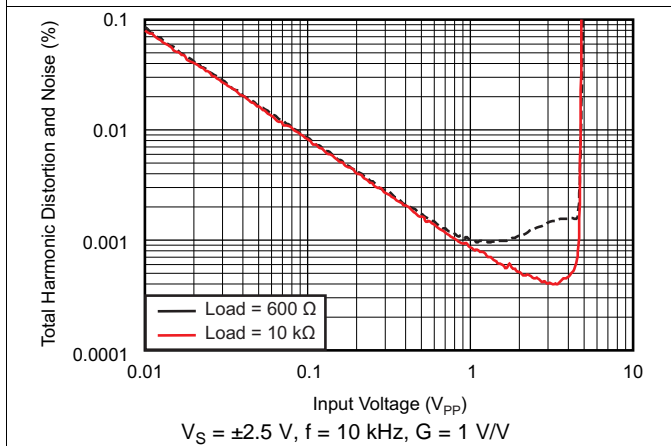


Figure 21. THD+N vs Amplitude

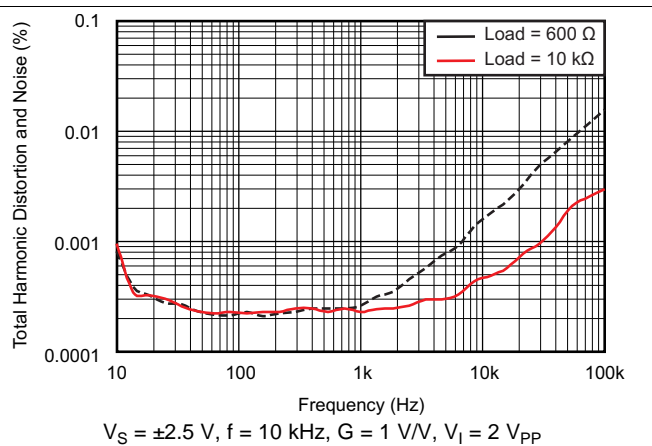


Figure 22. THD+N vs Frequency

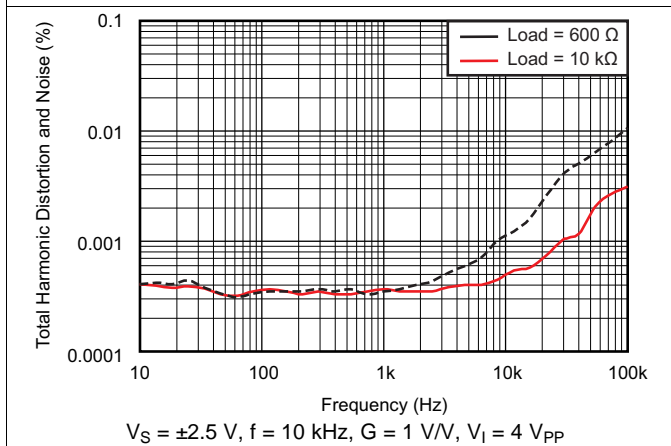


Figure 23. THD+N vs Frequency

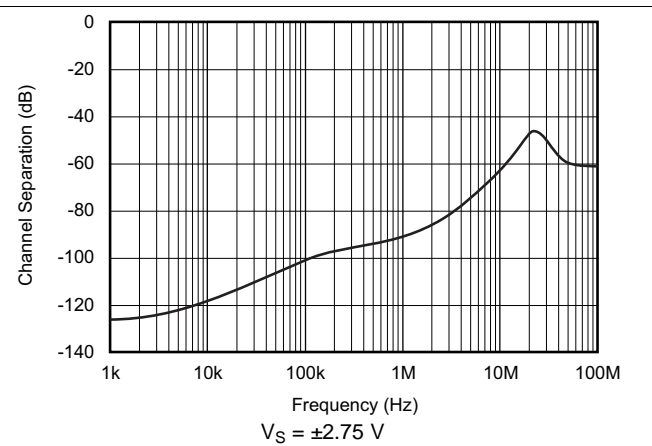
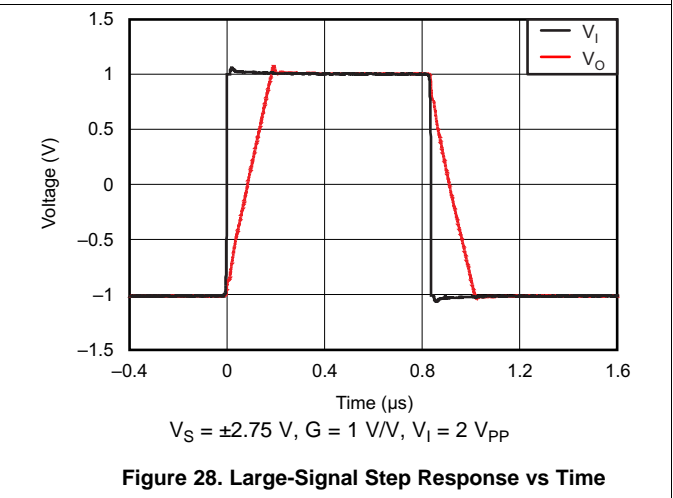
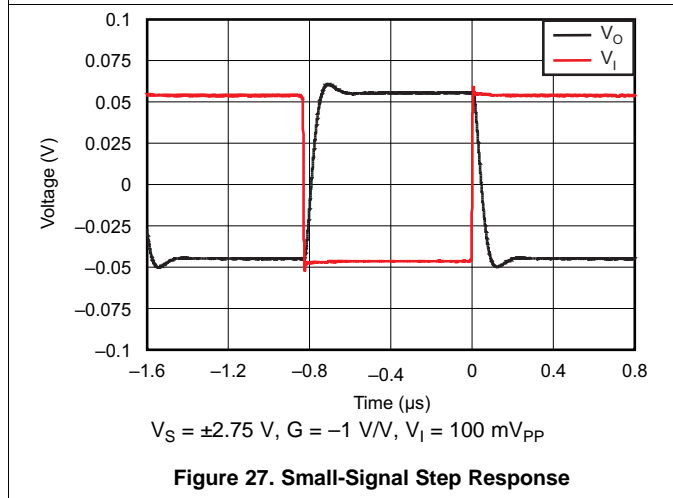
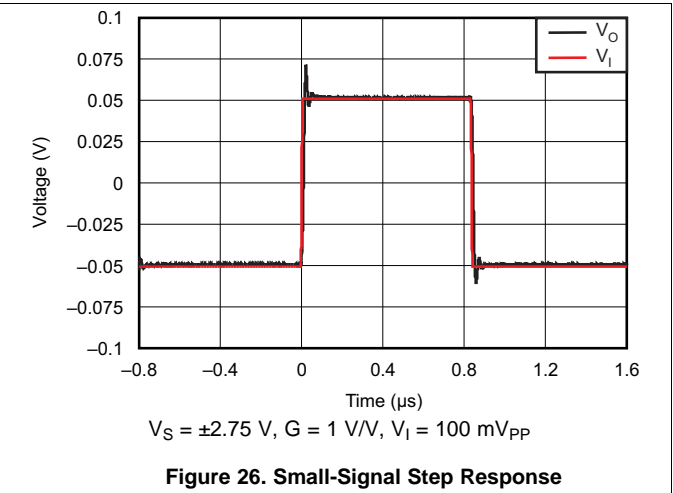
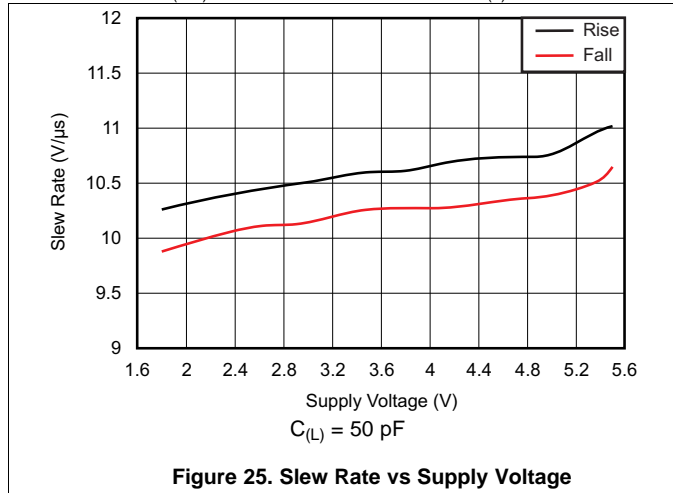


Figure 24. Channel Separation vs Frequency

Typical Characteristics (continued)

at  $T_A = 25^\circ\text{C}$ ,  $V_{(CM)} = V_O = \text{mid-supply}$ , and  $R_{(L)} = 10\text{ k}\Omega$  (unless otherwise noted)

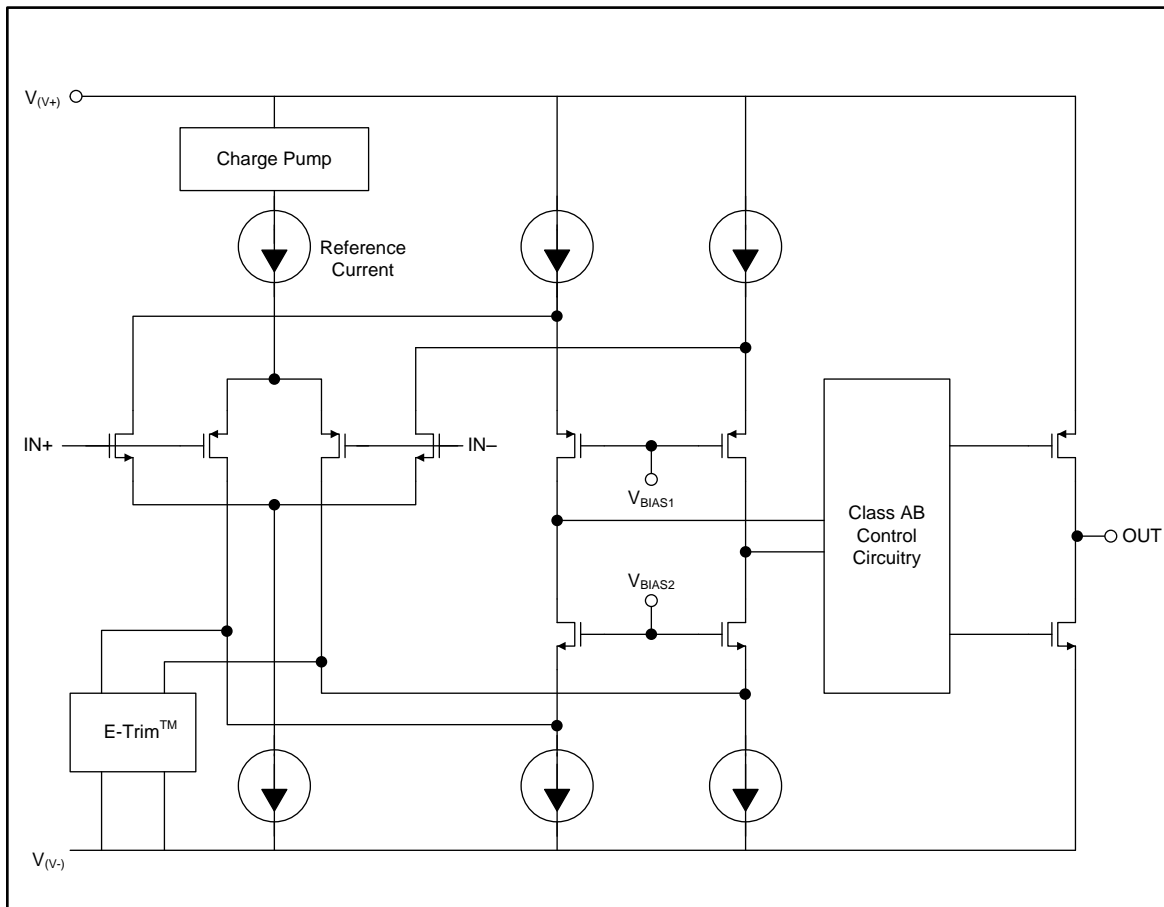


## 7 Detailed Description

### 7.1 Overview

The OPA320-Q1 and OPA2320-Q1 (OPAx320-Q1) operational amplifiers (op amps) are unity-gain stable and operate on a single-supply voltage (1.8 V to 5.5 V), or a split supply voltage ( $\pm 0.9$  V to  $\pm 2.75$  V), making these devices highly versatile and easy to use. The OPAx320-Q1 amplifiers are fully specified from 1.8 V to 5.5 V and over the extended temperature range of  $-40^{\circ}\text{C}$  to  $+125^{\circ}\text{C}$ . Parameters that can exhibit variance with regard to operating voltage or temperature are presented in the [Typical Characteristics](#) section.

### 7.2 Functional Block Diagram



## 7.3 Feature Description

### 7.3.1 Input and ESD Protection

The OPAx320-Q1 incorporate internal electrostatic discharge (ESD) protection circuits on all pins. In the case of input and output pins, this protection primarily consists of current-steering diodes connected between the input and power-supply pins. These ESD protection diodes also provide in-circuit input overdrive protection, provided that the current is limited to 10 mA, as stated in the [Absolute Maximum Ratings](#). Many input signals are inherently current-limited to less than 10 mA; therefore, a limiting resistor is not required. [Figure 29](#) shows how a series input resistor ( $R_{(S)}$ ) may be added to the driven input to limit the input current. The added resistor contributes thermal noise at the amplifier input and the value should be kept to the minimum in noise-sensitive applications.

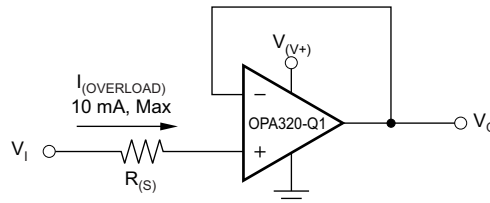
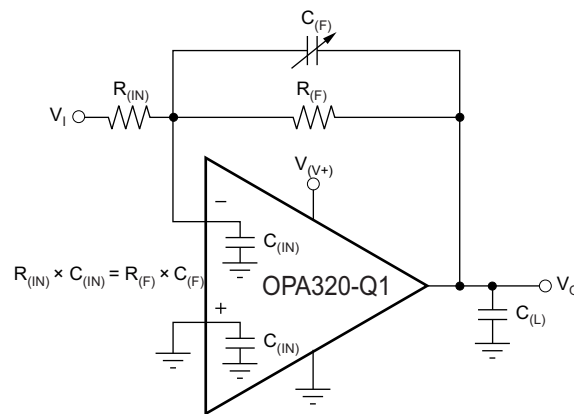


Figure 29. Input Current Protection

### 7.3.2 Feedback Capacitor Improves Response

For optimum settling time and stability with high-impedance feedback networks, adding a feedback capacitor across the feedback resistor,  $R_{(FB)}$ , as shown in [Figure 30](#) may be necessary. This capacitor compensates for the zero created by the feedback network impedance and the OPAx320-Q1 input capacitance (and any parasitic layout capacitance). The effect becomes more significant with higher impedance networks.



NOTE: Where  $C_{(IN)}$  is equal to the OPAx320-Q1 input capacitance (approximately 9 pF) plus any parasitic layout capacitance.

Figure 30. Feedback Capacitor Improves Dynamic Performance

It is suggested that a variable capacitor be used for the feedback capacitor because input capacitance may vary between op amps and layout capacitance is difficult to determine. For the circuit shown in [Figure 30](#), the value of the variable feedback capacitor should be chosen so that the input resistance times the input capacitance of the OPAx320-Q1 (9 pF, typical) plus the estimated parasitic layout capacitance equals the feedback capacitor times the feedback resistor:

$$R_{(IN)} \times C_{(IN)} = R_{(FB)} \times C_{(FB)}$$

Where:

- $C_{(IN)}$  is equal to the OPAx320-Q1 input capacitance (sum of differential and common-mode) plus the layout capacitance. (1)

The capacitor value can be adjusted until optimum performance is obtained.

## Feature Description (continued)

### 7.3.3 EMI Susceptibility And Input Filtering

Operational amplifiers vary in susceptibility to electromagnetic interference (EMI). If conducted EMI enters the operational amplifier, the DC offset observed at the amplifier output may shift from the nominal value while EMI is present. This shift is a result of signal rectification associated with the internal semiconductor junctions. While all operational amplifier pin functions can be affected by EMI, the input pins are likely to be the most susceptible. The OPAx320-Q1 operational amplifier family incorporates an internal input low-pass filter that reduces the amplifiers response to EMI. Both common-mode and differential mode filtering are provided by the input filter. The filter is designed for a cut-off frequency of approximately 580 MHz (–3 dB), with a roll-off of 20 dB per decade.

### 7.3.4 Output Impedance

The open-loop output impedance of the OPAx320-Q1 common-source output stage is approximately 90 Ω. When the op amp is connected with feedback, this value is reduced significantly by the loop gain. For example, with 130 dB (typical) of open-loop gain, the output impedance is reduced in unity-gain to less than 0.03 Ω. For each decade rise in the closed-loop gain, the loop gain is reduced by the same amount, which results in a ten-fold increase in effective output impedance. While the OPAx320-Q1 output impedance remains very flat over a wide frequency range, at higher frequencies the output impedance rises as the open-loop gain of the op amp drops. However, at these frequencies the output also becomes capacitive as a result of parasitic capacitance. This in turn prevents the output impedance from becoming too high, which can cause stability problems when driving large capacitive loads. As mentioned previously, the OPAx320-Q1 have excellent capacitive load drive capability for op amps with the bandwidth.

### 7.3.5 Capacitive Load and Stability

The OPAx320-Q1 are designed to be used in applications where driving a capacitive load is required. As with all op amps, there may be specific instances where the OPAx320-Q1 can become unstable. The particular op amp circuit configuration, layout, gain, and output loading are some of the factors to consider when establishing whether an amplifier is stable in operation. An op amp in the unity-gain (1 V/V) buffer configuration and driving a capacitive load exhibits a greater tendency to become unstable than an amplifier operated at a higher noise gain. The capacitive load, in conjunction with the op amp output resistance, creates a pole within the feedback loop that degrades the phase margin. The degradation of the phase margin increases as the capacitive loading increases. When operating in the unity-gain configuration, the OPAx320-Q1 remain stable with a pure capacitive load up to approximately 1 nF.

The equivalent series resistance (ESR) of some very large capacitors ( $C_{(L)} > 1 \mu\text{F}$ ) is sufficient to alter the phase characteristics in the feedback loop such that the amplifier remains stable. Increasing the amplifier closed-loop gain allows the amplifier to drive increasingly larger capacitance. This increased capability is evident when observing the overshoot response of the amplifier at higher voltage gains; see Figure 32. One technique for increasing the capacitive load drive capability of the amplifier operating in unity gain is to insert a small resistor ( $R_{(S)}$ ), typically 10 Ω to 20 Ω, in series with the output, as shown in Figure 31.

This resistor significantly reduces the overshoot and ringing associated with large capacitive loads. A possible problem with this technique is that a voltage divider is created with the added series resistor and any resistor connected in parallel with the capacitive load. The voltage divider introduces a gain error at the output that reduces the output swing. The error contributed by the voltage divider may be insignificant. For instance, with a load resistance,  $R_{(L)} = 10 \text{ k}\Omega$  and  $R_{(S)} = 20 \Omega$ , the gain error is only about 0.2%. However, when  $R_{(L)}$  is decreased to 600 Ω, which the OPAx320-Q1 are able to drive, the error increases to 7.5%.

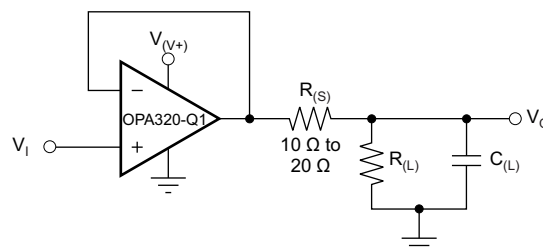


Figure 31. Improving Capacitive Load Drive

Feature Description (continued)

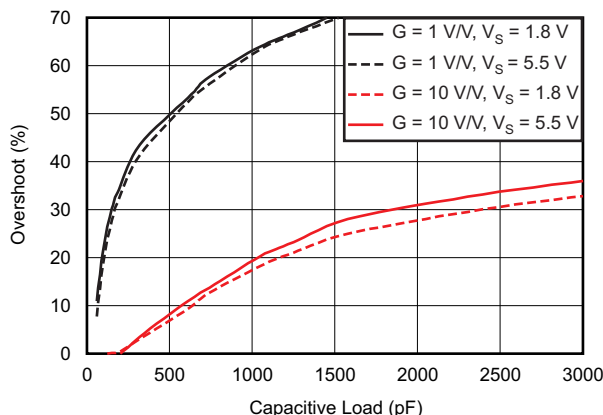


Figure 32. Small-Signal Overshoot versus Capacitive Load (100-mV<sub>pp</sub> Output Step)

7.3.6 Overload Recovery Time

Overload recovery time is the time it takes the output of the amplifier to come out of saturation and recover to the linear region. Overload recovery is particularly important in applications where small signals must be amplified in the presence of large transients. Figure 33 and Figure 34 show the positive and negative overload recovery times of the OPAx320-Q1, respectively. In both cases, the time elapsed before the OPAx320-Q1 come out of saturation is less than 100 ns. In addition, the symmetry between the positive and negative recovery times allows excellent signal rectification without distortion of the output signal.

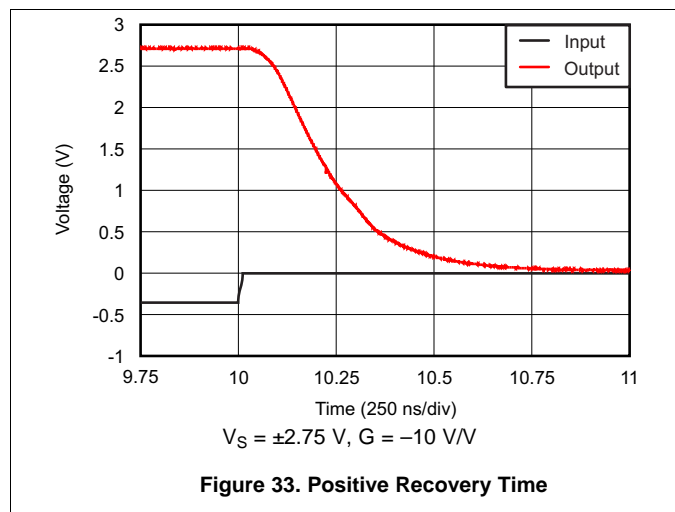


Figure 33. Positive Recovery Time

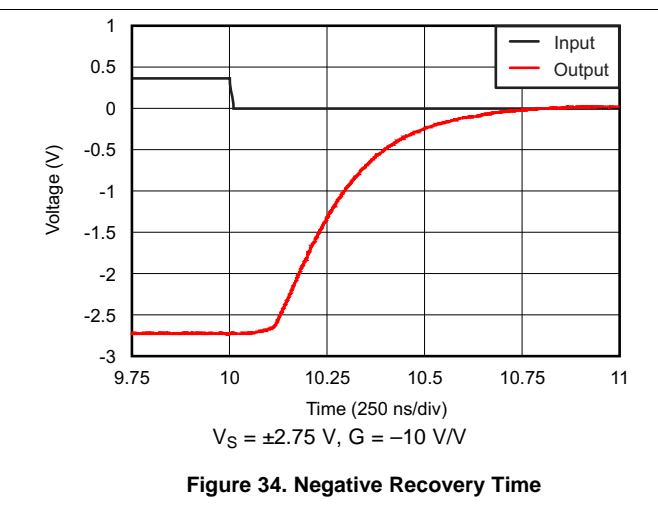


Figure 34. Negative Recovery Time

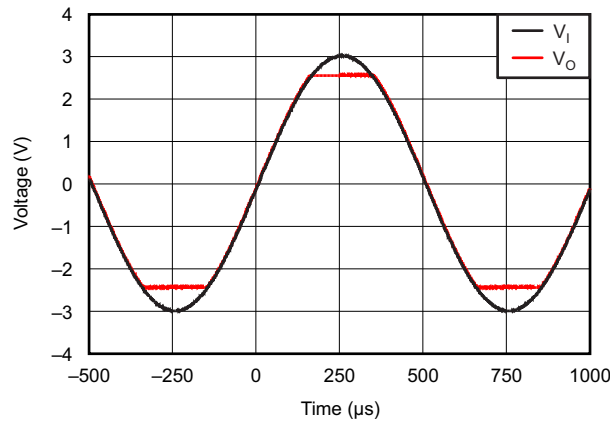
## 7.4 Device Functional Modes

### 7.4.1 Rail-to-Rail Input

The OPAx320-Q1 feature true rail-to-rail input operation, with supply voltages as low as  $\pm 0.9$  V (1.8 V). The design of the OPAx320-Q1 amplifiers include an internal charge-pump that powers the amplifier input stage with an internal supply rail at approximately 1.6 V above the external supply ( $V_+$ ). This internal supply rail allows the single differential input pair to operate and remain very linear over a very wide input common-mode range. A unique zero-crossover input topology eliminates the input offset transition region typical of many rail-to-rail, complementary input stage operational amplifiers. This topology allows the OPAx320-Q1 to provide superior common-mode performance ( $CMRR > 110$  dB, typical) over the entire common-mode input range, which extends 100 mV beyond both power-supply rails. When driving analog-to-digital converters (ADCs), the highly linear  $V_{(CM)}$  range of the OPAx320-Q1 provides maximum linearity and lowest distortion.

### 7.4.2 Phase Reversal

The OPAx320-Q1 op amps are designed to be immune to phase reversal when the input pins exceed the supply voltages, and thus provide further in-system stability and predictability. [Figure 35](#) shows the input voltage exceeding the supply voltage without any phase reversal.



$$V_S = \pm 2.5 \text{ V}$$

**Figure 35. No Phase Reversal**

## 8 Application and Implementation

### NOTE

Information in the following applications sections is not part of the TI component specification, and TI does not warrant its accuracy or completeness. TI's customers are responsible for determining suitability of components for their purposes. Customers should validate and test their design implementation to confirm system functionality.

### 8.1 Application Information

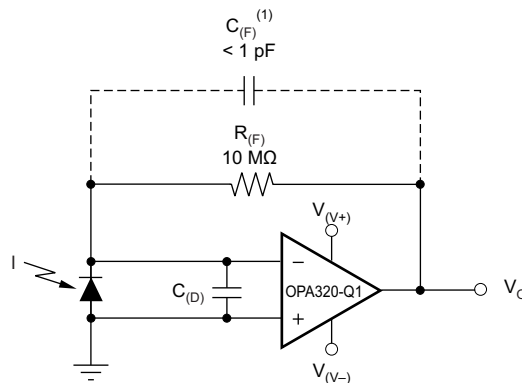
The OPAx320-Q1 can be used in a wide range of applications, such as transimpedance amplifiers, high-impedance sensors, active filters, and driving ADCs.

### 8.2 Typical Applications

#### 8.2.1 Transimpedance Amplifier

Wide gain bandwidth, low input bias current, low input voltage, and current noise make the OPAx320-Q1 an excellent wideband photodiode transimpedance amplifier. Low-voltage noise is important because photodiode capacitance causes the effective noise gain of the circuit to increase at high frequency.

The key elements to a transimpedance design, as shown in [Figure 36](#), are the expected diode capacitance ( $C_{(D)}$ ), which should include the parasitic input common-mode and differential-mode input capacitance (4 pF + 5 pF); the desired transimpedance gain ( $R_{(FB)}$ ); and the gain-bandwidth (GBW) for the OPAx320-Q1 (20 MHz). With these three variables set, the feedback capacitor value ( $C_{(FB)}$ ) can be set to control the frequency response.  $C_{(FB)}$  includes the stray capacitance of  $R_{(FB)}$ , which is 0.2 pF for a typical surface-mount resistor.



(1)  $C_{(FB)}$  is optional to prevent gain peaking.  $C_{(FB)}$  includes the stray capacitance of  $R_{(FB)}$ .

**Figure 36. Dual-Supply Transimpedance Amplifier**

#### 8.2.1.1 Design Requirements

PARAMETER	VALUE
Supply voltage $V_{(V+)}$	2.5 V
Supply voltage $V_{(V-)}$	-2.5 V

### 8.2.1.2 Detailed Design Procedure

To achieve a maximally-flat, second-order Butterworth frequency response, the feedback pole should be set to:

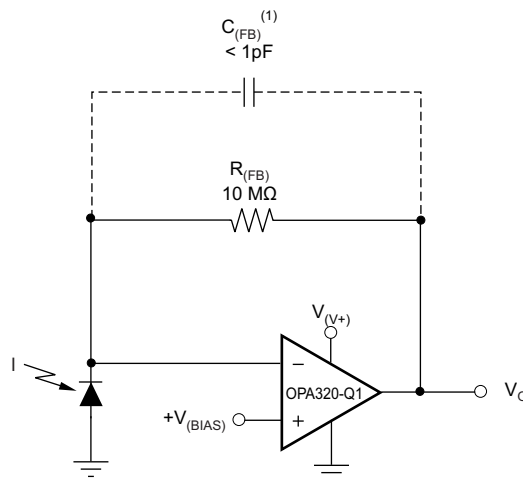
$$\frac{1}{2 \times \pi \times R_{(FB)} \times C_{(FB)}} = \sqrt{\frac{GBW}{4 \times \pi \times R_{(FB)} \times C_{(D)}}} \quad (2)$$

Use [Equation 3](#) to calculate the bandwidth.

$$f_{(-3 \text{ dB})} = \sqrt{\frac{GBW}{2 \times \pi \times R_{(FB)} \times C_{(D)}}} \quad (3)$$

For even higher transimpedance bandwidth, consider the high-speed CMOS [OPA380](#) (90-MHz GBW), [OPA354](#) (100-MHz GBW), [OPA300](#) (180-MHz GBW), [OPA355](#) (200-MHz GBW), and [OPA656](#) or [OPA657](#) (400-MHz GBW).

For single-supply applications, the +INx input can be biased with a positive dc voltage to allow the output to reach true zero when the photodiode is not exposed to any light, and respond without the added delay that results from coming out of the negative rail; this configuration is shown in [Figure 37](#). This bias voltage also appears across the photodiode, providing a reverse bias for faster operation.



(1)  $C_{(FB)}$  is optional to prevent gain peaking.  $C_{(FB)}$  includes the stray capacitance of  $R_{(FB)}$ .

**Figure 37. Single-Supply Transimpedance Amplifier**

For additional information, refer to the [Compensate Transimpedance Amplifiers Intuitively Application Report](#).

#### 8.2.1.2.1 Optimizing The Transimpedance Circuit

To achieve the best performance, components should be selected according to the following guidelines:

1. For lowest noise, select  $R_{(FB)}$  to create the total required gain. Using a lower value for  $R_{(FB)}$  and adding gain after the transimpedance amplifier generally produces poorer noise performance. The noise produced by  $R_{(FB)}$  increases with the square-root of  $R_{(FB)}$ , whereas the signal increases linearly. Therefore, signal-to-noise ratio improves when all the required gain is placed in the transimpedance stage.
2. Minimize photodiode capacitance and stray capacitance at the summing junction (inverting input). This capacitance causes the voltage noise of the op amp to be amplified (increasing amplification at high frequency). Using a low-noise voltage source to reverse-bias a photodiode can significantly reduce the capacitance. Smaller photodiodes have lower capacitance. Use optics to concentrate light on a small photodiode.
3. Noise increases with increased bandwidth. Limit the circuit bandwidth to only that required. Use a capacitor across the  $R_{(FB)}$  to limit bandwidth, even if not required for stability.

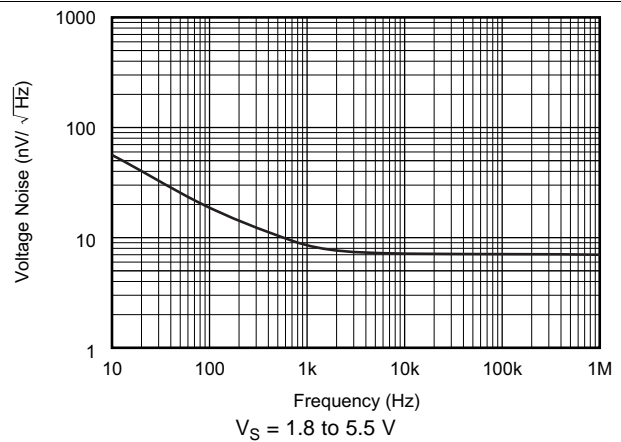
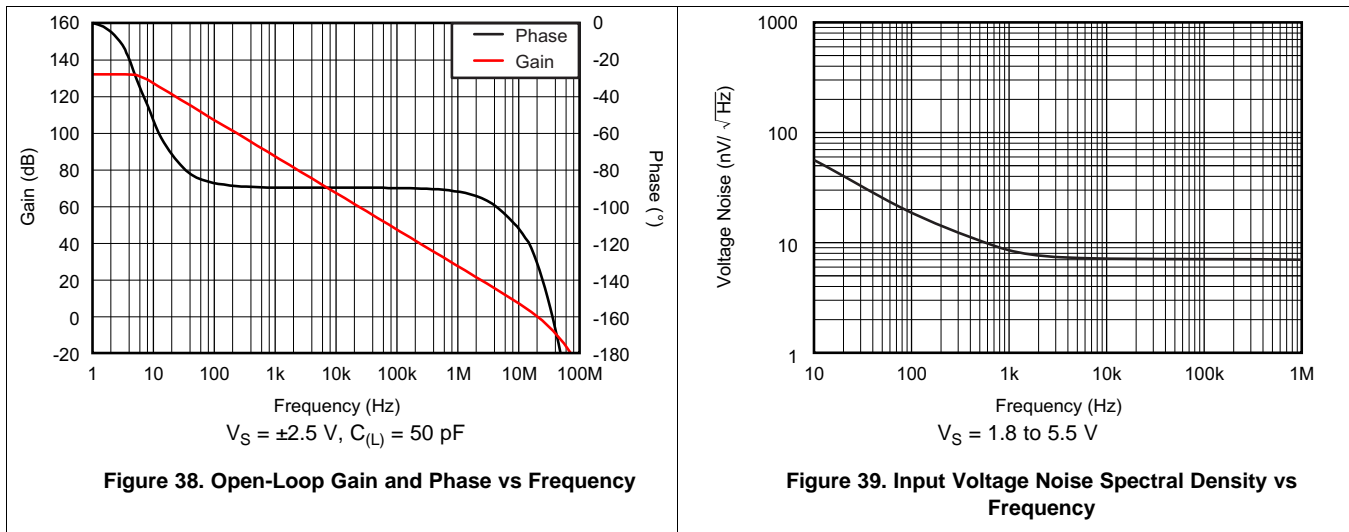
- Circuit board leakage can degrade the performance of an otherwise well-designed amplifier. Clean the circuit board carefully. A circuit board guard trace that encircles the summing junction and is driven at the same voltage can help control leakage.

For additional information, refer to the following documents:

- Texas Instruments, [Noise Analysis of FET Transimpedance Amplifiers Application Bulletin](#)
- Texas Instruments, [Noise Analysis for High-Speed Op Amps Application Report](#)

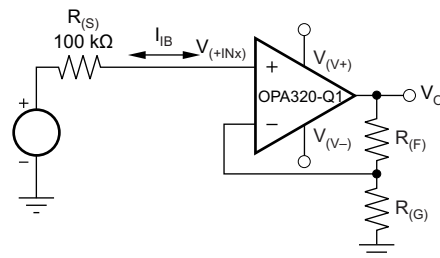
### 8.2.1.3 Application Curves

Wide gain bandwidth as shown in Figure 38 and low input voltage noise as shown in Figure 39 make the OPAx320-Q1 device an excellent wideband photodiode transimpedance amplifier.



### 8.2.2 High-Impedance Sensor Interface

Many sensors have high source impedances that may range up to 10 MΩ, or even higher. The output signal of sensors often must be amplified or otherwise conditioned by means of an amplifier. The input bias current of this amplifier can load the sensor output and cause a voltage drop across the source resistance, as shown in Figure 40, where  $V_{(+INX)} = V_S - I_{(BIAS)} \times R_{(S)}$ . The last term,  $I_{(BIAS)} \times R_{(S)}$ , shows the voltage drop across  $R_{(S)}$ . To prevent errors introduced to the system as a result of this voltage, an op amp with very low input bias current must be used with high impedance sensors. This low current keeps the error contribution by  $I_{(BIAS)} \times R_{(S)}$  less than the input voltage noise of the amplifier, so that it does not become the dominant noise factor. The OPAx320-Q1 series of op amps feature very low input bias current (typically 200 fA), and are therefore excellent choices for such applications.

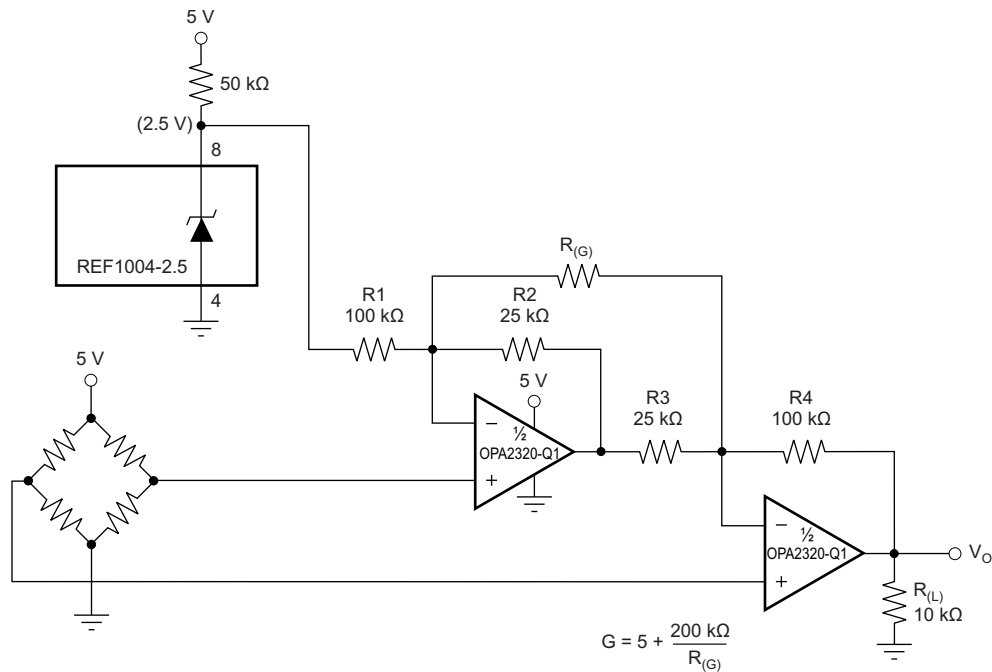


**Figure 40. Noise as a Result of  $I_{(BIAS)}$**

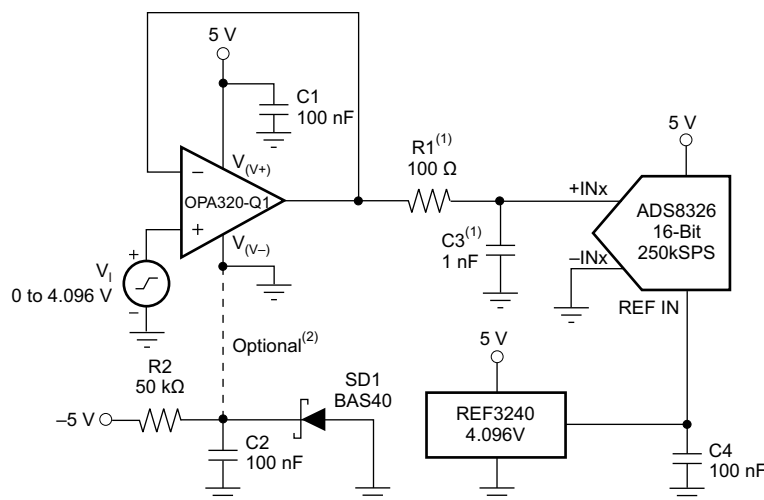
### 8.2.3 Driving ADCs

The OPAx320-Q1 series op amps are an excellent choice for driving sampling analog-to-digital converters (ADCs) with sampling speeds up to 1 MSPS. The zero-crossover distortion input stage topology allows the OPAx320-Q1 to drive ADCs without degradation of differential linearity and THD.

The OPAx320-Q1 can be used to buffer the ADC switched input capacitance and resulting charge injection while providing signal gain. Figure 42 shows the OPAx320-Q1 configured to drive the ADS8326.



**Figure 41. Two Op-Amp Instrumentation Amplifier With Improved High-Frequency Common-Mode Rejection**



(1) Suggested value; may require adjustment based on specific application.

(2) Single-supply applications lose a small number of ADC codes near ground as a result of op amp output swing limitation. If a negative power supply is available, this simple circuit creates a -0.3-V supply to allow output swing to true ground potential.

**Figure 42. Driving the ADS8326**

### 8.2.4 Active Filter

The OPAx320-Q1 is an excellent choice for active filter applications that require a wide bandwidth, fast slew rate, low-noise, single-supply operational amplifier. Figure 43 shows a 500 kHz, second-order, low-pass filter using the multiple-feedback (MFB) topology. The components have been selected to provide a maximally-flat Butterworth response. Beyond the cutoff frequency, roll-off is  $-40$  dB/dec. The Butterworth response is excellent for applications requiring predictable gain characteristics, such as the antialiasing filter used in front of an ADC.

One point to observe when considering the MFB filter is that the output is inverted, relative to the input. If this inversion is not required, or not desired, a noninverting output can be achieved through one of the following options:

1. adding an inverting amplifier
2. adding an additional second-order MFB stage
3. using a noninverting filter topology, such as the Sallen-Key

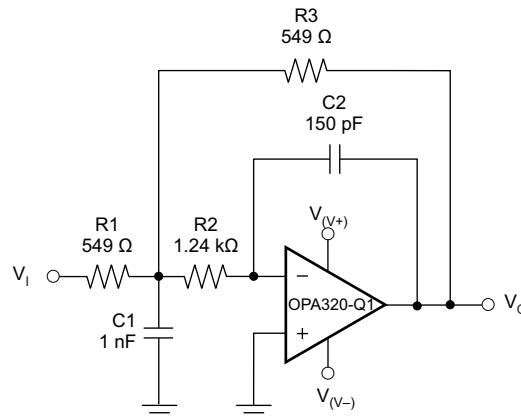


Figure 43. Second-Order Butterworth 500-kHz Low-Pass Filter

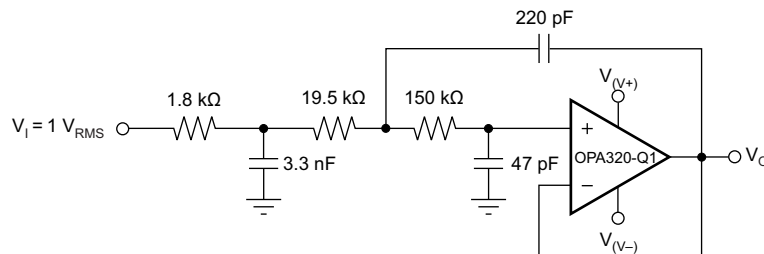


Figure 44. OPAx320-Q1 Configured as a Three-Pole, 20-kHz, Sallen-Key Filter

## 9 Power Supply Recommendations

The OPAx320-Q1 are specified for operation from 1.8 V to 5.5 V ( $\pm 0.9$  V to  $\pm 2.75$  V); many specifications apply from  $-40^{\circ}\text{C}$  to  $+125^{\circ}\text{C}$ . Parameters that can exhibit significant variance with regard to operating voltage or temperature are presented in the [Typical Characteristics](#) section.

### CAUTION

Supply voltages larger than 6 V can permanently damage the device (see the [Absolute Maximum Ratings](#) table).

Place 0.1- $\mu\text{F}$  bypass capacitors close to the power-supply pins to reduce errors coupling in from noisy or high-impedance power supplies. For more detailed information on bypass capacitor placement, see the [Layout Guidelines](#) section.

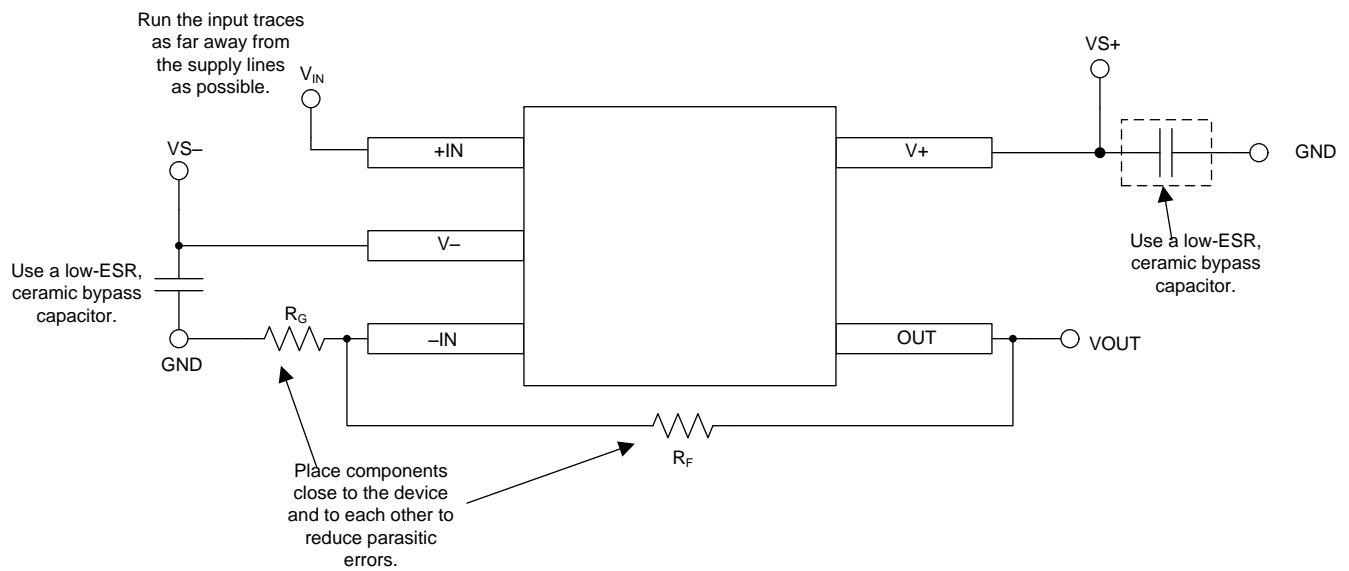
## 10 Layout

### 10.1 Layout Guidelines

For best operational performance of the device, use good PCB layout practices, including:

- Noise can propagate into analog circuitry through the power pins of the circuit as a whole and operational amplifier itself. Bypass capacitors are used to reduce the coupled noise by providing low-impedance power sources local to the analog circuitry.
  - Connect low-ESR, 0.1- $\mu\text{F}$  ceramic bypass capacitors between each supply pin and ground, placed as close to the device as possible. A single bypass capacitor from V+ to ground is applicable for single-supply applications.
- Separate grounding for analog and digital portions of circuitry is one of the simplest and most-effective methods of noise suppression. One or more layers on multilayer PCBs are usually devoted to ground planes. A ground plane helps distribute heat and reduces EMI noise pickup. Make sure to physically separate digital and analog grounds, paying attention to the flow of the ground current. For more detailed information, refer to the [Circuit Board Layout Techniques Application Report](#).
- To reduce parasitic coupling, run the input traces as far away from the supply or output traces as possible. If it is not possible to keep them separate, it is much better to cross the sensitive trace perpendicular as opposed to in parallel with the noisy trace.
- Place the external components as close to the device as possible. As shown in [Figure 45](#), keeping RF and RG close to the inverting input will minimize parasitic capacitance.
- Keep the length of input traces as short as possible. Always remember that the input traces are the most sensitive part of the circuit.
- Consider a driven, low-impedance guard ring around the critical traces. A guard ring can significantly reduce leakage currents from nearby traces that are at different potentials.

## 10.2 Layout Example



Copyright © 2016, Texas Instruments Incorporated

**Figure 45. Operational Amplifier Board Layout for Noninverting Configuration**

## 11 Device and Documentation Support

### 11.1 Device Support

#### 11.1.1 Development Support

For related documentation see the following:

- Texas Instruments, [ADS8326 16-Bit, High-Speed, 2.7V to 5.5V microPower Sampling Analog-to-Digital Converter Data Sheet](#)
- Texas Instruments, [Compensate Transimpedance Amplifiers Intuitively Application Report](#)
- Texas Instruments, [Noise Analysis of FET Transimpedance Amplifiers Application Bulletin](#)
- Texas Instruments, [Noise Analysis for High-Speed Op Amps Application Report](#)
- Texas Instruments, [OPAx380 Precision, High-Speed Transimpedance Amplifier Data Sheet](#)
- Texas Instruments, [OPAx354 250MHz, Rail-to-Rail I/O, CMOS Operational Amplifiers Data Sheet](#)
- Texas Instruments, [OPAx355 200MHz, CMOS Operational Amplifier With Shutdown Data Sheet](#)
- Texas Instruments, [OPA656 Wideband, Unity-Gain Stable, FET-Input Operational Amplifier Data Sheet](#)

#### 11.2 Related Links

[Table 1](#) lists quick access links. Categories include technical documents, support and community resources, tools and software, and quick access to sample or buy.

**Table 1. Related Links**

PARTS	PRODUCT FOLDER	SAMPLE & BUY	TECHNICAL DOCUMENTS	TOOLS & SOFTWARE	SUPPORT & COMMUNITY
OPA320-Q1	<a href="#">Click here</a>	<a href="#">Click here</a>	<a href="#">Click here</a>	<a href="#">Click here</a>	<a href="#">Click here</a>
OPA2320-Q1	<a href="#">Click here</a>	<a href="#">Click here</a>	<a href="#">Click here</a>	<a href="#">Click here</a>	<a href="#">Click here</a>

#### 11.3 Receiving Notification of Documentation Updates

To receive notification of documentation updates, navigate to the device product folder on ti.com. In the upper right corner, click on *Alert me* to register and receive a weekly digest of any product information that has changed. For change details, review the revision history included in any revised document.

#### 11.4 Community Resources

The following links connect to TI community resources. Linked contents are provided "AS IS" by the respective contributors. They do not constitute TI specifications and do not necessarily reflect TI's views; see TI's [Terms of Use](#).

**TI E2E™ Online Community** *TI's Engineer-to-Engineer (E2E) Community*. Created to foster collaboration among engineers. At [e2e.ti.com](http://e2e.ti.com), you can ask questions, share knowledge, explore ideas and help solve problems with fellow engineers.

**Design Support** *TI's Design Support* Quickly find helpful E2E forums along with design support tools and contact information for technical support.

#### 11.5 Trademarks

E2E is a trademark of Texas Instruments.  
All other trademarks are the property of their respective owners.

#### 11.6 Electrostatic Discharge Caution



This integrated circuit can be damaged by ESD. Texas Instruments recommends that all integrated circuits be handled with appropriate precautions. Failure to observe proper handling and installation procedures can cause damage.

ESD damage can range from subtle performance degradation to complete device failure. Precision integrated circuits may be more susceptible to damage because very small parametric changes could cause the device not to meet its published specifications.

## 11.7 Glossary

[SLYZ022](#) — *TI Glossary*.

This glossary lists and explains terms, acronyms, and definitions.

## 12 Mechanical, Packaging, and Orderable Information

The following pages include mechanical, packaging, and orderable information. This information is the most current data available for the designated devices. This data is subject to change without notice and revision of this document. For browser-based versions of this data sheet, refer to the left-hand navigation.

**PACKAGING INFORMATION**

Orderable part number	Status (1)	Material type (2)	Package   Pins	Package qty   Carrier	RoHS (3)	Lead finish/ Ball material (4)	MSL rating/ Peak reflow (5)	Op temp (°C)	Part marking (6)
<a href="#">OPA2320AQDGKRQ1</a>	Active	Production	VSSOP (DGK)   8	2500   LARGE T&R	Yes	NIPDAU   NIPDAUAG	Level-2-260C-1 YEAR	-40 to 125	ZAEV
OPA2320AQDGKRQ1.A	Active	Production	VSSOP (DGK)   8	2500   LARGE T&R	Yes	NIPDAUAG	Level-2-260C-1 YEAR	-40 to 125	ZAEV
<a href="#">OPA320AQDBVRQ1</a>	Active	Production	SOT-23 (DBV)   5	3000   LARGE T&R	Yes	NIPDAU   SN	Level-2-260C-1 YEAR	-40 to 125	15DD
OPA320AQDBVRQ1.B	Active	Production	SOT-23 (DBV)   5	3000   LARGE T&R	Yes	NIPDAU	Level-2-260C-1 YEAR	-40 to 125	15DD
<a href="#">OPA320AQDBVRQ1G4</a>	Active	Production	SOT-23 (DBV)   5	3000   LARGE T&R	Yes	NIPDAU	Level-2-260C-1 YEAR	-40 to 125	15DD
OPA320AQDBVRQ1G4.B	Active	Production	SOT-23 (DBV)   5	3000   LARGE T&R	Yes	NIPDAU	Level-2-260C-1 YEAR	-40 to 125	15DD
<a href="#">OPA320AQDBVTQ1</a>	Active	Production	SOT-23 (DBV)   5	250   SMALL T&R	Yes	NIPDAU   SN	Level-2-260C-1 YEAR	-40 to 125	15DD
OPA320AQDBVTQ1.B	Active	Production	SOT-23 (DBV)   5	250   SMALL T&R	Yes	NIPDAU	Level-2-260C-1 YEAR	-40 to 125	15DD

(1) **Status:** For more details on status, see our [product life cycle](#).

(2) **Material type:** When designated, preproduction parts are prototypes/experimental devices, and are not yet approved or released for full production. Testing and final process, including without limitation quality assurance, reliability performance testing, and/or process qualification, may not yet be complete, and this item is subject to further changes or possible discontinuation. If available for ordering, purchases will be subject to an additional waiver at checkout, and are intended for early internal evaluation purposes only. These items are sold without warranties of any kind.

(3) **RoHS values:** Yes, No, RoHS Exempt. See the [TI RoHS Statement](#) for additional information and value definition.

(4) **Lead finish/Ball material:** Parts may have multiple material finish options. Finish options are separated by a vertical ruled line. Lead finish/Ball material values may wrap to two lines if the finish value exceeds the maximum column width.

(5) **MSL rating/Peak reflow:** The moisture sensitivity level ratings and peak solder (reflow) temperatures. In the event that a part has multiple moisture sensitivity ratings, only the lowest level per JEDEC standards is shown. Refer to the shipping label for the actual reflow temperature that will be used to mount the part to the printed circuit board.

(6) **Part marking:** There may be an additional marking, which relates to the logo, the lot trace code information, or the environmental category of the part.

Multiple part markings will be inside parentheses. Only one part marking contained in parentheses and separated by a "-" will appear on a part. If a line is indented then it is a continuation of the previous line and the two combined represent the entire part marking for that device.

**Important Information and Disclaimer:** The information provided on this page represents TI's knowledge and belief as of the date that it is provided. TI bases its knowledge and belief on information provided by third parties, and makes no representation or warranty as to the accuracy of such information. Efforts are underway to better integrate information from third parties. TI has taken and continues to take reasonable steps to provide representative and accurate information but may not have conducted destructive testing or chemical analysis on incoming materials and chemicals. TI and TI suppliers consider certain information to be proprietary, and thus CAS numbers and other limited information may not be available for release.

In no event shall TI's liability arising out of such information exceed the total purchase price of the TI part(s) at issue in this document sold by TI to Customer on an annual basis.

**OTHER QUALIFIED VERSIONS OF OPA2320-Q1, OPA320-Q1 :**

- Catalog : [OPA2320](#), [OPA320](#)

NOTE: Qualified Version Definitions:

- Catalog - TI's standard catalog product

**TAPE AND REEL INFORMATION**

**QUADRANT ASSIGNMENTS FOR PIN 1 ORIENTATION IN TAPE**


\*All dimensions are nominal

Device	Package Type	Package Drawing	Pins	SPQ	Reel Diameter (mm)	Reel Width W1 (mm)	A0 (mm)	B0 (mm)	K0 (mm)	P1 (mm)	W (mm)	Pin1 Quadrant
OPA2320AQDGKRQ1	VSSOP	DGK	8	2500	330.0	12.4	5.3	3.4	1.4	8.0	12.0	Q1
OPA320AQDBVRQ1	SOT-23	DBV	5	3000	180.0	8.4	3.2	3.2	1.4	4.0	8.0	Q3
OPA320AQDBVRQ1	SOT-23	DBV	5	3000	178.0	9.0	3.3	3.2	1.4	4.0	8.0	Q3
OPA320AQDBVRQ1G4	SOT-23	DBV	5	3000	178.0	9.0	3.3	3.2	1.4	4.0	8.0	Q3
OPA320AQDBVTQ1	SOT-23	DBV	5	250	178.0	9.0	3.23	3.17	1.37	4.0	8.0	Q3
OPA320AQDBVTQ1	SOT-23	DBV	5	250	180.0	8.4	3.2	3.2	1.4	4.0	8.0	Q3

**TAPE AND REEL BOX DIMENSIONS**


\*All dimensions are nominal

Device	Package Type	Package Drawing	Pins	SPQ	Length (mm)	Width (mm)	Height (mm)
OPA2320AQDGKRQ1	VSSOP	DGK	8	2500	366.0	364.0	50.0
OPA320AQDBVRQ1	SOT-23	DBV	5	3000	210.0	185.0	35.0
OPA320AQDBVRQ1	SOT-23	DBV	5	3000	180.0	180.0	18.0
OPA320AQDBVRQ1G4	SOT-23	DBV	5	3000	180.0	180.0	18.0
OPA320AQDBVTQ1	SOT-23	DBV	5	250	180.0	180.0	18.0
OPA320AQDBVTQ1	SOT-23	DBV	5	250	210.0	185.0	35.0





# EXAMPLE STENCIL DESIGN

DBV0005A

SOT-23 - 1.45 mm max height

SMALL OUTLINE TRANSISTOR



SOLDER PASTE EXAMPLE  
BASED ON 0.125 mm THICK STENCIL  
SCALE:15X

4214839/K 08/2024

NOTES: (continued)

8. Laser cutting apertures with trapezoidal walls and rounded corners may offer better paste release. IPC-7525 may have alternate design recommendations.
9. Board assembly site may have different recommendations for stencil design.

# DGK0008A



# PACKAGE OUTLINE

VSSOP - 1.1 mm max height

SMALL OUTLINE PACKAGE



4214862/A 04/2023

**NOTES:**

PowerPAD is a trademark of Texas Instruments.

1. All linear dimensions are in millimeters. Any dimensions in parenthesis are for reference only. Dimensioning and tolerancing per ASME Y14.5M.
2. This drawing is subject to change without notice.
3. This dimension does not include mold flash, protrusions, or gate burrs. Mold flash, protrusions, or gate burrs shall not exceed 0.15 mm per side.
4. This dimension does not include interlead flash. Interlead flash shall not exceed 0.25 mm per side.
5. Reference JEDEC registration MO-187.

# EXAMPLE BOARD LAYOUT

DGK0008A

™ VSSOP - 1.1 mm max height

SMALL OUTLINE PACKAGE



LAND PATTERN EXAMPLE  
EXPOSED METAL SHOWN  
SCALE: 15X



SOLDER MASK DETAILS

4214862/A 04/2023

NOTES: (continued)

6. Publication IPC-7351 may have alternate designs.
7. Solder mask tolerances between and around signal pads can vary based on board fabrication site.
8. Vias are optional depending on application, refer to device data sheet. If any vias are implemented, refer to their locations shown on this view. It is recommended that vias under paste be filled, plugged or tented.
9. Size of metal pad may vary due to creepage requirement.

# EXAMPLE STENCIL DESIGN

DGK0008A

™ VSSOP - 1.1 mm max height

SMALL OUTLINE PACKAGE



SOLDER PASTE EXAMPLE  
SCALE: 15X

4214862/A 04/2023

NOTES: (continued)

11. Laser cutting apertures with trapezoidal walls and rounded corners may offer better paste release. IPC-7525 may have alternate design recommendations.
12. Board assembly site may have different recommendations for stencil design.

## IMPORTANT NOTICE AND DISCLAIMER

TI PROVIDES TECHNICAL AND RELIABILITY DATA (INCLUDING DATASHEETS), DESIGN RESOURCES (INCLUDING REFERENCE DESIGNS), APPLICATION OR OTHER DESIGN ADVICE, WEB TOOLS, SAFETY INFORMATION, AND OTHER RESOURCES "AS IS" AND WITH ALL FAULTS, AND DISCLAIMS ALL WARRANTIES, EXPRESS AND IMPLIED, INCLUDING WITHOUT LIMITATION ANY IMPLIED WARRANTIES OF MERCHANTABILITY, FITNESS FOR A PARTICULAR PURPOSE OR NON-INFRINGEMENT OF THIRD PARTY INTELLECTUAL PROPERTY RIGHTS.

These resources are intended for skilled developers designing with TI products. You are solely responsible for (1) selecting the appropriate TI products for your application, (2) designing, validating and testing your application, and (3) ensuring your application meets applicable standards, and any other safety, security, regulatory or other requirements.

These resources are subject to change without notice. TI grants you permission to use these resources only for development of an application that uses the TI products described in the resource. Other reproduction and display of these resources is prohibited. No license is granted to any other TI intellectual property right or to any third party intellectual property right. TI disclaims responsibility for, and you fully indemnify TI and its representatives against any claims, damages, costs, losses, and liabilities arising out of your use of these resources.

TI's products are provided subject to [TI's Terms of Sale](#), [TI's General Quality Guidelines](#), or other applicable terms available either on [ti.com](http://ti.com) or provided in conjunction with such TI products. TI's provision of these resources does not expand or otherwise alter TI's applicable warranties or warranty disclaimers for TI products. Unless TI explicitly designates a product as custom or customer-specified, TI products are standard, catalog, general purpose devices.

TI objects to and rejects any additional or different terms you may propose.

Copyright © 2026, Texas Instruments Incorporated

Last updated 10/2025