

DS90UB953A-Q1 125°C FPD-Link III 4.16Gbps Serializer with CSI-2 Interface for 2.3MP/60fps Cameras, Radar, and Other Sensors

1 Features

- AEC-Q100 (Grade 1) qualified for automotive applications:
 - Device temperature: –40°C to +125°C ambient operating temperature
- ISO 10605 and IEC 61000-4-2 ESD compliant
- Power-over-Coax (PoC) compatible transceiver
- 4.16Gbps grade serializer supports high-speed sensors including full HD 1080p 2.3MP 60fps and 4MP 30fps imagers
- D-PHY v1.2 and CSI-2 v1.3 compliant system interface
 - Up to 4 data lanes at 832Mbps per each lane
 - Supports up to four virtual channels
- Precision multi-camera clocking and synchronization
- Flexible programmable output clock generator
- Advanced data protection and diagnostics including CRC data protection, sensor data integrity check, I2C write protection, voltage and temperature measurement, programmable alarm, and line fault detection
- Supports Single-ended coaxial or shielded-twisted-pair (STP) cable
- Ultra-low latency bidirectional I2C and GPIO control channel enables ISP control from ECU
- Single 1.8V power supply
- Low (0.28W typical) power consumption
- **Functional Safety-Capable**
 - Documentation available to aid ISO 26262 system design
- Compatible with DS90UB954-Q1, DS90UB964-Q1, DS90UB962-Q1, DS90UB936-Q1, DS90UB960-Q1, DS90UB934-Q1, and DS90UB914A-Q1 deserializers
- Pin compatible with FPD-Link IV: DS90UB971-Q1 and FPD-Link III: DS90UB953-Q1, DS90UB935-Q1, DS90UB951-Q1 serializers

2 Applications

- Advanced driver assistance systems (ADAS)
 - Surround view system ECU
 - Front and rear cameras
 - Driver monitoring
 - Radar ECU
 - Mechanically scanning LIDAR
 - Time of flight (ToF) cameras
- Analog security cameras
- MRI, Ultrasound and X-ray systems
- Specialized imaging systems

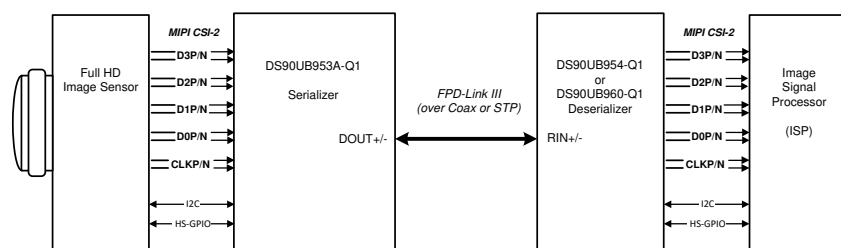
3 Description

The DS90UB953A-Q1 serializer is part of TI's FPD-Link III device family designed to support high-speed raw data sensors including 2.3MP imagers at 60fps and as well as 4MP, 30fps cameras, satellite RADAR, LIDAR, and Time-of-Flight (ToF) sensors. The device is fully AEC-Q100 (Grade 1) qualified with a –40°C to 125°C wide temperature range. The higher temperature enables more compact/flexible sensor module design for any small camera application. The chip delivers a 4.16Gbps forward channel and an ultra-low latency, 50Mbps bidirectional control channel and supports power over a single coax (PoC) or STP cable. The DS90UB953A-Q1 features advanced data protection and diagnostic features to support ADAS and autonomous driving. Together with a companion deserializer, the DS90UB953A-Q1 delivers precise multi-camera sensor clock and sensor synchronization.

Device Information

| PART NUMBER | PACKAGE ⁽¹⁾ | BODY SIZE (NOM) ⁽²⁾ |
|---------------|------------------------|--------------------------------|
| DS90UB953A-Q1 | VQFN (32) | 5.00mm × 5.00mm |

- (1) For all available packages, see the orderable addendum at the end of the data sheet.
- (2) The package size (length × width) is a nominal value and includes pins, where applicable.



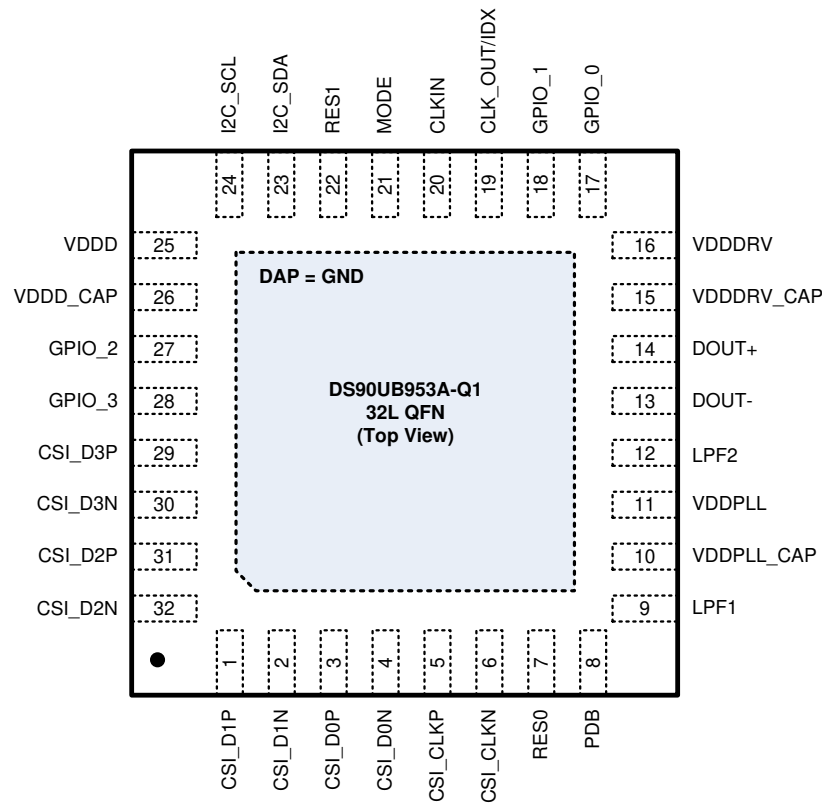
Typical Application



Table of Contents

| | | | |
|--|----|--|----|
| 1 Features | 1 | 6.5 Programming..... | 26 |
| 2 Applications | 1 | 6.6 Pattern Generation..... | 28 |
| 3 Description | 1 | 6.7 Register Maps..... | 32 |
| 4 Pin Configuration and Functions | 3 | 7 Application and Implementation | 66 |
| 5 Specifications | 5 | 7.1 Application Information..... | 66 |
| 5.1 Absolute Maximum Ratings..... | 5 | 7.2 Typical Applications..... | 69 |
| 5.2 ESD Ratings..... | 5 | 7.3 Power Supply Recommendations..... | 73 |
| 5.3 Recommended Operating Conditions..... | 6 | 7.4 Layout..... | 77 |
| 5.4 Thermal Information..... | 6 | 8 Device and Documentation Support | 80 |
| 5.5 Electrical Characteristics..... | 7 | 8.1 Documentation Support..... | 80 |
| 5.6 Recommended Timing for the Serial Control Bus..... | 11 | 8.2 Receiving Notification of Documentation Updates..... | 80 |
| 5.7 Timing Diagrams..... | 12 | 8.3 Support Resources..... | 80 |
| 5.8 Typical Characteristics..... | 12 | 8.4 Trademarks..... | 80 |
| 6 Detailed Description | 13 | 8.5 Electrostatic Discharge Caution..... | 80 |
| 6.1 Overview..... | 13 | 8.6 Glossary..... | 80 |
| 6.2 Functional Block Diagram..... | 13 | 9 Revision History | 80 |
| 6.3 Feature Description..... | 14 | 10 Mechanical, Packaging, and Orderable Information | 82 |
| 6.4 Device Functional Modes..... | 21 | | |

4 Pin Configuration and Functions



**Figure 4-1. RHB Package
32-Pin VQFN
Top View**

Table 4-1. Pin Functions

| PIN | | I/O | DESCRIPTION |
|----------------------------------|-----|---------|--|
| NAME | NO. | | |
| CSI INTERFACE | | | |
| CSI_CLKP | 5 | I, DPHY | CSI-2 clock input pins. Connect to a CSI-2 clock source with matched 100Ω (±5%) impedance interconnects. |
| CSI_CLKN | 6 | I, DPHY | |
| CSI_D0P | 3 | I, DPHY | |
| CSI_D0N | 4 | I, DPHY | |
| CSI_D1P | 1 | I, DPHY | |
| CSI_D1N | 2 | I, DPHY | |
| CSI_D2P | 31 | I, DPHY | |
| CSI_D2N | 32 | I, DPHY | |
| CSI_D3P | 29 | I, DPHY | |
| CSI_D3N | 30 | I, DPHY | |
| SERIAL CONTROL INTERFACE | | | |
| I2C_SDA | 23 | OD | I2C Data and Clock Pins. Pulled up to either 1.8V or 3.3V supply rail depending on IDX setting. See I2C Interface Configuration for further details on the I2C implementation of the DS90UB953A-Q1. See I2C Bus Pullup Resistor Calculation (SVLA689). |
| I2C_SCL | 24 | OD | |
| CONFIGURATION and CONTROL | | | |
| RES0 | 7 | I | Reserved pin – Connect to GND |
| RES1 | 22 | I | Reserved pin – Do not connect (leave floating) |

Table 4-1. Pin Functions (continued)

| PIN | | I/O | DESCRIPTION |
|---------------------------------|-----|---------|---|
| NAME | NO. | | |
| PDB | 8 | I, PD | Power-down inverted Input Pin. Internal 1M Ω pulldown. Typically connected to processor GPIO with pull down. When PDB input is brought HIGH, the device is enabled and internal register and state machines are reset to default values. Asserting PDB signal low powers down the device and consumes minimum power. The default function of this pin is PDB = LOW; POWER DOWN. PDB remains low until after power supplies are applied and reach minimum required levels. See Power Down (PDB) for further details on the function of PDB. PDB INPUT IS NOT 3.3V TOLERANT. PDB = 1.8V, device is enabled (normal operation) PDB = 0, device is powered down. |
| MODE | 21 | I, S | Mode select configuration input. Default operational mode is strapped at start-up based on the MODE input voltage when PDB transitions LOW to HIGH. Typically connected to voltage divider through external pullup to VDD18 and pulldown to GND applying an appropriate bias voltage. See MODE for details. |
| CLK_OUT/IDX | 19 | I/O, S | IDX pin sets the I2C pullup voltage and device address; connect to external pullup to VDD and pulldown to GND to create a voltage divider. When PDB transitions LOW to HIGH, the strap input voltage is sensed at the CLOCK_OUT/IDX pin to determine functionality and then converted to CLK_OUT. See I2C Interface Configuration for details. If CLK_OUT is used, the minimum resistance on the pin is 35k Ω . If unused, CLK_OUT/IDX can be tied to GND. |
| FPD-LINK III INTERFACE | | | |
| DOUT- | 13 | I/O | FPD-Link III Input/Output pins. These pins must be AC-coupled. See Figure 7-5 and Figure 7-6 for typical connection diagrams and Table 7-3 for recommended capacitor values. |
| DOUT+ | 14 | I/O | |
| POWER AND GROUND | | | |
| VDDD_CAP | 26 | D, P | A connection for an internal analog regulator decoupling capacitor. Typically connected to 10 μ F, 0.1 μ F, and 0.01 μ F capacitors to GND. Do not connect to an external supply rail. See Typical Application for more details. |
| VDDDRV_CAP | 15 | D, P | A connection for an internal analog regulator decoupling capacitor. Typically connected to 10 μ F, 0.1 μ F, and 0.01 μ F capacitors to GND. Do not connect to an external supply rail. See Typical Application for more details. |
| VDDPLL_CAP | 10 | D, P | A connection for an internal analog regulator decoupling capacitor. Typically connected to 10 μ F, 0.1 μ F, and 0.01 μ F capacitors to GND. Do not connect to an external supply rail. See Typical Application for more details. |
| VDDD | 25 | P | 1.8V (\pm 5%) Power Supply pin. Typically connected to 1 μ F and 0.01 μ F capacitors to GND. |
| VDDDRV | 16 | P | 1.8V (\pm 5%) Analog Power Supply pin. Typically connected to 1 μ F and 0.01 μ F capacitors to GND. |
| VDDPLL | 11 | P | 1.8V (\pm 5%) Analog Power Supply pin. Typically connected to 1 μ F and 0.01 μ F capacitors to GND. |
| GND | DAP | G | DAP is the large metal contact at the bottom side, located at the center of the VQFN package. Connect to the ground plane (GND). |
| LOOP FILTER | | | |
| LPF1 | 9 | P | Loop Filter 1: Connect as described in Section 7.2.2.4 . |
| LPF2 | 12 | P | Loop Filter 2: Connect as described in Section 7.2.2.4 . |
| CLOCK INTERFACE AND GPIO | | | |
| GPIO_0 | 17 | I/O, PD | General-Purpose Input/Output pins. These pins can also be configured to sense the voltage at their inputs. See Voltage and Temperature Sensing . At power up, these GPIO pins default to inputs with a 300k Ω (typical) internal pulldown resistor. These pins can be left floating if unused, but T1 recommends to set the GPIOx_INPUT_EN to 0 to disable the pins. See Section 6.3.6 for programmability. |
| GPIO_1 | 18 | I/O, PD | |
| GPIO_2 | 27 | I/O, PD | General-Purpose Input/Output pins. At power up, these GPIO pins default to inputs with a 300k Ω (typical) internal pulldown resistor. These pins can be left floating if unused, but T1 recommends to set the GPIOx_INPUT_EN to 0 to disable the pins. See Section 6.3.6 for programmability. |
| GPIO_3 | 28 | I/O, PD | |
| CLKIN | 20 | I | Reference Clock Input pin. If operating in non-sync external clock mode, connect this pin to a local clock source. If unused (like other clocking modes), this pin can be left open. See Table 6-8 for more information on clocking modes. |

5 Specifications

5.1 Absolute Maximum Ratings

over operating free-air temperature range (unless otherwise noted)⁽¹⁾

| | PIN OR FREQUENCY | MIN | MAX | UNIT |
|---------------------------------------|--|------|-----------------------|------|
| Supply voltage, VDD | VDDD, VDDDRV, VDDPLL | -0.3 | 2.16 | V |
| Input voltage | GPIO[3:0], PDB, CLKIN, IDX, MODE, CSI_CLKP/N, CSI_D0P/N, CSI_D1P/N, CSI_D2P/N, CSI_D3P/N | -0.3 | V _{DD} + 0.3 | V |
| FPD-Link III output voltage | DOUT+, DOUT- | -0.3 | 1.21 | V |
| Open-drain voltage | I2C_SDA, I2C_SCL | -0.3 | 3.96 | V |
| Junction temperature, T _J | | | 150 | °C |
| Storage temperature, T _{stg} | | -65 | 150 | °C |

- (1) Stresses beyond those listed under *Absolute Maximum Ratings* may cause permanent damage to the device. These are stress ratings only, which do not imply functional operation of the device at these or any other conditions beyond those indicated under *Recommended Operating Conditions*. Exposure to absolute-maximum-rated conditions for extended periods may affect device reliability.

5.2 ESD Ratings

| | | | | VALUE | UNIT |
|---------------------------------|-------------------------|--|--|--------|------|
| V _(ESD) | Electrostatic discharge | Human body model (HBM) ESD Classification Level 3A, per AEC-Q100-002 ⁽¹⁾ | All pins except Media Dependent Interface Pins | ±4000 | V |
| | | | Media Dependent Interface Pins | | |
| | | Charged-device model (CDM) ESD Classification Level C6, per AEC-Q100-011 | | ±1500 | V |
| | | IEC 61000-4-2 R _D = 330Ω, C _S = 150pF | Contact Discharge (DOUT+ and DOUT-) | ±8000 | V |
| | | | Air Discharge (DOUT+ and DOUT-) | ±18000 | V |
| | | ISO 10605 R _D = 330Ω, C _S = 150pF and 330pF R _D = 2kΩ, C _S = 150pF and 330pF | Contact Discharge (DOUT+ and DOUT-) | ±8000 | V |
| Air Discharge (DOUT+ and DOUT-) | ±18000 | | V | | |

- (1) AEC Q100-002 indicates HBM stressing is done in accordance with the ANSI/ESDA/JEDEC JS-001 specification.

5.3 Recommended Operating Conditions

Over operating free-air temperature range (unless otherwise noted)

| | | MIN | NOM | MAX | UNIT |
|--|---|----------|-----|------|------------------------------|
| Supply voltage | VDD (VDDD, VDDDRV, VDDPLL) | 1.71 | 1.8 | 1.89 | V |
| Open-drain voltage | I2C_SDA, I2C_SCL = $V_{(I2C)}$ | 1.71 | | 3.6 | V |
| Operating free-air temperature (T_A) | | -40 | 25 | 125 | °C |
| Temperature ramp down final temperature (T_s = starting temperature) ⁽³⁾ | $10^\circ\text{C} < T_s \leq 125^\circ\text{C}$ | -10 | | | °C |
| Temperature ramp down final temperature (T_s = starting temperature) ⁽³⁾ | $T_s \leq 10^\circ\text{C}$ | T_s-20 | | | °C |
| MIPI data rate (per CSI-2 lane) | | 80 | | 832 | Mbps |
| Reference clock input frequency | | 25 | | 104 | MHz |
| Local I ² C frequency (f_{I2C}) | | | | 1 | MHz |
| Supply noise ⁽⁴⁾ | VDD (VDDD, VDDDRV, VDDPLL) | | | 25 | mV _{p-p} |
| Differential supply noise between DOUT+ and DOUT- (PSR) | f = 10 kHz - 50MHz (coax mode only) | | | 25 | mV _{p-p} |
| | f = 30 Hz, 10-90% Rise/Fall Time > 100µs (coax mode only) | | | 25 | mV _{p-p} |
| Input clock jitter for non synchronous mode (t_{JIT}) | CLKIN | | | 0.05 | UI_CLK_I N ⁽²⁾ |
| Back channel input jitter (t_{JIT-BC}) | DOUT+, DOUT- | | | 0.4 | UI_BC ⁽¹⁾ |

- (1) The back channel unit interval (UI_BC) is 1/(BC line-rate). For example, the typical UI_BC is 1/100MHz = 10ns. If the jitter tolerance is 0.4 UI, convert the jitter in UI to seconds using this equation: 10ns × 0.4UI = 4ns
- (2) Non-synchronous mode - For a given clock, the UI is defined as 1/clock_freq. For example when the clock = 50MHz, the typical UI_CLK_IN is 1/50MHz = 20ns.
- (3) Temperature ramp down final temperature for continuous PLL lock using software configuration. Refer to [Section 9.1.1 System Initialization](#) for information on device configuration.
- (4) DC - 50MHz

5.4 Thermal Information

| THERMAL METRIC ⁽¹⁾ | | DS90UB953A-Q1 | |
|-------------------------------|--|---------------|------|
| | | RHB (VQFN) | |
| | | 32 PINS | |
| | | | UNIT |
| $R_{\theta JA}$ | Junction-to-ambient thermal resistance | 31.5 | °C/W |
| $R_{\theta JB}$ | Junction-to-board thermal resistance | 10.9 | °C/W |
| $R_{\theta JC(top)}$ | Junction-to-case (top) thermal resistance | 20 | °C/W |
| $R_{\theta JC(bot)}$ | Junction-to-case (bottom) thermal resistance | 1 | °C/W |
| Ψ_{JT} | Junction-to-top characterization parameter | 0.2 | °C/W |
| Ψ_{JB} | Junction-to-board characterization parameter | 10.9 | °C/W |

- (1) For more information about traditional and new thermal metrics, see the [Semiconductor and IC Package Thermal Metrics](#) application report, SPRA953.

5.5 Electrical Characteristics

Over recommended operating supply and temperature ranges unless otherwise specified.

| PARAMETER | | TEST CONDITIONS | PIN OR FREQUENCY | MIN | TYP | MAX | UNIT |
|--|------------------------------|--|-----------------------|-------------------------|-----|-------------------------|---------------|
| POWER CONSUMPTION | | | | | | | |
| I_{DD_TOTAL} | Supply current | 416-MHz CSI Input Clock, 4 Lane Mode, Checkerboard Pattern | VDDPLL, VDDD, VDDDRV | | 160 | 225 | mA |
| I_{DDPLL} | | | VDDPLL | | 55 | 80 | |
| I_{DDD} | | | VDDD | | 45 | 70 | |
| I_{DDDRV} | | | VDDDRV | | 60 | 75 | |
| 1.8-V LVCMOS I/O (VDD) = 1.71V to 1.89V | | | | | | | |
| V_{OH} | High level output voltage | $I_{OH} = -4\text{mA}$ | GPIO[3:0], CLK_OUT | $V_{(VDD)} - 0.45$ | | $V_{(VDD)}$ | V |
| V_{OL} | Low level output voltage | $I_{OL} = +4\text{mA}$ | GPIO[3:0], CLK_OUT | GND | | 0.45 | V |
| V_{IH} | High level input voltage | | GPIO[3:0], PDB, CLKIN | $V_{(VDD)} \times 0.65$ | | $V_{(VDD)}$ | V |
| V_{IL} | Low level input voltage | | GPIO[3:0], PDB, CLKIN | GND | | $V_{(VDD)} \times 0.35$ | V |
| I_{IH} | Input high current | $V_{IN} = V_{(VDD)}$ | GPIO[3:0], PDB, CLKIN | | | 20 | μA |
| I_{IL} | Input low current | $V_{IN} = \text{GND}$ | GPIO[3:0], PDB, CLKIN | -20 | | | μA |
| I_{OS} | Output short-circuit current | $V_{OUT} = 0\text{V}$ | | | -36 | | mA |
| I_{OZ} | TRI-STATE output current | $V_{OUT} = V_{(VDD)}, V_{OUT} = \text{GND}$ | GPIO[3:0], CLK_OUT | | | ± 20 | μA |
| C_{IN} | Input capacitance | | | | 5 | | pF |

5.5 Electrical Characteristics (continued)

Over recommended operating supply and temperature ranges unless otherwise specified.

| PARAMETER | | TEST CONDITIONS | PIN OR FREQUENCY | MIN | TYP | MAX | UNIT |
|--|--|--|------------------|------|---------|------|-------------------|
| FPD-LINK III INPUT/OUTPUT | | | | | | | |
| V_{IN-BC} | Single-ended input voltage | Coaxial configuration, 50 Ω , maximum cable length | DOUT+, DOUT- | 120 | | | mV |
| V_{ID-BC} | Differential input voltage | STP configuration, 100 Ω , maximum cable length | DOUT+, DOUT- | 240 | | | |
| E_{H-FC} | Forward channel eye height | Coaxial configuration, FPD-Link forward channel = 4.16Gbps | DOUT+, DOUT- | | 425 | | mVp-p |
| | | STP configuration, FPD-Link forward channel = 4.16Gbps | DOUT+, DOUT- | | 850 | | |
| t_{TR-FC} | Forward channel output transition time | FPD-Link forward channel = 4.16Gbps; 20% to 80% | DOUT+, DOUT- | | 65 | | ps |
| t_{JIT-FC} | Forward channel output jitter | Synchronous mode, measured with $f/15 - 3dB$ CDR Loop BW | DOUT+, DOUT- | | 0.21 | | UI |
| | | Non-synchronous mode, measured with $f/15 - 3dB$ CDR Loop BW | DOUT+, DOUT- | | 0.22 | | |
| f_{REF} | Internal reference frequency | Non-synchronous internal clocking mode | | 24.2 | | 25.5 | MHz |
| FPD-LINK III DRIVER SPECIFICATIONS (DIFFERENTIAL) | | | | | | | |
| V_{ODP-P} | Output differential voltage | $R_L = 100\Omega$ | DOUT+, DOUT- | 1040 | 1150 | 1340 | mV _{p-p} |
| ΔV_{OD} | Output voltage imbalance | | DOUT+, DOUT- | | 5 | 24 | mV |
| V_{OS} | Output differential offset voltage | | DOUT+, DOUT- | | 575 | | mV |
| ΔV_{OS} | Offset voltage imbalance | | DOUT+, DOUT- | | 2 | | mV |
| I_{OS} | Output short-circuit current | DOUT = 0V | DOUT+, DOUT- | | -22 | | mA |
| R_T | Internal termination resistance | Between DOUT+ and DOUT- | DOUT+, DOUT- | 80 | 100 | 120 | Ω |
| FPD-LINK III DRIVER SPECIFICATIONS (SINGLE-ENDED) | | | | | | | |
| V_{OUT} | Output single-ended voltage | $R_L = 50\Omega$ | DOUT+, DOUT- | 520 | 575 | 670 | mV _{p-p} |
| I_{OS} | Output short-circuit current | DOUT = 0V | DOUT+, DOUT- | | -22 | | mA |
| R_T | Single-ended termination resistance | | DOUT+, DOUT- | 40 | 50 | 60 | Ω |
| VOLTAGE AND TEMPERATURE SENSING | | | | | | | |
| V_{ACC} | Voltage accuracy | See Voltage and Temperature Sensing | GPIO[1:0] | | ± 1 | | LSB |
| T_{ACC} | Temperature accuracy | See Voltage and Temperature Sensing | | | ± 1 | | LSB |

5.5 Electrical Characteristics (continued)

Over recommended operating supply and temperature ranges unless otherwise specified.

| PARAMETER | | TEST CONDITIONS | PIN OR FREQUENCY | MIN | TYP | MAX | UNIT |
|---|-------------------------------------|-----------------|--|------|-----|-----|----------|
| CSI-2 HS INTERFACE DC SPECIFICATIONS | | | | | | | |
| $V_{CMRX(DC)}$ | Common-mode voltage HS receive mode | | CSI_D3P/N, CSI_D2P/N, CSI_D1P/N, CSI_D0P/N, CSI_CLKP/N | 70 | | 330 | mV |
| V_{IDTH} | Differential input high threshold | | CSI_D3P/N, CSI_D2P/N, CSI_D1P/N, CSI_D0P/N, CSI_CLKP/N | | | 70 | mV |
| V_{IDTL} | Differential input low threshold | | CSI_D3P/N, CSI_D2P/N, CSI_D1P/N, CSI_D0P/N, CSI_CLKP/N | -70 | | | mV |
| Z_{ID} | Differential input impedance | | CSI_D3P/N, CSI_D2P/N, CSI_D1P/N, CSI_D0P/N, CSI_CLKP/N | 80 | 100 | 125 | Ω |
| CSI-2 HS INTERFACE AC SPECIFICATIONS | | | | | | | |
| t_{HOLD} | Data to clock setup time | | CSI_D3P/N, CSI_D2P/N, CSI_D1P/N, CSI_D0P/N, CSI_CLKP/N | 0.15 | | | UI |
| t_{SETUP} | Data to clock hold time | | CSI_D3P/N, CSI_D2P/N, CSI_D1P/N, CSI_D0P/N, CSI_CLKP/N | 0.15 | | | UI |
| CSI-2 LP INTERFACE DC SPECIFICATIONS | | | | | | | |
| V_{IH} | Logic high input voltage | | CSI_D3P/N, CSI_D2P/N, CSI_D1P/N, CSI_D0P/N, CSI_CLKP/N | 880 | 790 | | mV |
| V_{IL} | Logic low input voltage | | CSI_D3P/N, CSI_D2P/N, CSI_D1P/N, CSI_D0P/N, CSI_CLKP/N | | 710 | 550 | mV |
| V_{HYST} | Input hysteresis | | CSI_D3P/N, CSI_D2P/N, CSI_D1P/N, CSI_D0P/N, CSI_CLKP/N | 25 | 75 | | mV |

5.5 Electrical Characteristics (continued)

Over recommended operating supply and temperature ranges unless otherwise specified.

| PARAMETER | TEST CONDITIONS | PIN OR FREQUENCY | MIN | TYP | MAX | UNIT |
|---------------------------|-------------------------------------|---|---------------------|------------------------|------------------------|---------|
| LVC MOS I/O | | | | | | |
| t_{CLH} | LVC MOS low-to-high transition time | $V_{(VDD)} = 1.71$ to $1.89V$ | GPIO[3:0] | 2 | | ns |
| t_{CHL} | LVC MOS high-to-low transition time | $V_{(VDD)} = 1.71$ to $1.89V$ | GPIO[3:0] | 2 | | ns |
| t_{PDB} | PDB reset pulse width | Voltage supplies applied and stable | PDB | 3 | | ms |
| SERIAL CONTROL BUS | | | | | | |
| V_{IH} | Input high level | | I2C_SCL, I2C_SDA | $0.7 \times V_{(I2C)}$ | $V_{(I2C)}$ | mV |
| V_{IL} | Input low level | | I2C_SCL, I2C_SDA | GND | $0.3 \times V_{(I2C)}$ | mV |
| V_{HY} | Input hysteresis | | I2C_SCL, I2C_SDA | >50 | | mV |
| V_{OL} | Output low level | $V_{(I2C)} < 2V$, $I_{OL} = 3mA$, Standard-mode/Fast-mode | I2C_SCL, I2C_SDA | 0 | $0.2 \times V_{(I2C)}$ | V |
| | | $V_{(I2C)} < 2V$, $I_{OL} = 20mA$, Fast-mode plus | I2C_SCL, I2C_SDA | 0 | $0.2 \times V_{(I2C)}$ | V |
| | | $V_{(I2C)} > 2V$, $I_{OL} = 3mA$, Standard-mode/Fast-mode | I2C_SCL, I2C_SDA | 0 | 0.4 | V |
| | | $V_{(I2C)} > 2V$, $I_{OL} = 20mA$, Fast-mode plus | I2C_SCL, I2C_SDA | 0 | 0.4 | V |
| I_{IH} | Input high current | $V_{IN} = V_{(I2C)}$ | I2C_SCL, I2C_SDA | -10 | 10 | μA |
| I_{IL} | Input low current | $V_{IN} = 0V$ | I2C_SCL, I2C_SDA | -10 | 10 | μA |
| I_{IL} | Input low current | $V_{IN} = 0V$ | I2C_SCL, I2C_SDA | -10 | 10 | μA |
| C_{IN} | Input capacitance | | I2C_SCL, I2C_SDA | 5 | | pf |

5.6 Recommended Timing for the Serial Control Bus

Over I²C supply and temperature ranges unless otherwise specified.

| | | MIN | TYP | MAX | UNIT |
|---------------------|---|----------------|------|------|------|
| f _{SCL} | SCL Clock Frequency | Standard-mode | >0 | 100 | kHz |
| | | Fast-mode | >0 | 400 | kHz |
| | | Fast-mode Plus | >0 | 1 | MHz |
| t _{LOW} | SCL Low Period | Standard-mode | 4.7 | | μs |
| | | Fast-mode | 1.3 | | μs |
| | | Fast-mode Plus | 0.5 | | μs |
| t _{HIGH} | SCL High Period | Standard-mode | 4.0 | | μs |
| | | Fast-mode | 0.6 | | μs |
| | | Fast-mode Plus | 0.26 | | μs |
| t _{HD,STA} | Hold time for a start or a repeated start condition | Standard-mode | 4.0 | | μs |
| | | Fast-mode | 0.6 | | μs |
| | | Fast-mode Plus | 0.26 | | μs |
| t _{SU,STA} | Set up time for a start or a repeated start condition | Standard-mode | 4.7 | | μs |
| | | Fast-mode | 0.6 | | μs |
| | | Fast-mode Plus | 0.26 | | μs |
| t _{HD,DAT} | Data hold time | Standard-mode | 0 | | μs |
| | | Fast-mode | 0 | | μs |
| | | Fast-mode Plus | 0 | | μs |
| t _{SU,DAT} | Data set up time | Standard-mode | 250 | | ns |
| | | Fast -mode | 100 | | ns |
| | | Fast-mode Plus | 50 | | ns |
| t _{SU,STO} | Set up time for STOP condition | Standard-mode | 4.0 | | μs |
| | | Fast-mode | 0.6 | | μs |
| | | Fast-mode Plus | 0.26 | | μs |
| t _{BUF} | Bus free time between STOP and START | Standard-mode | 4.7 | | μs |
| | | Fast-mode | 1.3 | | μs |
| | | Fast-mode Plus | 0.5 | | μs |
| t _r | SCL & SDA rise time | Standard-mode | | 1000 | ns |
| | | Fast-mode | | 300 | ns |
| | | Fast-mode Plus | | 120 | ns |
| t _f | SCL & SDA fall time | Standard-mode | | 300 | ns |
| | | Fast-mode | | 300 | ns |
| | | Fast-mode Plus | | 120 | ns |
| C _b | Capacitive load for each bus line | Standard-mode | | 400 | pF |
| | | Fast-mode | | 400 | pF |
| | | Fast-mode Plus | | 550 | pF |
| t _{VD,DAT} | Data valid time | Standard-mode | | 3.45 | μs |
| | | Fast-mode | | 0.9 | μs |
| | | Fast-mode Plus | | 0.45 | μs |
| t _{VD,ACK} | Data vallid acknowledge time | Standard-mode | | 3.45 | μs |
| | | Fast-mode | | 0.9 | μs |
| | | Fast-mode Plus | | 0.45 | μs |
| t _{SP} | Input filter | Fast-mode | | 50 | ns |
| | | Fast-mode Plus | | 50 | ns |

5.7 Timing Diagrams

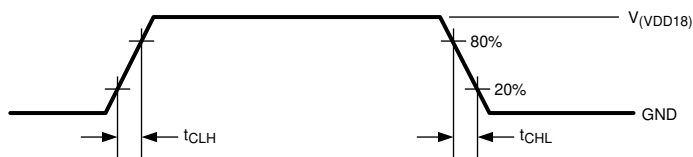


Figure 5-1. LVC MOS Transition Times

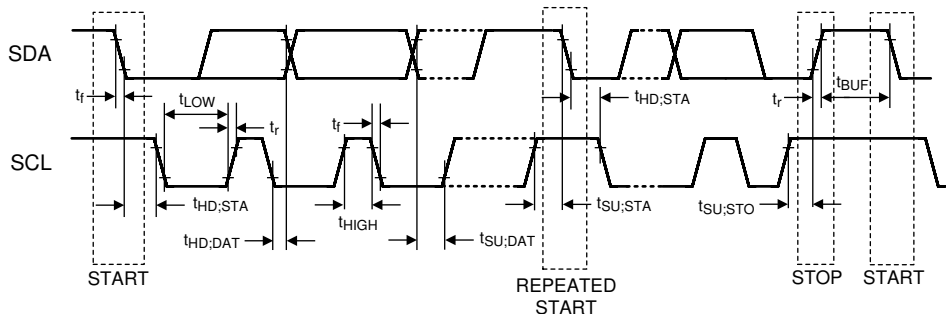


Figure 5-2. I²C Serial Control Bus Timing

5.8 Typical Characteristics

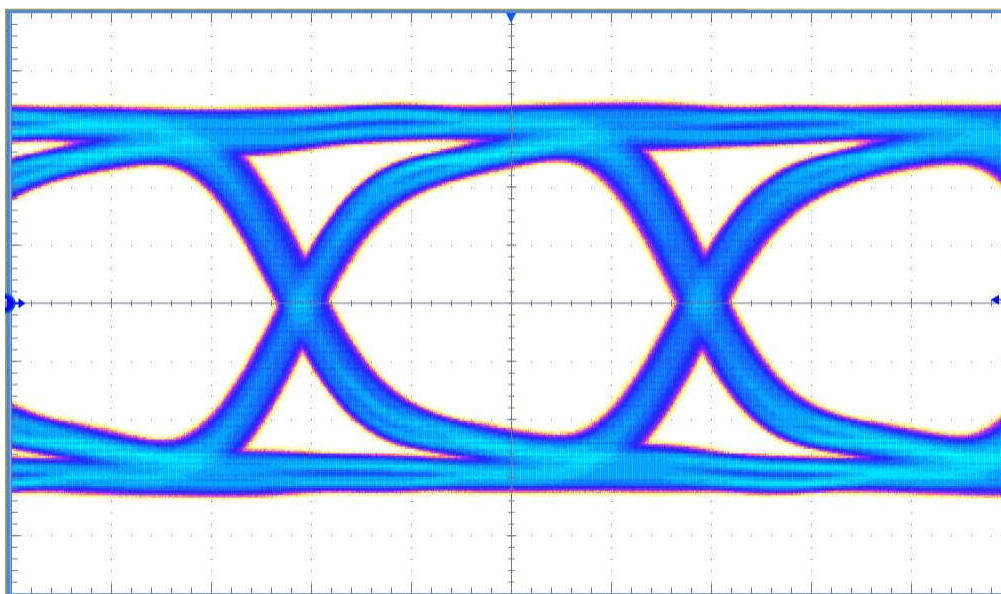


Figure 5-3. Eye Diagram at 4Gbps FPD-Link III Forward Channel Rate From Serializer Output Vertical Scale: 100mV/DIV Horizontal Scale: 62.5ps/DIV

6 Detailed Description

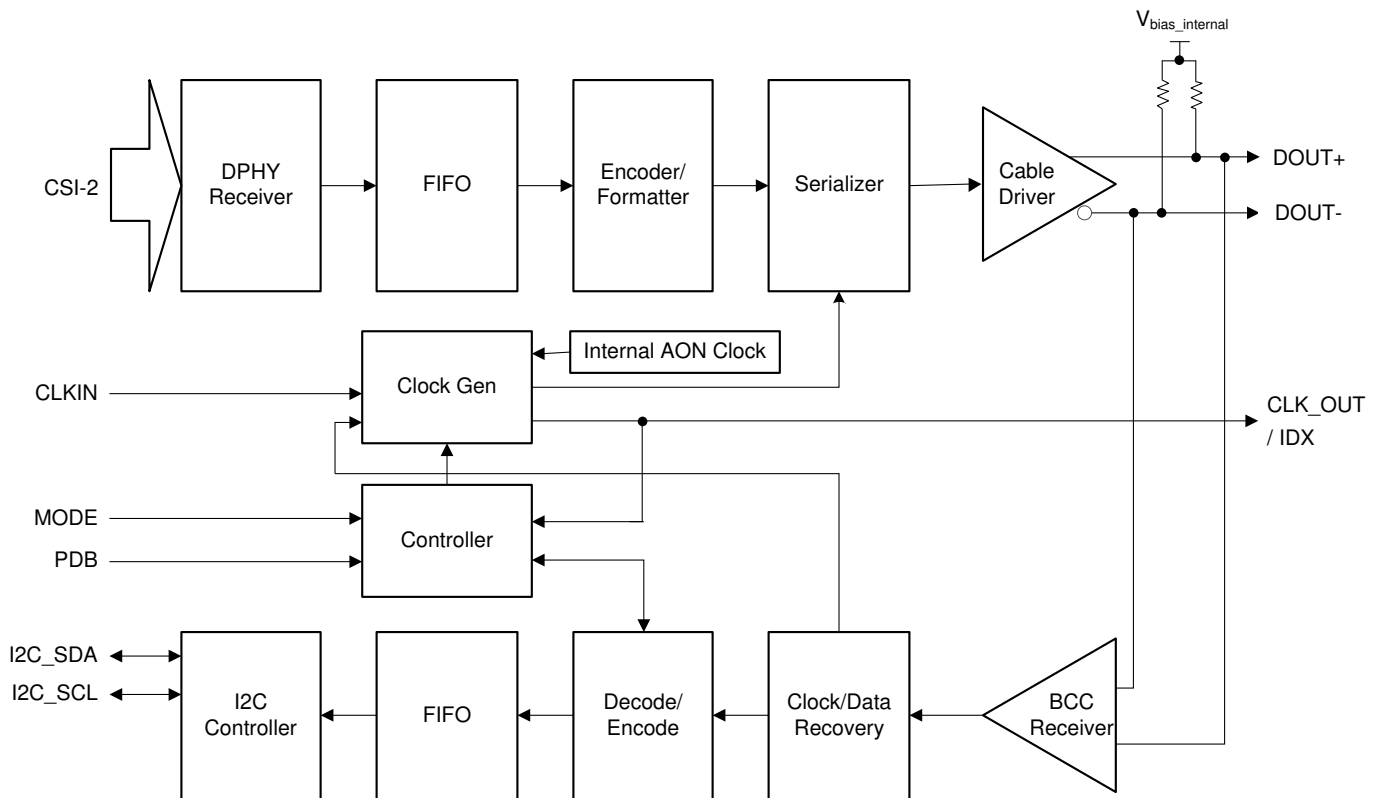
6.1 Overview

The DS90UB953A-Q1 serializes data from high-resolution image sensors or other sensors using the MIPI CSI-2 interface. The DS90UB953A-Q1 serializer is optimized to interface with the DS90UB954-Q1 deserializer (dual hub), the DS90UB960-Q1 deserializer (quad hub), as well as other potential future deserializers. The interconnect between the serializer and the deserializer can be either a coaxial cable or shielded-twisted pair (STP) cable. The DS90UB953A-Q1 was designed to support multi-sensor systems such as surround view, and as such has the ability to synchronize sensors through the DS90UB954-Q1 and DS90UB960-Q1 hubs.

The DS90UB953A-Q1 serializer and companion deserializer incorporate an I2C-compatible interface. The I2C-compatible interface allows programming of serializer or deserializer devices from a local host controller. In addition, the devices incorporate a bidirectional control channel (BCC) that allows communication between the serializer and deserializer, as well as between remote I2C target devices.

The bidirectional control channel (BCC) is implemented through embedded signaling in the high-speed forward channel (serializer to deserializer), combined with lower speed signaling in the reverse channel (deserializer to serializer). Through this interface, the BCC provides a mechanism to bridge I2C transactions across the serial link from one I2C bus to another.

6.2 Functional Block Diagram



6.3 Feature Description

The DS90UB953A-Q1 FPD-Link III serializer is designed to support high-speed raw data sensors including 2MP imagers at 60 fps, as well as 4-MP and 30-fps cameras, satellite RADAR, LIDAR, and time of flight (ToF) cameras. The chip features a forward channel capable of up to 4.16Gbps, as well as an ultra-low latency 50Mbps bidirectional control channel. The transmission of the forward channel, bidirectional control channel, and power is supported over coaxial (Power-over-Coax) or STP cables. The DS90UB953A-Q1 features advanced data protection and diagnostic features to support ADAS and autonomous driving. Together with a companion deserializer, the DS90UB953A-Q1 delivers precise multi-camera sensor clock and sensor synchronization.

6.3.1 CSI-2 Receiver

The DS90UB953A-Q1 receives CSI-2 video data from the sensor. During CSI-2 operation, the D-PHY consists of a clock lane and one or more data lanes. The DS90UB953A-Q1 is a target device and only supports unidirectional lane in the forward direction. Low Power Escape mode is not supported.

6.3.1.1 CSI-2 Receiver Operating Modes

During normal operation a data lane is in either control or high-speed mode. In high-speed mode, the data transmission happens in a burst and starts and ends at a stop state (LP-11). There is a transition state to take the D-PHY from a normal mode to the low-power state.

The sequence to enter high-speed mode is: LP-11, LP-01, LP-00. After the sequence is entered, the data lane remains in high-speed mode until a stop state (LP-11) is received.

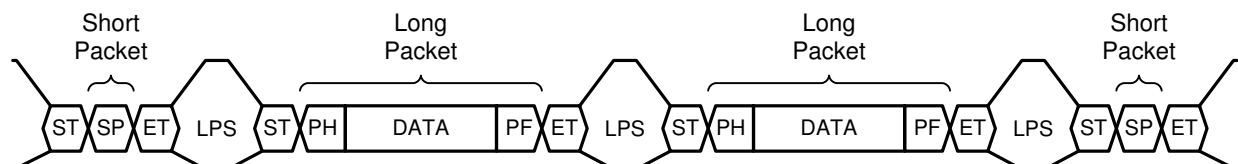
6.3.1.2 CSI-2 Receiver High-Speed Mode

During high-speed data transmission, the digital D-PHY enables the termination signal to allow proper termination of the HS RX of the Analog D-PHY, and the LP RX should stay at LP-00 state. Both CSI-2 data lane and clock lane operate in the same manner. The DS90UB953A-Q1 supports both CSI-2 continuous and non-continuous clock lane modes which must be set using register 0x02[6] and should follow the image sensor clock mode. In the continuous clock lane mode, the clock lane remains in high-speed mode.

6.3.1.3 CSI-2 Protocol Layer

There are two different types of CSI-2 packets: a short packet and a long packet. Short packets have information such as the frame start/ line start, and long packets carry the data after the frame start is asserted. [Figure 6-1](#) shows the structure of the CSI-2 protocol layer with short and long packets. The DS90UB953A-Q1 supports 1, 2, and 4 lane configurations.

DATA:



KEY:

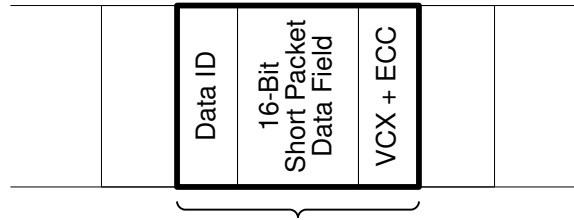
ST – Start of Transmission
ET – End of Transmission
LPS – Low Power State

PH – Packet Header
PF – Packet Footer

Figure 6-1. CSI-2 Protocol Layer With Short and Long Packets

6.3.1.4 CSI-2 Short Packet

The short packet provides frame or line synchronization. [Figure 6-2](#) shows the structure of a short packet. A short packet is identified by data types 0x00 to 0x0F.



32-bit SHORT PACKET (SH)
Data Type (DT) = 0x00 – 0x0F

Figure 6-2. CSI-2 Short Packet Structure

6.3.1.5 CSI-2 Long Packet

A long packet consists of three elements: a 32-bit packet header (PH), an application-specific data payload with a variable number of 8-bit data words, and a 16-bit packet footer (PF). The packet header is further composed of three elements: an 8-bit data identifier, a 16-bit word count field, and an 8-bit ECC. The packet footer only has one element—a 16-bit checksum. Figure 6-3 shows the structure of a long packet.

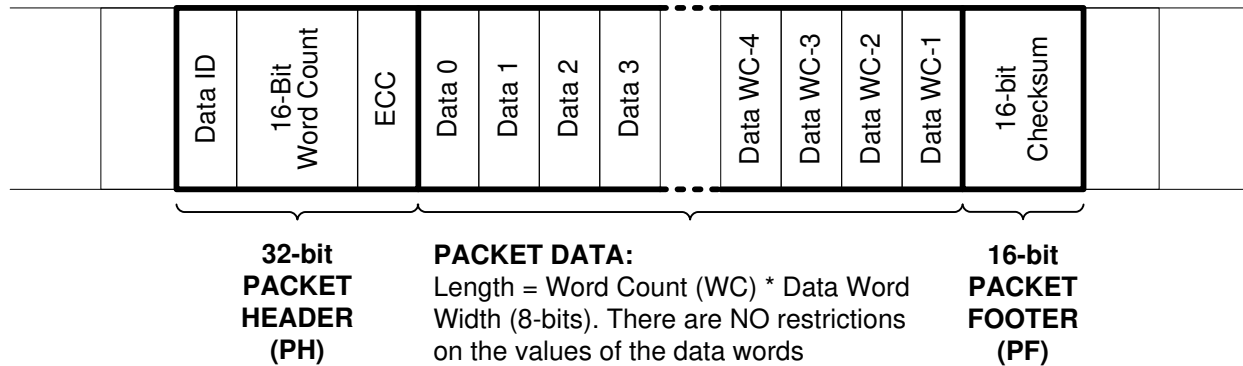


Figure 6-3. CSI-2 Long Packet Structure

Table 6-1. CSI-2 Long Packet Structure Description

| PACKET PART | FIELD NAME | SIZE (BIT) | DESCRIPTION |
|-------------|--------------|------------|--|
| Header | VC / Data ID | 8 | Contains the virtual channel identifier and the data-type information. |
| | Word Count | 16 | Number of data words in the packet data. A word is 8 bits. |
| | ECC | 8 | ECC for data ID and WC field. Allows 1-bit error recovery and 2-bit error detection. |
| Data | Data | WC × 8 | Application-specific payload (WC words of 8 bits). |
| Footer | Checksum | 16 | 16-bit cyclic redundancy check (CRC) for packet data. |

6.3.1.6 CSI-2 Errors and Detection

6.3.1.6.1 CSI-2 ECC Detection and Correction

CSI-2 packet header contains 6-bit Error Correction Code (ECC). ECC in the 32-bit long packet header can be corrected when there is a 1-bit error and detected when there is a 2-bit error. This feature is added to monitor the CSI-2 input for ECC 1-bit error correction. When ECC error is detected, ECC error detection register will be set and an alarm indicator bit can be sent to the deserializer to indicate the ECC error has been detected. A register control can be used to either enable or disable the alarm.

6.3.1.6.2 CSI-2 Check Sum Detection

A CSI-2 long packet header contains a 16-bit check sum before the end of transmission. The DS90UB953A-Q1 calculates the check sum of the incoming CSI-2 data. If a check sum error is detected, the check sum error

status can be saved in the CSI_ERR_STATUS register (0x5D), then forwarded to the deserializer through the bidirectional control channel.

6.3.1.6.3 D-PHY Error Detection

DS90UB953A-Q1 detect and reports SoT and SoT Sync errors.

6.3.1.6.4 CSI-2 Receiver Status

For the receive ports, several status functions can be tracked and monitored through register access. The status indications are available for error conditions as well as indications of change in line length measurements. These are available through the CSI_ERR_CNT (0x5C), CSI_ERR_STATUS (0x5D), CSI_ERR_DLANE01 (0x5E), CSI_ERR_DLANE23 (0x5F), and CSI_ERR_CLK_LANE (0x60) registers.

6.3.2 FPD-Link III Forward Channel Transmitter

The DS90UB953A-Q1 features a high-speed signal transmitter capable of driving signals at rates of up to 4.16Gbps.

6.3.2.1 Frame Format

The DS90UB953A-Q1 formats the data into 40bit long frames. Each frame is encoded to make sure DC balance and to make sure sufficient data line transitions. Each frame contains video payload data, I2C forward channel data, CRC information, framing information, and information regarding the state of the CSI-2 interface.

6.3.3 FPD-Link III Back Channel Receiver

The FPD-Link III back channel receives an encoded back channel signal over the FPD-Link III interface. The back channel frame is a 30-bit frame that contains I2C commands and GPIO data. The back channel frame receives an encoded clock and data from the deserializer, thus the data bit rate is one-half the frequency of the highest frequency received.

The back channel frequency is programmable for operation with compatible deserializers. The default setting is determined by the MODE strap pin. For operation with the DS90UB954-Q1 or DS90UB960-Q1, the back channel must be programmed for 50Mbps operation in DS90UB953A-Q1 synchronous mode and programmed for 10Mbps operation for non-synchronous modes.

6.3.4 Serializer Status and Monitoring

The DS90UB953A-Q1 features enhanced FPD-Link III diagnostics, system monitoring, and Built-In Self Test capabilities. The device monitors forward channel and back channel data for errors and reports them in the status registers. The device also supports voltage and temperature measurement for system level diagnostics. The Built-In Self Test feature allows testing of the forward channel and back channel data transmissions without external data connections.

The DS90UB953A-Q1 can send alarms and sensor status data through the forward channel to monitor the CSI-2 interface, Bidirectional Control Channel (BCC), GPIO voltage sensors and internal temperature sensor. The data can then be accessed through the SENSOR_STS_x registers (0x51) to (0x54) on the compatible linked deserializer. Status bits are always transmitted, and transmission of Alarm bits needs to be enabled from registers (0x1C) to (0x1E) on the serializer.

Table 6-2. Deserializer Alarm Status Interrupts

| Bit | SENSOR_STS_0 | SENSOR_STS_1 | SENSOR_STS_2 | SENSOR_STS_3 |
|-----|-------------------|-------------------|------------------|---------------------|
| 7 | 0 | 0 | 0 | 0 |
| 6 | 0 | Volt1 Sense Level | 0 | 0 |
| 5 | CSI Alarm | Volt1 Sense Level | 0 | 0 |
| 4 | BCC Alarm | Volt1 Sense Level | 0 | CSI 2-bit ECC Error |
| 3 | BC Link Detect | 0 | 0 | CSI Checksum Error |
| 2 | Temp Sense Alarm | Volt0 Sense Level | Temp Sense Level | D-PHY SOT Error |
| 1 | Volt1 Sense Alarm | Volt0 Sense Level | Temp Sense Level | D-PHY Sync Error |
| 0 | Volt0 Sense Alarm | Volt0 Sense Level | Temp Sense Level | D-PHY Control Error |

The CSI-2 error status and alarms on the deserializer SENSOR_STS are: CSI-2 alarm, CSI-2 control error, CSI-2 synchronization error, CSI-2 start of transmission error, CSI-2 checksum error, and CSI-2 ECC 2-bit error. The status for these bits can also be read from registers (0x5D) to (0x60) on the serializer. The BCC error alarm is triggered by are BCC link detect and CRC errors which can be read from register (0x52).

The voltage sense level and voltage sense alarms correspond to Sensor_V0 (0x58) and Sensor_V1 (0x59). And the temperature sense levels and alarm are monitored from Sensor_T (0x5A).

6.3.4.1 Forward Channel Diagnostics

The DS90UB953A-Q1 monitors the status of the forward channel link. The forward channel high-speed PLL lock status is reported in the HS_PLL_LOCK bit (Register 0x52[2]). When paired with the DS90UB954-Q1, the FPD-Link III deserializer LOCK status is also reported in the RX_LOCK_DETECT bit (Register 0x52[6]).

6.3.4.2 Back Channel Diagnostics

The DS90UB953A-Q1 monitors the status of the back channel link. The back channel CRC errors are reported in the CRC_ERR bit (Register 0x52[1]). The number of CRC errors are stored in the CRC error counters and reported in the CRC_ERR_CNT1 (Register 0x55) and CRC_ERR_CNT2 (Register 0x56) registers. The CRC error counters are reset by setting the CRC_ERR_CLR (Register 0x49[3]) to 1.

When running the BIST function, the DS90UB953A-Q1 reports if a BIST CRC error is detected in the BIST_CRC_ERR bit (Register 0x52[3]). The number of BIST errors are reported in the BIST_ERR_CNT field (Register 0x54). The BIST CRC error counter is reset by setting the BIST_CRC_ERR_CLR (Register 0x49[5]) to 1.

6.3.4.3 Voltage and Temperature Sensing

The DS90UB953A-Q1 supports voltage measurement and temperature measurement. The temperature and voltage sensors are both equipped with a 3bit ADC. The engineer can configure these sensors to monitor a signal and raise a flag when a signal goes outside of a set limit. For example, a voltage sensor can be used to monitor the 1.8V line and raise a flag if the voltage goes above 1.85V or below 1.75V. This flag can then be transferred to the deserializer and set an interrupt at the deserializer end of the link. In a similar manner, the temperature sensor triggers an alarm bit when the internal temperature of DS90UB953A-Q1 is outside the range.

Both GPIO0 and GPIO1 can be configured to sense the voltage applied at their inputs. [Table 6-32](#) through [Table 6-37](#) cover the registers specific to this section.

For a given voltage or temperature, the measurement accuracy is ± 1 LSB. This means that for a given input voltage or temperature corresponding to the nearest value in [Table 6-3](#) and [Table 6-4](#), the resulting ADC output code is accurate to the nearest ± 1 code.

Table 6-3. ADC Code vs Input Voltage

| GPIO VIN (V) | CODE |
|------------------------|------|
| $V_{IN} < 0.85$ | 000 |
| $0.85 < V_{IN} < 0.90$ | 001 |
| $0.90 < V_{IN} < 0.95$ | 010 |
| $0.95 < V_{IN} < 1.00$ | 011 |
| $1.00 < V_{IN} < 1.05$ | 100 |
| $1.05 < V_{IN} < 1.10$ | 101 |
| $1.10 < V_{IN} < 1.15$ | 110 |
| $1.15 < V_{IN}$ | 111 |

Table 6-4. ADC Code vs Temperature

| TEMPERATURE (°C) | CODE |
|------------------|------|
| $T < -30$ | 000 |
| $-30 < T < -10$ | 001 |
| $-10 < T < 15$ | 010 |
| $15 < T < 35$ | 011 |
| $35 < T < 55$ | 100 |
| $55 < T < 75$ | 101 |
| $75 < T < 100$ | 110 |
| $100 < T$ | 111 |

6.3.4.3.1 Programming Example

This section gives an example on how to configure the DS90UB953A-Q1 and DS90UB954-Q1 to monitor the voltage on the DS90UB953A-Q1 GPIO1 and set an alarm, which can then assert the INT pin on the DS90UB954-Q1.

```
# DS90UB953A-Q1 Settings
writeI2C(0x17,0x3E) # Enable Sensor, Select GPIO1 to sense
writeI2C(0x18,0x80) # Enable Sensor Gain Setting (Use Default)
writeI2C(0x1A,0x62) # Set Sensor Upper and Lower Limits (Use Default)
writeI2C(0x1D,0x3F) # Enable Sensor Alarms
writeI2C(0x1E,0x7F) # Enable Sending Alarms over BCC
# Register 0x57 readout (bits 2 and 3), indicates if the voltage on the GPIO1 is below or above the
# thresholds set in the register 0x1A.
# DS90UB954-Q1 Settings
writeI2C(0x23,0x81) # Enable Interrupts, Enable Interrupts for the camera attached to RX0
writeI2C(0x4C,0x01) # Enable Writes to RX0 registers
writeI2C(0xD8,0x08) # Interrupt on change in Sensor Status
# Register 0x51 and 0x52 readouts indicate Sensor data. Register 0x24[7] bit readout indicates the
# Alarm bit. The alarm bit can be routed to GPIO3/INT through GPIO_PIN_CTL and GPIO_OUT_SRC registers.
```

6.3.4.4 Built-In Self Test

An optional at-speed Built-In Self Test (BIST) feature supports high-speed serial link and back channel testing without external data connections. This is useful in the prototype stage, equipment production, in-system test, and system diagnostics.

BIST mode is enabled by the BIST configuration register 0xB3[0] on the deserializer, and only runs in the synchronous mode. When BIST is activated at the deserializer, a BIST enable signal is sent to the serializer through the back channel. The serializer outputs a continuous stream of a pseudo-random sequence and drives the link at speed. The deserializer detects the test pattern and monitors the pattern for errors. The serializer also tracks errors indicated by the CRC fields in each back channel frame. While the lock indications are required to identify the beginning of proper data reception, the best indication of any link failures or data corruption is the content of the error counter in the BIST_ERR_COUNT register 0x57 for each RX port on the deserializer side. BIST mode is useful in the prototype stage, equipment production, in-system test, and system diagnostics.

6.3.5 FrameSync Operation

When paired with compatible deserializers, any of the DS90UB953A-Q1 GPIO pins can be use for frame synchronization. This feature is useful when multiple sensors are connected to a deserializer hub. A frame synchronization signal (FrameSync) can be sent through the back channel using any of the back channel GPIOs. The FrameSync signal arrives at the serializers with limited skew.

6.3.5.1 External FrameSync

In External FrameSync mode, an external signal is input to the deserializer through one of the GPIO pins on the device. The external FrameSync signal can be propagated to one or more of the attached FPD-Link III serializers through a GPIO signal in the back channel. The expected skew timing for external FrameSync mode is on the order of one back channel frame period or 600ns when operating at 50Mbps.

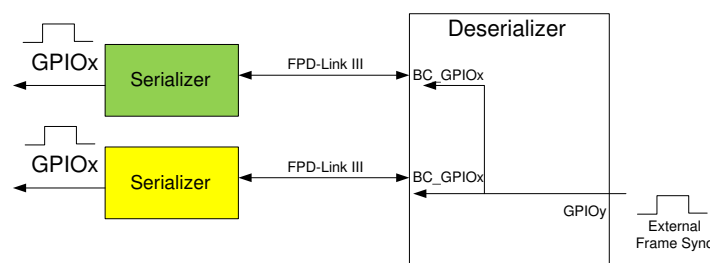


Figure 6-4. External FrameSync

Enabling the external FrameSync mode is done on the deserializer side. Refer to the deserializer data sheet for more information.

6.3.5.2 Internally Generated FrameSync

In Internal FrameSync mode, an internally generated FrameSync signal is sent to one or more of the attached FPD-Link III Serializers through a GPIO signal in the back channel.

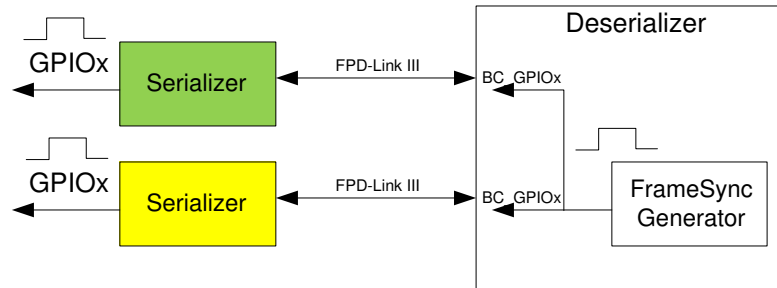


Figure 6-5. Internal FrameSync

FrameSync operation is controlled by the deserializer registers. Refer to the deserializer data sheet for more information.

6.3.6 GPIO Support

The DS90UB953A-Q1 supports four pins, GPIO0 through GPIO3, which can be monitored, configured, and controlled through the I2C bus in registers 0x0D, 0x0E, and 0x53. These GPIOs are programmable for use in multiple situations. GPIO0 and GPIO1 have additional diagnostics functionality and can be programmed to sense external voltage levels.

6.3.6.1 GPIO Status

The status HIGH or LOW of each GPIO pin 0 through 3 can be read through the GPIO_PIN_STS register 0x53. This register read operation provides the status of the GPIO pin when configured as an input by setting the corresponding GPIOx_INPUT_EN bit on register (0x0E). To read the GPIO status when the GPIO is used as output, both GPIOx_INPUT_EN and GPIOx_OUT_EN bits on register (0x0E) must be set.

Table 6-5. GPIO Configuration

| Configuration | Valid | Valid | Valid | Not Valid |
|----------------|---------------------|---------------------------|--------------------|--------------------|
| Purpose | GPIO used as Output | GPIO used as Output | GPIO used as Input | GPIO used as Input |
| GPIOx_INPUT_EN | 0 | 1 | 1 | 1 |
| GPIOx_OUT_EN | 1 | 1 | 0 | 1 |
| GPIO_STS | non-functional | functional ⁽¹⁾ | functional | N/A |

Note

(1) When GPIOx_INPUT_EN is set, the internal pull down is connected to the GPIO output and the user needs to make sure that the pull down resistor does not interfere with the application-specific use.

6.3.6.2 GPIO Input Control

Upon initialization, GPIO0 through GPIO3 are enabled as inputs by default. The GPIO_INPUT_CTRL (0x0E) register (bits 3:0) allows control of the input enable. If a GPIO_INPUT_CTRL[3:0] bit is set to 1, then the corresponding GPIO_INPUT_CTRL[7:4] bit must be set to 0. The number of GPIOs should be set and enabled using FC_GPIO_EN in register (0x33).

6.3.6.3 GPIO Output Control

Individual GPIO output control is programmable through the GPIO_INPUT_CTRL (0x0E) register (bits 7:4) in [Table 6-27](#). The GPIO_INPUT_CTRL[7:4] bits are set to 1 to use the GPIO as output pins.

6.3.6.4 Forward Channel GPIO

The input on the DS90UB953A-Q1 GPIO pins can be forwarded to compatible deserializers over the FPD-Link III interface. Up to four GPIOs are supported in the forward direction.

The timing for the forward channel GPIO is dependent on the number of GPIOs assigned at the serializer. When a single GPIO input from the DS90UB953A-Q1 serializer is linked to a compatible deserializer GPIO output, the value is sampled at every forward channel transmit frame. Two linked GPIO are sampled every two forward channel frames, and three or four linked GPIO are sampled every five frames. The typical latency for the GPIO is approximately 225ns but varies with the length of the cable. As the information is spread over multiple frames, the jitter is typically increased on the order of the sampling period (number of forward channel frames). TI recommends that the user maintain a 4x oversampling ratio for linked GPIO throughput. For example, when operating in 4Gbps synchronous mode with REFCLK = 25MHz, the maximum recommended GPIO input frequency based on the number of GPIO linked over the forward channel is shown in [Table 6-6](#).

Table 6-6. Forward Channel GPIO Typical Timing

| NUMBER OF LINKED FORWARD CHANNEL GPIOs (FC_GPIO_EN) | SAMPLING FREQUENCY (MHz) AT FPD-Link III LINE RATE = 4Gbps | MAXIMUM RECOMMENDED FORWARD CHANNEL GPIO FREQUENCY (MHz) | TYPICAL LATENCY (ns) | TYPICAL JITTER (ns) |
|---|--|--|----------------------|---------------------|
| 1 | 100 | 25 | 225 | 12 |
| 2 | 50 | 12.5 | 225 | 24 |
| 4 | 20 | 5 | 225 | 60 |

6.3.6.5 Back Channel GPIO

When enabled as an output, each DS90UB953A-Q1 GPIO pin can be programmed to output remote data coming from the compatible deserializer using the LOCAL_GPIO_DATA register (0x0D). The maximum signal frequency that can be received over the FPD-Link III back channel is dependent on the DS90UB953A-Q1 clocking mode as shown in [Table 6-7](#).

Table 6-7. Back Channel GPIO Typical Timing

| DS90UB953A-Q1 CLOCKING MODE | BACK CHANNEL RATE (Mbps) | SAMPLING FREQUENCY (kHz) | MAXIMUM RECOMMENDED BACK CHANNEL GPIO FREQUENCY (kHz) | TYPICAL LATENCY (μs) | TYPICAL JITTER (μs) |
|-----------------------------|--------------------------|--------------------------|---|----------------------|---------------------|
| Synchronous Mode | 50 | 1670 | 416 | 1.5 | 0.7 |
| Non-Synchronous Modes | 10 | 334 | 83.5 | 3.2 | 3 |
| DVP Mode | 2.5 | 83.5 | 20 | 12.2 | 12 |

6.4 Device Functional Modes

6.4.1 Clocking Modes

The DS90UB953A-Q1 supports several clocking schemes, which are selected through the MODE pin. In the DS90UB953A-Q1, the forward channel operates at a higher bandwidth than the requirement set by the video data transported, and the forward channel data rate is set by a reference clock. The clocking mode determines what the device uses as the reference clock, and the most common configuration is synchronous mode in which no local reference oscillator is required. See [Table 6-8](#) for more information.

The default mode of the DS90UB953A-Q1 is set by the application of a bias on the MODE pin during power up. More information on setting the operation modes can be found in [Section 6.4.2](#).

Table 6-8. Clocking Modes

| MODE | DIVIDE | REFERENCE SOURCE | REF FREQUENCY (f) (MHz) | FC DATA RATE | CSI BANDWIDTH ≤ | CLK_OUT ⁽³⁾ |
|--|------------------|-------------------------------|-------------------------|--------------|-----------------|---|
| Synchronous | N/A | Back Channel ⁽¹⁾ | 23 - 26 | f × 160 | f × 128 | $f \times 160 / \text{HS_CLK_DIV} \times (M/N)$ |
| Synchronous (Half-rate) | N/A | Back Channel ⁽¹⁾ | 11.5 - 13 | f × 160 | f × 128 | $f \times 160 / \text{HS_CLK_DIV} \times (M/N)$ |
| Non-Synchronous external clock | CLKIN_DIV = b000 | External Clock ⁽²⁾ | 25 - 52 | f × 80 | f × 64 | $f \times 80 / \text{HS_CLK_DIV} \times (M/N)$ |
| | CLKIN_DIV = b001 | External clock ⁽²⁾ | 50 - 104 | f × 40 | f × 32 | $f \times 40 / \text{HS_CLK_DIV} \times (M/N)$ |
| Non-Synchronous Internal Clock | OSCCLK_SEL = 1 | Internal Clock | 48.4 - 51 | f × 80 | f × 64 | N/A |
| Non-Synchronous Internal Clock (Half-rate) | OSCCLK_SEL = 0 | Internal Clock | 24.2 - 25.5 | f × 80 | f × 64 | N/A |
| DVP External Clock Deserializer Mode: RAW10 | N/A | External clock | 25 - 66.5 | f × 28 | f × 20 | $f \times 28 / \text{HS_CLK_DIV} \times (M/N)$ |
| DVP External Clock Deserializer Mode: RAW12 HF | N/A | External clock | 25 - 70 | f × 28 | f × 18 | $f \times 28 / \text{HS_CLK_DIV} \times (M/N)$ |

- (1) The back channel is recovered from the FPD-Link III bidirectional control channel. A local reference clock source is not required. Refer to the deserializer data sheet for the back channel frequency settings.
- (2) A local reference clock source is required. Provide a clock source to the DS90UB953A-Q1's CLKIN pin.
- (3) HS_CLK_DIV typically must be set to either 16, 8, or 4 (default).

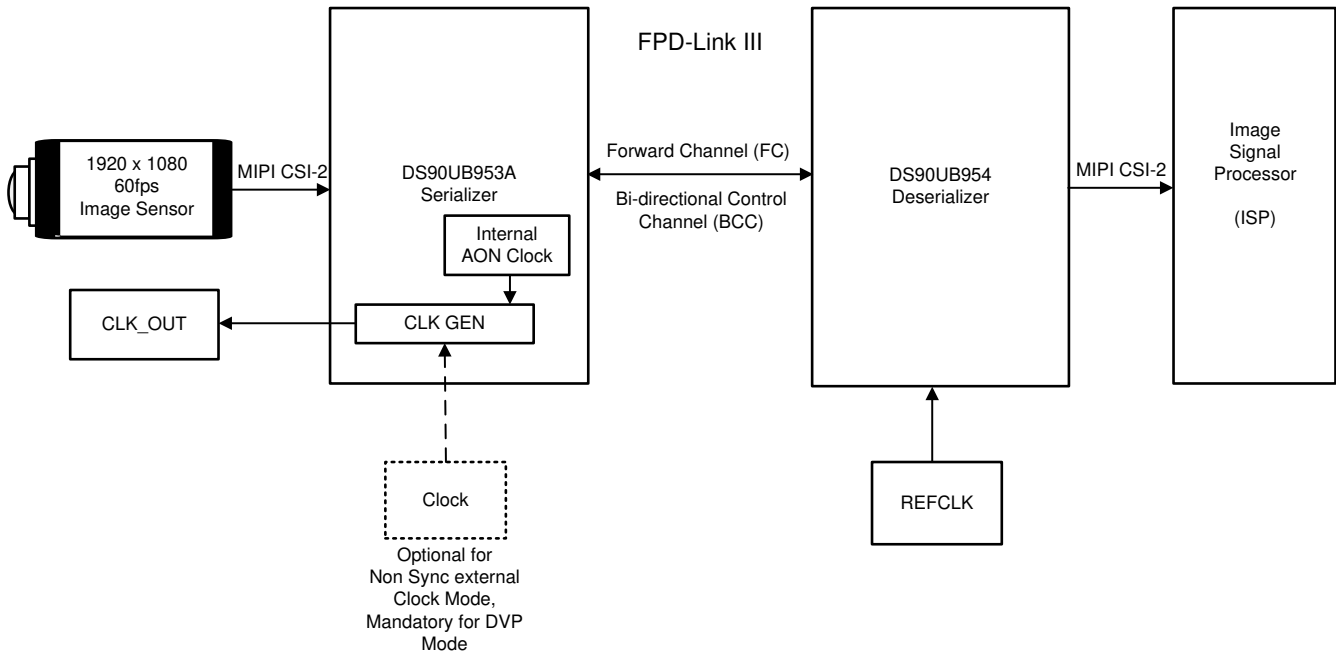


Figure 6-6. Clocking System Diagram

6.4.1.1 Synchronous Mode

Operation in synchronous mode offers the advantage that the receiver and all of the sensors in a multi-sensor system are locked to a common clock in the same clock domain, which reduces or eliminates the need for data buffering and resynchronization. The synchronous clocking mode also eliminates the cost, space, and potential failure point of a reference oscillator within the sensor module.

In this mode, a clock is passed from the deserializer to the serializer through the FPD-Link III back channel, and the serializer is able to use this clock both as a reference clock for an attached image sensor, as well as a reference clock for the link back to the deserializer (FPD-Link III forward channel). For operation in this mode, the DS90UB953A-Q1 must be paired with a deserializer that can support this feature such as the DS90UB954-Q1, DS90UB936-Q1, DS90UB962-Q1, or the DS90UB960-Q1.

6.4.1.2 Non-Synchronous Clock Mode

In the non-synchronous clock mode, the external reference clock is supplied to the serializer. The serializer uses this clock to derive the FPD-Link III forward channel and an external reference clock for an attached image sensor. When in CSI-2 mode, the CSI-2 interface can be synchronous to this clock. The CSI-2 rate must be lower than the line rate. For example, with a 52MHz clock, the FPD-Link III forward channel rate is 4.16Gbps, and the CSI-2 throughput must be ≤ 3.32 Gbps (see [Table 6-8](#)).

6.4.1.3 Non-Synchronous Internal Mode

In the non-synchronous internal clocking mode, the serializer uses the internal Always-on Clock (AON) as the reference clock for the forward channel. The OSCCLK_SEL select must be asserted (0x05[3]=1) to enable maximum data rate when using internal clock mode, and the CLK_OUT function must be disabled. A separate reference is provided to the image sensor or ISP. The CSI-2 rate must be lower than the line rate. The CSI-2 rate must meet the equations shown in [Table 6-8](#).

6.4.1.4 DVP Backwards Compatibility Mode

The DS90UB953A-Q1 can be placed into DVP mode to be backward-compatible with the DS90UB964-Q1, DS90UB934-Q1 or DS90UB914A-Q1. While the mode should have been configured using the Mode pin on the DS90UB953A-Q1, the register MODE_SEL register 0x03[2:0] can be used to verify or override the current mode. This field always indicates the mode setting of the device. When bit 4 of this register is 0, this field is read-only and shows the mode setting. Mode is latched from strap value when PDB transitions LOW to HIGH, and the value should read back 101 (0x5) if the resistive strap is set correctly to DVP external clock backward-compatible mode. Alternatively, when bit 4 of this register is set to 1, the MODE field is read/write and can be programmed to 101 to assign the correct backward-compatible MODE. This is shown in [Table 6-16](#).

CSI-2 input data provided to the DS90UB953A-Q1 must be synchronized to the input frequency applied to CLKIN when using DVP external clock mode. The PCLK frequency output from the DS90UB934-Q1 or DS90UB914A-Q1 deserializer is related to CLKIN when in DVP external clock mode. See [Backward compatibility modes for operation with parallel output deserializers](#) (SNLA270) for more information.

Table 6-9. List of Registers Used for DVP Configuration

| REGISTER | REGISTER NAME | REGISTER DESCRIPTION |
|----------|----------------|--|
| 0X03 | MODE_SEL | Used to override and verify strapped value, if necessary, and to configure for DVP with an external clock. |
| 0X04 | BC_MODE_SELECT | Allows DVP mode overwrites to RAW 10 or RAW 12. |
| 0X10 | DVP_CFG | Allows configuration of data in DVP mode. This includes data types like long, YUV, and specified types. |
| 0X11 | DVP_DT | Allows packets with certain data type regardless of RAW 10 or 12 mode if DVP_DT_MATCH_EN is asserted. |

6.4.1.5 Configuring CLK_OUT

When using the DS90UB953A-Q1 in either synchronous or non-synchronous external clock modes, CLK_OUT is intended as a reference clock for the image sensor. CLK_OUT functionality is disabled when operating in non-synchronous internal clocking mode. The frequency of the external CLK_OUT is set by (see [Equation 1](#) and [Equation 2](#)).

$$\text{CLK_OUT} = \text{FC} \times \frac{\text{M}}{\text{HS_CLK_DIV} \times \text{N}} \quad (1)$$

where

- FC is the forward channel data rate, and M, HS_CLK_DIV, and N are parameters set by registers 0x06 and 0x07

$$\frac{\text{FC}}{\text{HS_CLK_DIV}} < 1.05 \text{ GHz} \quad (2)$$

The PLL that generates CLK_OUT is a digital PLL, and as such, has very low jitter if the ratio N/M is an integer. If N/M is not an integer, then the jitter on the signal is approximately equal to HS_CLK_DIV/FC—so if not possible to have an integer ratio of N/M, then select a smaller value for HS_CLK_DIV.

If a particular CLK_OUT frequency, such as 37.125MHz, is required for a system, the designer can select the values M=9, N=0xF2, and HS_CLK_DIV=4 to achieve an output frequency of 37.190MHz and a frequency error of 0.175% with an associate jitter of approximately 1ns. Alternately, the designer can use M=1, N=0x1B, HS_CLK_DIV=4 for CLK_OUT = 37.037MHz, and a frequency error of 0.24% for less jitter. A third alternative is to use M=1, N=0x1B, and HS_CLK_DIV=4, but rather than using a 25.000MHz reference clock frequency (REFCLK) for the deserializer in synchronous mode, use a frequency of 25.059MHz. The 2x reference then fed to the DS90UB953A-Q1 from the deserializer back channel allows generating CLK_OUT = 37.124MHz with both low jitter and a low frequency error.

6.4.2 MODE

The DS90UB953A-Q1 can operate in one of four different modes. The user can apply the bias voltage to the MODE pin during power up to operate in default mode. To set this voltage, a potential divider between VDDPLL and GND is used to apply the appropriate bias. This potential divider should be referenced to the potential on the VDDD pin. After power up, the MODE can be read or changed through register access.

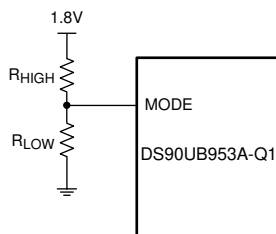


Figure 6-7. MODE Configuration

Table 6-10. Strap Configuration Mode Select

| MODE SELECT | | V _{TARGET} VOLTAGE RANGE | | | V _{TARGET} STRAP VOLTAGE | SUGGESTED STRAP RESISTORS (1% TOL) | | DESCRIPTION |
|-------------|--------------------------------|-----------------------------------|----------------------------|----------------------------|-----------------------------------|------------------------------------|-----------------------|--|
| MODE | NAME | RATIO MIN | RATIO TYP | RATIO MAX | V _(VDD) = 1.8V | R _{HIGH} (kΩ) | R _{LOW} (kΩ) | |
| 0 | Synchronous | 0 | 0 | 0.133 x V _(VDD) | 0 | OPEN | 10 | CSI-2 Synchronous mode – FPD-Link III Clock reference derived from the deserializer. |
| 2 | Non-Synchronous External Clock | 0.288 x V _(VDD) | 0.325 x V _(VDD) | 0.367 x V _(VDD) | 0.586 | 75 | 35.7 | CSI-2 Non-synchronous clock – FPD-Link III Clock reference derived from external clock reference input on CLKIN pin. |
| 3 | Non-Synchronous Internal Clock | 0.412 x V _(VDD) | 0.443 x V _(VDD) | 0.474 x V _(VDD) | 0.792 | 71.5 | 56.2 | CSI-2 Non-synchronous – FPD-Link III Clock reference derived from internal AON clock. |
| 5 (1) | DVP Mode | 0.642 x V _(VDD) | 0.673 x V _(VDD) | 0.704 x V _(VDD) | 1.202 | 39.2 | 78.7 | DVP with External clock. |

- (1) The DS90UB934-Q1 and DS90UB914A-Q1 deserializers also contain a Mode pin (21). However, the mode pin on the deserializer determines the expected data format: RAW10, RAW12 LF, or RAW12 HF. Note that RAW12 LF is not supported on the DS90UB953A-Q1.

6.5 Programming

6.5.1 I2C Interface Configuration

This serializer can be configured by the use of an I2C-compatible serial control bus. Multiple devices can share the serial control bus (up to two device addresses are supported). The device address is set through a resistor divider (R_{HIGH} and R_{LOW} – see Figure 6-8) connected to the IDX pin.

6.5.1.1 CLK_OUT/IDX

The CLK_OUT/IDX pin serves two functions. At power up, the voltage on the IDX pin is compared to VDD and the ratio sets various parameters for configuration of the DS90UB953A-Q1. After the DS90UB953A-Q1 is configured, the CLK_OUT/IDX pin switches over to a clock source, intended to provide a reference clock to the image sensor. A minimum load impedance at the CLK_OUT/IDX pin of 35 k Ω is required when using the CLK_OUT function.

6.5.1.1.1 IDX

The IDX pin configures the control interface to one of two possible device addresses—either the 1.8V or 3.3V referenced I2C address. A pullup resistor and a pulldown resistor must be used to set the appropriate voltage on the IDX input pin. The IDX resistor divider must be referred to Pin #25 (after the ferrite filter on the DS90UB953A-Q1 pin side).

Table 6-11. IDX Configuration Setting

| IDX | V_{TARGET} VOLTAGE RANGE | | | V_{IDX} TARGET VOLTAGE | SUGGESTED STRAP RESISTORS (1% TOL) | | I2C 8-BIT ADDRESS | I2C 7-BIT ADDRESS | $V_{(I2C)}$ (I2C I/O VOLTAGE) |
|-----|----------------------------|-----------------------|-----------------------|--------------------------|------------------------------------|-------------------------|-------------------|-------------------|-------------------------------|
| | RATIO MIN | RATIO TYP | RATIO MAX | $V_{VDD} = 1.8V$ | R_{HIGH} (k Ω) | R_{LOW} (k Ω) | | | |
| 1 | 0 | 0 | 0.131 x $V_{(VDD18)}$ | 0 | Open | 40.2 | 0x30 | 0x18 | 1.8V |
| 2 | 0.178 x $V_{(VDD18)}$ | 0.214 x $V_{(VDD18)}$ | 0.256 x $V_{(VDD18)}$ | 0.385 | 180 | 47.5 | 0x32 | 0x19 | 1.8V |
| 3 | 0.537 x $V_{(VDD18)}$ | 0.564 x $V_{(VDD18)}$ | 0.591 x $V_{(VDD18)}$ | 1.015 | 82.5 | 102 | 0x30 | 0x18 | 3.3V |
| 4 | 0.652 x $V_{(VDD18)}$ | 0.679 x $V_{(VDD18)}$ | 0.706 x $V_{(VDD18)}$ | 1.223 | 68.1 | 137 | 0x32 | 0x19 | 3.3V |

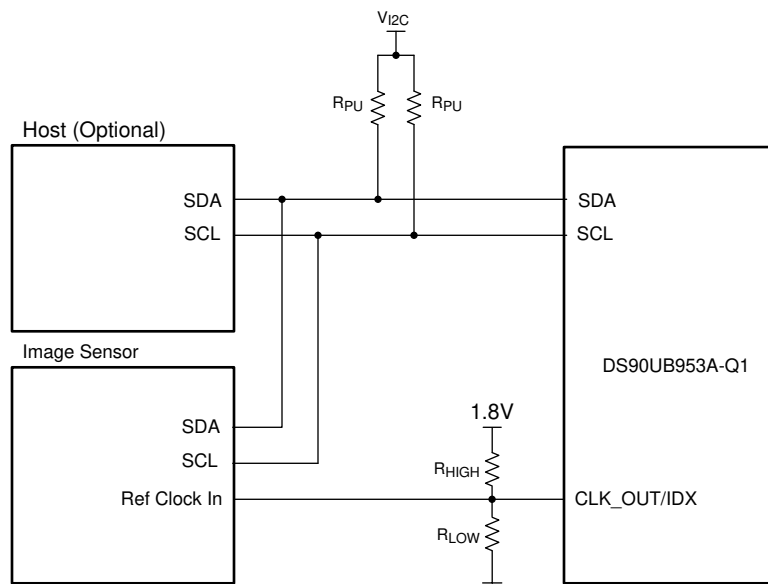


Figure 6-8. Circuit to Bias IDX Pin

6.5.2 I2C Interface Operation

The serial control bus consists of two signals: SCL and SDA. SCL is a Serial Bus Clock Input / Output signal and the SDA is the Serial Bus Data Input / Output signal. Both SCL and SDA signals require an external pullup resistor to V_{I2C} , chosen to be either 1.8V or 3.3V.

For the standard and fast I2C modes, a pullup resistor of $R_{PU} = 4.7k\Omega$ is recommended, while a pullup resistor of $R_{PU} = 470\Omega$ is recommended for the fast plus mode. However, the pullup resistor value can be additionally adjusted for capacitive loading and data rate requirements. The signals are either pulled High or driven Low. The IDX pin configures the control interface to one of two possible device addresses. A pullup resistor (R_{HIGH}) and a pulldown resistor (R_{LOW}) can be used to set the appropriate voltage on the IDX input pin.

The Serial Bus protocol is controlled by START, START-Repeated, and STOP phases. A START occurs when SDA transitions Low while SCL is High. A STOP occurs when SDA transitions High while SCL is also HIGH. See Figure 6-9.

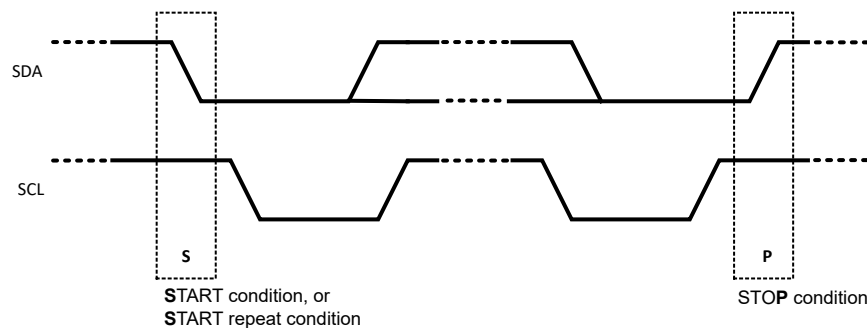


Figure 6-9. Start and Stop Conditions

To communicate with an I2C target, the host controller (controller) sends data to the target address and waits for a response. This response is referred to as an acknowledge bit (ACK). If a target on the bus is addressed correctly, the target Acknowledges (ACKs) the controller by driving the SDA bus low. If the address does not match a target address of the device, the target Not-acknowledges (NACKs) the controller by pulling the SDA High. ACKs also occur on the bus when data is being transmitted. When the controller is writing data, the target ACKs after every data byte is successfully received. When the controller is reading data, the controller ACKs after every data byte is received to let the target know that the controller wants to receive another data byte. When the controller wants to stop reading, the controller NACKs after the last data byte and creates a stop condition on the bus. All communication on the bus begins with either a start condition or a repeated start condition. All communication on the bus ends with a stop condition. A READ is shown in Figure 6-10 and a WRITE is shown in Figure 6-11.

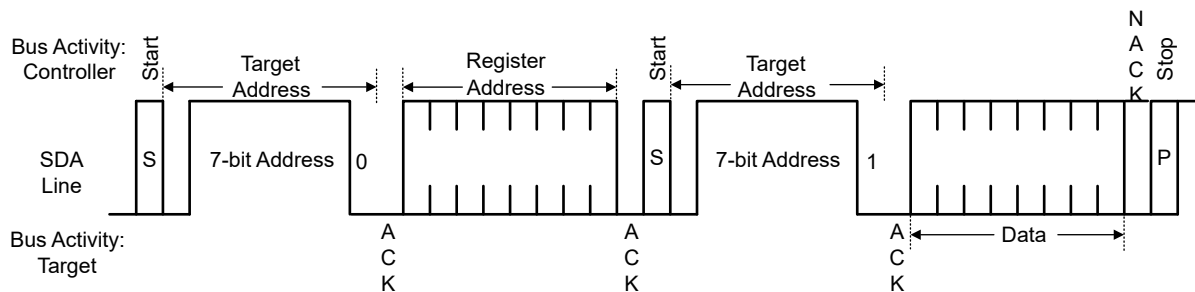


Figure 6-10. I2C Bus Read

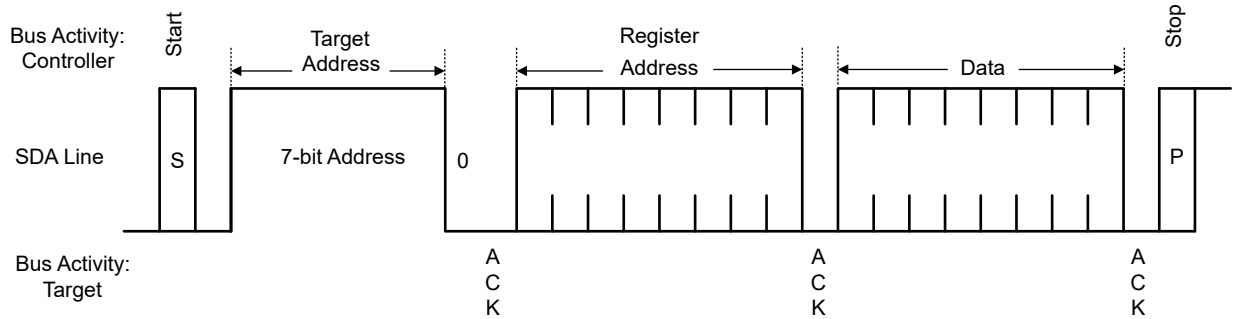


Figure 6-11. I2C Bus Write

Any I2C controller located at the serializer must support I2C clock stretching. For more information on I2C interface requirements and throughput considerations, refer to the TI application note [I2C communication over FPD-Link III with bidirectional control channel](#) (SNLA131).

6.5.3 I2C Timing

The proxy controller timing parameters are based on the internal reference clock. The I2C controller regenerates the I2C read or write access using timing controls in registers 0x0B and 0x0C to regenerate the clock and data signals to meet the desired I2C timing in standard, fast, or fast-plus modes of operation.

I2C controller SCL high time is set in register 0x0B. This field configures the high pulse width of the SCL output when the serializer is the controller on the local I2C bus. The default value is set to provide a minimum 5 μ s SCL high time with the internal reference clock at 26.25MHz including five additional oscillator clock periods or synchronization and response time. Units are 38.1ns for the nominal oscillator clock frequency, giving $\text{Min_delay} = 38.1\text{ns} \times (\text{SCL_HIGH_TIME} + 5)$.

I2C controller SCL low time is set in register 0x0C. This field configures the low pulse width of the SCL output when the serializer is the controller on the local deserializer I2C bus. This value is also used as the SDA setup time by the I2C target for providing data prior to releasing SCL during accesses over the bidirectional control channel. The default value is set to provide a minimum 5 μ s SCL high time with the reference clock at 26.25MHz including five additional oscillator clock periods or synchronization and response time. Units are 38.1ns for the nominal oscillator clock frequency, giving $\text{Min_delay} = 38.1\text{ns} \times (\text{SCL_HIGH_TIME} + 5)$. See [Table 6-12](#) example settings for standard mode, fast mode, and fast mode plus timing.

Table 6-12. Typical I2C Timing Register Settings

| I2C MODE | SCL HIGH TIME | | SCL LOW TIME | |
|-------------|---------------|---------------|--------------|---------------|
| | 0x0B | NOMINAL DELAY | 0x0C | NOMINAL DELAY |
| Standard | 0x7F | 5.03 μ s | 0x7F | 5.03 μ s |
| Fast | 0x13 | 0.914 μ s | 0x26 | 1.64 μ s |
| Fast - Plus | 0x06 | 0.419 μ s | 0x0B | 0.648 μ s |

6.6 Pattern Generation

The DS90UB953A-Q1 supports an internal pattern generation feature to provide a simple way to generate video test patterns for the CSI-2 transmitter outputs. Two types of patterns are supported: Reference color bar patterns and fixed color patterns accessed by the pattern generator page 0 in the indirect register set. See [Section 6.7.2](#) for more information on internal registers.

6.6.1 Reference Color Bar Pattern

The reference color bar patterns are based on the pattern defined in Appendix D of the mipi_CTS_for_D-PHY_v1-1_r03 specification. The pattern is an 8-color bar pattern designed to provide high, low, and medium frequency outputs on the CSI-2 transmit data lanes.

The CSI-2 reference pattern provides 8 color bars by default with the following byte data for the color bars: X bytes of 0xAA (high-frequency pattern, inverted), X bytes of 0x33 (mid-frequency pattern), X bytes of 0xF0 (low-frequency pattern, inverted), X bytes of 0x7F (lone 0 pattern), X bytes of 0x55 (high-frequency pattern), X bytes of 0xCC (mid-frequency pattern, inverted), X bytes of 0x0F (low-frequency pattern), and Y bytes of 0x80 (long 1 pattern). In most cases, Y will be the same as X. For certain data types, the last color bar may need to be larger than the others to properly fill the video line dimensions.

The pattern generator is programmable with the following options:

- Number of color bars (1, 2, 4, or 8)
- Number of bytes per line
- Number of bytes per color bar
- CSI-2 datatype field and VC-ID
- Number of active video lines per frame
- Number of total lines per frame (active plus blanking)
- Line period (possibly program in units of 10ns)
- Vertical front porch – number of blank lines prior to the FrameEnd packet
- Vertical back porch – number of blank lines following the FrameStart packet

The pattern generator relies on proper programming by software to ensure the color bar widths are set to multiples of the block (or word) size required for the specified datatype. For example, for RGB888, the block size is 3 bytes which also matches the pixel size. In this case, the number of bytes per color bar must be a multiple of 3. The pattern generator is implemented in the CSI-2 transmit clock domain, providing the pattern directly to the CSI-2 transmitter. The circuit generates the CSI-2 formatted data.

6.6.2 Fixed Color Patterns

When programmed for fixed color pattern mode, the pattern generator can generate a video image with a programmable fixed data pattern. The basic programming fields for image dimensions are the same as used with the color bar patterns. When sending fixed color patterns, the color bar controls allow the user to alternate between the fixed pattern data and the bit-wise inverse of the fixed pattern data.

The fixed color patterns assume a fixed block size for the byte pattern. The block size is programmable through a register and is designed to support most 8-bit, 10-bit, and 12-bit pixel formats. The block size should be set based on the pixel size converted to blocks that are an integer multiple of bytes. For example, an RGB888 pattern would consist of 3-byte pixels and would therefore require a 3-byte block size. A 2x12-bit pixel image would also require 3-byte block size, while a 3x12-bit pixel image would require 9 bytes (2 pixels) to send an integer number of bytes. Sending a RAW10 pattern typically requires a 5-byte block size for 4 pixels, so 1x10-bit and 2x10-bit could both be sent with a 5-byte block size. For 3x10-bit, a 15-byte block size would be required.

The fixed color patterns support block sizes up to 16 bytes in length, allowing additional options for patterns in some conditions. For example, an RGB888 image could alternate between four different pixels by using a twelve-byte block size. An alternating black and white RGB888 image could be sent with a block size of 6-bytes by setting the first three bytes to 0xFF and the next three bytes to 0x00.

To support up to 16-byte block sizes, a set of sixteen registers are implemented to allow programming the value for each data byte.

6.6.3 Packet Generator Programming

The information in this section provides details on how to program the pattern generator to provide a specific color bar pattern, based on datatype, frame size, and line size.

Most basic configuration information is determined directly from the expected video frame parameters. The requirements should include the datatype, frame rate (frames per second), number of active lines per frame, number of total lines per frame (active plus blanking), and number of pixels per line.

- PGEN_ACT_LPF – Number of active lines per frame
- PGEN_TOT_LPF – Number of total lines per frame
- PGEN_LSIZE – Video line length size in bytes. Compute based on pixels per line multiplied by pixel size in bytes
- CSI-2 DataType field and VC-ID.
- Optional: PGEN_VBP – Vertical back porch. This is the number of lines of vertical blanking following Frame Valid.
- Optional: PGEN_VFP – Vertical front porch. This is the number of lines of vertical blanking preceding Frame Valid.
- PGEN_LINE_PD – Line period in 40/FC units. Compute based on Frame Rate, total lines per frame, and Forward Channel Rate.
 - PGEN Line Period = $1 / (\text{Frame rate} * \text{PGEN_TOT_LPF}) * \text{Forward Channel Rate (Gbps)} / 40$
- PGEN_BAR_SIZE – Color bar size in bytes. Compute based on datatype and line length in bytes (see details below).

6.6.3.1 Determining Color Bar Size

The color bar pattern should be programmed in units of a block or word size dependent on the datatype of the video being sent. The sizes are defined in the MIPI CSI-2 specification. For example, RGB888 requires a 3-byte block size which is the same as the pixel size. RAW10 requires a 5-byte block size which is equal to 4 pixels. RAW12 requires a 3-byte block size which is equal to 2 pixels.

When programming the Pattern Generator, software should compute the required bar size in bytes based on the line size and the number of bars. For the standard 8-color bar pattern, that would require the following algorithm:

- Select the desired datatype, and a valid length for that datatype (in pixels).
- Convert pixels/line to blocks/line (by dividing by the number of pixels/block, as defined in the datatype specification).
- Divide the blocks/line result by the number of color bars (8), giving blocks/bar.
- Round result down to the nearest integer.
- Convert blocks/bar to bytes/bar and program that value into the PGEN_BAR_SIZE register.

As an alternative, the blocks/line can be computed by converting pixels/line to bytes/line and dividing by bytes/block.

6.6.4 Code Example for Pattern Generator

```
#Patgen RGB888 1920x1080p30 Fixed 8 Colorbar
writeI2C(0xB0,0x00) # Indirect Pattern Gen Registers
writeI2C(0xB1,0x01) # PGEN_CTL
writeI2C(0xB2,0x01)
writeI2C(0xB1,0x02) # PGEN_CFG
writeI2C(0xB2,0x33)
writeI2C(0xB1,0x03) # PGEN_CSI_DI
writeI2C(0xB2,0x24) # RGB888
writeI2C(0xB1,0x04) # PGEN_LINE_SIZE1
writeI2C(0xB2,0x16)
writeI2C(0xB1,0x05) # PGEN_LINE_SIZE0
writeI2C(0xB2,0x80)
writeI2C(0xB1,0x06) # PGEN_BAR_SIZE1
writeI2C(0xB2,0x02)
writeI2C(0xB1,0x07) # PGEN_BAR_SIZE0
writeI2C(0xB2,0xD0)
writeI2C(0xB1,0x08) # PGEN_ACT_LPF1
writeI2C(0xB2,0x04)
writeI2C(0xB1,0x09) # PGEN_ACT_LPF0
writeI2C(0xB2,0x38)
writeI2C(0xB1,0x0A) # PGEN_TOT_LPF1
writeI2C(0xB2,0x04)
writeI2C(0xB1,0x0B) # PGEN_TOT_LPF0
writeI2C(0xB2,0x65)
writeI2C(0xB1,0x0C) # PGEN_LINE_PD1
writeI2C(0xB2,0x0B)
writeI2C(0xB1,0x0D) # PGEN_LINE_PD0
writeI2C(0xB2,0x93)
writeI2C(0xB1,0x0E) # PGEN_VBP
writeI2C(0xB2,0x21)
writeI2C(0xB1,0x0F) # PGEN_VFP
writeI2C(0xB2,0x0A)
```

6.7 Register Maps

In the register definitions under the *TYPE* and *DEFAULT* heading, the following definitions apply:

- R = Read only access
- R/W = Read / Write access
- R/RC = Read only access, Read to Clear
- (R/W)/SC = Read / Write access, Self-Clearing bit
- (R/W)/S = Read / Write access, Set based on strap pin configuration at start-up
- LL = Latched Low and held until read
- LH = Latched High and held until read
- S = Set based on strap pin configuration at start-up

6.7.1 Main Registers

6.7.1.1 I2C Device ID Register

Table 6-13. Device ID Register (Address 0x00)

| BIT | FIELD | TYPE | DEFAULT | DESCRIPTION |
|-----|-----------------|--------|---------|---|
| 7:1 | DEVICE_ID | S, R/W | S | 7-bit I2C ID of Serializer. This field always indicates the current value of the I2C ID. When bit 0 of this register is 0, this field is read-only and shows the strapped ID. When bit 0 of this register is 1, this field is read/write and can be used to assign any valid I2C ID. |
| 0 | SER_ID_OVERRIDE | R/W | 0x0 | 0: Device ID is from strap 1: Register I2C Device ID overrides strapped value |

6.7.1.2 Reset

Table 6-14. RESET_CTL Register (Address 0x01)

| BIT | FIELD | TYPE | DEFAULT | DESCRIPTION |
|-----|------------------|----------|---------|--|
| 7:3 | RESERVED | R/W | 0x00 | Reserved. |
| 2 | RESTART_AUTOLOAD | (R/W)/SC | 0x0 | Restart ROM Auto-load. Setting this bit to 1 causes a reload of the ROM. This bit is self-clearing. |
| 1 | DIGITAL_RESET_1 | (R/W)/SC | 0x0 | Digital Reset 1. Resets the entire digital block including registers. This bit is self-clearing. 1: Reset 0: Normal operation |
| 0 | DIGITAL_RESET_0 | (R/W)/SC | 0x0 | Digital Reset 0. Resets the entire digital block except registers. This bit is self-clearing. 1: Reset 0: Normal operation |

6.7.1.3 General Configuration

Table 6-15. General_CFG (Address 0x02)

| BIT | FIELD | TYPE | DEFAULT | DESCRIPTION |
|-----|--------------|------|---------|--|
| 7 | RESERVED | R/W | 0x0 | Reserved. |
| 6 | CONTS_CLK | R/W | 0x0 | CSI-2 Clock Lane Configuration. 0 : Non Continuous Clock 1 : Continuous Clock |
| 5:4 | CSI_LANE_SEL | R/W | 0x3 | CSI-2 Data lane configuration. 00: 1-lane configuration 01: 2-lane configuration 11: 4-lane configuration |
| 3:2 | RESERVED | R/W | 0x0 | Reserved. |

Table 6-15. General_CFG (Address 0x02) (continued)

| BIT | FIELD | TYPE | DEFAULT | DESCRIPTION |
|-----|-------------------|--------|---------|--|
| 1 | CRC_TX_GEN_ENABLE | R/W | 0x1 | Transmitter CRC Generator. 0: Disable 1: Enable |
| 0 | I2C_STRAP_MODE | S, R/W | S | I2C Strap Mode. This field indicates the I2C voltage level of the device. Upon device start-up, this field will display the I2C voltage level setting from the strapped IDX pin. This field is write capable and can be used to assign the I2C voltage level. Programming this bit to change the I2C voltage level should only be performed remotely over the back channel from a connected deserializer. 0: 3.3V 1: 1.8V |

6.7.1.4 Forward Channel Mode Selection

Table 6-16. MODE_SEL (Address 0x03)

| BIT | FIELD | TYPE | DEFAULT | DESCRIPTION |
|-----|-----------|--------|---------|--|
| 7 | RESERVED | R/W | 0x0 | Reserved. |
| 6 | RESERVED | S, R | S | Reserved. |
| 5 | RESERVED | R/W | 0x0 | Reserved. |
| 4 | MODE_OV | R/W | 0x0 | 0: Serializer Mode from the strapped MODE pin 1: Register Mode overrides strapped value |
| 3 | MODE_DONE | R | 0x0 | Indicates MODE value has stabilized and been latched. |
| 2:0 | MODE | S, R/W | S | This field always indicates the MODE setting of the device. When bit 4 of this register is 0, this field is read-only and shows the Mode Setting. When bit 4 of this register is 1, this field is read/write and can be used to assign MODE. Mode is latched from strap value when PDB transitions LOW to HIGH. Mode of operation: 000: CSI-2 Synchronous Mode 001: Reserved 010: CSI-2 Non-synchronous external clock Mode (Requires a local clock source) 011: CSI-2 Non-synchronous Internal AON Clock 101: DVP External Clock Backward-Compatible Mode (Requires local clock source) |

6.7.1.5 BC_MODE_SELECT

Table 6-17. BC_MODE_SELECT (Address 0x04)

| BIT | FIELD | TYPE | DEFAULT | DESCRIPTION |
|-----|---------------------|------|---------|---|
| 7:3 | RESERVED | R/W | 0x0 | Reserved. |
| 2 | MODE_OVERWRITE_100m | R/W | 0x0 | 28-bit RAW 10 Mode operation. Backward-compatible RAW 10 DVP mode (28-bit) is automatically configured by the Bidirectional Control Channel once RX lock has been detected. Software may overwrite the value, but must also set the DVP_MODE_OVER_EN to prevent overwriting by the Bidirectional Control Channel. |
| 1 | MODE_OVERWRITE_75m | R/W | 0x0 | 28-bit RAW 12 Mode operation. Backward-compatible RAW 12 HF DVP mode (28-bit) is automatically configured by the Bidirectional Control Channel once RX lock has been detected. Software may overwrite the value, but must also set the DVP_MODE_OVER_EN to prevent overwriting by the Bidirectional Control Channel. |
| 0 | DVP_MODE_OVER_EN | R/W | 0x0 | Prevent auto-loading of the backward-compatible DVP mode (28-bit) operation by the Bidirectional Control Channel. |

6.7.1.6 PLL Clock Control

Table 6-18. PLLCLK_CTRL Register (Address 0x05)

| BIT | FIELD | TYPE | DEFAULT | DESCRIPTION |
|-----|------------|------|---------|---|
| 7 | RESERVED | R/W | 0x0 | Reserved. |
| 6:4 | CLKIN_DIV | R/W | 0x0 | CLKIN clock divide ratio to generate internal reference. 3'b000 : CLKIN Div by 1 3'b001 : CLKIN Div by 2 3'b010 : CLKIN Div by 4 3'b011 : CLKIN Div by 8 3'b100 - 3'b111 : RESERVED |
| 3 | OSCCLK_SEL | R/W | 0x0 | Internally generated OSC clock reference when operating with Non-Synchronous internal clock or external system clock not detected. 0: 24.2MHz to 25.5MHz., set for 2Gbps line rate 1: 48.4MHz to 51MHz, set for 4 Gbps line rate. |
| 2:0 | RESERVED | R/W | 0x3 | Reserved. |

6.7.1.7 Clock Output Control 0

The DS90UB953A-Q1 provides an option for a programmable reference output clock to meet the system clock input requirements of various sensors. The control of the clock output frequency is set by the input divider and M value in register 0x06 and the N value in register 0x07.

Table 6-19. CLKOUT_CTRL0 (Address 0x06)

| BIT | FIELD | TYPE | DEFAULT | DESCRIPTION |
|-----|------------|------|---------|---|
| 7:5 | HS_CLK_DIV | R/W | 0x2 | Clock source of M/N divider is based on the forward channel data rate divided by this register field. 000: Div by 1 001: Div by 2 010: Div by 4 011: Div by 8 100: Div by 16 |
| 4:0 | DIV_M_VAL | R/W | 0x01 | M value for M/N divider for CLKOUT. CLKOUT can be programmed using the M/N ratio of an internal high-speed clock to generate a clock output based on the system sensor requirement. When selecting the M/N ratio, they should be set to yield the CLKOUT frequency less than 100MHz. The M value should be ≥ 0 . Setting M to 0 will disable CLKOUT and output will remain static high or low. |

6.7.1.8 Clock Output Control 1

The DS90UB953A-Q1 provides option for a programmable reference output clock to meet the system clock input requirements of various sensors. The control of the clock output frequency is set by the input divider and M value in register 0x06 and the N value in register 0x07.

Table 6-20. CLKOUT_CTRL1 (Address 0x07)

| BIT | FIELD | TYPE | DEFAULT | DESCRIPTION |
|-----|-----------|------|---------|---|
| 7:0 | DIV_N_VAL | R/W | 0x28 | N value for M/N divider for CLKOUT. CLKOUT can be programmed using the M/N ratio of an internal high-speed clock to generate a clock output based on the system sensor requirement. When selecting the M/N ratio, they should be set to yield the CLKOUT frequency less than 100MHz. N must be set to non-zero value. |

6.7.1.9 Back Channel Watchdog Control

Table 6-21. BCC_WATCHDOG (Address 0x08)

| BIT | FIELD | TYPE | DEFAULT | DESCRIPTION |
|-----|----------------------|------|---------|--|
| 7:1 | BCC_WD_TIMER | R/W | 0x7F | BCC_WD_TIMER sets the Bidirectional Control Channel Watchdog Timeout value in units of 2 milliseconds. This field should not be set to 0. The watchdog timer allows termination of a control channel transaction if it fails to complete within a programmed amount of time. |
| 0 | BCC_WD_TIMER_DISABLE | R/W | 0x0 | Disable Bidirectional Control Channel Watchdog Timer. 1: Disables BCC Watchdog Timer operation 0: Enables BCC Watchdog Timer operation |

6.7.1.10 I2C Control 1

Table 6-22. I2C_CONTROL1 (Address 0x09)

| BIT | FIELD | TYPE | DEFAULT | DESCRIPTION |
|-----|-------------------|------|---------|---|
| 7 | LCL_WRITE_DISABLE | R/W | 0x0 | Disable Remote Writes to Local Registers. Setting this bit to a 1 prevents remote writes to local device registers from across the control channel. This prevents writes to the Serializer registers from an I2C controller attached to the deserializer. Setting this bit does not affect remote access to I2C targets at the Serializer. |
| 6:4 | I2C_SDA_HOLD | R/W | 0x1 | Internal SDA Hold Time. This field configures the amount of internal hold time provided for the SDA input relative to the SCL input. Units are 50 nanoseconds. |
| 3:0 | I2C_FILTER_DEPTH | R/W | 0xE | I2C Glitch Filter Depth. This field configures the maximum width of glitch pulses on the SCL and SDA inputs that are rejected. Units are 5 nanoseconds. |

6.7.1.11 I2C Control 2

Table 6-23. I2C_CONTROL2 (Address 0x0A)

| BIT | FIELD | TYPE | DEFAULT | DESCRIPTION |
|-----|-----------------------|------|---------|--|
| 7:4 | SDA_OUTPUT_SETUP | R/W | 0x1 | Remote Ack SDA Output Setup. When a Control Channel (remote) access is active, this field configures setup time from the SDA output relative to the rising edge of SCL during ACK cycles. Setting this value increases setup time in units of 640ns. The nominal output setup time value for SDA to SCL when this field is 0 is 80ns. |
| 3:2 | SDA_OUTPUT_DELAY | R/W | 0x0 | SDA Output Delay. This field configures additional delay on the SDA output relative to the falling edge of SCL. Setting this value increases output delay in units of 40ns. Nominal output delay values for SCL to SDA are: 00 : 240ns 01: 280ns 10: 320ns 11: 360ns |
| 1 | I2C_BUS_TIMER_SPEEDUP | R/W | 0x0 | Speed up I2C Bus Watchdog Timer. 1: Watchdog Timer expires after approximately 50 microseconds 0: Watchdog Timer expires after approximately 1 second. |
| 0 | I2C_BUS_TIMER_DISABLE | R/W | 0x0 | Disable I2C Bus Watchdog Timer. When the I2C Bus Watchdog Timer may be used to detect when the I2C bus is free or hung up following an invalid termination of a transaction. If SDA is high and no signalling occurs for approximately 1 second, the I2C bus is assumed free. If SDA is low and no signaling occurs, the device attempts to clear the bus by driving 9 clocks on SCL. |

6.7.1.12 SCL High Time

Table 6-24. SCL_HIGH_TIME (Address 0x0B)

| BIT | FIELD | TYPE | DEFAULT | DESCRIPTION |
|-----|---------------|------|---------|---|
| 7:0 | SCL_HIGH_TIME | R/W | 0x7F | I2C Controller SCL High Time. This field configures the high pulse width of the SCL output when the Serializer is the Controller on the local I2C bus. Units are 38.1ns for the nominal oscillator clock frequency of 26.25MHz.. The default value is set to provide a minimum 5µs SCL high time with the internal oscillator clock running at 26.25MHz.. Delay includes 5 additional oscillator clock periods. Min_delay = 38.0952ns × (SCL_HIGH_TIME + 5) |

6.7.1.13 SCL Low Time

Table 6-25. SCL_LOW_TIME (Address 0x0C)

| BIT | FIELD | TYPE | DEFAULT | DESCRIPTION |
|-----|--------------|------|---------|---|
| 7:0 | SCL_LOW_TIME | R/W | 0x7F | I2C SCL Low Time. This field configures the low pulse width of the SCL output when the Serializer is the Controller on the local I2C bus. This value is also used as the SDA setup time by the I2C Target for providing data prior to releasing SCL during accesses over the Bidirectional Control Channel. Units are 38.1ns for the nominal oscillator clock frequency of 26.25MHz.. The default value is set to provide a minimum 5µs SCL low time with the internal oscillator clock running at 26.25MHz.. Delay includes 5 additional clock periods. Min_delay = 38.0952ns × (SCL_LOW_TIME + 5) |

6.7.1.14 Local GPIO DATA

Table 6-26. LOCAL_GPIO_DATA (Address 0x0D)

| BIT | FIELD | TYPE | DEFAULT | DESCRIPTION |
|-----|--------------|------|---------|---|
| 7:4 | GPIO_RMTEN | R/W | 0xF | Enable remote deserializer GPIO data on local GPIO. Bit 7: Enable remote GPIO3 when this bit is set to 1 Bit 6: Enable remote GPIO2 when this bit is set to 1 Bit 5: Enable remote GPIO1 when this bit is set to 1 Bit 4: Enable remote GPIO0 when this bit is set to 1 |
| 3:0 | GPIO_OUT_SRC | R/W | 0x0 | GPIO Output Source. This register sets the logical output of 4 GPIOs, GPIO_RMTEN must be disabled and GPIOx_OUT_EN must be enabled. Bit 3: write 0/1 on GPIO3 Bit 2: write 0/1 on GPIO2 Bit 1: write 0/1 on GPIO1 Bit 0: write 0/1 on GPIO0 |

6.7.1.15 GPIO Input Control

Table 6-27. GPIO_INPUT_CTRL (Address 0x0E)

| BIT | FIELD | TYPE | DEFAULT | DESCRIPTION |
|-----|--------------|------|---------|---|
| 7 | GPIO3_OUT_EN | R/W | 0x0 | GPIO3 Output Enable. 0: Disabled 1: Enabled |
| 6 | GPIO2_OUT_EN | R/W | 0x0 | GPIO2 Output Enable. 0: Disabled 1: Enabled |
| 5 | GPIO1_OUT_EN | R/W | 0x0 | GPIO1 Output Enable. 0: Disabled 1: Enabled |
| 4 | GPIO0_OUT_EN | R/W | 0x0 | GPIO0 Output Enable. 0: Disabled 1: Enabled |

Table 6-27. GPIO_INPUT_CTRL (Address 0x0E) (continued)

| BIT | FIELD | TYPE | DEFAULT | DESCRIPTION |
|-----|----------------|------|---------|--|
| 3 | GPIO3_INPUT_EN | R/W | 0x1 | GPIO3 Input Enable. 0: Disabled 1: Enabled |
| 2 | GPIO2_INPUT_EN | R/W | 0x1 | GPIO2 Input Enable. 0: Disabled 1: Enabled |
| 1 | GPIO1_INPUT_EN | R/W | 0x1 | GPIO1 Input Enable. 0: Disabled 1: Enabled |
| 0 | GPIO0_INPUT_EN | R/W | 0x1 | GPIO0 Input Enable. 0: Disabled 1: Enabled |

6.7.1.16 DVP_CFG

Table 6-28. DVP_CFG (Address 0x10)

| BIT | FIELD | TYPE | DEFAULT | DESCRIPTION |
|-----|-----------------|------|---------|---|
| 7:5 | RESERVED | R/W | 0x0 | Reserved. |
| 4 | DVP_DT_ANY_EN | R/W | 0x0 | When asserted, allows any packet with a Long data type (DT) packet through DVP. |
| 3 | DVP_DT_MATCH_EN | R/W | 0x0 | When asserted, allows data type matching based on the value in the DVP_DT register. Note: When this bit is asserted, writes to the DVP_DT register are blocked. |
| 2 | DVP_DT_YUV_EN | R/W | 0x0 | When asserted, allows YUV 10-bit DTs through DVP when mode_100m is also asserted (YUV 10-bit DTs are 0x19, 0x1d, and 0x1f). |
| 1 | DVP_FV_IN | R/W | 0x0 | Invert Frame Valid Polarity. |
| 0 | DVP_LV_INV | R/W | 0x0 | Invert Line Valid Polarity. |

6.7.1.17 DVP_DT

Table 6-29. DVP_DT (Address 0x11)

| BIT | FIELD | TYPE | DEFAULT | DESCRIPTION |
|-----|------------------|------|---------|--|
| 7:6 | RESERVED | R/W | 0x0 | Reserved. |
| 5:0 | DVP_DT_MATCH_VAL | R/W | 0x0 | When the DVP_DT_MATCH_EN bit in register DVP_CFG (0x10) is asserted, the DVP block will allow packets with this DT through regardless of the mode_75m or mode_100m setting. The DT value must be a Long DT value (either bit 5 or 4 must be set) for a match to occur. |

6.7.1.18 Force BIST Error

Table 6-30. FORCE_BIST_ERR (Address 0x13)

| BIT | FIELD | TYPE | DEFAULT | DESCRIPTION |
|-----|--------------|------|---------|---|
| 7 | FORCE_FC_ERR | SC | 0x0 | FORCE_ERR_CNT allows forcing a number of forward channel parity errors based on the value in FORCE_FC_CNT. When in BIST mode, the parity errors will be generated automatically upon entering BIST mode. When in normal operation this bit must be set to one to inject the parity errors. 0: Force Disabled 1: Force Enabled |
| 6:0 | FORCE_FC_CNT | R/W | 0x00 | Force Error Count. Set this value to the desired number of forced parity errors. |

6.7.1.19 Remote BIST Control

Table 6-31. REMOTE_BIST_CTRL (Address 0x14)

| BIT | FIELD | TYPE | DEFAULT | DESCRIPTION |
|-----|----------------|------|---------|--|
| 7:4 | FORCE_ERR_CNT | R/W | 0x0 | Set to force FC error based on the FORCE_ERR_CNT. 0: Force Disabled 1: Force Enabled |
| 3 | LOCAL_BIST_EN | R/W | 0x0 | Force DS90UB953A-Q1 to Enter BIST Mode. |
| 2:1 | BIST_CLOCK | R/W | 0x0 | BIST clock source selection. 00: External/System clock 01: 50MHz internal clock 1X: 25MHz. internal clock |
| 0 | REMOTE_BIST_EN | R/W | 0x0 | Backward-Compatible Remote BIST Enable Register. |

6.7.1.20 Sensor Voltage Gain

Table 6-32. SENSOR_VGAIN (Address 0x15)

| BIT | FIELD | TYPE | DEFAULT | DESCRIPTION |
|-----|-----------|------|---------|---|
| 7 | RESERVED | R/W | 0x0 | Reserved. |
| 6:0 | VOLT_GAIN | R/W | 0x20 | Voltage Sensor Gain Setting. VOLT_GAIN = (128 / REG_VALUE). 0x40 = Gain of 2 0x20 = Gain of 4 0x10 = Gain of 8 |

6.7.1.21 Sensor Control 0

Table 6-33. SENSOR_CTRL0 (Address 0x17)

| BIT | FIELD | TYPE | DEFAULT | DESCRIPTION |
|-----|---------------|------|---------|--|
| 7:4 | RESERVED | R/W | 0x3 | Reserved. |
| 3:2 | SENSOR_ENABLE | R/W | 0x3 | Temperature and Voltage Sensor Enable. 00: Disabled 11: Enabled |
| 1:0 | SENSE_V_GPIO | R/W | 0x0 | Enable GPIO 0/1 for input Voltage Sensor 0/1 measurement. 00: No voltage sensing 01: GPIO0 Voltage Sensing 10: GPIO1 Voltage Sensing 11: GPIO0 and GPIO1 Voltage Sensing |

6.7.1.22 Sensor Control 1

Table 6-34. SENSOR_CTRL1 (Address 0x18)

| BIT | FIELD | TYPE | DEFAULT | DESCRIPTION |
|-----|---------------|------|---------|------------------------------------|
| 7 | SENSE_GAIN_EN | R/W | 0x1 | Enable Gain Setting of the Sensor. |
| 6:0 | RESERVED | R/W | 0x00 | Reserved. |

6.7.1.23 Voltage Sensor 0 Thresholds

Table 6-35. SENSOR_V0_THRESH (Address 0x19)

| BIT | FIELD | TYPE | DEFAULT | DESCRIPTION |
|-----|-------------|------|---------|---|
| 7 | RESERVED | R/W | 0x0 | Reserved. |
| 6:4 | SENSE_V0_HI | R/W | 0x6 | GPIO0/V0 sensor upper limit. When the GPIO0 is configured as a voltage sensor, and the voltage measured is above the SENSE_V0_HI, it triggers the V0_SENSOR_HI alarm in the SENSOR_STATUS register. The max reading can be read from VOLTAGE_SENSOR_V0_MAX. |
| 3 | RESERVED | R/W | 0x0 | Reserved. |

Table 6-35. SENSOR_V0_THRESH (Address 0x19) (continued)

| BIT | FIELD | TYPE | DEFAULT | DESCRIPTION |
|-----|-------------|------|---------|--|
| 2:0 | SENSE_V0_LO | R/W | 0x2 | GPIO0/V0 sensor lower limit. When the GPIO0 is configured as a voltage sensor, and the voltage measured is below the SENSE_V0_LO, it triggers the V0_SENSOR_LOW alarm in the SENSOR_STATUS register. The min reading can be read from VOLTAGE_SENSOR_V0_MIN. |

6.7.1.24 Voltage Sensor 1 Thresholds

Table 6-36. SENSOR_V1_THRESH (Address 0x1A)

| BIT | FIELD | TYPE | DEFAULT | DESCRIPTION |
|-----|-------------|------|---------|--|
| 7 | RESERVED | R/W | 0x0 | Reserved. |
| 6:4 | SENSE_V1_HI | R/W | 0x6 | GPIO1/V1 sensor upper limit. When the GPIO1 is configured as a voltage sensor, and the voltage measured is above the SENSE_V1_HI, it triggers the V1_SENSOR_HI alarm in the SENSOR_STATUS register. The max reading can be read from VOLTAGE_SENSOR_V1_MAX. |
| 3 | RESERVED | R/W | 0x0 | Reserved. |
| 2:0 | SENSE_V1_LO | R/W | 0x2 | GPIO1/V1 sensor lower limit. When the GPIO1 is configured as a voltage sensor, and the voltage measured is below the SENSE_V1_LO, it triggers the V1_SENSOR_LOW alarm in the SENSOR_STATUS register. The min reading can be read from VOLTAGE_SENSOR_V1_MIN. |

6.7.1.25 Temperature Sensor Thresholds

Table 6-37. SENSOR_T_THRESH (Address 0x1B)

| BIT | FIELD | TYPE | DEFAULT | DESCRIPTION |
|-----|------------|------|---------|---|
| 7 | RESERVED | R/W | 0x0 | Reserved. |
| 6:4 | SENSE_T_HI | R/W | 0x6 | Temp sensor upper threshold. When the Temp sensor is enabled, and the temperature measured above the SENSE_T_HI limit, this triggers the T_SENSOR_HI alarm in SENSOR_STATUS. |
| 3 | RESERVED | R/W | 0x0 | Reserved. |
| 2:0 | SENSE_T_LO | R/W | 0x2 | Temp sensor lower threshold. When the Temp sensor is enabled, and the temperature measured below the SENSE_T_LO limit, this triggers the T_SENSOR_LOW alarm in SENSOR_STATUS. |

6.7.1.26 CSI-2 Alarm Enable

Table 6-38. ALARM_CSI_EN (Address 0x1C)

| BIT | FIELD | TYPE | DEFAULT | DESCRIPTION |
|-----|-------------------|------|---------|---|
| 7:6 | RESERVED | R/W | 0x0 | Reserved. |
| 5 | CSI_NO_FV_EN | R/W | 0x1 | CSI-2 No Frame Valid Alarm Enable. 1: Enabled 0: Disabled |
| 4 | DPHY_SYNC_ERR_EN | R/W | 0x1 | DPHY_SYNC_ERR Alarm Enable. 1: Enabled 0: Disabled |
| 3 | DPHY_CTRL_ERR_EN | R/W | 0x1 | DPHY_CTRL_ERR Alarm Enable. 1: Enabled 0: Disabled |
| 2 | CSI_ECC_2_EN | R/W | 0x1 | CSI_ECC2 Alarm Enable. 1: Enabled 0: Disabled |
| 1 | CSI_CHKSUM_ERR_EN | R/W | 0x1 | CSI-2 Checksum Error Alarm Enable. 1: Enabled 0: Disabled |

Table 6-38. ALARM_CSI_EN (Address 0x1C) (continued)

| BIT | FIELD | TYPE | DEFAULT | DESCRIPTION |
|-----|-------------------|------|---------|---|
| 0 | CSI_LENGTH_ERR_EN | R/W | 0x1 | CSI-2 Length Error Alarm Enable. 1: Enabled 0: Disabled |

6.7.1.27 Alarm Sense Enable**Table 6-39. ALARM_SENSE_EN (Address 0x1D)**

| BIT | FIELD | TYPE | DEFAULT | DESCRIPTION |
|-----|----------|------|---------|---|
| 7:6 | RESERVED | R/W | 0x0 | Reserved. |
| 5 | T_OVER | R/W | 0x0 | Enable Temp Sensor over the high limit alarm. |
| 4 | T_UNDER | R/W | 0x0 | Enable Temp Sensor under the low limit alarm. |
| 3 | V1_OVER | R/W | 0x0 | Enable Voltage1 Sensor over the high limit alarm. |
| 2 | V1_UNDER | R/W | 0x0 | Enable Voltage1 Sensor under the low limit alarm. |
| 1 | V0_OVER | R/W | 0x0 | Enable Voltage0 Sensor over the high limit alarm. |
| 0 | V0_UNDER | R/W | 0x0 | Enable Voltage0 Sensor under the low limit alarm. |

6.7.1.28 Back Channel Alarm Enable**Table 6-40. ALARM_BC_EN (Address 0x1E)**

| BIT | FIELD | TYPE | DEFAULT | DESCRIPTION |
|-----|------------------------|------|---------|--------------------------------------|
| 7 | RESERVED | R/W | 0x0 | Reserved. |
| 6 | BCC_TARGET_TO_ERROR_EN | R/W | 0x0 | Enable BCC_TARGET_TO_ERROR_EN alarm. |
| 5 | BCC_TARGET_ERROR_EN | R/W | 0x0 | Enable BCC_TARGET_ERROR_EN alarm. |
| 4 | BCC_MSTR_TO_ERROR_EN | R/W | 0x0 | Enable BCC_MSTR_TO_ERROR_EN alarm. |
| 3 | BCC_MSTR_ERROR_EN | R/W | 0x0 | Enable BCC_MSTR_ERROR_EN alarm. |
| 2 | BCC_DATA_ERROR_EN | R/W | 0x0 | Enable BCC_DATA_ERROR_EN alarm. |
| 1 | CRC_ERR_EN | R/W | 0x0 | Enable CRC_ERR alarm. |
| 0 | LINK_DETECT_EN | R/W | 0x0 | Enable LINK_DETECT alarm. |

6.7.1.29 CSI-2 Polarity Select

The CSI-2 Polarity Select register allows for changing P/N input polarity for each data lane.

Table 6-41. CSI_POL_SEL (Address 0x20)

| BIT | FIELD | TYPE | DEFAULT | DESCRIPTION |
|-----|---------------|------|---------|-----------------------------|
| 7:5 | RESERVED | R | 0x0 | Reserved. |
| 4 | POLARITY_CLK0 | R/W | 0x0 | CSI-2 CLK lane 0 Polarity. |
| 3 | POLARITY_D3 | R/W | 0x0 | CSI-2 Data lane 3 Polarity. |
| 2 | POLARITY_D2 | R/W | 0x0 | CSI-2 Data lane 2 Polarity. |
| 1 | POLARITY_D1 | R/W | 0x0 | CSI-2 Data lane 1 Polarity. |
| 0 | POLARITY_D0 | R/W | 0x0 | CSI-2 Data lane 0 Polarity. |

6.7.1.30 CSI-2 LP Mode Polarity

The CSI-2 LP Mode Polarity register allows for changing polarity for all clocks and data lanes in Low power mode.

Table 6-42. CSI_LP_POLARITY (Address 0x21)

| BIT | FIELD | TYPE | DEFAULT | DESCRIPTION |
|-----|-------------|------|---------|-------------------------------|
| 7:5 | RESERVED | R/W | 0x0 | Reserved. |
| 4 | POL_LP_CLK0 | R/W | 0x0 | LP CSI-2 Clock lane Polarity. |
| 3:0 | POL_LP_DATA | R/W | 0x0 | LP CSI-2 Data lane Polarity. |

6.7.1.31 CSI-2 High-Speed RX Enable

The CSI-2 High Speed RX Enable register is intended for system debugging and should be set to 0x00 for normal operation.

Table 6-43. CSI_EN_HSRX (Address 0x22)

| BIT | FIELD | TYPE | DEFAULT | DESCRIPTION |
|-----|----------|------|---------|-------------|
| 7 | RESERVED | R | 0x0 | Reserved. |
| 6:0 | RESERVED | R/W | 0x00 | Reserved. |

6.7.1.32 CSI-2 Low Power Enable

The CSI-2 Low Power Enable register is intended for system debugging.

Table 6-44. CSI_EN_LPRX (Address 0x23)

| BIT | FIELD | TYPE | DEFAULT | DESCRIPTION |
|-----|----------|------|---------|-------------|
| 7 | RESERVED | R | 0x0 | Reserved. |
| 6:0 | RESERVED | R/W | 0x00 | Reserved. |

6.7.1.33 CSI-2 Termination Enable

The CSI-2 Termination Enable register is intended for system debugging.

Table 6-45. CSI_EN_RXTERM (Address 0x24)

| BIT | FIELD | TYPE | DEFAULT | DESCRIPTION |
|-----|--------------|------|---------|-------------|
| 7:4 | RESERVED | R/W | 0x0 | Reserved. |
| 3 | EN_RXTERM_D3 | R/W | 0x0 | Reserved. |
| 2 | EN_RXTERM_D2 | R/W | 0x0 | Reserved. |
| 1 | EN_RXTERM_D1 | R/W | 0x0 | Reserved. |
| 0 | EN_RXTERM_D0 | R/W | 0x0 | Reserved. |

6.7.1.34 CSI-2 Packet Header Control

Table 6-46. CSI_PKT_HDR_TINIT_CTRL (Address 0x31)

| BIT | FIELD | TYPE | DEFAULT | DESCRIPTION |
|-----|--------------------|------|---------|--|
| 7:6 | PKT_HDR_SEL_VC | R/W | 0x0 | For interleaved VC packet select the VC ID to display the packet header. This is effective only if bit4 is set high (PKT_HDR_VCI_ENABLE). |
| 5 | PKT_HDR_CORRECTED | R/W | 0x1 | 1: Displays the corrected CSI-2 packet header (in case of error) sent to the receiver 0: Displays the received CSI-2 packet header from imager |
| 4 | PKT_HDR_VCI_ENABLE | R/W | 0x0 | Enable the CSI-2 packet header selection based on VC for interleaved mode. For interleaved VC packet set this bit to record the packet headers for each VC. For regular data packet ignore this bit. |
| 3 | RESERVED | R/W | 0x0 | Reserved. |

Table 6-46. CSI_PKT_HDR_TINIT_CTRL (Address 0x31) (continued)

| BIT | FIELD | TYPE | DEFAULT | DESCRIPTION |
|-----|------------|------|---------|---|
| 2:0 | TINIT_TIME | R/W | 0x0 | CSI-2 Initial Time after power up. Any LP control data are ignored during this time for all CSI-2 lanes. 000 = 100µs 001 = 200µs 010 = 300µs 111 = 800µs and so forth. |

6.7.1.35 Back Channel Configuration**Table 6-47. BCC_CONFIG (Address 0x32)**

| BIT | FIELD | TYPE | DEFAULT | DESCRIPTION |
|-----|--------------------------|------|---------|--|
| 7 | I2C_PASS_THROUGH_ALL | R/W | 0x0 | I2C Pass-Through All Transactions. 0: Disabled 1: Enabled |
| 6 | I2C_PASS_THROUGH | R/W | 0x0 | I2C Pass-Through to Deserializer if decode matches. 0: Pass-Through Disabled 1: Pass-Through Enabled |
| 5 | AUTO_ACK_ALL | R/W | 0x0 | Automatically Acknowledge all I2C writes independent of the forward channel lock state or status of the remote Acknowledge. 1: Enable 0: Disable |
| 4 | RESERVED | R/W | 0x0 | Reserved. |
| 3 | RX_PARITY_CHECKER_ENABLE | R/W | 0x1 | Parity Checker Enable. 0: Disable 1: Enable |
| 2 | RESERVED | R/W | 0x0 | Reserved. |
| 1 | RESERVED | R/W | 0x0 | Reserved. |
| 0 | RESERVED | R/W | 0x1 | Reserved. |

6.7.1.36 Datapath Control 1**Table 6-48. DATAPATH_CTL1 (Address 0x33)**

| BIT | FIELD | TYPE | DEFAULT | DESCRIPTION |
|-----|------------|------|---------|---|
| 7:3 | RESERVED | R/W | 0x00 | Reserved. |
| 2 | DCA_CRC_EN | R/W | 0x1 | DCA CRC Enable. If set to a 1, the Forward Channel sends a CRC as part of the DCA sequence. The DCA CRC protects the first 8 bytes of the DCA sequence. The CRC is sent as the 9th byte. |
| 1:0 | FC_GPIO_EN | R/W | 0x0 | Forward Channel GPIO Enable. Configures the number of enabled forward channel GPIOs. 00: GPIOs disabled 01: One GPIO 10: Two GPIOs 11: Four GPIOs |

6.7.1.37 Remote Partner Capabilities 1**Table 6-49. REMOTE_PAR_CAP1 (Address 0x35)**

| BIT | FIELD | TYPE | DEFAULT | DESCRIPTION |
|-----|----------------|------|---------|--|
| 7 | FREEZE_DES_CAP | R/W | 0x0 | Freeze Partner Capabilities. Prevent auto-loading of the Partner Capabilities by the Bidirectional Control Channel. The Capabilities are frozen at the values written in registers 0x1E and 0x1F. |
| 6 | RESERVED | R/W | 0x0 | Reserved. |

Table 6-49. REMOTE_PAR_CAP1 (Address 0x35) (continued)

| BIT | FIELD | TYPE | DEFAULT | DESCRIPTION |
|-----|----------|------|---------|---|
| 5 | BIST_EN | R/W | 0x0 | Link BIST Enable. This bit indicates the remote partner is requesting BIST operation over the FPD-Link III interface. This field is automatically configured by the Bidirectional Control Channel once back channel link has been detected. Software may overwrite this value, but must also set the FREEZE_DES_CAP bit to prevent overwriting by the Bidirectional Control Channel. |
| 4 | MPORT | R/W | 0x0 | Remote Partner Multi-Port capable. 0 : Remote partner is a single-port deserializer device 1 : Remote partner is a multi-port deserializer device This field is automatically configured by the Bidirectional Control Channel once back channel link has been detected. Software may overwrite this value, but must also set the FREEZE_DES_CAP bit to prevent overwriting by the Bidirectional Control Channel. |
| 3:0 | PORT_NUM | R/W | 0x0 | Remote Partner port number. When connected to a multi-port device, this field indicates the port number to which the Serializer is connected. This field is automatically configured by the Bidirectional Control Channel once back channel link has been detected. Software may overwrite this value, but must also set the FREEZE_DES_CAP bit to prevent overwriting by the Bidirectional Control Channel. |

6.7.1.38 Partner Deserializer ID

Table 6-50. DES_ID (Address 0x37)

| BIT | FIELD | TYPE | DEFAULT | DESCRIPTION |
|-----|------------------|------|---------|--|
| 7:1 | DES_ID | R/W | 0x3D | Remote Deserializer ID. This field is normally loaded automatically from the remote Deserializer. |
| 0 | FREEZE_DEVICE_ID | R/W | 0x0 | Freeze Deserializer Device ID. Prevent auto-loading of the Deserializer Device ID from the back channel. The ID is frozen at the value written. |

6.7.1.39 Target 0 ID

Table 6-51. TARGET_ID_0 (Address 0x39)

| BIT | FIELD | TYPE | DEFAULT | DESCRIPTION |
|-----|-------------|------|---------|---|
| 7:1 | TARGET_ID_0 | R/W | 0x00 | 7-bit Remote Target Device ID 0. Configures the physical I2C address of the remote I2C Target device attached to the remote Deserializer. If an I2C transaction is addressed to the Target Alias ID0, the transaction is remapped to this address before passing the transaction across the Bidirectional Control Channel to the Deserializer. |
| 0 | RESERVED | R | 0x0 | Reserved. |

6.7.1.40 Target 1 ID

Table 6-52. TARGET_ID_1 (Address 0x3A)

| BIT | FIELD | TYPE | DEFAULT | DESCRIPTION |
|-----|-------------|------|---------|---|
| 7:1 | TARGET_ID_1 | R/W | 0x00 | 7-bit Remote Target Device ID 1. Configures the physical I2C address of the remote I2C Target device attached to the remote Deserializer. If an I2C transaction is addressed to the Target Alias ID1, the transaction is remapped to this address before passing the transaction across the Bidirectional Control Channel to the Deserializer. |
| 0 | RESERVED | R | 0x0 | Reserved. |

6.7.1.41 Target 2 ID

Table 6-53. TARGET_ID_2 (Address 0x3B)

| BIT | FIELD | TYPE | DEFAULT | DESCRIPTION |
|-----|-------------|------|---------|---|
| 7:1 | TARGET_ID_2 | R/W | 0x00 | 7-bit Remote Target Device ID 2. Configures the physical I2C address of the remote I2C Target device attached to the remote Deserializer. If an I2C transaction is addressed to the Target Alias ID2, the transaction is remapped to this address before passing the transaction across the Bidirectional Control Channel to the Deserializer. |
| 0 | RESERVED | R | 0x0 | Reserved. |

6.7.1.42 Target 3 ID

Table 6-54. TARGET_ID_3 (Address 0x3C)

| BIT | FIELD | TYPE | DEFAULT | DESCRIPTION |
|-----|-------------|------|---------|---|
| 7:1 | TARGET_ID_3 | R/W | 0x00 | 7-bit Remote Target Device ID 3. Configures the physical I2C address of the remote I2C Target device attached to the remote Deserializer. If an I2C transaction is addressed to the Target Alias ID3, the transaction is remapped to this address before passing the transaction across the Bidirectional Control Channel to the Deserializer. |
| 0 | RESERVED | R | 0x0 | Reserved. |

6.7.1.43 Target 4 ID

Table 6-55. TARGET_ID_4 (Address 0x3D)

| BIT | FIELD | TYPE | DEFAULT | DESCRIPTION |
|-----|-------------|------|---------|---|
| 7:1 | TARGET_ID_4 | R/W | 0x00 | 7-bit Remote Target Device ID 4. Configures the physical I2C address of the remote I2C Target device attached to the remote Deserializer. If an I2C transaction is addressed to the Target Alias ID4, the transaction is remapped to this address before passing the transaction across the Bidirectional Control Channel to the Deserializer. |
| 0 | RESERVED | R | 0x0 | Reserved. |

6.7.1.44 Target 5 ID

Table 6-56. TARGET_ID_5 (Address 0x3E)

| BIT | FIELD | TYPE | DEFAULT | DESCRIPTION |
|-----|-------------|------|---------|---|
| 7:1 | TARGET_ID_5 | R/W | 0x00 | 7-bit Remote Target Device ID 5. Configures the physical I2C address of the remote I2C Target device attached to the remote Deserializer. If an I2C transaction is addressed to the Target Alias ID5, the transaction is remapped to this address before passing the transaction across the Bidirectional Control Channel to the Deserializer. |
| 0 | RESERVED | R | 0x0 | Reserved. |

6.7.1.45 Target 6 ID

Table 6-57. TARGET_ID_6 (Address 0x3F)

| BIT | FIELD | TYPE | DEFAULT | DESCRIPTION |
|-----|-------------|------|---------|---|
| 7:1 | TARGET_ID_6 | R/W | 0x00 | 7-bit Remote Target Device ID 6. Configures the physical I2C address of the remote I2C Target device attached to the remote Deserializer. If an I2C transaction is addressed to the Target Alias ID6, the transaction is remapped to this address before passing the transaction across the Bidirectional Control Channel to the Deserializer. |
| 0 | RESERVED | R | 0x0 | Reserved. |

6.7.1.46 Target 7 ID

Table 6-58. TARGET_ID_7 (Address 0x40)

| BIT | FIELD | TYPE | DEFAULT | DESCRIPTION |
|-----|-------------|------|---------|---|
| 7:1 | TARGET_ID_7 | R/W | 0x00 | 7-bit Remote Target Device ID 7. Configures the physical I2C address of the remote I2C Target device attached to the remote Deserializer. If an I2C transaction is addressed to the Target Alias ID7, the transaction is remapped to this address before passing the transaction across the Bidirectional Control Channel to the Deserializer. |
| 0 | RESERVED | R | 0x0 | Reserved. |

6.7.1.47 Target 0 Alias

Table 6-59. TARGET_ID_ALIAS_0 (Address 0x41)

| BIT | FIELD | TYPE | DEFAULT | DESCRIPTION |
|-----|-------------------|------|---------|--|
| 7:1 | TARGET_ID_ALIAS_0 | R/W | 0x00 | 7-bit Remote Target Device Alias ID 0. Configures the decoder for detecting transactions designated for an I2C Target device attached to the remote Deserializer. The transaction is remapped to the address specified in the Target ID0 register. A value of 0 in this field disables access to the remote I2C Target. |
| 0 | TARGET_AUTO_ACK_0 | R/W | 0x0 | Automatically Acknowledge all I2C writes to the remote Target 0 independent of the forward channel lock state or status of the remote Deserializer Acknowledge. 1: Enable 0: Disable This is intended for debugging only and not recommended for normal operation. |

6.7.1.48 Target 1 Alias

Table 6-60. TARGET_ID_ALIAS_1 (Address 0x42)

| BIT | FIELD | TYPE | DEFAULT | DESCRIPTION |
|-----|-------------------|------|---------|--|
| 7:1 | TARGET_ID_ALIAS_1 | R/W | 0x00 | 7-bit Remote Target Device Alias ID 1. Configures the decoder for detecting transactions designated for an I2C Target device attached to the remote Deserializer. The transaction is remapped to the address specified in the Target ID1 register. A value of 0 in this field disables access to the remote I2C Target. |
| 0 | TARGET_AUTO_ACK_1 | R/W | 0x0 | Automatically Acknowledge all I2C writes to the remote Target 1 independent of the forward channel lock state or status of the remote Deserializer Acknowledge. 1: Enable 0: Disable This is intended for debugging only and not recommended for normal operation. |

6.7.1.49 Target 2 Alias

Table 6-61. TARGET_ID_ALIAS_2 (Address 0x43)

| BIT | FIELD | TYPE | DEFAULT | DESCRIPTION |
|-----|-------------------|------|---------|--|
| 7:1 | TARGET_ID_ALIAS_2 | R/W | 0x00 | 7-bit Remote Target Device Alias ID 2. Configures the decoder for detecting transactions designated for an I2C Target device attached to the remote Deserializer. The transaction is remapped to the address specified in the Target ID2 register. A value of 0 in this field disables access to the remote I2C Target. |
| 0 | TARGET_AUTO_ACK_2 | R/W | 0x0 | Automatically Acknowledge all I2C writes to the remote Target 2 independent of the forward channel lock state or status of the remote Deserializer Acknowledge. 1: Enable 0: Disable This is intended for debugging only and not recommended for normal operation. |

6.7.1.50 Target 3 Alias

Table 6-62. TARGET_ID_ALIAS_3 (Address 0x44)

| BIT | FIELD | TYPE | DEFAULT | DESCRIPTION |
|-----|-------------------|------|---------|---|
| 7:1 | TARGET_ID_ALIAS_3 | R/W | 0x00 | 7-bit Remote Target Device Alias ID 3. Configures the decoder for detecting transactions designated for an I2C Target device attached to the remote Deserializer. The transaction is remapped to the address specified in the Target ID3 register. A value of 0 in this field disables access to the remote I2C Target. |
| 0 | TARGET_AUTO_ACK_3 | R/W | 0x0 | Automatically Acknowledge all I2C writes to the remote Target 3 independent of the forward channel lock state or status of the remote Deserializer Acknowledge. 1: Enable 0: Disable This is intended for debugging only and not recommended for normal operation. |

6.7.1.51 Target 4 Alias

Table 6-63. TARGET_ID_ALIAS_4 (Address 0x45)

| BIT | FIELD | TYPE | DEFAULT | DESCRIPTION |
|-----|-------------------|------|---------|---|
| 7:1 | TARGET_ID_ALIAS_4 | R/W | 0x00 | 7-bit Remote Target Device Alias ID 4. Configures the decoder for detecting transactions designated for an I2C Target device attached to the remote Deserializer. The transaction is remapped to the address specified in the Target ID4 register. A value of 0 in this field disables access to the remote I2C Target. |
| 0 | TARGET_AUTO_ACK_4 | R/W | 0x0 | Automatically Acknowledge all I2C writes to the remote Target 4 independent of the forward channel lock state or status of the remote Deserializer Acknowledge. 1: Enable 0: Disable This is intended for debugging only and not recommended for normal operation. |

6.7.1.52 Target 5 Alias

Table 6-64. TARGET_ID_ALIAS_5 (Address 0x46)

| BIT | FIELD | TYPE | DEFAULT | DESCRIPTION |
|-----|-------------------|------|---------|---|
| 7:1 | TARGET_ID_ALIAS_5 | R/W | 0x00 | 7-bit Remote Target Device Alias ID 5. Configures the decoder for detecting transactions designated for an I2C Target device attached to the remote Deserializer. The transaction is remapped to the address specified in the Target ID5 register. A value of 0 in this field disables access to the remote I2C Target. |
| 0 | TARGET_AUTO_ACK_5 | R/W | 0x0 | Automatically Acknowledge all I2C writes to the remote Target 5 independent of the forward channel lock state or status of the remote Deserializer Acknowledge. 1: Enable 0: Disable This is intended for debugging only and not recommended for normal operation. |

6.7.1.53 Target 6 Alias

Table 6-65. TARGET_ID_ALIAS_6 (Address 0x47)

| BIT | FIELD | TYPE | DEFAULT | DESCRIPTION |
|-----|-------------------|------|---------|---|
| 7:1 | TARGET_ID_ALIAS_6 | R/W | 0x00 | 7-bit Remote Target Device Alias ID 6. Configures the decoder for detecting transactions designated for an I2C Target device attached to the remote Deserializer. The transaction is remapped to the address specified in the Target ID6 register. A value of 0 in this field disables access to the remote I2C Target. |

Table 6-65. TARGET_ID_ALIAS_6 (Address 0x47) (continued)

| BIT | FIELD | TYPE | DEFAULT | DESCRIPTION |
|-----|-------------------|------|---------|---|
| 0 | TARGET_AUTO_ACK_6 | R/W | 0x0 | Automatically Acknowledge all I2C writes to the remote Target 6 independent of the forward channel lock state or status of the remote Deserializer Acknowledge. 1: Enable 0: Disable This is intended for debugging only and not recommended for normal operation. |

6.7.1.54 Target 7 Alias

Table 6-66. TARGET_ID_ALIAS_7 (Address 0x48)

| BIT | FIELD | TYPE | DEFAULT | DESCRIPTION |
|-----|-------------------|------|---------|---|
| 7:1 | TARGET_ID_ALIAS_7 | R/W | 0x00 | 7-bit Remote Target Device Alias ID 7. Configures the decoder for detecting transactions designated for an I2C Target device attached to the remote Deserializer. The transaction is remapped to the address specified in the Target ID7 register. A value of 0 in this field disables access to the remote I2C Target. |
| 0 | TARGET_AUTO_ACK_7 | R/W | 0x0 | Automatically Acknowledge all I2C writes to the remote Target 7 independent of the forward channel lock state or status of the remote Deserializer Acknowledge. 1: Enable 0: Disable This is intended for debugging only and not recommended for normal operation. |

6.7.1.55 Back Channel Control

Table 6-67. BC_CTRL (Address 0x49)

| BIT | FIELD | TYPE | DEFAULT | DESCRIPTION |
|-----|------------------|----------|---------|--|
| 7:6 | RESERVED | R | 0x0 | Reserved. |
| 5 | BIST_CRC_ERR_CLR | (R/W)/SC | 0x0 | Clear BIST CRC error counter. 0: Disable clear 1: Enable Clear |
| 4 | RESERVED | R/W | 0x0 | Reserved. |
| 3 | CRC_ERR_CLR | (R/W)/SC | 0x0 | Clear CRC error. 0: Disable clear 1: Enable clear |
| 2:0 | LINK_DET_TIMER | R/W | 0x0 | TX-RX link detect timer val. |

6.7.1.56 Revision ID

Table 6-68. REV_MASK_ID (Address 0x50)

| BIT | FIELD | TYPE | DEFAULT | DESCRIPTION |
|-----|-------------|------|---------|--------------|
| 7:4 | REVISION_ID | R | 0x2 | Revision ID. |
| 3:0 | MASK_ID | R | 0x0 | Mask ID. |

6.7.1.57 Device Status

Table 6-69. Device STS (Address 0x51)

| BIT | FIELD | TYPE | DEFAULT | DESCRIPTION |
|-----|---------------|------|---------|--|
| 7 | CFG_CKSUM_STS | R | 0x0 | Config Checksum Passed. This bit is set following initialization if the Configuration data in the eFuse ROM had a valid checksum. |

Table 6-69. Device STS (Address 0x51) (continued)

| BIT | FIELD | TYPE | DEFAULT | DESCRIPTION |
|-----|---------------|------|---------|---|
| 6 | CFG_INIT_DONE | R | 0x0 | Power-up initialization complete. This bit is set after Initialization is complete. Configuration from eFuse ROM has completed. |
| 5:0 | RESERVED | R | 0x00 | Reserved. |

6.7.1.58 General Status**Table 6-70. GENERAL_STATUS (Address 0x52)**

| BIT | FIELD | TYPE | DEFAULT | DESCRIPTION |
|-----|----------------|------|---------|--|
| 7 | RESERVED | R | 0x0 | Reserved. |
| 6 | RX_LOCK_DETECT | R | 0x0 | Deserializer LOCK status This bit indicates the LOCK status of the Deserializer. |
| 5 | RESERVED | R | 0x0 | Reserved. |
| 4 | LINK_LOST_FLAG | R | 0x0 | Back Channel Link lost Status changed. This bit is set if a change in BC LINK DET lost status has been detected. This bit is cleared upon read of CRC ERR CLR register or HS PLL loses lock. |
| 3 | BIST_CRC_ERR | R | 0x0 | BIST Error is detected. The BIST_ERR_CNT register contain the number of Back Channel BIST errors. |
| 2 | HS_PLL_LOCK | R | 0x1 | Forward Channel High speed PLL lock flag. |
| 1 | CRC_ERR | R | 0x0 | Back Channel CRC error detected. This bit is set when the back channel errors detected when BC LINK DET is asserted. This bit is cleared upon read of CRC_ERR_CLR register. |
| 0 | LINK_DET | R | 0x1 | Back Channel Link detect. This bit is set when BC link is valid. |

6.7.1.59 GPIO Pin Status**Table 6-71. GPIO_PIN_STS For Input State Only (Address 0x53)**

| BIT | FIELD | TYPE | DEFAULT | DESCRIPTION |
|-----|----------|------|---------|---|
| 7:4 | RESERVED | R | 0x0 | Reserved. |
| 3:0 | GPIO_STS | R | 0x0 | GPIO Pin Status. This register reads the current values on GPIO pins. Bit 3 reads the GPIO3 pin status. Bit 2 reads the GPIO2 pin status. Bit 1 reads the GPIO1 pin status. Bit 0 reads the GPIO0 pin status. |

6.7.1.60 BIST Error Count**Table 6-72. BIST_ERR_CNT (Address 0x54)**

| BIT | FIELD | TYPE | DEFAULT | DESCRIPTION |
|-----|----------------|------|---------|-------------------------------|
| 7:0 | BIST_BC_ERRCNT | R | 0x00 | CRC error count in BIST mode. |

6.7.1.61 CRC Error Count 1**Table 6-73. CRC_ERR_CNT1 (Address 0x55)**

| BIT | FIELD | TYPE | DEFAULT | DESCRIPTION |
|-----|--------------|------|---------|------------------------|
| 7:0 | CRC_ERR_CNT1 | R | 0x00 | CRC Error count (LSB). |

6.7.1.62 CRC Error Count 2

Table 6-74. CRC_ERR_CNT2 (Address 0x56)

| BIT | FIELD | TYPE | DEFAULT | DESCRIPTION |
|-----|--------------|------|---------|------------------------|
| 7:0 | CRC_ERR_CNT2 | R | 0x00 | CRC Error count (MSB). |

6.7.1.63 Sensor Status

Table 6-75. SENSOR_STATUS (Address 0x57)

| BIT | FIELD | TYPE | DEFAULT | DESCRIPTION |
|-----|---------------|------|---------|---|
| 7:6 | RESERVED | R | 0x0 | Reserved. |
| 5 | T_SENSOR_HI | R | 0x0 | When set, this bit indicates that Internal Temperature Sensor is above SENSE_T_HI limit. This bit is cleared upon read. |
| 4 | T_SENSOR_LOW | R | 0x0 | When set, this bit indicates that Internal Temperature Sensor is below SENSE_T_LO limit. This bit is cleared upon read. |
| 3 | V1_SENSOR_HI | R | 0x0 | When set, this bit indicates that GPIO1 input is above SENSE_V1_HI limit. This bit is cleared upon read. |
| 2 | V1_SENSOR_LOW | R | 0x0 | When set, this bit indicates that GPIO1 input is below SENSE_V1_LO limit. This bit is cleared upon read. |
| 1 | V0_SENSOR_HI | R | 0x0 | When set, this bit indicates that GPIO0 input is above SENSE_V0_HI limit. This bit will be cleared upon read. |
| 0 | V0_SENSOR_LOW | R | 0x0 | When set, this bit indicates that GPIO0 input is below SENSE_V0_LO limit. This bit will be cleared upon read. |

6.7.1.64 Sensor V0

Table 6-76. SENSOR_V0 (Address 0x58)

| BIT | FIELD | TYPE | DEFAULT | DESCRIPTION |
|-----|-----------------------|------|---------|--|
| 7 | RESERVED | R/W | 0x0 | Reserved. |
| 6:4 | VOLTAGE_SENSOR_V0_MAX | RC | 0x0 | GPIO0 Voltage sensor max reading when the GPIO0 voltage is above SENSE_V0_HI limit. This bit is cleared upon read. 0 indicates alarm has not been triggered. |
| 3 | RESERVED | R/W | 0x0 | Reserved. |
| 2:0 | VOLTAGE_SENSOR_V0_MIN | RC | 0x7 | GPIO0 Voltage sensor min reading when GPIO0 voltage is below SENSE_V0_LO limit. This bit is cleared upon read. 7 indicates alarm has not been triggered. |

6.7.1.65 Sensor V1

Table 6-77. SENSOR_V1 (Address 0x59)

| BIT | FIELD | TYPE | DEFAULT | DESCRIPTION |
|-----|-----------------------|------|---------|--|
| 7 | RESERVED | R/W | 0x0 | Reserved. |
| 6:4 | VOLTAGE_SENSOR_V1_MAX | RC | 0x0 | GPIO1 Voltage sensor max reading when the GPIO1 voltage is above SENSE_V1_HI limit. This bit is cleared upon read. 0 indicates alarm has not been triggered. |
| 3 | RESERVED | R/W | 0x0 | Reserved. |
| 2:0 | VOLTAGE_SENSOR_V1_MIN | RC | 0x7 | GPIO1 Voltage sensor min reading when GPIO1 voltage is below SENSE_V1_LO limit. This bit is cleared upon read. 7 indicates alarm has not been triggered. |

6.7.1.66 Sensor T

Table 6-78. SENSOR_T (Address 0x5A)

| BIT | FIELD | TYPE | DEFAULT | DESCRIPTION |
|-----|----------|------|---------|-------------|
| 7 | RESERVED | R/W | 0x0 | Reserved. |

Table 6-78. SENSOR_T (Address 0x5A) (continued)

| BIT | FIELD | TYPE | DEFAULT | DESCRIPTION |
|-----|----------|------|---------|--|
| 6:4 | TEMP_MAX | RC | 0x0 | Internal Temperature sensor maximum reading when temperature is above SENSE_T_HI limit. This bit is cleared upon read. 0 indicates alarm has not been triggered. |
| 3 | RESERVED | R/W | 0x0 | Reserved |
| 2:0 | TEMP_MIN | RC | 0x7 | Internal Temperature sensor minimum reading when temperature is below SENSE_T_LO limit. This bit is cleared upon read. 7 indicates alarm has not been triggered. |

6.7.1.67 CSI-2 Error Count**Table 6-79. CSI_ERR_CNT (Address 0x5C)**

| BIT | FIELD | TYPE | DEFAULT | DESCRIPTION |
|-----|-------------|------|---------|---|
| 7:0 | CSI_ERR_CNT | RC | 0x00 | CSI-2 Error Counter Register. This register counts the number of CSI-2 packets received with errors since the last read of the counter. |

6.7.1.68 CSI-2 Error Status**Table 6-80. CSI_ERR_STATUS (Address 0x5D)**

| BIT | FIELD | TYPE | DEFAULT | DESCRIPTION |
|-----|-------------------|------|---------|---|
| 7:4 | RESERVED | R | 0x0 | Reserved. |
| 3 | LINE_LEN_MISMATCH | R/RC | 0x0 | Indicates Line length less than the received Packet header Word count. |
| 2 | CHKSUM_ERR | R/RC | 0x0 | Indicates a checksum error detected in the incoming data (uncorrectable). |
| 1 | ECC_2BIT_ERR | R/RC | 0x0 | Indicates a 2-Bit Ecc error (uncorrectable) in the Packet header. |
| 0 | ECC_1BIT_ERR | R/RC | 0x0 | Indicates a 1-Bit Ecc error detected in the Packet header. |

6.7.1.69 CSI-2 Errors Data Lanes 0 and 1**Table 6-81. CSI_ERR_DLANE01 (Address 0x5E)**

| BIT | FIELD | TYPE | DEFAULT | DESCRIPTION |
|-----|--------------------|------|---------|---|
| 7 | SOT_ERROR_1 | R | 0x0 | Lane 1: Single-bit Error in SYNC Sequence - Correctable. |
| 6 | SOT_SYNC_ERROR_1 | R | 0x0 | Lane 1: Multi-bit Error in SYNC Sequence - Uncorrectable. |
| 5 | CNTRL_ERR_HSRQST_1 | R | 0x0 | Lane 1: Control Error in HS Request Mode. |
| 4 | RESERVED | R | 0x0 | Reserved. |
| 3 | SOT_ERROR_0 | R | 0x0 | Lane 0: Single-bit Error in SYNC Sequence - Correctable. |
| 2 | SOT_SYNC_ERROR_0 | R | 0x0 | Lane 0: Multi-bit Error in SYNC Sequence - Uncorrectable. |
| 1 | CNTRL_ERR_HSRQST_0 | R | 0x0 | Lane 0: Control Error in HS Request Mode. |
| 0 | RESERVED | R | 0x0 | Reserved. |

6.7.1.70 CSI-2 Errors Data Lanes 2 and 3**Table 6-82. CSI_ERR_DLANE23 (Address 0x5F)**

| BIT | FIELD | TYPE | DEFAULT | DESCRIPTION |
|-----|--------------------|------|---------|---|
| 7 | SOT_ERROR_3 | R | 0x0 | Lane 3: Single-bit Error in SYNC Sequence - Correctable. |
| 6 | SOT_SYNC_ERROR_3 | R | 0x0 | Lane 3: Multi-bit Error in SYNC Sequence - Uncorrectable. |
| 5 | CNTRL_ERR_HSRQST_3 | R | 0x0 | Lane 3: Control Error in HS Request Mode. |

Table 6-82. CSI_ERR_DLANE23 (Address 0x5F) (continued)

| BIT | FIELD | TYPE | DEFAULT | DESCRIPTION |
|-----|--------------------|------|---------|---|
| 4 | RESERVED | R | 0x0 | Reserved. |
| 3 | SOT_ERROR_2 | R | 0x0 | Lane 2: Single-bit Error in SYNC Sequence - Correctable. |
| 2 | SOT_SYNC_ERROR_2 | R | 0x0 | Lane 2: Multi-bit Error in SYNC Sequence - Uncorrectable. |
| 1 | CNTRL_ERR_HSRQST_2 | R | 0x0 | Lane 2: Control Error in HS Request Mode. |
| 0 | RESERVED | R | 0x0 | Reserved. |

6.7.1.71 CSI-2 Errors Clock Lane

Table 6-83. CSI_ERR_CLK_LANE (Address 0x60)

| BIT | FIELD | TYPE | DEFAULT | DESCRIPTION |
|-----|----------------------|------|---------|---|
| 7:2 | RESERVED | R | 0x00 | Reserved. |
| 1 | CNTRL_ERR_HSRQST_CK0 | R | 0x0 | Clk Lane: Control Error in HS Request Mode. |
| 0 | RESERVED | R | 0x0 | Reserved. |

6.7.1.72 CSI-2 Packet Header Data

Table 6-84. CSI_PKT_HDR_VC_ID (Address 0x61)

| BIT | FIELD | TYPE | DEFAULT | DESCRIPTION |
|-----|-------------------|------|---------|--|
| 7:6 | LONG_PKT_VCHNL_ID | R | 0x0 | Virtual Channel ID from CSI-2 Packet header. |
| 5:0 | LONG_PKT_DATA_ID | R | 0x00 | Data ID from CSI-2 Packet header. |

6.7.1.73 Packet Header Word Count 0

Table 6-85. PKT_HDR_WC_LSB (Address 0x62)

| BIT | FIELD | TYPE | DEFAULT | DESCRIPTION |
|-----|----------------------|------|---------|--|
| 7:0 | LONG_PKT_WRD_CNT_LSB | R | 0x00 | Payload count lower byte from CSI-2 Packet header. |

6.7.1.74 Packet Header Word Count 1

Table 6-86. PKT_HDR_WC_MSB (Address 0x63)

| BIT | FIELD | TYPE | DEFAULT | DESCRIPTION |
|-----|----------------------|------|---------|--|
| 7:0 | LONG_PKT_WRD_CNT_MSB | R | 0x00 | Payload count upper byte from CSI-2 Packet header. |

6.7.1.75 CSI-2 ECC

Table 6-87. CSI_ECC (Address 0x64)

| BIT | FIELD | TYPE | DEFAULT | DESCRIPTION |
|-----|--------------------|------|---------|--|
| 7 | LINE_LENGTH_CHANGE | R | 0x0 | Indicates Line length change detected per frame. |
| 6 | RESERVED | R | 0x0 | Reserved. |
| 5:0 | CSI-2_ECC | R | 0x00 | CSI-2 ECC byte from packet header. |

6.7.1.76 IND_ACC_CTL

Table 6-88. IND_ACC_CTL (Address 0xB0)

| BIT | FIELD | TYPE | DEFAULT | DESCRIPTION |
|-----|-------------|------|---------|--|
| 7:5 | RESERVED | R | 0x0 | Reserved. |
| 4:2 | IA_SEL | R/W | 0x0 | Indirect Register Select: Selects target for register access 000: PATGEN 001: Analog Registers |
| 1 | IA_AUTO_INC | R/W | 0x0 | Indirect Access Auto Increment: Enables auto-increment mode. Upon completion of a read or write, the register address is automatically incremented by 1. |
| 0 | IA_READ | R/W | 0x0 | Indirect Access Read: Setting this allows generation of a read strobe to the selected register block upon setting of the IND_ACC_ADDR register. In auto-increment mode, read strobes are also asserted following a read of the IND_ACC_DATA register. This function is only required for blocks that need to pre-fetch register data. |

6.7.1.77 IND_ACC_ADDR

Table 6-89. IND_ACC_ADDR (Address 0xB1)

| BIT | FIELD | TYPE | DEFAULT | DESCRIPTION |
|-----|--------------|------|---------|---|
| 7:0 | IND_ACC_ADDR | R/W | 0x00 | Indirect Access Register Offset: This register contains the 8-bit register offset for the indirect access. |

6.7.1.78 IND_ACC_DATA

Table 6-90. IND_ACC_DATA (Address 0xB2)

| BIT | FIELD | TYPE | DEFAULT | DESCRIPTION |
|-----|--------------|------|---------|--|
| 7:0 | IND_ACC_DATA | R/W | 0x00 | Indirect Access Register Data: Writing this register causes an indirect write of the IND_ACC_DATA value to the selected analog block register. Reading this register returns the value of the selected analog block register. |

6.7.1.79 FPD3_TX_ID0

Table 6-91. FPD3_TX_ID0 (Address 0xF0)

| BIT | FIELD | TYPE | DEFAULT | DESCRIPTION |
|-----|-------------|------|---------|---------------------------------------|
| 7:0 | FPD3_TX_ID0 | R | 0x5F | FPD3_TX_ID0: First byte ID code: '_'. |

6.7.1.80 FPD3_TX_ID1

Table 6-92. FPD3_TX_ID1 (Address 0xF1)

| BIT | FIELD | TYPE | DEFAULT | DESCRIPTION |
|-----|-------------|------|---------|--|
| 7:0 | FPD3_TX_ID1 | R | 0x55 | FPD3_TX_ID1: 2nd byte of ID code: 'U'. |

6.7.1.81 FPD3_TX_ID2

Table 6-93. FPD3_TX_ID2 (Address 0xF2)

| BIT | FIELD | TYPE | DEFAULT | DESCRIPTION |
|-----|-------------|------|---------|--|
| 7:0 | FPD3_TX_ID2 | R | 0x42 | FPD3_TX_ID2: 3rd byte of ID code: 'B'. |

6.7.1.82 FPD3_TX_ID3

Table 6-94. FPD3_TX_ID3 (Address 0xF3)

| BIT | FIELD | TYPE | DEFAULT | DESCRIPTION |
|-----|-------------|------|---------|--|
| 7:0 | FPD3_TX_ID3 | R | 0x39 | FPD3_TX_ID3: 4th byte of ID code: '9'. |

6.7.1.83 FPD3_TX_ID4

Table 6-95. FPD3_TX_ID4 (Address 0xF4)

| BIT | FIELD | TYPE | DEFAULT | DESCRIPTION |
|-----|-------------|------|---------|--|
| 7:0 | FPD3_TX_ID4 | R | 0x35 | FPD3_TX_ID4: 5th byte of ID code: '5'. |

6.7.1.84 FPD3_TX_ID5

Table 6-96. FPD3_TX_ID5 (Address 0xF5)

| BIT | FIELD | TYPE | DEFAULT | DESCRIPTION |
|-----|-------------|------|---------|--|
| 7:0 | FPD3_TX_ID5 | R | 0x33 | FPD3_TX_ID5: 6th byte of ID code: '3'. |

6.7.2 Indirect Access Registers

Several functional blocks include register sets contained in the Indirect Access map; that is, Pattern Generator, and Analog controls. Register access is provided through an indirect access mechanism through the Indirect Access registers (IND_ACC_CTL, IND_ACC_ADDR, and IND_ACC_DATA). These registers are located at offsets 0xB0-0xB2 in the main register space.

The indirect address mechanism involves setting the control register to select the desired block, setting the register offset address, and reading or writing the data register. In addition, an auto-increment function is provided in the control register to automatically increment the offset address following each read or write of the data register.

For writes, the process is as follows:

1. Write to the IND_ACC_CTL register to select the desired register block
2. Write to the IND_ACC_ADDR register to set the register offset
3. Write the data value to the IND_ACC_DATA register

If auto-increment is set in the IND_ACC_CTL register, repeating step 3 writes additional data bytes to subsequent register offset locations.

For reads, the process is as follows:

1. Write to the IND_ACC_CTL register to select the desired register block
2. Write to the IND_ACC_ADDR register to set the register offset
3. Read from the IND_ACC_DATA register

If auto-increment is set in the IND_ACC_CTL register, repeating step 3 reads additional data bytes from subsequent register offset locations.

6.7.2.1 PATGEN Registers

Table 6-97 lists the memory-mapped registers for the PATGEN registers. All register offset addresses not listed in Table 6-97 should be considered as reserved locations and the register contents should not be modified.

Table 6-97. PATGEN Registers

| Address | Acronym | Register Name | Section |
|---------|-----------------|-----------------|--------------------|
| 0x1 | PGEN_CTL | PGEN_CTL | Go |
| 0x2 | PGEN_CFG | PGEN_CFG | Go |
| 0x3 | PGEN_CSI_DI | PGEN_CSI_DI | Go |
| 0x4 | PGEN_LINE_SIZE1 | PGEN_LINE_SIZE1 | Go |
| 0x5 | PGEN_LINE_SIZE0 | PGEN_LINE_SIZE0 | Go |
| 0x6 | PGEN_BAR_SIZE1 | PGEN_BAR_SIZE1 | Go |
| 0x7 | PGEN_BAR_SIZE0 | PGEN_BAR_SIZE0 | Go |
| 0x8 | PGEN_ACT_LPF1 | PGEN_ACT_LPF1 | Go |
| 0x9 | PGEN_ACT_LPF0 | PGEN_ACT_LPF0 | Go |
| 0xA | PGEN_TOT_LPF1 | PGEN_TOT_LPF1 | Go |
| 0xB | PGEN_TOT_LPF0 | PGEN_TOT_LPF0 | Go |
| 0xC | PGEN_LINE_PD1 | PGEN_LINE_PD1 | Go |
| 0xD | PGEN_LINE_PD0 | PGEN_LINE_PD0 | Go |
| 0xE | PGEN_VBP | PGEN_VBP | Go |
| 0xF | PGEN_VFP | PGEN_VFP | Go |
| 0x10 | PGEN_COLOR0 | PGEN_COLOR0 | Go |
| 0x11 | PGEN_COLOR1 | PGEN_COLOR1 | Go |
| 0x12 | PGEN_COLOR2 | PGEN_COLOR2 | Go |
| 0x13 | PGEN_COLOR3 | PGEN_COLOR3 | Go |
| 0x14 | PGEN_COLOR4 | PGEN_COLOR4 | Go |
| 0x15 | PGEN_COLOR5 | PGEN_COLOR5 | Go |
| 0x16 | PGEN_COLOR6 | PGEN_COLOR6 | Go |
| 0x17 | PGEN_COLOR7 | PGEN_COLOR7 | Go |
| 0x18 | PGEN_COLOR8 | PGEN_COLOR8 | Go |
| 0x19 | PGEN_COLOR9 | PGEN_COLOR9 | Go |
| 0x1A | PGEN_COLOR10 | PGEN_COLOR10 | Go |
| 0x1B | PGEN_COLOR11 | PGEN_COLOR11 | Go |
| 0x1C | PGEN_COLOR12 | PGEN_COLOR12 | Go |
| 0x1D | PGEN_COLOR13 | PGEN_COLOR13 | Go |
| 0x1E | PGEN_COLOR14 | PGEN_COLOR14 | Go |
| 0x1F | PGEN_COLOR15 | PGEN_COLOR15 | Go |

Complex bit access types are encoded to fit into small table cells. Table 6-98 shows the codes that are used for access types in this section.

Table 6-98. PATGEN Access Type Codes

| Access Type | Code | Description |
|------------------------|------|-------------|
| Read Type | | |
| R | R | Read |
| Write Type | | |
| W | W | Write |
| Reset or Default Value | | |

Table 6-98. PATGEN Access Type Codes (continued)

| Access Type | Code | Description |
|-------------|------|--|
| -n | | Value after reset or the default value |

6.7.2.1.1 PGEN_CTL Register (Address = 0x1) [Default = 0x00]

PGEN_CTL is shown in [Table 6-99](#).

Return to the [Summary Table](#).

Table 6-99. PGEN_CTL Register Field Descriptions

| Bit | Field | Type | Default | Description |
|-----|-------------|------|---------|---|
| 7:1 | RESERVED | R | 0x0 | Reserved |
| 0 | PGEN_ENABLE | R/W | 0x0 | Pattern Generator Enable 1: Enable Pattern Generator 0: Disable Pattern Generator |

6.7.2.1.2 PGEN_CFG Register (Address = 0x2) [Default = 0x33]

PGEN_CFG is shown in [Table 6-100](#).

Return to the [Summary Table](#).

Table 6-100. PGEN_CFG Register Field Descriptions

| Bit | Field | Type | Default | Description |
|-----|---------------|------|---------|--|
| 7 | PGEN_FIXED_EN | R/W | 0x0 | Fixed Pattern Enable Setting this bit enables Fixed Color Patterns. 0: Send Color Bar Pattern 1: Send Fixed Color Pattern |
| 6 | RESERVED | R | 0x0 | Reserved |
| 5:4 | NUM_CBARS | R/W | 0x3 | Number of Color Bars 00: 1 Color Bar 01: 2 Color Bars 10: 4 Color Bars 11: 8 Color Bars |
| 3:0 | BLOCK_SIZE | R/W | 0x3 | Block Size. For Fixed Color Patterns, this field controls the size of the fixed color field in bytes. Allowed values are 1 to 12. |

6.7.2.1.3 PGEN_CSI_DI Register (Address = 0x3) [Default = 0x24]

PGEN_CSI_DI is shown in [Table 6-101](#).

Return to the [Summary Table](#).

Table 6-101. PGEN_CSI_DI Register Field Descriptions

| Bit | Field | Type | Default | Description |
|-----|-------------|------|---------|---|
| 7:6 | PGEN_CSI_VC | R/W | 0x0 | CSI Virtual Channel Identifier This field controls the value sent in the CSI packet for the Virtual Channel Identifier |
| 5:0 | PGEN_CSI_DT | R/W | 0x24 | CSI Data Type This field controls the value sent in the CSI packet for the Data Type. The default value (0x24) indicates RGB888. |

6.7.2.1.4 PGEN_LINE_SIZE1 Register (Address = 0x4) [Default = 0x07]

PGEN_LINE_SIZE1 is shown in [Table 6-102](#).

Return to the [Summary Table](#).

Table 6-102. PGEN_LINE_SIZE1 Register Field Descriptions

| Bit | Field | Type | Default | Description |
|-----|----------------------|------|---------|--|
| 7:0 | PGEN_LINE_SIZE[15:8] | R/W | 0x7 | Most significant byte of the Pattern Generator line size. This is the active line length in bytes. Default setting is for 1920 bytes for a 640 pixel line width. |

6.7.2.1.5 PGEN_LINE_SIZE0 Register (Address = 0x5) [Default = 0x80]

PGEN_LINE_SIZE0 is shown in [Table 6-103](#).

Return to the [Summary Table](#).

Table 6-103. PGEN_LINE_SIZE0 Register Field Descriptions

| Bit | Field | Type | Default | Description |
|-----|---------------------|------|---------|---|
| 7:0 | PGEN_LINE_SIZE[7:0] | R/W | 0x80 | Least significant byte of the Pattern Generator line size. This is the active line length in bytes. Default setting is for 1920 bytes for a 640 pixel line width. |

6.7.2.1.6 PGEN_BAR_SIZE1 Register (Address = 0x6) [Default = 0x00]

PGEN_BAR_SIZE1 is shown in [Table 6-104](#).

Return to the [Summary Table](#).

Table 6-104. PGEN_BAR_SIZE1 Register Field Descriptions

| Bit | Field | Type | Default | Description |
|-----|---------------------|------|---------|---|
| 7:0 | PGEN_BAR_SIZE[15:8] | R/W | 0x0 | Most significant byte of the Pattern Generator color bar size. This is the active length in bytes for the color bars. This value is used for all except the last color bar. The last color bar is determined by the remaining bytes as defined by the PGEN_LINE_SIZE value. |

6.7.2.1.7 PGEN_BAR_SIZE0 Register (Address = 0x7) [Default = 0xF0]

PGEN_BAR_SIZE0 is shown in [Table 6-105](#).

Return to the [Summary Table](#).

Table 6-105. PGEN_BAR_SIZE0 Register Field Descriptions

| Bit | Field | Type | Default | Description |
|-----|--------------------|------|---------|--|
| 7:0 | PGEN_BAR_SIZE[7:0] | R/W | 0xF0 | Least significant byte of the Pattern Generator color bar size. This is the active length in bytes for the color bars. This value is used for all except the last color bar. The last color bar is determined by the remaining bytes as defined by the PGEN_LINE_SIZE value. |

6.7.2.1.8 PGEN_ACT_LPF1 Register (Address = 0x8) [Default = 0x01]

PGEN_ACT_LPF1 is shown in [Table 6-106](#).

Return to the [Summary Table](#).

Table 6-106. PGEN_ACT_LPF1 Register Field Descriptions

| Bit | Field | Type | Default | Description |
|-----|--------------------|------|---------|---|
| 7:0 | PGEN_ACT_LPF[15:8] | R/W | 0x1 | Active Lines Per Frame Most significant byte of the number of active lines per frame. Default setting is for 480 active lines per frame. |

6.7.2.1.9 PGEN_ACT_LPF0 Register (Address = 0x9) [Default = 0xE0]

PGEN_ACT_LPF0 is shown in [Table 6-107](#).

Return to the [Summary Table](#).

Table 6-107. PGEN_ACT_LPF0 Register Field Descriptions

| Bit | Field | Type | Default | Description |
|-----|-------------------|------|---------|--|
| 7:0 | PGEN_ACT_LPF[7:0] | R/W | 0xE0 | Active Lines Per Frame Least significant byte of the number of active lines per frame. Default setting is for 480 active lines per frame. |

6.7.2.1.10 PGEN_TOT_LPF1 Register (Address = 0xA) [Default = 0x02]

PGEN_TOT_LPF1 is shown in [Table 6-108](#).

Return to the [Summary Table](#).

Table 6-108. PGEN_TOT_LPF1 Register Field Descriptions

| Bit | Field | Type | Default | Description |
|-----|--------------------|------|---------|---|
| 7:0 | PGEN_TOT_LPF[15:8] | R/W | 0x2 | Total Lines Per Frame Most significant byte of the number of total lines per frame including vertical blanking |

6.7.2.1.11 PGEN_TOT_LPF0 Register (Address = 0xB) [Default = 0x0D]

PGEN_TOT_LPF0 is shown in [Table 6-109](#).

Return to the [Summary Table](#).

Table 6-109. PGEN_TOT_LPF0 Register Field Descriptions

| Bit | Field | Type | Default | Description |
|-----|-------------------|------|---------|--|
| 7:0 | PGEN_TOT_LPF[7:0] | R/W | 0xD | Total Lines Per Frame Least significant byte of the number of total lines per frame including vertical blanking |

6.7.2.1.12 PGEN_LINE_PD1 Register (Address = 0xC) [Default = 0x0C]

PGEN_LINE_PD1 is shown in [Table 6-110](#).

Return to the [Summary Table](#).

Table 6-110. PGEN_LINE_PD1 Register Field Descriptions

| Bit | Field | Type | Default | Description |
|-----|--------------------|------|---------|---|
| 7:0 | PGEN_LINE_PD[15:8] | R/W | 0xC | Line Period Most significant byte of the line period in 40/FC units. |

6.7.2.1.13 PGEN_LINE_PD0 Register (Address = 0xD) [Default = 0x67]

PGEN_LINE_PD0 is shown in [Table 6-111](#).

Return to the [Summary Table](#).

Table 6-111. PGEN_LINE_PD0 Register Field Descriptions

| Bit | Field | Type | Default | Description |
|-----|-------------------|------|---------|---|
| 7:0 | PGEN_LINE_PD[7:0] | R/W | 0x67 | Line Period Most significant byte of the line period in 40/FC units. |

6.7.2.1.14 PGEN_VBP Register (Address = 0xE) [Default = 0x21]

PGEN_VBP is shown in [Table 6-112](#).

Return to the [Summary Table](#).

Table 6-112. PGEN_VBP Register Field Descriptions

| Bit | Field | Type | Default | Description |
|-----|----------|------|---------|--|
| 7:0 | PGEN_VBP | R/W | 0x21 | Vertical Back Porch This value provides the vertical back porch portion of the vertical blanking interval. This value provides the number of blank lines between the FrameStart packet and the first video data packet. |

6.7.2.1.15 PGEN_VFP Register (Address = 0xF) [Default = 0x0A]

PGEN_VFP is shown in [Table 6-113](#).

Return to the [Summary Table](#).

Table 6-113. PGEN_VFP Register Field Descriptions

| Bit | Field | Type | Default | Description |
|-----|----------|------|---------|--|
| 7:0 | PGEN_VFP | R/W | 0xA | Vertical Front Porch This value provides the vertical front porch portion of the vertical blanking interval. This value provides the number of blank lines between the last video line and the FrameEnd packet. |

6.7.2.1.16 PGEN_COLOR0 Register (Address = 0x10) [Default = 0xAA]

PGEN_COLOR0 is shown in [Table 6-114](#).

Return to the [Summary Table](#).

Table 6-114. PGEN_COLOR0 Register Field Descriptions

| Bit | Field | Type | Default | Description |
|-----|-------------|------|---------|---|
| 7:0 | PGEN_COLOR0 | R/W | 0xAA | Pattern Generator Color 0 For Reference Color Bar Patterns, this register controls the byte data value sent during color bar 0. For Fixed Color Patterns, this register controls the first byte of the fixed color pattern. |

6.7.2.1.17 PGEN_COLOR1 Register (Address = 0x11) [Default = 0x33]

PGEN_COLOR1 is shown in [Table 6-115](#).

Return to the [Summary Table](#).

Table 6-115. PGEN_COLOR1 Register Field Descriptions

| Bit | Field | Type | Default | Description |
|-----|-------------|------|---------|--|
| 7:0 | PGEN_COLOR1 | R/W | 0x33 | Pattern Generator Color 1 For Reference Color Bar Patterns, this register controls the byte data value sent during color bar 1. For Fixed Color Patterns, this register controls the second byte of the fixed color pattern. |

6.7.2.1.18 PGEN_COLOR2 Register (Address = 0x12) [Default = 0xF0]

PGEN_COLOR2 is shown in [Table 6-116](#).

Return to the [Summary Table](#).

Table 6-116. PGEN_COLOR2 Register Field Descriptions

| Bit | Field | Type | Default | Description |
|-----|-------------|------|---------|---|
| 7:0 | PGEN_COLOR2 | R/W | 0xF0 | Pattern Generator Color 2 For Reference Color Bar Patterns, this register controls the byte data value sent during color bar 2. For Fixed Color Patterns, this register controls the third byte of the fixed color pattern. |

6.7.2.1.19 PGEN_COLOR3 Register (Address = 0x13) [Default = 0x7F]

PGEN_COLOR3 is shown in [Table 6-117](#).

Return to the [Summary Table](#).

Table 6-117. PGEN_COLOR3 Register Field Descriptions

| Bit | Field | Type | Default | Description |
|-----|-------------|------|---------|--|
| 7:0 | PGEN_COLOR3 | R/W | 0x7F | Pattern Generator Color 3 For Reference Color Bar Patterns, this register controls the byte data value sent during color bar 3. For Fixed Color Patterns, this register controls the fourth byte of the fixed color pattern. |

6.7.2.1.20 PGEN_COLOR4 Register (Address = 0x14) [Default = 0x55]

PGEN_COLOR4 is shown in [Table 6-118](#).

Return to the [Summary Table](#).

Table 6-118. PGEN_COLOR4 Register Field Descriptions

| Bit | Field | Type | Default | Description |
|-----|-------------|------|---------|---|
| 7:0 | PGEN_COLOR4 | R/W | 0x55 | Pattern Generator Color 4 For Reference Color Bar Patterns, this register controls the byte data value sent during color bar 4. For Fixed Color Patterns, this register controls the fifth byte of the fixed color pattern. |

6.7.2.1.21 PGEN_COLOR5 Register (Address = 0x15) [Default = 0xCC]

PGEN_COLOR5 is shown in [Table 6-119](#).

Return to the [Summary Table](#).

Table 6-119. PGEN_COLOR5 Register Field Descriptions

| Bit | Field | Type | Default | Description |
|-----|-------------|------|---------|---|
| 7:0 | PGEN_COLOR5 | R/W | 0xCC | Pattern Generator Color 5 For Reference Color Bar Patterns, this register controls the byte data value sent during color bar 5. For Fixed Color Patterns, this register controls the sixth byte of the fixed color pattern. |

6.7.2.1.22 PGEN_COLOR6 Register (Address = 0x16) [Default = 0x0F]

PGEN_COLOR6 is shown in [Table 6-120](#).

Return to the [Summary Table](#).

Table 6-120. PGEN_COLOR6 Register Field Descriptions

| Bit | Field | Type | Default | Description |
|-----|-------------|------|---------|---|
| 7:0 | PGEN_COLOR6 | R/W | 0xF | Pattern Generator Color 6 For Reference Color Bar Patterns, this register controls the byte data value sent during color bar 6. For Fixed Color Patterns, this register controls the seventh byte of the fixed color pattern. |

6.7.2.1.23 PGEN_COLOR7 Register (Address = 0x17) [Default = 0x80]

PGEN_COLOR7 is shown in [Table 6-121](#).

Return to the [Summary Table](#).

Table 6-121. PGEN_COLOR7 Register Field Descriptions

| Bit | Field | Type | Default | Description |
|-----|-------------|------|---------|--|
| 7:0 | PGEN_COLOR7 | R/W | 0x80 | Pattern Generator Color 7 For Reference Color Bar Patterns, this register controls the byte data value sent during color bar 7. For Fixed Color Patterns, this register controls the eighth byte of the fixed color pattern. |

6.7.2.1.24 PGEN_COLOR8 Register (Address = 0x18) [Default = 0x00]

PGEN_COLOR8 is shown in [Table 6-122](#).

Return to the [Summary Table](#).

Table 6-122. PGEN_COLOR8 Register Field Descriptions

| Bit | Field | Type | Default | Description |
|-----|-------------|------|---------|--|
| 7:0 | PGEN_COLOR8 | R/W | 0x0 | Pattern Generator Color 8 For Fixed Color Patterns, this register controls the ninth byte of the fixed color pattern. |

6.7.2.1.25 PGEN_COLOR9 Register (Address = 0x19) [Default = 0x00]

PGEN_COLOR9 is shown in [Table 6-123](#).

Return to the [Summary Table](#).

Table 6-123. PGEN_COLOR9 Register Field Descriptions

| Bit | Field | Type | Default | Description |
|-----|-------------|------|---------|--|
| 7:0 | PGEN_COLOR9 | R/W | 0x0 | Pattern Generator Color 9 For Fixed Color Patterns, this register controls the tenth byte of the fixed color pattern. |

6.7.2.1.26 PGEN_COLOR10 Register (Address = 0x1A) [Default = 0x00]

PGEN_COLOR10 is shown in [Table 6-124](#).

Return to the [Summary Table](#).

Table 6-124. PGEN_COLOR10 Register Field Descriptions

| Bit | Field | Type | Default | Description |
|-----|--------------|------|---------|--|
| 7:0 | PGEN_COLOR10 | R/W | 0x0 | Pattern Generator Color 10 For Fixed Color Patterns, this register controls the eleventh byte of the fixed color pattern. |

6.7.2.1.27 PGEN_COLOR11 Register (Address = 0x1B) [Default = 0x00]

PGEN_COLOR11 is shown in [Table 6-125](#).

Return to the [Summary Table](#).

Table 6-125. PGEN_COLOR11 Register Field Descriptions

| Bit | Field | Type | Default | Description |
|-----|--------------|------|---------|---|
| 7:0 | PGEN_COLOR11 | R/W | 0x0 | Pattern Generator Color 11 For Fixed Color Patterns, this register controls the twelfth byte of the fixed color pattern. |

6.7.2.1.28 PGEN_COLOR12 Register (Address = 0x1C) [Default = 0x00]

PGEN_COLOR12 is shown in [Table 6-126](#).

Return to the [Summary Table](#).

Table 6-126. PGEN_COLOR12 Register Field Descriptions

| Bit | Field | Type | Default | Description |
|-----|--------------|------|---------|--|
| 7:0 | PGEN_COLOR12 | R/W | 0x0 | Pattern Generator Color 12 For Fixed Color Patterns, this register controls the thirteenth byte of the fixed color pattern. |

6.7.2.1.29 PGEN_COLOR13 Register (Address = 0x1D) [Default = 0x00]

PGEN_COLOR13 is shown in [Table 6-127](#).

Return to the [Summary Table](#).

Table 6-127. PGEN_COLOR13 Register Field Descriptions

| Bit | Field | Type | Default | Description |
|-----|--------------|------|---------|--|
| 7:0 | PGEN_COLOR13 | R/W | 0x0 | Pattern Generator Color 13 For Fixed Color Patterns, this register controls the fourteenth byte of the fixed color pattern. |

6.7.2.1.30 PGEN_COLOR14 Register (Address = 0x1E) [Default = 0x00]

PGEN_COLOR14 is shown in [Table 6-128](#).

Return to the [Summary Table](#).

Table 6-128. PGEN_COLOR14 Register Field Descriptions

| Bit | Field | Type | Default | Description |
|-----|--------------|------|---------|---|
| 7:0 | PGEN_COLOR14 | R/W | 0x0 | Pattern Generator Color 14 For Fixed Color Patterns, this register controls the fifteenth byte of the fixed color pattern. |

6.7.2.1.31 PGEN_COLOR15 Register (Address = 0x1F) [Default = 0x00]

PGEN_COLOR15 is shown in [Table 6-129](#).

Return to the [Summary Table](#).

Table 6-129. PGEN_COLOR15 Register Field Descriptions

| Bit | Field | Type | Default | Description |
|-----|--------------|------|---------|---|
| 7:0 | PGEN_COLOR15 | R/W | 0x0 | Pattern Generator Color 15 For Fixed Color Patterns, this register controls the sixteenth byte of the fixed color pattern. |

6.7.2.2 Analog Registers

Table 6-130 lists the memory-mapped registers for the Analog registers. All register offset addresses not listed in Table 6-130 should be considered as reserved locations and the register contents should not be modified.

Table 6-130. ANALOG Registers

| Address | Acronym | Register Name | Section |
|---------|-----------------------|-----------------------|--------------------|
| 0x4B | TEMP_RAMP_DYNAMIC_CFG | TEMP_RAMP_DYNAMIC_CFG | Go |
| 0x4C | TEMP_RAMP_STATIC_CFG | TEMP_RAMP_STATIC_CFG | Go |

Complex bit access types are encoded to fit into small table cells. Table 6-131 shows the codes that are used for access types in this section.

Table 6-131. Analog Access Type Codes

| Access Type | Code | Description |
|------------------------|------|--|
| Read Type | | |
| R | R | Read |
| Write Type | | |
| W | W | Write |
| Reset or Default Value | | |
| -n | | Value after reset or the default value |

6.7.2.2.1 TEMP_RAMP_DYNAMIC_CFG Register (Address = 0x4B) [Default = 0x8X]

TEMP_RAMP_DYNAMIC_CFG is shown in Table 6-132.

Return to the [Summary Table](#).

Table 6-132. TEMP_RAMP_DYNAMIC_CFG Register Field Descriptions

| Bit | Field | Type | Default | Description |
|-----|-----------------------|------|---------|---|
| 7 | RESERVED | R | 0x0 | Reserved |
| 6 | RESERVED | R | 0x0 | Reserved |
| 5 | TEMP_RAMP_OV | R/W | 0x0 | Temperature Ramp Override Set field to 0x1 to enable temperature ramp configuration override. |
| 4 | RESERVED | R | 0x0 | Reserved |
| 3:0 | TEMP_RAMP_DYNAMIC_CFG | R/W | 0x0 | Temperature Ramp Dynamic Configuration Implement a register offset depending on the serializer die temperature. Refer to Section 7.3.1.1 System Initialization for more details. Temperature < -10: read back value - 1 -10 < Temperature < 35: no offset implemented 35 < Temperature < 100: read back value + 1 Temperature > 100: read back value + 3 |

6.7.2.2.2 TEMP_RAMP_STATIC_CFG Register (Address = 0x4C) [Default = 0x00]

TEMP_RAMP_STATIC_CFG is shown in Table 6-133.

Return to the [Summary Table](#).

Table 6-133. TEMP_RAMP_STATIC_CFG Register Field Descriptions

| Bit | Field | Type | Default | Description |
|-----|----------------------|------|---------|---|
| 7 | RESERVED | R | 0x0 | Reserved |
| 6:4 | TEMP_RAMP_STATIC_CFG | R/W | 0x0 | Temperature Ramp Static Configuration Set field to 0x3 during system initialization. Refer to Section 7.3.1.1 System Initialization. |

Table 6-133. TEMP_RAMP_STATIC_CFG Register Field Descriptions (continued)

| Bit | Field | Type | Default | Description |
|-----|----------|------|---------|-------------|
| 3:0 | RESERVED | R | 0x0 | Reserved |

7 Application and Implementation

Note

Information in the following applications sections is not part of the TI component specification, and TI does not warrant its accuracy or completeness. TI's customers are responsible for determining suitability of components for their purposes, as well as validating and testing their design implementation to confirm system functionality.

7.1 Application Information

The link between the DS90UB953A-Q1 and the companion deserializer has two distinct data paths. The first path is a forward channel which is nominally running at up to 4.16Gbps and is encoded such that the channel occupies a bandwidth from 20MHz to 2.1 GHz. The second path is a back channel from the deserializer to the serializer which occupies a frequency range nominally from 10MHz to 50MHz.

For these two communications links to operate properly, the circuit between the serializer and the deserializer must present a characteristic impedance of 50Ω. Deviations from this 50Ω characteristic will lead to signal reflections either at the serializer or deserializer, which will result in bit errors.

7.1.1 Power-over-Coax

The DS90UB953A-Q1 is designed to support the Power-over-Coax (PoC) method of powering remote sensor systems. With this method, the power is delivered over the same medium (a coaxial cable) used for high-speed digital video data, bidirectional control, and diagnostics data transmission. This method uses passive networks or filters that isolate the transmission line from the loading of the DC-DC regulator circuits and the connecting power traces on both sides of the link as shown in [Figure 7-1](#).

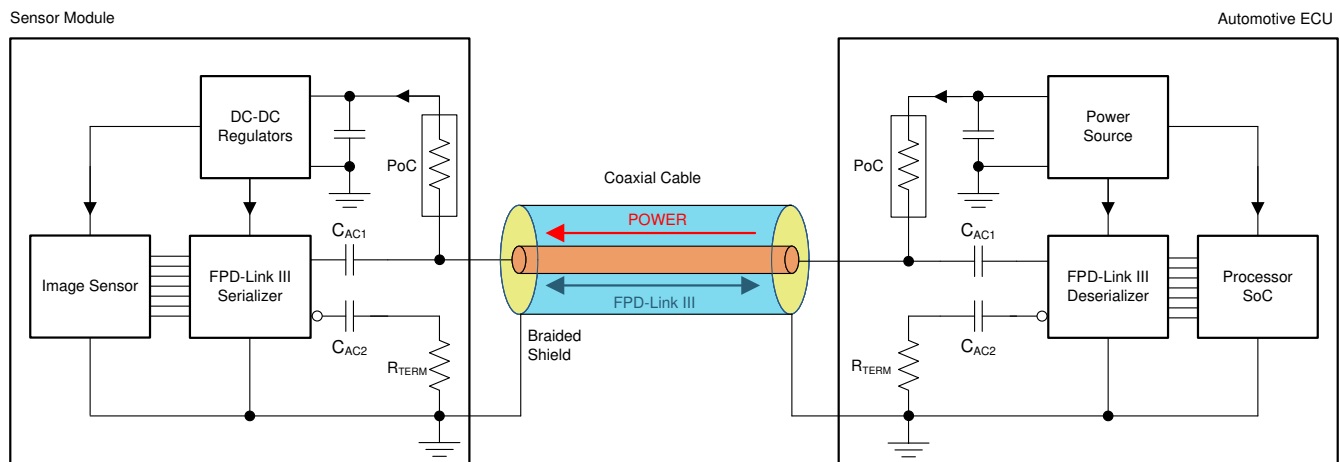


Figure 7-1. Power-over-Coax (PoC) System Diagram

The PoC networks' impedance of $\geq 1\text{k}\Omega$ over a specific frequency band is recommended to isolate the transmission line from the loading of the regulator circuits. Higher PoC network impedance contributes to favorable insertion loss and return loss characteristics in the high-speed channel. The lower limit of the frequency band is defined as $\frac{1}{2}$ of the frequency of the back channel, f_{BC} . The upper limit of the frequency band is the frequency of the forward high-speed channel, f_{FC} . However, the main criteria that need to be met in the total high-speed channel, which consists of a serializer PCB, a deserializer PCB, and a cable, are the insertion loss and return loss limits defined in the Total Channel Requirements⁽¹⁾ over the entire system, while the system is under maximum current load and extreme temperature conditions⁽²⁾.

1. Contact TI for more information on the required Channel Specifications defined for each individual FPD-Link device.
2. The PoC network and any components along the high-speed trace on the PCB contributes to the PCB loss budget. TI has recommendations for the loss budget allocation for each individual PCB and cable component in the overall high-speed channel, but the loss limits defined for the total channel in the Channel Specifications must be met.

Figure 7-2 shows an example PoC network designed for a "4G" FPD-Link III consisting of DS90UB953A-Q1 and DS90UB954-Q1 or DS90UB960-Q1 pair with the bidirectional channel operating at 50Mbps ($\frac{1}{2} f_{BCC} = 25\text{MHz}$.) and the forward channel operating at 4.16Gbps ($f_{FC} \approx 2.1\text{GHz}$). Other PoC networks are possible and can be different on the serializer and the deserializer boards as long as the printed-circuit board return loss requirements are met.

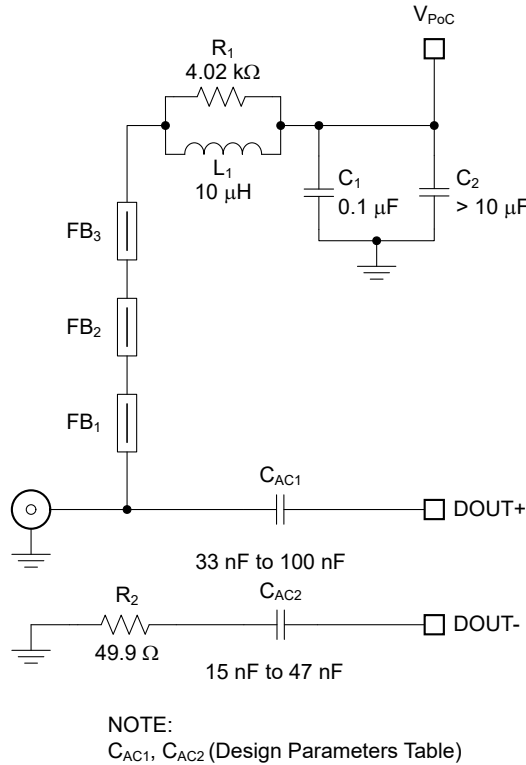


Figure 7-2. Typical PoC Network for a "4G" FPD-Link III

Table 7-1 lists essential components for this particular PoC network. Note that the impedance characteristic of the ferrite beads deviates with the bias current. Therefore, keeping the current going through the network below 150mA is recommended.

Table 7-1. Suggested Components for a "4G" FPD-Link III PoC Network

| COUNT | REF DES | DESCRIPTION | PART NUMBER | MFR |
|-------|---------|---|------------------|--------|
| 1 | L1 | Inductor, 10 μ H, 0.288 Ω maximum, 530mA minimum (Isat, Itemp) 30MHz SRF minimum, 3mm \times 3mm, General-Purpose | LQH3NPN100MJR | Murata |
| | | Inductor, 10 μ H, 0.288 Ω maximum, 530mA minimum (Isat, Itemp) 30MHz SRF minimum, 3mm \times 3mm, AEC-Q200 | LQH3NPZ100MJR | Murata |
| | | Inductor, 10 μ H, 0.360 Ω maximum, 450mA minimum (Isat, Itemp) 30MHz SRF minimum, 3.2mm \times 2.5mm, AEC-Q200 | NLCV32T-100K-EFD | TDK |
| | | Inductor, 10 μ H, 0.400 Ω typical, 550mA minimum (Isat, Itemp) 39MHz SRF typical, 3mm \times 3mm, AEC-Q200 | TYS3010100M-10 | Laird |
| | | Inductor, 10 μ H, 0.325 Ω maximum, 725mA minimum (Isat, Itemp) 41MHz SRF typical, 3mm \times 3mm, AEC-Q200 | TYS3015100M-10 | Laird |
| 3 | FB1-FB3 | Ferrite Bead, 1.5k Ω at 1GHz, 0.5 Ω maximum at DC 500mA at 85 $^{\circ}$ C, 0603 SMD , General-Purpose | BLM18HE152SN1 | Murata |
| | | Ferrite Bead, 1.5k Ω at 1GHz, 0.5 Ω maximum at DC 500mA at 85 $^{\circ}$ C, 0603 SMD , AEC-Q200 | BLM18HE152SZ1 | Murata |

In addition to the selection of PoC network components, the placement and layout play a critical role as well.

- Place the smallest component, typically a ferrite bead or a chip inductor, as close to the connector as possible. Route the high-speed trace through one of the pads to avoid stubs.
- Use the smallest component pads as allowed by manufacturer's design rules. Add anti-pads in the inner planes below the component pads to minimize impedance drop.
- Consult with the connector manufacturer for optimized connector footprint. If the connector is mounted on the same side as the IC, minimize the impact of the through-hole connector stubs by routing the high-speed signal traces on the opposite side of the connector mounting side.
- Use coupled 100 Ω differential signal traces from the device pins to the AC-coupling caps. Use 50 Ω single-ended traces from the AC-coupling capacitors to the connector.
- Terminate the inverting signal traces close to the connectors with standard 49.9 Ω resistors.

The suggested characteristics for single-ended PCB traces (microstrips or striplines) for serializer or deserializer boards are listed in [Table 7-2](#). The effects of the PoC networks must be accounted for when testing the traces for compliance to the suggested limits.

Table 7-2. Suggested Characteristics for Single-Ended PCB Traces With Attached PoC Networks

| PARAMETER | MIN | TYP | MAX | UNIT |
|---|-----|-----|-----|----------|
| L_{trace} Single-ended PCB trace length from the device pin to the connector pin | | | 5 | cm |
| Z_{trace} Single-ended PCB trace characteristic impedance | 45 | 50 | 55 | Ω |
| Z_{con} Connector (mounted) characteristic impedance | 40 | 50 | 60 | Ω |

The V_{POC} fluctuations on the serializer side, caused by the transient current draw of the sensor, the DC resistance of cables, and PoC components, must be kept to a minimum as well. Increasing the V_{POC} voltage and adding extra decoupling capacitance ($> 10 \mu\text{F}$) help reduce the amplitude and slew rate of the V_{POC} fluctuations.

7.2 Typical Applications

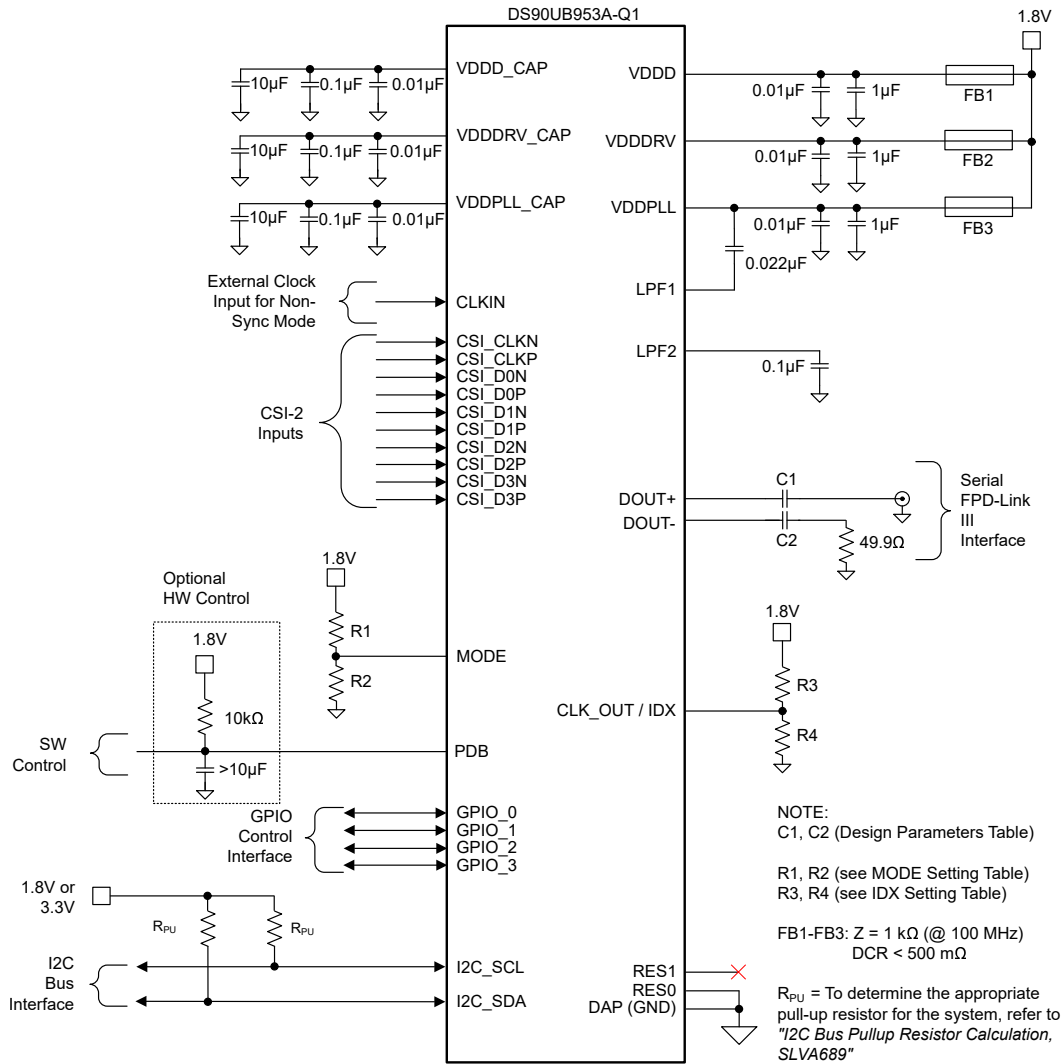


Figure 7-3. Typical Connection Diagram Coaxial

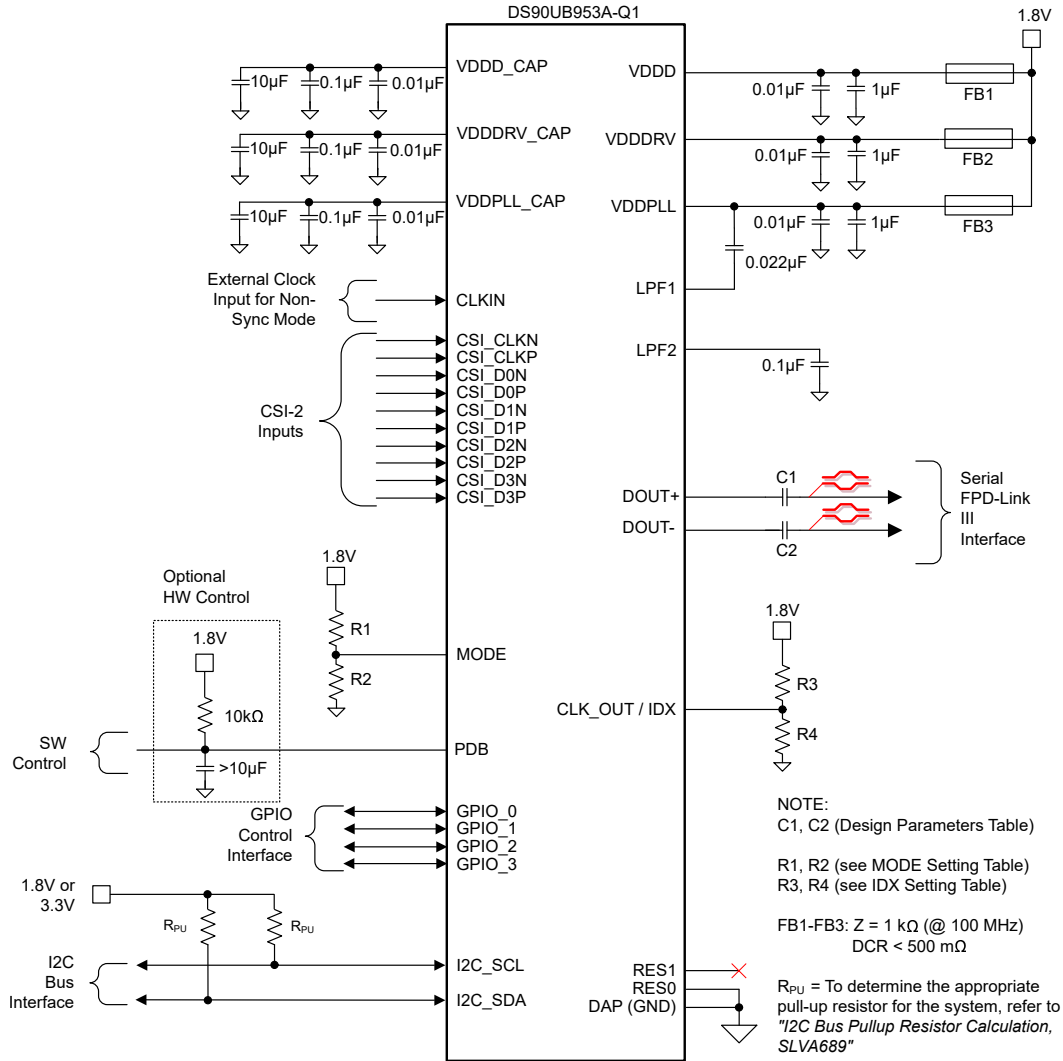


Figure 7-4. Typical Connection Diagram STP

7.2.1 Design Requirements

For a typical design application, use the parameters listed in [Table 7-3](#).

Table 7-3. Design Parameters

| DESIGN PARAMETER | PIN(S) | VALUE |
|--|-------------------------|----------------------------------|
| $V_{(VDD)}$ | VDDD, VDDDRV, VDDPLL | 1.8V |
| AC-Coupling Capacitor for Synchronous Modes, Coaxial Connection | DOUT+ | 33nF – 100nF (50 V / X7R / 0402) |
| | DOUT– | 15nF – 47nF (50 V / X7R / 0402) |
| AC-Coupling Capacitor for Synchronous Modes, STP Connection | DOUT+, DOUT– | 33 – 100nF (50V / X7R / 0402) |
| AC-Coupling Capacitor for Non-Synchronous and DVP Backwards Compatible Modes, Coaxial Connection | DOUT+ | 100nF (50V / X7R / 0402) |
| | DOUT– | 47nF (50V / X7R / 0402) |
| AC-Coupling Capacitor for Non-Synchronous and DVP Backwards Compatible Modes, STP Connection | DOUT+, DOUT– | 100nF (50V / X7R / 0402) |

The SER/DES only supports AC-coupled interconnects through an integrated DC-balanced decoding scheme. External AC-coupling capacitors must be placed in series in the FPD-Link III signal path as shown in [Figure 7-5](#) and [Figure 7-6](#). For applications using single-ended 50Ω coaxial cable, terminate the unused data pins (DOUT+, DOUT–) with an AC-coupling capacitor and a 50Ω resistor.

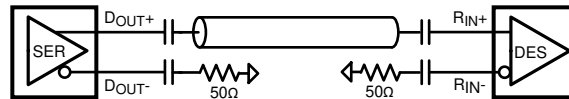


Figure 7-5. AC-Coupled Connection (Coaxial)

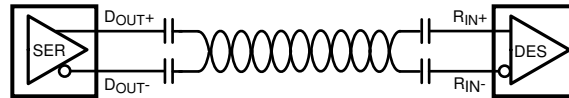


Figure 7-6. AC-Coupled Connection (STP)

For high-speed FPD-Link III transmissions, use the smallest available package for the AC-coupling capacitor to help minimize degradation of signal quality due to package parasitics.

7.2.2 Detailed Design Procedure

[Section 7.2](#) shows a typical application circuit of the DS90UB953A-Q1. The next sections highlight recommendations for the critical device pins.

7.2.2.1 CSI-2 Interface

The CSI-2 input port on the DS90UB953A-Q1 is compliant with the MIPI D-PHY v1.2 and CSI-2 v1.3 specifications. The CSI-2 interface consists of a clock and an option of one, two, or four data lanes. The clock and each of the data lanes are differential lines. The DS90UB953A-Q1 CSI-2 input must be DC-coupled to a compatible CSI-2 transmitter. Follow the PCB layout guidelines given in [Section 7.4.1.1](#).

7.2.2.2 FPD-Link III Input / Output

The DS90UB953A-Q1 serial data out signal operates at different data rates depending upon the mode in which the device is operating. In synchronous mode, where the reference clock is provided by the deserializer, the serial data rate is up to 4.16 Gbps.

The signals at DOUT+ and DOUT– must be AC-coupled. The AC-coupling capacitor values used on DOUT+ and DOUT– depends on the mode and cable used as shown in [Table 7-3](#). When connecting to a coax cable, the AC-coupling capacitor on the negative terminal (DOUT–) should be approximately $\frac{1}{2}$ of the AC-coupling capacitor value on DOUT+ and be terminated to a 50Ω load. Make sure to follow the critical PCB layout guidelines given in [Section 7.4.2](#).

7.2.2.3 Internal Regulator Bypassing

The DS90UB953A-Q1 features three internal regulators that must be bypassed to GND. The VDDD_CAP, VDDDRV_CAP, and VDDPLL_CAP are the pins that expose the outputs of the internal regulators for bypassing. TI recommends that each pin has a 10μF, 0.1μF, and a 0.01μF capacitor to GND. The 0.01μF caps must be placed as close as practical to the bypass pins.

7.2.2.4 Loop Filter Decoupling

The LPF1 and LPF2 pins are for connecting filter capacitors to the internal PLL circuits. LPF1 must have a 0.022μF capacitor connected to the VDD_PLL pin (pin 11). The capacitor connected between LPF1 and VDDPLL must enclose as small of a loop as possible. LPF2 must have a 0.1μF capacitor connecting the pin to GND. One of these PLLs generates the high-speed clock used in the serialization of the output, while the other PLL is used in the CSI-2 receive port. Noise coupled into these pins degrades the performance of the PLLs in the DS90UB953A-Q1, so the caps must be placed close to the pins they are connected to, and the area of the loop enclosed must be minimized.

7.2.3 Application Curve

The falling edge of the blue trace indicates that the device should shift from LP to HS mode – the rise that comes about one division later is when the DS90UB953A-Q1 turns on the internal termination so the device is ready to receive HS data. The transitions are the CSI-2 data, and then the drop of the blue trace indicates that the termination has been turned off.

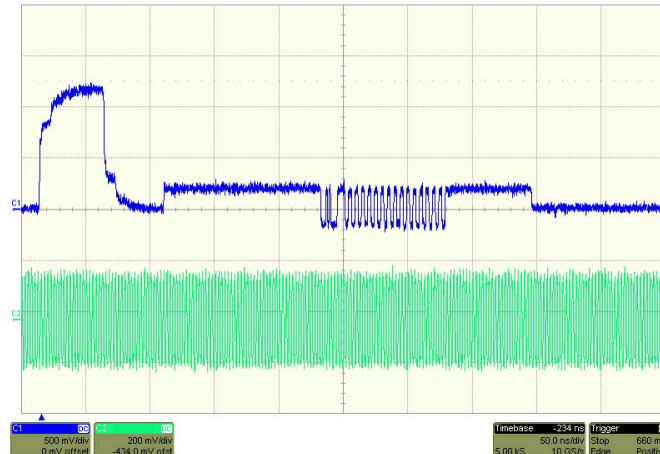


Figure 7-7. CSI-2 LP to HS Mode Transition

7.3 Power Supply Recommendations

This device provides separate power and ground pins for different portions of the circuit. This is done to isolate switching noise effects between different sections of the circuit. Separate planes on the PCB are typically not required. The [Pin Configuration and Functions](#) section provides guidance on which circuit blocks are connected to which power pin pairs. In some cases, an external filter may be used to provide clean power to sensitive circuits such as PLLs.

7.3.1 Power-Up Sequencing

The power-up sequence for the DS90UB953A-Q1 is as follows:

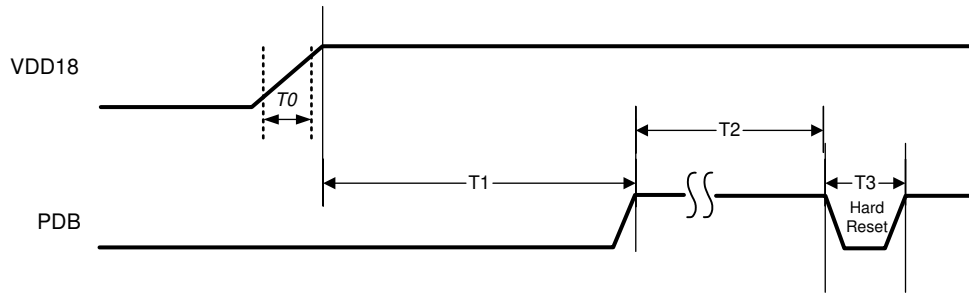


Figure 7-8. Power Supply Sequencing

Table 7-4. Timing Diagram for the Power Supply Start-Up and Initialization Sequences

| PARAMETER | MIN | TYP | MAX | UNIT | NOTES |
|-----------|-------------------------------------|------|-----|------|--|
| T0 | VDD18 rise time | 0.05 | | ms | at 10/90% |
| T1 | VDD18 to PDB | 0 | | ms | After VDD18 is stable |
| T2 | PDB high time before PDB hard reset | 1 | | ms | |
| T3 | PDB high to low pulse width | 3 | | ms | Hard reset (optional) |
| T4 | PDB to I2C Ready | 2 | | ms | See Initialization Sequence: Synchronous Clocking Mode |

7.3.1.1 System Initialization

When initializing the communications link between a deserializer hub and a DS90UB953A-Q1 serializer, the system timing depends on the mode selected for generating the serializer reference clock. When synchronous clocking mode is selected, the serializer relocks onto the extracted back channel reference clock when available, so there is no need for local crystal oscillator at the sensor module. The initialization sequence follows the illustration given in the Initialization Sequence: Synchronous Clocking Mode.

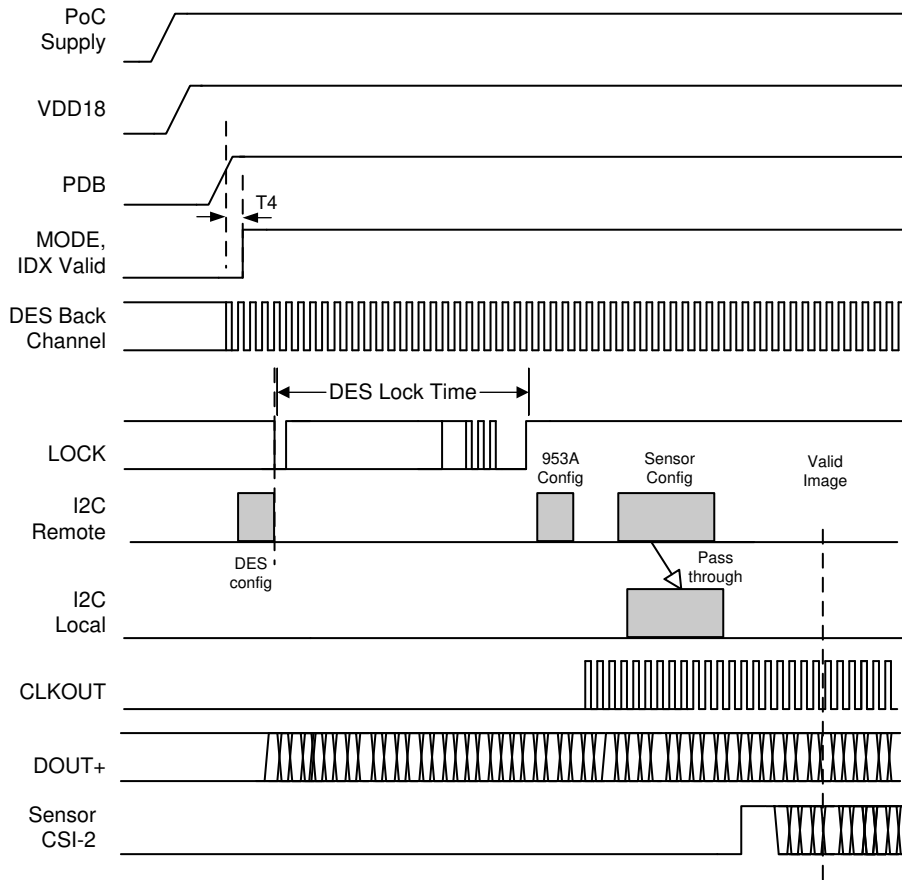


Figure 7-9. Initialization Sequence: Synchronous Clocking Mode

To allow for a quicker system bringup time, TI recommends programming the I2C watchdog timer speedup (0x0A = 0x12), before trying to access remote I2C target devices attached to the SER through the back channel from the deserializer. This provides a faster remote sensor access time even if the serializer I2C bus experiences unexpected noise during power up of the sensor module.

Software configuration to extend the temperature ramp down range of the DS90UB953A-Q1 serializer based on the device's initial temperature is recommended for continuous PLL lock. The range for decreasing temperatures from startup temperature differ for temperatures above 10°C and below 10°C. Starting temperatures from 10°C to 105°C 125°C have a minimum ending temperature of -10°C to maintain continuous PLL lock with the software configuration applied. Starting temperatures below 10°C have maximum temperature decrease of 20°C from starting temperature.

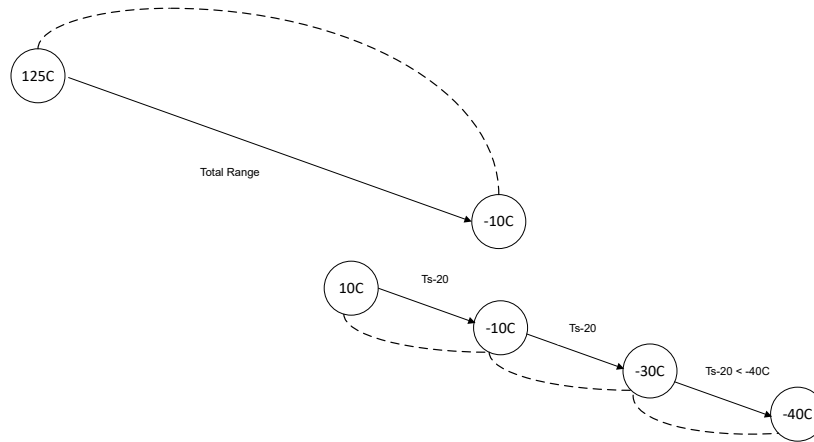


Figure 7-10. Temperature Ramp Down Range

Register configurations consist of a dynamic configuration, static configuration, and an override to enable settings. During initialization, Analog register 0x4C[6:4] TEMP_RAMP_STATIC_CFG is recommended to be set to 0x7. Values of Analog register 0x4B TEMP_RAMP_DYNAMIC_CFG vary across initializations. The offset value is recommended to decrement or increment the read back value of TEMP_RAMP_DYNAMIC_CFG in correlation to die temperature. Serializer temperature is reported in SENSOR_STS_2[2:0] of the pairing deserializer. Offset values by temperature are referenced in [Table 7-5](#). To apply the software configuration, TEMP_RAMP_DYNAMIC_CFG[5] is set to 0x1.

Table 7-5. Dynamic Configuration Offset by Die Temperature

| Deserializer 0x53 SENSOR_STS_2 [2:0] | Starting Die Temperature (°C) | Dynamic configuration offset value |
|--------------------------------------|-------------------------------|------------------------------------|
| 0 | $T < -30$ | -1 |
| 1 | $-30 < T < -10$ | -1 |
| 2 | $-10 < T < 15$ | 0 |
| 3 | $15 < T < 35$ | 0 |
| 4 | $35 < T < 55$ | 1 |
| 5 | $55 < T < 75$ | 1 |
| 6 | $75 < T < 100$ | 1 |
| 7 | $T > 100$ | 3 |

7.3.1.1.1 Code Example for Temperature Ramp Initialization

```
# Deserializer Settings
desAddr=0x7a
serAlias=0x1A
# Deserializer configuration for I2C passthrough
# Refer to Deserializer datasheet for I2C passthrough configuration
reg_0x58 = board.ReadI2C(desAddr,0x58)
reg_0x58 = reg_0x58 | 0x40
# Enable I2C Passthrough
board.WriteI2C(desAddr,0x58,reg_0x58)
temp_code = board.ReadI2C(desAddr,0x53)
# DS90UB953A-Q1 Settings
board.WriteI2C(serAlias,0xB0,0x04)
board.WriteI2C(serAlias,0xB1,0x4B)
dynamic_config_ori = board.ReadI2C(serAlias,0xB2)
temp_ramp_dynamic_config= dynamic_config_ori | 0x20
board.WriteI2C(serAlias,0xB1,0x4C)
temp_ramp_static_config=board.ReadI2C(serAlias,0xB2)
temp_ramp_static_config=(temp_ramp_static_config & 0x8F) | 0x70
board.WriteI2C(serAlias,0xB2, temp_ramp_static_config)
board.WriteI2C(serAlias,0xB1,0x4B)
dynamic_offset= { 0: -1,
                  1: -1,
                  2: 0,
                  3: 0,
                  4: 1,
                  5: 1,
                  6: 1,
                  7: 3}
board.WriteI2C(serAlias,0xB2,temp_ramp_dynamic_config + dynamic_offset[temp_code])
reg_0x58 = reg_0x58 | 0x20 # Enable all auto ACK I2C Passthrough on deserializer
board.WriteI2C(desAddr,0x58,reg_0x58)
board.WriteI2C(serAddr,0x01,0x01) #Soft Reset to apply serializer updates, reinitialization of lock
# wait for deserializer lock time
```

7.3.2 Power Down (PDB)

The Serializer has a PDB input pin to ENABLE or POWER DOWN the device. This pin can be controlled by an external device, or through VDD where VDD = 1.71V to 1.89V. PDB can be brought high after all power supplies on the board have stabilized.

When PDB is driven low, make sure that the pin is driven to 0V for at least 3ms before releasing or driving high. In the case where PDB is pulled up to VDD directly, a 10kΩ pullup resistor and a > 10μF capacitor to ground are required.

toggling PDB low powers down the device and resets all control registers to default. After power up, if there are any errors seen, TI recommends clearing the registers to reset the errors.

Make sure to power up the VDDDRV before or at the same time as the VDDPLL.

7.4 Layout

7.4.1 Layout Guidelines

Circuit board layout and stack-up for the FPD-Link III devices must be designed to provide low-noise power feed to the device. Good layout practice also separates high-frequency or high-level inputs and outputs to minimize unwanted stray noise pickup, feedback, and interference. External bypassing must be low-ESR ceramic capacitors with high-quality dielectric. The voltage rating of the ceramic capacitors must be at least 2× the power supply voltage being used.

TI recommends surface-mount capacitors due to the smaller parasitics. When using multiple capacitors per supply pin, place the smaller value closest to the pin. A large bulk capacitor is recommended at the point of power entry. This is typically in the 47 μ F to 100 μ F range, which smooths low-frequency switching noise. TI recommends connecting power and ground pins directly to the power and ground planes with bypass capacitors connected to the plane. TI also recommends that the user place a via on both ends of the capacitors. Connecting power or ground pins to an external bypass capacitor increases the inductance of the path.

A small body size X7R chip capacitor, such as 0603 or 0402, is recommended for external bypass. The small body size reduces the parasitic inductance of the capacitor. The user must pay attention to the resonance frequency of these external bypass capacitors, usually in the range of 20 to 30MHz. To provide effective bypassing, multiple capacitors are often used to achieve low impedance between the supply rails over the frequency of interest. At high frequency, use two vias from power and ground pins to the planes, reducing the impedance at high frequency.

Some devices provide separate power and ground pins for different portions of the circuit. This is done to isolate switching noise effects between different sections of the circuit. Separate planes on the PCB are typically not required. Pin description tables typically provide guidance on which circuit blocks are connected to which power pin pairs (see [Pin Configuration and Functions](#) for more information). In some cases, an external filter can be used to provide clean power to sensitive circuits such as PLLs.

Use at least a four-layer board with a dedicated ground plane. Place CSI-2 signals away from the single-ended or differential FPD-Link III RX input traces to prevent coupling from the CSI-2 lines to the Rx input lines. A single-ended impedance of 50 Ω is typically recommended for coaxial interconnect, and a differential impedance of 100 Ω is typically recommended for STP interconnect. The closely coupled lines help to make sure that coupled noise appears as common-mode and thus is rejected by the receivers. The tightly coupled lines also radiate less.

7.4.1.1 CSI-2 Guidelines

1. Route CSI0_D*P/N pairs with controlled 100 Ω differential impedance (\pm 20%) or 50 Ω single-ended impedance (\pm 15%).
2. Keep away from other high-speed signals.
3. Keep the length difference between a differential pair to 5 mils of each other.
4. Make sure that length matching is near the location of mismatch.
5. Match trace lengths between the clock pair and each data pair to be < 25 mils.
6. Separate each pair by at least 3 times the signal trace width.
7. Keep the use of bends in differential traces to a minimum. When bends are used, the number of left and right bends must be as equal as possible, and the angle of the bend must be \geq 135 degrees. This arrangement minimizes any length mismatch caused by the bends and therefore minimizes the impact that bends have on EMI.
8. Route all differential pairs on the same layer to help match trace impedance characteristics.
9. Keep the number of VIAS to a minimum—TI recommends keeping the VIA count to two or fewer.
10. Keep traces on layers adjacent to ground plane.
11. Do NOT route differential pairs over any plane split.

Note

Adding test points can cause impedance discontinuity and therefore negatively impacts signal performance. If test points are used, place them in series and symmetrically. Test points must not be placed in a manner that causes a stub on the differential pair.

7.4.2 Layout Examples

The board layout for the DS90UB953A-Q1EVM is shown in [Figure 7-11](#) and [Figure 7-12](#). All EVM layers are included in [DS90UB953-Q1EVM user's guide](#) (SNLU224). Note that the DS90UB953A-Q1 shares this user guide with other related products.

Routing the FPD-Link III signal traces between the DOUT pins and the connector, as well as connecting the PoC filter to these traces, are the most critical pieces of a successful DS90UB953A-Q1 PCB layout. The following list provides essential recommendations for routing the FPD-Link III signal traces between the driver output pins and the FAKRA connector, as well as connecting the PoC filter.

- The routing of the FPD-Link III traces can be all on the top layer or partially embedded in middle layers if EMI is a concern.
- The AC-coupling capacitors must be on the top layer and very close to the receiver input pins to minimize the length of coupled differential trace pair between the pins and the capacitors.
- Route the DOUT+ trace between the AC-coupling capacitor and the FAKRA connector as a 50Ω single-ended micro-strip with tight impedance control ($\pm 10\%$). Calculate the proper width of the trace for a 50Ω impedance based on the PCB stack-up. Make sure that the trace can carry the PoC current for the maximum load presented by the remote sensor module.
- The PoC filter can be connected to the DOUT+ trace through the ferrite bead or an RF inductor. The ferrite bead must be touching the high-speed trace to minimize the stub length seen by the transmission line. Create an anti-pad or a moat under the ferrite bead pad that touches the trace. The anti-pad must be a plane cutout of the ground plane directly underneath the top layer without cutting out the ground reference under the trace. The purpose of the anti-pad is to maintain the impedance as close to 50Ω as possible.
- When routing DOUT+ on inner layers, length matching for single-ended traces does not provide a significant benefit. If the user wants to route the DOUT+ on the top or bottom layer, route the DOUT– trace loosely coupled to the DOUT+ trace for the length similar to the DOUT+ trace length. This can help the differential nature of the receiver to cancel out any common-mode noise that can be present in the environment that can couple on to the signal traces.

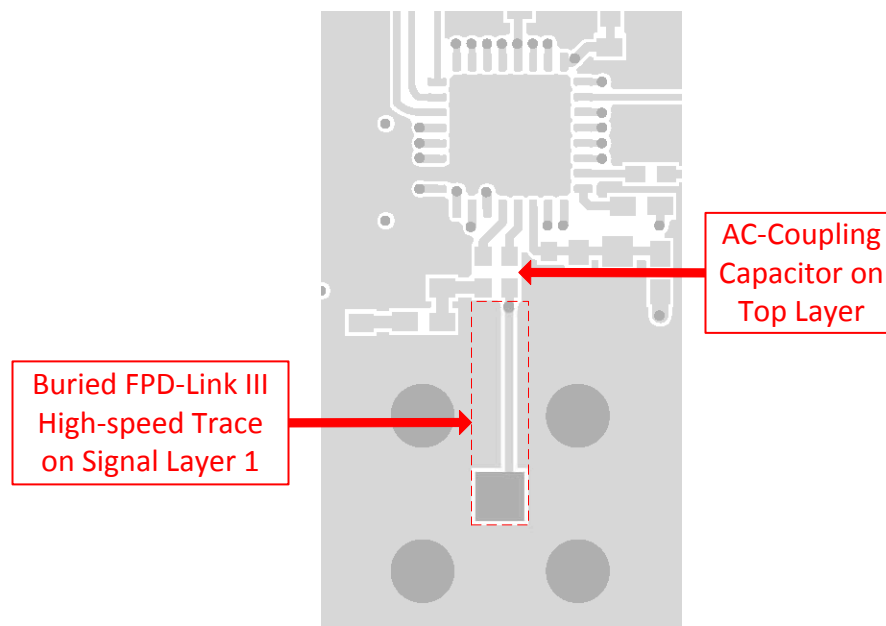


Figure 7-11. DS90UB953A-Q1 Serializer DOUT+ Trace Layout

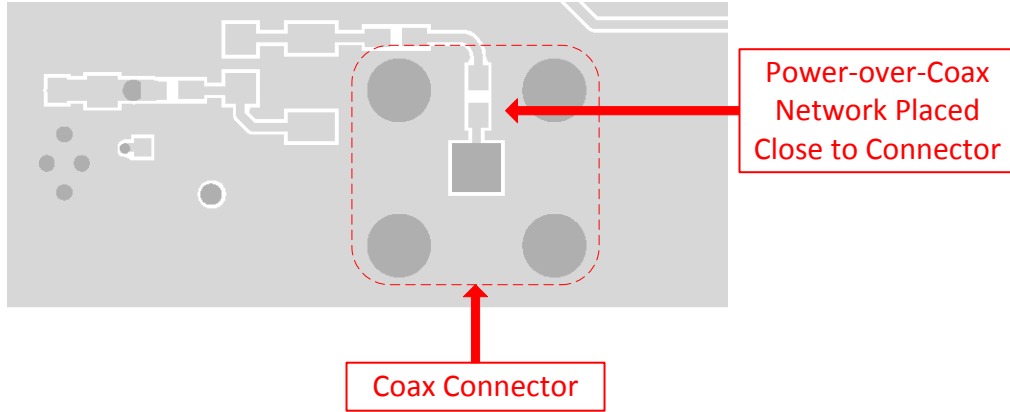


Figure 7-12. Power-over-Coax Layout

8 Device and Documentation Support

8.1 Documentation Support

8.1.1 Related Documentation

For related documentation see the following:

- [How to design a FPD-Link III system](#) (SNLA267)
- [I2C communication over FPD-Link III with bidirectional control channel](#) (SNLA131)
- [I2C bus pullup resistor calculation](#) (SLVA689)
- [FPD-Link learning center training material](#)
- [An EMC/EMI system-design and testing methodology for FPD-Link III SerDes](#) (SLYT719)
- [Ten tips for successfully designing with automotive EMC/EMI requirements](#) (SLYT636)
- [Backwards compatibility modes for operation with parallel output deserializers](#) (SNLA270)
- [Power-over-Coax design guidelines](#) (SNLA272)
- [AN-1108 Channel-link PCB and interconnect design-in guidelines](#) (SNLA008)
- [DS90UB953-Q1EVM user's guide](#) (SNLU224)

8.2 Receiving Notification of Documentation Updates

To receive notification of documentation updates, navigate to the device product folder on ti.com. In the upper right corner, click on *Alert me* to register and receive a weekly digest of any product information that has changed. For change details, review the revision history included in any revised document.

8.3 Support Resources

[TI E2E™ support forums](#) are an engineer's go-to source for fast, verified answers and design help — straight from the experts. Search existing answers or ask your own question to get the quick design help you need.

Linked content is provided "AS IS" by the respective contributors. They do not constitute TI specifications and do not necessarily reflect TI's views; see TI's [Terms of Use](#).

8.4 Trademarks

TI E2E™ is a trademark of Texas Instruments.

All trademarks are the property of their respective owners.

8.5 Electrostatic Discharge Caution



This integrated circuit can be damaged by ESD. Texas Instruments recommends that all integrated circuits be handled with appropriate precautions. Failure to observe proper handling and installation procedures can cause damage.

ESD damage can range from subtle performance degradation to complete device failure. Precision integrated circuits may be more susceptible to damage because very small parametric changes could cause the device not to meet its published specifications.

8.6 Glossary

[TI Glossary](#) This glossary lists and explains terms, acronyms, and definitions.

9 Revision History

| Changes from Revision B (March 2023) to Revision C (April 2024) | Page |
|--|------|
| • Added reference to "I2C Bus Pullup Resistor Calculation" Application Note to I2C_SCL and I2C_SDA pin description | 3 |
| • Added specifications for ending temperature when ambient temperature is decreasing from start up..... | 6 |
| • Added table for deserializer SENSOR_STS_x bit description..... | 16 |
| • Denoted CSI-2 rate must meet the limitations shown in Clocking Modes table..... | 23 |
| • Clarified PGEN_LINE_PD is calculated based on frame rate, total lines per frame, and forward channel rate..... | 30 |
| • Updated register map to remove registers previously marked as reserved..... | 32 |

| | |
|--|----|
| • Published Analog registers 0x4B and 0x4C..... | 54 |
| • Updated Typical PoC Network example to include reference to Design Parameters Table | 66 |
| • Changed Typical Applications diagram for Coax and STP to reference Rpu | 69 |
| • Added information describing serializer system initialization for continuous PLL lock | 73 |
| • Added initialization sequence example for continuous PLL lock during serializer temperature ramp | 76 |

Changes from Revision A (September 2020) to Revision B (March 2023)

Page

| | |
|---|----|
| • Typical power consumption bullet on front page updated to match electrical characteristics table..... | 1 |
| • Added note for supply noise frequency range..... | 6 |
| • Changed I2C terminology to "Controller" and "Target"..... | 13 |
| • Removed extra arrow from DPHY Receiver to Clock Gen blocks in Functional Block Diagram..... | 13 |
| • Added description for non-continuous clock lane mode..... | 14 |
| • Added description for deserializer SENSOR_STS registers..... | 16 |
| • Updated script example for voltage monitoring..... | 19 |
| • Updated description for reading GPIO status when set as output and added GPIO Configuration table..... | 20 |
| • Added information for enabling Forward Channel GPIO using FC_GPIO_EN..... | 20 |
| • Updated GPIO Output Control section description for enabling register 0x0E..... | 21 |
| • Added typical latency to Forward Channel GPIO table..... | 21 |
| • Updated Clocking Mode table with additional modes, frequency clarifications, and CSI-2 bandwidth clarifications..... | 21 |
| • Corrected effect of setting M value in register 0x06 | 34 |
| • Updated description to refer to "DVP_DT_MATCH_EN" in register 0x11. | 37 |
| • Changed 0x17[7:4] default value from 0x0 to 0x3..... | 38 |
| • Added max and min readings to Voltage Sensor Thresholds description in Register 0x19 | 38 |
| • Updated SENSOR_V1_THRESH description to match SENSOR_V0_THRESH in register 0x1A..... | 39 |
| • Changed "GPIO0 Sensor" to "Internal Temperature Sensor" in register 0x57..... | 49 |
| • Changed "FPD3_RX_ID" to "FPD3_TX_ID" in registers 0xF0-0xF5..... | 52 |
| • Changed PoC network impedance recommendation from 2kΩ to 1kΩ..... | 66 |
| • Updated PoC description..... | 66 |
| • Removed IL and RL values from Suggested Characteristics for Single-Ended PCB Traces With Attached PoC Networks Table..... | 66 |
| • Changed FB1-FB3 requirement to DCR < 500mΩ..... | 69 |
| • Added note for setting watchdog timer for system initialization..... | 73 |
| • Corrected PDB capacitor from 1μF to 10μF..... | 76 |

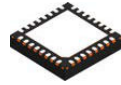
Changes from Revision * (September 2019) to Revision A (September 2020)

Page

| | |
|---|---|
| • Added feature bullet Functional Safety Capable..... | 1 |
|---|---|

10 Mechanical, Packaging, and Orderable Information

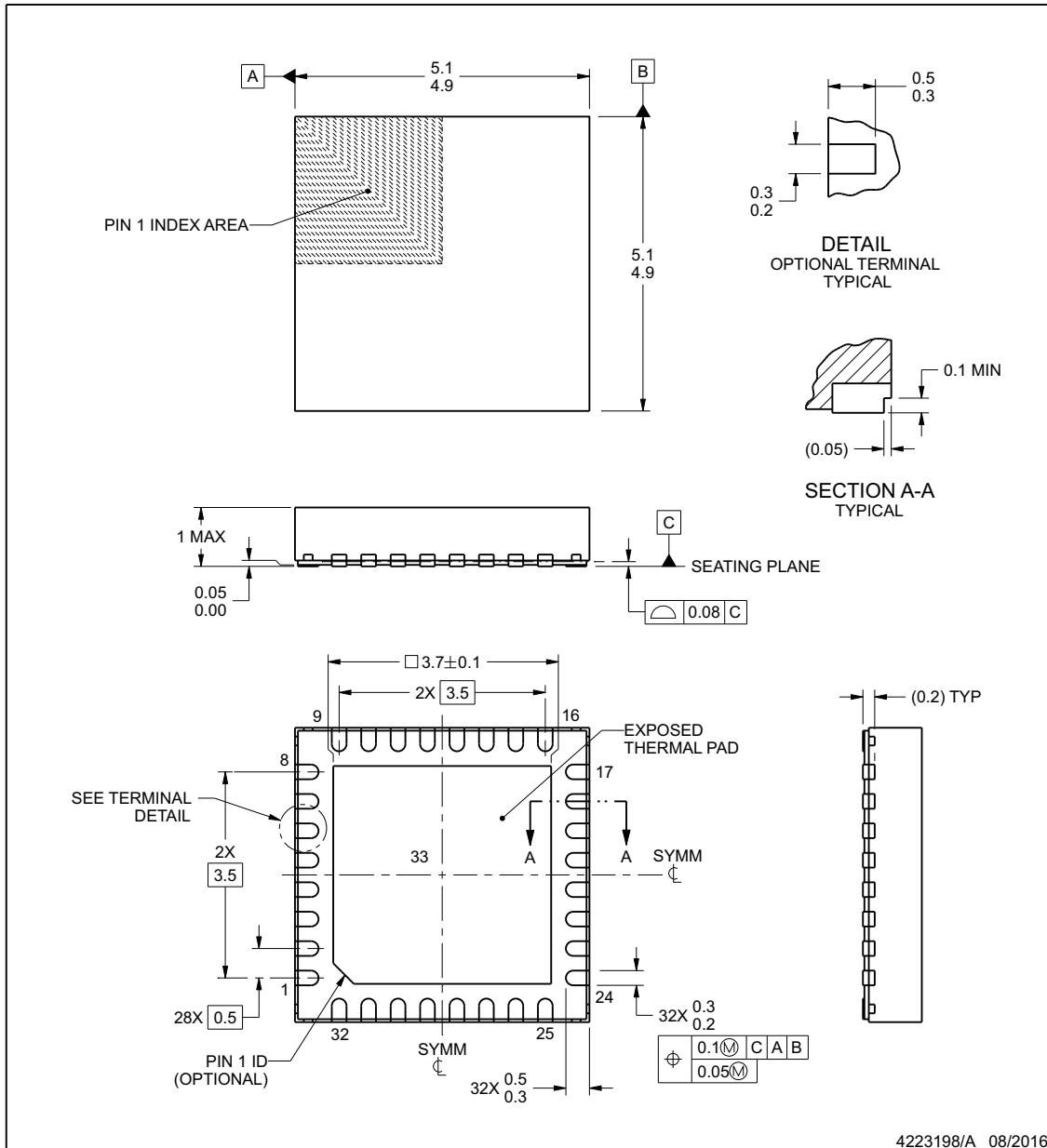
The following pages include mechanical, packaging, and orderable information. This information is the most current data available for the designated devices. This data is subject to change without notice and revision of this document. For browser-based versions of this data sheet, refer to the left-hand navigation.



RHB0032P

PACKAGE OUTLINE
VQFN - 1 mm max height

PLASTIC QUAD FLATPACK - NO LEAD



4223198/A 08/2016

NOTES:

1. All linear dimensions are in millimeters. Any dimensions in parenthesis are for reference only. Dimensioning and tolerancing per ASME Y14.5M.
2. This drawing is subject to change without notice.
3. The package thermal pad must be soldered to the printed circuit board for thermal and mechanical performance.

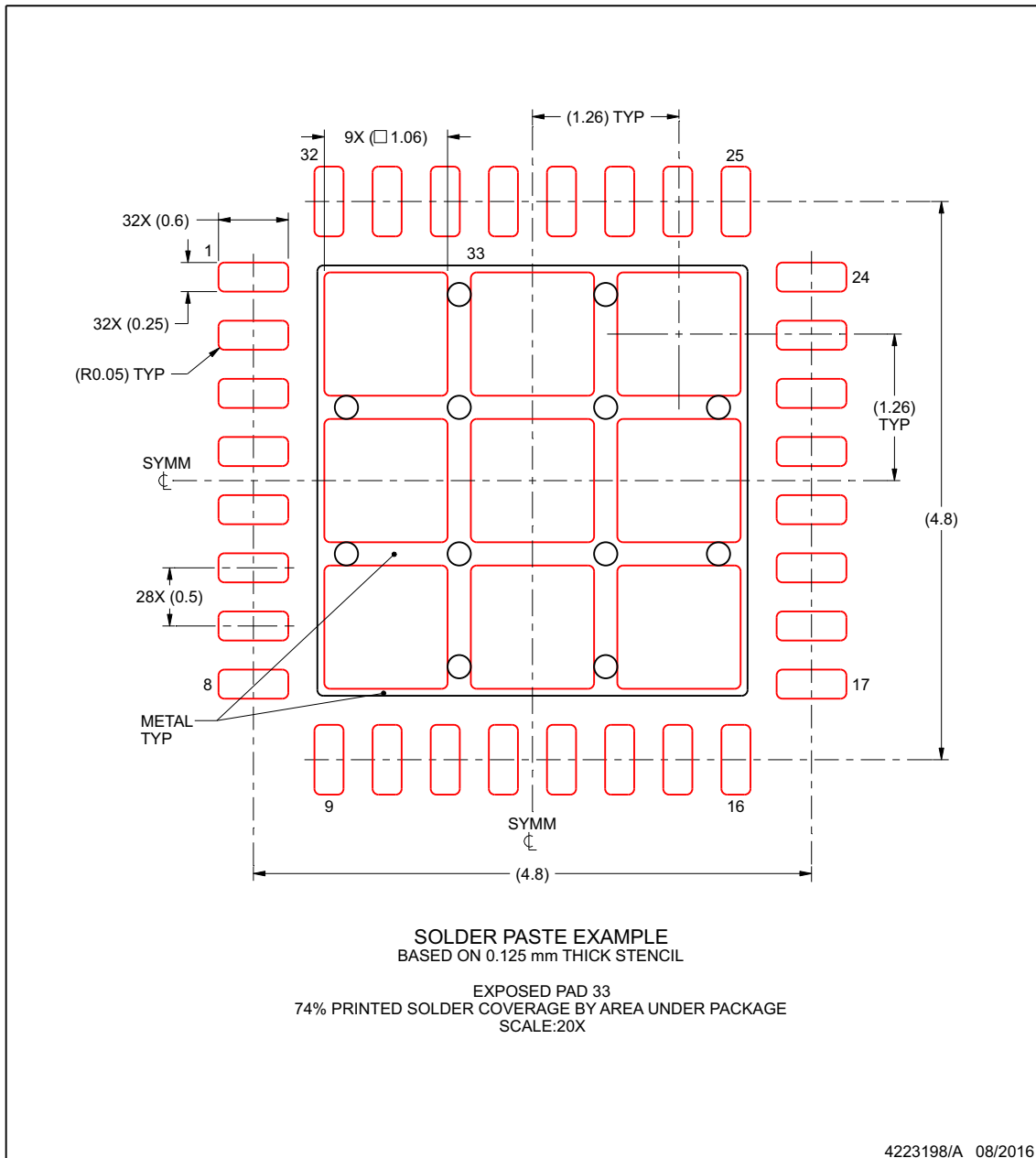
www.ti.com

EXAMPLE STENCIL DESIGN

RHB0032P

VQFN - 1 mm max height

PLASTIC QUAD FLATPACK - NO LEAD



NOTES: (continued)

6. Laser cutting apertures with trapezoidal walls and rounded corners may offer better paste release. IPC-7525 may have alternate design recommendations.

www.ti.com

PACKAGING INFORMATION

| Orderable part number | Status (1) | Material type (2) | Package Pins | Package qty Carrier | RoHS (3) | Lead finish/ Ball material (4) | MSL rating/ Peak reflow (5) | Op temp (°C) | Part marking (6) |
|-----------------------------------|---------------|----------------------|-----------------|-----------------------|-------------|--------------------------------------|-----------------------------------|--------------|---------------------|
| DS90UB953ATRHRBQ1 | Active | Production | VQFN (RHB) 32 | 3000 LARGE T&R | Yes | Call TI Sn Nipdau | Level-3-260C-168 HR | -40 to 125 | UB953A |
| DS90UB953ATRHRBQ1.A | Active | Production | VQFN (RHB) 32 | 3000 LARGE T&R | Yes | Call TI | Level-3-260C-168 HR | -40 to 125 | UB953A |
| DS90UB953ATRHBQ1 | Active | Production | VQFN (RHB) 32 | 250 SMALL T&R | Yes | NIPDAU SN | Level-3-260C-168 HR | -40 to 125 | UB953A |
| DS90UB953ATRHBQ1.A | Active | Production | VQFN (RHB) 32 | 250 SMALL T&R | Yes | NIPDAU | Level-3-260C-168 HR | -40 to 125 | UB953A |

(1) **Status:** For more details on status, see our [product life cycle](#).

(2) **Material type:** When designated, preproduction parts are prototypes/experimental devices, and are not yet approved or released for full production. Testing and final process, including without limitation quality assurance, reliability performance testing, and/or process qualification, may not yet be complete, and this item is subject to further changes or possible discontinuation. If available for ordering, purchases will be subject to an additional waiver at checkout, and are intended for early internal evaluation purposes only. These items are sold without warranties of any kind.

(3) **RoHS values:** Yes, No, RoHS Exempt. See the [TI RoHS Statement](#) for additional information and value definition.

(4) **Lead finish/Ball material:** Parts may have multiple material finish options. Finish options are separated by a vertical ruled line. Lead finish/Ball material values may wrap to two lines if the finish value exceeds the maximum column width.

(5) **MSL rating/Peak reflow:** The moisture sensitivity level ratings and peak solder (reflow) temperatures. In the event that a part has multiple moisture sensitivity ratings, only the lowest level per JEDEC standards is shown. Refer to the shipping label for the actual reflow temperature that will be used to mount the part to the printed circuit board.

(6) **Part marking:** There may be an additional marking, which relates to the logo, the lot trace code information, or the environmental category of the part.

Multiple part markings will be inside parentheses. Only one part marking contained in parentheses and separated by a "-" will appear on a part. If a line is indented then it is a continuation of the previous line and the two combined represent the entire part marking for that device.

Important Information and Disclaimer: The information provided on this page represents TI's knowledge and belief as of the date that it is provided. TI bases its knowledge and belief on information provided by third parties, and makes no representation or warranty as to the accuracy of such information. Efforts are underway to better integrate information from third parties. TI has taken and continues to take reasonable steps to provide representative and accurate information but may not have conducted destructive testing or chemical analysis on incoming materials and chemicals. TI and TI suppliers consider certain information to be proprietary, and thus CAS numbers and other limited information may not be available for release.

In no event shall TI's liability arising out of such information exceed the total purchase price of the TI part(s) at issue in this document sold by TI to Customer on an annual basis.

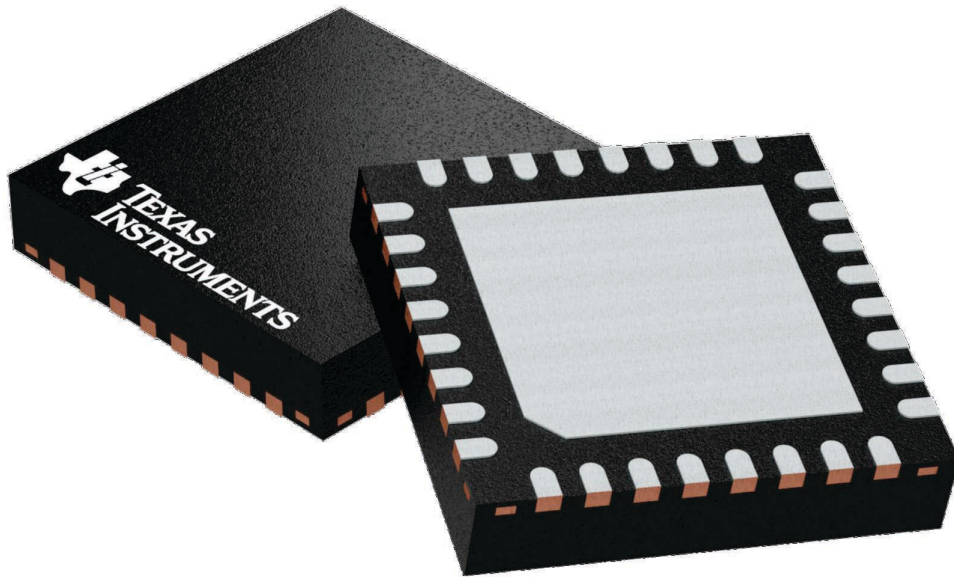
GENERIC PACKAGE VIEW

RHB 32

VQFN - 1 mm max height

5 x 5, 0.5 mm pitch

PLASTIC QUAD FLATPACK - NO LEAD



Images above are just a representation of the package family, actual package may vary.
Refer to the product data sheet for package details.

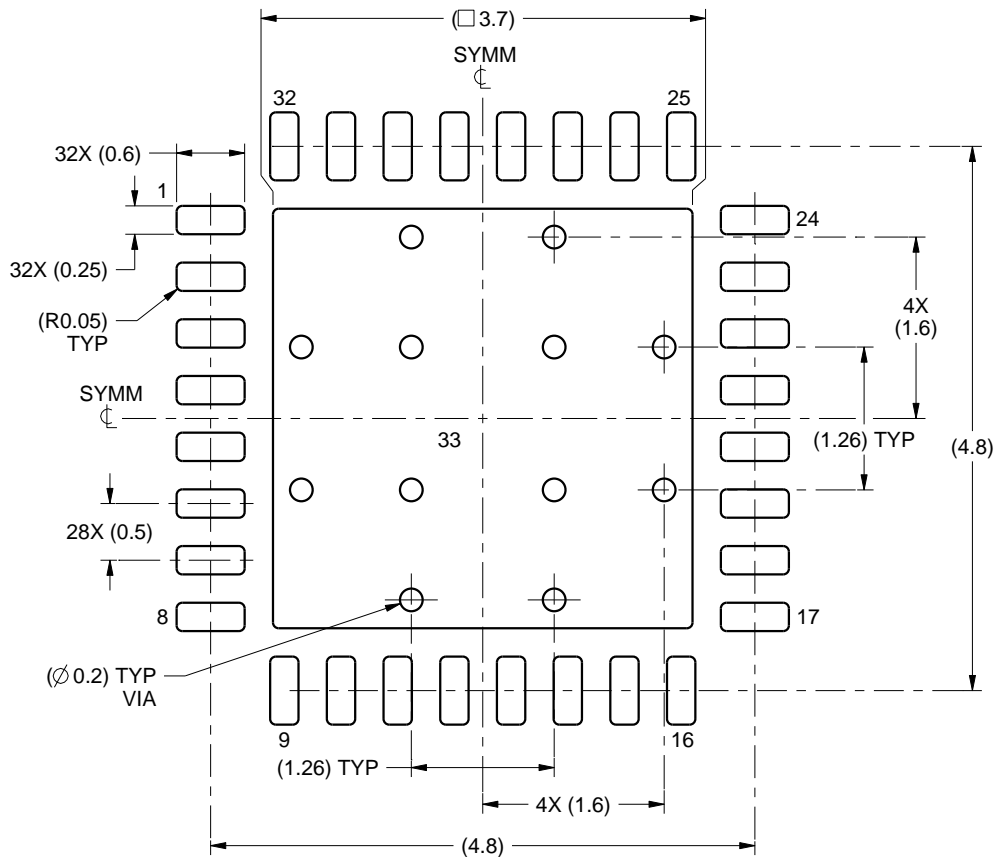
4224745/A

EXAMPLE BOARD LAYOUT

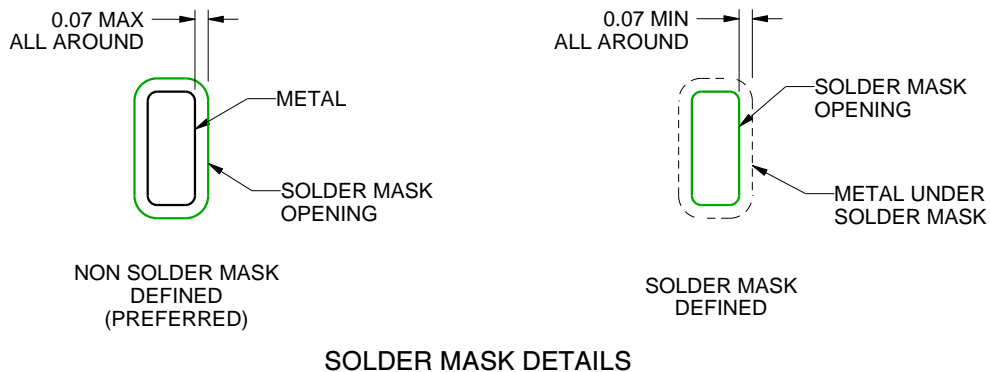
RHB0032P

VQFN - 1 mm max height

PLASTIC QUAD FLATPACK - NO LEAD



LAND PATTERN EXAMPLE
SCALE:15X



SOLDER MASK DETAILS

4223198/A 08/2016

NOTES: (continued)

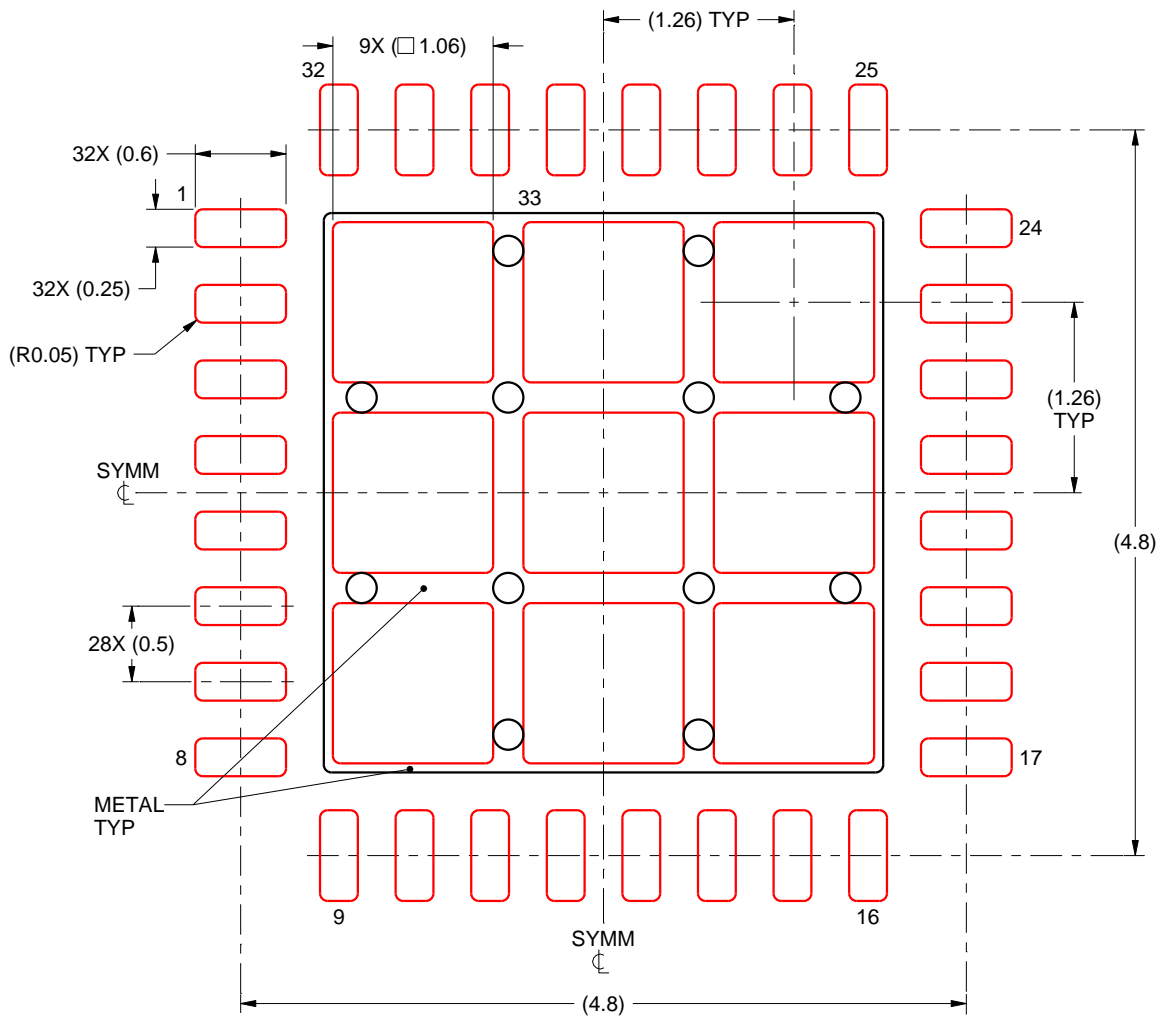
- This package is designed to be soldered to a thermal pad on the board. For more information, see Texas Instruments literature number SLUA271 (www.ti.com/lit/sluea271).
- Vias are optional depending on application, refer to device data sheet. If any vias are implemented, refer to their locations shown on this view. It is recommended that vias under paste be filled, plugged or tented.

EXAMPLE STENCIL DESIGN

RHB0032P

VQFN - 1 mm max height

PLASTIC QUAD FLATPACK - NO LEAD



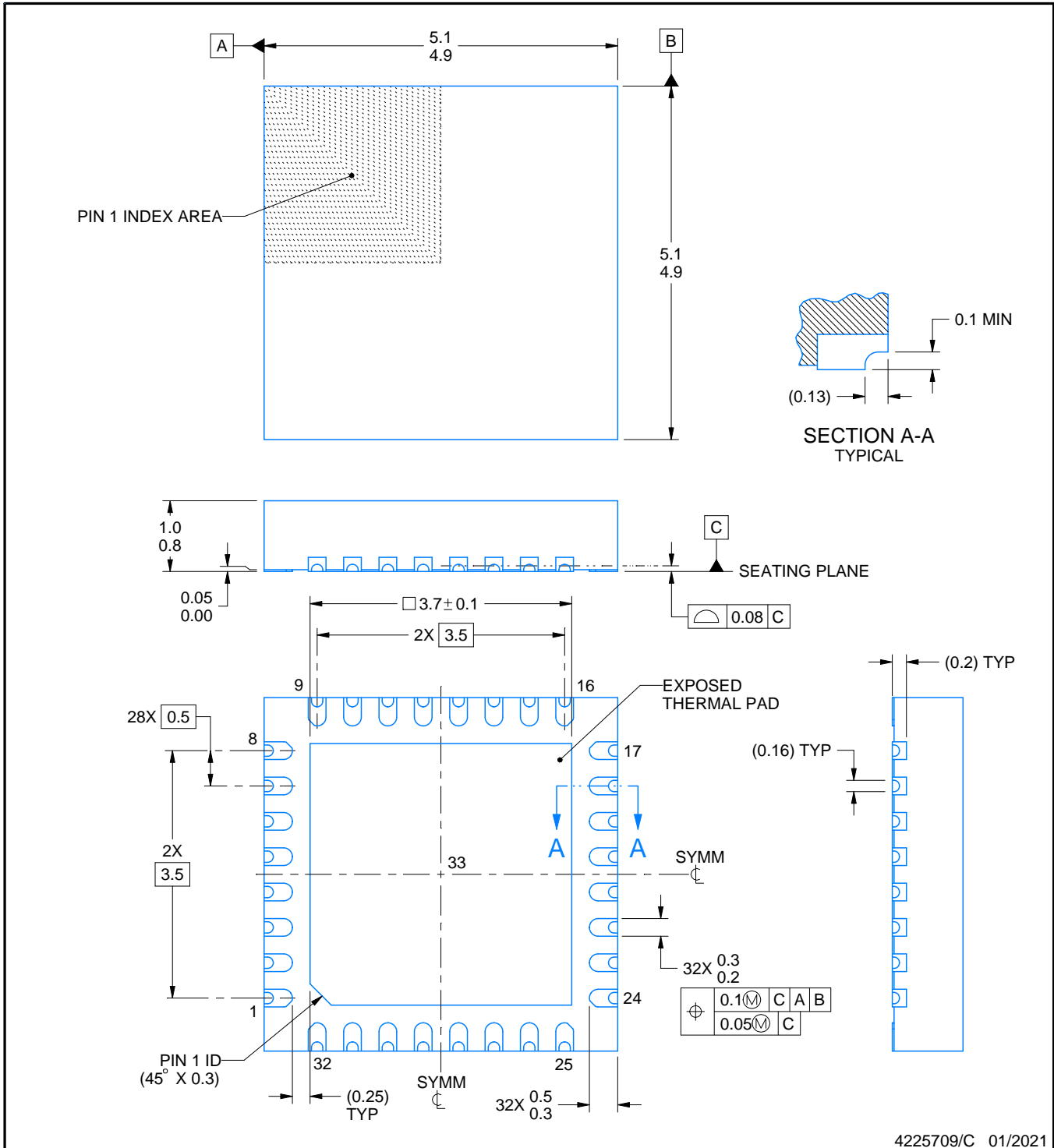
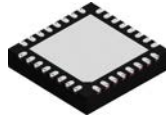
SOLDER PASTE EXAMPLE
BASED ON 0.125 mm THICK STENCIL

EXPOSED PAD 33
74% PRINTED SOLDER COVERAGE BY AREA UNDER PACKAGE
SCALE:20X

4223198/A 08/2016

NOTES: (continued)

6. Laser cutting apertures with trapezoidal walls and rounded corners may offer better paste release. IPC-7525 may have alternate design recommendations.



4225709/C 01/2021

NOTES:

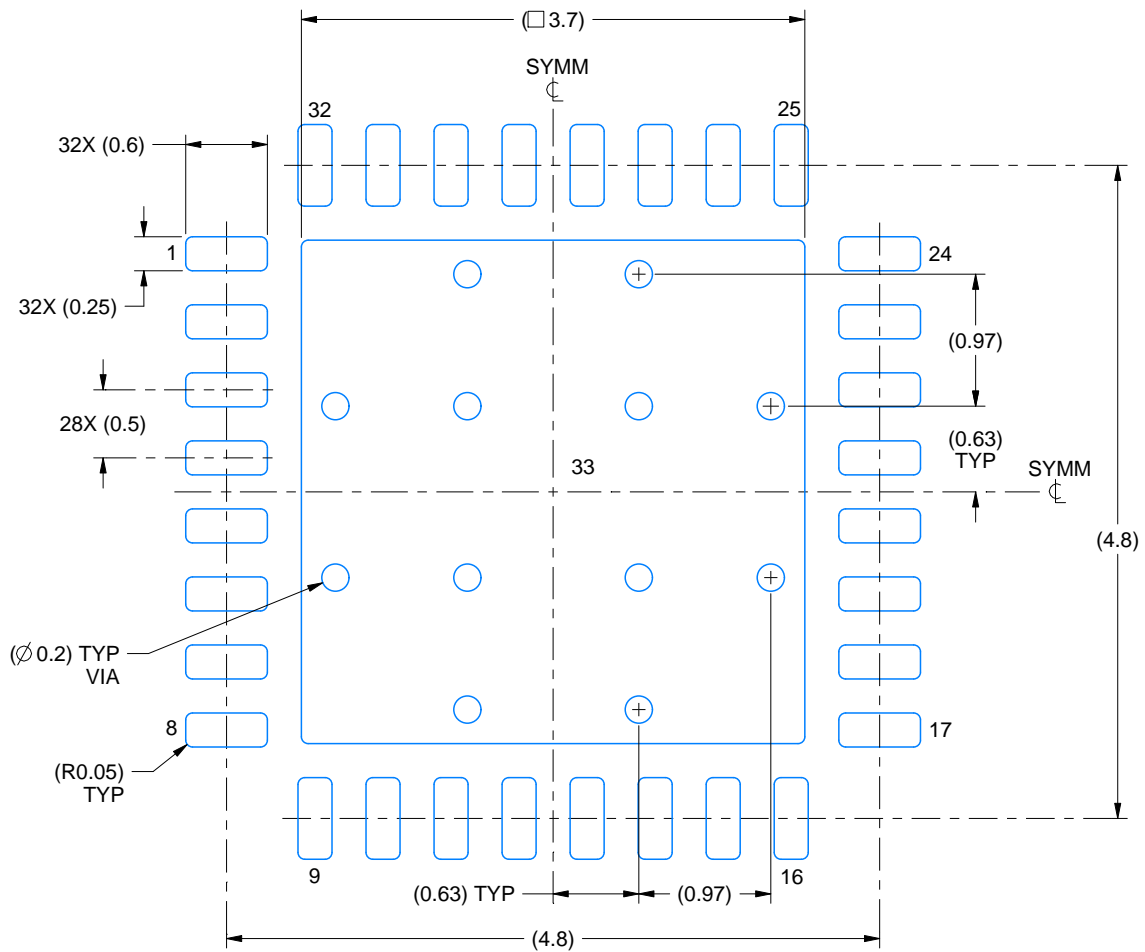
1. All linear dimensions are in millimeters. Any dimensions in parenthesis are for reference only. Dimensioning and tolerancing per ASME Y14.5M.
2. This drawing is subject to change without notice.
3. The package thermal pad must be soldered to the printed circuit board for thermal and mechanical performance.

EXAMPLE BOARD LAYOUT

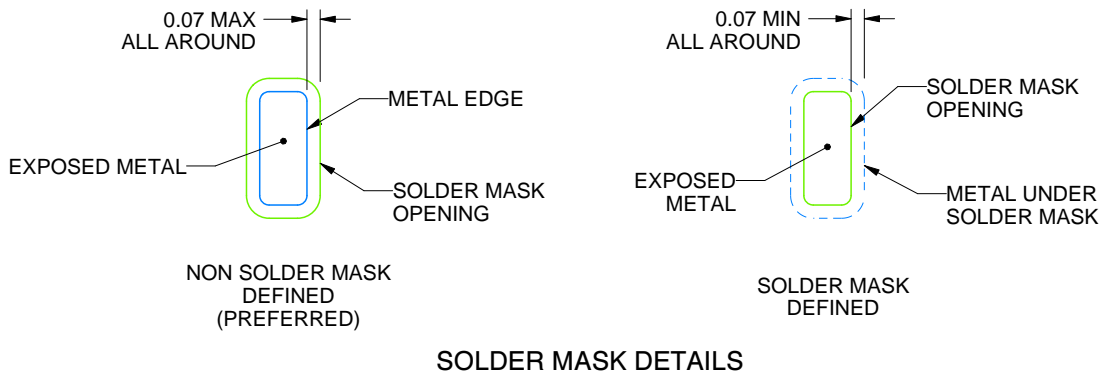
RHB0032U

VQFN - 1 mm max height

PLASTIC QUAD FLATPACK - NO LEAD



LAND PATTERN EXAMPLE
EXPOSED METAL SHOWN
SCALE:18X



SOLDER MASK DETAILS

4225709/C 01/2021

NOTES: (continued)

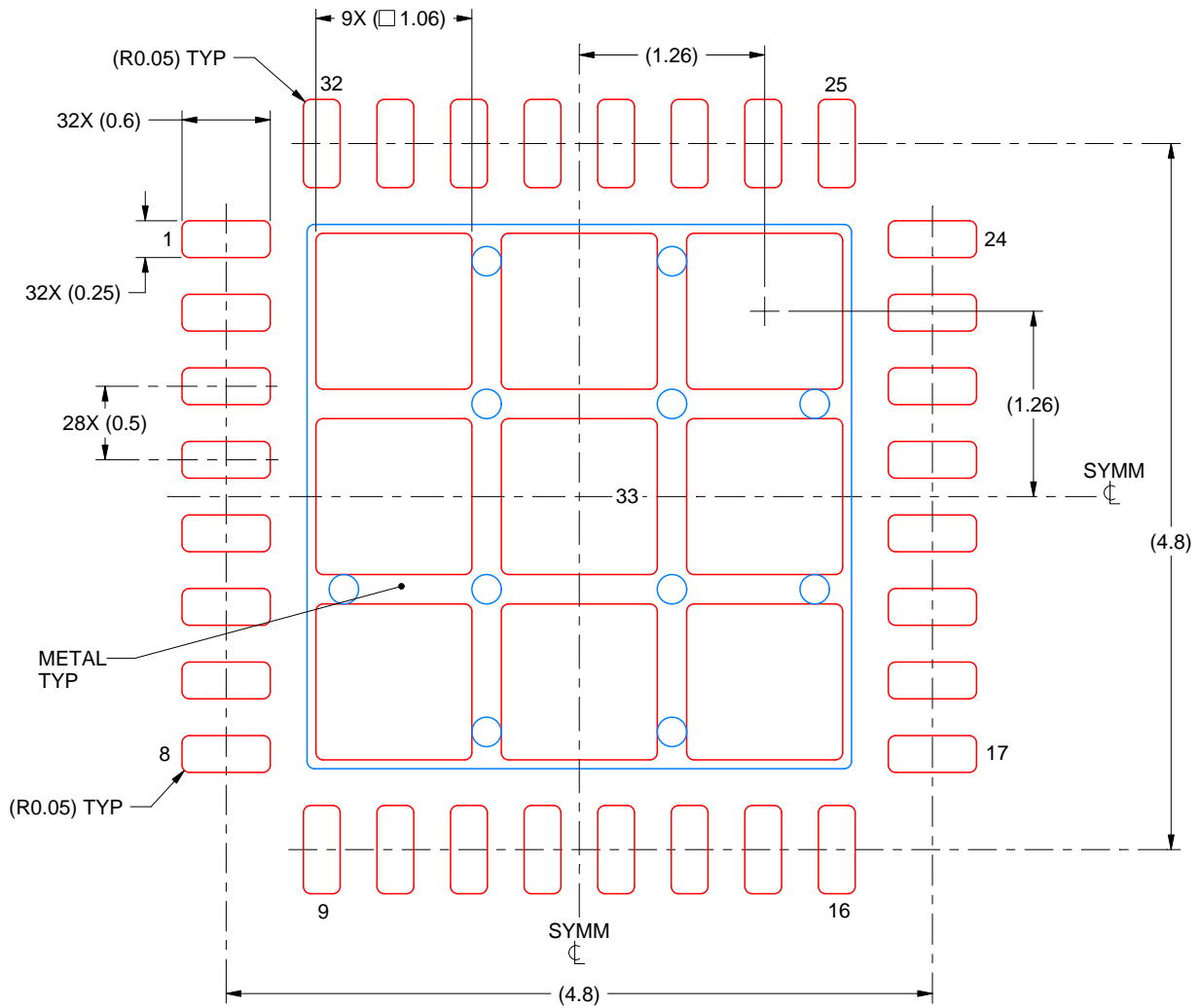
- This package is designed to be soldered to a thermal pad on the board. For more information, see Texas Instruments literature number SLUA271 (www.ti.com/lit/slua271).
- Vias are optional depending on application, refer to device data sheet. If any vias are implemented, refer to their locations shown on this view. It is recommended that vias under paste be filled, plugged or tented.

EXAMPLE STENCIL DESIGN

RHB0032U

VQFN - 1 mm max height

PLASTIC QUAD FLATPACK - NO LEAD



SOLDER PASTE EXAMPLE
 BASED ON 0.125 mm THICK STENCIL

EXPOSED PAD 33:
 74% PRINTED SOLDER COVERAGE BY AREA UNDER PACKAGE
 SCALE:20X

4225709/C 01/2021

NOTES: (continued)

6. Laser cutting apertures with trapezoidal walls and rounded corners may offer better paste release. IPC-7525 may have alternate design recommendations.

IMPORTANT NOTICE AND DISCLAIMER

TI PROVIDES TECHNICAL AND RELIABILITY DATA (INCLUDING DATASHEETS), DESIGN RESOURCES (INCLUDING REFERENCE DESIGNS), APPLICATION OR OTHER DESIGN ADVICE, WEB TOOLS, SAFETY INFORMATION, AND OTHER RESOURCES "AS IS" AND WITH ALL FAULTS, AND DISCLAIMS ALL WARRANTIES, EXPRESS AND IMPLIED, INCLUDING WITHOUT LIMITATION ANY IMPLIED WARRANTIES OF MERCHANTABILITY, FITNESS FOR A PARTICULAR PURPOSE OR NON-INFRINGEMENT OF THIRD PARTY INTELLECTUAL PROPERTY RIGHTS.

These resources are intended for skilled developers designing with TI products. You are solely responsible for (1) selecting the appropriate TI products for your application, (2) designing, validating and testing your application, and (3) ensuring your application meets applicable standards, and any other safety, security, regulatory or other requirements.

These resources are subject to change without notice. TI grants you permission to use these resources only for development of an application that uses the TI products described in the resource. Other reproduction and display of these resources is prohibited. No license is granted to any other TI intellectual property right or to any third party intellectual property right. TI disclaims responsibility for, and you fully indemnify TI and its representatives against any claims, damages, costs, losses, and liabilities arising out of your use of these resources.

TI's products are provided subject to [TI's Terms of Sale](#), [TI's General Quality Guidelines](#), or other applicable terms available either on ti.com or provided in conjunction with such TI products. TI's provision of these resources does not expand or otherwise alter TI's applicable warranties or warranty disclaimers for TI products. Unless TI explicitly designates a product as custom or customer-specified, TI products are standard, catalog, general purpose devices.

TI objects to and rejects any additional or different terms you may propose.

Copyright © 2026, Texas Instruments Incorporated

Last updated 10/2025