

# UCC27511A 4A ピーク ソースおよび 8A ピーク シンクの シングル チャネル、高速ローサイド ゲート ドライバ

## 1 特長

- 入力ピンは GND ピンより -5V 低い電圧に耐性
- NPN/PNP ディスクリートソリューションの代替として最適な低コストのゲートドライバ デバイス
- 大きなシンク電流によってミラー ターンオンに対する耐性を強化
- 分割出力構成 (ターンオン / ターンオフの速度を簡単に、別々に調整可能)
- 短い伝搬遅延 (標準値 13ns)
- 高速立ち上がり / 立ち下がり時間 (標準値 8ns / 7ns)
- 4.5V ~ 18V の単一電源電圧範囲
- $V_{DD}$  UVLO 時に出力を LOW に保持 (電源オンおよび電源オフ時にグリッチのない動作を保証)
- TTL および CMOS 互換の入力ロジック スレッシュホールド (電源電圧に無関係)
- 広いヒステリシス (標準値 1V) による優れたノイズ耐性
- デュアル入力の設計 (反転 (IN-ピン) または非反転 (IN+ピン) のドライバ構成を選択)
  - 使用しない入力ピンはイネーブルおよびディスエーブル機能に使用可能
- 入力ピンのフローティング時は出力を LOW に保持
- 入力ピンの絶対最大電圧レベルが  $V_{DD}$  ピンのバイアス電源電圧に制限されない

## 2 アプリケーション

- スイッチ モード電源
- DC/DC コンバータ
- デジタル電源コントローラ用コンパニオン ゲートドライバ デバイス
- 太陽光発電、モータ制御、UPS
- GaN など、最新のバンドギャップの広いパワー デバイスのゲート駆動

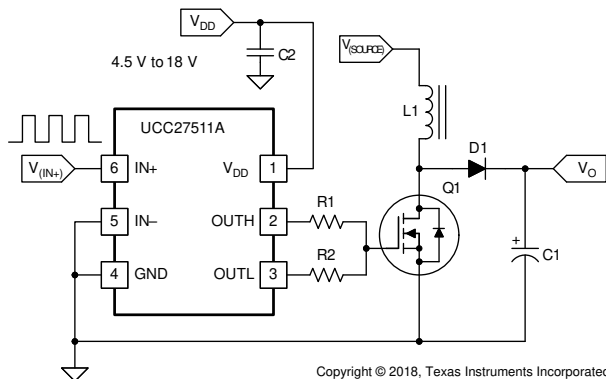
## 3 概要

UCC27511A デバイスは小型のゲートドライバで、NPN または PNP ディスクリートドライバ (バッファ回路) ソリューションの優れた代替品です。UCC27511A デバイスはシングル チャネル、ローサイド、高速ゲート ドライバで、MOSFET、IGBT、および最新の GaN などバンドギャップが広いパワー デバイス用の定格を備えています。UCC27511A デバイスは立ち上がり、立ち下がり、伝播遅延の時間が短いため、高速なアプリケーションに適しています。非対称の 4A ピーク ソースおよび 8A ピーク シンク電流により、寄生ミラー ターンオン効果の影響への耐性が強化されています。出力の分離構成により、2 つの抵抗を使用するだけで立ち上がりと立ち下がりの時間を簡単に、別々に調整でき、外付けのダイオードは必要ありません。広い入力ヒステリシスや、負の入力電圧の処理能力などの特長により、過渡耐性が強化されています。

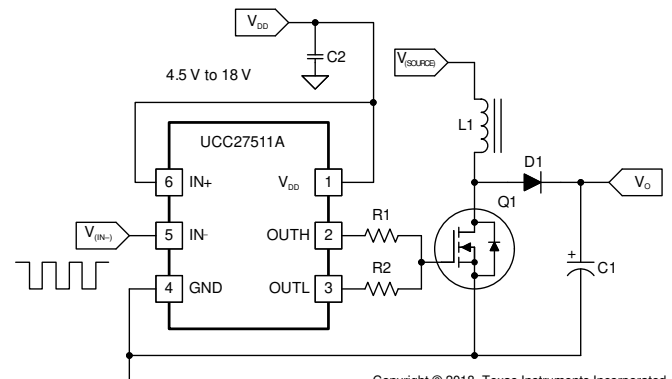
### 製品情報

部品番号	パッケージ <sup>(1)</sup>	本体サイズ (公称)
UCC27511A	DBV (SOT-23 6)	2.90mm × 1.60mm

(1) 供給されているすべてのパッケージについては、[セクション 12](#) を参照してください。



非反転入力のアプリケーション図



反転入力のアプリケーション図



## Table of Contents

<b>1 特長</b> .....	<b>1</b>	<b>7 Application and Implementation</b> .....	<b>19</b>
<b>2 アプリケーション</b> .....	<b>1</b>	7.1 Application Information.....	19
<b>3 概要</b> .....	<b>1</b>	7.2 Typical Application.....	20
<b>4 Pin Configuration and Functions</b> .....	<b>3</b>	<b>8 Power Supply Recommendations</b> .....	<b>25</b>
<b>5 Specifications</b> .....	<b>4</b>	<b>9 Layout</b> .....	<b>26</b>
5.1 Absolute Maximum Ratings.....	4	9.1 Layout Guidelines.....	26
5.2 Handling Ratings.....	4	9.2 Layout Example.....	26
5.3 Recommended Operating Conditions.....	4	<b>10 Device and Documentation Support</b> .....	<b>27</b>
5.4 Thermal Information.....	5	10.1 Device Support.....	27
5.5 Electrical Characteristics.....	5	10.2 ドキュメントの更新通知を受け取る方法.....	27
5.6 Switching Characteristics.....	7	10.3 サポート・リソース.....	27
5.7 Typical Characteristics.....	9	10.4 Trademarks.....	27
<b>6 Detailed Description</b> .....	<b>12</b>	10.5 静電気放電に関する注意事項.....	27
6.1 Overview.....	12	10.6 用語集.....	27
6.2 Functional Block Diagram.....	13	<b>11 Revision History</b> .....	<b>28</b>
6.3 Feature Description.....	13	<b>12 Mechanical, Packaging, and Orderable Information</b> .....	<b>28</b>
6.4 Device Functional Modes.....	18		

## 4 Pin Configuration and Functions

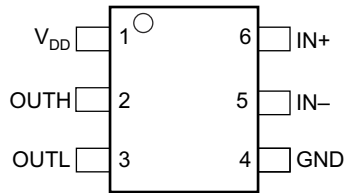


図 4-1. DBV Package 6-Pin SOT-23 Top View

表 4-1. Pin Functions

PIN		I/O	FUNCTION
NO.	NAME		
4	GND	—	Ground. All signals referenced to this pin.
6	IN+	I	Non-inverting input. When used in inverting configuration, connect the IN+ pin to $V_{DD}$ to enable output. To disable output connect the IN+ pin to GND or leave floating.
5	IN-	I	Inverting input. When used in non-inverting configuration, connect the IN- pin to GND to enable output. To disable the output connect the IN- pin to $V_{DD}$ or leave floating.
2	OUTH	O	Sourcing current output of driver. Connect a resistor between the OUTH pin and the gate of the power-switching device to adjust turnon speed.
3	OUTL	O	Sinking current output of driver. Connect a resistor between the OUTL pin and the gate of the power-switching device to adjust turnoff speed.
1	$V_{DD}$	I	Bias supply input.

## 5 Specifications

### 5.1 Absolute Maximum Ratings

over operating free-air temperature range (unless otherwise noted) <sup>(1)</sup> <sup>(2)</sup> <sup>(3)</sup>

		MIN	MAX	UNIT
Supply voltage	V <sub>DD</sub>	-0.3	20	V
Input voltage	IN+, IN- <sup>(4)</sup>	-6	20	
Output voltage	OUTH	-0.3	V <sub>DD</sub> + 0.3	
	OUTL	DC	-0.3	
		Repetitive pulse less than 200 ns <sup>(5)</sup>	-2	20
Output continuous current (OUTH source current and OUTL sink current)	I <sub>O_DC</sub> (source)		0.3	A
	I <sub>O_DC</sub> (sink)		0.6	
Output pulsed current (0.5 μs) (OUTH source current and OUTL sink current)	I <sub>O_pulsed</sub> (source)		4	
	I <sub>O_pulsed</sub> (sink)		8	
Operating virtual junction temperature range, T <sub>J</sub>		-40	150	°C
Lead temperature	Soldering, 10 sec.		300	
	Reflow		260	

- Stresses beyond those listed under *absolute maximum ratings* may cause permanent damage to the device. These are stress ratings only and functional operation of the device at these or any other conditions beyond those indicated under *recommended operating conditions* is not implied. Exposure to absolute-maximum-rated conditions for extended periods may affect device reliability.
- All voltages are with respect to GND unless otherwise noted. Currents are positive into and negative out of the specified terminal. See the [セクション 7.2.2.7](#) for thermal limitations and considerations of packages.
- These devices are sensitive to electrostatic discharge; follow proper device handling procedures.
- Maximum voltage on input pins is not restricted by the voltage on the V<sub>DD</sub> pin.
- Values are verified by characterization on bench.

### 5.2 Handling Ratings

		MIN	MAX	UNIT	
T <sub>stg</sub>	Storage temperature range	-65	150	°C	
V <sub>(ESD)</sub>	Electrostatic discharge	Human body model (HBM), per ANSI/ESDA/JEDEC JS-001, all pins <sup>(1)</sup>	-4000	4000	V
		Charged device model (CDM), per JEDEC specification JESD22-C101, all pins <sup>(2)</sup>	-1000	1000	

- JEDEC document JEP155 states that 500-V HBM allows safe manufacturing with a standard ESD control process.
- JEDEC document JEP157 states that 250-V CDM allows safe manufacturing with a standard ESD control process.

### 5.3 Recommended Operating Conditions

over operating free-air temperature range (unless otherwise noted)

		MIN	NOM	MAX	UNIT
V <sub>DD</sub>	Supply voltage	4.5	12	18	V
V <sub>I</sub>	Input voltage, IN+ and IN-	-5		18	V
T <sub>A</sub>	Operating junction temperature range	-40		140	°C

## 5.4 Thermal Information

THERMAL METRIC <sup>(1)</sup>		DBV	UNIT
		6 PINS	
R <sub>θJA</sub>	Junction-to-ambient thermal resistance	217.8	°C/W
R <sub>θJC(top)</sub>	Junction-to-case (top) thermal resistance	97.6	
R <sub>θJB</sub>	Junction-to-board thermal resistance	72.2	
Ψ <sub>JT</sub>	Junction-to-top characterization parameter	8.6	
Ψ <sub>JB</sub>	Junction-to-board characterization parameter	71.6	

(1) For more information about traditional and new thermal metrics, see the [IC Package Thermal Metrics Application Report](#).

## 5.5 Electrical Characteristics

V<sub>DD</sub> = 12 V, T<sub>A</sub> = T<sub>J</sub> = -40°C to 140°C, 1-μF capacitor from V<sub>DD</sub> to GND. Currents are positive into, negative out of the specified terminal.

PARAMETER		TEST CONDITIONS		MIN	TYP	MAX	UNIT
<b>BIAS CURRENTS</b>							
I <sub>(START)</sub>	Startup current	V <sub>DD</sub> = 3.4 V	IN+ = V <sub>DD</sub> , IN- = GND	40	100	160	μA
			IN+ = IN- = GND or IN+ = IN- = V <sub>DD</sub>	25	75	145	
			IN+ = GND, IN- = V <sub>DD</sub>	20	60	115	
<b>UNDERVOLTAGE LOCKOUT (UVLO)</b>							
V <sub>(ON)</sub>	Supply start threshold	T <sub>A</sub> = 25°C	3.91	4.2	4.5	V	
		T <sub>A</sub> = -40°C to 140°C	3.7	4.2	4.65		
V <sub>(OFF)</sub>	Minimum operating voltage after supply start		3.45	3.9	4.35		
V <sub>DD(hys)</sub>	Supply voltage hysteresis		0.2	0.3	0.5		
<b>INPUTS (IN+, IN-)</b>							
V <sub>IH(IN)</sub>	Input signal high threshold	Output high for IN+ pin, Output low for IN- pin		2.2	2.4	V	
V <sub>IL(IN)</sub>	Input signal low threshold	Output low for IN+ pin, Output high for IN- pin	1.0	1.2			
V <sub>hys(IN)</sub>	Input signal hysteresis			1			
<b>SOURCE AND SINK CURRENT</b>							
I <sub>P(SRC)</sub>	Source peak current <sup>(1)</sup>	C <sub>(LOAD)</sub> = 0.22 μF, f <sub>S</sub> = 1 kHz		-4		A	
I <sub>P(SNK)</sub>	Sink peak current <sup>(1)</sup>	C <sub>(LOAD)</sub> = 0.22 μF, f <sub>S</sub> = 1 kHz		8		A	
<b>OUTPUTS (OUTH, OUTL, OUT)</b>							
V <sub>OH</sub>	High output voltage	V <sub>DD</sub> = 12 V I <sub>(OUTH)</sub> = -10 mA		50	90	mV	
		V <sub>DD</sub> = 4.5 V I <sub>(OUTH)</sub> = -10 mA		60	130		
V <sub>OL</sub>	Low output voltage	V <sub>DD</sub> = 12 I <sub>(OUTL)</sub> = 10 mA		5	6.5		
		V <sub>DD</sub> = 4.5 V I <sub>(OUTL)</sub> = 10 mA		5.5	10		

## 5.5 Electrical Characteristics (続き)

$V_{DD} = 12\text{ V}$ ,  $T_A = T_J = -40^\circ\text{C}$  to  $140^\circ\text{C}$ ,  $1\text{-}\mu\text{F}$  capacitor from  $V_{DD}$  to GND. Currents are positive into, negative out of the specified terminal.

PARAMETER		TEST CONDITIONS	MIN	TYP	MAX	UNIT
$R_{O(H)}$	Output pullup resistance <sup>(2)</sup>	$V_{DD} = 12\text{ V}$ $I_{(OUTH)} = -10\text{ mA}$		5	7.5	$\Omega$
		$V_{DD} = 4.5\text{ V}$ $I_{(OUTH)} = -10\text{ mA}$		5	11	
$R_{O(L)}$	Output pulldown resistance	$V_{DD} = 12\text{ V}$ $I_{(OUTL)} = 10\text{ mA}$		0.375	0.65	
		$V_{DD} = 4.5\text{ V}$ $I_{(OUTL)} = 10\text{ mA}$		0.45	0.75	

(1) Ensured by Design.

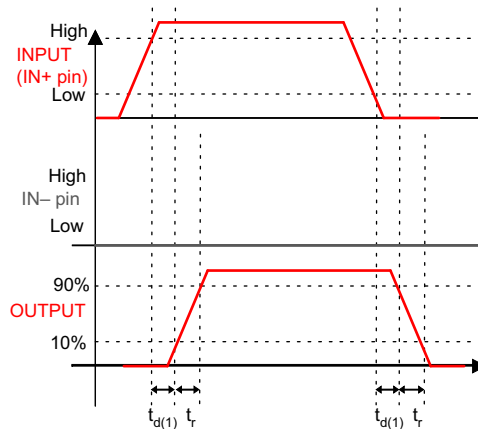
(2)  $R_{O(H)}$  represents the on-resistance of P-channel MOSFET in pullup structure of the output stage of the UCC27511A device.

## 5.6 Switching Characteristics

$V_{DD} = 12\text{ V}$ ,  $T_A = T_J = -40^\circ\text{C}$  to  $140^\circ\text{C}$ ,  $1\text{-}\mu\text{F}$  capacitor from  $V_{DD}$  to GND. Currents are positive into, negative out of the specified terminal. See [Figure 5-1](#), [Figure 5-2](#), [Figure 5-3](#), and [Figure 5-4](#)

PARAMETER	TEST CONDITIONS	MIN	TYP	MAX	UNIT
$t_r$ Rise time <sup>(1)</sup>	$V_{DD} = 12\text{ V}$ $C_{(LOAD)} = 1.8\text{ nF}$ , connected to OUTH and OUTL pins tied together		8	12	ns
	$V_{DD} = 4.5\text{ V}$ $C_{(LOAD)} = 1.8\text{ nF}$		16	22	
$t_f$ Fall time <sup>(1)</sup>	$V_{DD} = 12\text{ V}$ $C_{(LOAD)} = 1.8\text{ nF}$ , connected to OUTH and OUTL pins tied together		7	11	ns
	$V_{DD} = 4.5\text{ V}$ $C_{(LOAD)} = 1.8\text{ nF}$		7	11	
$t_{d(1)}$ IN+ to output propagation delay <sup>(1)</sup>	$V_{DD} = 12\text{ V}$ 5-V input pulse $C_{(LOAD)} = 1.8\text{ nF}$ , connected to OUTH and OUTL pins tied together	4	13	23	ns
	$V_{DD} = 4.5\text{ V}$ 5-V input pulse $C_{(LOAD)} = 1.8\text{ nF}$ , connected to OUTH and OUTL pins tied together	4	15	26	
$t_{d(2)}$ IN– to output propagation delay <sup>(1)</sup>	$V_{DD} = 12\text{ V}$ $C_{(LOAD)} = 1.8\text{ nF}$ , connected to OUTH and OUTL pins tied together	4	13	23	ns
	$V_{DD} = 4.5\text{ V}$ $C_{(LOAD)} = 1.8\text{ nF}$ , connected to OUTH and OUTL pins tied together	4	19	30	

(1) See timing diagrams in [Figure 5-1](#), [Figure 5-2](#), [Figure 5-3](#), and [Figure 5-4](#).



**Figure 5-1. Non-Inverting Configuration (PWM Input to IN+ pin (IN– Pin Tied to GND), Output Represents OUTH and OUTL Pins Tied Together in the UCC27511A)**

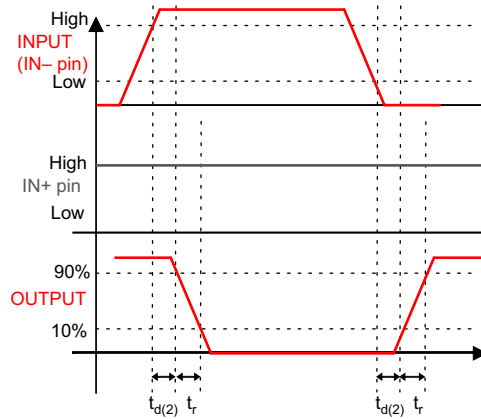


図 5-2. Inverting Configuration (PWM Input to IN- Pin (IN+ Pin Tied to  $V_{DD}$ ), Output Represents OUTH and OUTL Pins Tied Together in the UCC27511A)

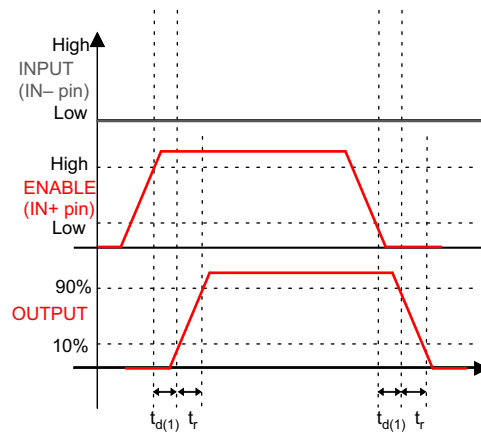


図 5-3. Enable And Disable Function Using IN+ Pin (Enable and Disable Signal Applied to IN+ Pin, PWM Input to IN- Pin, Output Represents OUTH and OUTL Pins Tied Together in the UCC27511A)

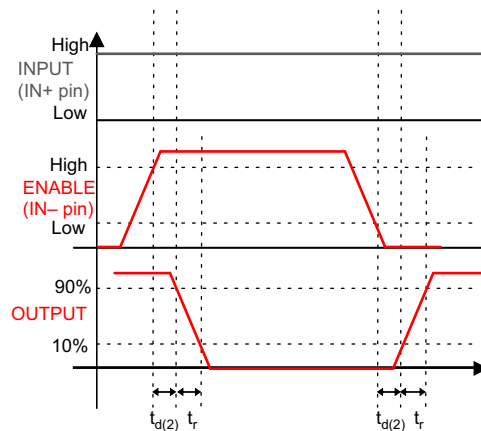
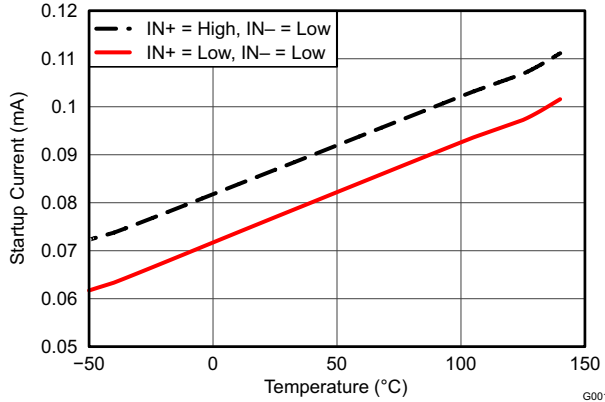


図 5-4. Enable and Disable Function Using IN- Pin (Enable and Disable Signal Applied to IN- Pin, PWM Input to IN+ Pin, Output Represents OUTH and OUTL Pins Tied Together in the UCC27511A)

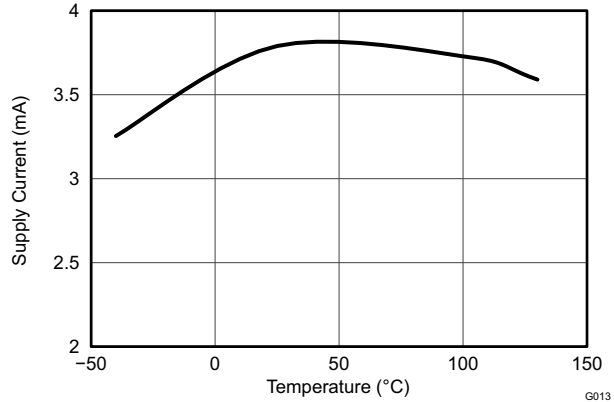


### 5.7 Typical Characteristics



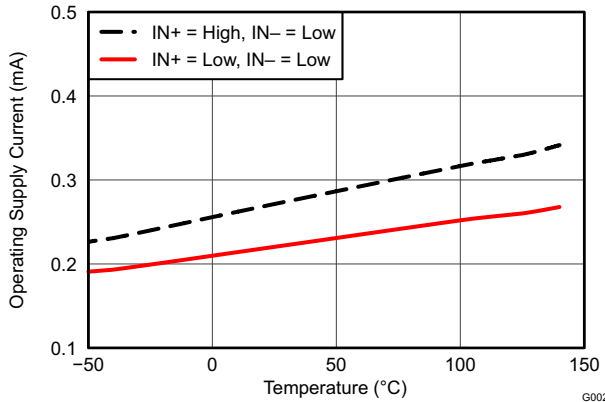
$V_{DD} = 3.4\text{ V}$

図 5-5. Startup Current vs Temperature



$V_{DD} = 12\text{ V}$     $C_{(LOAD)} = 500\text{ pF}$     $f_S = 500\text{ kHz}$

図 5-6. Operating Supply Current vs Temperature (Output Switching)



$V_{DD} = 12\text{ V}$

図 5-7. Supply Current vs Temperature (Output in DC On or Off Condition)

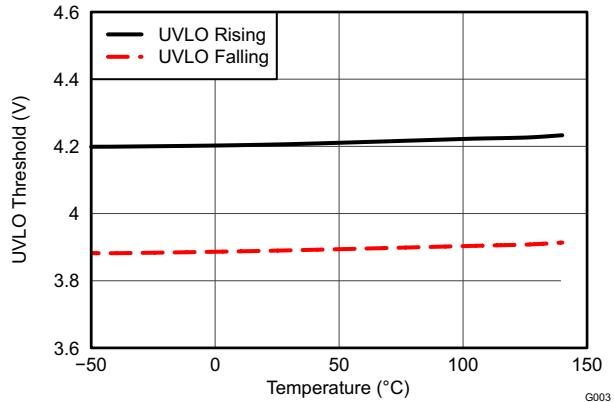
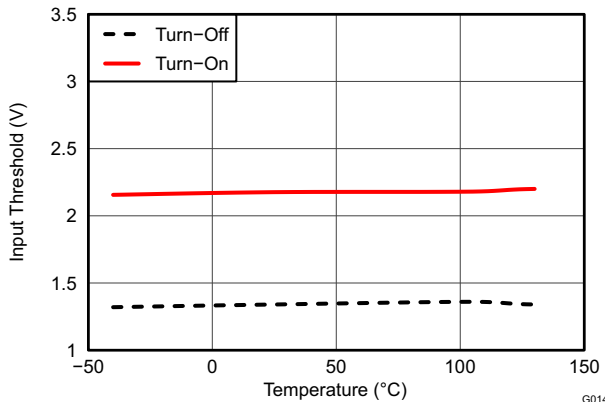
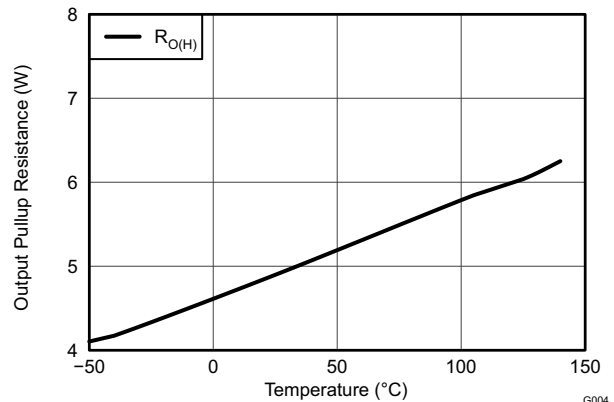


図 5-8. UVLO Threshold Voltage vs Temperature



$V_{DD} = 12\text{ V}$     $C_{(LOAD)} = 1.8\text{ nF}$

図 5-9. Input Threshold vs Temperature



$V_{DD} = 12\text{ V}$     $I_O = 10\text{ mA}$

図 5-10. Output Pullup Resistance vs Temperature

### 5.7 Typical Characteristics (continued)

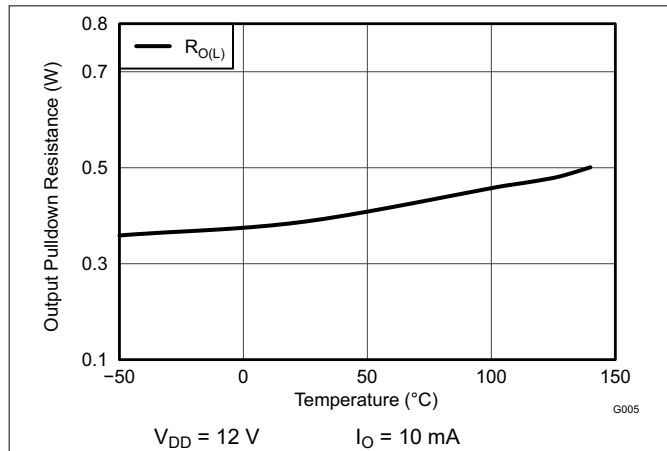


图 5-11. Output Pull-Down Resistance vs Temperature

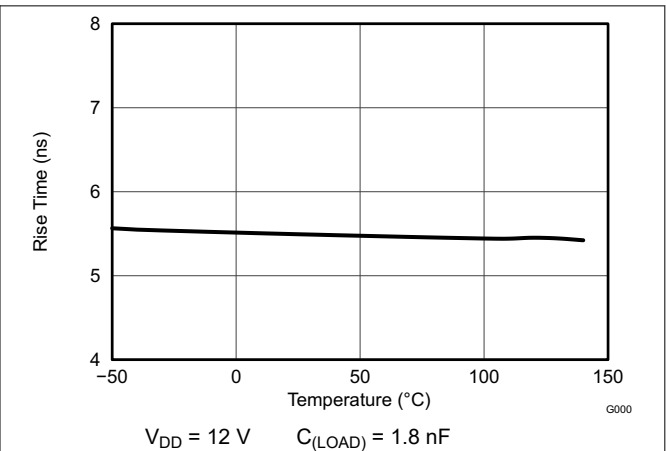


图 5-12. Rise Time vs Temperature

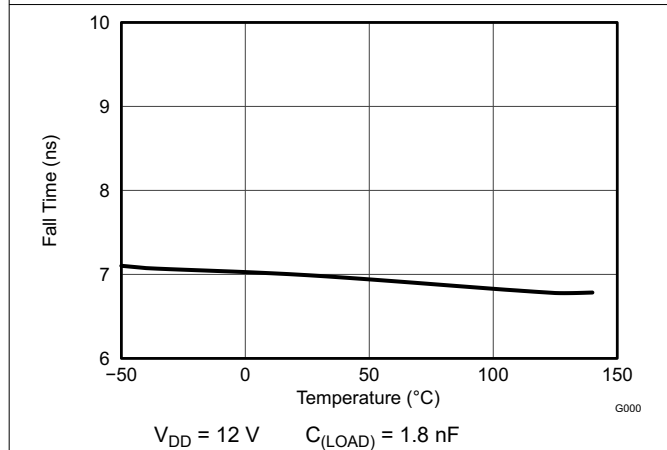


图 5-13. Fall Time vs Temperature

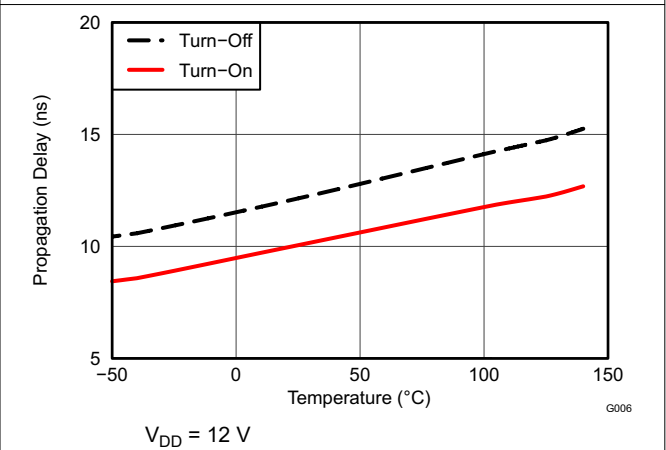


图 5-14. Input to Output Propagation Delay vs Temperature

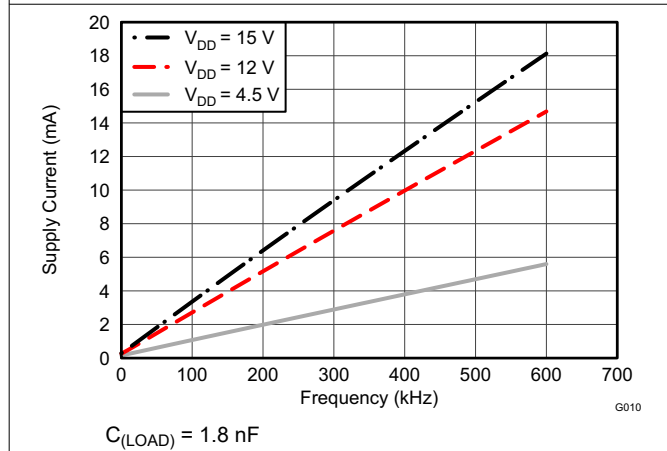


图 5-15. Operating Supply Current vs Frequency

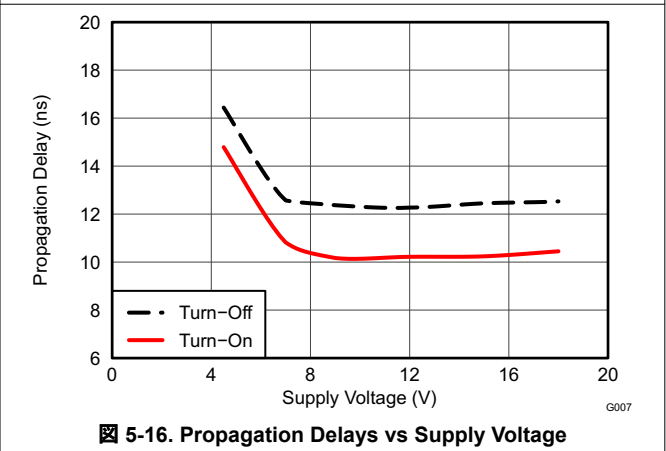
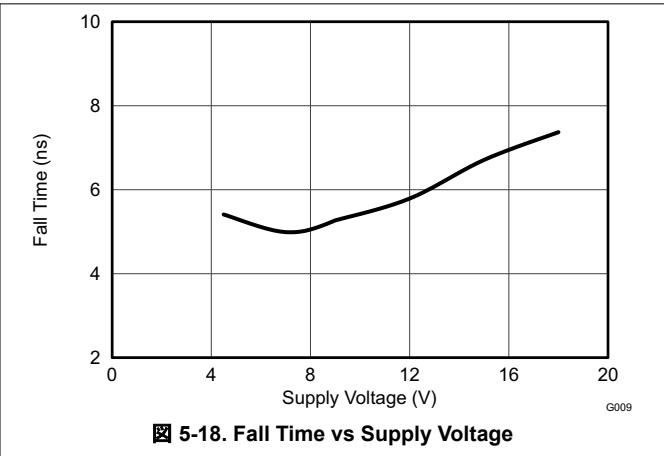
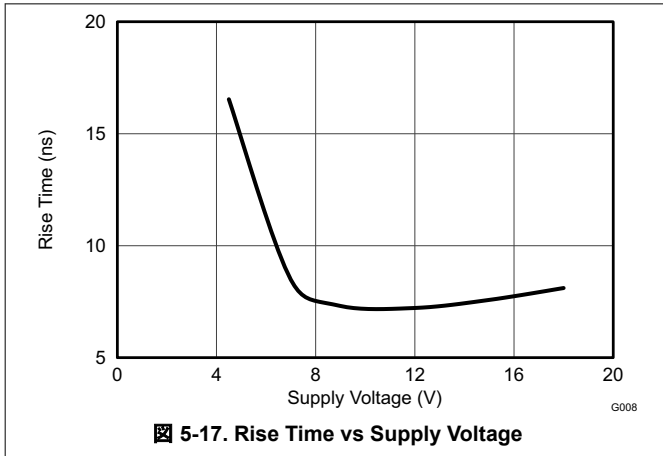


图 5-16. Propagation Delays vs Supply Voltage

### 5.7 Typical Characteristics (continued)



## 6 Detailed Description

### 6.1 Overview

The UCC27511A single-channel high-speed low-side gate-driver device is capable of effectively driving MOSFET and IGBT power switches. Using a design that inherently minimizes shoot-through current, the UCC27511A device is capable of sourcing and sinking high peak-current pulses into capacitive loads offering rail-to-rail drive capability and extremely small propagation delay of 13 ns (typical).

The UCC27511A device provides 4-A source, 8-A sink (asymmetrical drive) peak-drive current capability. Strong sink capability in asymmetrical drive boosts immunity against parasitic, Miller turnon effect. The UCC27511A device also features a unique split output configuration where the gate-drive current is sourced through the OUTH pin and sunk through the OUTL pin. This unique pin arrangement allows the user to apply independent turnon and turnoff resistors to the OUTH and OUTL pins (respectively) and easily control the switching slew rates.

Alternatively the OUTH and OUTL pins can be tied together, which results in a typical gate driver output configuration where the source and sink currents are delivered from the same pin. In case of UCC27511A device, the state of the device's output is simply determined by the combined states of the OUTH and OUTL pins when tied together. Output high implies that OUTH pin is pulled close to  $V_{DD}$  pin bias voltage while OUTL pin is in high-impedance state. Similarly output low implies that OUTL pin is pulled close to the GND pin while OUTH pin is in high-impedance state. OUTH pulled to  $V_{DD}$ , while OUTL pulled to GND pin simultaneously is not a valid state for the device.

The UCC27511A device is designed to operate over a wide  $V_{DD}$  range of 4.5 to 18 V and wide temperature range of  $-40^{\circ}\text{C}$  to  $140^{\circ}\text{C}$ . Internal undervoltage lockout (UVLO) circuitry on the  $V_{DD}$  pin holds the output low outside  $V_{DD}$  operating range. The capability to operate at low voltage levels, such as below 5 V, along with best-in-class switching characteristics, is especially suited for driving emerging wide band-gap power-switching devices such as GaN power-semiconductor devices.

The UCC27511A device features a dual-input design which offers flexibility of implementing both inverting (IN– pin) and non-inverting (IN+ pin) configuration with the same device. Either the IN+ or IN– pin can be used to control the state of the driver output. The unused input pin can be used for enable and disable functions. For system robustness, internal pullup and pulldown resistors on the input pins ensure that outputs are held low when the input pins are in floating condition. Therefore the unused input pin is not left floating and must be properly biased to ensure that driver output is in enabled for normal operation.

The input pin threshold of the UCC27511A device is based on TTL and CMOS-compatible low-voltage logic which is fixed and independent of the  $V_{DD}$  supply voltage. Wide hysteresis between the high and low thresholds offers excellent noise immunity.

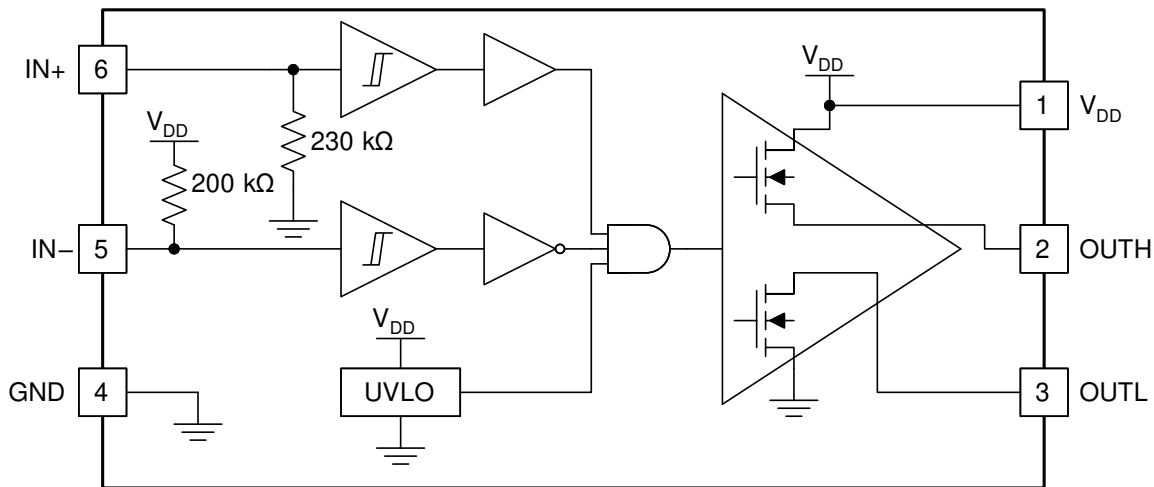
**表 6-1. UCC27511A Device Summary**

PART NUMBER	PACKAGE	PEAK CURRENT (SOURCE, SINK)	INPUT THRESHOLD LOGIC
UCC27511ADB	SOT-23, 6 pin	4-A, 8-A (Asymmetrical Drive)	CMOS/TTL-Compatible (low voltage, independent of $V_{DD}$ bias voltage)

表 6-2. UCC27511A Features and Benefits

FEATURE	BENEFIT
High source and sink current capability 4 A and 8 A (Asymmetrical) – UCC27511A device	High current capability offers flexibility in employing UCC2751x family of devices to drive a variety of power switching devices at varying speeds
best-in-class 13-ns (typ) propagation delay	Extremely low pulse-transmission distortion
Expanded $V_{DD}$ Operating range of 4.5 V to 18 V	Flexibility in system design
Expanded operating temperature range of $-40^{\circ}\text{C}$ to $140^{\circ}\text{C}$ (See the セクション 5.5 table)	Low $V_{DD}$ operation ensures compatibility with emerging wide band-gap power devices such as GaN
$V_{DD}$ UVLO Protection	Outputs are held low in UVLO condition, which ensures predictable glitch-free operation at power up and power down
Outputs held low when input pins (INx) in floating condition	Enables the device to pass abnormal-condition system tests and delivers robust operation
Input pin voltage thresholds are independent of $V_{DD}$ . Input pins can withstand voltages greater than $V_{DD}$ .	System simplification, especially related to auxiliary bias supply architecture
Split output structure in the UCC27511A device (OUTH, OUTL)	Allows independent optimization of turnon and turnoff speeds
Strong sink current (8 A) and low pulldown impedance ( $0.375\ \Omega$ ) in the UCC27511A device	High immunity to $C \times dV/dt$ Miller turnon events
CMOS/TTL compatible input-threshold logic with wide hysteresis in the UCC27511A device	Enhanced noise immunity, while retaining compatibility with microcontroller logic-level input signals (3.3 V, 5 V) optimized for digital power

## 6.2 Functional Block Diagram



Copyright © 2018, Texas Instruments Incorporated

## 6.3 Feature Description

In the following sections, the term *output*, or *OUT* refers to the combined state that results when the OUTH pin is tied directly to the OUTL pin. As stated earlier, *output high*, or *OUT high* refers to the state when the OUTH pin is pulled close to  $V_{DD}$  pin bias voltage while the OUTL pin is in high-impedance state. Similarly *output low* or *OUT low* implies that the OUTL pin is pulled close to the GND pin while the OUTH pin is in high-impedance state.

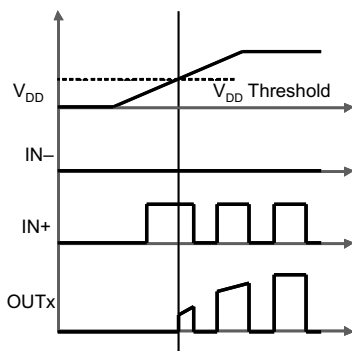
### 6.3.1 $V_{DD}$ and Undervoltage Lockout

The UCC27511A device has an internal undervoltage-lockout (UVLO) protection feature on the  $V_{DD}$  pin supply circuit blocks. Whenever the driver is in UVLO condition (for example when the  $V_{DD}$  voltage is less than  $V_{(ON)}$  during power up and when the  $V_{DD}$  voltage is less than  $V_{(OFF)}$  during power down), this circuit holds all outputs low, regardless of the status of the inputs. The UVLO is typically 4.2 V with 300-mV typical hysteresis. This hysteresis prevents chatter when low  $V_{DD}$  supply voltages have noise from the power supply and also when

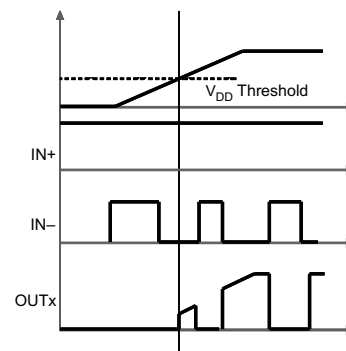
there are droops in the  $V_{DD}$  bias voltage when the system commences switching and a sudden increase in  $I_{DD}$  occurs. The capability to operate at low voltage levels such as below 5 V, along with best-in-class switching characteristics, is especially suited for driving emerging GaN wide band-gap power-semiconductor devices.

For example, at power up, the UCC27511A driver output remains LOW until the  $V_{DD}$  voltage reaches the UVLO threshold. The magnitude of the OUT signal rises with  $V_{DD}$  until steady-state  $V_{DD}$  is reached. In the non-inverting operation (PWM signal applied to IN+ pin) shown in [Figure 6-1](#), the output remains LOW until the UVLO threshold is reached, and then the output is IN-phase with the input. In the inverting operation (PWM signal applied to IN- pin) shown in [Figure 6-2](#) the output remains low until the UVLO threshold is reached, and then the output is out-phase with the input. In both cases, the unused input pin must be properly biased to enable the output. Note that in these devices the output turns to high state only if the IN+ pin is high and the IN- pin is low after the UVLO threshold is reached.

Because the driver draws current from the  $V_{DD}$  pin to bias all internal circuits, for the best high-speed circuit performance, two  $V_{DD}$ -bypass capacitors are recommended to prevent noise problems. The use of surface-mount components is highly recommended. A 0.1- $\mu$ F ceramic capacitor should be located as close as possible to the  $V_{DD}$  to GND pins of the gate driver. In addition, to help deliver the high-current peaks required by the load, a larger capacitor (such as one with a value of 1  $\mu$ F) with relatively low ESR should be connected in parallel and close proximity. The parallel combination of capacitors should present a low impedance characteristic for the expected current levels and switching frequencies in the application.



**Figure 6-1. Power-Up (Non-Inverting Drive)**



**Figure 6-2. Power-Up (Inverting Drive)**

### 6.3.2 Operating Supply Current

The UCC27511A device features very low quiescent  $I_{DD}$  currents. The typical operating-supply current in undervoltage-lockout (UVLO) state and fully-on state (under static and switching conditions) are summarized in [Figure 5-5](#), [Figure 5-6](#) and [Figure 5-7](#). The  $I_{DD}$  current when the device is fully on and outputs are in a static state (DC high or DC low, refer [Figure 5-7](#)) represents lowest quiescent  $I_{DD}$  current when all the internal logic circuits of the device are fully operational. The total supply current is the sum of the quiescent  $I_{DD}$  current, the average  $I_O$  current because of switching, and finally any current related to pullup resistors on the unused input pin. For example, when the inverting input pin is pulled low additional current is drawn from the  $V_{DD}$  supply through the pullup resistors (see [Section 6.2](#)). Knowing the operating frequency ( $f_S$ ) and the MOSFET gate ( $Q_G$ ) charge at the drive voltage being used, the average  $I_O$  current can be calculated as product of  $Q_G$  and  $f_S$ .

A complete characterization of the  $I_{DD}$  current as a function of switching frequency at different  $V_{DD}$  bias voltages under 1.8-nF switching load is provided in [Figure 5-15](#). The strikingly linear variation and close correlation with the theoretical value of the average  $I_O$  indicates negligible shoot-through inside the gate-driver device attesting to the high-speed characteristics.

### 6.3.3 Input Stage

The input pins of the UCC27511A device is based on a TTL and CMOS compatible input-threshold logic that is independent of the  $V_{DD}$  supply voltage. With a typically high threshold of 2.2 V and a typically low threshold of

1.2 V, the logic-level thresholds can be conveniently driven with PWM control signals derived from 3.3-V and 5-V digital-power controllers. Wider hysteresis (1 V typical) offers enhanced noise immunity compared to traditional TTL-logic implementations, where the hysteresis is typically less than 0.5 V. This device also features tight control of the input-pin threshold-voltage levels which eases system design considerations and ensures stable operation across temperature. The very-low input capacitance on these pins reduces loading and increases switching speed.

Whenever any of the input pins are in a floating condition, the output of the respective channel is held in the low state. This function is achieved using  $V_{DD}$ -pullup resistors on all the inverting inputs (IN– pin) or GND-pulldown resistors on all the non-inverting input pins (IN+ pin), (see [セクション 6.2](#)).

The device also features a dual-input configuration with two input pins available to control the state of the output. The user has the flexibility to drive the device using either a non-inverting input pin (IN+) or an inverting input pin (IN–). The state of the output pin is dependent on the bias on both the IN+ and IN– pins. For additional clarification, refer to the I/O-logic truth table ([表 6-3](#)) and the typical application diagrams, ([図 6-4](#) and [図 6-5](#)).

When an input pin is selected for PWM drive, the other input pin (the *unused* input pin) must be properly biased in order to enable the output. As previously stated, the *unused* input pin cannot remain in a floating condition because whenever any input pin is left in a floating condition the output is disabled. Alternatively, the *unused* input pin can effectively be used to implement an enable or disable function. The following explains this function:

- In order to drive the device in a non-inverting configuration, apply the PWM-control input signal to IN+ pin. In this case, the *unused* input pin, IN–, must be biased low (such as tied to GND) in order to enable the output.
  - Alternately, the IN– pin is used to implement the enable or disable function using an external logic signal. OUT is disabled when IN– is biased high and OUT is enabled when IN– is biased low.
- In order to drive the device in an inverting configuration, apply the PWM-control input signal to IN– pin. In this case, the *unused* input pin, IN+, must be biased high (such as tied to  $V_{DD}$ ) in order to enable the output.
  - Alternately, the IN+ pin is used to implement the enable or disable function using an external logic signal. OUT is disabled when IN+ is biased low and OUT is enabled when IN+ is biased high.
- Finally, note that the output pin can be driven into a high state **only** when the IN+ pin is biased high and the IN– input is biased low.

The input stage of the driver is preferably driven by a signal with a short rise or fall time. Use caution whenever the driver is used with slowly varying input signals, especially in situations where the device is located in a mechanical socket or PCB layout that is not optimal:

- High  $dI/dt$  current from the driver output coupled with board layout parasitics can cause ground bounce. The differential voltage between input pins and GND is modified and triggers an unintended change of output state because of fast 13-ns propagation delay which can ultimately result in high-frequency oscillations that increase power dissipation and pose a risk of damage to the device.
- A 1-V input-threshold hysteresis boosts noise immunity compared to most other industry standard drivers.
- In the worst case, when a slow input signal is used and PCB layout is not optimal, adding a small capacitor (1 nF) between the input pin and GND pin very close to the driver device may be necessary which helps to convert the differential mode noise with respect to the input-logic circuitry into common-mode noise and avoid unintended change of output state.

If limiting the rise or fall times to the power device is the primary goal, then an external resistance is highly recommended between the output of the driver and the power device instead of adding delays on the input signal. This external resistor has the additional benefit of reducing part of the gate-charge related power dissipation in the gate-driver device package and transferring the power dissipation into the external resistor.

### 6.3.4 Enable Function

As mentioned earlier, an enable and disable function is easily implemented in UCC27511A device using the *unused* input pin. When the IN+ pin is pulled down to GND or the IN– pin is pulled down to  $V_{DD}$ , the output is disabled. Thus the IN+ pin can be used like an enable pin that is based on active-high logic, while the IN– pin can be used like an enable pin that is based on active-low logic.

### 6.3.5 Output Stage

Figure 6-3 shows the output stage of the UCC27511A device. The UCC27511A device features a unique architecture on the output stage which delivers the highest peak-source current when the peak source current is most needed during the Miller plateau region of the power switch turnon transition (when the power-switch drain or collector voltage experiences  $dV/dt$ ). The device output stage features a hybrid pullup structure using a parallel arrangement of N-channel and P-channel MOSFET devices. By turning on the N-channel MOSFET during a narrow instant when the output changes state from low to high, the gate-driver device is able to deliver a brief boost in the peak-sourcing current enabling fast turnon.

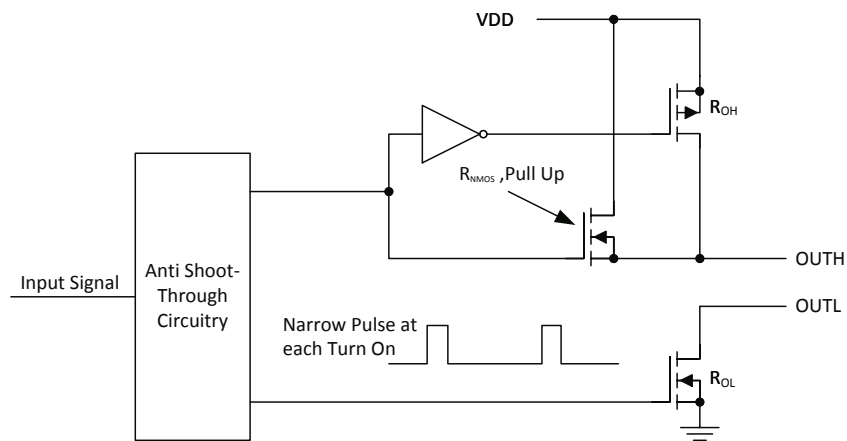


Figure 6-3. UCC27511A Gate Driver Output Structure

The  $R_{O(H)}$  parameter (see the [セクション 5.5](#) table) is a DC measurement and is representative of the on-resistance of the P-channel device only, because the N-Channel device is turned on only during output change of state from low to high. Thus the effective resistance of the hybrid pullup stage is much lower than what is represented by  $R_{O(H)}$  parameter. The pulldown structure is composed of a N-channel MOSFET only. The  $R_{O(L)}$  parameter (see the [セクション 5.5](#) table), which is also a DC measurement, is representative of true impedance of the pulldown stage in the device. In the UCC27511A device, the effective resistance of the hybrid pullup structure is approximately  $2.7 \times R_{O(L)}$ .

The UCC27511A device features a unique split output configuration where the gate-drive current is sourced through the OUTH pin and sunk through the OUTL pin. This unique pin arrangement allows users to apply independent turnon and turnoff resistors to the OUTH and OUTL pins respectively and easily control the turnon and turnoff switching  $dV/dt$ . This pin arrangement, along with the low pulldown impedance of the output driver stage, is especially useful in applications where a high  $C \times dV/dt$  Miller turnon immunity is needed (such as with GaN power switches, SR MOSFETs and other applications) and the OUTL pin can be directly tied to the gate of the power device.





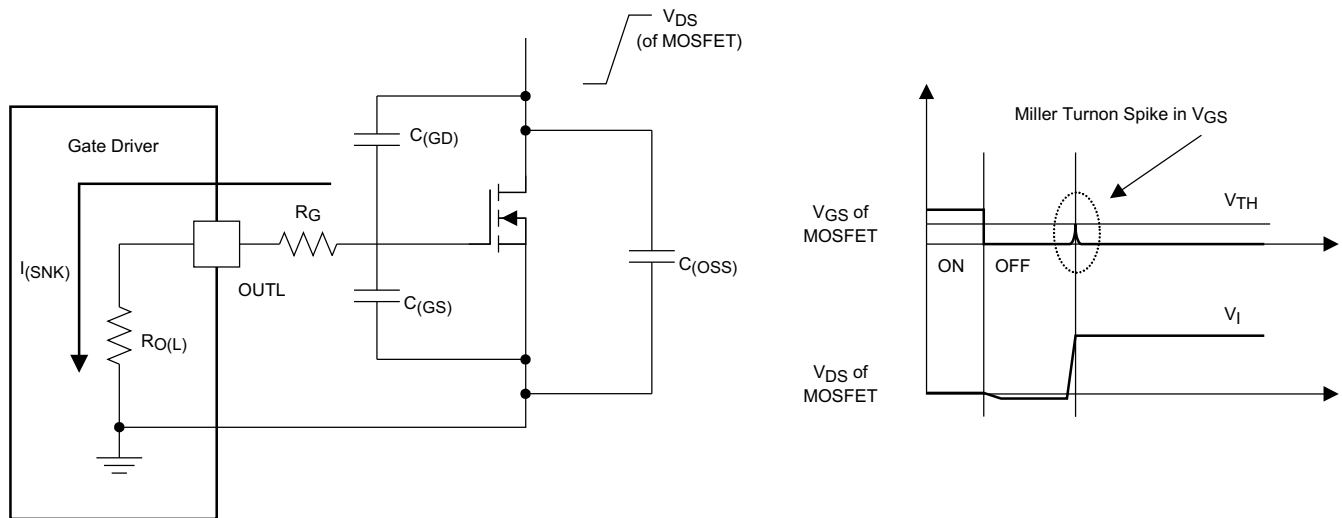


図 6-6. Very-Low Pulldown Impedance in UCC27511A, 4-A and 8-A Asymmetrical Drive (Output Stage Mitigates Miller Turnon Effect)

The driver-output voltage swings between the  $V_{DD}$  and GND pins which provides rail-to-rail operation as a result of the MOS-output stage which delivers very-low dropout. The presence of the MOSFET-body diodes also offers low impedance to switching overshoots and undershoots. In many cases, external Schottky diode clamps are eliminated. The outputs of these drivers are designed to withstand 500-mA reverse current without either damage to the device or logic malfunction.

### 6.3.6 Low Propagation Delays

The UCC27511A driver device features best-in-class input-to-output propagation delay of 13 ns (typical) at  $V_{DD}$  equal to 12 V, which promises the lowest level of pulse transmission distortion available from industry-standard gate-driver devices for high-frequency switching applications. As shown in 図 5-14, very little variation in propagation delay occurs with temperature and supply voltage, offering typically less than 20-ns propagation delays across the entire range of application conditions.

## 6.4 Device Functional Modes

The device operates in normal mode and UVLO mode. See セクション 6.3.1 for information on UVLO operation mode. In the normal mode the output state is dependent on states of the IN+ and IN- pins. 表 6-3 lists the output states for different input pin combinations.

表 6-3. Device Logic Table

IN+ PIN	IN- PIN	OUTH PIN	OUTL PIN	OUT (OUTH AND OUTL PINS TIED TOGETHER IN THE UCC27511A)
L	L	High impedance	L	L
L	H	High impedance	L	L
H	L	H	High impedance	H
H	H	High impedance	L	L
x <sup>(1)</sup>	Any	High impedance	L	L
Any	x <sup>(1)</sup>	High impedance	L	L

(1) x = Floating Condition

## 7 Application and Implementation

---

### 注

以下のアプリケーション情報は、TI の製品仕様に含まれるものではなく、TI ではその正確性または完全性を保証いたしません。個々の目的に対する製品の適合性については、お客様の責任で判断していただくこととなります。お客様は自身の設計実装を検証しテストすることで、システムの機能を確認する必要があります。

---

### 7.1 Application Information

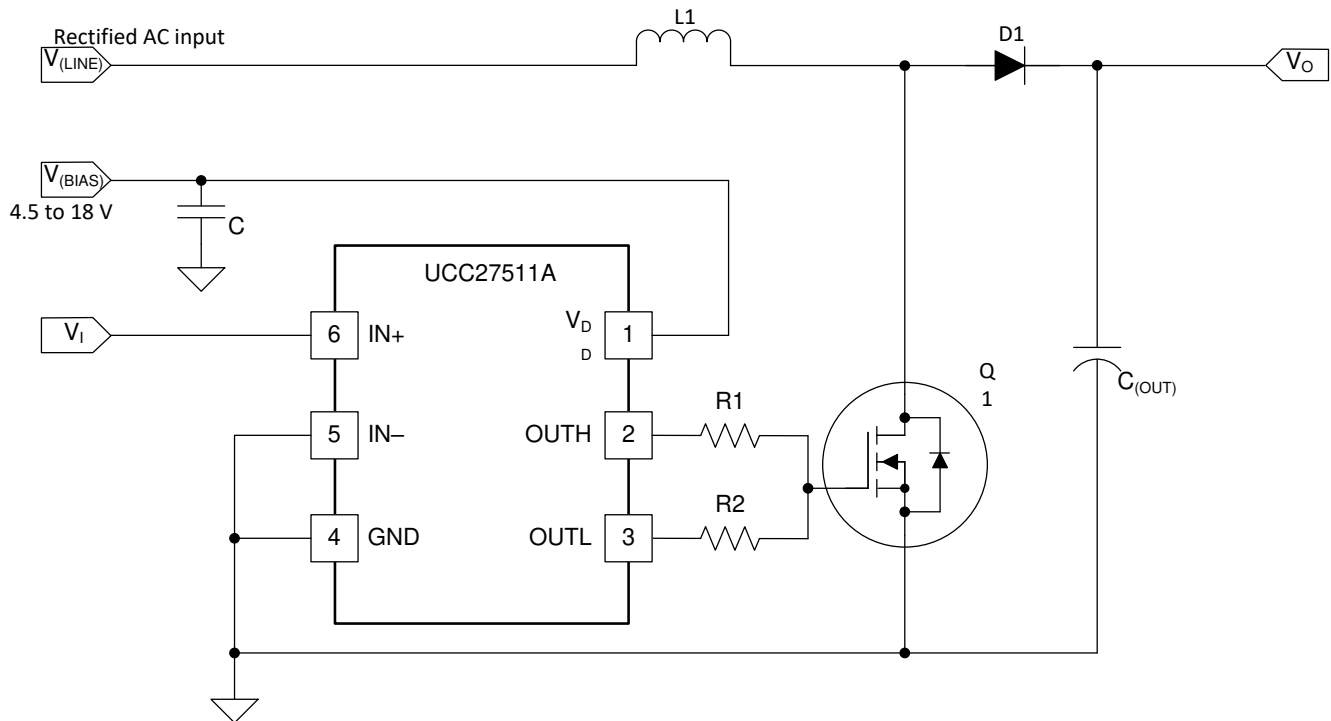
High-current gate-driver devices are required in switching-power applications for a variety of reasons. In order to effect fast switching of power devices and reduce associated switching power losses, a powerful gate driver employs between the PWM output of controllers and the gates of the power-semiconductor devices. Further, gate drivers are indispensable when having the PWM controller directly drive the gates of the switching devices is impossible. With the advent of digital power, this situation will be encountered often encountered because the PWM signal from the digital controller is often a 3.3-V logic signal which is not capable of effectively turning on a power switch.

A level-shifting circuitry is needed to boost the 3.3-V signal to the gate-drive voltage (such as 12 V) in order to fully turn on the power device and minimize conduction losses. Traditional buffer drive circuits based on NPN and PNP bipolar transistors in totem-pole arrangement, being emitter follower configurations, prove inadequate with digital power because these circuits lack level-shifting capability. Gate drivers effectively combine both the level-shifting and buffer-drive functions. Gate drivers also satisfy other needs such as minimizing the effect of high-frequency switching noise by locating the high-current driver physically close to the power switch, driving gate-drive transformers and controlling floating power-device gates, reducing power dissipation and thermal stress in controllers by moving gate charge power losses into the controller.

Finally, emerging wide bandgap power device technologies, such as GaN based switches, which are capable of supporting very high switching frequency operation, are driving very special requirements in terms of gate drive capability. These requirements include operation at low  $V_{DD}$  voltages (5 V or lower), low propagation delays and availability in compact, low-inductance packages with good thermal capability. In summary gate-driver devices are extremely important components in switching power combining benefits of high-performance low-cost component count and board-space reduction and simplified system design.

## 7.2 Typical Application

Figure 7-1 shows the typical application of UCC27511A device when used as a gate driver for the power MOSFET in a boost-converter application (for example, AC-DC power factor correction in AC-DC chargers for electric vehicles). In this application the UCC27511A device is used in the non-inverting input configuration.



Copyright © 2018, Texas Instruments Incorporated

Figure 7-1. Typical Application in PFC Power Stage

### 7.2.1 Design Requirements

When selecting the proper gate driver device for an end application, some design considerations must be evaluated first in order to make the most appropriate selection. Among these considerations are input-to-output configuration, the input threshold type, bias supply voltage levels, peak source and sink currents, availability of independent enable and disable functions, propagation delay, power dissipation, and package type.

### 7.2.2 Detailed Design Procedure

#### 7.2.2.1 Input-to-Output Logic

The design should specify which type of input-to-output configuration should be used. If turning on the power MOSFET or IGBT when the input signal is in high state is preferred, then the non-inverting configuration must be selected. If turning off the power MOSFET or IGBT when the input signal is in high state is preferred, the inverting configuration must be chosen. The UCC27511A device can be configured in either an inverting or non-inverting input-to-output configuration using the IN– or IN+ pins respectively. To configure the device for use in inverting mode, tie the IN+ pin to  $V_{DD}$  and apply the input signal to the IN– pin. For the non-inverting configuration, tie the IN– pin to GND and apply the input signal to the IN+ pin.

#### 7.2.2.2 Input Threshold Type

The type of Input voltage threshold determines the type of controller that can be used with the gate driver device. The UCC27511A device features a TTL and CMOS-compatible input threshold logic, with wide hysteresis. The threshold voltage levels are low voltage and independent of the  $V_{DD}$  supply voltage, which allows compatibility with both logic-level input signals from microcontrollers as well as higher-voltage input signals from analog

controllers. See the [セクション 5.5](#) table for the actual input threshold voltage levels and hysteresis specifications for the UCC27511A device.

### 7.2.2.3 $V_{DD}$ Bias Supply Voltage

The bias supply voltage to be applied to the  $V_{DD}$  pin of the device should never exceed the values listed in the [セクション 5.3](#) table. However, different power switches demand different voltage levels to be applied at the gate terminals for effective turnon and turnoff. With certain power switches, a positive gate voltage may be required for turnon and a negative gate voltage may be required for turnoff, in which case the  $V_{DD}$  bias supply equals the voltage differential. With a wide operating range from 4.5 V to 18 V, the UCC27511A device can be used to drive a variety of power switches, such as Si MOSFETs (for example,  $V_{GS} = 4.5$  V, 10 V, 12 V), IGBTs ( $V_{GE} = 15$  V, 18 V), and wide-bandgap power semiconductors (such as GaN, certain types of which allow no higher than 6 V to be applied to the gate terminals).

### 7.2.2.4 Peak Source and Sink Currents

Generally, switching the speed of the power switch during turnon and turnoff should be as fast as possible in order to minimize switching power losses. The gate driver device must be able to provide the required peak current for achieving the targeted switching speeds for the targeted power MOSFET.

Using the example of a power MOSFET, the system requirement for the switching speed is typically described in terms of the slew rate of the drain-to-source voltage of the power MOSFET (such as  $dV_{DS}/dt$ ). For example, the system requirement might state that a SPP20N60C3 power MOSFET must be turned-on with a  $dV_{DS}/dt$  of 20 V/ns or higher under a DC bus voltage of 400 V in a continuous-conduction-mode (CCM) boost PFC-converter application. This type of application is an inductive hard-switching application and reducing switching power losses is critical. This requirement means that the entire drain-to-source voltage swing during power MOSFET turn-on event (from 400 V in the OFF state to  $V_{DS(on)}$  in on state) must be completed in approximately 20 ns or less. When the drain-to-source voltage swing occurs, the Miller charge of the power MOSFET ( $Q_{GD}$  parameter in SPP20N60C3 power MOSFET data sheet = 33 nC typical) is supplied by the peak current of gate driver. According to power MOSFET inductive switching mechanism, the gate-to-source voltage of the power MOSFET at this time is the Miller plateau voltage, which is typically a few volts higher than the threshold voltage of the power MOSFET,  $V_{GS(TH)}$ .

In order to achieve the targeted  $dV_{DS}/dt$ , the gate driver must be capable of providing the  $Q_{GD}$  charge in 20 ns or less. In other words a peak current of 1.65 A (= 33 nC / 20 ns) or higher must be provided by the gate driver. The UCC27511A gate driver is capable of providing 4-A peak sourcing current which clearly exceeds the design requirement and has the capability to meet the switching speed needed. The 2.4x overdrive capability provides an extra margin against part-to-part variations in the  $Q_{GD}$  parameter of the power MOSFET along with additional flexibility to insert external gate resistors and fine tune the switching speed for efficiency versus EMI optimizations.

However, in practical designs the parasitic trace inductance in the gate drive circuit of the PCB will have a definitive role to play on the power MOSFET switching speed. The effect of this trace inductance is to limit the  $di/dt$  of the output current pulse of the gate driver. In order to illustrate this, consider output current pulse waveform from the gate driver to be approximated to a triangular profile, where the area under the triangle ( $\frac{1}{2} \times I_{PEAK} \times \text{time}$ ) would equal the total gate charge of the power MOSFET ( $Q_G$  parameter in SPP20N60C3 power MOSFET datasheet = 87 nC typical). If the parasitic trace inductance limits the  $di/dt$  then a situation may occur in which the full peak current capability of the gate driver is not fully achieved in the time required to deliver the  $Q_G$  required for the power MOSFET switching. In other words the time parameter in the equation would dominate and the  $I_{PEAK}$  value of the current pulse would be much less than the true peak current capability of the device, while the required  $Q_G$  is still delivered. Because of this, the desired switching speed may not be realized, even when theoretical calculations indicate the gate driver is capable of achieving the targeted switching speed. Thus, placing the gate driver device very close to the power MOSFET and designing a tight gate drive-loop with minimal PCB trace inductance is important to realize the full peak-current capability of the gate driver.

### 7.2.2.5 Enable and Disable Function

Certain applications demand independent control of the output state of the driver without involving the input signal. A pin which offers an enable and disable function achieves this requirement. The UCC27511A device offers 2 input pins, IN+ and IN–, both of which control the state of the output as listed in [表 6-3](#). Based on whether an inverting or non-inverting input signal is provided to the driver, the appropriate input pin can be selected as the primary input for controlling the gate driver. The other *unused* input pin can be conveniently used for the enable and disable functionality. If the design does not require an enable function, the unused input pin can be tied to either the V<sub>DD</sub> pin (in case IN+ is the unused pin), or GND (in case IN– is unused pin) in order to ensure it does not affect the output status.

### 7.2.2.6 Propagation Delay

The acceptable propagation delay from the gate driver is dependent on the switching frequency at which it is used and the acceptable level of pulse distortion to the system. The UCC27511A device features industry best-in-class 13-ns (typical) propagation delays which ensures very little pulse distortion and allows operation at very high-frequencies. See the [セクション 5.6](#) table for the propagation and switching characteristics of the UCC27511A device.

### 7.2.2.7 Thermal Information

The useful range of a driver is greatly affected by the drive-power requirements of the load and the thermal characteristics of the package. In order for a gate driver to be useful over a particular temperature range the package must allow for the efficient removal of the heat produced while keeping the junction temperature within rated limits. The thermal metrics for the driver package is listed in the [セクション 5.4](#) table. For detailed information regarding the [セクション 5.4](#) table, refer to the Application Note from Texas Instruments entitled [IC Package Thermal Metrics](#).

The UCC27511A device is offered in a SOT-23, 6-pin package (DBV). [セクション 5.4](#) lists the thermal performance metrics related to SOT-23 package. The  $\psi_{JT}$  and  $\psi_{JB}$  metrics are used when estimating the die temperature during actual application measurements.

Heat removal occurs primarily through the leads of the device and the PCB traces connected to the leads.

### 7.2.2.8 Power Dissipation

Power dissipation of the gate driver has two portions as shown in 式 1.

$$P_D = P_{D(DC)} + P_{D(SW)} \quad (1)$$

where

- $P_D$  is the power dissipation
- $P_{D(DC)}$  is the DC portion of the power dissipation
- $P_{D(SW)}$  is the power dissipated in the gate-driver package during switching

Use 式 2 to calculate the DC portion of the power dissipation.

$$P_{P(DC)} = I_Q \times V_{DD} \quad (2)$$

where

- $I_Q$  is the quiescent current for the driver

The quiescent current is the current consumed by the device to bias all internal circuits such as input stage, reference voltage, logic circuits, protections, and also any current associated with switching of internal devices when the driver output changes state (such as charging and discharging of parasitic capacitances, parasitic shoot-through, and others). The UCC27511A device features very low quiescent currents (less than 1 mA, see 図 5-7) and contains internal logic to eliminate any shoot-through in the output driver stage. Thus the effect of the  $P_{D(DC)}$  on the total power dissipation within the gate driver can be assumed to be negligible.

The power dissipated in the gate-driver package during switching ( $P_{D(SW)}$ ) depends on the following factors:

- The gate charge required of the power device (usually a function of the drive voltage  $V_G$ , which is very close to input bias supply voltage  $V_{DD}$  because of low  $V_{O(H)}$  drop-out).
- The switching frequency ( $f_S$ )
- Use of external gate resistors ( $R_{(GATE)}$ )

When a driver device is tested with a discrete, capacitive load calculating the power that is required from the bias supply is fairly simple. The energy to charge the capacitor is given by 式 3.

$$E_G = \frac{1}{2} C_{(LOAD)} \times V_{DD}^2 \quad (3)$$

Where

- $C_{(LOAD)}$  is load capacitor
- $V_{DD}$  is bias voltage feeding the driver
- $E_G$  is the energy stored in the capacitor when it is charged to  $V_{DD}$

An equal amount of energy dissipates when the capacitor is charged which leads to a total power loss given by 式 4.

$$P_{tot} = C_{(LOAD)} \times V_{DD}^2 \times f_S \quad (4)$$

where

- $P_{tot}$  is the total power loss
- $f_S$  is the switching frequency

The switching load presented by a power MOSFET or IGBT is converted to an equivalent capacitance by examining the gate charge required to switch the device. This gate charge includes the effects of the input capacitance plus the added charge needed to swing the drain voltage of the power device as it switches

between the ON and OFF states. Most manufacturers provide specifications of typical and maximum gate charge, in nC, to switch the device under specified conditions. Using the gate charge,  $Q_G$ , determine the power that must be dissipated when charging a capacitor (calculated using 式 5, to provide 式 6).

$$Q_G = C_{(LOAD)} \times V_{DD} \quad (5)$$

$$P_{tot} = C_{(LOAD)} \times V_{DD}^2 \times f_S = Q_G \times V_{DD} \times f_S \quad (6)$$

This power,  $P_{tot}$ , is dissipated in the resistive elements of the circuit when the MOSFET or IGBT is being turned on or off. Half of the total power is dissipated when the load capacitor is charged during turnon, and the other half is dissipated when the load capacitor is discharged during turnoff. When no external gate resistor is employed between the driver and MOSFET or IGBT, this power is completely dissipated inside the driver package. With the use of external gate-drive resistors, the power dissipation is shared between the internal resistance of driver and external gate resistor in accordance to the ratio of the resistance (more power dissipated in the higher resistance component). Based on this simplified analysis, the driver power dissipation during switching is calculated in 式 7.

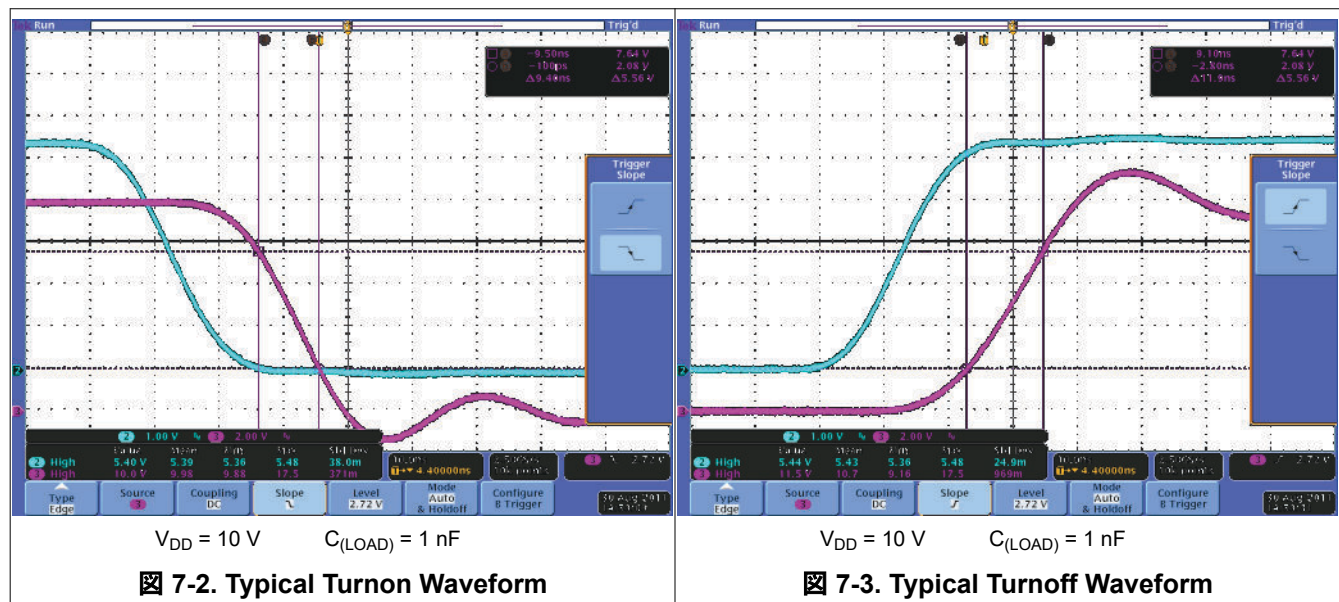
$$P_{D(SW)} = 0.5 \times Q_G \times V_{DD} \times f_S \times \left( \frac{R_{(OFF)}}{R_{(OFF)} + R_{(GATE)}} + \frac{R_{(ON)}}{R_{(ON)} + R_{(GATE)}} \right) \quad (7)$$

where

- $R_{(OFF)} = R_{O(L)}$
- $R_{(ON)}$  (effective resistance of pullup structure) =  $2.7 \times R_{O(L)}$

### 7.2.3 Application Curves

図 7-2 and 図 7-3 show the typical switching characteristics of the UCC27511A device.





## 8 Power Supply Recommendations

The bias supply voltage range for which the UCC27511A device is rated to operate is from 4.5 V to 18 V. The lower end of this range is governed by the internal undervoltage-lockout (UVLO) protection feature on the  $V_{DD}$  pin supply circuit blocks. Whenever the driver is in UVLO condition when the  $V_{DD}$  pin voltage is below the  $V_{(ON)}$  supply start threshold, this feature holds the output low, regardless of the status of the inputs. The upper end of this range is driven by the 20-V absolute maximum voltage rating of the  $V_{DD}$  pin of the device (which is a stress rating). Keeping a 2-V margin to allow for transient voltage spikes, the maximum recommended voltage for the  $V_{DD}$  pin is 18 V.

The UVLO protection feature also involves a hysteresis function. This means that when the  $V_{DD}$  pin bias voltage has exceeded the threshold voltage and device begins to operate, and if the voltage drops, then the device continues to deliver normal functionality unless the voltage drop exceeds the hysteresis specification  $V_{DD(hys)}$ . Therefore, ensuring that, while operating at or near the 4.5V range, the voltage ripple on the auxiliary power supply output is smaller than the hysteresis specification of the device is important to avoid triggering device shutdown.

During system shutdown, the device operation continues until the  $V_{DD}$  pin voltage has dropped below the  $V_{(OFF)}$  threshold which must be accounted for while evaluating system shutdown timing design requirements. Likewise, at system startup, the device does not begin operation until the  $V_{DD}$  pin voltage has exceeded above the  $V_{(ON)}$  threshold.

The quiescent current consumed by the internal circuit blocks of the device is supplied through the  $V_{DD}$  pin. Although this fact is well known, recognizing that the charge for source current pulses delivered by the OUTH pin is also supplied through the same  $V_{DD}$  pin is important. As a result, every time a current is sourced out of the output pins (OUTH), a corresponding current pulse is delivered into the device through the  $V_{DD}$  pin. Thus ensuring that local bypass capacitors are provided between the  $V_{DD}$  and GND pins and located as close to the device as possible for the purpose of decoupling is important. A low ESR, ceramic surface mount capacitor is a must. TI recommends to have 2 capacitors; a 100-nF ceramic surface-mount capacitor which can be nudged very close to the pins of the device and another surface-mount capacitor of few microfarads added in parallel.

## 9 Layout

### 9.1 Layout Guidelines

Proper PCB layout is extremely important in a high-current fast-switching circuit to provide appropriate device operation and design robustness. The UCC27511A gate driver incorporates short-propagation delays and powerful output stages capable of delivering large current peaks with very fast rise and fall times at the gate of power switch to facilitate voltage transitions very quickly. At higher  $V_{DD}$  voltages, the peak-current capability is even higher (4-A/8-A peak current is at  $V_{DD}$  equal to 12 V). Very high  $di/dt$  causes unacceptable ringing if the trace lengths and impedances are not well controlled. The following circuit-layout guidelines are strongly recommended when designing with these high-speed drivers.

- Place the driver device as close as possible to power device in order to minimize the length of high-current traces between the output pins and the gate of the power device.
- Place the  $V_{DD}$ -bypass capacitors between the  $V_{DD}$  pin and GND as close as possible to the driver with minimal trace length to improve the noise filtering. These capacitors support high-peak current being drawn from  $V_{DD}$  during turnon of power MOSFET. The use of low inductance surface-mount components such as chip resistors and chip capacitors is highly recommended.
- The turnon and turnoff current-loop paths (driver device, power MOSFET, and  $V_{DD}$  bypass capacitor) should be minimized as much as possible in order to keep the stray inductance to a minimum. High  $di/dt$  is established in these loops at two instances – during turnon and turnoff transients, which will induce significant voltage transients on the output pin of the driver device and gate of the power switch.
- Wherever possible, parallel the source and return traces, taking advantage of flux cancellation.
- Separate power traces and signal traces, such as the output and input signals.
- Minimize noise coupling from one current loop to another with star-point grounding or other techniques. The GND of the driver should be connected to the other circuit nodes such as source of power switch, ground of PWM controller, and others at one single point. The connected paths should be as short as possible to reduce inductance and be as wide as possible to reduce resistance.
- Use a ground plane to provide noise shielding. Fast rise and fall times at OUT may corrupt the input signals during transition. The ground plane must not be a conduction path for any current loop. Instead the ground plane must be connected to the star-point with one single trace to establish the ground potential. In addition to noise shielding, the ground plane can help in power dissipation as well.
- In noisy environments, tying the unused Input pin of UCC27511A device to the  $V_{DD}$  (in case of IN+) pin or GND (in case of IN-) using short traces in order to ensure that the output is enabled and to prevent noise from causing malfunction in the output may be necessary.

### 9.2 Layout Example

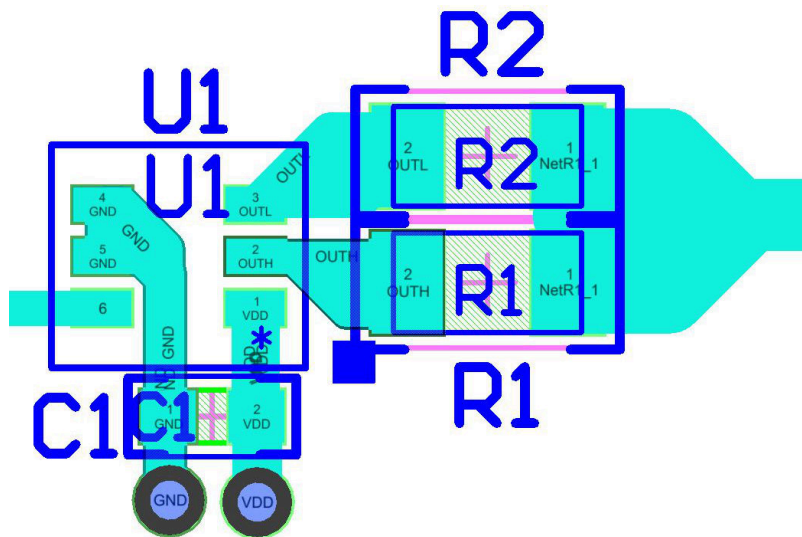


図 9-1. UCC27511A Layout Example

## 10 Device and Documentation Support

### 10.1 Device Support

#### 10.1.1 サード・パーティ製品に関する免責事項

サード・パーティ製品またはサービスに関するテキサス・インスツルメンツの出版物は、単独またはテキサス・インスツルメンツの製品、サービスと一緒に提供される場合に関係なく、サード・パーティ製品またはサービスの適合性に関する是認、サード・パーティ製品またはサービスの是認の表明を意味するものではありません。

#### 10.2 ドキュメントの更新通知を受け取る方法

ドキュメントの更新についての通知を受け取るには、[www.tij.co.jp](http://www.tij.co.jp) のデバイス製品フォルダを開いてください。[通知] をクリックして登録すると、変更されたすべての製品情報に関するダイジェストを毎週受け取ることができます。変更の詳細については、改訂されたドキュメントに含まれている改訂履歴をご覧ください。

#### 10.3 サポート・リソース

テキサス・インスツルメンツ E2E™ サポート・フォーラムは、エンジニアが検証済みの回答と設計に関するヒントをエキスパートから迅速かつ直接得ることができる場所です。既存の回答を検索したり、独自の質問をしたりすることで、設計に必要な支援を迅速に得ることができます。

リンクされているコンテンツは、各寄稿者により「現状のまま」提供されるものです。これらはテキサス・インスツルメンツの仕様を構成するものではなく、必ずしもテキサス・インスツルメンツの見解を反映したものではありません。テキサス・インスツルメンツの[使用条件](#)を参照してください。

#### 10.4 Trademarks

テキサス・インスツルメンツ E2E™ is a trademark of Texas Instruments.

すべての商標は、それぞれの所有者に帰属します。

#### 10.5 静電気放電に関する注意事項



この IC は、ESD によって破損する可能性があります。テキサス・インスツルメンツは、IC を取り扱う際には常に適切な注意を払うことを推奨します。正しい取り扱いおよび設置手順に従わない場合、デバイスを破損するおそれがあります。

ESD による破損は、わずかな性能低下からデバイスの完全な故障まで多岐にわたります。精密な IC の場合、パラメータがわずかに変化するだけで公表されている仕様から外れる可能性があるため、破損が発生しやすくなっています。

#### 10.6 用語集

[テキサス・インスツルメンツ用語集](#)

この用語集には、用語や略語の一覧および定義が記載されています。

## 11 Revision History

資料番号末尾の英字は改訂を表しています。その改訂履歴は英語版に準じています。

### Changes from Revision \* (March 2018) to Revision A (January 2024)

Page

- 「特長」の立ち上がり時間を 9ns から 8ns に変更..... 1

## 12 Mechanical, Packaging, and Orderable Information

The following pages include mechanical, packaging, and orderable information. This information is the most current data available for the designated devices. This data is subject to change without notice and revision of this document. For browser-based versions of this data sheet, refer to the left-hand navigation.

**PACKAGING INFORMATION**

Orderable part number	Status (1)	Material type (2)	Package   Pins	Package qty   Carrier	RoHS (3)	Lead finish/ Ball material (4)	MSL rating/ Peak reflow (5)	Op temp (°C)	Part marking (6)
<a href="#">UCC27511ADBVR</a>	Active	Production	SOT-23 (DBV)   6	3000   LARGE T&R	Yes	NIPDAU	Level-2-260C-1 YEAR	-40 to 140	511A
UCC27511ADBVR.A	Active	Production	SOT-23 (DBV)   6	3000   LARGE T&R	Yes	NIPDAU	Level-2-260C-1 YEAR	-40 to 140	511A
UCC27511ADBVR.B	Active	Production	SOT-23 (DBV)   6	3000   LARGE T&R	Yes	NIPDAU	Level-2-260C-1 YEAR	-40 to 140	511A
UCC27511ADBVRG4	Active	Production	SOT-23 (DBV)   6	3000   LARGE T&R	Yes	NIPDAU	Level-2-260C-1 YEAR	-40 to 140	511A
UCC27511ADBVRG4.A	Active	Production	SOT-23 (DBV)   6	3000   LARGE T&R	Yes	NIPDAU	Level-2-260C-1 YEAR	-40 to 140	511A
UCC27511ADBVRG4.B	Active	Production	SOT-23 (DBV)   6	3000   LARGE T&R	Yes	NIPDAU	Level-2-260C-1 YEAR	-40 to 140	511A
<a href="#">UCC27511ADBVT</a>	Active	Production	SOT-23 (DBV)   6	250   SMALL T&R	Yes	NIPDAU	Level-2-260C-1 YEAR	-40 to 140	511A
UCC27511ADBVT.B	Active	Production	SOT-23 (DBV)   6	250   SMALL T&R	Yes	NIPDAU	Level-2-260C-1 YEAR	-40 to 140	511A

(1) **Status:** For more details on status, see our [product life cycle](#).

(2) **Material type:** When designated, preproduction parts are prototypes/experimental devices, and are not yet approved or released for full production. Testing and final process, including without limitation quality assurance, reliability performance testing, and/or process qualification, may not yet be complete, and this item is subject to further changes or possible discontinuation. If available for ordering, purchases will be subject to an additional waiver at checkout, and are intended for early internal evaluation purposes only. These items are sold without warranties of any kind.

(3) **RoHS values:** Yes, No, RoHS Exempt. See the [TI RoHS Statement](#) for additional information and value definition.

(4) **Lead finish/Ball material:** Parts may have multiple material finish options. Finish options are separated by a vertical ruled line. Lead finish/Ball material values may wrap to two lines if the finish value exceeds the maximum column width.

(5) **MSL rating/Peak reflow:** The moisture sensitivity level ratings and peak solder (reflow) temperatures. In the event that a part has multiple moisture sensitivity ratings, only the lowest level per JEDEC standards is shown. Refer to the shipping label for the actual reflow temperature that will be used to mount the part to the printed circuit board.

(6) **Part marking:** There may be an additional marking, which relates to the logo, the lot trace code information, or the environmental category of the part.

Multiple part markings will be inside parentheses. Only one part marking contained in parentheses and separated by a "-" will appear on a part. If a line is indented then it is a continuation of the previous line and the two combined represent the entire part marking for that device.

**Important Information and Disclaimer:** The information provided on this page represents TI's knowledge and belief as of the date that it is provided. TI bases its knowledge and belief on information provided by third parties, and makes no representation or warranty as to the accuracy of such information. Efforts are underway to better integrate information from third parties. TI has taken and continues to take reasonable steps to provide representative and accurate information but may not have conducted destructive testing or chemical analysis on incoming materials and chemicals. TI and TI suppliers consider certain information to be proprietary, and thus CAS numbers and other limited information may not be available for release.

In no event shall TI's liability arising out of such information exceed the total purchase price of the TI part(s) at issue in this document sold by TI to Customer on an annual basis.

**OTHER QUALIFIED VERSIONS OF UCC27511A :**

- Automotive : [UCC27511A-Q1](#)

NOTE: Qualified Version Definitions:

- Automotive - Q100 devices qualified for high-reliability automotive applications targeting zero defects

# DBV0006A



# PACKAGE OUTLINE

SOT-23 - 1.45 mm max height

SMALL OUTLINE TRANSISTOR



4214840/G 08/2024

## NOTES:

1. All linear dimensions are in millimeters. Any dimensions in parenthesis are for reference only. Dimensioning and tolerancing per ASME Y14.5M.
2. This drawing is subject to change without notice.
3. Body dimensions do not include mold flash or protrusion. Mold flash and protrusion shall not exceed 0.25 per side.
4. Leads 1,2,3 may be wider than leads 4,5,6 for package orientation.
5. Reference JEDEC MO-178.

# EXAMPLE BOARD LAYOUT

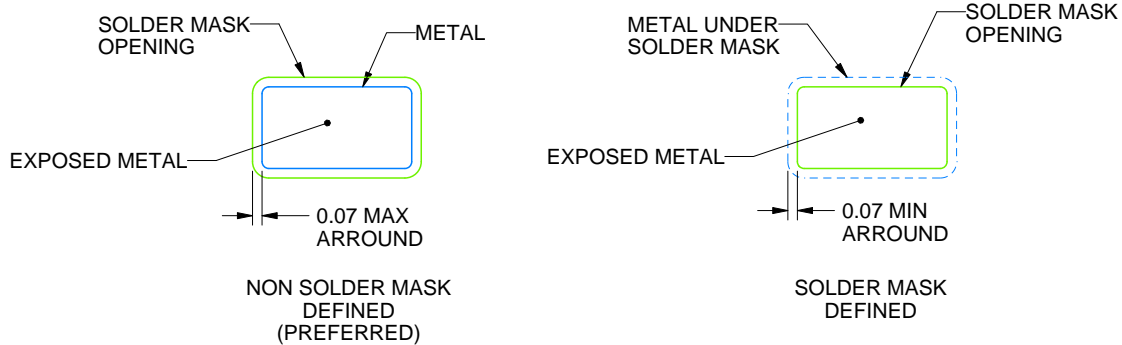
DBV0006A

SOT-23 - 1.45 mm max height

SMALL OUTLINE TRANSISTOR



LAND PATTERN EXAMPLE  
EXPOSED METAL SHOWN  
SCALE:15X



SOLDER MASK DETAILS

4214840/G 08/2024

NOTES: (continued)

6. Publication IPC-7351 may have alternate designs.
7. Solder mask tolerances between and around signal pads can vary based on board fabrication site.



# EXAMPLE STENCIL DESIGN

DBV0006A

SOT-23 - 1.45 mm max height

SMALL OUTLINE TRANSISTOR



SOLDER PASTE EXAMPLE  
BASED ON 0.125 mm THICK STENCIL  
SCALE:15X

4214840/G 08/2024

NOTES: (continued)

8. Laser cutting apertures with trapezoidal walls and rounded corners may offer better paste release. IPC-7525 may have alternate design recommendations.
9. Board assembly site may have different recommendations for stencil design.

## 重要なお知らせと免責事項

TI は、技術データと信頼性データ(データシートを含みます)、設計リソース(リファレンス デザインを含みます)、アプリケーションや設計に関する各種アドバイス、Web ツール、安全性情報、その他のリソースを、欠陥が存在する可能性のある「現状のまま」提供しており、商品性および特定目的に対する適合性の黙示保証、第三者の知的財産権の非侵害保証を含むいかなる保証も、明示的または黙示的にかかわらず拒否します。

これらのリソースは、TI 製品を使用する設計の経験を積んだ開発者への提供を意図したものです。(1) お客様のアプリケーションに適した TI 製品の選定、(2) お客様のアプリケーションの設計、検証、試験、(3) お客様のアプリケーションに該当する各種規格や、その他のあらゆる安全性、セキュリティ、規制、または他の要件への確実な適合に関する責任を、お客様のみが単独で負うものとし、

上記の各種リソースは、予告なく変更される可能性があります。これらのリソースは、リソースで説明されている TI 製品を使用するアプリケーションの開発の目的でのみ、TI はその使用をお客様に許諾します。これらのリソースに関して、他の目的で複製することや掲載することは禁止されています。TI や第三者の知的財産権のライセンスが付与されている訳ではありません。お客様は、これらのリソースを自身で使用した結果発生するあらゆる申し立て、損害、費用、損失、責任について、TI およびその代理人を完全に補償するものとし、TI は一切の責任を拒否します。

TI の製品は、[TI の販売条件](#)、[TI の総合的な品質ガイドライン](#)、[ti.com](#) または TI 製品などに関連して提供される他の適用条件に従い提供されます。TI がこれらのリソースを提供することは、適用される TI の保証または他の保証の放棄の拡大や変更を意味するものではありません。TI がカスタム、またはカスタマー仕様として明示的に指定していない限り、TI の製品は標準的なカタログに掲載される汎用機器です。

お客様がいかなる追加条項または代替条項を提案する場合も、TI はそれらに異議を唱え、拒否します。

Copyright © 2025, Texas Instruments Incorporated

最終更新日：2025 年 10 月