

TPS7H2140-SEP 耐放射線性、32V、160mΩ、クワッドチャネル eFuse

1 特長

- VID (Vendor Item Drawing) [VID V62/23610](#) が利用可能
- 累積線量 (TID) 特性評価: 30krad(Si)
 - 放射線ロット受け入れ試験 (RLAT) 特性評価: 20krad(Si)
- シングルイベント効果 (SEE) の特性評価
 - シングルイベント・ラッチアップ (SEL)、シングルイベント・バーンアウト (SEB)、シングルイベント・ゲート・ラプチャー (SEGR) における、43MeV-cm²/mg の線エネルギー付与 (LET) に対する耐性
 - シングルイベント過渡 (SET) およびシングルイベント機能割り込み (SEF) 特性評価: 43MeV-cm²/mg の実効線エネルギー付与 (LET)
- 包括的な診断機能と電流センス・アナログ出力を搭載した、クワッド・チャネル 160mΩ eFuse
- 広い動作電圧範囲: 4.5V ~ 32V
- 非常に低いスタンバイ時電流: 500nA 未満
- 高精度の電流センス:
 - $I_{LOAD} \geq 25mA$ のとき $\pm 15\%$
- 電流制限は外付け抵抗 (R_{CL}) により調整可能で、 $I_{LOAD} \geq 500mA$ のとき $\pm 15\%$ の精度を実現
- 保護
 - 電流制限 (内部または外部) による GND への短絡保護
 - ラッチオフ・オプションおよびサーマル・スイング付きのサーマル・シャットダウン機能
 - スルーレートが最適化された、誘導性負荷の負電圧クランプ
 - GND 損失および電力損失保護
- 診断
 - 過電流およびグラウンドへの短絡の検出
 - 開放負荷と電源への短絡の検出
 - グローバル・フォルト・レポートによる高速割り込み
- 熱特性強化型 28 ピン PWP パッケージ
- 宇宙向け強化プラスチック (SEP)
- 軍用温度範囲 (-55°C ~ 125°C) に対応

2 アプリケーション

- 衛星用電源システム (EPS)
- 人工衛星の電源管理および分配
- 耐放射線性を持つ電源ツリー・アプリケーション
- 電源投入と電源切断の制御に使用するスイッチング電源レールを有効化
- ソレノイド駆動

3 概要

TPS7H2140-SEP デバイスは、完全に保護されたクワッド・チャネル eFuse で、160mΩ の NMOS パワー FET が 4 つ内蔵されています。

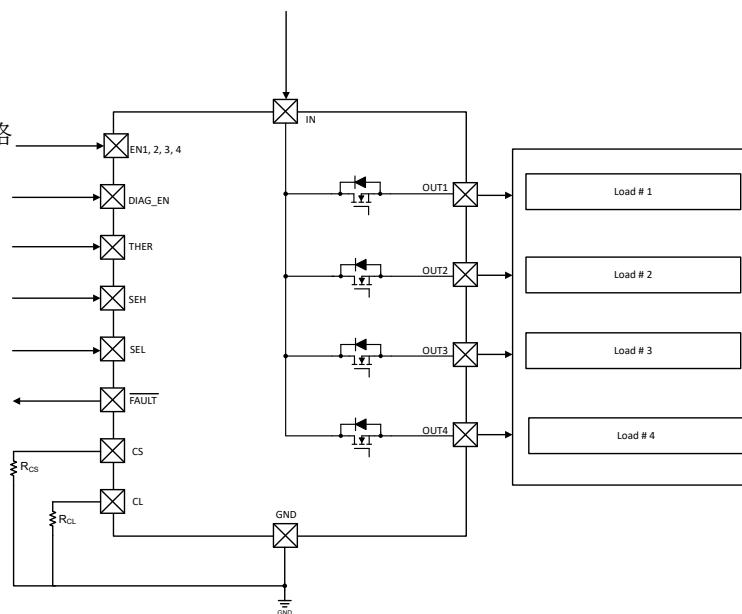
包括的な診断機能と高精度の電流検出によって、インテリジェントな負荷制御が可能です。

電流制限を外部で変更可能なため、突入電流や過負荷電流を制限し、システム全体の信頼性を向上できます。

製品情報

部品番号 ⁽¹⁾	グレード ⁽²⁾	本体サイズ ⁽⁴⁾
TPS7H2140MPWPTSEP	SEP	HTSSOP (28) 6.4mm × 9.7mm 質量 = 124mg ⁽³⁾
TPS7H2140EVM	評価モジュール	評価基板

- (1) 利用可能なすべてのパッケージについては、データシートの末尾にある注文情報を参照してください。
- (2) 部品のグレードについて詳細は、[SLYB235](#) をご覧ください。
- (3) 質量は公称値です。
- (4) 本体サイズ (長さ×幅) は公称値であり、ピンは含まれていません。



代表的なアプリケーション回路図



Table of Contents

1 特長	1	8.3 Feature Description.....	14
2 アプリケーション	1	8.4 Device Functional Modes.....	27
3 概要	1	9 Application and Implementation	29
4 Revision History	2	9.1 Application Information.....	29
5 Pin Configuration and Functions	3	9.2 Typical Application.....	29
6 Specifications	4	9.3 Power Supply Recommendations.....	31
6.1 Absolute Maximum Ratings.....	4	9.4 Layout.....	32
6.2 ESD Ratings.....	4	10 Device and Documentation Support	34
6.3 Recommended Operating Conditions.....	5	10.1 Documentation Support.....	34
6.4 Thermal Information.....	5	10.2 ドキュメントの更新通知を受け取る方法.....	34
6.5 Electrical Characteristics.....	5	10.3 サポート・リソース.....	34
6.6 Switching Characteristics.....	7	10.4 Trademarks.....	34
6.7 Typical Characteristics.....	8	10.5 静電気放電に関する注意事項.....	34
7 Parameter Measurement Information	11	10.6 用語集.....	34
8 Detailed Description	12	11 Mechanical, Packaging, and Orderable Information	34
8.1 Overview.....	12		
8.2 Functional Block Diagram.....	13		

4 Revision History

資料番号末尾の英字は改訂を表しています。その改訂履歴は英語版に準じています。

Changes from Revision * (July 2023) to Revision A (October 2023)	Page
• ドキュメントのステータスを「事前情報」から「量産データ」に変更.....	1

5 Pin Configuration and Functions

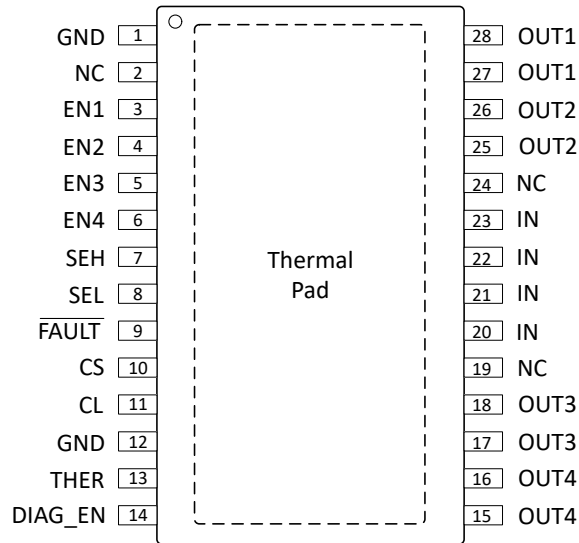


図 5-1. PWP Package
28-Pin HTSSOP With Exposed Thermal Pad
(Top View)

表 5-1. Pin Functions

PIN		I/O ⁽¹⁾	DESCRIPTION
NAME	NO.		
CL	11	O	Adjustable current limit. Connect to device GND if external current limit is not used.
CS	10	O	Current-sense output.
DIAG_EN	14	I	Enable-disable pin for diagnostics; internal pull-down.
FAULT	9	O	Global fault report with open-drain structure, ORed logic for quad-channel fault conditions.
GND	1, 12	—	Ground pin.
EN1	3	I	Input control for channel 1 activation; internal pull-down.
EN2	4	I	Input control for channel 2 activation; internal pull-down.
EN3	5	I	Input control for channel 3 activation; internal pull-down.
EN4	6	I	Input control for channel 4 activation; internal pull-down.
NC	2, 19, 24	—	No connect. This pin is not internally connected. It is recommended to connect this pin to GND to prevent charge buildup; however, this pin can also be left open or tied to any voltage between GND and IN.
SEH	7	I	CS channel-selection high bit; internal pull-down.
SEL	8	I	CS channel-selection low bit; internal pull-down.
THER	13	I	Thermal shutdown behavior control, latch off or auto-retry; internal pull-down.
OUT1	27, 28	O	Output of the channel 1 high side-switch, connected to the load.
OUT2	25, 26	O	Output of the channel 2 high side-switch, connected to the load.
OUT3	17, 18	O	Output of the channel 3 high side-switch, connected to the load.
OUT4	15, 16	O	Output of the channel 4 high side-switch, connected to the load.
IN	20, 21, 22, 23	I	Power supply.
Thermal pad	—	—	Connect to device GND or leave floating.

(1) I = Input, O = Other, — = Other

6 Specifications

6.1 Absolute Maximum Ratings

over operating free-air temperature range (unless otherwise noted) ⁽¹⁾ ⁽²⁾

		MIN	MAX	UNIT
Input voltage	IN (t < 400 ms)		48	V
	IN		35	
	Reverse polarity voltage ⁽³⁾	-36		
	ENx, DIAG_EN, SEL, SEH, and THER	-0.3	7	
	FAULT	-0.3	7	
	CS	-2.7	7	
	CL	-0.3	7	
Input and output current	ENx, DIAG_EN, SEL, SEH, and THER pins	-10		mA
	GND (t < 120 s)	-100	250	
	FAULT	-30	10	
	CS		30	
	CL		6	
Input energy	Inductive load switch-off energy dissipation, single pulse, single channel ⁽⁴⁾		40	mJ
Junction temperature	T _J	-55	150	°C
Storage temperature	T _{stg}	-65	150	

- (1) Operation outside the Absolute Maximum Ratings may cause permanent device damage. Absolute Maximum Ratings do not imply functional operation of the device at these or any other conditions beyond those listed under Recommended Operating Conditions. If used outside the Recommended Operating Conditions but within the Absolute Maximum Ratings, the device may not be fully functional, and this may affect device reliability, functionality, performance, and shorten the device lifetime.
- (2) All voltage values are with respect to GND.
- (3) Reverse polarity condition: time t < 60 s, reverse current < I_{R2}, V_{ENx} = 0 V, GND pin 1-kΩ resistor in parallel with diode.
- (4) Test condition: V_{IN} = 13.5 V, L = 8 mH, R = 0 Ω, T_J = 150°C. FR4 2s2p board, 2 × 70-μm Cu, 2 × 35-μm Cu. 600 mm² thermal pad copper area.

6.2 ESD Ratings

			VALUE	UNIT	
V _(ESD)	Electrostatic discharge	Human body model (HBM), per ANSI/ESDA/JEDEC JS-001 ⁽¹⁾	IN and VOUTx with respect to GND	±4000	V
		Human body model (HBM), per ANSI/ESDA/JEDEC JS-001 ⁽¹⁾	All pins except IN and VOUTx	±2000	
		Charged device model (CDM), per ANSI/ESDA/JEDEC JS-002, all pins ⁽²⁾	All pins	±750	

- (1) JEDEC document JEP155 states that 500-V HBM allows safe manufacturing with a standard ESD control process.
- (2) JEDEC document JEP157 states that 250-V CDM allows safe manufacturing with a standard ESD control process.

6.3 Recommended Operating Conditions

over operating free-air temperature range (unless otherwise noted) ⁽¹⁾

		MIN	MAX	UNIT
Input voltage	IN ⁽¹⁾	4.5	32	V
	ENx, DIAG_EN, SEL, SEH, and THER	0	5	
	FAULT	0	5	
Output current	OUTx ⁽³⁾	0	1.35	A
Ambient temperature	T _A	-55	125	°C

- (1) All voltage values are with respect to GND.
 (2) Transients up to the absolute maximum is allowed.
 (3) All channel on.

6.4 Thermal Information

THERMAL METRIC ⁽¹⁾		TPS7H2140-SEP	UNIT
		HTSSOP (PWP)	
		28 PINS	
R _{θJA}	Junction-to-ambient thermal resistance	27	°C/W
R _{θJC(top)}	Junction-to-case (top) thermal resistance	20.3	
R _{θJB}	Junction-to-board thermal resistance	8	
ψ _{JT}	Junction-to-top characterization parameter	0.2	
ψ _{JB}	Junction-to-board characterization parameter	8	
R _{θJC(bot)}	Junction-to-case (bottom) thermal resistance	1.1	

- (1) For more information about traditional and new thermal metrics, see the *IC Package Thermal Metrics* application report, [SPRA953](#).

6.5 Electrical Characteristics

over 4.5 V ≤ V_{IN} ≤ 32 V, temperature range (-55°C ≤ T_A ≤ 125°C), unless otherwise specified ⁽¹⁾

PARAMETER		TEST CONDITIONS	MIN	TYP	MAX	UNIT
OPERATING VOLTAGE						
IN _{UVLOR}	Internal V _{IN} UVLO rising		3.5	3.7	4	V
IN _{UVLOF}	Internal V _{IN} UVLO falling		3	3.2	3.4	
HYST _{IN-UVLO}	Internal V _{IN} UVLO hysteresis			0.5		
OPERATING CURRENT						
I _Q	Quiescent current with diagnostics disabled	ENx = 5 V, DIAG_EN = 0 V, I _{OUTx} = 0 A, current limit = 2 A, all channels on			7.0	mA
I _{Q_DIAG}	Quiescent current with diagnostics enabled	ENx = DIAG_EN = 5 V, I _{OUTx} = 0 A, current limit = 2 A, all channels on			6.2	
I _{SD}	Shutdown current with diagnostics disabled	ENx = DIAG_EN = OUTx = THER = 0 V			0.5	μA
					5	
I _{SD_DIAG}	Shutdown current with diagnostic enabled	ENx = 0 V, DIAG_EN = 5 V, V _{IN} - V _{OUTx} < V _{OL_OFF} , not in open-load mode			5	mA
t _{LOW_OFF}	ENx signal low time during cycling	ENx from high to low, if elapsed time > t _{LOW_OFF} , the device enters into standby mode	10	12.5	15	ms
I _F	IN to OUTx forward leakage current	ENx = DIAG_EN = OUTx = 0			0.5	μA
		ENx = DIAG_EN = OUTx = 0			8	

6.5 Electrical Characteristics (続き)

over $4.5\text{ V} \leq V_{IN} \leq 32\text{ V}$, temperature range $(-55^\circ\text{C} \leq T_A \leq 125^\circ\text{C})$, unless otherwise specified ⁽¹⁾

PARAMETER		TEST CONDITIONS		MIN	TYP	MAX	UNIT
POWER STAGE							
R _{ON}	On-state resistance	T _A = 25°C		165			mΩ
		T _A = 125°C		280			
ΔR _{ON}	Percentage Difference in On-state resistance between channels (R _{ON_CHX} – R _{ON_CHY})	T _A = 25°C		6%			
I _{CL_INTERNAL}	Internal current limit	Internal current limit value, CL pin connected to GND		11			A
I _{CL_INTERNAL_TSD}	Current limit during thermal shutdown	Internal current limit value under thermal shutdown		6.5			
I _{CL_TSD}	Current limit during thermal shutdown	External current limit value under thermal shutdown. The percentage of the external current limit setting value		70%			
V _{DS_CLAMP}	Source-to-drain body diode voltage			50	70		V
OUTPUT DIODE CHARACTERISTICS							
V _F	Drain-source diode voltage	EN _X = 0, I _{OUTX} = –0.15 A.		0.3	0.7	0.9	V
I _{R1}	Continuous reverse current from source to drain	t < 60 s, V _{IN} = 24 V, EN _X = 0 V. Single channel reversed current to supply		T _A = 25°C		2.5	A
I _{R2}	Continuous reverse current from source to drain	t < 60 s, V _{IN} = 24 V, EN _X = 0 V. GND pin 1-kΩ resistor in parallel with diode. Reverse-current condition, All channels reversed		T _A = 25°C		2.0	
LOGIC INPUT (EN_X, DIAG_EN, SEL, SEH, THER)							
V _{IH}	Logic high-level voltage			2			V
V _{IL}	Logic low-level voltage			0.8			
R _{PULL_DOWN}	Logic-pin pulldown resistor	V _{IN} = V _{DIAG_EN} = 5 V		200	275	350	kΩ
		V _{IN} = V _{ENX} = V _{SEL} = V _{SEH} = V _{THER} = 5 V		100	175	250	
DIAGNOSTICS							
I _{GND_LOSS}	Output leakage current under GND loss condition			100			μA
V _{OL_OFF}	Open load detection threshold	V _{ENX} = 0 V, when V _{IN} – V _{OUTX} > V _{OL_OFF} . Duration longer than t _{OL_OFF} , then open load is detected, off state.		1.6		2.6	V
t _{OL_OFF}	Open-load detection threshold deglitch time	V _{ENX} = 0 V, when V _{IN} – V _{OUTX} > V _{OL_OFF} . Duration longer than t _{OL_OFF} , then open load is detected, off state		300	550	800	μs
I _{OL_OFF}	Off-state output sink current	V _{ENX} = 0 V, V _{DIAG_EN} = 5 V, V _{IN} – V _{OUTX} = 24 V, open load		T _A = 125°C		100	μA
V _{OL_FAULT}	Fault low-output voltage	I _{FAULT} = 2 mA		0.2			V
t _{CL_DEGLITCH}	Deglitch time when current limit occurs	EN _X = DIAG_EN = 5 V. The deglitch time from current limit event to FAULT = Low and V _{CS_FAULT}		220			μs
T _{SD}	Thermal shutdown threshold			160	175		°C
T _{SD_RST}	Thermal shutdown status reset threshold			155			
T _{sw}	Thermal swing shutdown threshold			60			
T _{HYS}	Hysteresis for resetting the thermal shutdown or thermal swing			10			
CURRENT SENSE AND CURRENT LIMIT							
K _{CS}	Current sense ratio			300			
K _{CL}	Current limit ratio			2500			
V _{CL_TH}	Current limit internal threshold voltage ⁽³⁾			0.8			V
dK _{CS} / K _{CS}	Current sense accuracy, (I _{CS} × K _{CS} – I _{OUT}) / I _{OUT} × 100	V _{IN} = 13.5 V, I _{OUTX} ≥ 5 mA		–65%		65%	
dK _{CS} / K _{CS}		V _{IN} = 13.5 V, I _{OUTX} ≥ 25 mA		–15%		15%	
dK _{CS} / K _{CS}		V _{IN} = 13.5 V, I _{OUTX} ≥ 50 mA		–8%		8%	
dK _{CS} / K _{CS}		V _{IN} = 13.5 V, I _{OUTX} ≥ 100 mA		–4%		4%	

6.5 Electrical Characteristics (続き)

over $4.5\text{ V} \leq V_{IN} \leq 32\text{ V}$, temperature range ($-55^\circ\text{C} \leq T_A \leq 125^\circ\text{C}$), unless otherwise specified ⁽¹⁾

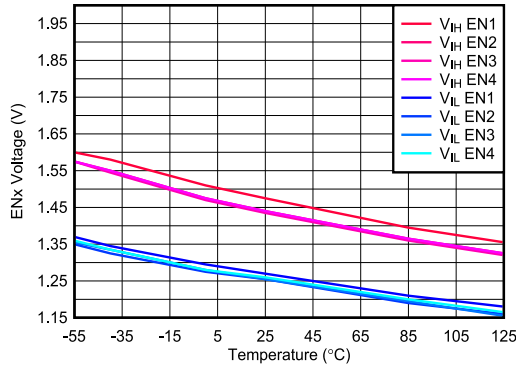
PARAMETER		TEST CONDITIONS	MIN	TYP	MAX	UNIT
dK _{CL} / K _{CL}	External current limit accuracy, $(I_{OUTX} - I_{CL} \times K_{CL}) \times 100 / (I_{CL} \times K_{CL})$	$V_{IN} = 13.5\text{ V}$, $I_{LIMIT} \geq 250\text{ mA}$	-20%		20%	
		$V_{IN} = 13.5\text{ V}$, $2\text{ A} \leq I_{LIMIT} \leq 4\text{ A}$	-15%		15%	
V _{CS_LINEAR}	Current-sense voltage linear range	$V_{IN} \geq 6.5\text{ V}$	0		4	V
		$5\text{ V} \leq V_{IN} < 6.5\text{ V}$	0		$V_{IN} - 2.5$	
I _{OUTX_LINEAR}	Output-current linear range	$V_{IN} \geq 6.5\text{ V}$, $V_{CS_LINEAR} \leq 4\text{ V}$	0		2.5	A
		$5\text{ V} \leq V_{IN} < 6.5\text{ V}$, $V_{CS_LINEAR} \leq V_{IN} - 2.5\text{ V}$	0		2.5	
V _{CS_FAULT}	Current sense pin output voltage	$V_{IN} \geq 7\text{ V}$, FAULT mode	4.5		6.5	V
		$5\text{ V} \leq V_{IN} < 7\text{ V}$, FAULT mode	Min($V_{IN} - 2.3$, 4.5)		6.5	
I _{CS_FAULT}	Current-sense pin output current available in fault mode	$V_{CS} = 4.5\text{ V}$, $V_{IN} > 7\text{ V}$	15			mA
I _{CS_LEAK}	Current-sense leakage current in disabled mode	$V_{DIAG_EN} = 0\text{ V}$				$T_A = 125^\circ\text{C}$ 0.5 μA

- (1) All voltage values are with respect to GND.
(2) V_{CL_TH} tolerance is included in the dK_{CL} / K_{CL} tolerance.

6.6 Switching Characteristics

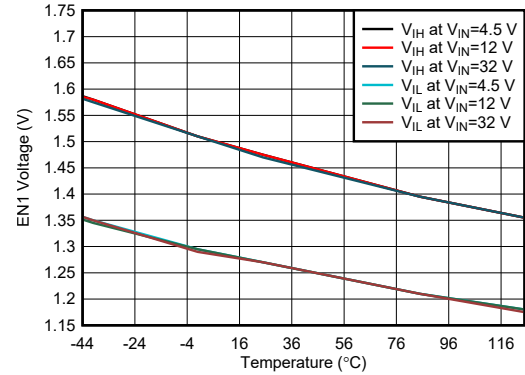
PARAMETER		TEST CONDITIONS	MIN	TYP	MAX	UNIT
POWER STAGE						
t _{ON}	Turn-on delay time	$V_{IN} = 13.5\text{ V}$, $V_{DIAG_EN} = 5\text{ V}$, $I_{OUTX} = 500\text{ mA}$, from ENx rising edge to 10% of V _{OUTX}	20	50	90	μs
t _{OFF}	Turn-off delay time	$V_{IN} = 13.5\text{ V}$, $V_{DIAG_EN} = 5\text{ V}$, $I_{OUTX} = 500\text{ mA}$, from ENx falling edge to 90% of V _{OUTX}	20	50	90	
t _{RISE}	Channel turn-on time	$V_{IN} = 13.5\text{ V}$, $V_{DIAG_EN} = 5\text{ V}$, $I_{OUTX} = 500\text{ mA}$, from 50% of ENx to 90% of V _{OUTX}	66	88	125	
t _{FALL}	Channel turn-off time	$V_{IN} = 13.5\text{ V}$, $V_{DIAG_EN} = 5\text{ V}$, $I_{OUTX} = 500\text{ mA}$, from 50% of ENx to 10% of V _{OUTX}	66	88	125	
t _{MATCH}	t _{RISE} - t _{FALL}	$V_{IN} = 13.5\text{ V}$, $I_{OUT} = 500\text{ mA}$. t _{RISE} is the ENx rising edge to V _{OUTX} = 90%. t _{FALL} is the ENx falling edge to V _{OUTX} = 10%.	-50		50	
SR _{ON}	Turn-on slew rate	$V_{IN} = 13.5\text{ V}$, $V_{DIAG_EN} = 5\text{ V}$, $I_{OUTX} = 500\text{ mA}$, from ENx rising edge to 10% of V _{OUTX}	0.1	0.3	0.55	V/μs
SR _{OFF}	Turn-off slew rate	$V_{IN} = 13.5\text{ V}$, $V_{DIAG_EN} = 5\text{ V}$, $I_{OUTX} = 500\text{ mA}$, from ENx falling edge to 90% of V _{OUTX}	0.1	0.3	0.55	
CURRENT SENSE						
t _{CS_OFF1}	CS settling time from DIAG_EN disabled	$V_{IN} = 13.5\text{ V}$, $V_{ENX} = 5\text{ V}$, $I_{OUTX} = 500\text{ mA}$. Current Limit = 2 A. From V _{DIAG_EN} falling edge to 10% of V _{CS} .			20	μs
t _{CS_ON1}	CS settling time from DIAG_EN enabled	$V_{IN} = 13.5\text{ V}$, $V_{ENX} = 5\text{ V}$, $I_{OUTX} = 500\text{ mA}$. Current Limit = 2 A. From V _{DIAG_EN} rising edge to 90% of V _{CS} .			20	
t _{CS_OFF2}	CS settling time from IN falling edge	$V_{IN} = 13.5\text{ V}$, $V_{ENX} = 5\text{ V}$, $I_{OUTX} = 500\text{ mA}$. Current Limit = 2 A. From V _{ENX} falling edge to 10% of V _{CS} .	30		100	
t _{CS_ON2}	CS settling time from IN rising edge	$V_{IN} = 13.5\text{ V}$, $V_{ENX} = 5\text{ V}$, $I_{OUTX} = 500\text{ mA}$. Current Limit = 2 A. From V _{ENX} rising edge to 90% of V _{CS} .	50		150	
t _{MUX}	Multi-sense transition delay from channel to channel	$V_{DIAG_EN} = 5\text{ V}$, current sense output delay when multi-sense pins SEL and SEH transition from channel to channel			50	

6.7 Typical Characteristics

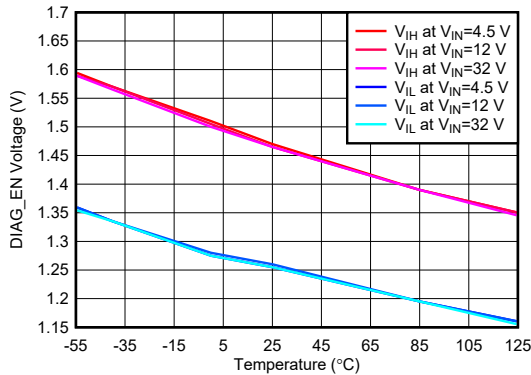


$V_{IN} = 12\text{ V}$

6-1. ENx Voltage Threshold

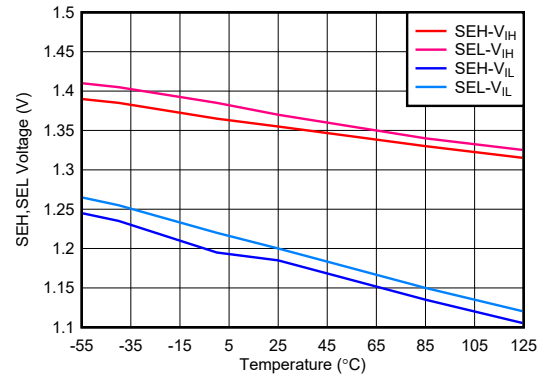


6-2. EN1 Voltage Threshold vs V_{IN}



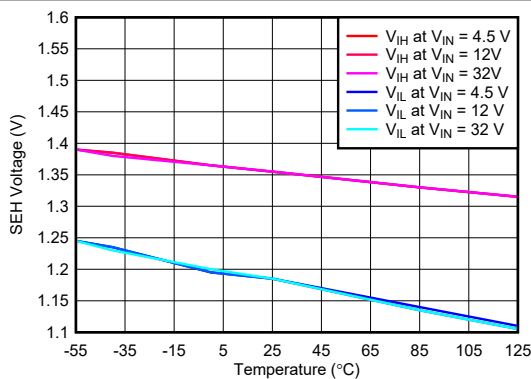
$V_{IN} = 12\text{ V}$

6-3. DIAG_EN Voltage Threshold

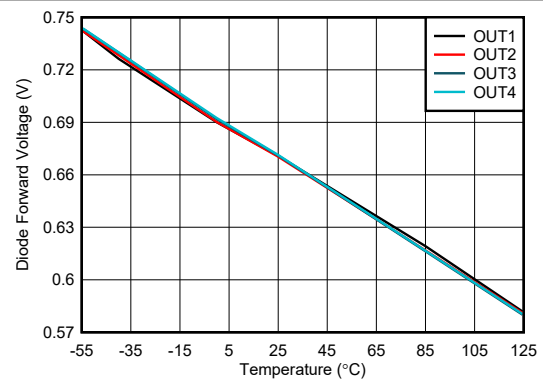


$V_{IN} = 12\text{ V}$

6-4. SEH,SEL Voltage Threshold



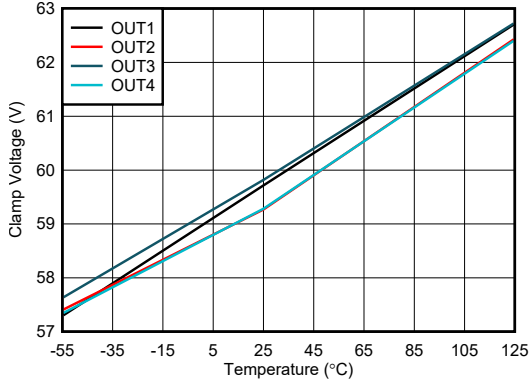
6-5. SEH Voltage Threshold vs V_{IN}



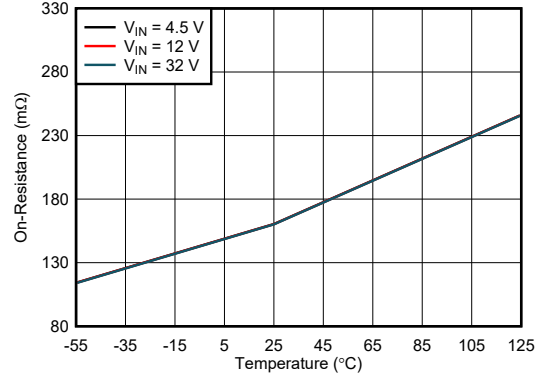
$I_{Fx} = 150\text{ mA}$

6-6. Body-Diode Forward Voltage

6.7 Typical Characteristics (continued)

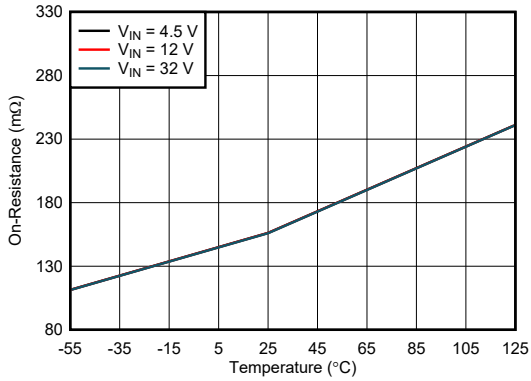


6-7. Drain-to-Source Clamp Voltage



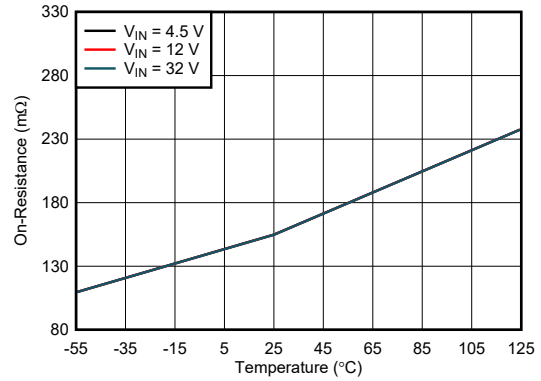
$I_{OUT1} = 490 \text{ mA}$

6-8. Channel-1 FET On-Resistance



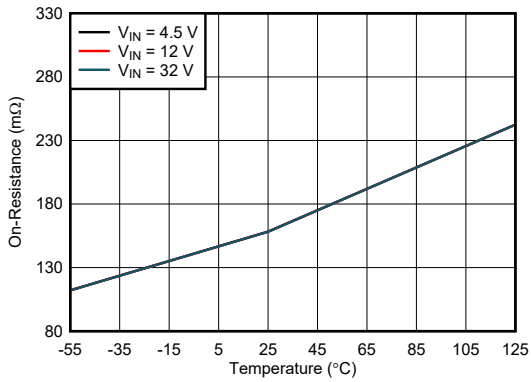
$I_{OUT2} = 490 \text{ mA}$

6-9. Channel-2 FET On-Resistance



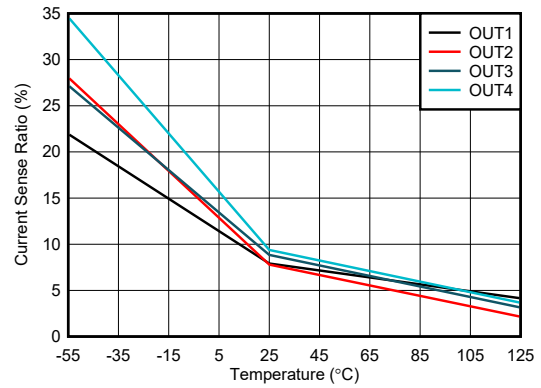
$I_{OUT3} = 490 \text{ mA}$

6-10. Channel-3 FET On-Resistance



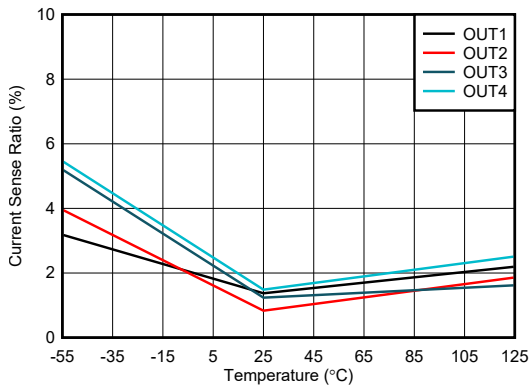
$I_{OUT4} = 490 \text{ mA}$

6-11. Channel-4 FET On-Resistance

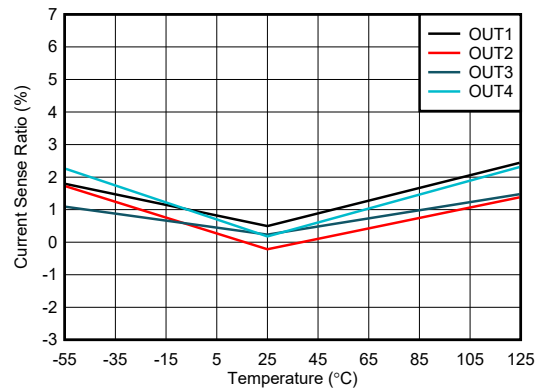


6-12. Current-Sense Ratio at 5 mA

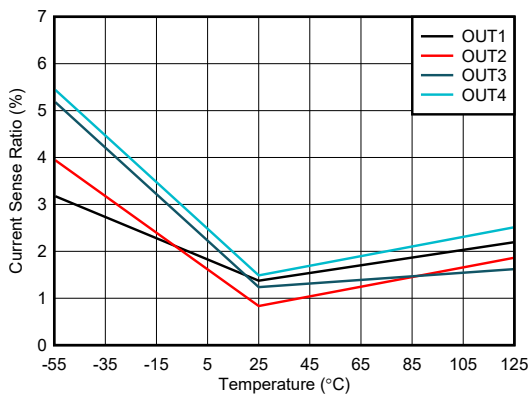
6.7 Typical Characteristics (continued)



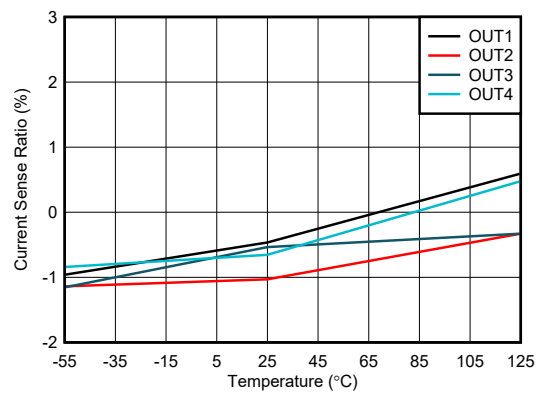
6-13. Current-Sense Ratio at 25 mA



6-14. Current-Sense Ratio at 50 mA

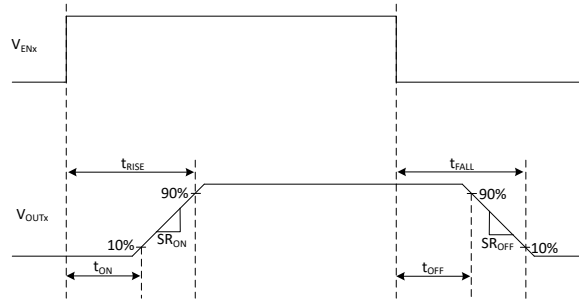


6-15. Current-Sense Ratio at 100 mA

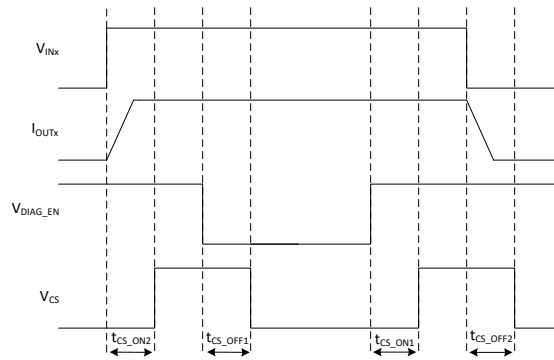


6-16. Current-Sense Ratio at 500 mA

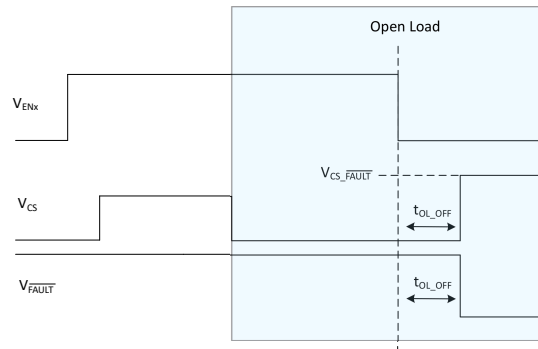
7 Parameter Measurement Information



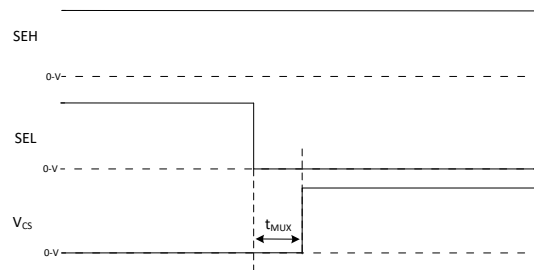
☒ 7-1. Output Delay Characteristics



☒ 7-2. CS Delay Characteristics



☒ 7-3. Open-Load Blanking-Time Characteristics



☒ 7-4. Multi-sense Transition Delay

8 Detailed Description

8.1 Overview

The TPS7H2140-SEP device is a eFuse, with internal charge pump and quad-channel integrated NMOS power FETs. Full diagnostics and high-accuracy current-sense features enable intelligent control of the load. The adjustable current-limit function greatly improves the reliability of whole system. The device includes diagnostic reporting, which includes an global open-drain digital output and the current-sense analog output.

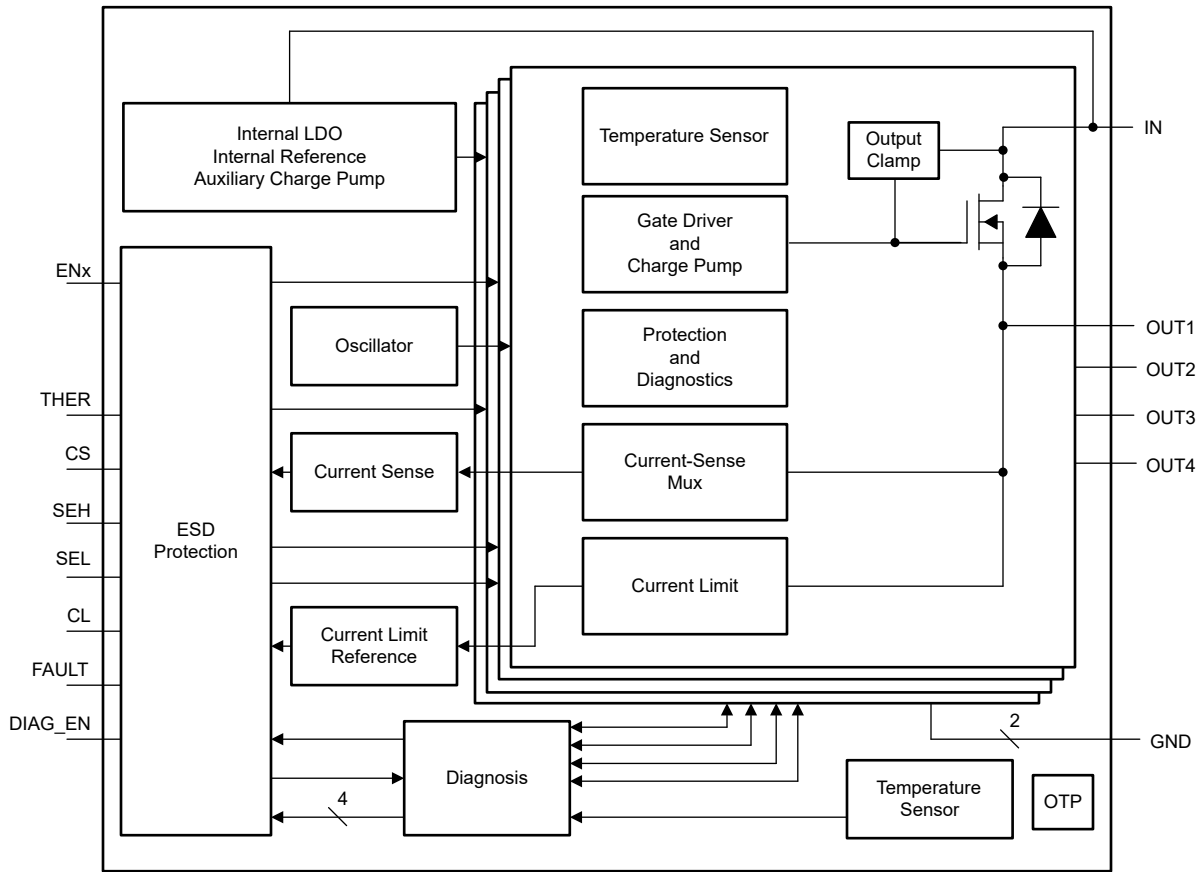
High-accuracy current sense makes the diagnostics more accurate without further calibration. One integrated current mirror can source $1 / K_{CS}$ of the load current. The mirrored current flows into the CS-pin resistor to become a voltage signal. K_{CS} is a constant value (300) across temperature and supply voltage. A wide linear region from 0 V to 4 V allows a better real-time load-current monitoring. The CS pin can also report a fault with pullup voltage of V_{CS_FAULT} .

The external high-accuracy current limit allows setting the current-limit value by applications. When overcurrent occurs, the device improves system reliability by clamping the inrush current effectively. The device can also save system area by reducing the size of PCB traces and connectors, and the capacity of the preceding power stage. Additional, the device also implements an internal current limit ($I_{CL_INTERNAL}$) with a fixed value, between 8 to 14 A.

For inductive loads (relays, solenoids, valves), the device implements an active clamp between drain and source to protect itself. During the inductive switching-off cycle, both the energy of the power supply and the load are dissipated on the high-side switch. The device also optimizes the switching-off slew rate when the clamp is active, which helps the system design by keeping the effects of transient power and EMI to a minimum.

The TPS7H2140-SEP device is a eFuse for a wide variety of resistive, inductive, and capacitive loads, including: relays, solenoids, heaters, and sub-modules.

8.2 Functional Block Diagram



8.3 Feature Description

8.3.1 Pin Current and Voltage Conventions

For reference purposes throughout the data sheet, current directions on their respective pins are as shown by the arrows in [Figure 8-1](#). All voltages are measured relative to the ground plane.

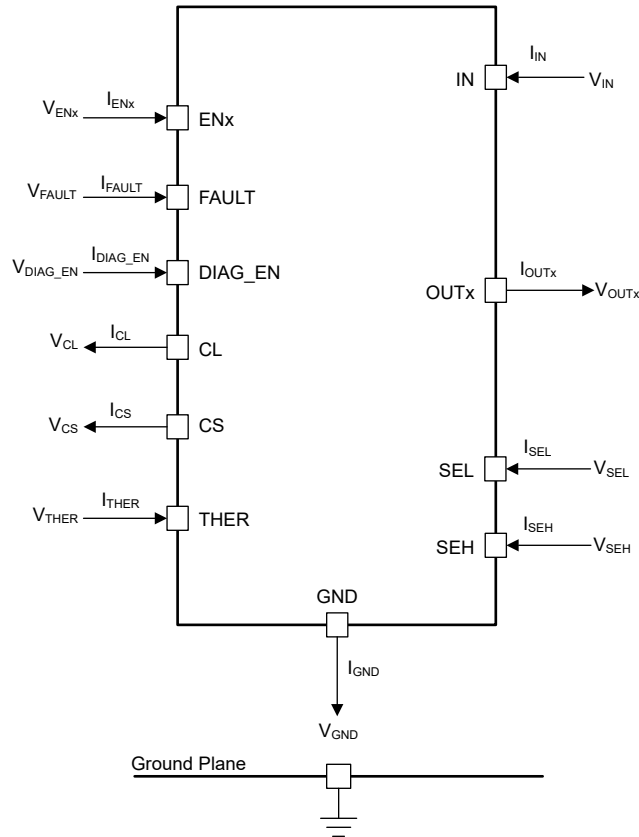


Figure 8-1. Voltage and Current Conventions

8.3.2 Accurate Current Sense

High-accuracy current sense is implemented in the TPS7H2140-SEP. It allows a better real-time monitoring effect and more-accurate diagnostics without further calibration.

The integrated current mirror sources a ratio of the load current as: $1 / K_{CS}$ (where: $K_{CS} = 300$). This mirrored current flows into the external current sense resistor to become a voltage signal. The current mirror is shared by the four channels. Channel selection is accomplished by using the multiplexer digital inputs (SEL and SEH). I_{CS} can be calculated using [Equation 1](#).

$$I_{CS} = \frac{I_{OUTx}}{K_{CS}} = \frac{I_{OUTx}}{300} \quad (1)$$

K_{CS} is the ratio of the output current and the sense current (CS). It is a constant value across the temperature and supply voltage (IN). Each device is calibrated accurately during production, so post-calibration is not required. See [Figure 8-2](#) for more details.

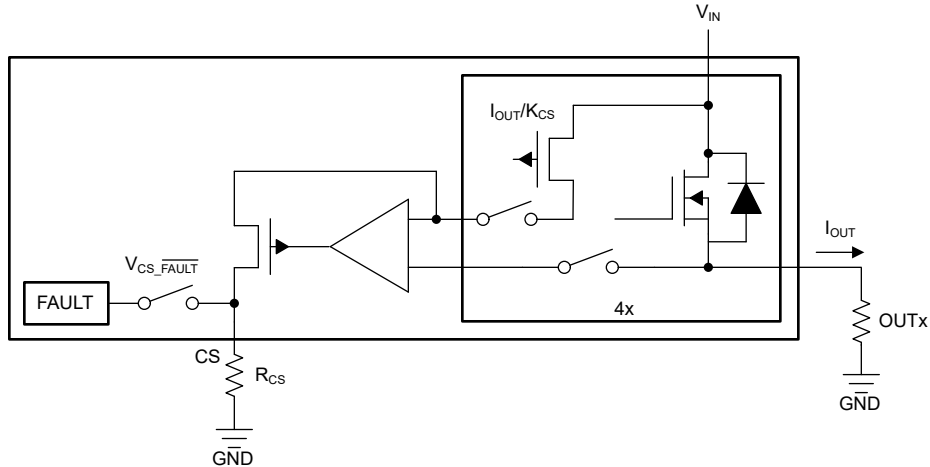


図 8-2. Current-Sense Block Diagram

When a fault occurs, the CS pin also works as a fault report with a pullup voltage of V_{CS_FAULT} . During a fault the maximum available current in CS is I_{CS_FAULT} (15 mA). See 図 8-3 for more details.

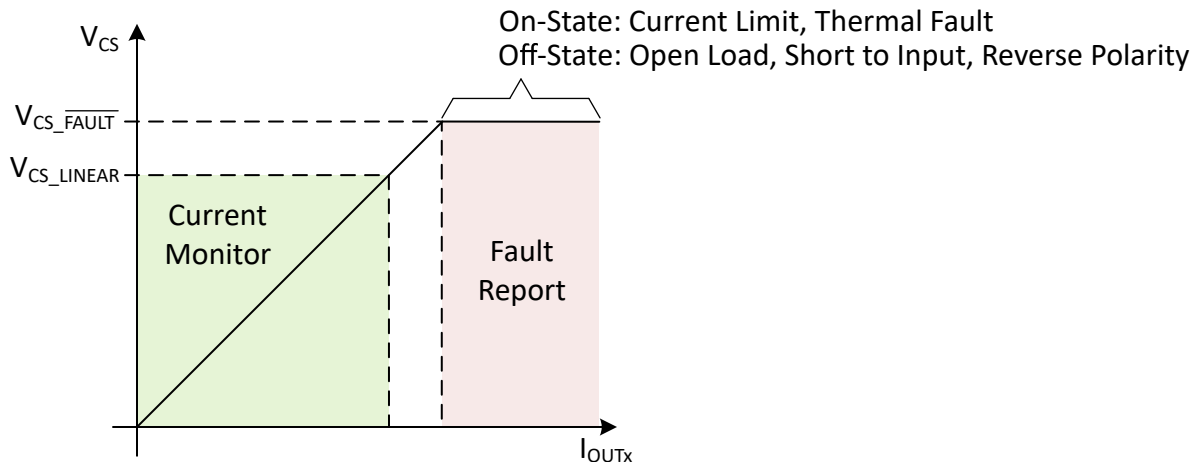


図 8-3. Current-Sense Output-Voltage Curve

Use 式 2 to calculate R_{CS} .

$$R_{CS} = \frac{V_{CS}}{I_{CS}} = \frac{V_{CS} \times K_{CS}}{I_{OUTx}} \quad (2)$$

Take the following points into consideration when calculating R_{CS} .

- Ensure V_{CS} is within the current-sense linear region (V_{CS_LINEAR} , I_{OUTx_LINEAR}) across the full range of the load current. Check R_{CS} with 式 3.

$$R_{CS} = \frac{V_{CS}}{I_{CS}} \leq \frac{V_{CS_LINEAR(MAX)} \times K_{CS}}{I_{OUTx(MAX)}} \quad (3)$$

- In fault mode, ensure I_{CS} is within the source capacity of the CS pin (I_{CS_FAULT}). Check R_{CS} with 式 4 .

$$R_{CS} = \frac{V_{CS}}{I_{CS}} \geq \frac{V_{CS_FAULT(MAX)}}{I_{CS_FAULT(MIN)}} \quad (4)$$

8.3.3 Adjustable Current Limit

A high-accuracy current limit allows high reliability of the design. It protects the load and the power supply from overstressing during short-circuit-to-GND or power-up conditions. The current limit can also save system cost by reducing the size of PCB traces and connectors, and the capacity of the preceding power stage.

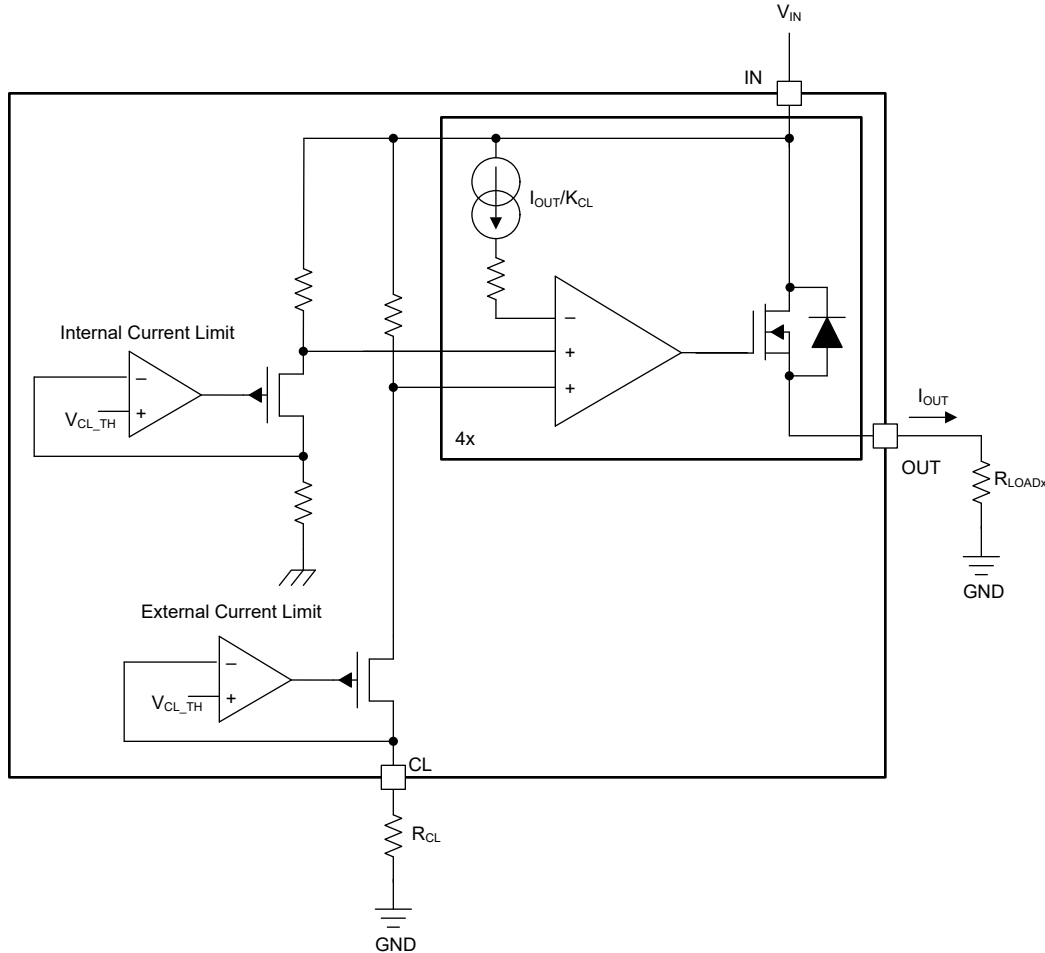
When a current-limit threshold is hit, a closed loop activates immediately. The output current is clamped at the set value, and a fault is reported out. The device heats up due to the high power dissipation on the power FET. If thermal shutdown occurs, the current limit is set to I_{CL_TSD} (if set externally) or $I_{CL_INTERNAL_TSD}$ (when using internal) to reduce the power dissipation on the power FET. See [Figure 8-4](#) for more details.

The device has two current-limit thresholds.

- **Internal current limit** – The internal current limit is fixed at $I_{CL_INTERNAL}$, typically 11 A. Tie the CL pin directly to the device GND for large-transient-current applications.
- **External adjustable current limit** – An external resistor is used to set the current-limit threshold. Use the [Equation 5](#) and [Equation 6](#) to calculate the R_{CL} . V_{CL_TH} (0.8 V) is the internal band-gap voltage. K_{CL} (2500) is the ratio of the output current and the current-limit set value. It is constant across the temperature and supply voltage. The external adjustable current limit allows the flexibility to set the current limit value by applications.

$$I_{CL} = \frac{V_{CL_TH}}{R_{CL}} = \frac{I_{OUT}}{K_{CL}} \quad (5)$$

$$R_{CL} = \frac{V_{CL_TH} \times K_{CL}}{I_{OUT}} \quad (6)$$



8-4. Current-Limit Block Diagram

Note that if using a GND network which causes a level shift between the device GND and board GND, the CL pin must be connected with device GND.

For better protection from a hard short-to-GND condition (when the EN_x pins are enabled, a short to GND occurs suddenly), the device implements a fast-trip protection to turn off the related channel before the current-limit closed loop is set up. The fast-trip response time is less than 1 μs, typically. With this fast response, the device can achieve better inrush current-suppression performance.

8.3.4 Inductive-Load Switching-Off Clamp

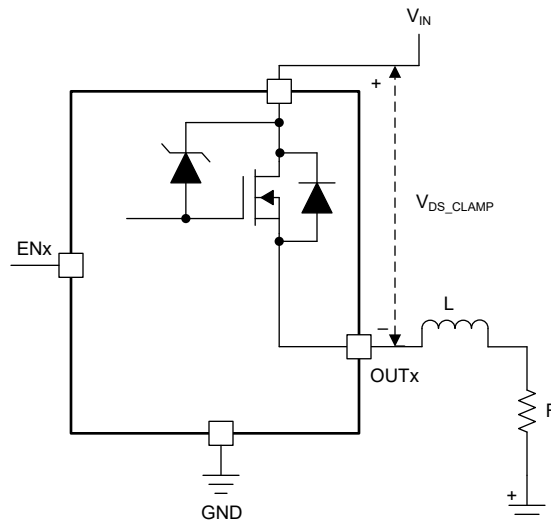
When switching an inductive load off, the inductive reactance tends to pull the output voltage negative. Excessive negative voltage could cause the power FET to break down. To protect the power FET, an internal clamp between drain and source is internally implemented, namely V_{DS_CLAMP}.

$$V_{DS_CLAMP} = V_{IN} - V_{OUTx} \quad (7)$$

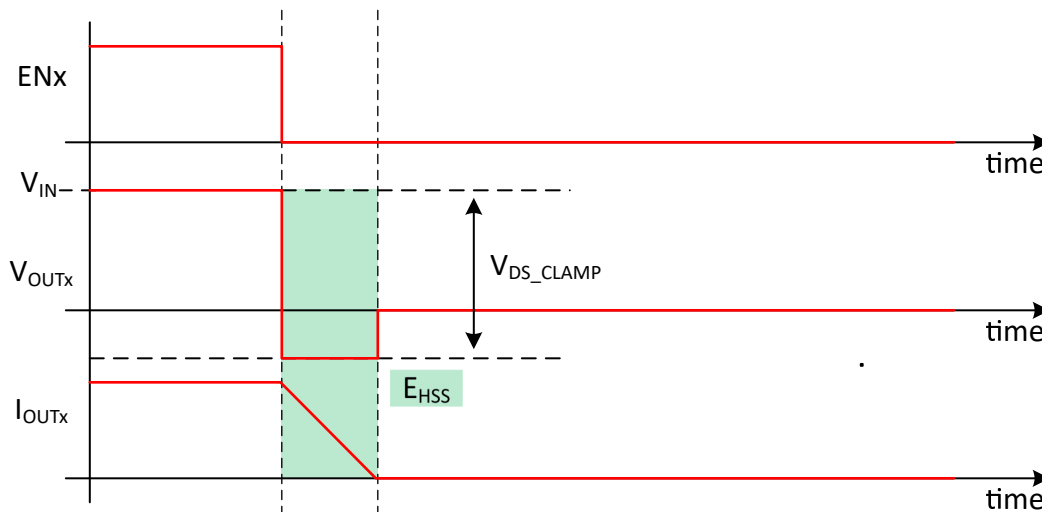
During the period of demagnetization (t_{decay}), the power FET is turned on for inductance-energy dissipation. The total energy is dissipated in the high-side switch (E_{HSS}). Total energy includes the energy of the power supply (E_{IN}) and the energy of the load (E_{LOAD}). If resistance is in series with inductance, some of the load energy is dissipated on the resistance (E_R) and the inductor itself (E_L).

$$E_{HSS} = E_{IN} + E_{LOAD} = E_{IN} + E_L + E_R \quad (8)$$

When an inductive load switches off, E_{HSS} causes high thermal stressing on the device. The upper limit of the power dissipation depends on the device intrinsic capacity, ambient temperature, and board dissipation condition.



8-5. Drain-to-Source Clamping Structure



8-6. Inductive Load Switching-Off Diagram

From the perspective of the high-side switch, E_{HSS} equals the integration value during the demagnetization period.

$$E_{HSSx} = \int_0^{t_{DECAYx}} V_{DS_CLAMP} \times I_{OUTx}(t) dt \tag{9}$$

$$t_{DECAYx} = \frac{L}{R} \times \ln\left(\frac{R \times I_{OUT(MAX)} + |V_{OUT}|}{|V_{OUT}|}\right) \tag{10}$$

$$E_{HSSx} = L \times \frac{V_{IN} + |V_{OUT}|}{R^2} \times \left\{ (R \times I_{OUT(MAX)}) - \left[|V_{OUT}| \times \ln\left(\frac{R \times I_{OUT(MAX)} + |V_{OUT}|}{|V_{OUT}|}\right) \right] \right\} \tag{11}$$

When R approximately equals 0, E_{HSS} can be given simply as:

$$E_{HSSx} = \frac{1}{2} \times L \times I_{OUT(MAX)}^2 \times \left[\frac{(V_{IN} + |V_{OUT}|)}{|V_{OUT}|} \right] \quad (12)$$

Figure 8-7 is a waveform of the device driving an inductive load and dissipating 40 mJ of energy across the NMOS pass-element (across IN and OUT1) during the inductive kick-back. The energy was controlled by turning off the channel # 1 at 2.8 (at I_{OUT1}).

The displayed signal definitions are shown in [Scope Signals Description](#)

表 8-1. Scope Signals Description

Channel #	Name of the Signal	Signal Color
1	V _{EN1}	Blue
2	V _{IN}	Red
3	V _{OUT1}	Green
4	I _{OUT1}	Magenta
Math	E _{HSS1}	Cyan

The device also optimizes the switching-off slew rate when the clamp is active. This optimization can help the system design by keeping the effects of transient power and EMI to a minimum.



Figure 8-7. Inductive Load Switching-Off Waveform of 40mJ

A. The nominal inductor value use for this waveform is 8mH.

Note that for PWM-controlled inductive loads, it is recommended to add the external freewheeling circuitry shown in Figure 8-8 to protect the device from repetitive power stressing. TVS is used to achieve the fast decay. See Figure 8-8 for more details.

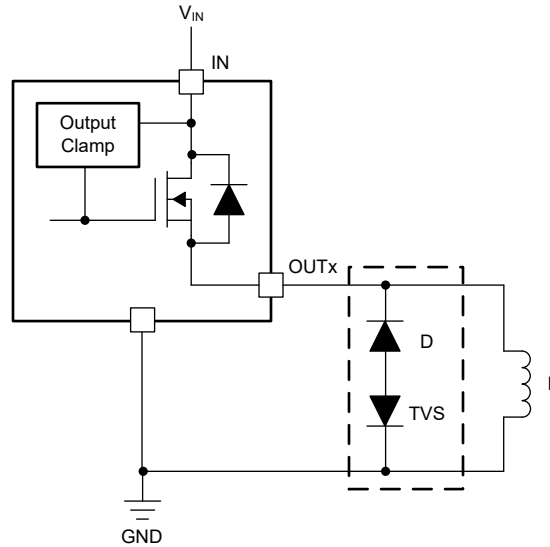


図 8-8. Protection With External Circuitry

8.3.5 Fault Detection and Reporting

8.3.5.1 Diagnostic Enable Function

The DIAG_EN pin enables or disables the diagnostic functions. If multiple devices are used, but the ADC resource is limited in the house-keeping microcontroller, the MCU can use GPIOs to set DIAG_EN high to enable the diagnostics of one device while disabling the diagnostics of the other devices by setting DIAG_EN low. In addition, the device can keep the power consumption to a minimum by setting DIAG_EN and ENx low.

8.3.5.2 Multiplexing of Current Sense

SEL and SEH are the multiplexer selector high and low digital inputs. The multiplexer controls the channel selection for the current-sense function. As this function is shared among all four channels, only one at a time can be observed. See 表 8-2 for more details.

表 8-2. Diagnosis Configuration Table

DIAG_EN ⁽¹⁾	ENx ⁽¹⁾	SEH ⁽¹⁾	SEL ⁽¹⁾	CS ACTIVATED CHANNEL	CS, FAULT	PROTECTIONS AND DIAGNOSTICS
L	H	—	—	—	High impedance	Diagnostics disabled, full protection
	L	—	—	—		Diagnostics disabled, no protection
H	—	0	0	Channel # 1	See 表 8-3	See 表 8-3
		0	1	Channel # 2		
		1	0	Channel # 3		
		1	1	Channel # 4		

(1) L = 0 = logical zero (false), H = 1 = logical one (true), — = don't care

8.3.5.3 Fault Table

表 8-3 applies when the DIAG_EN pin is enabled.

表 8-3. Fault Table

CONDITIONS	ENx ⁽²⁾	OUTx ⁽²⁾	THER ⁽²⁾	CRITERION ⁽²⁾	CS	FAULT	FAULT RECOVERY
Normal	L	L	—	—	0	H	—
	H	H	—	—	In linear region	H	—
Overload, short to ground	H	L	—	Current limit triggered	V _{CS_FAULT}	L	Auto

表 8-3. Fault Table (続き)

CONDITIONS	ENx ⁽²⁾	OUTx ⁽²⁾	THER ⁽²⁾	CRITERION ⁽²⁾	CS	FAULT	FAULT RECOVERY
Open load ⁽¹⁾ , short to power, reverse polarity	L	H	—	$V_{IN} - V_{OUTx} < V_{OL_OFF}$	V _{CS_FAULT}	L	Auto
Thermal shutdown	H	—	L	T _{SD} triggered	V _{CS_FAULT}	L	Output auto-retry. Fault recovers when T _J < T _(SD,rst) or when INx toggles.
			H				Output latch off. Fault recovers when INx toggles.
Thermal swing	H	—	—	T _{SW} triggered	V _{CS_FAULT}	L	Auto

(1) An external pullup is required for open-load detection.

(2) L = logical zero (false), H = logical one (true), — = don't care

8.3.5.4 FAULT Reporting

A global $\overline{\text{FAULT}}$ pin is used to monitor the global fault condition among all the channels. When a fault condition occurs on any channel, the $\overline{\text{FAULT}}$ pin is pulled down to GND. A 3.3-V or 5-V external pullup is required to match the supply level of the house-keeping processor.

After the $\overline{\text{FAULT}}$ report, the processor can check and identify the channel in fault status by using the multiplexed current sensing pin. The CS pin also works as a fault report with an internal pullup voltage, V_{CS_FAULT}.

8.3.6 Full Diagnostics

8.3.6.1 Short-to-GND and Overload Detection

When a channel is on, a short to GND or overload condition causes overcurrent. If the overcurrent triggers either the internal or external current-limit threshold, the fault condition is reported out. The microcontroller can handle the overcurrent by turning off the switch. The device heats up if no actions are taken. If a thermal shutdown occurs, the current limit is I_{CL_TSD} (70% of the externally set current limit) or I_{CL_INTERNAL_TSD} (6.5 A when using the internal current limit) to keep the power stressing on the power FET to a minimum. The device automatically recovers when the fault condition is removed.

8.3.6.2 Open-Load Detection

8.3.6.2.1 Channel On

When a channel is on (ENx = High), benefiting from the high-accuracy current sense in a small current range, if an open-load event occurs, it can be detected as an ultra-low V_{CS} and handled by the microcontroller. Note that the detection is not reported on the $\overline{\text{FAULT}}$ pin. The microcontroller must multiplex the SEL and SEH pins to detect the channel-on open-load fault proactively.

8.3.6.2.2 Channel Off

When a channel is off, if a load is connected, the output is pulled down to GND. But if an open load occurs, the output voltage is close to the supply voltage ($V_{IN} - V_{OUTx} < V_{OL_OFF}$), and the fault is reported out. V_{OL_OFF} is between 1.6 and 2.6 V.

There is always a leakage current I_F (maximum of 0.5 μA at 25°C or 8 μA at 125°C), present on the output due to internal logic control path or external humidity, corrosion, and so forth. Thus, TI recommends an external pullup resistor to offset the leakage current when an open load is detected. The recommended pullup resistance is 20 kΩ.

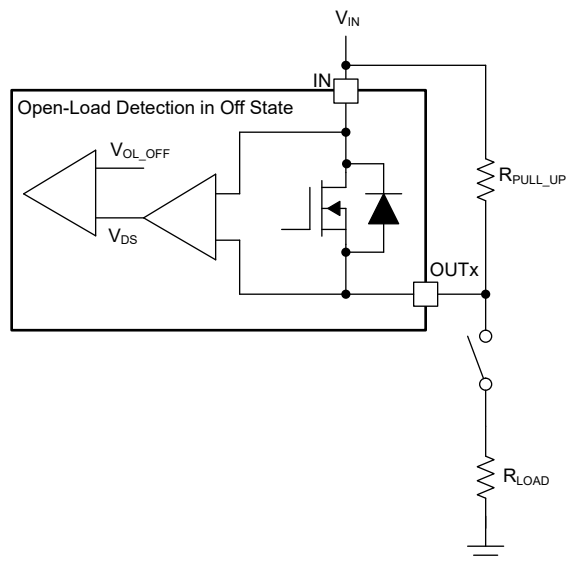


図 8-9. Open-Load Detection in Off-State

8.3.6.3 Short-to-Input Detection

Short-to-Input has the same detection mechanism and behavior as open-load detection, in both the on-state and off-state. See 表 8-3 for more details.

In the on-state, reverse current flows through the FET instead of the body diode, leading to less power dissipation. Thus, the worst case occurs in the off-state.

- If $V_{OUTX} - V_{IN} < V_F$ (body diode forward voltage), no reverse current occurs.
- If $V_{OUTX} - V_{IN} > V_F$, reverse current occurs. The current must be limited to less than I_{R1} . Setting an ENx pin high can minimize the power stress on its channel. Also, for external reverse protection, see [Reverse-Current Protection](#) for more details.

8.3.6.4 Reverse Polarity Detection

Reverse polarity detection has the same detection mechanism and behavior as open-load detection both in the on-state and off-state. See 表 8-3 for more details.

In the on-state, the reverse current flows through the FET instead of the body diode, leading to less power dissipation. Thus, the worst case occurs in the off-state. The reverse current must be limited to less than I_{R2} . Set the related ENx pin high to keep the power dissipation to a minimum. For external reverse-blocking circuitry, see [Reverse-Current Protection](#) for more details.

8.3.6.5 Thermal Fault Detection

To protect the device in severe power stressing cases, the device implements two types of thermal fault detection, absolute temperature protection (thermal shutdown) and dynamic temperature protection (thermal swing). Respective temperature sensors are integrated close to each power FET, so the thermal fault is reported by each channel. This arrangement can help the device keep the cross-channel effect to a minimum when some channels are in a thermal fault condition.

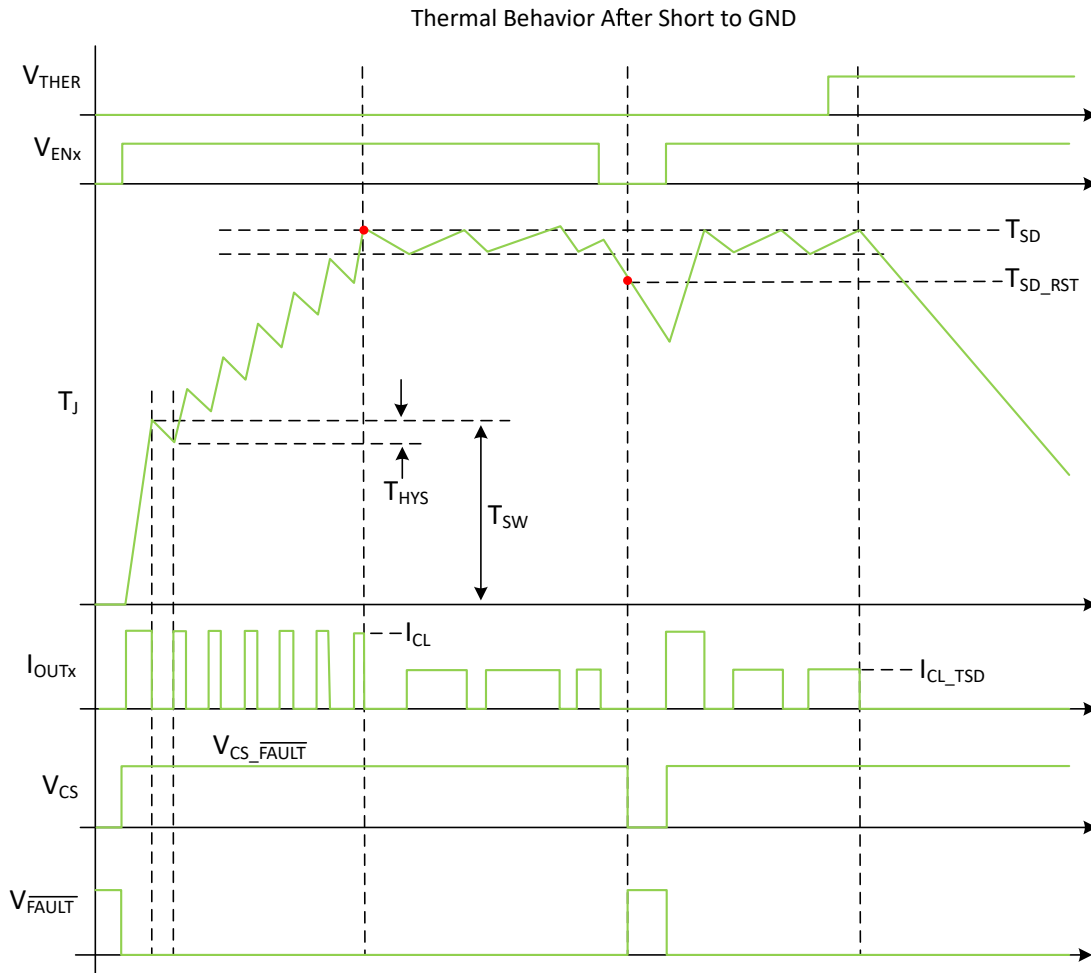
8.3.6.5.1 Thermal Shutdown

Thermal shutdown is active when the absolute temperature $T_J > T_{SD}$. When thermal shutdown occurs, the respective output turns off. The THER pin is used to configure the behavior after the thermal shutdown occurs.

- When the **THER** pin is low, thermal shutdown operates in the auto-retry mode. The output automatically recovers when $T_J < T_{SD} - T_{HYS}$, but the current is limited to I_{CL_TSD} or $I_{CL_INTERNAL_TSD}$ (depending if the internal or external current limit is used) to avoid repetitive thermal shutdown. The thermal shutdown fault signal is cleared when $T_J < T_{SD_RST}$ or after toggling the related ENx pin.

- When the **THER** pin is high, thermal shutdown operates in the latch mode. The output latches off when thermal shutdown occurs. When the THER pin goes from high to low, thermal shutdown changes to auto-retry mode. The thermal shutdown fault signal is cleared after toggling the related ENx pin.

Thermal swing activates when the power FET temperature is increasing sharply, that is, when $\Delta T = T_{FET} - T_{LOGIC} > T_{SW}$, then the output turns off. The output automatically recovers and the fault signal clears when $\Delta T = T_{FET} - T_{LOGIC} < T_{SW} - T_{HYS}$. Thermal swing function improves the device reliability when subjected to repetitive fast thermal variation. As shown in 8-10, multiple thermal swings are triggered before thermal shutdown occurs.



8-10. Thermal Behavior Diagram

8.3.7 Full Protections

8.3.7.1 UVLO Protection

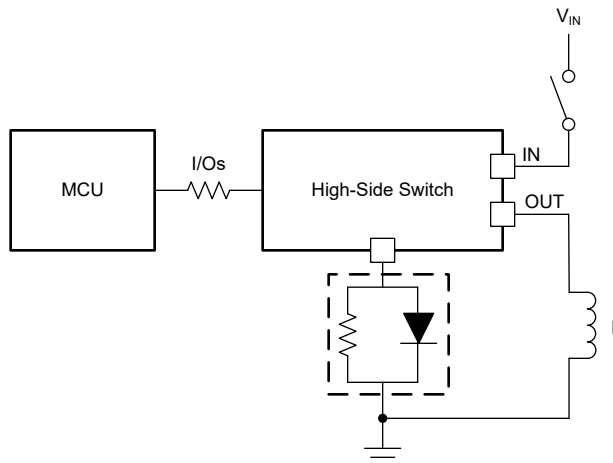
The device monitors the supply voltage V_{IN} , to prevent unpredicted behaviors when V_{IN} is too low. When V_{IN} falls down to IN_{UVLOF} , the device shuts down. When V_{IN} rises up to IN_{UVLOR} , the device turns on.

8.3.7.2 Loss-of-GND Protection

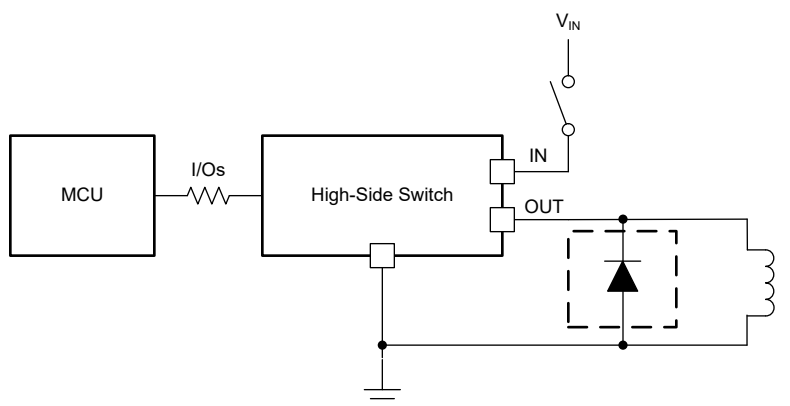
When loss of GND occurs, output is shut down regardless of whether the ENx pin is high or low. The device can protect against two ground-loss conditions, loss of device GND and loss of module GND.

8.3.7.3 Protection for Loss of Power Supply

When loss of supply occurs, the output is shut down regardless of whether the ENx pin is high or low. For a resistive or a capacitive load, loss of supply has no risk. But for a charged inductive load, the current is driven from all the I/O pins to maintain the inductance current. To protect the system in this condition, TI recommends two types of external protections: the GND network or the external free-wheeling diode.



☒ 8-11. Protection for Loss of Power Supply, Method 1



☒ 8-12. Protection for Loss of Power Supply, Method 2

8.3.7.4 Reverse-Current Protection

Reverse current occurs in two conditions: short to power and reverse polarity.

- When a short to the input occurs, there is only reverse current through the body diode. I_{R1} specifies the limit of the reverse current.
- In a reverse-polarity condition, there are reverse currents through the body diode and the device GND pin. I_{R2} specifies the limit of the reverse current. The GND pin maximum current is specified in the [Absolute Maximum Ratings](#).

To protect the device, TI recommends two types of external circuitry.

- Adding a blocking diode. Both the IC and load are protected when in reverse polarity.

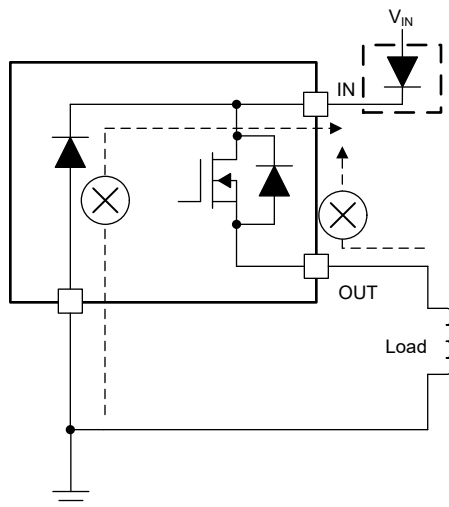


図 8-13. Reverse-Current External Protection, Method 1

- Adding a GND network. The reverse current through the device GND is blocked. The reverse current through the FET is limited by the load itself. TI recommends a resistor in parallel with the diode as a GND network. The recommended selection are 1-k Ω resistor in parallel with a >100-mA diode. If multiple high-side switches are used, the resistor and diode can be shared among devices. The reverse current protection diode in the GND network forward voltage should be less than 0.6 V in any circumstances. In addition a minimum resistance of 4.7 k Ω is recommended on the I/O pins.

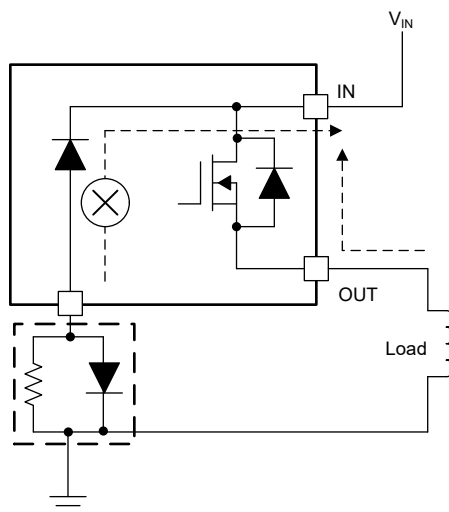


図 8-14. Reverse-Current External Protection, Method 2

8.3.7.5 MCU I/O Protection

In some severe systems conditions the loss of power with inductive loads, results on a negative pulse on the GND pin. This pulse can cause damage on the connected microcontroller. TI recommends serial resistors to protect the microcontroller, for example, 4.7 k Ω when using a 3.3-V microcontroller and 10 k Ω for a 5-V microcontroller.

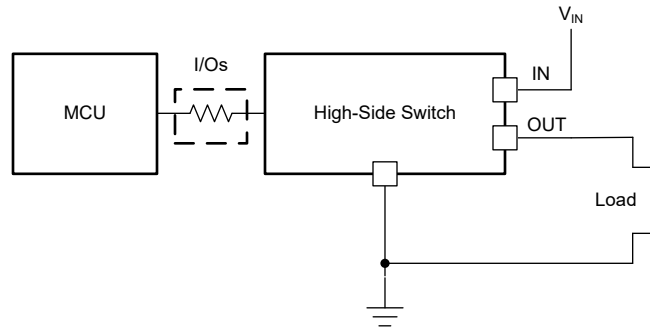


図 8-15. MCU I/O External Protection

8.3.8 Parallel Operation

The TPS7H2140-SEP can be configured in parallel operation either to increase the current capability, up to 5.4 A, or to reduce the R_{ON} (on-state resistance). Any channels combination can be parallel by connecting the desired channels outputs (OUTx) and enable (ENx) signals together. 図 8-16 shows the input/output connections when paralleling all 4 channels of the TPS7H2140-SEP

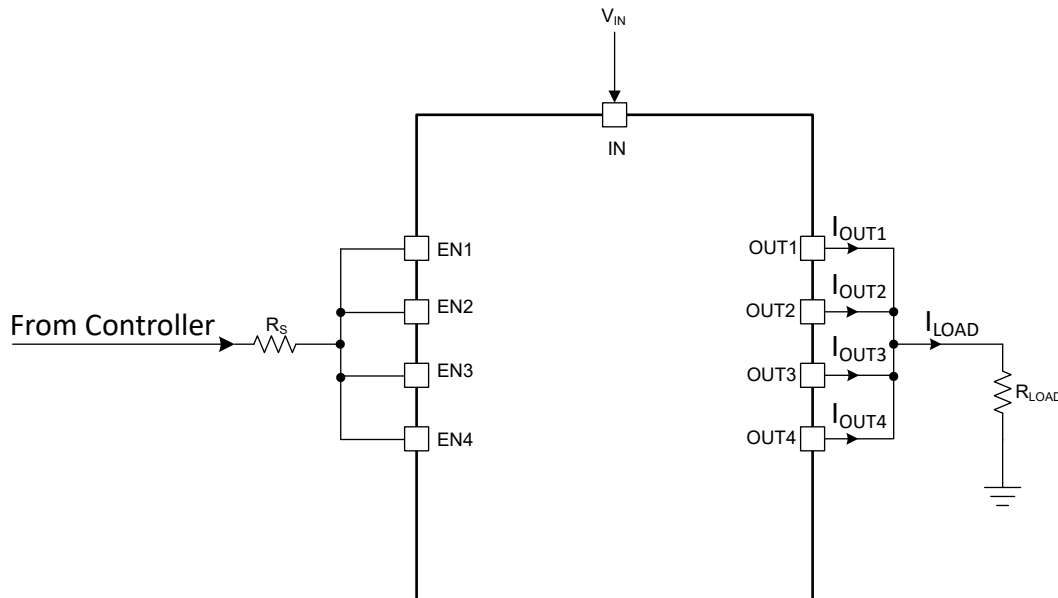


図 8-16. Input and Output Connections when paralleling all channels in the TPS7H2140-SEP

For proper device operation follow the following recommendations:

1. Connect the ENx inputs signals of the channels to be parallel together and as close to the device (I.C.) as possible.
2. Connect the OUTx output signals of the channels to be parallel together and as close to the device (I.C.) as possible.
3. Take in consideration the deviations (or errors) in the R_{ON} , current limit and voltage clamp for the system design.

Due to imbalance of currents in each channel (due to ΔR_{ON}) the total load current is not equally distributed. The channel current bounds are:

$$\bullet \quad I_n(\max) = \frac{I_{LOAD}}{N} \times \left(\frac{1 + \Delta R_{ON}}{1 - \Delta R_{ON}} \right) \quad (13)$$

$$I_n(\min) = \frac{I_{LOAD}}{N} \times \left(\frac{1 - \Delta R_{ON}}{1 + \Delta R_{ON}} \right) \quad (14)$$

where N is equal to the # of parallel channels and ΔR_{ON} is the difference between the on-state resistance for any given channel.

At 25 °C the ΔR_{ON} maximum value is specified at 6 % (or 0.06), using this value and assuming the I_{LOAD} is 5 A the current by each channel can be calculated (using 式 13 and 式 14) as:

$$1.11 \leq I_n \leq 1.41 \quad (15)$$

When paralleling channels is important to know that the current limit is programmed per channel based (or the same for all channels). The sensed current ratio on the current limit circuit have variations (as specified by dK_{CL}/K_{CL}). To deliver the expected load before reaching the current limit the designer must account for variation on the sensed current gain and variations on the channels currents due to on-resistance mismatch as described before. To select the current limit resistor when accounting for all system errors (ΔR_{ON} and dK_{CL}/K_{CL}) use:

$$R_{CL}(\max) = \frac{V_{CL_TH} \times K_{CL} \left(1 - \left| \frac{dK_{CL}}{K_{CL}} \right| \right)}{I_n(\max)} \quad (16)$$

As the sensed current is measured in a per channel based and reported on the CS pin. To measure the total load current of parallel channels, the individual current must be measured and added together. The individual currents are measured by using the SEH and SEL (mux inputs) in conjunction with the CS voltage.

The diagnostics as specified by [Fault Table](#) are globally reported, as the fault conditions affects all channels simultaneously. When using the internal clamp (V_{DS_CLAMP}) to dissipate the inductive kick-back energy the energy must be limited to the maximum of a single channel.

注

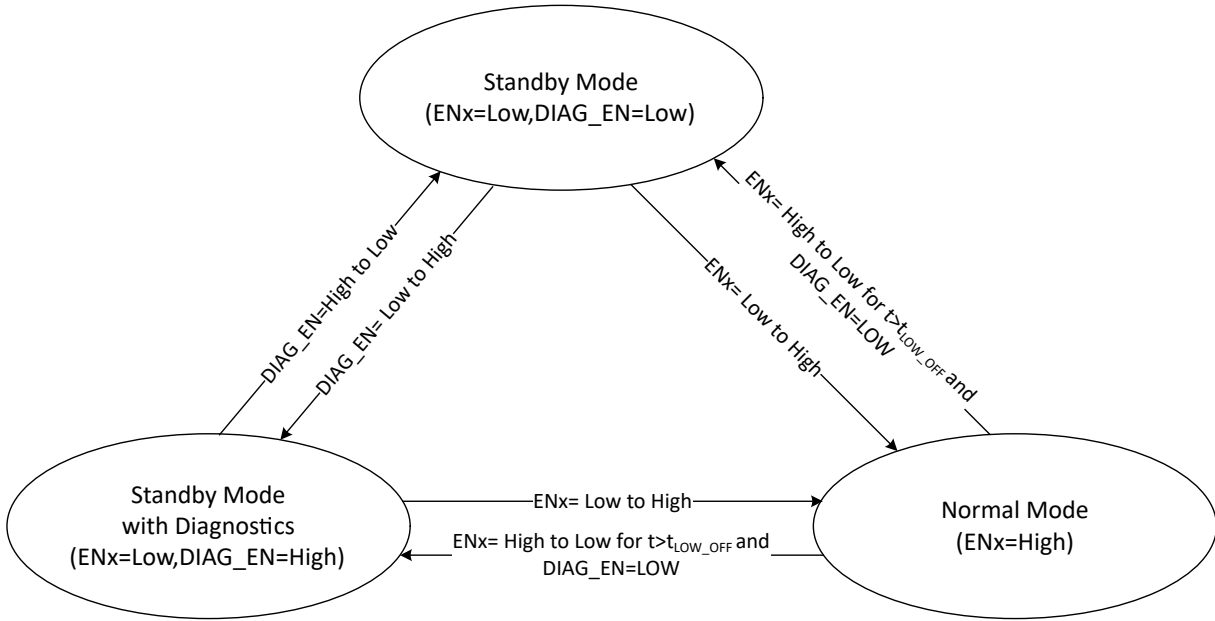
The energy does not scale with the number of parallel channels and must be limited to the absolute maximum value of 40mJ.

8.4 Device Functional Modes

8.4.1 Working Modes

The device has three working modes: normal mode, standby mode, and standby mode with diagnostics.

Note that ENx must be low for $t > t_{LOW_OFF}$ to enter the standby mode, where t_{LOW_OFF} is the standby mode deglitch time used to avoid false triggering. [図 8-17](#) shows a working-mode diagram.



☒ 8-17. Working Modes

9 Application and Implementation

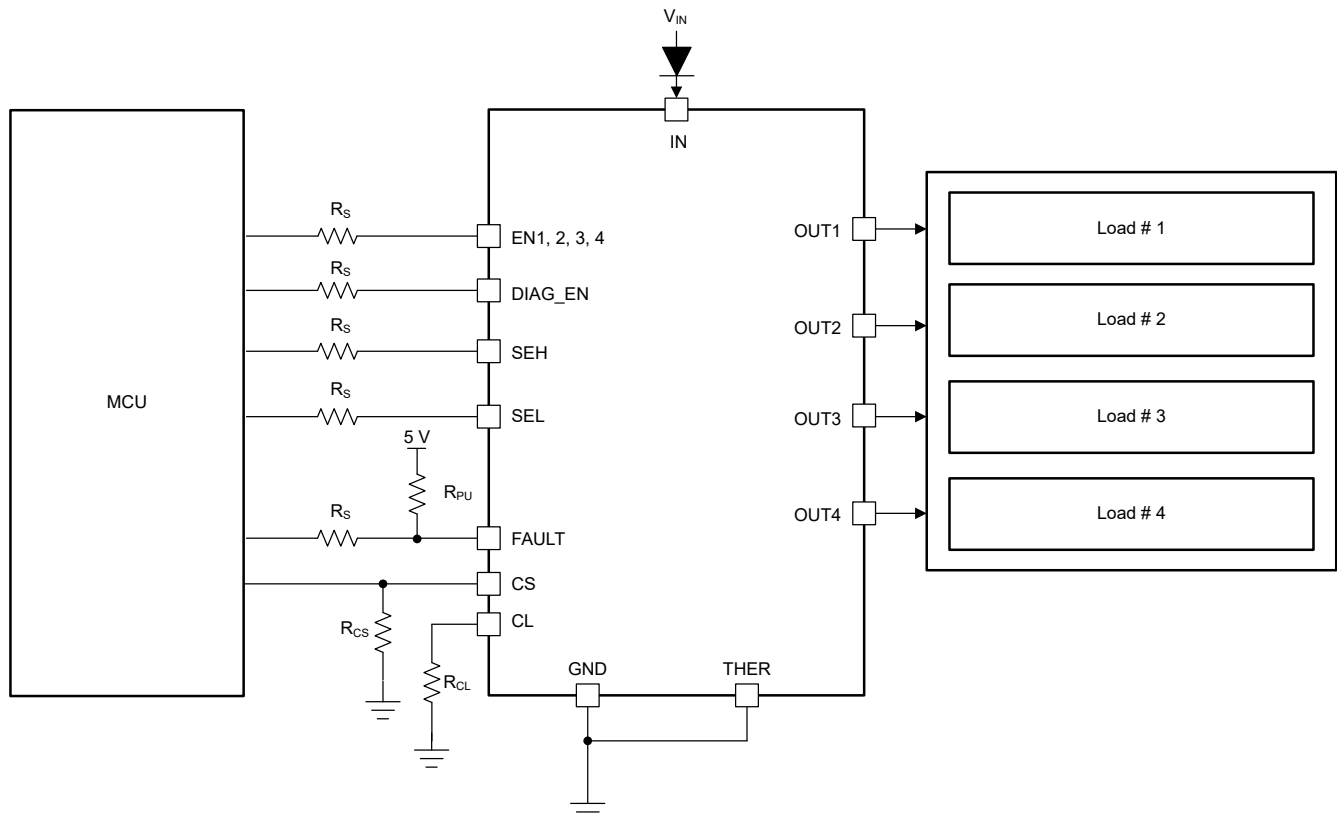
注

Information in the following applications sections is not part of the TI component specification, and TI does not warrant its accuracy or completeness. TI's customers are responsible for determining suitability of components for their purposes, as well as validating and testing their design implementation to confirm system functionality.

9.1 Application Information

The TPS7H2140-SEP device is capable of driving a wide variety of resistive, inductive, and capacitive loads, including: relays, solenoids, heaters, and sub-modules. Full diagnostics and high-accuracy current-sense features enable intelligent control of the load. An external adjustable current limit improves the reliability of the whole system by clamping the inrush or overload current.

9.2 Typical Application



9-1. Typical Application Diagram

9.2.1 Design Requirements

- $V_{IN} = 12\text{ V}$
- Maximum load current up to 1 A (nominal) and for each channel
- Up to 1.1 A during transients before the current is limited.
- Current sense for fault monitoring
- Expected current-limit value of 1.1 A
- Automatic recovery mode when thermal shutdown occurs
- Full diagnostics with 5-V MCU/FPGA
- Reverse-voltage protection with a blocking diode in the power-supply line

9.2.2 Detailed Design Procedure

When selecting the current limit resistor we most account for the accuracy of the limit. The accuracy on the range of the desired current limit is $\pm 20\%$.

As the current limit can be shifted up to -20% , is desired to boost the load current by this factor. In which case the load current for the calculation of the current limit is: 1.375 A.

To keep the 1.1 A nominal current in the 0 to 4 V current-sense range, calculate the R_{CS} resistor using 式 17. To achieve better current-sense accuracy, a 1% tolerance or better resistor is preferred.

$$R_{CS} = \frac{V_{CS}}{I_{CS}} = \frac{V_{CS} \times K_{CS}}{I_{OUTx}} = \frac{4 \times 300}{1.1} = 1.09 \text{ k}\Omega \tag{17}$$

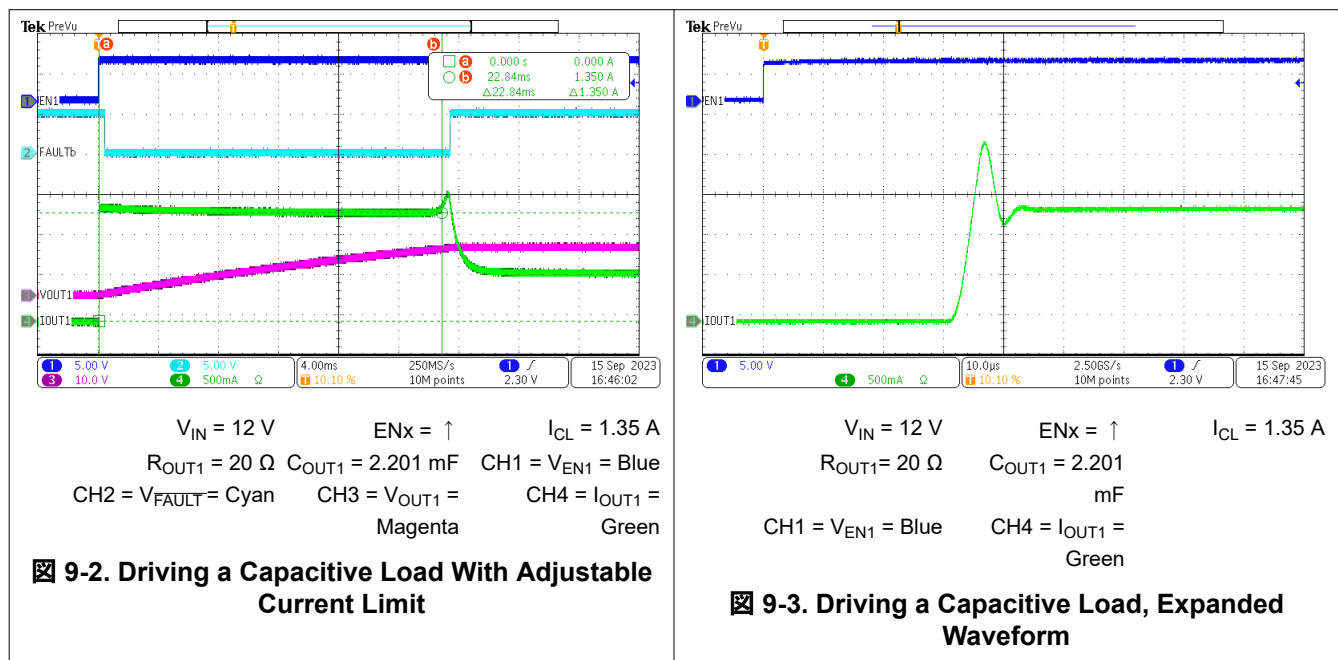
To set the adjustable current limit value at 2.5 A, calculate R_{CL} using 式 18.

$$R_{CL} = \frac{V_{CL_TH} \times K_{CL}}{I_{OUTx}} = \frac{0.8 \times 2500}{1.375} = 1.45 \text{ k}\Omega \tag{18}$$

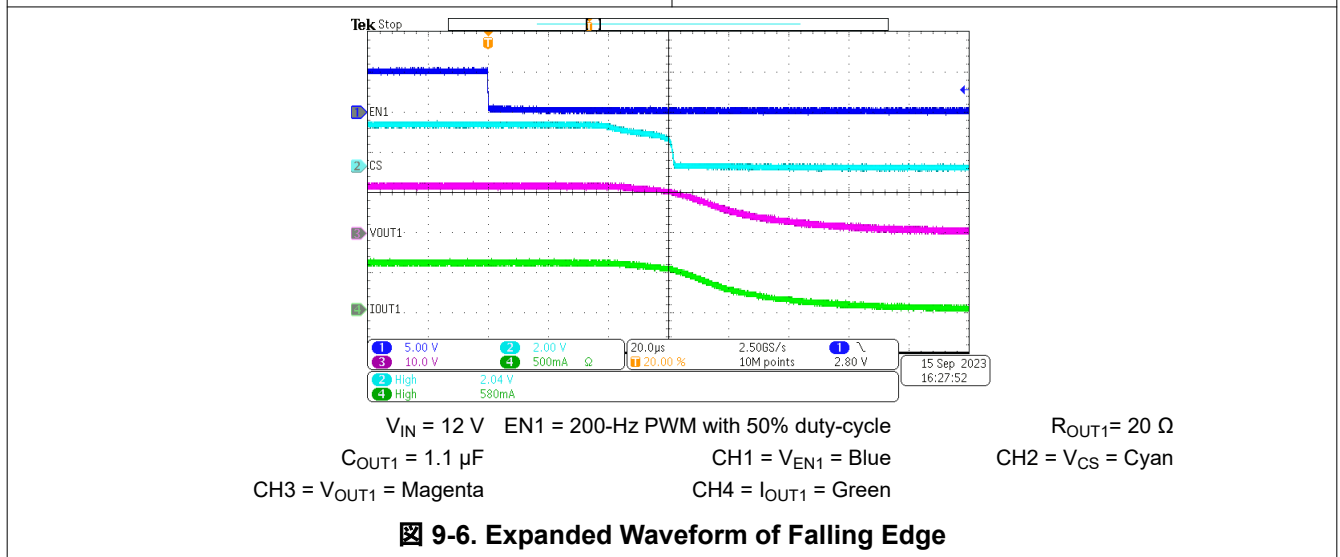
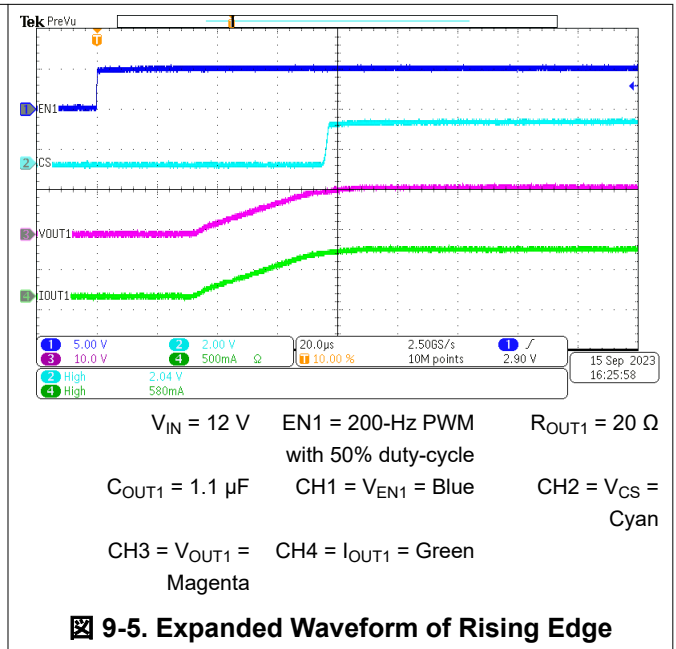
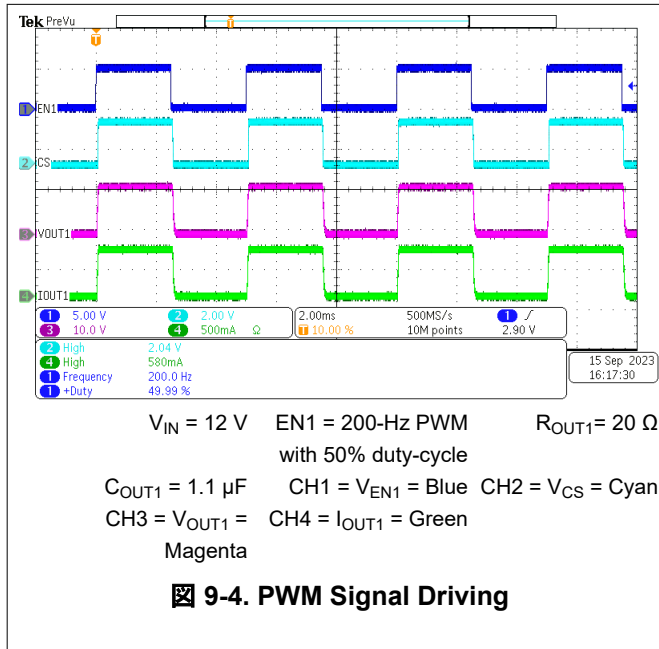
TI recommends $R_S = 10 \text{ k}\Omega$ for 5-V MCU, and $R_{PU} = 10 \text{ k}\Omega$ as the pullup resistor.

9.2.3 Application Curves

☒ 9-2 shows a test example of soft-start when driving a big capacitive load. ☒ 9-3 shows an expanded waveform of the output current.



☒ 9-4 shows a test example of PWM-mode driving. ☒ 9-5 shows the expanded waveform of the rising edge. ☒ 9-6 shows the expanded waveform of the falling edge.



9.3 Power Supply Recommendations

The TPS7H2140-SEP is designed to operate from an input range between 4.5 V to 32 V. This supply voltage must be well regulated and proper local bypass capacitors should be used for proper electrical performance from V_{IN} to GND. Due to stringent requirements for space applications, typically numerous input bypass capacitors are used and the total capacitance is much larger than for commercial applications. The TPS7H2140-SEP evaluation module uses one 33- μF tantalum capacitor in parallel with one 10- μF , one 1- μF , and one 0.1- μF ceramic capacitor.

9.4 Layout

9.4.1 Layout Guidelines

To prevent thermal shutdown, T_J must be less than 150°C . The HTSSOP package has good thermal impedance. However, the PCB layout is very important. Good PCB design can optimize heat transfer, which is absolutely essential for the long-term reliability of the device.

- Maximize the copper coverage on the PCB to increase the thermal conductivity of the board. Maximum copper is extremely important when there are not any heat sinks attached to the PCB on the other side of the package.
- Add as many thermal vias as possible directly under the package ground pad to optimize the thermal conductivity of the board.
- All thermal vias should either be plated shut or plugged and capped on both sides of the board to prevent solder voids. To ensure reliability and performance, it is recommended a solder coverage greater than 85%.

9.4.2 Layout Examples

9.4.2.1 Without a GND Network

Without a GND network, tie the thermal pad directly to the board GND copper for better thermal performance.

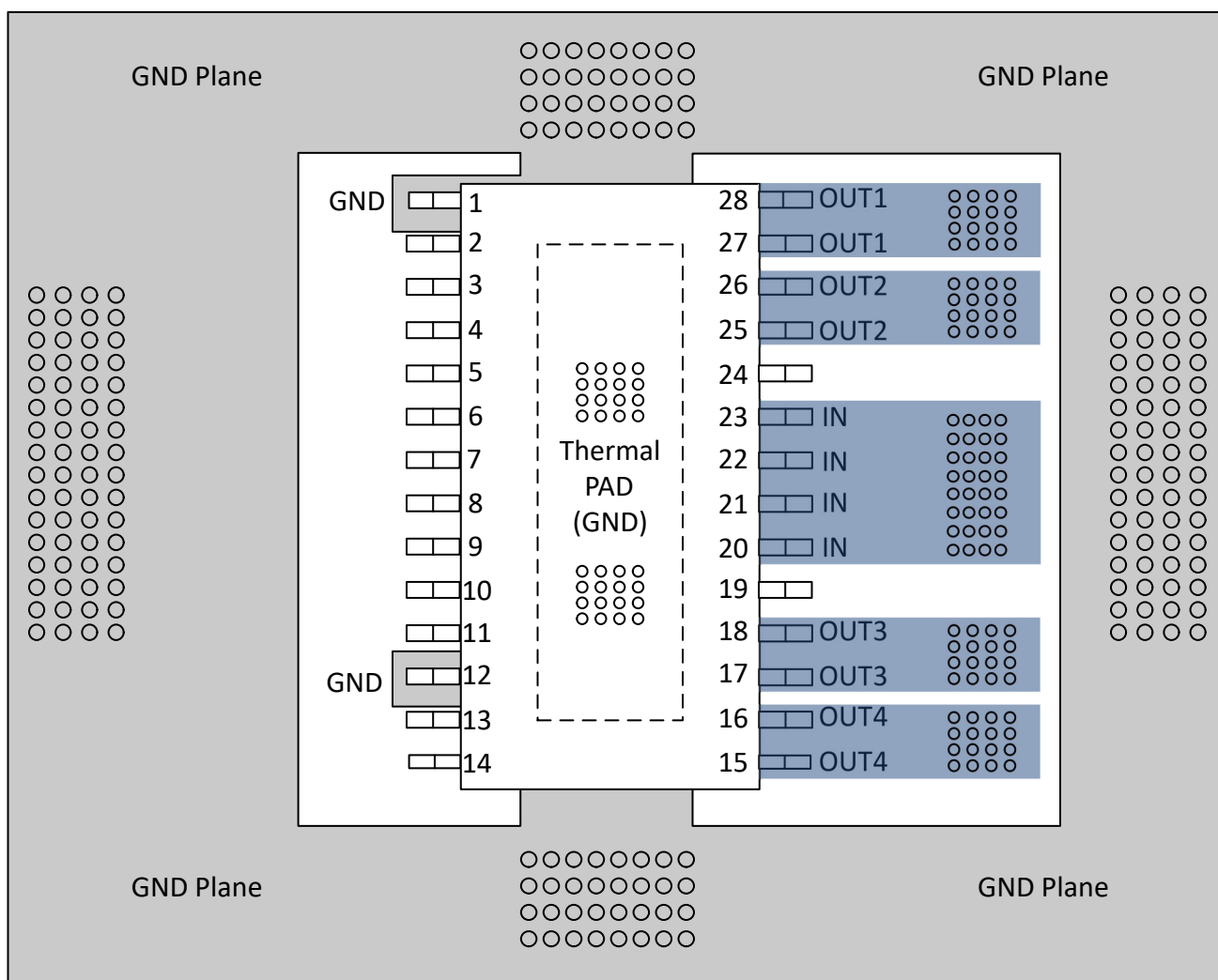
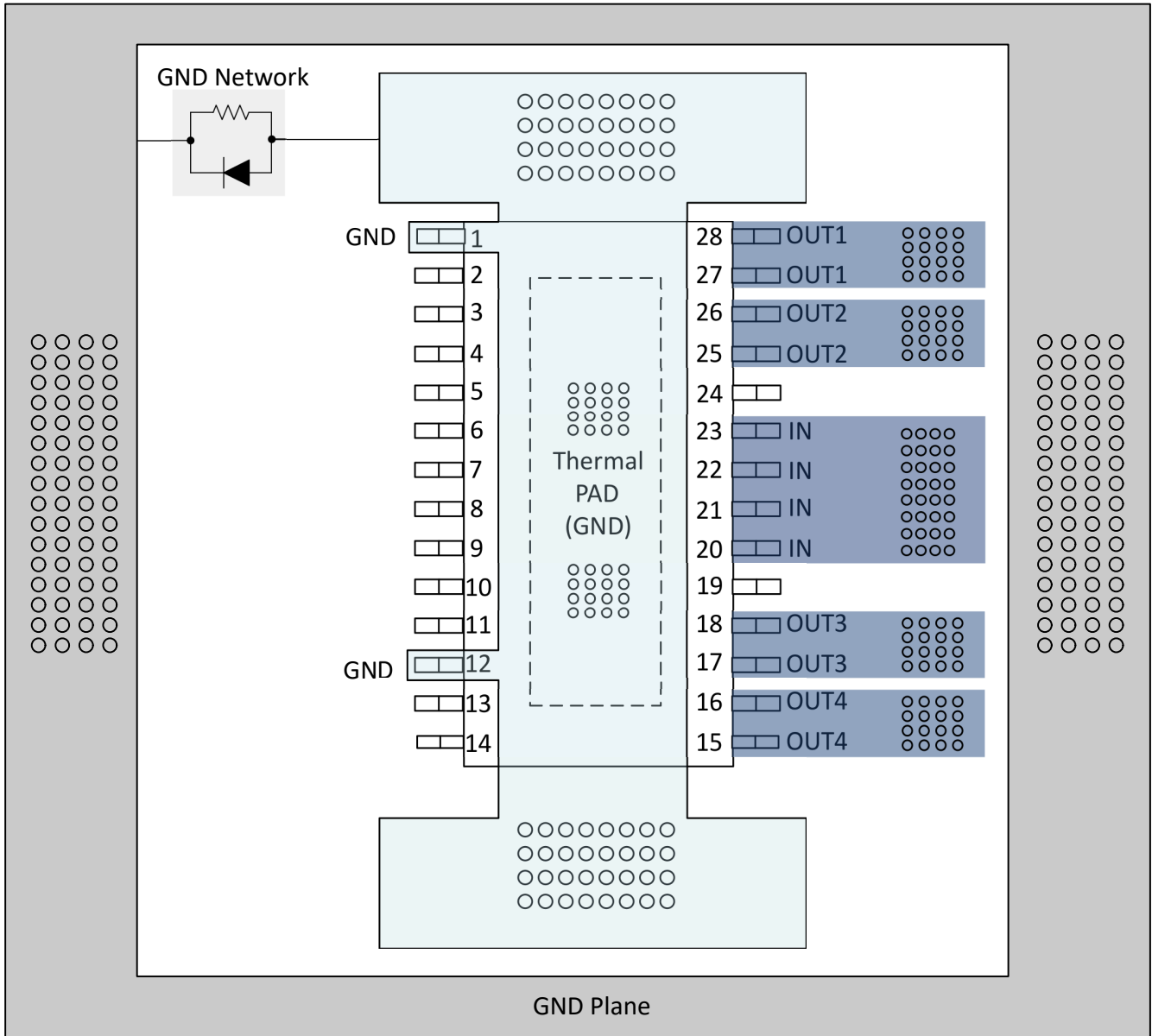


図 9-7. Layout Example Without a GND Network

9.4.2.2 With a GND Network

With a GND network, tie the thermal pad as one trace to the board GND copper.



☒ 9-8. Layout Example With a GND Network

10 Device and Documentation Support

10.1 Documentation Support

10.1.1 Related Documentation

For related documentation see the following:

- Texas Instruments, [TPS7H2140-SEP Total Ionizing Dose \(TID\)](#)
- Texas Instruments, [Single-Event-Effects Test Report of the TPS7H2140-SEP Quad-channel eFuse](#)
- Texas Instruments, [TPS7H2140-SEP NDD Report](#)
- Texas Instruments, [TPS7H2140EVM Evaluation Module \(EVM\)](#)
- Texas Instruments, [Unencrypted PSpice Transient Model](#)
- Texas Instruments, [Load Switch Thermal Considerations](#)
- Texas Instruments, [Basics of eFuses](#)
- Texas Instruments, [Basics of Load Switches](#)
- Vendor Item Drawing, [V6223610](#)

10.2 ドキュメントの更新通知を受け取る方法

ドキュメントの更新についての通知を受け取るには、[ti.com](#) のデバイス製品フォルダを開いてください。「更新の通知を受け取る」をクリックして登録すると、変更されたすべての製品情報に関するダイジェストを毎週受け取れます。変更の詳細については、修正されたドキュメントに含まれている改訂履歴をご覧ください。

10.3 サポート・リソース

[テキサス・インスツルメンツ E2E™ サポート・フォーラム](#)は、エンジニアが検証済みの回答と設計に関するヒントをエキスパートから迅速かつ直接得ることができる場所です。既存の回答を検索したり、独自の質問をしたりすることで、設計に必要な支援を迅速に得ることができます。

リンクされているコンテンツは、各寄稿者により「現状のまま」提供されるものです。これらはテキサス・インスツルメンツの仕様を構成するものではなく、必ずしもテキサス・インスツルメンツの見解を反映したものではありません。テキサス・インスツルメンツの[使用条件](#)を参照してください。

10.4 Trademarks

テキサス・インスツルメンツ E2E™ is a trademark of Texas Instruments.

すべての商標は、それぞれの所有者に帰属します。

10.5 静電気放電に関する注意事項



この IC は、ESD によって破損する可能性があります。テキサス・インスツルメンツは、IC を取り扱う際には常に適切な注意を払うことを推奨します。正しい取り扱いおよび設置手順に従わない場合、デバイスを破損するおそれがあります。

ESD による破損は、わずかな性能低下からデバイスの完全な故障まで多岐にわたります。精密な IC の場合、パラメータがわずかに変化するだけで公表されている仕様から外れる可能性があるため、破損が発生しやすくなっています。

10.6 用語集

[テキサス・インスツルメンツ用語集](#) この用語集には、用語や略語の一覧および定義が記載されています。

11 Mechanical, Packaging, and Orderable Information

The following pages include mechanical, packaging, and orderable information. This information is the most-current data available for the designated device. This data is subject to change without notice and without revision of this document. For browser-based versions of this data sheet, see the left-hand navigation pane.

PACKAGING INFORMATION

Orderable part number	Status (1)	Material type (2)	Package Pins	Package qty Carrier	RoHS (3)	Lead finish/ Ball material (4)	MSL rating/ Peak reflow (5)	Op temp (°C)	Part marking (6)
TPS7H2140MPWPTSEP	Active	Production	HTSSOP (PWP) 28	250 SMALL T&R	Yes	NIPDAU	Level-3-260C-168 HR	-55 to 125	7H2140PWP
TPS7H2140MPWPTSEP.A	Active	Production	HTSSOP (PWP) 28	250 SMALL T&R	Yes	NIPDAU	Level-3-260C-168 HR	-55 to 125	7H2140PWP
V62/23610-01XE	Active	Production	HTSSOP (PWP) 28	250 SMALL T&R	Yes	NIPDAU	Level-3-260C-168 HR	-55 to 125	7H2140PWP

(1) **Status:** For more details on status, see our [product life cycle](#).

(2) **Material type:** When designated, preproduction parts are prototypes/experimental devices, and are not yet approved or released for full production. Testing and final process, including without limitation quality assurance, reliability performance testing, and/or process qualification, may not yet be complete, and this item is subject to further changes or possible discontinuation. If available for ordering, purchases will be subject to an additional waiver at checkout, and are intended for early internal evaluation purposes only. These items are sold without warranties of any kind.

(3) **RoHS values:** Yes, No, RoHS Exempt. See the [TI RoHS Statement](#) for additional information and value definition.

(4) **Lead finish/Ball material:** Parts may have multiple material finish options. Finish options are separated by a vertical ruled line. Lead finish/Ball material values may wrap to two lines if the finish value exceeds the maximum column width.

(5) **MSL rating/Peak reflow:** The moisture sensitivity level ratings and peak solder (reflow) temperatures. In the event that a part has multiple moisture sensitivity ratings, only the lowest level per JEDEC standards is shown. Refer to the shipping label for the actual reflow temperature that will be used to mount the part to the printed circuit board.

(6) **Part marking:** There may be an additional marking, which relates to the logo, the lot trace code information, or the environmental category of the part.

Multiple part markings will be inside parentheses. Only one part marking contained in parentheses and separated by a "-" will appear on a part. If a line is indented then it is a continuation of the previous line and the two combined represent the entire part marking for that device.

Important Information and Disclaimer: The information provided on this page represents TI's knowledge and belief as of the date that it is provided. TI bases its knowledge and belief on information provided by third parties, and makes no representation or warranty as to the accuracy of such information. Efforts are underway to better integrate information from third parties. TI has taken and continues to take reasonable steps to provide representative and accurate information but may not have conducted destructive testing or chemical analysis on incoming materials and chemicals. TI and TI suppliers consider certain information to be proprietary, and thus CAS numbers and other limited information may not be available for release.

In no event shall TI's liability arising out of such information exceed the total purchase price of the TI part(s) at issue in this document sold by TI to Customer on an annual basis.

GENERIC PACKAGE VIEW

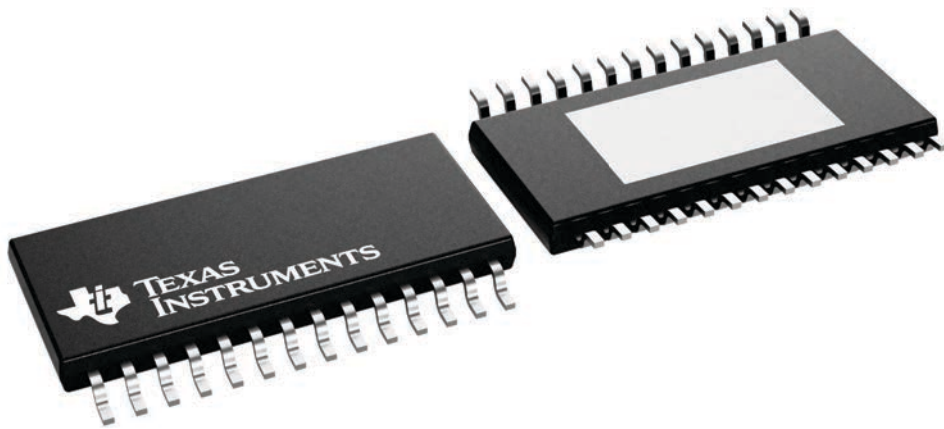
PWP 28

PowerPAD™ TSSOP - 1.2 mm max height

4.4 x 9.7, 0.65 mm pitch

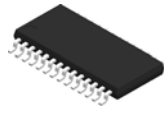
SMALL OUTLINE PACKAGE

This image is a representation of the package family, actual package may vary.
Refer to the product data sheet for package details.



4224765/B

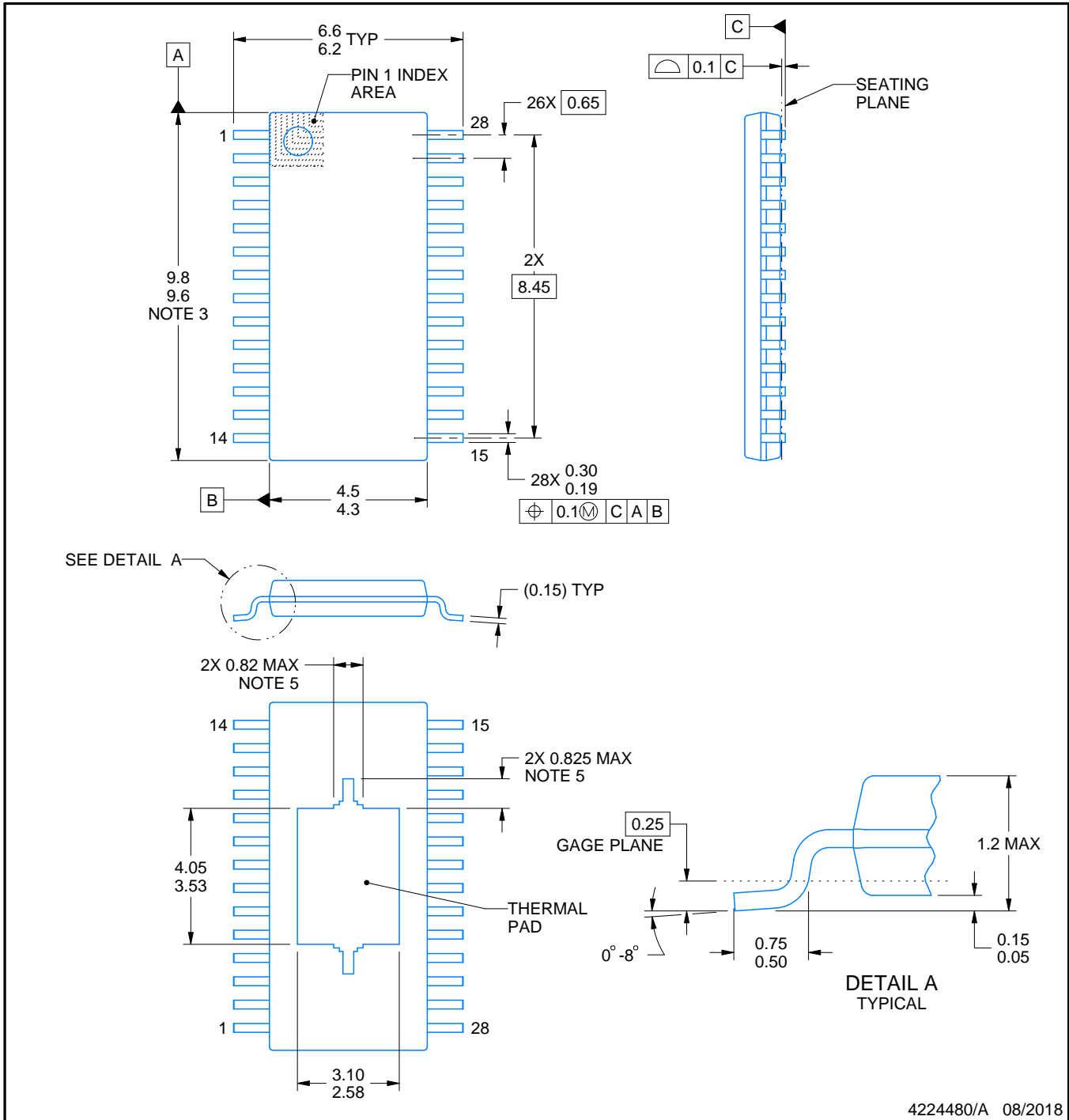
PWP0028M



PACKAGE OUTLINE

PowerPAD™ TSSOP - 1.2 mm max height

SMALL OUTLINE PACKAGE



4224480/A 08/2018

NOTES:

PowerPAD is a trademark of Texas Instruments.

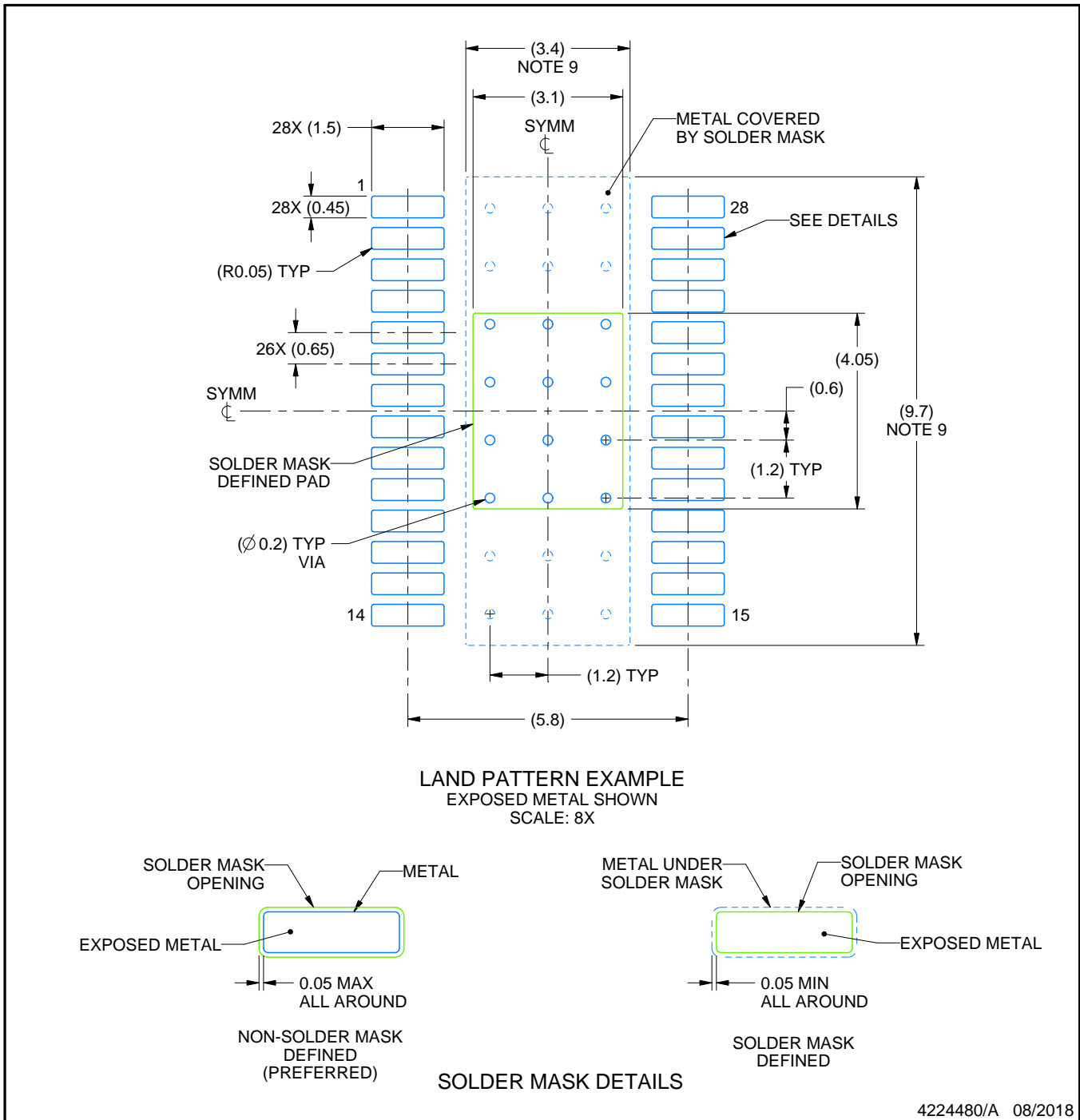
1. All linear dimensions are in millimeters. Any dimensions in parenthesis are for reference only. Dimensioning and tolerancing per ASME Y14.5M.
2. This drawing is subject to change without notice.
3. This dimension does not include mold flash, protrusions, or gate burrs. Mold flash, protrusions, or gate burrs shall not exceed 0.15 mm per side.
4. Reference JEDEC registration MO-153.
5. Features may differ or may not be present.

EXAMPLE BOARD LAYOUT

PWP0028M

PowerPAD™ TSSOP - 1.2 mm max height

SMALL OUTLINE PACKAGE



4224480/A 08/2018

NOTES: (continued)

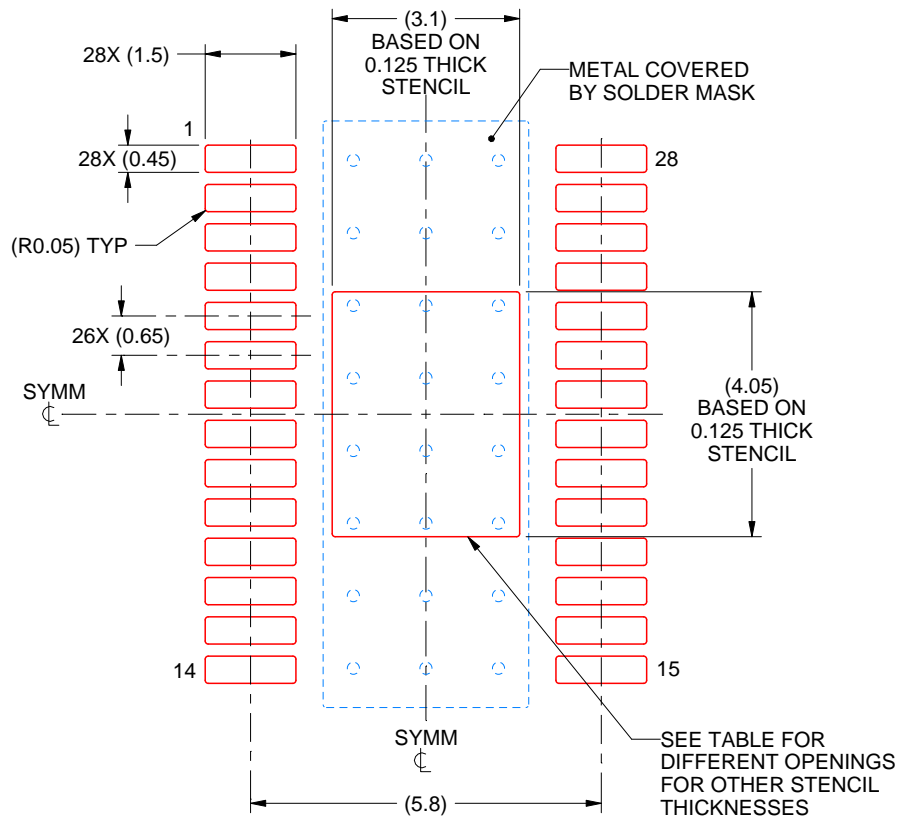
6. Publication IPC-7351 may have alternate designs.
7. Solder mask tolerances between and around signal pads can vary based on board fabrication site.
8. This package is designed to be soldered to a thermal pad on the board. For more information, see Texas Instruments literature numbers SLMA002 (www.ti.com/lit/slma002) and SLMA004 (www.ti.com/lit/slma004).
9. Size of metal pad may vary due to creepage requirement.
10. Vias are optional depending on application, refer to device data sheet. It is recommended that vias under paste be filled, plugged or tented.

EXAMPLE STENCIL DESIGN

PWP0028M

PowerPAD™ TSSOP - 1.2 mm max height

SMALL OUTLINE PACKAGE



SOLDER PASTE EXAMPLE
 BASED ON 0.125 mm THICK STENCIL
 SCALE: 8X

STENCIL THICKNESS	SOLDER STENCIL OPENING
0.1	3.47 X 4.53
0.125	3.10 X 4.05 (SHOWN)
0.15	2.83 X 3.70
0.175	2.62 X 3.42

4224480/A 08/2018

NOTES: (continued)

11. Laser cutting apertures with trapezoidal walls and rounded corners may offer better paste release. IPC-7525 may have alternate design recommendations.
12. Board assembly site may have different recommendations for stencil design.

重要なお知らせと免責事項

TI は、技術データと信頼性データ (データシートを含みます)、設計リソース (リファレンス デザインを含みます)、アプリケーションや設計に関する各種アドバイス、Web ツール、安全性情報、その他のリソースを、欠陥が存在する可能性のある「現状のまま」提供しており、商品性および特定目的に対する適合性の黙示保証、第三者の知的財産権の非侵害保証を含むいかなる保証も、明示的または黙示的にかかわらず拒否します。

これらのリソースは、TI 製品を使用する設計の経験を積んだ開発者への提供を意図したものです。(1) お客様のアプリケーションに適した TI 製品の選定、(2) お客様のアプリケーションの設計、検証、試験、(3) お客様のアプリケーションに該当する各種規格や、その他のあらゆる安全性、セキュリティ、規制、または他の要件への確実な適合に関する責任を、お客様のみが単独で負うものとし、

上記の各種リソースは、予告なく変更される可能性があります。これらのリソースは、リソースで説明されている TI 製品を使用するアプリケーションの開発の目的でのみ、TI はその使用をお客様に許諾します。これらのリソースに関して、他の目的で複製することや掲載することは禁止されています。TI や第三者の知的財産権のライセンスが付与されている訳ではありません。お客様は、これらのリソースを自身で使用した結果発生するあらゆる申し立て、損害、費用、損失、責任について、TI およびその代理人を完全に補償するものとし、TI は一切の責任を拒否します。

TI の製品は、[TI の販売条件](#)、[TI の総合的な品質ガイドライン](#)、[ti.com](#) または TI 製品などに関連して提供される他の適用条件に従い提供されます。TI がこれらのリソースを提供することは、適用される TI の保証または他の保証の放棄の拡大や変更を意味するものではありません。TI がカスタム、またはカスタマー仕様として明示的に指定していない限り、TI の製品は標準的なカタログに掲載される汎用機器です。

お客様がいかなる追加条項または代替条項を提案する場合も、TI はそれらに異議を唱え、拒否します。

Copyright © 2026, Texas Instruments Incorporated

最終更新日 : 2025 年 10 月