

具有可编程固定增益的 DirectPath™ 25-mW 头戴式耳机放大器

 查询样品: [TPA6139A2](#)

特性

- **DirectPath™**
 - 消除噼啪/喀哒声
 - 免除输出隔直流电容器
 - 采用 **3 V 至 3.6 V** 电源电压
- 低噪声及 **THD**
 - **SNR > 105 dB** (在 **-1x** 增益条件下)
 - 典型 **V_n < 15 μV_{rms}** (在 **20 Hz~20 kHz** 及 **-1x** 增益条件下)
 - **THD+N < 0.003%** (在 **10 kΩ** 负载及 **-1x** 增益条件下)
- 可向 **600 Ω** 负载输送 **25 mW** 功率
- 可向 **5 kΩ** 负载提供 **2 V_{rms}** 输出电压
- 单端输入和输出
- 可编程增益选择功能减少了元件数量
 - **13x** 增益值
- 具有 **>80 dB** 衰减的有源静音
- 具有短路保护及热保护功能
- 对输出提供了 **±8 kV HBM ESD** 保护

应用

- **PDP / LCD TV**
- **Blu-ray Disc™, DVD Players**
- 迷你型/微型组合音响系统
- 声卡

说明

TPA6139A2PW 是一款 25-mW 无噼啪声立体声头戴式耳机驱动器, 专为缩减组件数量、板级空间和成本而设计。对于那些将尺寸和成本作为关键设计参数的单电源电子产品而言, 该器件是理想的选择。

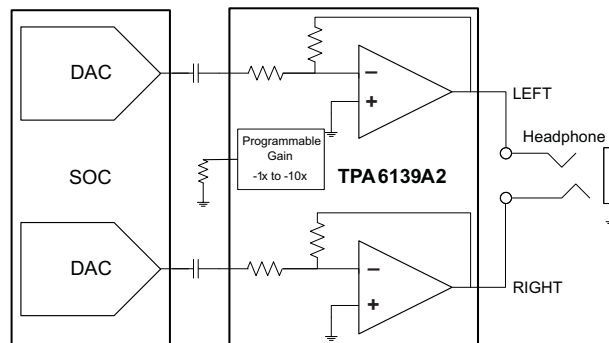
TPA6139A2 既不需要采用一个高于 3.3 V 的电源来产生其 25 mW 输出功率, 也不需要一个分离轨电源。

TPA6139A2 的设计运用了 TI 的 DirectPath™ 专利技术, 它集成了充电泵以产生一个负电源轨, 可提供一个干净、无噼啪声的接地偏置输出。TPA6139A2 能够向 32 Ω 负载输送 25 mW 驱动功率, 以及向一个 600 Ω 负载提供 2 V_{rms} 电压。另外, DirectPath 技术还允许去除昂贵的输出隔直流电容器。

该器件具有固定增益单端输入和一个增益选择引脚。通过在该引脚上使用单个电阻器, 设计人员就能够从 13 种内部可编程增益设定值中进行选择, 以使线路驱动器与编解码器输出电平相匹配。此外, 这款器件还削减了组件数量和板级空间。

头戴式耳机输出具有 ±8kV HBM ESD 保护等级, 因而实现了一种简单的 ESD 保护电路。TPA6139A2 内置了具有 >80 dB 衰减的有源静音控制功能电路, 旨在实现无噼啪声的静音接通/关断控制。

TPA6139A2 采用 14-引脚 TSSOP 封装和 16-引脚 QFN 封装。如需一款引脚兼容的 2 V_{rms} 线路驱动器, 请参见 DRV612。



Please be aware that an important notice concerning availability, standard warranty, and use in critical applications of Texas Instruments semiconductor products and disclaimers thereto appears at the end of this data sheet.

DirectPath is a trademark of Texas Instruments.

Blu-ray Disc is a trademark of Blu-ray Disc Association.

UNLESS OTHERWISE NOTED this document contains PRODUCTION DATA information current as of publication date. Products conform to specifications per the terms of Texas Instruments standard warranty. Production processing does not necessarily include testing of all parameters.

TPA6139A2

ZHCS031B – JANUARY 2011 – REVISED JUNE 2012

www.ti.com.cn



These devices have limited built-in ESD protection. The leads should be shorted together or the device placed in conductive foam during storage or handling to prevent electrostatic damage to the MOS gates.

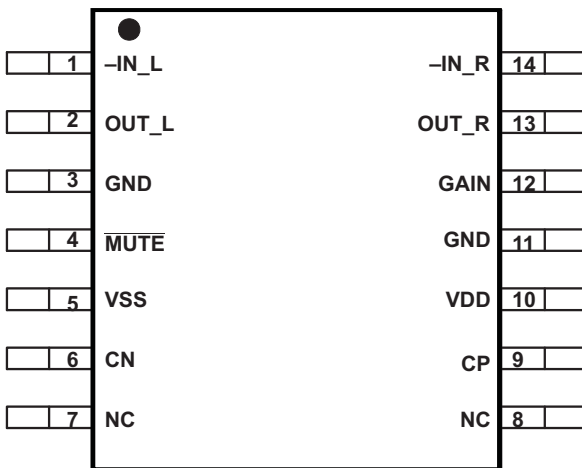
GENERAL INFORMATION

PIN ASSIGNMENT

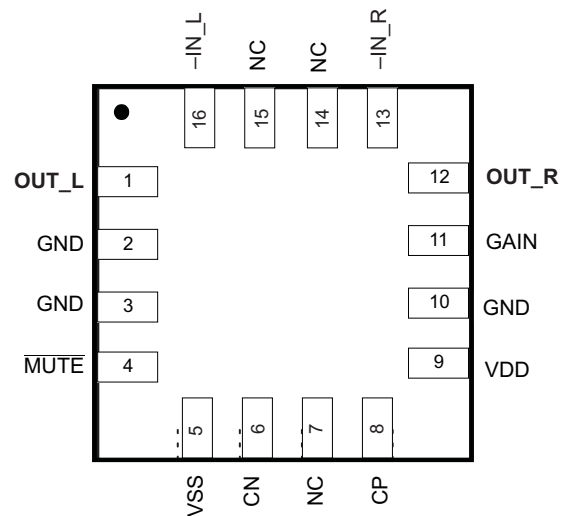
The TPA6139A2 is available in the:

- 14-pin TSSOP package (PW) or
- 16-pin QFN package (RGT)

PW PACKAGE
TSSOP
(TOP VIEW)



RGT PACKAGE
QFN
(TOP VIEW)

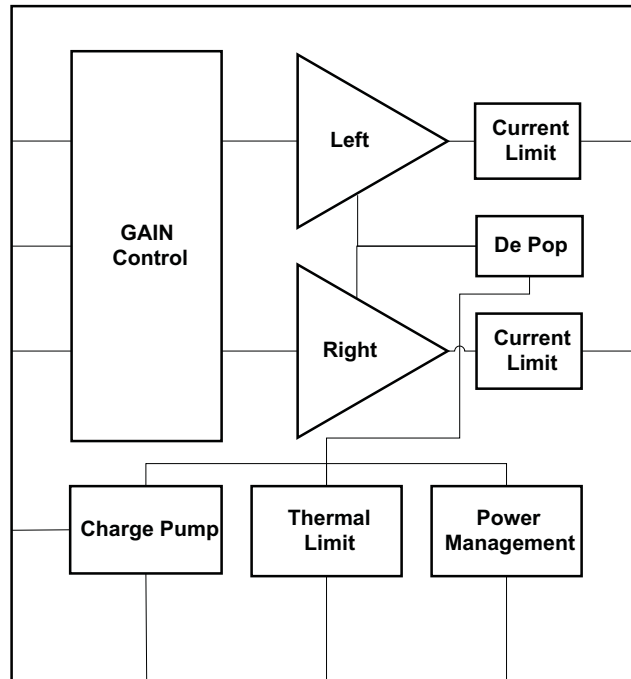


PIN FUNCTIONS

PIN			FUNCTION ⁽¹⁾	DESCRIPTION
NAME	PW NO.	RGT NO.		
-IN_L	1	16	I	Negative input, left channel
OUT_L	2	1	O	Output, left channel
GND	3, 11	2, 3, 10	P	Ground
$\overline{\text{MUTE}}$	4	4	I	MUTE, active low
VSS	5	5	O	Charge Pump negative supply voltage
CN	6	6	I/O	Charge Pump flying capacitor negative connection
NC	7, 8	7, 14, 15		No internal connection
CP	9	8	I/O	Charge Pump flying capacitor positive connection
VDD	10	9	P	Supply voltage, connect to positive supply
GAIN	12	11	I	Gain set programming pin; connect a resistor to ground. See Table 1 for recommended resistor values
OUT_R	13	12	O	Output, right channel
-IN_R	14	13	I	Negative input, right channel

(1) I = input, O = output, P = power

SYSTEM BLOCK DIAGRAM



ORDERING INFORMATION⁽¹⁾

T _A	PACKAGE	DESCRIPTION
–40°C to 85°C	TPA6139A2PW	14-pin TSSOP
–40°C to 85°C	TPA6139A2RGT	16-pin QFN

(1) For the most current package and ordering information, see the Package Option Addendum at the end of this document, or see the TI Web site at www.ti.com.

THERMAL INFORMATION

THERMAL METRIC ⁽¹⁾		TPA6139A2 PW (14-Pin)	TPA6139A2 RGT (16-Pin)	UNITS
θ_{JA}	Junction-to-ambient thermal resistance	130	52	°C/W
θ_{JcTop}	Junction-to-case (top) thermal resistance	49	71	
θ_{JB}	Junction-to-board thermal resistance	63	26	
ψ_{JT}	Junction-to-top characterization parameter	3.6	3.0	
ψ_{JB}	Junction-to-board characterization parameter	62	26	
θ_{JcBot}	Junction-to-case (bottom) thermal resistance	N/A	9.8	

(1) For more information about traditional and new thermal metrics, see the *IC Package Thermal Metrics* application report, SPRA953.

TPA6139A2

ZHCS031B – JANUARY 2011 – REVISED JUNE 2012

www.ti.com.cn

ABSOLUTE MAXIMUM RATINGS⁽¹⁾

over operating free-air temperature range (unless otherwise noted)

		VALUE	UNIT
VDD to GND		–0.3 to 4	V
Input voltage, V_i		VSS–0.3 to VDD+0.3	V
$\overline{\text{MUTE}}$ to GND		–0.3 to VDD+0.3	V
Maximum operating junction temperature range, T_j		–40 to 150	°C
Storage temperature		–40 to 150	°C
Lead temperature		260	°C
ESD Protection – HBM	OUT_L, OUT_R	8	kV
	All other pins	2	kV

(1) Stresses beyond those listed under *absolute maximum ratings* may cause permanent damage to the device. These are stress ratings only, and functional operation of the device at these or any other conditions beyond those indicated under *recommended operating conditions* is not implied. Exposure to absolute-maximum-rated conditions for extended periods may affect device reliability.

RECOMMENDED OPERATING CONDITIONS

over operating free-air temperature range unless otherwise noted

			MIN	NOM	MAX	UNIT
VDD	Supply voltage	DC supply voltage	3.0	3.3	3.6	V
R_L				5		k Ω
V_{IL}	Low-level input voltage	$\overline{\text{MUTE}}$	38	40	43	%PVDD
V_{IH}	High-level input voltage	$\overline{\text{MUTE}}$	57	60	66	%PVDD
T_A	Free-air temperature		–40	25	85	°C

ELECTRICAL CHARACTERISTICS

 VDD = 3.3V, R_{Load} = 32Ω, T_A = 25°C, Charge pump: C_{CP} = 1.0 μF (unless otherwise noted)

PARAMETER		TEST CONDITIONS	MIN	TYP	MAX	UNIT
V _{OS}	Output offset voltage	VDD = 3.3 V, input ac-coupled		0.5	1	mV
PSRR	Power-supply rejection ratio		70	80		dB
V _{OH}	High-level output voltage	VDD = 3.3 V	3.1			V
V _{OL}	Low-level output voltage	VDD = 3.3 V			-3.05	V
V _{uvp_on}	PVDD, under voltage detection				2.8	V
V _{uvp_hysteresis}	PVDD, under voltage detection, hysteresis			200		mV
F _{cp}	Charge pump switching frequency			350		kHz
I _{IH}	High-level input current, $\overline{\text{MUTE}}$	VDD = 3.3 V, V _{IH} = VDD			1	μA
I _{IL}	Low-level input current, $\overline{\text{MUTE}}$	VDD = 3.3 V, V _{IL} = 0 V			1	μA
I (VDD)	Supply current, no load	VDD, $\overline{\text{MUTE}} = 3.3 \text{ V}$		25		mA
	Supply current, MUTED	VDD = 3.3 V, $\overline{\text{MUTE}} = \text{GND}$		25		mA
T _{sd}	Thermal shutdown			150		°C
	Thermal shutdown hysteresis			15		°C
P _O	Output Power, outputs in phase	THD+N = 1%, f = 1kHz, 32Ω load		25		mW
V _O	Output Voltage, outputs in phase	THD+N = 1%, f = 1kHz, 32Ω load		0.9		V _{rms}
		THD+N = 1%, f = 1kHz, 600Ω load		2.0		
THD+N	Total Harmonic distortion plus noise	f = 1kHz, 32Ω load, P _o = 25mW, -1x gain		0.03%		
THD+N	Total Harmonic distortion plus noise	f = 1kHz, 10kΩ load, V _o = 2 V _{rms} , -1x gain		0.005%		
ΔA _v	Gain matching	Between left and right channels		0.25		dB
Z _O	Output impedance when muted	$\overline{\text{MUTE}} = \text{GND}$			1	Ω
	Input to output attenuation when muted	$\overline{\text{MUTE}} = \text{GND}$		80		dB
SNR	Signal to noise ratio	A-weighted, AES17 filter, 1V _{rms} ref 32Ω load, -1x gain		99		dB
	Signal to noise ratio	A-weighted, AES17 filter, 2V _{rms} ref 600Ω load, -1x gain		105		dB
V _n	Noise voltage	A-weighted, AES17 filter, Gain = -2x		12		μV
	Slew rate			4.5		V/μs
G _{bw}	Unity Gain bandwidth			8		MHz
Crosstalk	Channel to channel	f = 1kHz, R _{load} = 32Ω, P _o = 25mW		-85		dB
V _{incm_pos}	Positive Common mode input voltage			+2.0		V
V _{incm_neg}	Negative Common mode input voltage			-2.0		V
I _{lim}	Output current limit			60		mA

TPA6139A2

ZHCS031B – JANUARY 2011 – REVISED JUNE 2012

www.ti.com.cn

PROGRAMMABLE GAIN SETTINGS

 $V_{DD} = 3.3\text{ V}$, $R_{load} = 32\text{ k}\Omega$, $T_A = 25^\circ\text{C}$, Charge pump: = $C_{CP} 1\ \mu\text{F}$, $C_{IN} = 1.0\ \mu\text{F}$, 1 x gain select (unless otherwise noted)⁽¹⁾

PARAMETER	TEST CONDITIONS	TPA6139A2			UNIT
		MIN	TYP	MAX	
R_Tol Gain programming resistor tolerance				2%	
ΔA_V Gain matching	Between left and right channels		0.25		dB
	Gain step tolerance		0.10		dB
Gain steps	Gain resistor 2% tolerance				V/V
	249k or higher		-2.0		
	82k0		-1.0		
	49k2		-1.5		
	35k1		-2.3		
	27k3		-2.5		
	20k5		-3.0		
	15k4		-3.5		
	11k5		-4.0		
	9k09		-5.0		
	7k50		-5.6		
	6k19		-6.4		
5k11		-8.3			
3k90		-10.0			
Input impedance	Gain resistor 2% tolerance				k Ω
	249k or higher		37		
	82k0		55		
	49k2		44		
	35k1		33		
	27k3		31		
	20k5		28		
	15k4		24		
	11k5		22		
	9k09		18		
	7k50		17		
	6k19		15		
5k11		12			
3k90		10.0			

- (1) If pin 12, GAIN, is left floating an internal pull-up sets the gain to -2.0x
Gain setting is latched during power-up

TYPICAL CHARACTERISTICS, LINE DRIVER

$V_{DD} = 3.3\text{ V}$, $T_A = 25^\circ\text{C}$, $R_L = 2.5\text{ k}\Omega$, $C_{PUMP} = C_{(VSS)} = 10\text{ }\mu\text{F}$, Gain Step = -2V/V (unless otherwise noted)

THD+N vs OUTPUT VOLTAGE
3.3 V, 100 k Ω , 1 kHz

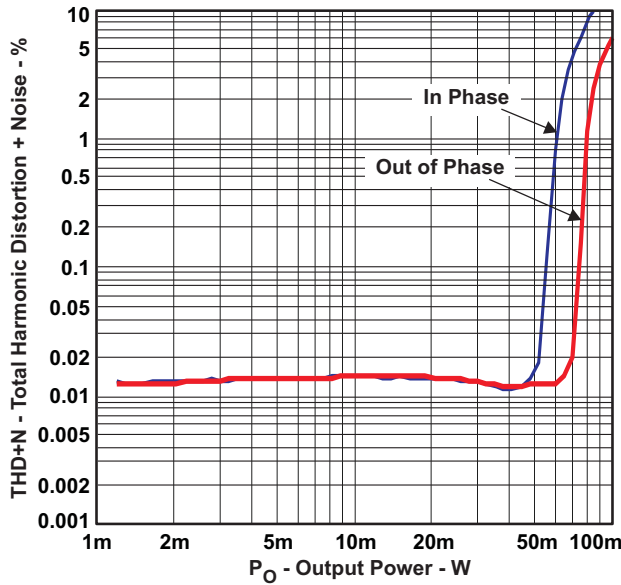


Figure 1.

THD+N vs OUTPUT VOLTAGE
3.3 V, 600 Ω load, 1 kHz

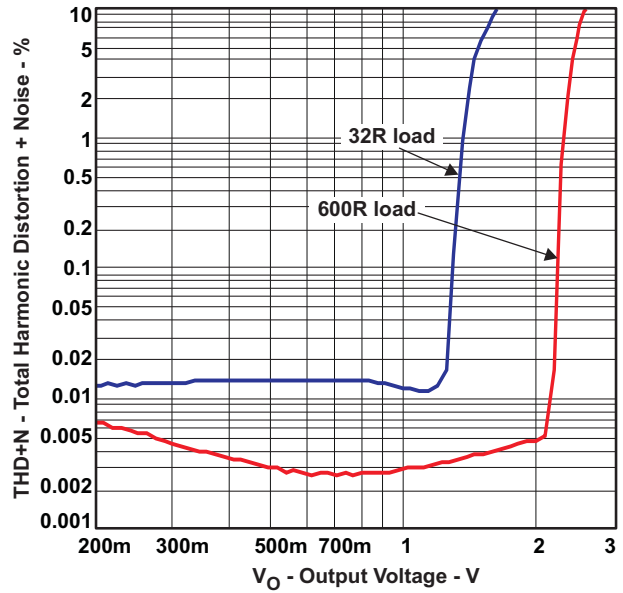


Figure 2.

CHANNEL SEPARATION
3.3 V, 5 k Ω load, 2 Vrms, Blue L to R, Red R to L

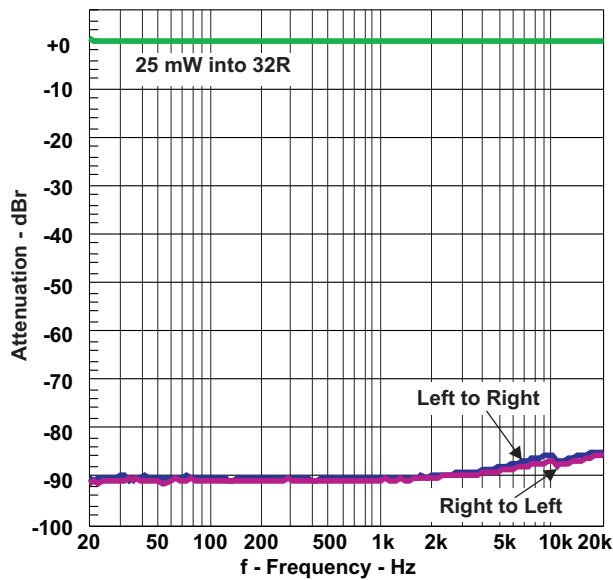


Figure 3.

FFT

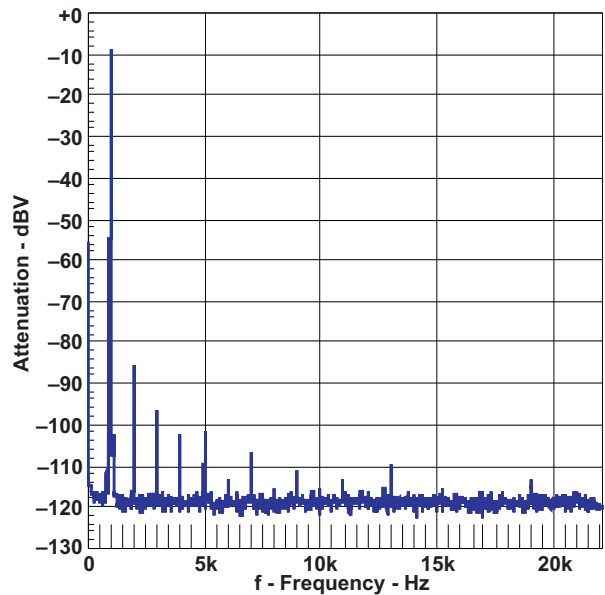


Figure 4.

TPA6139A2

ZHCS031B – JANUARY 2011 – REVISED JUNE 2012

www.ti.com.cn

TYPICAL CHARACTERISTICS, LINE DRIVER (continued)

$V_{DD} = 3.3\text{ V}$, $T_A = 25^\circ\text{C}$, $R_L = 2.5\text{ k}\Omega$, $C_{PUMP} = C_{(VSS)} = 10\text{ }\mu\text{F}$, Gain Step = -2V/V (unless otherwise noted)

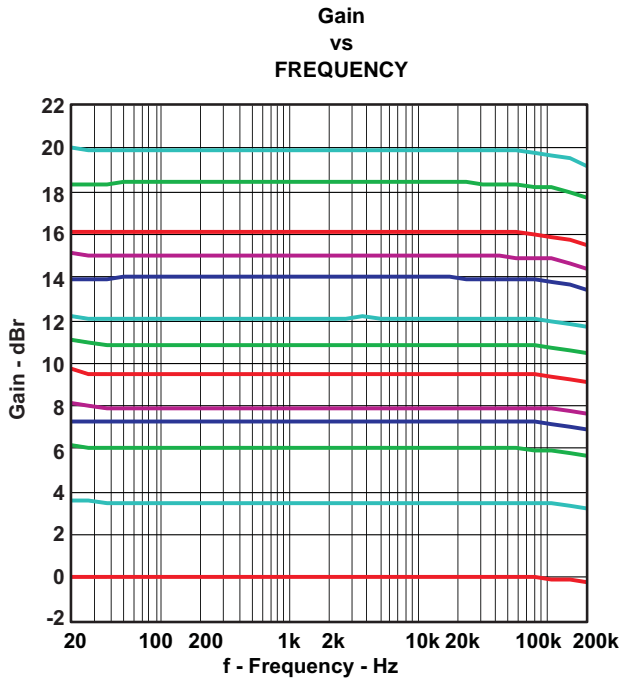


Figure 5.

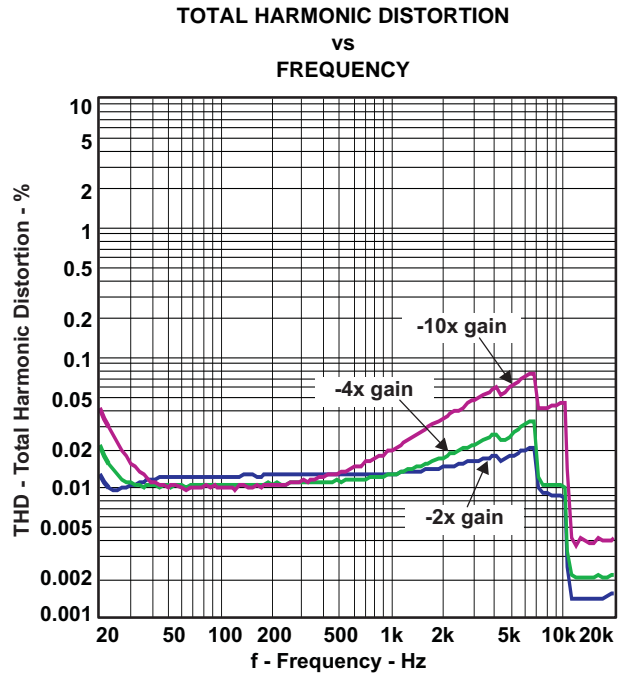


Figure 6.

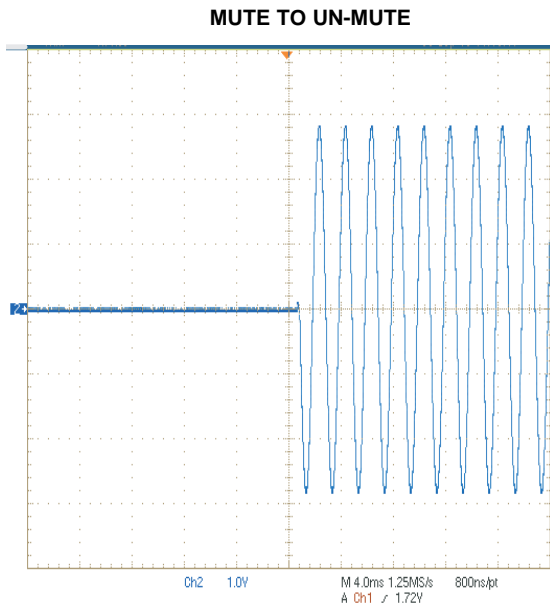


Figure 7.

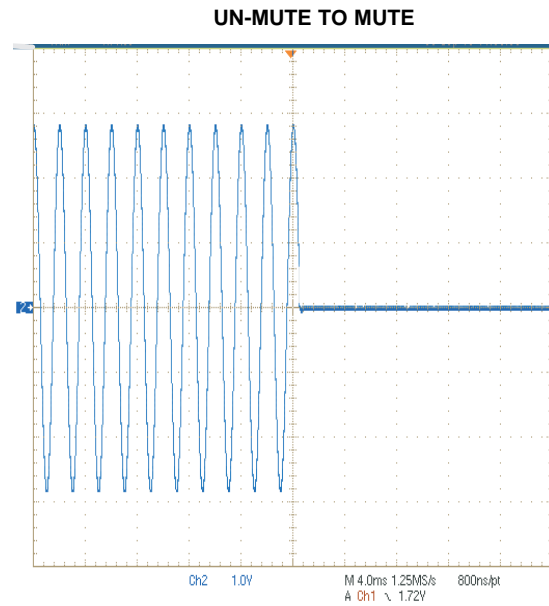


Figure 8.

APPLICATION INFORMATION

LINE DRIVER AMPLIFIERS

Single-supply line-driver amplifiers typically require dc-blocking capacitors. The top drawing in [Figure 9](#) illustrates the conventional line-driver amplifier connection to the load and output signal.

DC blocking capacitors are often large in value, and a mute circuit is needed during power up to minimize click and pop. The output capacitor and mute circuit consume PCB area and increase cost of assembly, and can reduce the fidelity of the audio output signal.

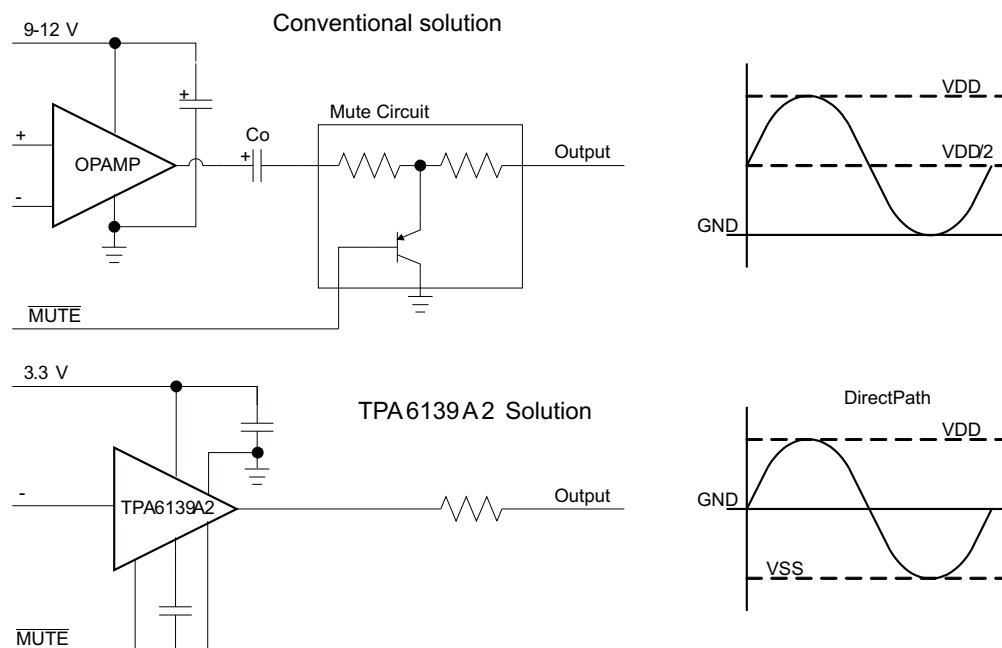


Figure 9. Conventional and DirectPath Line Driver

The DirectPath™ amplifier architecture operates from a single supply but makes use of an internal charge pump to provide a negative voltage rail.

Combining the user-provided positive rail and the negative rail generated by the IC, the device operates in what is effectively a split supply mode.

The output voltages are now centered at zero volts with the capability to swing to the positive rail or negative rail. Combining this with the built-in click and pop reduction circuit, the DirectPath™ amplifier requires no output dc blocking capacitors.

The bottom block diagram and waveform of [Figure 9](#) illustrate the ground-referenced line-driver architecture. This is the architecture of the TPA6139A2.

COMPONENT SELECTION

Charge Pump

The charge pump flying capacitor serves to transfer charge during the generation of the negative supply voltage. The VSS capacitor must be at least equal to the charge pump capacitor in order to allow maximum charge transfer. Low ESR capacitors are an ideal selection, and a value of 1 μ F is typical. Capacitor values that are smaller than 1 μ F cannot be recommended as it limits the negative voltage swing in low impedance loads.

Decoupling Capacitors

The TPA6139A2 is a DirectPath™ amplifier that requires adequate power supply decoupling to ensure that the noise and total harmonic distortion (THD) are low. A good low equivalent-series-resistance (ESR) ceramic capacitor, typically 1 μ F, placed as close as possible to the device VDD leads works best. Placing this decoupling capacitor close to the TPA6139A2 is important for the performance of the amplifier. For filtering lower frequency noise signals, a 10- μ F or greater capacitor placed near the audio power amplifier also helps, but it is not required in most applications because of the high PSRR of this device.

Gain-Setting

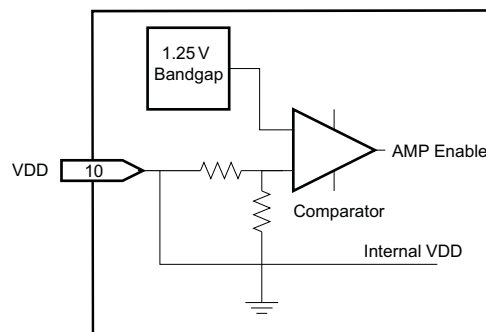
The gain setting is programmed with the GAIN pin individually for line driver and headphone section. Gain setting is latched when the MUTE pin is set high. Table 1 lists the gain settings. The default gain with the gain-set pin left open is $-2x$.

Table 1. Gain Settings

Gain_set RESISTOR	GAIN	GAIN (dB)	INPUT RESISTANCE
No connect	$-2.0x$	6.0	37k
82k0	$-1.0x$	0.0	55k
49k2	$-1.5x$	3.5	44k
35k1	$-2.3x$	7.2	33k
27k3	$-2.5x$	8.0	31k
20k5	$-3.0x$	9.5	28k
15k4	$-3.5x$	10.9	24k
11k5	$-4.0x$	12.0	22k
9k09	$-5.0x$	14.0	18k
7k50	$-5.6x$	15.0	17k
6k19	$-6.4x$	16.1	15k
5k11	$-8.3x$	18.4	12k
3k90	$-10x$	20.0	10k

Internal Under Voltage Detection

The TPA6139A2 contains an internal precision band gap reference voltage and a comparator used to monitor the supply voltage, VDD. The internal VDD monitor is set at 2.8V with 200mV hysteresis.



Input-Blocking Capacitors

DC input-blocking capacitors are required to be added in series with the audio signal into the input pins of the TPA6139A2. These capacitors block the dc portion of the audio source and allow the TPA6139A2 inputs to be properly biased to provide maximum performance. The input blocking capacitors also limit the DC gain to 1, limiting the DC-offset voltage at the output.

These capacitors form a high-pass filter with the input resistor, R_{IN} . The cutoff frequency is calculated using Equation 1. For this calculation, the capacitance used is the input-blocking capacitor and the resistance is the input resistor chosen from Table 1. Then the frequency and/or capacitance can be determined when one of the two values is given.

$$f_{C_{IN}} = \frac{1}{2\pi R_{IN} C_{IN}} \quad \text{or} \quad C_{IN} = \frac{1}{2\pi f_{C_{IN}} R_{IN}} \quad (1)$$

For a fixed cutoff frequency of 2Hz the size of the input capacitance is shown in the table below with the capacitors rounded up to nearest E6 values. For 20Hz cutoff simply divide the capacitor values with 10; e.g., for 1x gain, 150nF is needed.

Table 2. Input Capacitor for Different Gain and Cutoff

Gain_set RESISTOR	GAIN	Gain (dB)	INPUT RESISTANCE	2 Hz Cutoff
249k	-2.0x	6.0	37k	2.2 μ F
82k0	-1.0x	0.0	55k	1.5 μ F
49k2	-1.5x	3.5	44k	2.2 μ F
35k1	-2.3x	7.2	33k	3.3 μ F
27k3	-2.5x	8.0	31k	3.3 μ F
20k5	-3.0x	9.5	28k	3.3 μ F
15k4	-3.5x	10.9	24k	3.3 μ F
11k5	-4.0x	12.0	22k	4.7 μ F
9k09	-5.0x	14.0	18k	4.7 μ F
7k50	-5.6x	15.0	17k	4.7 μ F
6k19	-6.4x	16.1	15k	6.8 μ F
5k11	-8.3x	18.4	12k	6.8 μ F
3k90	-10x	20.0	10k	10 μ F

Pop-Free Power Up

Pop-free power up is ensured by keeping the $\overline{\text{MUTE}}$ low during power supply ramp up and down. The pin should be kept low until the input AC-coupling capacitors are fully charged before asserting the $\overline{\text{MUTE}}$ pin high to pre-charge the ac-coupling; and, pop-less power-up is achieved. Figure 10 illustrates the preferred sequence.

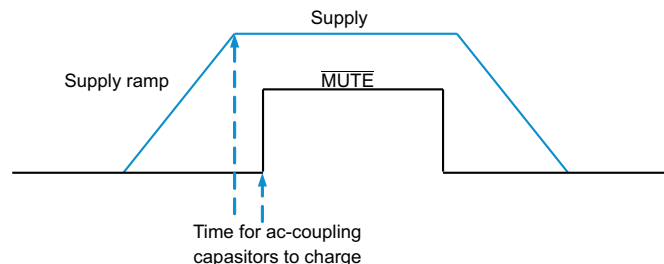


Figure 10. Power-Up Sequence

TPA6139A2

ZHCS031B – JANUARY 2011 – REVISED JUNE 2012

www.ti.com.cn

CAPACITIVE LOAD

The TPA6139A2 has the ability to drive a high capacitive load up to 220 pF directly. Higher capacitive loads can be accepted by adding a series resistor of 47 Ω or larger for the line driver output.

LAYOUT RECOMMENDATIONS

A proposed layout for the TPA6139A2 can be seen in the TPA6139A2EVM User's Guide (SLOU248), and the Gerber files can be downloaded from <http://focus.ti.com/docs/toolsw/folders/print/TPA6139A2evm.html>. To access this information, open the TPA6139A2 product folder and look in the Tools and Software folder.

Ground traces are recommended to be routed as a star ground to minimize hum interference. VDD, VSS decoupling capacitors and the charge pump capacitors should be connected with short traces.

PIN COMPATIBLE WITH THE DRV612

The TPA6139A2 stereo Headphone amplifier is pin compatible with the DRV612 . A single PCB layout can therefore be used with stuffing options for different board configurations.

APPLICATION CIRCUIT

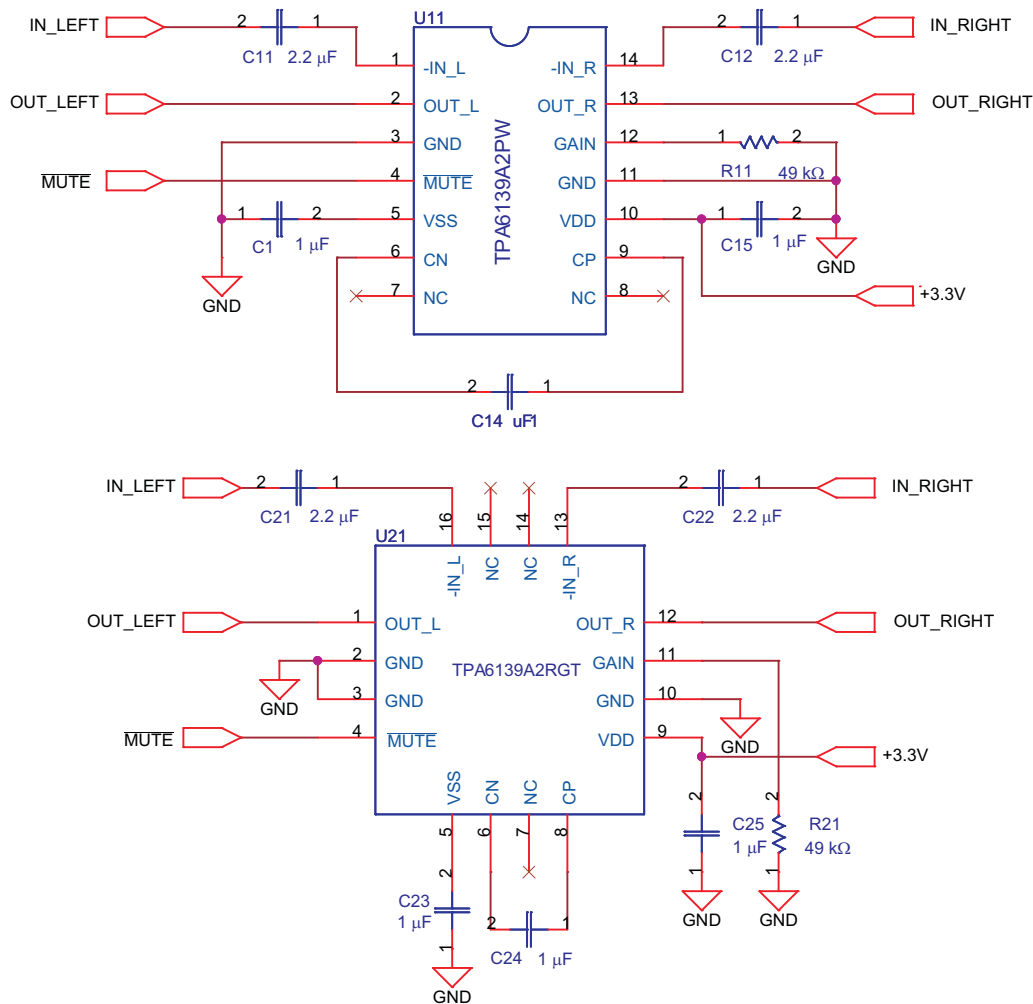


Figure 11. Single Ended Input and Output, Gain Set to -1.5x

REVISION HISTORY

NOTE: Page numbers in current version may differ from previous versions.

Changes from Original (January 2011) to Revision A	Page
• Changed "2.5-mW" to "25-mW" in Title line and added revision A - May 2011 pub date to Header information	1
• Changed pin assignment figures to match package outline drawings	2
• Changed conditions statement from " $R_{IN} = 10\text{ k}\Omega$, $R_{fb} = 20\text{ k}\Omega$ " to "Step = $-2V/V$ " for TYP CHARA, LINE DRIVER section	7
• Changed conditions statement from " $R_{IN} = 10\text{ k}\Omega$, $R_{fb} = 20\text{ k}\Omega$ " to "Step = $-2V/V$ " for TYP CHARA, LINE DRIVER section	8
Changes from Revision A (May 2011) to Revision B	
• Changed the RGT package From: Preview To: Production	2

PACKAGING INFORMATION

Orderable Device	Status (1)	Package Type	Package Drawing	Pins	Package Qty	Eco Plan (2)	Lead finish/ Ball material (6)	MSL Peak Temp (3)	Op Temp (°C)	Device Marking (4/5)	Samples
TPA6139A2PW	ACTIVE	TSSOP	PW	14	90	RoHS & Green	NIPDAU	Level-2-260C-1 YEAR	-40 to 85	TPA6139	Samples
TPA6139A2PWR	ACTIVE	TSSOP	PW	14	2000	RoHS & Green	NIPDAU	Level-2-260C-1 YEAR	-40 to 85	TPA6139	Samples
TPA6139A2RGTR	ACTIVE	VQFN	RGT	16	3000	RoHS & Green	NIPDAU	Level-2-260C-1 YEAR	-40 to 150	T6139	Samples
TPA6139A2RGTT	ACTIVE	VQFN	RGT	16	250	RoHS & Green	NIPDAU	Level-2-260C-1 YEAR	-40 to 150	T6139	Samples

(1) The marketing status values are defined as follows:

ACTIVE: Product device recommended for new designs.

LIFEBUY: TI has announced that the device will be discontinued, and a lifetime-buy period is in effect.

NRND: Not recommended for new designs. Device is in production to support existing customers, but TI does not recommend using this part in a new design.

PREVIEW: Device has been announced but is not in production. Samples may or may not be available.

OBSOLETE: TI has discontinued the production of the device.

(2) **RoHS:** TI defines "RoHS" to mean semiconductor products that are compliant with the current EU RoHS requirements for all 10 RoHS substances, including the requirement that RoHS substance do not exceed 0.1% by weight in homogeneous materials. Where designed to be soldered at high temperatures, "RoHS" products are suitable for use in specified lead-free processes. TI may reference these types of products as "Pb-Free".

RoHS Exempt: TI defines "RoHS Exempt" to mean products that contain lead but are compliant with EU RoHS pursuant to a specific EU RoHS exemption.

Green: TI defines "Green" to mean the content of Chlorine (Cl) and Bromine (Br) based flame retardants meet JS709B low halogen requirements of <=1000ppm threshold. Antimony trioxide based flame retardants must also meet the <=1000ppm threshold requirement.

(3) MSL, Peak Temp. - The Moisture Sensitivity Level rating according to the JEDEC industry standard classifications, and peak solder temperature.

(4) There may be additional marking, which relates to the logo, the lot trace code information, or the environmental category on the device.

(5) Multiple Device Markings will be inside parentheses. Only one Device Marking contained in parentheses and separated by a "-" will appear on a device. If a line is indented then it is a continuation of the previous line and the two combined represent the entire Device Marking for that device.

(6) Lead finish/Ball material - Orderable Devices may have multiple material finish options. Finish options are separated by a vertical ruled line. Lead finish/Ball material values may wrap to two lines if the finish value exceeds the maximum column width.

Important Information and Disclaimer: The information provided on this page represents TI's knowledge and belief as of the date that it is provided. TI bases its knowledge and belief on information provided by third parties, and makes no representation or warranty as to the accuracy of such information. Efforts are underway to better integrate information from third parties. TI has taken and

continues to take reasonable steps to provide representative and accurate information but may not have conducted destructive testing or chemical analysis on incoming materials and chemicals. TI and TI suppliers consider certain information to be proprietary, and thus CAS numbers and other limited information may not be available for release.

In no event shall TI's liability arising out of such information exceed the total purchase price of the TI part(s) at issue in this document sold by TI to Customer on an annual basis.

TAPE AND REEL INFORMATION

QUADRANT ASSIGNMENTS FOR PIN 1 ORIENTATION IN TAPE


*All dimensions are nominal

Device	Package Type	Package Drawing	Pins	SPQ	Reel Diameter (mm)	Reel Width W1 (mm)	A0 (mm)	B0 (mm)	K0 (mm)	P1 (mm)	W (mm)	Pin1 Quadrant
TPA6139A2PWR	TSSOP	PW	14	2000	330.0	12.4	6.9	5.6	1.6	8.0	12.0	Q1

TAPE AND REEL BOX DIMENSIONS


*All dimensions are nominal

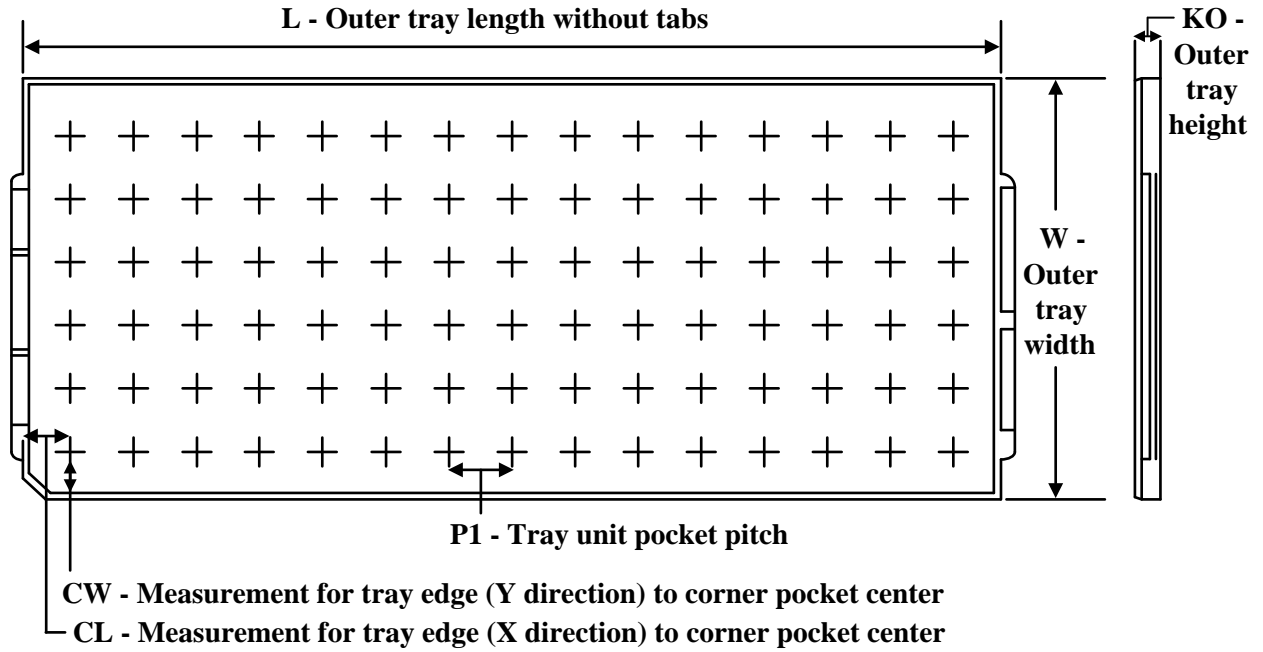
Device	Package Type	Package Drawing	Pins	SPQ	Length (mm)	Width (mm)	Height (mm)
TPA6139A2PWR	TSSOP	PW	14	2000	350.0	350.0	43.0

TUBE


*All dimensions are nominal

Device	Package Name	Package Type	Pins	SPQ	L (mm)	W (mm)	T (μm)	B (mm)
TPA6139A2PW	PW	TSSOP	14	90	530	10.2	3600	3.5

TRAY



Chamfer on Tray corner indicates Pin 1 orientation of packed units.

*All dimensions are nominal

Device	Package Name	Package Type	Pins	SPQ	Unit array matrix	Max temperature (°C)	L (mm)	W (mm)	K0 (µm)	P1 (mm)	CL (mm)	CW (mm)
TPA6139A2RGTR	RGT	VQFN	16	3000	35 X 14	150	315	135.9	7620	8.8	7.9	8.15
TPA6139A2RGTT	RGT	VQFN	16	250	35 X 14	150	315	135.9	7620	8.8	7.9	8.15

PW (R-PDSO-G14)

PLASTIC SMALL OUTLINE



4040064-3/G 02/11

- NOTES:
- A. All linear dimensions are in millimeters. Dimensioning and tolerancing per ASME Y14.5M-1994.
 - B. This drawing is subject to change without notice.
 -  Body length does not include mold flash, protrusions, or gate burrs. Mold flash, protrusions, or gate burrs shall not exceed 0,15 each side.
 -  Body width does not include interlead flash. Interlead flash shall not exceed 0,25 each side.
 - E. Falls within JEDEC MO-153

RGT 16

GENERIC PACKAGE VIEW

VQFN - 1 mm max height

PLASTIC QUAD FLATPACK - NO LEAD



Images above are just a representation of the package family, actual package may vary.
Refer to the product data sheet for package details.

4203495/1



SIDE WALL METAL THICKNESS DIM A	
OPTION 1	OPTION 2
0.1	0.2



4222419/D 04/2022

NOTES:

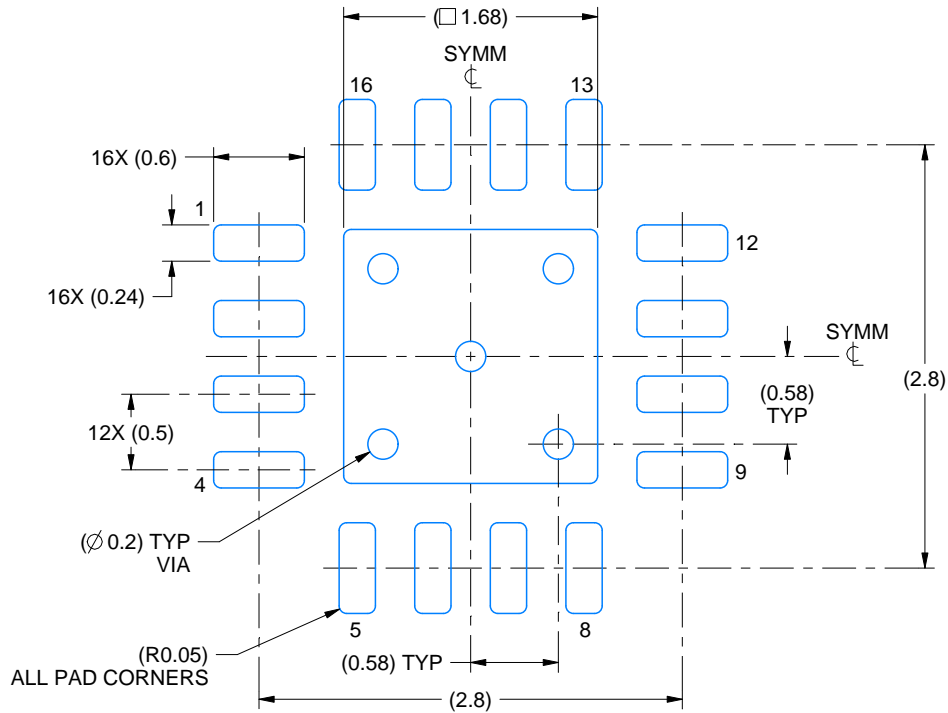
1. All linear dimensions are in millimeters. Any dimensions in parenthesis are for reference only. Dimensioning and tolerancing per ASME Y14.5M.
2. This drawing is subject to change without notice.
3. The package thermal pad must be soldered to the printed circuit board for thermal and mechanical performance.

EXAMPLE BOARD LAYOUT

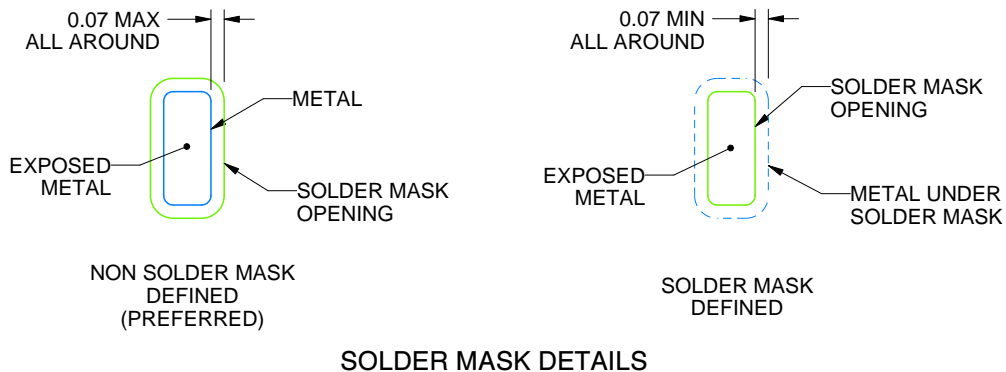
RGT0016C

VQFN - 1 mm max height

PLASTIC QUAD FLATPACK - NO LEAD



LAND PATTERN EXAMPLE
EXPOSED METAL SHOWN
SCALE:20X



SOLDER MASK DETAILS

4222419/D 04/2022

NOTES: (continued)

4. This package is designed to be soldered to a thermal pad on the board. For more information, see Texas Instruments literature number SLUA271 (www.ti.com/lit/slua271).
5. Vias are optional depending on application, refer to device data sheet. If any vias are implemented, refer to their locations shown on this view. It is recommended that vias under paste be filled, plugged or tented.

EXAMPLE STENCIL DESIGN

RGT0016C

VQFN - 1 mm max height

PLASTIC QUAD FLATPACK - NO LEAD



SOLDER PASTE EXAMPLE
BASED ON 0.125 mm THICK STENCIL

EXPOSED PAD 17:
85% PRINTED SOLDER COVERAGE BY AREA UNDER PACKAGE
SCALE:25X

4222419/D 04/2022

NOTES: (continued)

6. Laser cutting apertures with trapezoidal walls and rounded corners may offer better paste release. IPC-7525 may have alternate design recommendations.

重要声明和免责声明

TI“按原样”提供技术和可靠性数据（包括数据表）、设计资源（包括参考设计）、应用或其他设计建议、网络工具、安全信息和其他资源，不保证没有瑕疵且不做任何明示或暗示的担保，包括但不限于对适销性、某特定用途方面的适用性或不侵犯任何第三方知识产权的暗示担保。

这些资源可供使用 TI 产品进行设计的熟练开发人员使用。您将自行承担以下全部责任：(1) 针对您的应用选择合适的 TI 产品，(2) 设计、验证并测试您的应用，(3) 确保您的应用满足相应标准以及任何其他功能安全、信息安全、监管或其他要求。

这些资源如有变更，恕不另行通知。TI 授权您仅可将这些资源用于研发本资源所述的 TI 产品的应用。严禁对这些资源进行其他复制或展示。您无权使用任何其他 TI 知识产权或任何第三方知识产权。您应全额赔偿因在这些资源的使用中对 TI 及其代表造成的任何索赔、损害、成本、损失和债务，TI 对此概不负责。

TI 提供的产品受 [TI 的销售条款](#) 或 [ti.com](#) 上其他适用条款/TI 产品随附的其他适用条款的约束。TI 提供这些资源并不会扩展或以其他方式更改 TI 针对 TI 产品发布的适用的担保或担保免责声明。

TI 反对并拒绝您可能提出的任何其他或不同的条款。

邮寄地址：Texas Instruments, Post Office Box 655303, Dallas, Texas 75265
Copyright © 2024，德州仪器 (TI) 公司