



## ABSTRACT

This document describes the known exceptions to the functional specifications (advisories).

## Table of Contents

<b>1 Functional Advisories</b> .....	<b>1</b>
<b>2 Preprogrammed Software Advisories</b> .....	<b>2</b>
<b>3 Debug Only Advisories</b> .....	<b>2</b>
<b>4 Fixed by Compiler Advisories</b> .....	<b>2</b>
<b>5 Device Nomenclature</b> .....	<b>2</b>
5.1 Device Symbolization and Revision Identification.....	<b>3</b>
<b>6 Advisory Descriptions</b> .....	<b>4</b>
<b>7 Trademarks</b> .....	<b>15</b>
<b>8 Revision History</b> .....	<b>15</b>

## 1 Functional Advisories

Advisories that affect the device operation, function, or parametrics.

✓ The check mark indicates that the issue is present in the specified revision.

Errata Number	Rev B
<a href="#">CPU_ERR_02</a>	✓
<a href="#">CPU_ERR_03</a>	✓
<a href="#">FLASH_ERR_02</a>	✓
<a href="#">FLASH_ERR_04</a>	✓
<a href="#">FLASH_ERR_05</a>	✓
<a href="#">FLASH_ERR_08</a>	✓
<a href="#">I2C_ERR_04</a>	✓
<a href="#">I2C_ERR_05</a>	✓
<a href="#">I2C_ERR_06</a>	✓
<a href="#">I2C_ERR_07</a>	✓
<a href="#">I2C_ERR_08</a>	✓
<a href="#">I2C_ERR_09</a>	✓
<a href="#">I2C_ERR_10</a>	✓
<a href="#">PMCU_ERR_13</a>	✓
<a href="#">RST_ERR_01</a>	✓
<a href="#">RTC_ERR_01</a>	✓
<a href="#">SPI_ERR_04</a>	✓
<a href="#">SPI_ERR_05</a>	✓
<a href="#">SPI_ERR_06</a>	✓
<a href="#">SPI_ERR_07</a>	✓
<a href="#">SYSCTL_ERR_01</a>	✓
<a href="#">SYSCTL_ERR_02</a>	✓
<a href="#">SYSCTL_ERR_03</a>	✓

Errata Number	Rev B
<a href="#">SYSOSC_ERR_02</a>	✓
<a href="#">TIMER_ERR_04</a>	✓
<a href="#">TIMER_ERR_06</a>	✓
<a href="#">UART_ERR_01</a>	✓
<a href="#">UART_ERR_02</a>	✓
<a href="#">UART_ERR_04</a>	✓
<a href="#">UART_ERR_05</a>	✓
<a href="#">UART_ERR_06</a>	✓
<a href="#">UART_ERR_07</a>	✓
<a href="#">UART_ERR_08</a>	✓

## 2 Preprogrammed Software Advisories

Advisories that affect factory-programmed software.

✓ The check mark indicates that the issue is present in the specified revision.

## 3 Debug Only Advisories

Advisories that affect only debug operation.

✓ The check mark indicates that the issue is present in the specified revision.

## 4 Fixed by Compiler Advisories

Advisories that are resolved by compiler workaround. Refer to each advisory for the IDE and compiler versions with a workaround.

✓ The check mark indicates that the issue is present in the specified revision.

## 5 Device Nomenclature

To designate the stages in the product development cycle, TI assigns prefixes to the part numbers of all MSP MCU devices. Each MSP MCU commercial family member has one of two prefixes: MSP or XMS. These prefixes represent evolutionary stages of product development from engineering prototypes (XMS) through fully qualified production devices (MSP).

**XMS** – Experimental device that is not necessarily representative of the final device's electrical specifications

**MSP** – Fully qualified production device

Support tool naming prefixes:

**X**: Development-support product that has not yet completed Texas Instruments internal qualification testing.

**null**: Fully-qualified development-support product.

XMS devices and X development-support tools are shipped against the following disclaimer:

"Developmental product is intended for internal evaluation purposes."

MSP devices have been characterized fully, and the quality and reliability of the device have been demonstrated fully. TI's standard warranty applies.

Predictions show that prototype devices (XMS) have a greater failure rate than the standard production devices. TI recommends that these devices not be used in any production system because their expected end-use failure rate still is undefined. Only qualified production devices are to be used.

TI device nomenclature also includes a suffix with the device family name. This suffix indicates the temperature range, package type, and distribution format.

## 5.1 Device Symbolization and Revision Identification

The package diagrams below indicate the package symbolization scheme. And [Table 5-1](#) defines the device revision to version ID mapping.

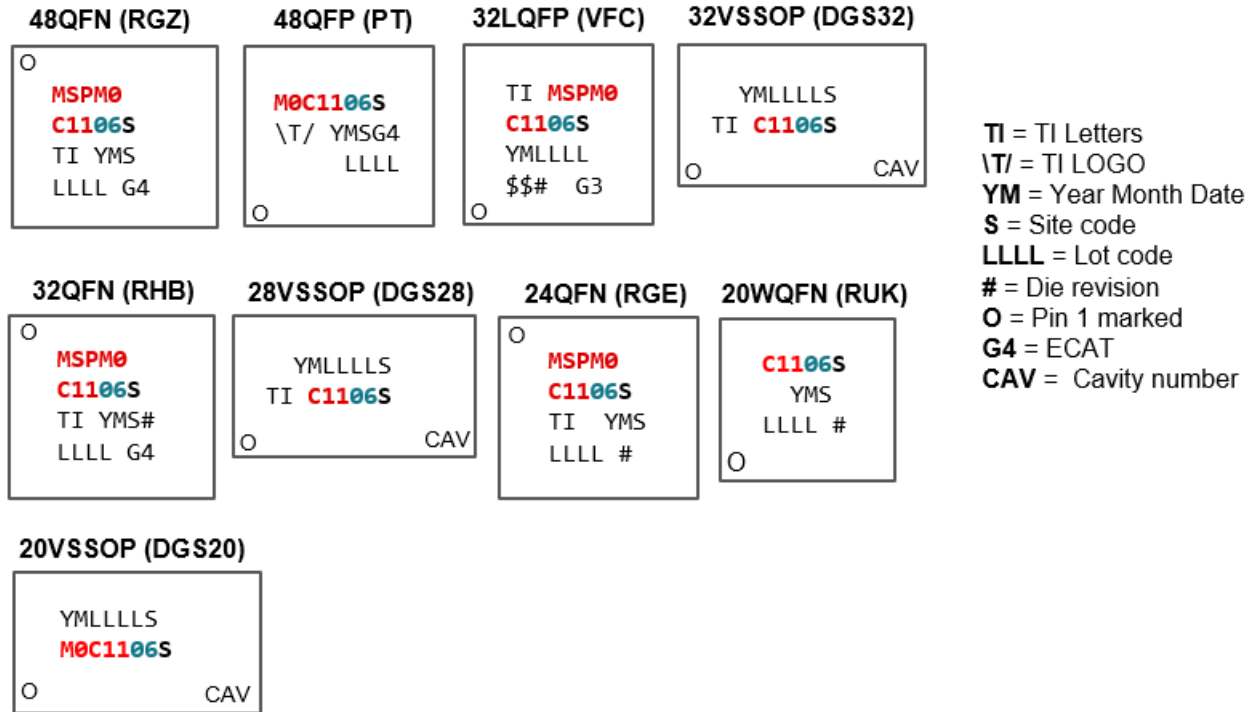


Figure 5-1. package Symbolization

Table 5-1. Die Revisions

Revision Letter	Version (in the device factory constants memory)
B	1

The revision letter indicates the product hardware revision. Advisories in this document are marked as applicable or not applicable for a given device based on the revision letter. This letter maps to an integer stored in the memory of the device, which can be used to look up the revision using application software or a connected debug probe.

## 6 Advisory Descriptions

### CPU\_ERR\_02

#### *CPU Module*

---

**Category**

Functional

**Function**

Limitation of disabling prefetch feature for CPUSS

**Description**

CPU prefetch disable will not take effect if there is a pending flash memory access.

**Workaround**

Disable prefetch, then issue a memory access to the shutdown memory (SHUTDNSTORE) in SYSCTL, this can be done with SYSCTL->SOCLOCK.SHUTDNSTORE0; After the memory access completes the prefetcher will be disabled.

### CPU\_ERR\_03

#### *CPU Module*

---

**Category**

Functional

**Function**

Prefetcher can cause data integrity issues when transitioning into SLEEP mode

**Description**

When transitioning into SLEEP0 the prefetcher can erroneously fetch incorrect data (all 0's). When coming out of sleep mode, if the prefetcher and cache do not get overwritten by ISR code, then the main code execution from flash can get corrupted. For example, if the ISR is in the SRAM, then the incorrect data that was prefetched from Flash does not get overwritten. When the ISR returns the corrupted data in the prefetcher can be fetched by the CPU resulting in incorrect instructions.

**Workaround**

Disable prefetcher before entering SLEEP.

### FLASH\_ERR\_02

#### *FLASH Module*

---

**Category**

Functional

**Function**

Debug disable in NONMAIN can be re-enable using default password

**Description**

If debug is disabled in NONMAIN configuration (DEBUGACCESS = 0x5566), the device can still be accessed using the default password.

**Workaround**

1. Set the DEBUGACCESS to Debug Enabled with Password option (DEBUGACCESS = 0xCCDD) and provide a unique password in the PWDDEBUGLOCK field. For higher security, it is recommended to have device-unique passwords that are cryptographically random. This would allow debug access with the right 128-bit password but can still allow some debug commands and access to the CFG-AP and SEC-AP.
2. Disable the physical SW Debug Port entirely by disabling SWDP\_MODE. This fully

**FLASH\_ERR\_02**

(continued)

***FLASH Module***

---

prevents any debug access or requests to the device, but may affect Failure Analysis and return flows.

**FLASH\_ERR\_04**

***FLASH Module***

---

**Category**

Functional

**Function**

Wrong Address gets reported in the SYSCTL->DEDERRADDR

**Description**

When a FLASHDED error appears the data truncates the most significant byte. In the memory limits of the device, the most significant byte does not have an impact to the return address for MAIN flash. For NONMAIN flash or Factory region the MSB can be listed as 0x41xx.xxxx

**Workaround**

If the return address of the SYSCTL\_DEDERRADDR returns a 0x00Cxxxxx, do an OR operation with 0x41000000 to get the proper address for the NONMAIN or Factory region return address. For example, if SYSCTL\_DEDERRADDR = 0x00C4013C, the real address is 0x41C4013C.

For MAIN Flash DED, the SYSCTL\_DEDERRADDR can be used as is.

**FLASH\_ERR\_05**

***FLASH Module***

---

**Category**

Functional

**Function**

DEDERRADDR can have incorrect reset value

**Description**

The reset value of the SYSCTL->DEDERRADDR can return a 0x00C4013C instead of the correct 0x00000000. The location of the error is in the Factory Trim region and is not indicative of a failure, it can be properly ignored. The reset value tends to change once NONMAIN has been programmed on the device.

**Workaround**

Accept 0x00C4013C as another reset value, so the default value from boot can be 0x00000000 or 0x00C4013C. The return value is outside of the range of the MAIN flash on the device so there is no potential of this return coming from an actual FLASH DED status.

**FLASH\_ERR\_08**

***FLASH Module***

---

**Category**

Functional

**Function**

Hard fault isn't generated for typical invalid memory region

**FLASH\_ERR\_08**

(continued)

**FLASH Module**

---

**Description**

Hard fault isn't generated while trying to access illegal memory address space as shown below: 1. 0x010053FF - 0x20000000 2. 0x40BFFFFFF - 0x41C00000 3. 0x41C007FF - 0x41C40000

**Workaround**

No

**I2C\_ERR\_04****I2C Module**

---

**Category**

Functional

**Function**

When SCL is low and SDA is high the Target i2c is not able to release the stretch.

**Description**

1: SCL line grounded and released, device indefinitely pulls SCL low.  
2: Post clock stretch, timeout, and release; if there is another clock low on the line, device indefinitely pulls SCL low.

**Workaround**

If the I2C target application does not require data reception in low power mode using Async fast clock request, disabling SWUEN by default is recommended, including during reset or power cycle. In this case, bug description 1 and 2 does not occur.

If the I2C target application requires data reception in low power mode using Async fast clock request, enable SWUEN just before entering low power and clear SWUEN after low power exit. Even in this scenario, bug description 1 and 2 can occur when the I2C target is in low power, it will indefinitely stretch the SCL line if there is a continuous clock stretching or timeout caused by another device on the bus. To recover from this situation, enable the low timeout interrupt on the I2C target device, reset and re-initialize the I2C module within the low timeout ISR.

**I2C\_ERR\_05****I2C Module**

---

**Category**

Functional

**Function**

I2C SDA may get stuck to zero if we toggle ACTIVE bit during ongoing transaction

**Description**

If ACTIVE bit is toggled during an ongoing transfer, its state machine will be reset. However, the SDA and SCL output which is driven by the I2C controller will not get reset. There is a situation where SDA is 0 and I2C controller has gone into IDLE state, here the I2C controller won't be able to move forward from the IDLE state or update the SDA value. I2C Target's BUSBUSY is set (toggling of the ACTIVE bit is leading to a start being detected on the line) and the BUSBUSY won't be cleared as the I2C controller will not be able to drive a STOP to clear it.

**Workaround**

Do not toggle the ACTIVE bit during an ongoing transaction.

<b>I2C_ERR_06</b>	<b>I2C Module</b>
<b>Category</b>	Functional
<b>Function</b>	SMBus High timeout feature fails at I2C clock less than 24KHz onwards.
<b>Description</b>	<p>SMBus High timeout feature is failing at I2C clock rate less than 24KHz onwards (20KHz, 10KHz). From SMBUS Spec, the upper limit on SCL high time during active transaction is 50us. Total time taken from writing of I2C START bit to SCL low is 60us, which is &gt;50us. It will trigger the timeout event and let I2C Controller go into IDLE without completing the transaction at the start of transfer. Below is detailed explanation.</p> <p>For SCL is configured as 20KHz, SCL low and high period is 30us and 20us respectively. First, I2C START bit write at the same time high timeout counter starts decrementing. Then, it takes one SCL low period (30us) from the START bit write to SDA goes low (start condition). Next, it takes another SCL low period (30us) from SDA goes low (start condition) to SCL goes low (data transfer starts) which should stop the high timeout counter at this point. As a total, it takes 60us from counter start to end. However, due to the upper limit(50us) of the high timeout counter, the timeout event will still be triggered although the I2C transaction is working fine without issue.</p>
<b>Workaround</b>	Do not use SMBus High timeout feature when I2C clock less than 24KHz onwards.
<b>I2C_ERR_07</b>	<b>I2C Module</b>
<b>Category</b>	Functional
<b>Function</b>	Back to back controller control register writes can cause I2C to not start.
<b>Description</b>	Back to back CTR register writes can cause the next CTR.START to not properly cause the start condition.
<b>Workaround</b>	Write all the CTR bits including CTR.START in a single write or wait between the CTR writes and CTR.START write.
<b>I2C_ERR_08</b>	<b>I2C Module</b>
<b>Category</b>	Functional
<b>Function</b>	FIFO Read directly after RXDONE interrupt causes erroneous data to be read.
<b>Description</b>	When the RXDONE interrupt happens the FIFO can not be updated for the latest data.
<b>Workaround</b>	Wait 2 I2C CLK cycles for the FIFO to make sure to have the latest data. I2C CLK is based on the CLKSEL register in the I2C registers.

<b>I2C_ERR_09</b>	<b><i>I2C Module</i></b>
<b>Category</b>	Functional
<b>Function</b>	Start address match status can not be updated in time for a read through the ISR if running I2C at slow speeds.
<b>Description</b>	If running at atypical I2C speeds (less than 100kHz) then the ADDRMATCH bit (address match in the TSR register) can not be set in time for the read through an interrupt.
<b>Workaround</b>	If running at atypical I2C speeds, wait at least 1 I2C CLK cycle before reading the ADDRMATCH bit.
<b>I2C_ERR_10</b>	<b><i>I2C Module</i></b>
<b>Category</b>	Functional
<b>Function</b>	I2C Busy status is enabled preventing low power entry.
<b>Description</b>	When in I2C Target mode, the I2C Busy Status stays high after a transaction if there is no STOP bit.
<b>Workaround</b>	Program the I2C controller to send the STOP bit and don't send a NACK for the last byte. Any I2C transfer can always be terminated with a STOP condition to provide proper BUSY status and Asynchronous clock request behavior (for low power mode reentry).
<b>PMCU_ERR_13</b>	<b><i>PMCU Module</i></b>
<b>Category</b>	Functional
<b>Function</b>	MCU may get stuck while waking up from STOP2 & STANDBY0 at certain scenario
<b>Description</b>	When there is a pending prefetch access before device transitions to STOP2 & STANDBY0. A pending prefetch access such as a timer has just run to completion and DMA has received the event from the GPIO, in that scenario neither DMA transfer happens nor timer ISR execution takes place as well as CPU gets stuck. This issue arises when WFI instruction is half word aligned, wait state of device is 2 and there is a pending prefetch access before device transitions to LPM.
<b>Workaround</b>	Before going to LPM, customer can disable the prefetch and run some dummy instructions (like shutdown register read or any peripheral read) which doesn't access prefetch so that prefetch can get disabled and doesn't cause the device to hang when waking up from LPM as no prefetch access will be pending.



<b>RST_ERR_01</b>	<b><i>RST Module</i></b>
<b>Category</b>	Functional
<b>Function</b>	NRST release doesn't get detected when LFCLK_IN is LFCLK source and LFCLK_IN gets disabled
<b>Description</b>	When LFCLK = LFCLK_IN and we disable the LFCLK_IN, then comes a corner scenario where NRST pulse edge detection is missed and the device doesn't come out of reset. This issue is seen if the NRST pulse width is below 608us. NRST pulse above 608us, the reset can appear normally.
<b>Workaround</b>	Keep the NRST pulse width higher than 608us to avoid this issue.
<b>RTC_ERR_01</b>	<b><i>RTC Module</i></b>
<b>Category</b>	Functional
<b>Function</b>	Some RTC Interrupts are not available in STANDBY1
<b>Description</b>	When in STANDBY1, the RTCRDY and RTC_PRESCALER1 interrupts cannot wakeup the device.
<b>Workaround</b>	When waking up the device from STANDBY1 with the RTC, use other available interrupts such as RTC_ALARM and RTC_PRESCALER0.
<b>SPI_ERR_04</b>	<b><i>SPI Module</i></b>
<b>Category</b>	Functional
<b>Function</b>	IDLE/BUSY status toggle after each frame receive when SPI peripheral is in only receive mode.
<b>Description</b>	In case of SPI peripheral in only receive mode, the IDLE interrupt and BUSY status are toggling after each frame receive while SPI is receiving data continuously(SPI_PHASE=1). Here there is no data loaded into peripheral TXFIFO and TXFIFO is empty.
<b>Workaround</b>	Do not use SPI peripheral only receive mode. Set SPI peripheral in transmit and receive mode. You do not need to set any data in the TX FIFO for SPI.
<b>SPI_ERR_05</b>	<b><i>SPI Module</i></b>
<b>Category</b>	Functional

**SPI\_ERR\_05**

(continued)

**SPI Module**

---

**Function**

SPI Peripheral Receive Timeout interrupt is setting irrespective of RXFIFO data

**Description**

When using the SPI timeout interrupt the RXTIMEOUT can continue decrementing even after the final SPI CLK is received, which can cause a false RXTIMEOUT.

**Workaround**

Disable the RXTIMEOUT after the last packet is received (this can be done in the ISR) and re-enable when SPI communication starts again.

**SPI\_ERR\_06****SPI Module**

---

**Category**

Functional

**Function**

IDLE/BUSY status does not reflect the correct status of SPI IP when debug halt is asserted

**Description**

IDLE/BUSY is independent of halt, it is only gating the RXFIFO/TXFIFO writing/reading strobes. So, if controller is sending data, although it's not latched in FIFO but the BUSY is getting set. The POCI line transmits the previously transmitted data on the line during halt

**Workaround**

Don't use IDLE/BUSY status when SPI IP is halted.

**SPI\_ERR\_07****SPI Module**

---

**Category**

Functional

**Function**

SPI underflow event can not generate if read/write to TXFIFO happen at the same time for SPI peripheral

**Description**

When SPH = 0 and device is configured as the SPI peripheral: if there is a write to the TXFIFO WHILE there is a read request, then an underflow event can not be generated as the read/write request is happening simultaneously.

**Workaround**

Customer must verify that TXFIFO on peripheral can never be empty when the controller is addressing the peripheral. Additionally, data checking strategies, like CRC, can be used to verify the packets were sent properly.

**SYSCTL\_ERR\_01** **SYSCTL Module**

---

**Category**

Functional

**Function**

SW-POR functionality is combined with HW-POR

## **SYSCTL\_ERR\_01**

(continued)

### **SYSCTL Module**

---

#### **Description**

When a user writes to the LFSSRST register with the correct key to generate a software-triggered POR, the RSTCAUSE register will display 0x2 (indicating an NRST-triggered POR) instead of the expected 0x3 (Software-Triggered POR). This occurs because the SW-POR functionality is combined with the HW-POR path.

#### **Workaround**

No

## **SYSCTL\_ERR\_02**

### **SYSCTL Module**

---

#### **Category**

Functional

#### **Function**

SYSSTATUS.FLASHSEC is non-zero after a BOOTRST

#### **Description**

After BOOTRST/ bootcode completion SYSSTATUS.FLASHSEC is non-zero. This the customer will see after bootcode completion.

#### **Workaround**

No

## **SYSCTL\_ERR\_03**

### **SYSCTL Module**

---

#### **Category**

Functional

#### **Function**

DEDERRADDR persists after a SYSRESET or a write to the SYSSTATUSCLR

#### **Description**

DEDERRADDR persists after either a SYSRESET or a write to the SYSSTATUSCLR register. Its value is overwritten only when a new FLASHDED error occurs. This behavior contradicts the Technical Reference Manual (TRM), which specifies its initial reset value as zero.

#### **Workaround**

No

## **SYSOSC\_ERR\_02**

### **SYSOSC Module**

---

#### **Category**

Functional

#### **Function**

MFCLK does not work when Async clock request is received in an LPM where SYSOSC was disabled in FCL mode

#### **Description**

MFCLK will not start to toggle in below scenario:  
 1. FCL mode is enabled and then MFCLK is enabled  
 2. Enter a low power mode where SYSOSC is disabled (SLEEP2/STOP2/STANDBY0/STANDBY1).

**SYSOSC\_ERR\_02**

(continued)

**SYSOSC Module**

---

3. Async request is received from some peripherals which use MFCLK as functional clock. On receiving async request, SYSOSC gets enabled and ulpclk becomes 32MHz. But MFCLK is gated off and it does not toggle at all as the device is still set to the LPM.

**Workaround**

If SYSOSC is using the FCL mode - Do not enable the MFCLK for a peripheral when you're entering a LPM mode which would typically turn off the SYSOSC.

**TIMER\_ERR\_04****TIMG Module**

---

**Category**

Functional

**Function**

TIMER re-enable may be missed if done close to zero event

**Description**

When using a GP TIMER in one shot mode and CLKDIV.RATIO is not 0, TIMER re-enable may be missed if done close to zero event.

**Workaround**

TIMER can be disabled first before re-enabling.

**TIMER\_ERR\_06****TIMA and TIMG Module**

---

**Category**

Functional

**Function**

Writing 0 to CLKEN bit does not disable counter

**Description**

Writing 0 to the Counter Clock Control Register(CCLKCTL) Clock Enable bit(CLKEN) does not stop the timer.

**Workaround**

Stop the timer by writing 0 to the Counter Control(CTRCTL) Enable(EN) bit.

**UART\_ERR\_01****UART Module**

---

**Category**

Functional

**Function**

UART start condition not detected when transitioning to STANDBY1 Mode

**Description**

After servicing an asynchronous fast clock request that was initiated by a UART transmission while the device was in STANDBY1 mode, the device will return to STANDBY1 mode. If another UART transmission begins during the transition back to STANDBY1 mode, the data is not correctly detected and received by the device.

## UART\_ERR\_01

(continued)

### *UART Module*

---

#### Workaround

Use STANDBY0 mode or higher low power mode when expecting repeated UART start conditions.

## UART\_ERR\_02

### *UART Module*

---

#### Category

Functional

#### Function

UART End of Transmission interrupt not set when only TXE is enabled

#### Description

UART End Of Transmission (EOT) interrupt does not trigger when the device is set for transmit only (CTL0.TXE = 1, CTL0.RXE = 0). EOT successfully triggers when device is set for transmit and receive (CTL0.TXE = 1, CTL0.RXE = 1)

#### Workaround

Set both CTL0.TXE and CTL0.RXE bits when utilizing the UART end of transmission interrupt. Note that you do not need to assign a pin as UART receive.

## UART\_ERR\_04

### *UART Module*

---

#### Category

Functional

#### Function

Incorrect UART data received with the fast clock request is disabled when clock transitions from SYSOSC to LFOSC

#### Description

Scenario:

1. LFCLK selected as functional clock for UART
2. Baud rate of 9600 configured with 3x oversampling
3. UART fast clock request has been disabled

If the ULPCCLK changes from SYSOSC to LFOSC in the middle of a UART RX transfer, it is observed that one bit is read incorrectly

#### Workaround

Enable UART fast clock request while using UART in LPM modes.

## UART\_ERR\_05

### *UART Module*

---

#### Category

Functional

#### Function

Limitation of debug halt feature in UART module

#### Description

All Tx FIFO elements are sent out before the communication comes to a halt against the expectation of completing the existing frame and halt.

#### Workaround

Please make sure data is not written into the TX FIFO after debug halt is asserted.

<b>UART_ERR_06</b>	<b>UART Module</b>
<b>Category</b>	Functional
<b>Function</b>	Unexpected behavior RTOUT/Busy/Async in UART 9-bit mode
<b>Description</b>	<p>UART receive timeout (RTOUT) is not working correctly in multi node scenario, where one UART will act as controller and other UART nodes as peripherals , each peripheral is configured with different address in 9-bit UART mode.</p> <p>First UART controller communicated with UART peripheral1, by sending peripheral1's address as a first byte and then data, peripheral1 has seen the address match and received the data. Once controller is done with peripheral1, peripheral1 is not setting the RTOUT after the configured timeout period, if controller immediately starts the communication with another UART peripheral (peripheral2) which is configured with different address on the bus. The peripheral1 RTOUT counter is resetting while communication ongoing with peripheral2 and peripheral1 setting it's RTOUT only after UART controller is completed the communication with peripheral2 .</p> <p>Similar behavior observed with BUSY and Async request. Busy and Async request is setting even if address does not match while controller communicating with other peripheral on the bus.</p>
<b>Workaround</b>	Do not use RTOUT/ BUSY /Async clock request behavior in multi node UART communication where single controller is tied to multiple peripherals.
<b>UART_ERR_07</b>	<b>UART Module</b>
<b>Category</b>	Functional
<b>Function</b>	RTOUT counter not counting as per expectation in IDLE LINE MODE
<b>Description</b>	<p>In IDLE LINE MODE in UART, RTOUT counter gets stuck, even when the line is IDLE and FIFO has some elements. This means that RTOUT interrupts will not work in IDLE LINE MODE.</p> <p>In case of an address mismatch, RTOUT counter is reloaded when it sees toggles on the Rx line.</p> <p>In case of a multi-responder scenario this could lead to an indefinite delay in getting an RTOUT event when communication is happening between the commander and some other responder.</p>
<b>Workaround</b>	Do not enable RTOUT feature when UART module is used either in IDLELINE mode/ multi-node UART application.
<b>UART_ERR_08</b>	<b>UART Module</b>
<b>Category</b>	Functional
<b>Function</b>	STAT BUSY does not represent the correct status of UART module

## UART\_ERR\_08

(continued)

### *UART Module*

---

#### **Description**

STAT BUSY is staying high even if UART module is disabled and there is data available in TXFIFO.

#### **Workaround**

Poll TXFIFO status and the CTL0.ENABLE register bit to identify BUSY status.

## 7 Trademarks

All trademarks are the property of their respective owners.

## 8 Revision History

NOTE: Page numbers for previous revisions may differ from page numbers in the current version.

### **Changes from Revision B (September 2025) to Revision C (October 2025)**

**Page**

- 
- Removed ADC\_ERR\_05 and COMP\_ERR\_05..... 1
-

## IMPORTANT NOTICE AND DISCLAIMER

TI PROVIDES TECHNICAL AND RELIABILITY DATA (INCLUDING DATASHEETS), DESIGN RESOURCES (INCLUDING REFERENCE DESIGNS), APPLICATION OR OTHER DESIGN ADVICE, WEB TOOLS, SAFETY INFORMATION, AND OTHER RESOURCES "AS IS" AND WITH ALL FAULTS, AND DISCLAIMS ALL WARRANTIES, EXPRESS AND IMPLIED, INCLUDING WITHOUT LIMITATION ANY IMPLIED WARRANTIES OF MERCHANTABILITY, FITNESS FOR A PARTICULAR PURPOSE OR NON-INFRINGEMENT OF THIRD PARTY INTELLECTUAL PROPERTY RIGHTS.

These resources are intended for skilled developers designing with TI products. You are solely responsible for (1) selecting the appropriate TI products for your application, (2) designing, validating and testing your application, and (3) ensuring your application meets applicable standards, and any other safety, security, regulatory or other requirements.

These resources are subject to change without notice. TI grants you permission to use these resources only for development of an application that uses the TI products described in the resource. Other reproduction and display of these resources is prohibited. No license is granted to any other TI intellectual property right or to any third party intellectual property right. TI disclaims responsibility for, and you fully indemnify TI and its representatives against any claims, damages, costs, losses, and liabilities arising out of your use of these resources.

TI's products are provided subject to [TI's Terms of Sale](#), [TI's General Quality Guidelines](#), or other applicable terms available either on [ti.com](#) or provided in conjunction with such TI products. TI's provision of these resources does not expand or otherwise alter TI's applicable warranties or warranty disclaimers for TI products. Unless TI explicitly designates a product as custom or customer-specified, TI products are standard, catalog, general purpose devices.

TI objects to and rejects any additional or different terms you may propose.

Copyright © 2025, Texas Instruments Incorporated

Last updated 10/2025