

LMP8640-Q1 and LMP8640HV-Q1

Functional Safety FIT Rate, FMD and Pin FMA



1 Overview

This document contains information for LMP8640-Q1 and LMP8640HV-Q1 (DDC (SOT23, 6) package) to aid in a functional safety system design. This document applies to the following devices:

- LMP8640-Q1
- LMP8640HV-Q1

Information provided are:

- Functional safety failure in time (FIT) rates of the semiconductor component estimated by the application of industry reliability standards
- Component failure modes and distribution (FMD) based on the primary function of the device
- Pin failure mode analysis (pin FMA)

Figure 1-1 shows the device functional block diagram for reference.

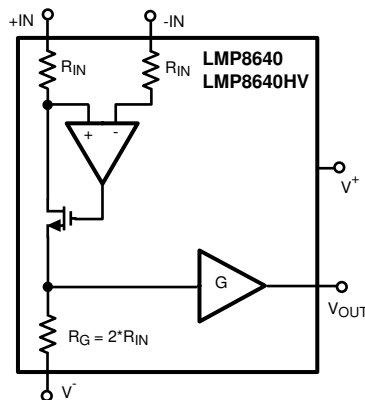


Figure 1-1. Functional Block Diagram

LMP8640-Q1 and LMP8640HV-Q1 were developed using a quality-managed development process, but were not developed in accordance with the IEC 61508 or ISO 26262 standards.

2 Functional Safety Failure In Time (FIT) Rates

This section provides functional safety failure in time (FIT) rates for LMP8640-Q1 and LMP8640HV-Q1 based on two different industry-wide used reliability standards:

- [Table 2-1](#) provides FIT rates based on IEC TR 62380 / ISO 26262 part 11
- [Table 2-2](#) provides FIT rates based on the Siemens Norm SN 29500-2

Table 2-1. Component Failure Rates per IEC TR 62380 / ISO 26262 Part 11

FIT IEC TR 62380 / ISO 26262	FIT (Failures Per 10 ⁹ Hours)
Total component FIT rate	5
Die FIT rate	3
Package FIT rate	2

The failure rate and mission profile information in [Table 2-1](#) comes from the reliability data handbook IEC TR 62380 / ISO 26262 part 11:

- Mission profile: Motor control from table 11 or figure 16
- Power dissipation: 36mW
- Climate type: World-wide table 8 or figure 13
- Package factor (lambda 3): Table 17b or figure 15
- Substrate material: FR4
- EOS FIT rate assumed: 0 FIT

Table 2-2. Component Failure Rates per Siemens Norm SN 29500-2

Table	Category	Reference FIT Rate	Reference Virtual T _J
4	CMOS Op amp, comparators, voltage monitors	8 FIT	45°C

The reference FIT rate and reference virtual T_J (junction temperature) in [Table 2-2](#) come from the Siemens Norm SN 29500-2 tables 1 through 5. Failure rates under operating conditions are calculated from the reference failure rate and virtual junction temperature using conversion information in SN 29500-2 section 4.

3 Failure Mode Distribution (FMD)

The failure mode distribution estimation for LMP8640-Q1 and LMP8640HV-Q1 in [Table 3-1](#) comes from the combination of common failure modes listed in standards such as IEC 61508 and ISO 26262, the ratio of sub-circuit function size and complexity, and from best engineering judgment.

The failure modes listed in this section reflect random failure events and do not include failures resulting from misuse or overstress.

Table 3-1. Die Failure Modes and Distribution

Die Failure Modes	Failure Mode Distribution (%)
VOUT open (Hi-Z)	10
VOUT stuck (High or Low)	45
VOUT functional, not in specification	45

4 Pin Failure Mode Analysis (Pin FMA)

This section provides a failure mode analysis (FMA) for the pins of the LMP8640-Q1 and LMP8640HV-Q1. The failure modes covered in this document include the typical pin-by-pin failure scenarios:

- Pin short-circuited to ground (see [Table 4-2](#))
- Pin open-circuited (see [Table 4-3](#))
- Pin short-circuited to an adjacent pin (see [Table 4-4](#))
- Pin short-circuited to V_s (see [Table 4-5](#))

[Table 4-2](#) through [Table 4-5](#) also indicate how these pin conditions can affect the device as per the failure effects classification in [Table 4-1](#).

Table 4-1. TI Classification of Failure Effects

Class	Failure Effects
A	Potential device damage that affects functionality.
B	No device damage, but loss of functionality.
C	No device damage, but performance degradation.
D	No device damage, no impact to functionality or performance.

[Figure 4-1](#) shows the LMP8640-Q1 and LMP8640HV-Q1 pin diagram. For a detailed description of the device pins please refer to the *Pin Configuration and Functions* section in the LMP8640-Q1 and LMP8640HV-Q1 data sheets.

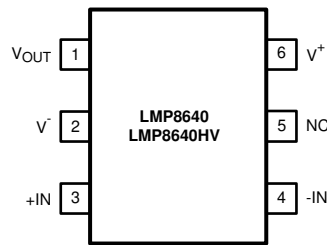


Figure 4-1. Pin Diagram

Following are the assumptions of use and the device configuration assumed for the pin FMA in this section:

- $T_A = -40^\circ\text{C}$ to $+125^\circ\text{C}$
- $V^+ = 12\text{V}$; $V^- = 0\text{V}$
- $V_{+IN} = V_{-IN} = 42\text{V}$

Table 4-2. Pin FMA for Device Pins Short-Circuited to Ground

Pin Name	Pin No.	Description of Potential Failure Effects	Failure Effect Class
V _{OUT}	1	Output is pulled down to GND and output current is short-circuit limited. When left in this configuration for a long time, under high supplies, self-heating can cause the die junction temperature to exceed 150°C.	B
V ⁻	2	The device operates as normal.	D
+IN	3	In a high-side configuration, a short from the bus supply to GND occurs.	B
-IN	4	In a high-side configuration, a short from the bus supply to GND occurs (through RSHUNT). High current flows from the bus supply to GND. The shunt can be damaged. In a low-side configuration, The device operates as normal.	B for high-side
			D for low-side
NC	5	The device operates as normal.	D
V ⁺	6	Power supply shorted to GND.	B

Table 4-3. Pin FMA for Device Pins Open-Circuited

Pin Name	Pin No.	Description of Potential Failure Effects	Failure Effect Class
V _{OUT}	1	Output can be left open. There is no effect on the device, but the output is not measured.	C
V ⁻	2	No power to the device. The device can be biased through inputs. Output is no longer referenced to GND.	B
+IN	3	The shunt resistor is not connected to the amplifier. The IN+ pin can float to an unknown value. Output goes to an unknown value, not to exceed V _s or GND.	B
-IN	4	The shunt resistor is not connected to the amplifier. The IN- pin can float to an unknown value. Output goes to an unknown value, not to exceed V _s or GND.	B
NC	5	The device operates as normal.	D
V ⁺	6	No power to device. Device can be biased through inputs. Output is incorrect and close to GND.	B

Table 4-4. Pin FMA for Device Pins Short-Circuited to Adjacent Pin

Pin Name	Pin No.	Shorted to	Description of Potential Failure Effects	Failure Effect Class
V _{OUT}	1	2 – V ⁻	Output is pulled down to GND and output current is short-circuit limited. When left in this configuration for a long time, under high supplies, self-heating can cause the die junction temperature to exceed 150°C.	B
V ⁻	2	3 – +IN	Power supply is shorted to GND.	B
+IN	3	4 – -IN	Inputs are shorted together, so no sense voltage is applied. Output stays close to REF potential.	B
-IN	4	5 – NC	The device operates as normal.	D
NC	5	6 – V ⁺	The device operates as normal.	D
V ⁺	6	1 – V _{OUT}	Output is pulled to V _s and the output current is short-circuit limited. When left in this configuration for a long time, under high supplies, self-heating can cause the die junction temperature to exceed 150°C.	B

Table 4-5. Pin FMA for Device Pins Short-Circuited to V_s

Pin Name	Pin No.	Description of Potential Failure Effects	Failure Effect Class
V _{OUT}	1	Output is pulled to V _s and the output current is short-circuit limited. When left in this configuration for a long time, under high supplies, self-heating can cause the die junction temperature to exceed 150°C.	B
V ⁻	2	Power supply is shorted to GND.	B
+IN	3	In a high-side configuration, the device power supply is shorted to the bus supply (through RSHUNT). In a low-side configuration, the device power supply is shorted to GND.	B
-IN	4	In a high-side configuration, the device power supply is shorted to the bus supply. In a low-side configuration, the device power supply is shorted to GND (through RSHUNT).	B
NC	5	The device operates as normal.	D
V ⁺	6	The device operates as normal.	D

5 Revision History

NOTE: Page numbers for previous revisions may differ from page numbers in the current version.

DATE	REVISION	NOTES
November 2025	*	Initial Release

IMPORTANT NOTICE AND DISCLAIMER

TI PROVIDES TECHNICAL AND RELIABILITY DATA (INCLUDING DATASHEETS), DESIGN RESOURCES (INCLUDING REFERENCE DESIGNS), APPLICATION OR OTHER DESIGN ADVICE, WEB TOOLS, SAFETY INFORMATION, AND OTHER RESOURCES "AS IS" AND WITH ALL FAULTS, AND DISCLAIMS ALL WARRANTIES, EXPRESS AND IMPLIED, INCLUDING WITHOUT LIMITATION ANY IMPLIED WARRANTIES OF MERCHANTABILITY, FITNESS FOR A PARTICULAR PURPOSE OR NON-INFRINGEMENT OF THIRD PARTY INTELLECTUAL PROPERTY RIGHTS.

These resources are intended for skilled developers designing with TI products. You are solely responsible for (1) selecting the appropriate TI products for your application, (2) designing, validating and testing your application, and (3) ensuring your application meets applicable standards, and any other safety, security, regulatory or other requirements.

These resources are subject to change without notice. TI grants you permission to use these resources only for development of an application that uses the TI products described in the resource. Other reproduction and display of these resources is prohibited. No license is granted to any other TI intellectual property right or to any third party intellectual property right. TI disclaims responsibility for, and you fully indemnify TI and its representatives against any claims, damages, costs, losses, and liabilities arising out of your use of these resources.

TI's products are provided subject to [TI's Terms of Sale](#), [TI's General Quality Guidelines](#), or other applicable terms available either on [ti.com](#) or provided in conjunction with such TI products. TI's provision of these resources does not expand or otherwise alter TI's applicable warranties or warranty disclaimers for TI products. Unless TI explicitly designates a product as custom or customer-specified, TI products are standard, catalog, general purpose devices.

TI objects to and rejects any additional or different terms you may propose.

Copyright © 2025, Texas Instruments Incorporated

Last updated 10/2025