

## MSP430FG43x Mixed-Signal Microcontrollers

### 1 Features

- Low supply-voltage range, 1.8 V to 3.6 V
- Ultra-low power consumption
  - Active mode: 300  $\mu$ A at 1 MHz, 2.2 V
  - Standby mode: 1.1  $\mu$ A
  - Off mode (RAM retention): 0.1  $\mu$ A
- Five power-saving modes
- Wakeup from standby mode in less than 6  $\mu$ s
- 16-bit RISC architecture, 125-ns instruction cycle time
- Single-channel internal DMA
- 12-bit analog-to-digital converter (ADC) with internal reference, sample-and-hold and autoscan feature
- Three configurable operational amplifiers
- Dual 12-bit digital-to-analog converters (DACs) with synchronization
- 16-bit Timer\_A with three capture/compare registers
- 16-bit Timer\_B with three capture/compare-with-shadow registers
- On-chip comparator
- Serial communication interface (USART), select asynchronous UART or synchronous SPI by software
- Brownout detector
- Supply-voltage supervisor and monitor with programmable level detection
- Bootloader (BSL)
- Serial onboard programming, no external programming voltage needed, programmable code protection by security fuse
- Integrated segment liquid crystal display (LCD) driver for up to 128 segments
- Available in 113-ball BGA (ZCA) and 80-pin QFP (PN) packages
- [Device Comparison](#) summarizes the available family members

### 2 Applications

- Analog and Digital Sensor Systems
- Digital Motor Control
- Remote Controls
- Thermostats
- Digital Timers
- Hand-Held Meters

### 3 Description

The Texas Instruments MSP430™ family of ultra-low-power microcontrollers consists of several devices featuring different sets of peripherals targeted for various applications. The architecture, combined with five low-power modes, is optimized to achieve extended battery life in portable measurement applications. The device features a powerful 16-bit RISC CPU, 16-bit registers, and constant generators that contribute to maximum code efficiency. The digitally controlled oscillator (DCO) allows the device to wake up from low-power modes to active mode in less than 6  $\mu$ s.

The MSP430FG43x devices are microcontrollers with two 16-bit timers, a high-performance 12-bit ADC, dual 12-bit DACs, three configurable operational amplifiers, one universal synchronous/asynchronous communication interface, DMA, 48 I/O pins, and an LCD driver.

For complete module descriptions, see the [MSP430x4xx Family User's Guide](#).

#### Device Information

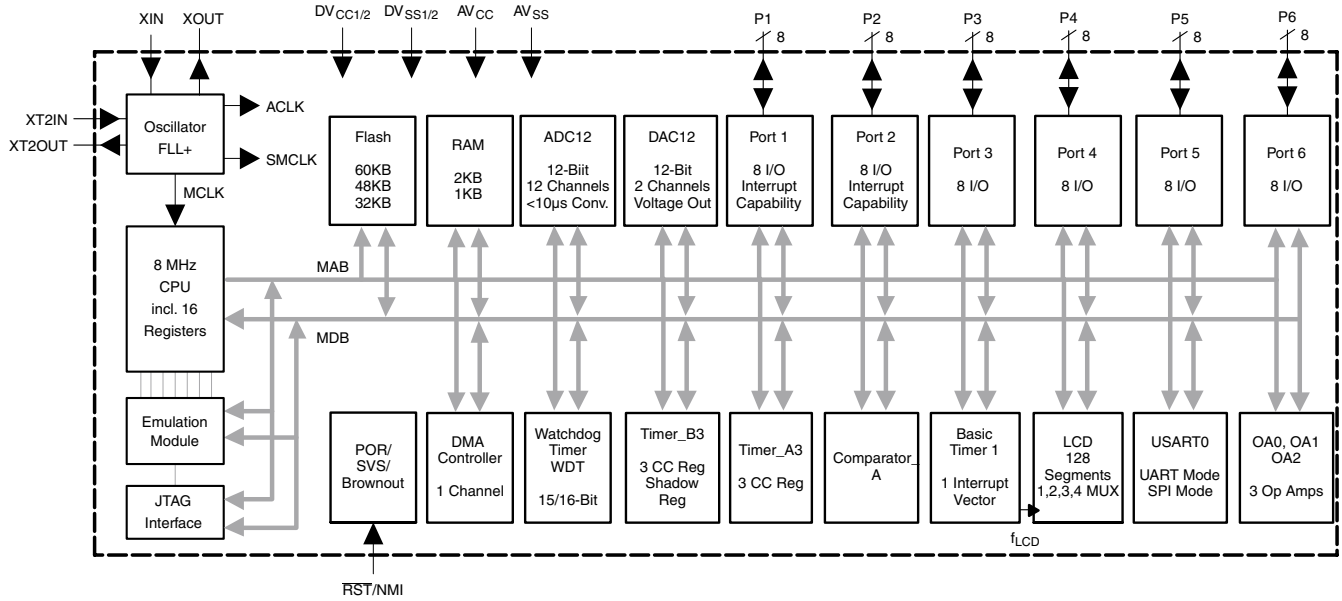
| PART NUMBER <sup>(1)</sup> | PACKAGE   | BODY SIZE <sup>(2)</sup> |
|----------------------------|-----------|--------------------------|
| MSP430FG439PN              | LQFP (80) | 12 mm x 12 mm            |
| MSP430FG439ZCA             | BGA (113) | 7 mm x 7 mm              |

- (1) For the most current device, package, and ordering information, see the Package Option Addendum in [Section 11](#), or see the TI web site at [www.ti.com](http://www.ti.com).
- (2) The sizes shown here are approximations. For the package dimensions with tolerances, see the Mechanical Data in [Section 11](#).



## 4 Functional Block Diagram

Figure 4-1 shows the functional block diagram.



**Functional Block Diagram**

## Table of Contents

|  |    |  |    |
|--|----|--|----|
| <b>1 Features</b> .....  | 1  | 8.26 12-Bit ADC, Linearity Parameters.....                                 | 30 |
| <b>2 Applications</b> .....  | 1  | 8.27 12-Bit ADC, Temperature Sensor and Built-In<br>V <sub>MID</sub> ..... | 31 |
| <b>3 Description</b> .....   | 1  | 8.28 12-Bit DAC, Supply Specifications.....                                | 31 |
| <b>4 Functional Block Diagram</b> .....  | 2  | 8.29 12-Bit DAC, Linearity Specifications.....                             | 32 |
| <b>5 Revision History</b> .....  | 4  | 8.30 12-Bit DAC, Output Specifications.....                                | 34 |
| <b>6 Device Comparison</b> .....   | 5  | 8.31 12-Bit DAC, Reference Input Specifications.....                       | 35 |
| <b>7 Terminal Configuration and Functions</b> .....  | 6  | 8.32 12-Bit DAC, Dynamic Specifications.....                               | 35 |
| 7.1 Pin Diagrams.....  | 6  | 8.33 12-Bit DAC, Dynamic Specifications (Continued)...                     | 36 |
| 7.2 Signal Descriptions.....   | 8  | 8.34 Operational Amplifier (OA), Supply Specifications..                   | 37 |
| <b>8 Specifications</b> .....  | 12 | 8.35 Operational Amplifier (OA), Input/Output<br>Specifications.....       | 37 |
| 8.1 Absolute Maximum Ratings.....  | 12 | 8.36 Operational Amplifier (OA), Dynamic<br>Specifications.....            | 38 |
| 8.2 Handling Ratings.....  | 12 | 8.37 OA Dynamic Specifications Typical<br>Characteristics.....             | 38 |
| 8.3 Recommended Operating Conditions.....  | 12 | 8.38 Flash Memory.....   | 39 |
| 8.4 Supply Current Into AV <sub>CC</sub> + DV <sub>CC</sub> Excluding<br>External Current.....                         | 14 | 8.39 JTAG Interface.....   | 39 |
| 8.5 Schmitt-Trigger Inputs – Ports P1 to P6, $\overline{\text{RST}}$ /<br>NMI, JTAG (TCK, TMS, TDI/TCLK, TDO/TDI)..... | 15 | 8.40 JTAG Fuse.....  | 39 |
| 8.6 Inputs Px.y, TAx, TBx.....   | 15 | <b>9 Detailed Description</b> .....  | 40 |
| 8.7 Leakage Current – Ports P1 to P6.....  | 15 | 9.1 CPU.....   | 40 |
| 8.8 Outputs – Ports P1 to P6.....  | 16 | 9.2 Instruction Set.....   | 41 |
| 8.9 Output Frequency.....  | 16 | 9.3 Operating Modes.....   | 42 |
| 8.10 Typical Characteristics – Outputs.....  | 17 | 9.4 Interrupt Vector Addresses.....  | 43 |
| 8.11 Wake-Up From LPM3.....  | 18 | 9.5 Special Function Registers (SFRs).....                                 | 44 |
| 8.12 RAM.....  | 18 | 9.6 Memory Organization.....   | 46 |
| 8.13 LCD.....  | 18 | 9.7 Bootstrap Loader (BSL).....  | 47 |
| 8.14 Comparator_A.....   | 19 | 9.8 Flash Memory.....  | 47 |
| 8.15 Comparator_A Typical Characteristics.....   | 19 | 9.9 Peripherals.....   | 48 |
| 8.16 Power-On Reset (POR) and Brownout Reset<br>(BOR).....   | 21 | 9.10 Input/Output Schematics.....  | 55 |
| 8.17 Supply Voltage Supervisor (SVS) and Supply<br>Voltage Monitor (SVM).....  | 22 | <b>10 Device and Documentation Support</b> .....                           | 78 |
| 8.18 DCO.....  | 24 | 10.1 Device Support.....   | 78 |
| 8.19 Crystal Oscillator, XT1 Oscillator .....  | 26 | 10.2 Documentation Support.....  | 80 |
| 8.20 Crystal Oscillator, XT2 Oscillator.....   | 26 | 10.3 Support Resources.....  | 80 |
| 8.21 USART0.....   | 26 | 10.4 Trademarks.....   | 80 |
| 8.22 12-Bit ADC, Power Supply and Input Range<br>Conditions.....   | 27 | 10.5 Electrostatic Discharge Caution.....                                  | 80 |
| 8.23 12-Bit ADC, External Reference.....   | 27 | 10.6 Glossary.....   | 80 |
| 8.24 12-Bit ADC, Built-In Reference.....   | 28 | <b>11 Mechanical Packaging and Orderable Information</b> ..                | 81 |
| 8.25 12-Bit ADC, Timing Parameters.....  | 30 | 11.1 Packaging Information.....  | 81 |

## 5 Revision History

NOTE: Page numbers for previous revisions may differ from page numbers in the current version.

Changes from revision E to revision F

| <b>Changes from June 18, 2021 to March 31, 2022</b>  | <b>Page</b> |
|--|-------------|
| • Changed the $t_{\text{CONVERT}}$ MIN value to 1.86 $\mu\text{s}$ and removed ADC12DIV from the formula for the TYP value (because ADC12CLK is after this division) in <a href="#">Section 8.25 12-Bit ADC, Timing Parameters</a> ..... | 30          |
| • Changed the $R_{i(\text{VREF+})}$ , $R_{i(\text{VeREF+})}$ reference input resistance MAX value to 150k $\Omega$ for DAC12_0 IR=1, DAC12_1 IR=0 in <a href="#">Section 8.31 12-Bit DAC, Reference Input Specifications</a> .....       | 35          |
| • Changed the $R_{i(\text{VREF+})}$ , $R_{i(\text{VeREF+})}$ reference input resistance MAX value to 150k $\Omega$ for DAC12_0 IR=0, DAC12_1 IR=1 in <a href="#">Section 8.31 12-Bit DAC, Reference Input Specifications</a> .....       | 35          |
| • Changed the $R_{i(\text{VREF+})}$ , $R_{i(\text{VeREF+})}$ reference input resistance MAX value to 75k $\Omega$ for DAC12_0 IR=DAC12_1 IR=1 in <a href="#">Section 8.31 12-Bit DAC, Reference Input Specifications</a> .....           | 35          |
| • Updated <a href="#">Section 10.3, Support Resources</a> .....  | 80          |

## 6 Device Comparison

The following table summarizes the available family members.

**Table 6-1. Device Comparison**

| Device <sup>(1)</sup> | FLASH (KB) <sup>(2)</sup> | SRAM (KB) | ADC12       | DAC12      | Comp_A      | Timer_A <sup>(3)</sup> | Timer_B <sup>(4)</sup> | USART | LCD | I/Os | Package Type     |
|-----------------------|---------------------------|-----------|-------------|------------|-------------|------------------------|------------------------|-------|-----|------|------------------|
| MSP430FG439           | 60                        | 2         | 12 channels | 2 channels | 16 channels | 3                      | 3                      | Yes   | Yes | 48   | 80 PN<br>113 ZCA |
| MSP430FG438           | 48                        | 2         | 12 channels | 2 channels | 16 channels | 3                      | 3                      | Yes   | Yes | 48   | 80 PN<br>113 ZCA |
| MSP430FG437           | 32                        | 1         | 12 channels | 2 channels | 16 channels | 3                      | 3                      | Yes   | Yes | 48   | 80 PN<br>113 ZCA |

- (1) For the most current package and ordering information, see the Package Option Addendum in [Section 11](#), or see the TI web site at [www.ti.com](http://www.ti.com).
- (2) Package drawings, standard packing quantities, thermal data, symbolization, and PCB design guidelines are available at [www.ti.com/packaging](http://www.ti.com/packaging).
- (3) Each number in the sequence represents an instantiation of Timer\_A with its associated number of capture/compare registers and PWM output generators available. For example, a number sequence of 3, 5 would represent two instantiations of Timer\_A, the first instantiation having 3 capture/compare registers and PWM output generators and the second instantiation having 5 capture/compare registers and PWM output generators, respectively.
- (4) Each number in the sequence represents an instantiation of Timer\_B with its associated number of capture/compare registers and PWM output generators available. For example, a number sequence of 3, 5 would represent two instantiations of Timer\_B, the first instantiation having 3 capture/compare registers and PWM output generators and the second instantiation having 5 capture/compare registers and PWM output generators, respectively.

## 7 Terminal Configuration and Functions

### 7.1 Pin Diagrams

Figure 7-1 shows the pin assignments for the 80-pin PN package.

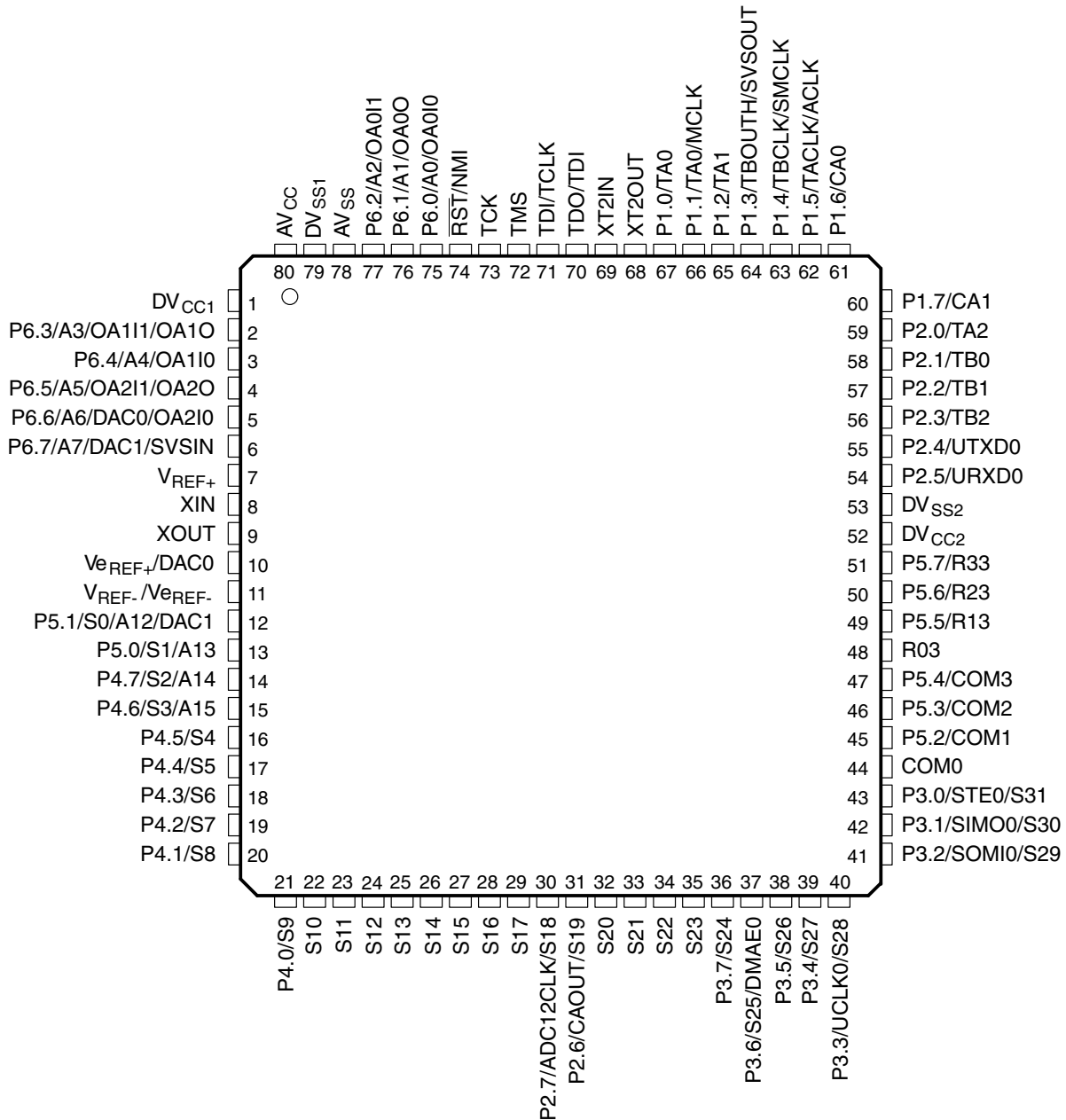


Figure 7-1. 80-Pin PN Package (Top View)

Figure 7-2 shows the pin assignments for the 113-pin ZCA package.

**ZCA PACKAGE  
(TOP VIEW)**

|                |              |              |              |              |                  |                  |                  |                  |                   |                   |                   |
|----------------|--------------|--------------|--------------|--------------|------------------|------------------|------------------|------------------|-------------------|-------------------|-------------------|
| DVSS<br>(A1)   | AVSS<br>(A2) | AVCC<br>(A3) | P6.1<br>(A4) | P6.0<br>(A5) | RST<br>(A6)      | XT2IN<br>(A7)    | XT2OUT<br>(A8)   | DVSS<br>(A9)     | P1.3<br>(A10)     | P1.6<br>(A11)     | (A12)             |
| DVCC<br>(B1)   | DVSS<br>(B2) | AVCC<br>(B3) | P6.2<br>(B4) | P6.3<br>(B5) | DVSS<br>(B6)     | DVSS<br>(B7)     | DVSS<br>(B8)     | P1.2<br>(B9)     | P1.5<br>(B10)     | (B11)             | P1.7<br>(B12)     |
| VREF+<br>(C1)  | DVCC<br>(C2) | DVSS<br>(C3) |              |              |                  |                  |                  |                  |                   | P2.0<br>(C11)     | P2.4/TX<br>(C12)  |
| AVSS<br>(D1)   | P6.7<br>(D2) |              | P6.5<br>(D4) | P6.4<br>(D5) | TMS<br>(D6)      | TDO<br>(D7)      | P1.0<br>(D8)     | P1.1<br>(D9)     |                   | P2.1<br>(D11)     | P2.5/RX<br>(D12)  |
| XIN<br>(E1)    | AVSS<br>(E2) |              | P6.6<br>(E4) | (E5)         | TCK<br>(E6)      | TDI<br>(E7)      | (E8)             | P1.4<br>(E9)     |                   | P2.2<br>(E11)     | DVSS2<br>(E12)    |
| XOUT<br>(F1)   | AVSS<br>(F2) |              | P5.1<br>(F4) | (F5)         |                  |                  | (F8)             | (F9)             |                   | P2.3<br>(F11)     | DVCC2<br>(F12)    |
| AVSS<br>(G1)   | AVSS<br>(G2) |              | P5.0<br>(G4) | (G5)         |                  |                  | (G8)             | (G9)             |                   | COM3<br>(G11)     | R33<br>(G12)      |
| VeREF+<br>(H1) | AVSS<br>(H2) |              | P4.7<br>(H4) | (H5)         | (H6)             | (H7)             | (H8)             | (H9)             |                   | COM2<br>(H11)     | R23<br>(H12)      |
| VREF-<br>(J1)  | AVSS<br>(J2) |              | P4.6<br>(J4) | S13<br>(J5)  | S16<br>(J6)      | S21<br>(J7)      | S22<br>(J8)      | S23<br>(J9)      |                   | COM1<br>(J11)     | R13<br>(J12)      |
| P4.5<br>(K1)   | P4.4<br>(K2) |              |              |              |                  |                  |                  |                  |                   | COM0<br>(K11)     | R03<br>(K12)      |
| P4.1<br>(L1)   | P4.2<br>(L2) | P4.3<br>(L3) | S11<br>(L4)  | S14<br>(L5)  | S17<br>(L6)      | S20<br>(L7)      | P3.6/S25<br>(L8) | P3.5/S26<br>(L9) | P3.4/S27<br>(L10) | (L11)             | P3.0/S31<br>(L12) |
| (M1)           | P4.0<br>(M2) | S10<br>(M3)  | S12<br>(M4)  | S15<br>(M5)  | P2.7/S18<br>(M6) | P2.6/S19<br>(M7) | P3.7/S24<br>(M8) | P3.3/S28<br>(M9) | P3.2/S29<br>(M10) | P3.1/S30<br>(M11) | (M12)             |

**Figure 7-2. 113-Pin ZCA Package (Top View)**

## 7.2 Signal Descriptions

Section 7.2.1 describes the signals for all device variants and package options.

### 7.2.1 Signal Descriptions

| TERMINAL           |     |        | I/O | DESCRIPTION   |
|--------------------|-----|--------|-----|---|
| NAME               | NO. |        |     |   |
|                    | PN  | ZCA    |     |   |
| DVCC1              | 1   | B1, C2 |     | Digital supply voltage, positive terminal.  |
| P6.3/A3/OA111/OA10 | 2   | B5     | I/O | General-purpose digital I/O<br>Analog input a3—12-bit ADC<br>OA1 output and/or input multiplexer on +terminal and –terminal   |
| P6.4/A4/OA110      | 3   | D5     | I/O | General-purpose digital I/O<br>Analog input a4—12-bit ADC<br>OA1 input multiplexer on +terminal and –terminal   |
| P6.5/A5/OA211/OA20 | 4   | D4     | I/O | General-purpose digital I/O<br>Analog input a5—12-bit ADC<br>OA2 output and/or input multiplexer on +terminal and –terminal   |
| P6.6/A6/DAC0/OA210 | 5   | E4     | I/O | General-purpose digital I/O<br>Analog input a6—12-bit ADC<br>DAC12.0 output<br>OA2 input multiplexer on +terminal and –terminal                                       |
| P6.7/A7/DAC1/SVSIN | 6   | D2     | I/O | General-purpose digital I/O<br>Analog input a7—12-bit ADC<br>DAC12.1 output/analog input to supply voltage supervisor   |
| VREF+              | 7   | C1     | O   | Positive output terminal of the reference voltage in the ADC  |
| XIN                | 8   | E1     | I   | Input terminal of crystal oscillator XT1  |
| XOUT               | 9   | F1     | O   | Output terminal of crystal oscillator XT1   |
| VeREF+/DAC0        | 10  | H1     | I/O | Positive input terminal for an external reference voltage to the 12-bit ADC/DAC12.0 output  |
| VREF–/VeREF–       | 11  | J1     | I   | Negative terminal for the 12-bit ADC's reference voltage for both sources, the internal reference voltage or an external applied reference voltage to the 12-bit ADC. |
| P5.1/S0/A12/DAC1   | 12  | F4     | I/O | General-purpose digital I/O<br>LCD segment output 0<br>Analog input a12—12-bit ADC<br>DAC12.1 output  |
| P5.0/S1/A13        | 13  | G4     | I/O | General-purpose digital I/O<br>LCD segment output 1<br>Analog input a13—12-bit ADC  |
| P4.7/S2/A14        | 14  | H4     | I/O | General-purpose digital I/O<br>LCD segment output 2<br>Analog input a14—12-bit ADC  |
| P4.6/S3/A15        | 15  | J4     | I/O | General-purpose digital I/O<br>LCD segment output 3<br>Analog input a15—12-bit ADC  |
| P4.5/S4            | 16  | K1     | I/O | General-purpose digital I/O<br>LCD segment output 4   |
| P4.4/S5            | 17  | K2     | I/O | General-purpose digital I/O<br>LCD segment output 5   |
| P4.3/S6            | 18  | L3     | I/O | General-purpose digital I/O<br>LCD segment output 6   |
| P4.2/S7            | 19  | L2     | I/O | General-purpose digital I/O<br>LCD segment output 7   |
| P4.1/S8            | 20  | L1     | I/O | General-purpose digital I/O<br>LCD segment output 8   |

| TERMINAL          |     |     | I/O | DESCRIPTION  |
|-------------------|-----|-----|-----|--|
| NAME              | NO. |     |     |  |
|                   | PN  | ZCA |     |  |
| P4.0/S9           | 21  | M2  | I/O | General-purpose digital I/O<br>LCD segment output 9  |
| S10               | 22  | M3  | O   | LCD segment output 10  |
| S11               | 23  | L4  | O   | LCD segment output 11  |
| S12               | 24  | M4  | O   | LCD segment output 12  |
| S13               | 25  | J5  | O   | LCD segment output 13  |
| S14               | 26  | L5  | O   | LCD segment output 14  |
| S15               | 27  | M5  | O   | LCD segment output 15  |
| S16               | 28  | J6  | O   | LCD segment output 16  |
| S17               | 29  | L6  | O   | LCD segment output 17  |
| P2.7/ADC12CLK/S18 | 30  | M6  | I/O | General-purpose digital I/O<br>Conversion clock—12-bit ADC<br>LCD segment output 18  |
| P2.6/CAOUT/S19    | 31  | M7  | I/O | General-purpose digital I/O<br>Comparator_A output / LCD segment output 19   |
| S20               | 32  | L7  | O   | LCD segment output 20  |
| S21               | 33  | J7  | O   | LCD segment output 21  |
| S22               | 34  | J8  | O   | LCD segment output 22  |
| S23               | 35  | J9  | O   | LCD segment output 23  |
| P3.7/S24          | 36  | M8  | I/O | General-purpose digital I/O<br>LCD segment output 24   |
| P3.6/S25/DMAE0    | 37  | L8  | I/O | General-purpose digital I/O<br>LCD segment output 25/DMA Channel 0 external trigger  |
| P3.5/S26          | 38  | L9  | I/O | General-purpose digital I/O<br>LCD segment output 26   |
| P3.4/S27          | 39  | L10 | I/O | General-purpose digital I/O<br>LCD segment output 27   |
| P3.3/UCLK0/S28    | 40  | M9  | I/O | General-purpose digital I/O<br>External clock input—USART0/UART or SPI mode, clock output—USART0/SPI mode<br>LCD segment output 28 |
| P3.2/SOMI0/S29    | 41  | M10 | I/O | General-purpose digital I/O<br>Slave out/master in of USART0/SPI mode<br>LCD segment output 29                                     |
| P3.1/SIMO0/S30    | 42  | M11 | I/O | General-purpose digital I/O<br>Slave in/master out of USART0/SPI mode<br>LCD segment output 30                                     |
| P3.0/STE0/S31     | 43  | L12 | I/O | General-purpose digital I/O<br>Slave transmit enable-USART0/SPI mode<br>LCD segment output 31                                      |
| COM0              | 44  | K11 | O   | Common output, COM0–3 are used for LCD backplanes.   |
| P5.2/COM1         | 45  | J11 | I/O | General-purpose digital I/O<br>Common output, COM0–3 are used for LCD backplanes.  |
| P5.3/COM2         | 46  | H11 | I/O | General-purpose digital I/O<br>Common output, COM0–3 are used for LCD backplanes.  |
| P5.4/COM3         | 47  | G11 | I/O | General-purpose digital I/O<br>Common output, COM0–3 are used for LCD backplanes.  |
| R03               | 48  | K12 | I   | Input port of fourth positive (lowest) analog LCD level (V5)   |
| P5.5/R13          | 49  | J12 | I/O | General-purpose digital I/O<br>input port of third most positive analog LCD level (V4 or V3)                                       |

| TERMINAL           |     |     | I/O | DESCRIPTION   |
|--------------------|-----|-----|-----|---|
| NAME               | NO. |     |     |   |
|                    | PN  | ZCA |     |   |
| P5.6/R23           | 50  | H12 | I/O | General-purpose digital I/O<br>Input port of second most positive analog LCD level (V2)   |
| P5.7/R33           | 51  | G12 | I/O | General-purpose digital I/O<br>Output port of most positive analog LCD level (V1)   |
| DVCC2              | 52  | F12 |     | Digital supply voltage, positive terminal   |
| DVSS2              | 53  | E12 |     | Digital supply voltage, negative terminal   |
| P2.5/URXD0         | 54  | D12 | I/O | General-purpose digital I/O<br>Receive data in—USART0/UART mode   |
| P2.4/UTXD0         | 55  | C12 | I/O | General-purpose digital I/O<br>Transmit data out—USART0/UART mode   |
| P2.3/TB2           | 56  | F11 | I/O | General-purpose digital I/O<br>Timer_B3 CCR2. Capture: CCI2A/CCI2B input, compare: Out2 output  |
| P2.2/TB1           | 57  | E11 | I/O | General-purpose digital I/O<br>Timer_B3 CCR1. Capture: CCI1A/CCI1B input, compare: Out1 output  |
| P2.1/TB0           | 58  | D11 | I/O | General-purpose digital I/O<br>Timer_B3 CCR0. Capture: CCI0A/CCI0B input, compare: Out0 output  |
| P2.0/TA2           | 59  | C11 | I/O | General-purpose digital I/O<br>Timer_A Capture: CCI2A input, compare: Out2 output   |
| P1.7/CA1           | 60  | B12 | I/O | General-purpose digital I/O<br>Comparator_A input   |
| P1.6/CA0           | 61  | A11 | I/O | General-purpose digital I/O<br>Comparator_A input   |
| P1.5/TACLK/ACLK    | 62  | B10 | I/O | General-purpose digital I/O<br>Timer_A, clock signal TACLK input<br>ACLK output (divided by 1, 2, 4, or 8)                                |
| P1.4/TBCLK/SMCLK   | 63  | E9  | I/O | General-purpose digital I/O<br>Input clock TBCLK—Timer_B3<br>Submain system clock SMCLK output  |
| P1.3/TBOUTH/SVSOUT | 64  | A10 | I/O | General-purpose digital I/O<br>Switch all PWM digital output ports to high impedance—Timer_B3 TB0 to TB2<br>SVS: output of SVS comparator |
| P1.2/TA1           | 65  | B9  | I/O | General-purpose digital I/O<br>Timer_A, Capture: CCI1A, compare: Out1 output  |
| P1.1/TA0/MCLK      | 66  | D9  | I/O | General-purpose digital I/O<br>Timer_A. Capture: CCI0B / MCLK output. Note: TA0 is only an input on this pin<br>BSL receive               |
| P1.0/TA0           | 67  | D8  | I/O | General-purpose digital I/O<br>Timer_A. Capture: CCI0A input, compare: Out0 output<br>BSL transmit  |
| XT2OUT             | 68  | A8  | O   | Output terminal of crystal oscillator XT2   |
| XT2IN              | 69  | A7  | I   | Input port for crystal oscillator XT2. Only standard crystals can be connected.   |
| TDO/TDI            | 70  | D7  | I/O | Test data output port. TDO/TDI data output or programming data input terminal   |
| TDI/TCLK           | 71  | E7  | I   | Test data input or test clock input. The device protection fuse is connected to TDI/<br>TCLK.   |
| TMS                | 72  | D6  | I   | Test mode select. TMS is used as an input port for device programming and test.   |
| TCK                | 73  | E6  | I   | Test clock. TCK is the clock input port for device programming and test.  |
| RST/NMI            | 74  | A6  | I   | Reset or nonmaskable interrupt input  |
| P6.0/A0/OA0I0      | 75  | A5  | I/O | General-purpose digital I/O<br>Analog input a0 – 12-bit ADC<br>OA0 input multiplexer on +terminal and –terminal                           |

| TERMINAL      |     |   | I/O | DESCRIPTION  |
|---------------|-----|---|-----|--|
| NAME          | NO. |   |     |  |
|               | PN  | ZCA                                     |     |  |
| P6.1/A1/OA00  | 76  | A4                                      | I/O | General-purpose digital I/O<br>Analog input a1 – 12-bit ADC<br>OA0 output  |
| P6.2/A2/OA011 | 77  | B4                                      | I/O | General-purpose digital I/O<br>Analog input a2 – 12-bit ADC<br>OA0 input multiplexer on + terminal and – terminal  |
| AVSS          | 78  | A2, D1,<br>E2, F2,<br>G2, G1,<br>H2, J2 |     | Analog supply voltage, negative terminal. Supplies SVS, brownout, oscillator, comparator_A, port 1, and LCD resistive divider circuitry.   |
| DVSS1         | 79  | A1, B2,<br>C3, B6,<br>B7, B8,<br>A9     |     | Digital supply voltage, negative terminal  |
| AVCC          | 80  | A3, B3                                  |     | Analog supply voltage, positive terminal. Supplies SVS, brownout, oscillator, comparator_A, port 1, and LCD resistive divider circuitry; must not power up prior to DVCC1/DVCC2. |
| Reserved      |     | (1)                                     |     | Reserved   |

(1) A12, B11, E5, E8, F5, F8, F9, G5, G8, G9, H5, H6, H7, H8, H9, L11, M1, M12 are reserved and should be connected to ground.

## 8 Specifications

### 8.1 Absolute Maximum Ratings

over operating free-air temperature range (unless otherwise noted)

| (1)                                       | MIN  | MAX            | UNIT |
|---|------|----------------|------|
| Voltage applied at $V_{CC}$ to $V_{SS}$   | -0.3 | 4.1            | V    |
| Voltage applied to any pin <sup>(2)</sup> | -0.3 | $V_{CC} + 0.3$ | V    |
| Diode current at any device terminal      |      | $\pm 2$        | mA   |

- (1) Stresses beyond those listed under "absolute maximum ratings" may cause permanent damage to the device. These are stress ratings only, and functional operation of the device at these or any other conditions beyond those indicated under "recommended operating conditions" is not implied. Exposure to absolute-maximum-rated conditions for extended periods may affect device reliability.
- (2) All voltages referenced to  $V_{SS}$ . The JTAG fuse-blow voltage,  $V_{FB}$ , is allowed to exceed the absolute maximum rating. The voltage is applied to the TDI/TCLK pin when blowing the JTAG fuse.

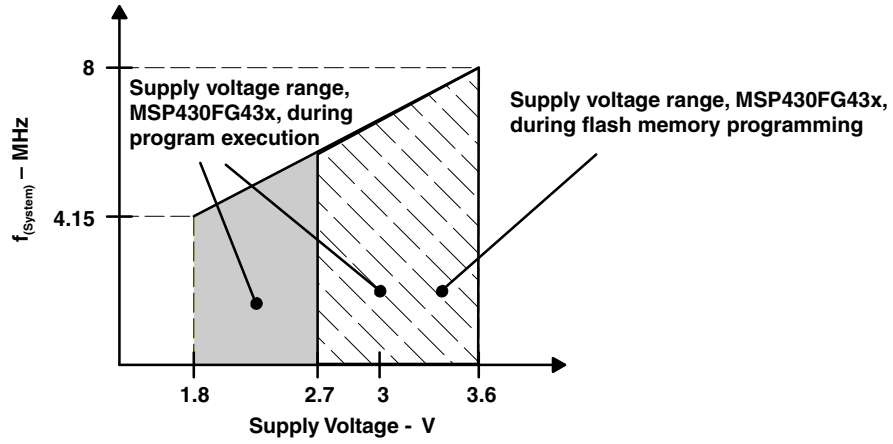
### 8.2 Handling Ratings

|           |                           | MIN                 | MAX | UNIT |    |
|-----------|---------------------------|---------------------|-----|------|----|
| $T_{stg}$ | Storage temperature range | Unprogrammed device | -55 | 150  | °C |
|           |                           | Programmed device   | -40 | 85   |    |

### 8.3 Recommended Operating Conditions

|                |   |   | MIN | NOM  | MAX    | UNIT |
|----------------|---|---|-----|------|--------|------|
| $V_{CC}$       | Supply voltage <sup>(1)</sup><br>( $AV_{CC} = DV_{CC1} = DV_{CC2} = V_{CC}$ ) | During program execution  | 1.8 |      | 3.6    | V    |
|                |   | During program execution,<br>SVS enabled and PORON = 1 <sup>(2)</sup> | 2   |      | 3.6    |      |
|                |   | During flash memory programming                                       | 2.7 |      | 3.6    |      |
| $V_{SS}$       | Supply voltage <sup>(1)</sup><br>( $AV_{SS} = DV_{SS1} = DV_{SS2} = V_{SS}$ ) |   | 0   |      | 0      | V    |
| $T_A$          | Operating free-air temperature range  |   | -40 |      | 85     | °C   |
| $f_{(LFXT1)}$  | XT1 crystal frequency <sup>(3)</sup>  | LF selected, XTS_FLL = 0  |     |      | 32.768 | kHz  |
|                |   | XT1 selected, XTS_FLL = 1   |     | 450  | 8000   |      |
|                |   | XT1 selected, XTS_FLL = 1   |     | 1000 | 8000   |      |
| $f_{(XT2)}$    | XT2 crystal frequency   | Ceramic resonator   |     | 450  | 8000   | kHz  |
|                |   | Crystal   |     | 1000 | 8000   |      |
| $f_{(System)}$ | Processor frequency (signal MCLK)   | $V_{CC} = 1.8\text{ V}$   |     | dc   | 4.15   | MHz  |
|                |   | $V_{CC} = 3.6\text{ V}$   |     | dc   | 8      |      |

- (1) It is recommended to power  $AV_{CC}$  and  $DV_{CC}$  from the same source. A maximum difference of 0.3 V between  $AV_{CC}$  and  $DV_{CC}$  can be tolerated during power up and operation.
- (2) The minimum operating supply voltage is defined according to the trip point where POR is going active by decreasing the supply voltage. POR is going inactive when the supply voltage is raised above the minimum supply voltage plus the hysteresis of the SVS circuitry.
- (3) In LF mode, the LFXT1 oscillator requires a watch crystal. In XT1 mode, LFXT1 accepts a ceramic resonator or a crystal.



**Figure 8-1. Frequency vs Supply Voltage, Typical Characteristic**

## 8.4 Supply Current Into AV<sub>CC</sub> + DV<sub>CC</sub> Excluding External Current

over recommended operating free-air temperature (unless otherwise noted)

| PARAMETER           |   | T <sub>A</sub> | V <sub>CC</sub> | MIN | TYP | MAX | UNIT |
|---------------------|---|----------------|-----------------|-----|-----|-----|------|
| I <sub>(AM)</sub>   | Active mode <sup>(1)</sup><br>f <sub>(MCLK)</sub> = f <sub>(SMCLK)</sub> = 1 MHz,<br>f <sub>(ACLK)</sub> = 32768 Hz,<br>XTS_FLL = 0, SELM = (0,1) | –40°C to 85°C  | 2.2 V           |     | 300 | 370 | μA   |
|                     |   |                | 3 V             |     | 470 | 570 |      |
| I <sub>(LPM0)</sub> | Low-power mode (LPM0) <sup>(1) (2)</sup>  | –40°C to 85°C  | 2.2 V           |     | 55  | 70  | μA   |
|                     |   |                | 3 V             |     | 95  | 150 |      |
| I <sub>(LPM2)</sub> | Low-power mode (LPM2),<br>f <sub>(MCLK)</sub> = f <sub>(SMCLK)</sub> = 0 MHz,<br>f <sub>(ACLK)</sub> = 32768 Hz, SCG0 = 0 <sup>(3) (2)</sup>      | –40°C to 85°C  | 2.2 V           |     | 11  | 14  | μA   |
|                     |   |                | 3 V             |     | 17  | 22  |      |
| I <sub>(LPM3)</sub> | Low-power mode (LPM3)<br>f <sub>(MCLK)</sub> = f <sub>(SMCLK)</sub> = 0 MHz,<br>f <sub>(ACLK)</sub> = 32768 Hz, SCG0 = 1 <sup>(3) (4) (2)</sup>   | –40°C          | 2.2 V           |     | 1   | 2   | μA   |
|                     |   | 25°C           |                 |     | 1.1 | 2   |      |
|                     |   | 60°C           |                 |     | 2   | 3   |      |
|                     |   | 85°C           |                 |     | 3.5 | 6   |      |
|                     |   | –40°C          | 3 V             |     | 1.8 | 2.8 |      |
|                     |   | 25°C           |                 |     | 1.6 | 2.7 |      |
|                     |   | 60°C           |                 |     | 2.5 | 3.5 |      |
|                     |   | 85°C           |                 |     | 4.2 | 7.5 |      |
| I <sub>(LPM4)</sub> | Low-power mode (LPM4)<br>f <sub>(MCLK)</sub> = f <sub>(SMCLK)</sub> = 0 MHz,<br>f <sub>(ACLK)</sub> = 0 Hz, SCG0 = 1 <sup>(3) (2)</sup>           | –40°C          | 2.2 V           |     | 0.1 | 0.5 | μA   |
|                     |   | 25°C           |                 |     | 0.1 | 0.5 |      |
|                     |   | 60°C           |                 |     | 0.7 | 1.1 |      |
|                     |   | 85°C           |                 |     | 1.7 | 3   |      |
|                     |   | –40°C          | 3 V             |     | 0.1 | 0.8 |      |
|                     |   | 25°C           |                 |     | 0.1 | 0.8 |      |
|                     |   | 60°C           |                 |     | 0.8 | 1.2 |      |
|                     |   | 85°C           |                 |     | 1.9 | 3.5 |      |

(1) Timer\_B is clocked by f<sub>(DCOCLK)</sub> = f<sub>(DCO)</sub> = 1 MHz. All inputs are tied to 0 V or to V<sub>CC</sub>. Outputs do not source or sink any current.

(2) Current for brownout included.

(3) All inputs are tied to 0 V or to V<sub>CC</sub>. Outputs do not source or sink any current.

(4) The current consumption in LPM3 is measured with active Basic Timer1 and LCD (ACLK selected). The current consumption of the Comparator\_A and the SVS module are specified in the respective sections. The LPM3 currents are characterized with a KDS Daishinku DT–38 (6 pF) crystal and OSCCAPx = 01h.

Current consumption of active mode versus system frequency:

$$I_{(AM)} = I_{(AM)} [1 \text{ MHz}] \times f_{(\text{System})} [\text{MHz}]$$

Current consumption of active mode versus supply voltage:

$$I_{(AM)} = I_{(AM)} [3 \text{ V}] + 175 \mu\text{A/V} \times (V_{CC} - 3 \text{ V})$$

## 8.5 Schmitt-Trigger Inputs – Ports P1 to P6, $\overline{\text{RST}}/\text{NMI}$ , JTAG (TCK, TMS, TDI/TCLK, TDO/TDI)

over recommended operating free-air temperature range (unless otherwise noted)

| PARAMETER        |   | V <sub>CC</sub> | MIN | MAX  | UNIT |
|------------------|---|-----------------|-----|------|------|
| V <sub>IT+</sub> | Positive-going input threshold voltage                          | 2.2 V           | 1.1 | 1.55 | V    |
|                  |   | 3 V             | 1.5 | 1.98 |      |
| V <sub>IT-</sub> | Negative-going input threshold voltage                          | 2.2 V           | 0.4 | 0.9  | V    |
|                  |   | 3 V             | 0.9 | 1.3  |      |
| V <sub>hys</sub> | Input voltage hysteresis (V <sub>IT+</sub> – V <sub>IT-</sub> ) | 2.2 V           | 0.3 | 1.1  | V    |
|                  |   | 3 V             | 0.5 | 1    |      |

## 8.6 Inputs P<sub>x.y</sub>, TAx, TBx

over recommended operating free-air temperature range (unless otherwise noted)

| PARAMETER            |  | TEST CONDITIONS  | V <sub>CC</sub> | MIN | MAX | UNIT |
|----------------------|--|--|-----------------|-----|-----|------|
| t <sub>(int)</sub>   | External interrupt timing                                    | Port P1, P2: P1.x to P2.x, external trigger signal for the interrupt flag <sup>(1)</sup> | 2.2 V           | 62  |     | ns   |
|                      |  |  | 3 V             | 50  |     |      |
| t <sub>(cap)</sub>   | Timer_A or Timer_B capture timing                            | TA0, TA1, TA2<br>TB0, TB1, TB2   | 2.2 V           | 62  |     | ns   |
|                      |  |  | 3 V             | 50  |     |      |
| f <sub>(TAext)</sub> | Timer_A or Timer_B clock frequency externally applied to pin | TACLK, TBCLK, INCLK: t <sub>(H)</sub> = t <sub>(L)</sub>                                 | 2.2 V           |     | 8   | MHz  |
| f <sub>(TBext)</sub> |  |  | 3 V             |     | 10  |      |
| f <sub>(TAint)</sub> | Timer_A or Timer_B clock frequency                           | SMCLK or ACLK signal selected  | 2.2 V           |     | 8   | MHz  |
| f <sub>(TBint)</sub> |  |  | 3 V             |     | 10  |      |

(1) The external signal sets the interrupt flag every time the minimum t<sub>(int)</sub> parameters are met. It might be set with trigger signals shorter than t<sub>(int)</sub>.

## 8.7 Leakage Current – Ports P1 to P6

over recommended operating free-air temperature range (unless otherwise noted)

| PARAMETER <sup>(1)</sup> |                          | TEST CONDITIONS        |                              | MIN | MAX | UNIT |
|--------------------------|--------------------------|------------------------|------------------------------|-----|-----|------|
| I <sub>lkg(Px.y)</sub>   | Leakage current, Port Px | V(Px.y) <sup>(2)</sup> | V <sub>CC</sub> = 2.2 V, 3 V |     | ±50 | nA   |

(1) The leakage current is measured with V<sub>SS</sub> or V<sub>CC</sub> applied to the corresponding pins, unless otherwise noted.

(2) The port pin must be selected as input.

## 8.8 Outputs – Ports P1 to P6

over recommended operating free-air temperature range (unless otherwise noted)

| PARAMETER       |                           | TEST CONDITIONS  | MIN                    | MAX                    | UNIT |
|-----------------|---------------------------|--|------------------------|------------------------|------|
| V <sub>OH</sub> | High-level output voltage | I <sub>OH(max)</sub> = –1.5 mA, V <sub>CC</sub> = 2.2 V <sup>(1)</sup> | V <sub>CC</sub> – 0.25 | V <sub>CC</sub>        | V    |
|                 |                           | I <sub>OH(max)</sub> = –6 mA, V <sub>CC</sub> = 2.2 V <sup>(2)</sup>   | V <sub>CC</sub> – 0.6  | V <sub>CC</sub>        |      |
|                 |                           | I <sub>OH(max)</sub> = –1.5 mA, V <sub>CC</sub> = 3 V <sup>(1)</sup>   | V <sub>CC</sub> – 0.25 | V <sub>CC</sub>        |      |
|                 |                           | I <sub>OH(max)</sub> = –6 mA, V <sub>CC</sub> = 3 V <sup>(2)</sup>     | V <sub>CC</sub> – 0.6  | V <sub>CC</sub>        |      |
| V <sub>OL</sub> | Low-level output voltage  | I <sub>OL(max)</sub> = 1.5 mA, V <sub>CC</sub> = 2.2 V <sup>(1)</sup>  | V <sub>SS</sub>        | V <sub>SS</sub> + 0.25 | V    |
|                 |                           | I <sub>OL(max)</sub> = 6 mA, V <sub>CC</sub> = 2.2 V <sup>(2)</sup>    | V <sub>SS</sub>        | V <sub>SS</sub> + 0.6  |      |
|                 |                           | I <sub>OL(max)</sub> = 1.5 mA, V <sub>CC</sub> = 3 V <sup>(1)</sup>    | V <sub>SS</sub>        | V <sub>SS</sub> + 0.25 |      |
|                 |                           | I <sub>OL(max)</sub> = 6 mA, V <sub>CC</sub> = 3 V <sup>(2)</sup>      | V <sub>SS</sub>        | V <sub>SS</sub> + 0.6  |      |

- (1) The maximum total current, I<sub>OH(max)</sub> and I<sub>OL(max)</sub>, for all outputs combined, should not exceed ±12 mA to satisfy the maximum specified voltage drop.
- (2) The maximum total current, I<sub>OH(max)</sub> and I<sub>OL(max)</sub>, for all outputs combined, should not exceed ±48 mA to satisfy the maximum specified voltage drop.

## 8.9 Output Frequency

over recommended operating free-air temperature range (unless otherwise noted)

| PARAMETER                                    |                                | TEST CONDITIONS  | MIN   | TYP            | MAX                   | UNIT          |
|--|--------------------------------|--|---|----------------|-----------------------|---------------|
| f <sub>(Px.y)</sub>                          | (1 ≤ x ≤ 6, 0 ≤ y ≤ 7)         | C <sub>L</sub> = 20 F,<br>I <sub>L</sub> = ±1.5 mA                           | V <sub>CC</sub> = 2.2 V, 3 V                                    | dc             | f <sub>(System)</sub> | MHz           |
| f <sub>(MCLK)</sub>                          | P1.1/TA0/MCLK                  | C <sub>L</sub> = 20 pF   |   |                | f <sub>(System)</sub> | MHz           |
| f <sub>(SMCLK)</sub>                         | P1.4/TBCLK/SMCLK               |  |   |                |                       |               |
| f <sub>(ACLK)</sub>                          | P1.5/TACLK/ACLK                |  |   |                |                       |               |
| t <sub>(Xdc)</sub>                           | Duty cycle of output frequency | P1.5/TACLK/ACLK,<br>C <sub>L</sub> = 20 pF,<br>V <sub>CC</sub> = 2.2 V, 3 V  | f <sub>(ACLK)</sub> = f <sub>(LFXT1)</sub> = f <sub>(XT1)</sub> | 40%            | 60%                   |               |
|  |                                |  | f <sub>(ACLK)</sub> = f <sub>(LFXT1)</sub> = f <sub>(LF)</sub>  | 30%            | 70%                   |               |
|  |                                |  | f <sub>(ACLK)</sub> = f <sub>(LFXT1)</sub>                      | 50%            |                       |               |
|  |                                | P1.1/TA0/MCLK,<br>C <sub>L</sub> = 20 pF,<br>V <sub>CC</sub> = 2.2 V, 3 V    | f <sub>(MCLK)</sub> = f <sub>(XT1)</sub>                        | 40%            | 60%                   |               |
|  |                                |  | f <sub>(MCLK)</sub> = f <sub>(DCOCLK)</sub>                     | 50% –<br>15 ns | 50%                   | 50%+<br>15 ns |
|  |                                | P1.4/TBCLK/SMCLK,<br>C <sub>L</sub> = 20 pF,<br>V <sub>CC</sub> = 2.2 V, 3 V | f <sub>(SMCLK)</sub> = f <sub>(XT2)</sub>                       | 40%            | 60%                   |               |
| f <sub>(SMCLK)</sub> = f <sub>(DCOCLK)</sub> | 50% –<br>15 ns                 |  | 50%   | 50%+<br>15 ns  |                       |               |

## 8.10 Typical Characteristics – Outputs

over recommended ranges of supply voltage and operating free-air temperature (unless otherwise noted)

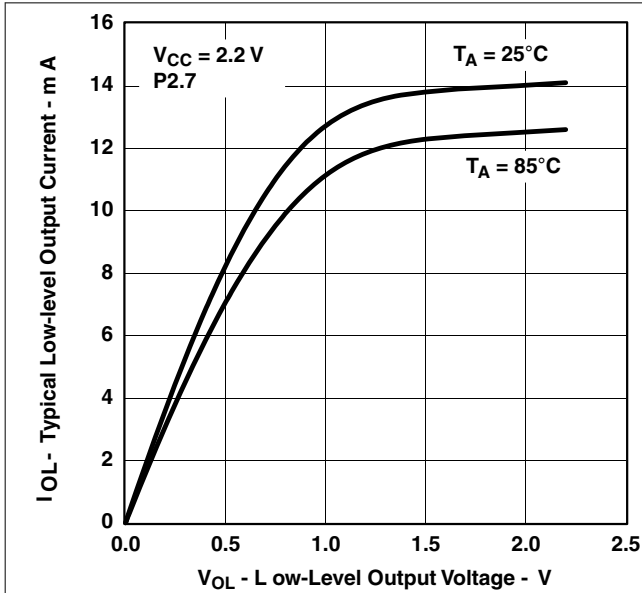


Figure 8-2. Typical Low-Level Output Current vs Typical Low-Level Output Current

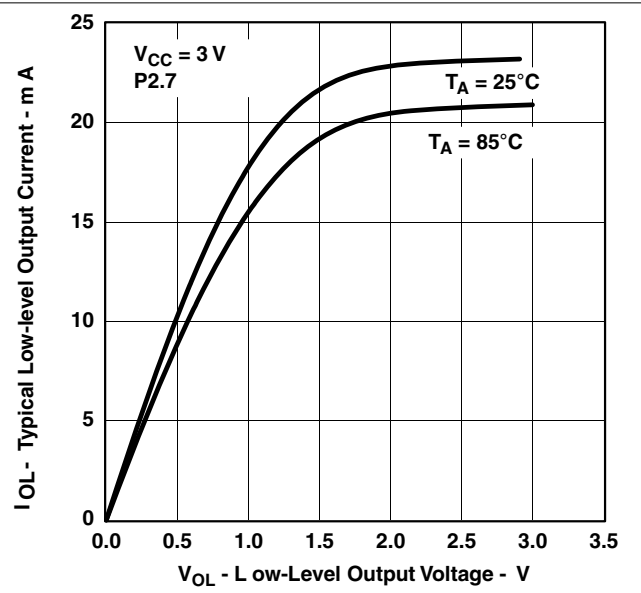


Figure 8-3. Typical Low-Level Output Current vs Typical Low-Level Output Current

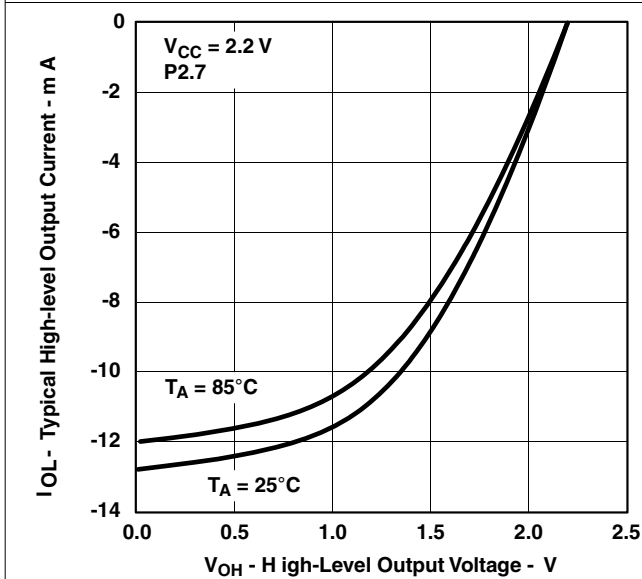


Figure 8-4. Typical High-Level Output Current vs Typical High-Level Output Current

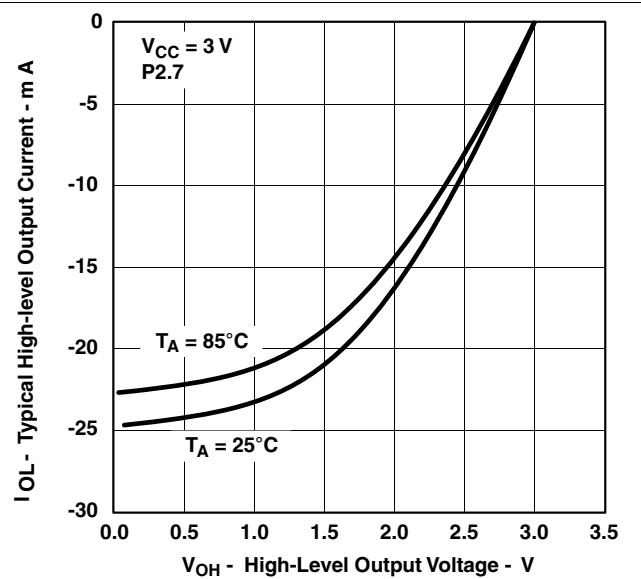


Figure 8-5. Typical High-Level Output Current vs Typical High-Level Output Current

## 8.11 Wake-Up From LPM3

over recommended operating free-air temperature range (unless otherwise noted)

| PARAMETER     |            | TEST CONDITIONS |                                     | MIN | MAX | UNIT          |
|---------------|------------|-----------------|-------------------------------------|-----|-----|---------------|
| $t_{d(LPM3)}$ | Delay time | f = 1 MHz       | $V_{CC} = 2.2\text{ V}, 3\text{ V}$ |     | 6   | $\mu\text{s}$ |
|               |            | f = 2 MHz       |                                     | 6   |     |               |
|               |            | f = 3 MHz       |                                     | 6   |     |               |

## 8.12 RAM

over recommended operating free-air temperature range (unless otherwise noted)

| PARAMETER  | TEST CONDITIONS           | MIN | MAX | UNIT |
|------------|---------------------------|-----|-----|------|
| $V_{RAMh}$ | CPU halted <sup>(1)</sup> | 1.6 |     | V    |

(1) This parameter defines the minimum supply voltage when the data in program memory RAM remain unchanged. No program execution should take place during this supply voltage condition.

## 8.13 LCD

over recommended operating free-air temperature range (unless otherwise noted)

| PARAMETER             |                      | TEST CONDITIONS                                    |   | MIN   | TYP            | MAX            | UNIT |
|-----------------------|----------------------|--|---|---|----------------|----------------|------|
| $V_{(33)}$            | Analog voltage       | Voltage at P5.7/R33                                | $V_{CC} = 3\text{ V}$   | 2.5   |                | $V_{CC} + 0.2$ | V    |
| $V_{(23)}$            |                      | Voltage at P5.6/R23                                |   | $[V_{(33)} - V_{(03)}] \times 2/3 + V_{(03)}$ |                |                |      |
| $V_{(13)}$            |                      | Voltage at P5.5/R13                                |   | $[V_{(33)} - V_{(03)}] \times 1/3 + V_{(03)}$ |                |                |      |
| $V_{(33)} - V_{(03)}$ |                      | Voltage at R33 to R03                              |   | 2.5   | $V_{CC} + 0.2$ |                |      |
| $I_{(R03)}$           | Input leakage        | $R03 = V_{SS}$                                     | No load at all segment and common lines,<br>$V_{CC} = 3\text{ V}$ |   |                | $\pm 20$       | nA   |
| $I_{(R13)}$           |                      | $P5.5/R13 = V_{CC}/3$                              |   |   |                | $\pm 20$       |      |
| $I_{(R23)}$           |                      | $P5.6/R23 = 2 \times V_{CC}/3$                     |   |   |                | $\pm 20$       |      |
| $V_{(Sxx0)}$          | Segment line voltage | $I_{(Sxx)} = -3\ \mu\text{A}, V_{CC} = 3\text{ V}$ |   | $V_{(03)}$                                    |                | $V_{(03)} - 1$ | V    |
| $V_{(Sxx1)}$          |                      |  |   | $V_{(13)}$                                    | $V_{(13)} - 1$ |                |      |
| $V_{(Sxx2)}$          |                      |  |   | $V_{(23)}$                                    | $V_{(23)} - 1$ |                |      |
| $V_{(Sxx3)}$          |                      |  |   | $V_{(33)}$                                    | $V_{(33)} - 1$ |                |      |

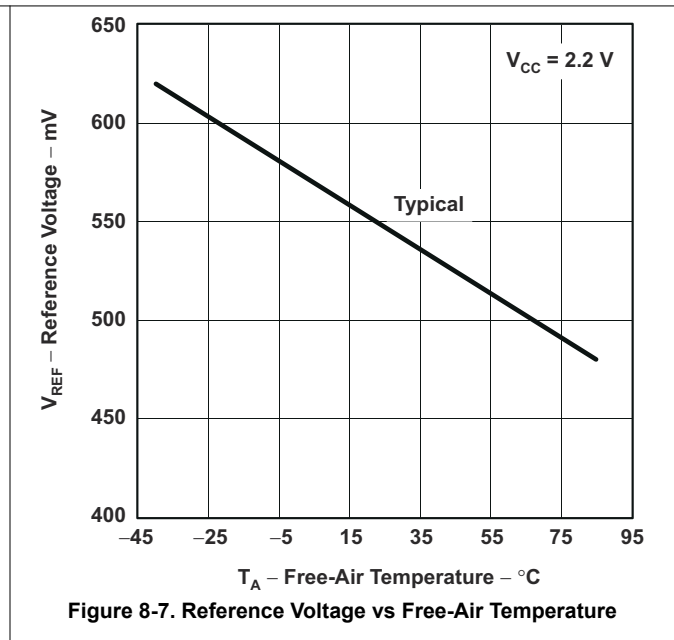
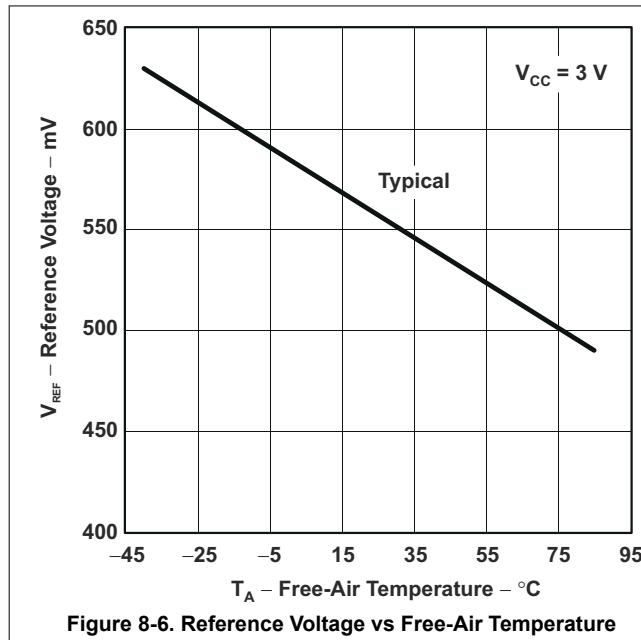
### 8.14 Comparator\_A

over recommended operating free-air temperature range (unless otherwise noted)

| PARAMETER <sup>(1)</sup>          |  | TEST CONDITIONS  | V <sub>CC</sub> | MIN  | TYP  | MAX                 | UNIT |
|-----------------------------------|--|--|-----------------|------|------|---------------------|------|
| I <sub>(CC)</sub>                 |  | CAON = 1, CARSEL = 0, CAREF = 0  | 2.2 V           | 25   | 50   |                     | μA   |
|                                   |  |  | 3 V             | 45   | 60   |                     |      |
| I <sub>(Refladder/RefDiode)</sub> |  | CAON = 1, CARSEL = 0, CAREF = (1,2,3),<br>No load at P1.6/CA0 and P1.7/CA1                     | 2.2 V           | 30   | 50   |                     | μA   |
|                                   |  |  | 3 V             | 45   | 71   |                     |      |
| V <sub>(Ref025)</sub>             | (Voltage at 0.25 V <sub>CC</sub> node) / V <sub>CC</sub> | PCA0 = 1, CARSEL = 1, CAREF = 1,<br>No load at P1.6/CA0 and P1.7/CA1                           | 2.2 V, 3 V      | 0.23 | 0.24 | 0.25                |      |
| V <sub>(Ref050)</sub>             | (Voltage at 0.55 V <sub>CC</sub> node) / V <sub>CC</sub> | PCA0 = 1, CARSEL = 1, CAREF = 2,<br>No load at P1.6/CA0 and P1.7/CA1                           | 2.2 V, 3 V      | 0.47 | 0.48 | 0.5                 |      |
| V <sub>(RefVT)</sub>              | See Figure 8-6 and Figure 8-7                            | PCA0 = 1, CARSEL = 1, CAREF = 3,<br>No load at P1.6/CA0 and P1.7/CA1,<br>T <sub>A</sub> = 85°C | 2.2 V           | 390  | 480  | 540                 | mV   |
|                                   |  |  | 3 V             | 400  | 490  | 550                 |      |
| V <sub>IC</sub>                   | Common-mode input voltage range                          | CAON = 1   | 2.2 V, 3 V      | 0    |      | V <sub>CC</sub> - 1 | V    |
| V <sub>p</sub> - V <sub>s</sub>   | Offset voltage   | See <sup>(2)</sup>   | 2.2 V, 3 V      | -30  |      | 30                  | mV   |
| V <sub>hys</sub>                  | Input hysteresis   | CAON = 1   | 2.2 V, 3 V      | 0    | 0.7  | 1.4                 | mV   |
| t <sub>(response LH)</sub>        |  | T <sub>A</sub> = 25°C,<br>Overdrive 10 mV, without filter: CAF = 0                             | 2.2 V           | 160  | 210  | 300                 | ns   |
|                                   |  |  | 3 V             | 80   | 150  | 240                 |      |
|                                   |  | T <sub>A</sub> = 25°C,<br>Overdrive 10 mV, with filter: CAF = 1                                | 2.2 V           | 1.4  | 1.9  | 3.4                 | μs   |
|                                   |  |  | 3 V             | 0.9  | 1.5  | 2.6                 |      |
| t <sub>(response HL)</sub>        |  | T <sub>A</sub> = 25°C,<br>Overdrive 10 mV, without filter: CAF = 0                             | 2.2 V           | 130  | 210  | 300                 | ns   |
|                                   |  |  | 3 V             | 80   | 150  | 240                 |      |
|                                   |  | T <sub>A</sub> = 25°C,<br>Overdrive 10 mV, with filter: CAF = 1                                | 2.2 V           | 1.4  | 1.9  | 3.4                 | μs   |
|                                   |  |  | 3 V             | 0.9  | 1.5  | 2.6                 |      |

- (1) The leakage current for the Comparator\_A terminals is identical to I<sub>lkg(Px,y)</sub> specification.
- (2) The input offset voltage can be cancelled by using the CAEX bit to invert the Comparator\_A inputs on successive measurements. The two successive measurements are then summed together.

### 8.15 Comparator\_A Typical Characteristics



### 8.15 Comparator\_A Typical Characteristics (continued)

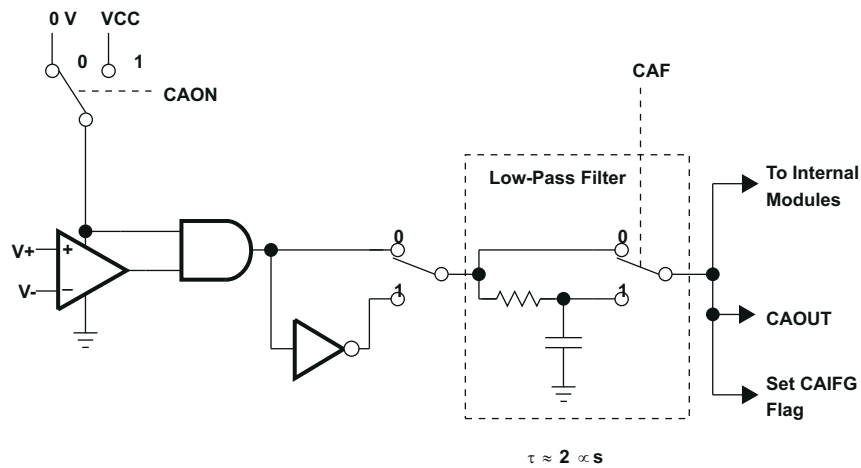


Figure 8-8. Block Diagram of Comparator\_A Module

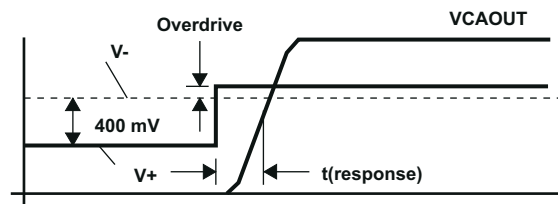


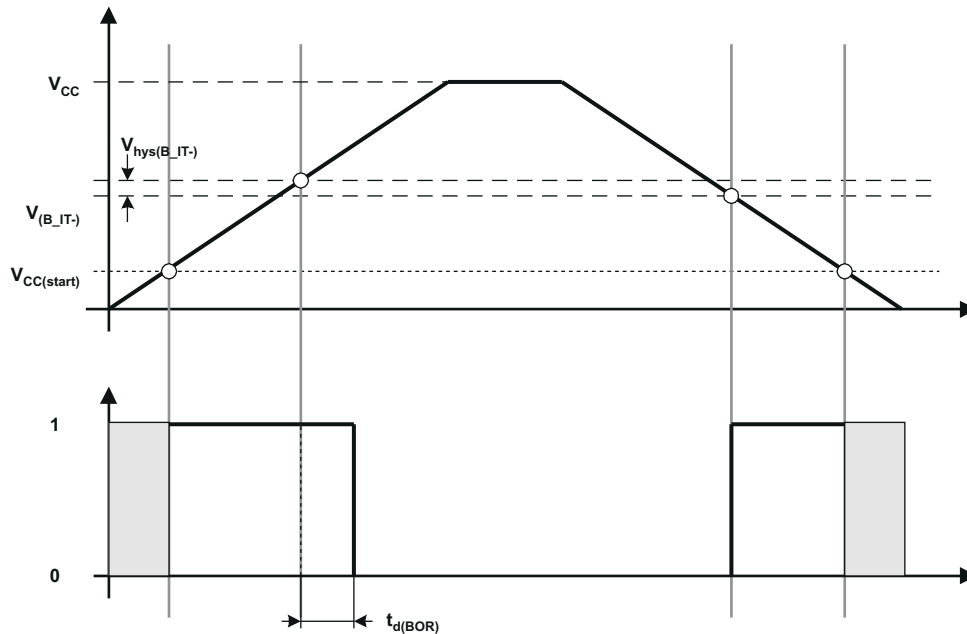
Figure 8-9. Overdrive Definition

### 8.16 Power-On Reset (POR) and Brownout Reset (BOR)

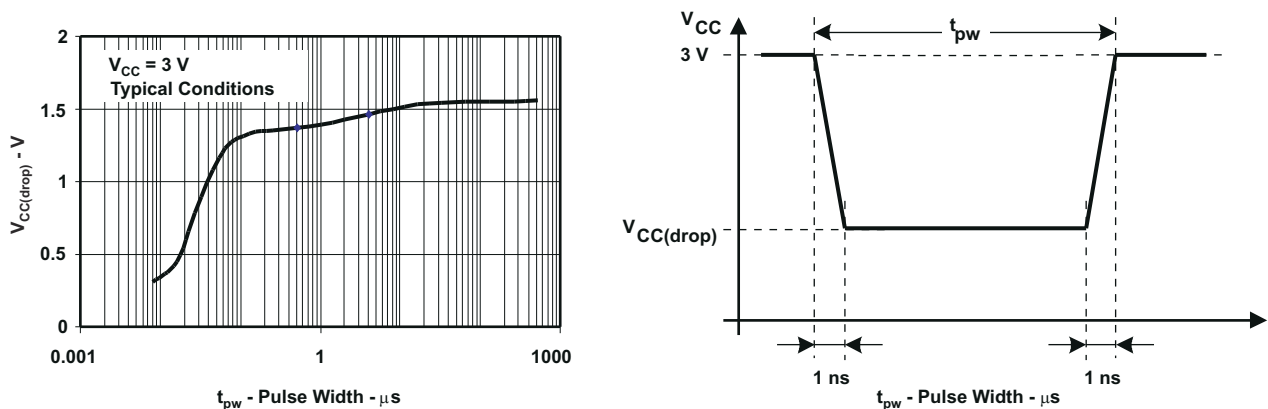
over recommended operating free-air temperature range (unless otherwise noted)

| PARAMETER <sup>(1)</sup> | TEST CONDITIONS  | MIN | TYP                       | MAX  | UNIT          |
|--------------------------|--|-----|---------------------------|------|---------------|
| $t_{d(BOR)}$             |  |     |                           | 2000 | $\mu\text{s}$ |
| $V_{CC(start)}$          | $dV_{CC}/dt \leq 3 \text{ V/s}$ (see Figure 8-10)  |     | $0.7 \times V_{(B\_IT-)}$ |      | V             |
| $V_{(B\_IT-)}$           | $dV_{CC}/dt \leq 3 \text{ V/s}$ (see Figure 8-10 through Figure 8-12)                                  |     | 1.71                      |      | V             |
| $V_{hys(B\_IT-)}$        | $dV_{CC}/dt \leq 3 \text{ V/s}$ (see Figure 8-10)  | 70  | 130                       | 210  | mV            |
| $t_{(reset)}$            | Pulse length needed at RST/NMI pin to accepted reset internally, $V_{CC} = 2.2 \text{ V}, 3 \text{ V}$ | 2   |                           |      | $\mu\text{s}$ |

- (1) The current consumption of the brownout module is already included in the  $I_{CC}$  current consumption data. The voltage level  $V_{(B\_IT-)} + V_{hys(B\_IT-)}$  is  $\leq 1.8 \text{ V}$ .
- (2) During power up, the CPU begins code execution following a period of  $t_{d(BOR)}$  after  $V_{CC} = V_{(B\_IT-)} + V_{hys(B\_IT-)}$ . The default FLL+ settings must not be changed until  $V_{CC} \geq V_{CC(min)}$ , where  $V_{CC(min)}$  is the minimum supply voltage for the desired operating frequency. See the *MSP430x4xx Family User's Guide (SLAU056)* for more information on the brownout/SVS circuit.



**Figure 8-10. POR and BOR vs Supply Voltage**



**Figure 8-11.  $V_{CC(drop)}$  Level with a Square Voltage Drop to Generate a POR or BOR Signal**

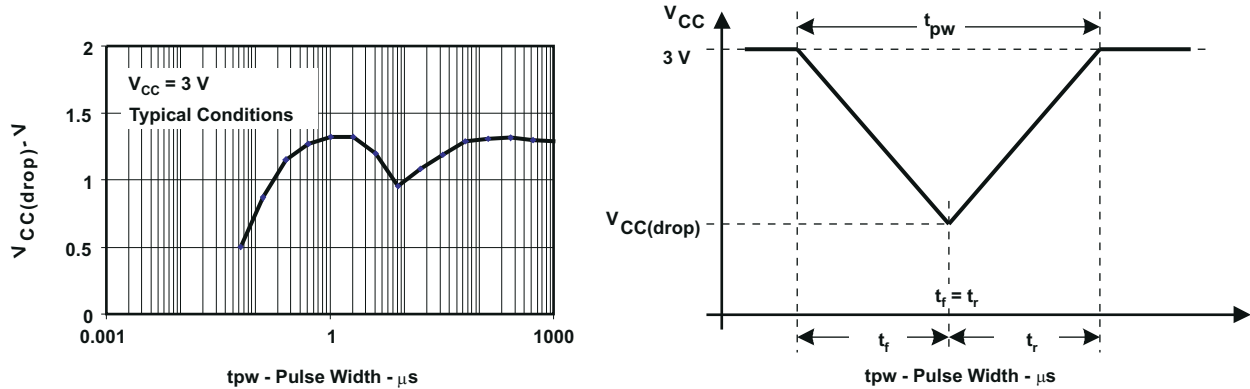


Figure 8-12.  $V_{CC(drop)}$  Level With a Triangle Voltage Drop to Generate a POR or BOR Signal

### 8.17 Supply Voltage Supervisor (SVS) and Supply Voltage Monitor (SVM)

over recommended operating free-air temperature range (unless otherwise noted)

| PARAMETER                    | TEST CONDITIONS  | MIN           | TYP                           | MAX                | UNIT                          |    |
|------------------------------|--|---------------|-------------------------------|--------------------|-------------------------------|----|
| $t_{(SVSR)}$                 | $dV_{CC}/dt > 30 \text{ V/ms}$ (see Figure 8-13)                                 | 5             |                               | 150                | $\mu\text{s}$                 |    |
|                              | $dV_{CC}/dt \leq 30 \text{ V/ms}$  |               |                               | 2000               |                               |    |
| $t_{d(SVson)}$               | SVS on, switch from VLD = 0 to VLD $\neq$ 0, $V_{CC} = 3 \text{ V}$              |               | 150                           | 300                | $\mu\text{s}$                 |    |
| $t_{\text{settle}}$          | VLD $\neq$ 0 <sup>(1)</sup>  |               |                               | 12                 | $\mu\text{s}$                 |    |
| $V_{(SVSstart)}$             | VLD $\neq$ 0, $V_{CC}/dt \leq 3 \text{ V/s}$ (see Figure 8-13)                   |               | 1.55                          | 1.7                | V                             |    |
| $V_{\text{hys}(SVS\_IT-)}$   | $V_{CC}/dt \leq 3 \text{ V/s}$ (see Figure 8-13)                                 | VLD = 1       | 70                            | 120                | 155                           | mV |
|                              |  | VLD = 2 to 14 | $V_{(SVS\_IT-)} \times 0.001$ |                    | $V_{(SVS\_IT-)} \times 0.016$ |    |
|                              | $V_{CC}/dt \leq 3 \text{ V/s}$ (see Figure 8-13), external voltage applied on A7 | VLD = 15      | 4.4                           |                    | 20                            | mV |
| $V_{(SVS\_IT-)}$             | $V_{CC}/dt \leq 3 \text{ V/s}$ (see Figure 8-13)                                 | VLD = 1       | 1.8                           | 1.9                | 2.05                          | V  |
|                              |  | VLD = 2       | 1.94                          | 2.1                | 2.23                          |    |
|                              |  | VLD = 3       | 2.05                          | 2.2                | 2.35                          |    |
|                              |  | VLD = 4       | 2.14                          | 2.3                | 2.46                          |    |
|                              |  | VLD = 5       | 2.24                          | 2.4                | 2.58                          |    |
|                              |  | VLD = 6       | 2.33                          | 2.5                | 2.69                          |    |
|                              |  | VLD = 7       | 2.46                          | 2.65               | 2.84                          |    |
|                              |  | VLD = 8       | 2.58                          | 2.8                | 2.97                          |    |
|                              |  | VLD = 9       | 2.69                          | 2.9                | 3.10                          |    |
|                              |  | VLD = 10      | 2.83                          | 3.05               | 3.26                          |    |
|                              |  | VLD = 11      | 2.94                          | 3.2                | 3.39                          |    |
|                              |  | VLD = 12      | 3.11                          | 3.35               | 3.58 <sup>(2)</sup>           |    |
|                              |  | VLD = 13      | 3.24                          | 3.5                | 3.73 <sup>(2)</sup>           |    |
|                              |  | VLD = 14      | 3.43                          | 3.7 <sup>(2)</sup> | 3.96 <sup>(2)</sup>           |    |
|                              | $V_{CC}/dt \leq 3 \text{ V/s}$ (see Figure 8-13), external voltage applied on A7 | VLD = 15      | 1.1                           | 1.2                | 1.3                           |    |
| $I_{CC(SVS)}$ <sup>(3)</sup> | VLD $\neq$ 0, $V_{CC} = 2.2 \text{ V}, 3 \text{ V}$                              |               | 10                            | 15                 | $\mu\text{A}$                 |    |

- (1)  $t_{\text{settle}}$  is the settling time that the comparator output needs to have a stable level after VLD is switched from VLD  $\neq$  0 to a different VLD value somewhere between 2 and 15. The overdrive is assumed to be  $> 50 \text{ mV}$ .
- (2) The recommended operating voltage range is limited to 3.6 V.
- (3) The current consumption of the SVS module is not included in the  $I_{CC}$  current consumption data.

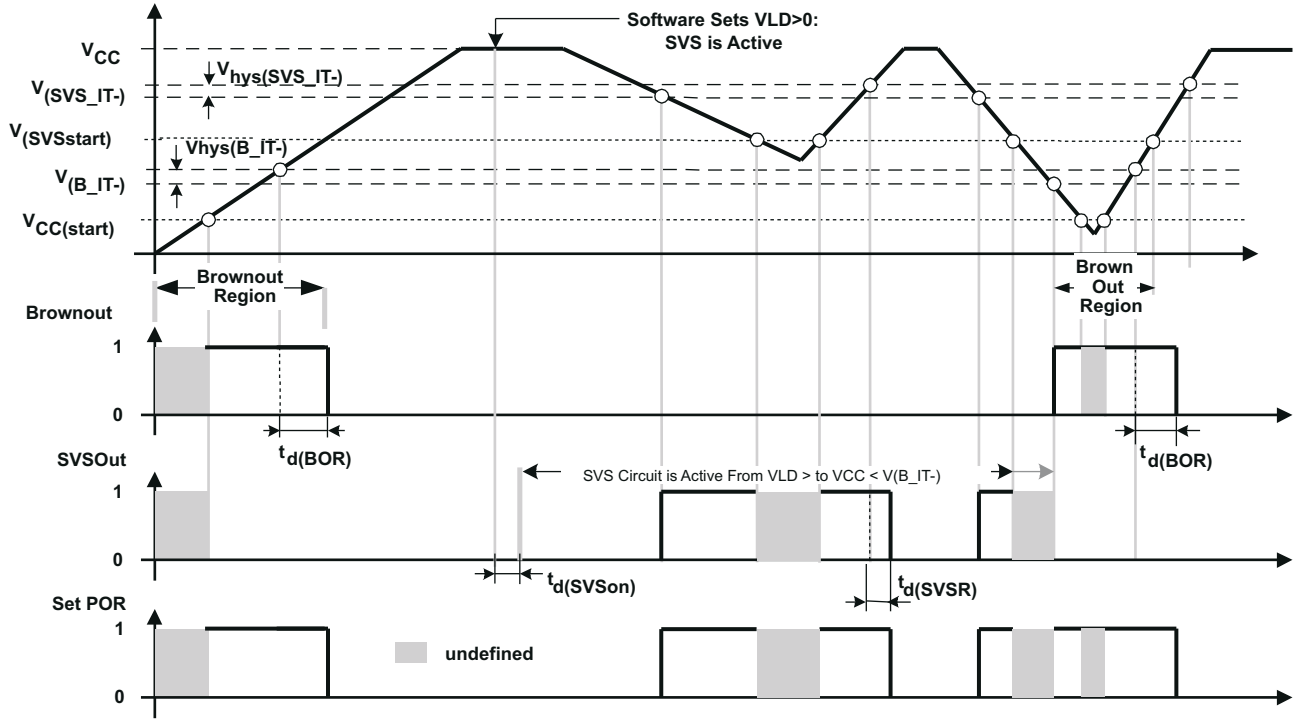


Figure 8-13. SVS Reset (SVSR) vs Supply Voltage

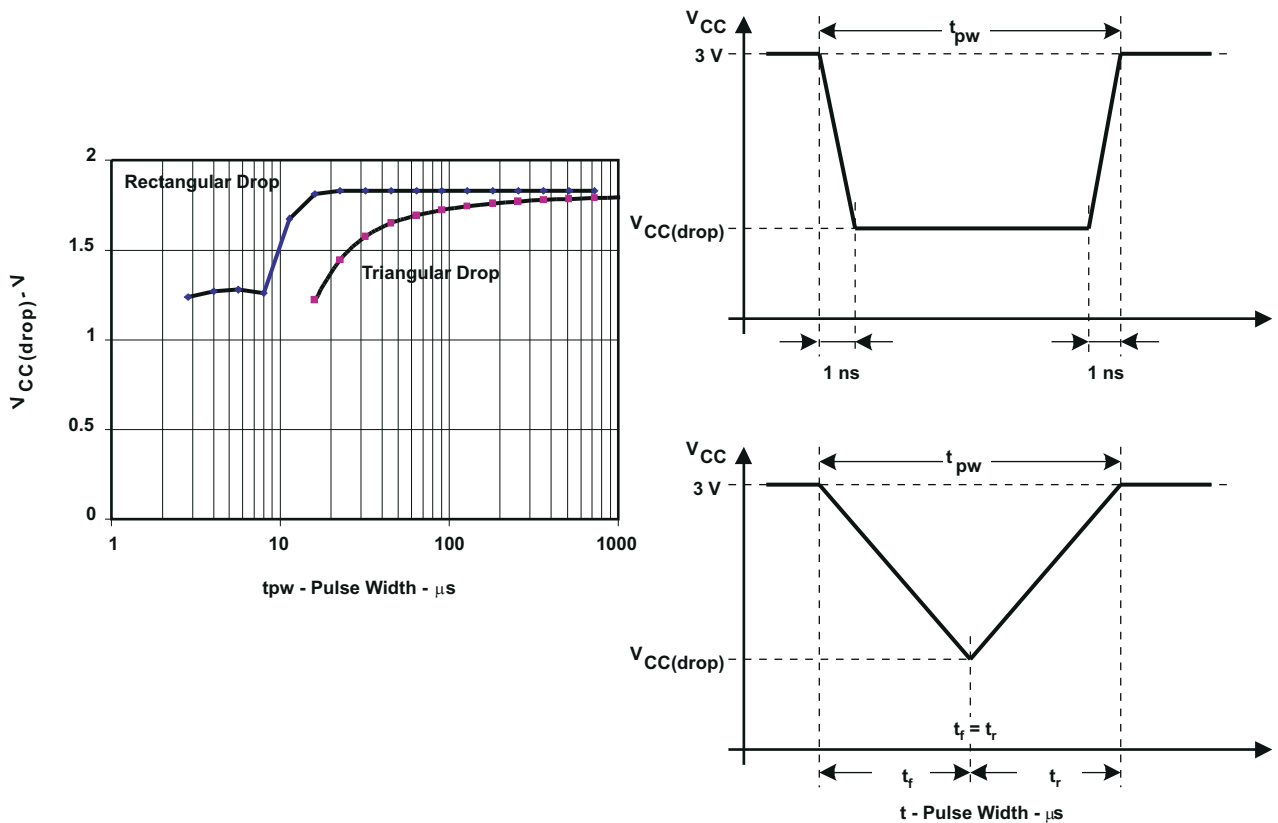


Figure 8-14.  $V_{CC(drop)}$  With a Square Voltage Drop and a Triangle Voltage Drop to Generate an SVS Signal

## 8.18 DCO

over recommended operating free-air temperature range (unless otherwise noted)

| PARAMETER             | TEST CONDITIONS   | V <sub>CC</sub> | MIN  | TYP  | MAX  | UNIT              |
|-----------------------|---|-----------------|------|------|------|-------------------|
| f <sub>(DCOCLK)</sub> | N <sub>(DCO)</sub> = 01Eh, FN <sub>8</sub> = FN <sub>4</sub> = FN <sub>3</sub> = FN <sub>2</sub> = 0, D = 2, DCOPLUS = 0, f <sub>Crystal</sub> = 32.738 kHz       | 2.2 V, 3 V      |      | 1    |      | MHz               |
| f <sub>(DCO=2)</sub>  | FN <sub>8</sub> =FN <sub>4</sub> = FN <sub>3</sub> = FN <sub>2</sub> = 0, DCOPLUS = 1   | 2.2 V           | 0.3  | 0.65 | 1.25 | MHz               |
|                       |   | 3 V             | 0.3  | 0.7  | 1.3  |                   |
| f <sub>(DCO=27)</sub> | FN <sub>8</sub> = FN <sub>4</sub> = FN <sub>3</sub> = FN <sub>2</sub> = 0, DCOPLUS = 1  | 2.2 V           | 2.5  | 5.6  | 10.5 | MHz               |
|                       |   | 3 V             | 2.7  | 6.1  | 11.3 |                   |
| f <sub>(DCO=2)</sub>  | FN <sub>8</sub> = FN <sub>4</sub> = FN <sub>3</sub> = FN <sub>2</sub> = 1, DCOPLUS = 1  | 2.2 V           | 0.7  | 1.3  | 2.3  | MHz               |
|                       |   | 3 V             | 0.8  | 1.5  | 2.5  |                   |
| f <sub>(DCO=27)</sub> | FN <sub>8</sub> = FN <sub>4</sub> = FN <sub>3</sub> = FN <sub>2</sub> = 1, DCOPLUS = 1  | 2.2 V           | 5.7  | 10.8 | 18   | MHz               |
|                       |   | 3 V             | 6.5  | 12.1 | 20   |                   |
| f <sub>(DCO=2)</sub>  | FN <sub>8</sub> = FN <sub>4</sub> = 0, FN <sub>3</sub> = 1, FN <sub>2</sub> = x, DCOPLUS = 1  | 2.2 V           | 1.2  | 2    | 3    | MHz               |
|                       |   | 3 V             | 1.3  | 2.2  | 3.5  |                   |
| f <sub>(DCO=27)</sub> | FN <sub>8</sub> = FN <sub>4</sub> = 0, FN <sub>3</sub> = 1, FN <sub>2</sub> = x, DCOPLUS = 1  | 2.2 V           | 9    | 15.5 | 25   | MHz               |
|                       |   | 3 V             | 10.3 | 17.9 | 28.5 |                   |
| f <sub>(DCO=2)</sub>  | FN <sub>8</sub> = 0, FN <sub>4</sub> = 1, FN <sub>3</sub> = FN <sub>2</sub> = x, DCOPLUS = 1  | 2.2 V           | 1.8  | 2.8  | 4.2  | MHz               |
|                       |   | 3 V             | 2.1  | 3.4  | 5.2  |                   |
| f <sub>(DCO=27)</sub> | FN <sub>8</sub> = 0, FN <sub>4</sub> = 1, FN <sub>3</sub> = FN <sub>2</sub> = x, DCOPLUS = 1  | 2.2 V           | 13.5 | 21.5 | 33   | MHz               |
|                       |   | 3 V             | 16   | 26.6 | 41   |                   |
| f <sub>(DCO=2)</sub>  | FN <sub>8</sub> = 1, FN <sub>4</sub> = FN <sub>3</sub> = FN <sub>2</sub> = x, DCOPLUS = 1   | 2.2 V           | 2.8  | 4.2  | 6.2  | MHz               |
|                       |   | 3 V             | 4.2  | 6.3  | 9.2  |                   |
| f <sub>(DCO=27)</sub> | FN <sub>8</sub> = 1, FN <sub>4</sub> = FN <sub>3</sub> = FN <sub>2</sub> = x, DCOPLUS = 1   | 2.2 V           | 21   | 32   | 46   | MHz               |
|                       |   | 3 V             | 30   | 46   | 70   |                   |
| S <sub>n</sub>        | Step size between adjacent DCO taps:<br>S <sub>n</sub> = f <sub>DCO(Tap n+1)</sub> / f <sub>DCO(Tap n)</sub> (see Figure 8-16 for taps 21 to 27)                  | 1 < TAP ≤ 20    | 1.06 |      | 1.11 |                   |
|                       |   | TAP = 27        | 1.07 |      | 1.17 |                   |
| D <sub>t</sub>        | Temperature drift, N <sub>(DCO)</sub> = 01Eh,<br>FN <sub>8</sub> = FN <sub>4</sub> = FN <sub>3</sub> = FN <sub>2</sub> = 0, D = 2, DCOPLUS = 0                    | 2.2 V           | -0.2 | -0.3 | -0.4 | %/ <sup>o</sup> C |
|                       |   | 3 V             | -0.2 | -0.3 | -0.4 |                   |
| D <sub>V</sub>        | Drift with V <sub>CC</sub> variation, N <sub>(DCO)</sub> = 01Eh,<br>FN <sub>8</sub> = FN <sub>4</sub> = FN <sub>3</sub> = FN <sub>2</sub> = 0, D = 2, DCOPLUS = 0 | 2.2 V, 3 V      | 0    | 5    | 15   | %/V               |

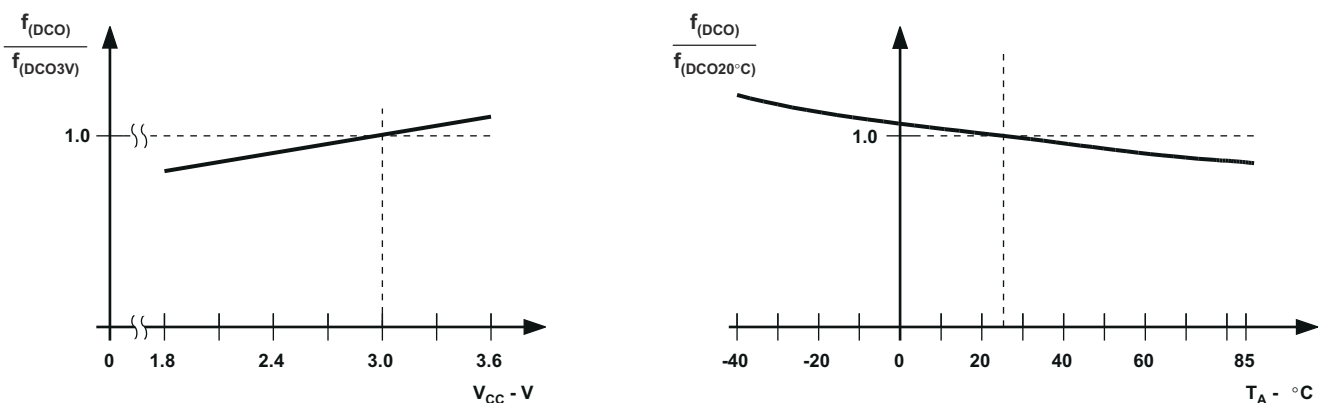
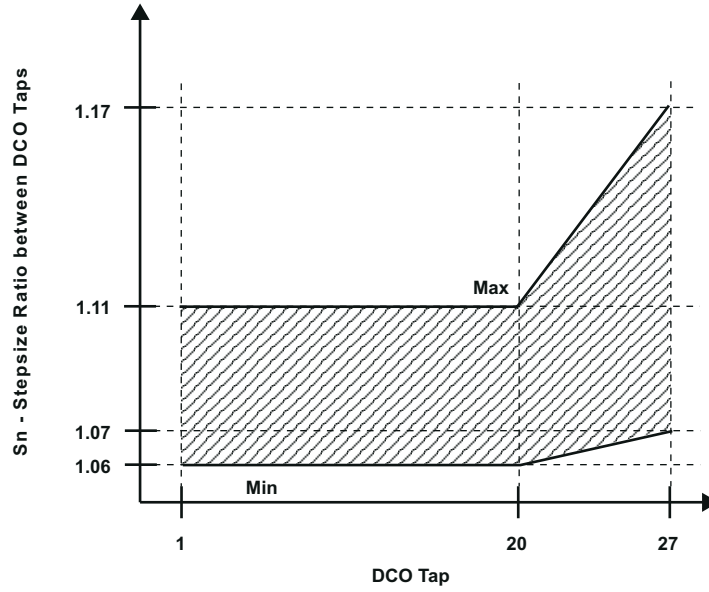
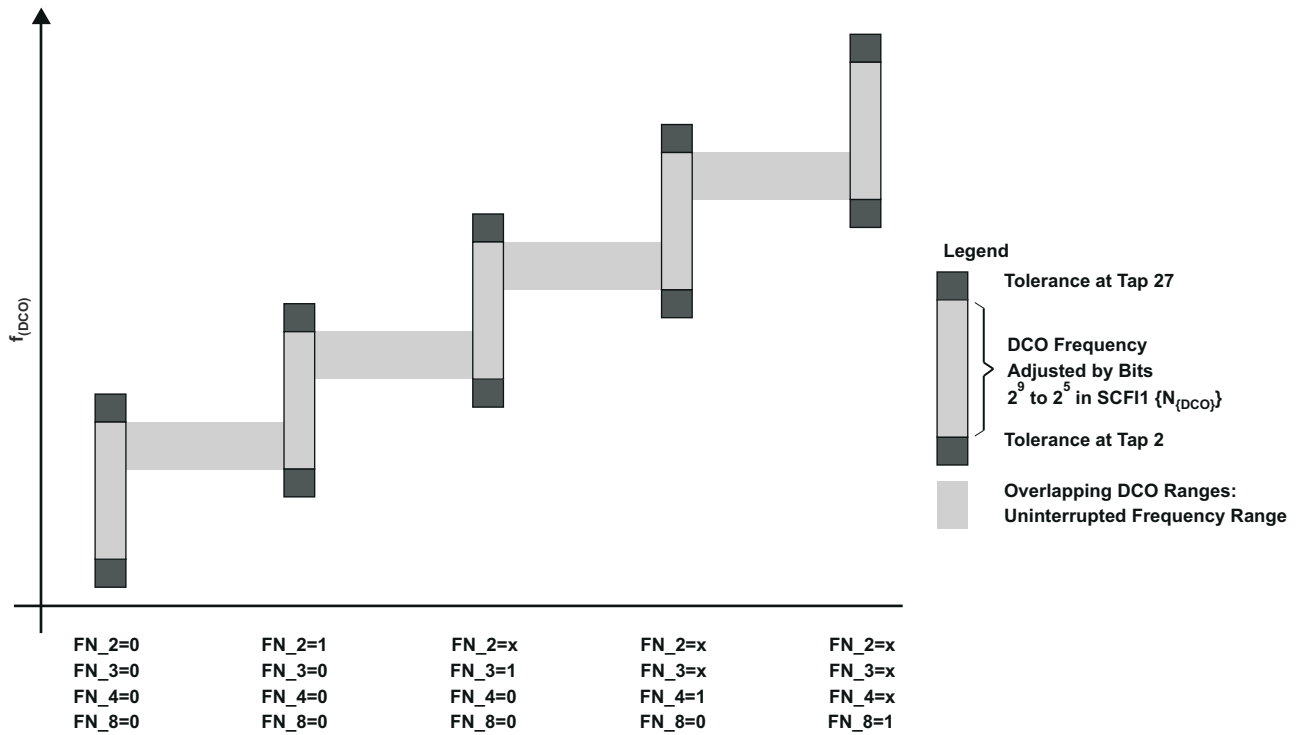


Figure 8-15. DCO Frequency vs Supply Voltage V<sub>CC</sub> and vs Ambient Temperature



**Figure 8-16. DCO Tap Step Size**



**Figure 8-17. Five Overlapping DCO Ranges Controlled by FN\_x Bits**

## 8.19 Crystal Oscillator, XT1 Oscillator

over recommended operating free-air temperature range (unless otherwise noted)

| PARAMETER <sup>(1)</sup> |  | TEST CONDITIONS <sup>(2)</sup>              | MIN                   | TYP                   | MAX | UNIT |
|--------------------------|--|---|-----------------------|-----------------------|-----|------|
| C <sub>XIN</sub>         | Integrated input capacitance <sup>(3)</sup>  | OSCCAPx = 0h, V <sub>CC</sub> = 2.2 V, 3 V  |                       | 0                     |     | pF   |
|                          |  | OSCCAPx = 1h, V <sub>CC</sub> = 2.2 V, 3 V  |                       | 10                    |     |      |
|                          |  | OSCCAPx = 2h, V <sub>CC</sub> = 2.2 V, 3 V  |                       | 14                    |     |      |
|                          |  | OSCCAPx = 3h, V <sub>CC</sub> = 2.2 V, 3 V  |                       | 18                    |     |      |
| C <sub>XOUT</sub>        | Integrated output capacitance <sup>(3)</sup> | OSCCAPx = 0h, V <sub>CC</sub> = 2.2 V, 3 V  |                       | 0                     |     | pF   |
|                          |  | OSCCAPx = 1h, V <sub>CC</sub> = 2.2 V, 3 V  |                       | 10                    |     |      |
|                          |  | OSCCAPx = 2h, V <sub>CC</sub> = 2.2 V, 3 V  |                       | 14                    |     |      |
|                          |  | OSCCAPx = 3h, V <sub>CC</sub> = 2.2 V, 3 V  |                       | 18                    |     |      |
| V <sub>IL</sub>          | Input levels at XIN                          | V <sub>CC</sub> = 2.2 V, 3 V <sup>(4)</sup> | V <sub>SS</sub>       | 0.2 × V <sub>CC</sub> |     | V    |
| V <sub>IH</sub>          |  |   | 0.8 × V <sub>CC</sub> | V <sub>CC</sub>       |     |      |

- (1) The parasitic capacitance from the package and board may be estimated to be 2 pF. The effective load capacitor for the crystal is (C<sub>XIN</sub> × C<sub>XOUT</sub>) / (C<sub>XIN</sub> + C<sub>XOUT</sub>). This is independent of XTS\_FLL.
- (2) To improve EMI on the low-power LFXT1 oscillator, particularly in the LF mode (32 kHz), the following guidelines should be observed.
  - Keep the trace between the device and the crystal as short as possible.
  - Design a good ground plane around the oscillator pins.
  - Prevent crosstalk from other clock or data lines into oscillator pins XIN and XOUT.
  - Avoid running PCB traces underneath or adjacent to the XIN and XOUT pins.
  - Use assembly materials and processes that avoid any parasitic load on the oscillator XIN and XOUT pins.
  - If conformal coating is used, make sure that it does not induce capacitive or resistive leakage between the oscillator pins.
  - Do not route the XOUT line to the JTAG header to support the serial programming adapter as shown in other documentation. This signal is no longer required for the serial programming adapter.
- (3) External capacitance is recommended for precision real-time clock applications, OSCCAPx = 0h.
- (4) Applies only when using an external logic-level clock source. XTS\_FLL must be set. Not applicable when using a crystal or resonator.

## 8.20 Crystal Oscillator, XT2 Oscillator

over recommended operating free-air temperature range (unless otherwise noted)

| PARAMETER <sup>(1)</sup> |                               | TEST CONDITIONS                             | MIN                   | TYP                   | MAX | UNIT |
|--------------------------|-------------------------------|---|-----------------------|-----------------------|-----|------|
| C <sub>XT2IN</sub>       | Integrated input capacitance  | V <sub>CC</sub> = 2.2 V, 3 V                |                       | 2                     |     | pF   |
| C <sub>XT2OUT</sub>      | Integrated output capacitance | V <sub>CC</sub> = 2.2 V, 3 V                |                       | 2                     |     | pF   |
| V <sub>IL</sub>          | Input levels at XT2IN         | V <sub>CC</sub> = 2.2 V, 3 V <sup>(2)</sup> | V <sub>SS</sub>       | 0.2 × V <sub>CC</sub> |     | V    |
| V <sub>IH</sub>          |                               |   | 0.8 × V <sub>CC</sub> | V <sub>CC</sub>       |     | V    |

- (1) The oscillator needs capacitors at both terminals, with values specified by the crystal manufacturer.
- (2) Applies only when using an external logic-level clock source. Not applicable when using a crystal or resonator.

## 8.21 USART0

over recommended operating free-air temperature range (unless otherwise noted)

| PARAMETER <sup>(1)</sup> |                      | TEST CONDITIONS                              | MIN | TYP | MAX | UNIT |
|--------------------------|----------------------|--|-----|-----|-----|------|
| t <sub>(r)</sub>         | USART0 deglitch time | V <sub>CC</sub> = 2.2 V, SYNC = 0, UART mode | 200 | 430 | 800 | ns   |
|                          |                      | V <sub>CC</sub> = 3 V, SYNC = 0, UART mode   | 150 | 280 | 500 |      |

- (1) The signal applied to the USART0 receive signal/terminal (URXD0) should meet the timing requirements of t<sub>(r)</sub> to ensure that the URXS flip-flop is set. The URXS flip-flop is set with negative pulses meeting the minimum timing condition of t<sub>(r)</sub>. The operating conditions to set the flag must be met independently from this timing constraint. The deglitch circuitry is active only on negative transitions on the URXD0 line.

## 8.22 12-Bit ADC, Power Supply and Input Range Conditions

over recommended operating free-air temperature range (unless otherwise noted)

| PARAMETER <sup>(1)</sup> |   | TEST CONDITIONS  | MIN                     | TYP  | MAX        | UNIT     |
|--------------------------|---|--|-------------------------|------|------------|----------|
| $V_{CC}$                 | Analog supply voltage   | $A_{V_{CC}}$ and $DV_{CC}$ are connected together,<br>$A_{V_{SS}}$ and $DV_{SS}$ are connected together,<br>$V_{(AVSS)} = V_{(DVSS)} = 0\text{ V}$ | 2.2                     |      | 3.6        | V        |
| $V_{(P6.x/Ax)}$          | Analog input voltage range <sup>(2)</sup>                         | All external $A_x$ terminals, Analog inputs selected in<br>ADC12MCTLx register and P6Sel.x = 1,<br>$V_{(AVSS)} \leq V_{Ax} \leq V_{(AVCC)}$        | 0                       |      | $V_{AVCC}$ | V        |
| $I_{ADC12}$              | Operating supply current into the<br>AVCC terminal <sup>(3)</sup> | $f_{ADC12CLK} = 5.0\text{ MHz}$ ,<br>ADC12ON = 1, REFON = 0,<br>SHT0 = 0, SHT1 = 0, ADC12DIV = 0   | $V_{CC} = 2.2\text{ V}$ | 0.65 | 1.3        | mA       |
|                          |   |  | $V_{CC} = 3\text{ V}$   | 0.8  | 1.6        |          |
| $I_{REF+}$               | Operating supply current into the<br>AVCC terminal <sup>(4)</sup> | $f_{ADC12CLK} = 5.0\text{ MHz}$ ,<br>ADC12ON = 0,<br>REFON = 1, REF2_5V = 1  | $V_{CC} = 3\text{ V}$   | 0.5  | 0.8        | mA       |
|                          |   |  | $V_{CC} = 2.2\text{ V}$ | 0.5  | 0.8        |          |
| $I_{REF+}$               | Operating supply current into the<br>AVCC terminal <sup>(4)</sup> | $f_{ADC12CLK} = 5.0\text{ MHz}$ ,<br>ADC12ON = 0,<br>REFON = 1, REF2_5V = 0  | $V_{CC} = 2.2\text{ V}$ | 0.5  | 0.8        | mA       |
|                          |   |  | $V_{CC} = 3\text{ V}$   | 0.5  | 0.8        |          |
| $C_I$                    | Input capacitance   | Only one terminal can be selected at one<br>time, $A_x$  |                         |      | 40         | pF       |
| $R_I$                    | Input MUX ON resistance   | $0\text{ V} \leq V_{Ax} \leq V_{AVCC}$   |                         |      | 2000       | $\Omega$ |

- (1) The leakage current is defined in the leakage current table with  $A_x$  parameter.
- (2) The analog input voltage range must be within the selected reference voltage range  $V_{R+}$  to  $V_{R-}$  for valid conversion results.
- (3) The internal reference supply current is not included in current consumption parameter  $I_{ADC12}$ .
- (4) The internal reference current is supplied via terminal AVCC. Consumption is independent of the ADC12ON control bit, unless a conversion is active. The REFON bit enables to settle the built-in reference before starting an A/D conversion.

## 8.23 12-Bit ADC, External Reference

over recommended operating free-air temperature range (unless otherwise noted)

| PARAMETER <sup>(1)</sup>           |  | TEST CONDITIONS                                 | MIN | TYP | MAX                                 | UNIT                 |
|------------------------------------|--|---|-----|-----|-------------------------------------|----------------------|
| $V_{eREF+}$                        | Positive external reference<br>voltage input     | $V_{eREF+} > V_{REF-}/N_{eREF-}$ <sup>(2)</sup> | 1.4 |     | $V_{AVCC}$                          | V                    |
| $V_{REF-}/N_{eREF-}$               | Negative external reference<br>voltage input     | $V_{eREF+} > V_{REF-}/N_{eREF-}$ <sup>(3)</sup> | 0   |     | 1.2                                 | V                    |
| $(V_{eREF+} - V_{REF-}/N_{eREF-})$ | Differential external reference<br>voltage input | $V_{eREF+} > V_{REF-}/N_{eREF-}$ <sup>(4)</sup> | 1.4 |     | $V_{AVCC}$                          | V                    |
| $I_{VeREF+}$                       | Static input current                             | $0\text{ V} \leq V_{eREF+} \leq V_{AVCC}$       |     |     | $V_{CC} = 2.2\text{ V}, 3\text{ V}$ | $\pm 1\ \mu\text{A}$ |
| $I_{VREF-}/N_{eREF-}$              | Static input current                             | $0\text{ V} \leq V_{eREF-} \leq V_{AVCC}$       |     |     | $V_{CC} = 2.2\text{ V}, 3\text{ V}$ | $\pm 1\ \mu\text{A}$ |

- (1) The external reference is used during conversion to charge and discharge the capacitance array. The input capacitance,  $C_I$ , is also the dynamic load for an external reference during conversion. The dynamic impedance of the reference supply should follow the recommendations on analog-source impedance to allow the charge to settle for 12-bit accuracy.
- (2) The accuracy limits the minimum positive external reference voltage. Lower reference voltage levels may be applied with reduced accuracy requirements.
- (3) The accuracy limits the maximum negative external reference voltage. Higher reference voltage levels may be applied with reduced accuracy requirements.
- (4) The accuracy limits minimum external differential reference voltage. Lower differential reference voltage levels may be applied with reduced accuracy requirements.

## 8.24 12-Bit ADC, Built-In Reference

over recommended operating free-air temperature range (unless otherwise noted)

| PARAMETER              | TEST CONDITIONS  | V <sub>CC</sub>  | MIN        | TYP  | MAX | UNIT |        |
|------------------------|--|--|------------|------|-----|------|--------|
| V <sub>REF+</sub>      | Positive built in reference voltage output                                 | REF2_5V = 1 for 2.5 V,<br>I <sub>VREF+max</sub> ≤ I <sub>VREF+</sub> ≤ I <sub>VREF+min</sub>   | 3 V        | 2.4  | 2.5 | 2.6  | V      |
|                        |  | REF2_5V = 0 for 1.5 V,<br>I <sub>VREF+max</sub> ≤ I <sub>VREF+</sub> ≤ I <sub>VREF+min</sub>   | 2.2 V, 3 V | 1.44 | 1.5 | 1.56 |        |
| AV <sub>CC(min)</sub>  | AV <sub>CC</sub> minimum voltage, Positive built in reference active       | REF2_5V = 0,<br>I <sub>VREF+max</sub> ≤ I <sub>VREF+</sub> ≤ I <sub>VREF+min</sub>   |            | 2.2  |     |      | V      |
|                        |  | REF2_5V = 1,<br>I <sub>VREF+min</sub> ≥ I <sub>VREF+</sub> ≥ -0.5 mA   |            | 2.8  |     |      |        |
|                        |  | REF2_5V = 1,<br>I <sub>VREF+min</sub> ≥ I <sub>VREF+</sub> ≥ -1 mA   |            | 2.9  |     |      |        |
| I <sub>VREF+</sub>     | Load current out of V <sub>REF+</sub> terminal                             |  | 2.2 V      | 0.01 |     | -0.5 | mA     |
|                        |  |  | 3 V        | 0.01 |     | -1   |        |
| I <sub>L(VREF+)</sub>  | Load-current regulation, V <sub>REF+</sub> terminal                        | I <sub>VREF+</sub> = 500 μA ± 100 μA,<br>Analog input voltage ≈ 0.75 V,<br>REF2_5V = 0   | 2.2 V      |      |     | ±2   | LSB    |
|                        |  |  | 3 V        |      |     | ±2   |        |
|                        |  | I <sub>VREF+</sub> = 500 μA ± 100 μA,<br>Analog input voltage ≈ 1.25 V,<br>REF2_5V = 1   | 3 V        |      |     | ±2   | LSB    |
| I <sub>DL(VREF+)</sub> | Load current regulation, V <sub>REF+</sub> terminal                        | I <sub>VREF+</sub> = 100 μA → 900 μA,<br>C <sub>VREF+</sub> = 5 μF, a <sub>x</sub> ≈ 0.5 × V <sub>REF+</sub> ,<br>Error of conversion result ≤ 1 LSB | 3 V        |      |     | 20   | ns     |
| C <sub>VREF+</sub>     | Capacitance at pin V <sub>REF+</sub> <sup>(1)</sup>                        | REFON = 1,<br>0 mA ≤ I <sub>VREF+</sub> ≤ I <sub>VREF+max</sub>  | 2.2 V, 3 V | 5    | 10  |      | μF     |
| T <sub>REF+</sub>      | Temperature coefficient of built-in reference                              | I <sub>VREF+</sub> is a constant in the range of<br>0 mA ≤ I <sub>VREF+</sub> ≤ 1 mA   | 2.2 V, 3 V |      |     | ±100 | ppm/°C |
| t <sub>REFON</sub>     | Settle time of internal reference voltage (see Figure 8-18) <sup>(2)</sup> | I <sub>VREF+</sub> = 0.5 mA, C <sub>VREF+</sub> = 10 μF,<br>V <sub>REF+</sub> = 1.5 V, V <sub>AVCC</sub> = 2.2 V                                     |            |      |     | 17   | ms     |

- (1) The internal buffer operational amplifier and the accuracy specifications require an external capacitor. All INL and DNL tests uses two capacitors between pins V<sub>REF+</sub> and AV<sub>SS</sub> and V<sub>REF-</sub>/V<sub>eREF-</sub> and AV<sub>SS</sub>: 10 μF tantalum and 100 nF ceramic.
- (2) The condition is that the error in a conversion started after t<sub>REFON</sub> is less than ±0.5 LSB. The settling time depends on the external capacitive load.

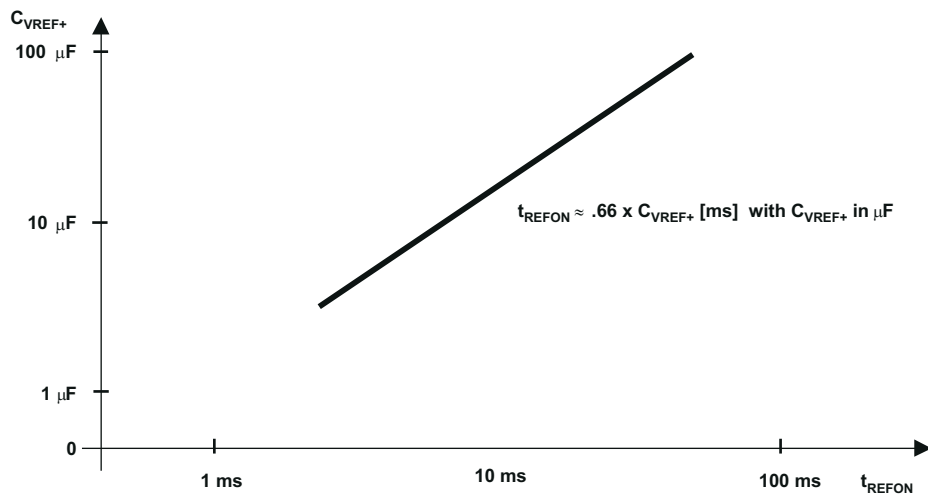
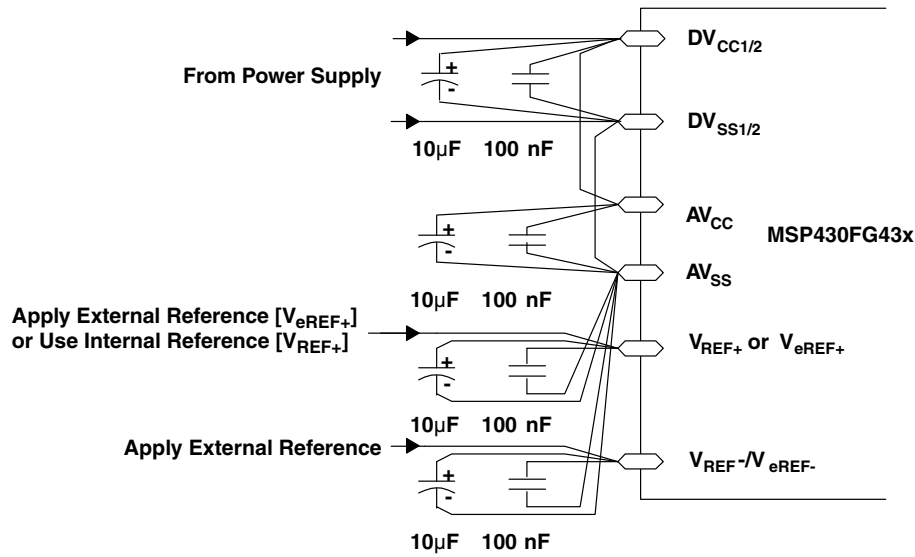
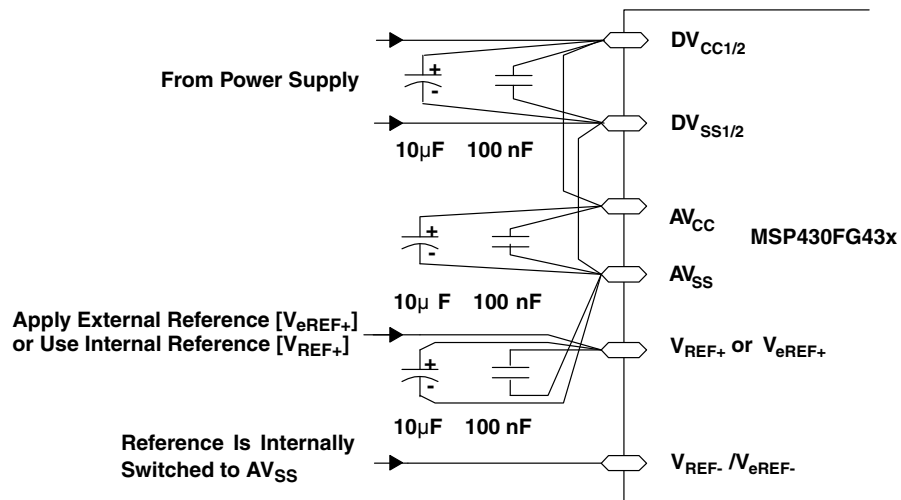


Figure 8-18. Typical Settling Time of Internal Reference t<sub>REFON</sub> vs External Capacitor on V<sub>REF+</sub>



**Figure 8-19. Supply Voltage and Reference Voltage Design  $V_{REF-}/V_{eREF-}$  External Supply**



**Figure 8-20. Supply Voltage and Reference Voltage Design  $V_{REF-}/V_{eREF-} = AV_{SS}$ , Internally Connected**

## 8.25 12-Bit ADC, Timing Parameters

over recommended operating free-air temperature range (unless otherwise noted)

| PARAMETER             |                                  | TEST CONDITIONS  | V <sub>CC</sub> | MIN  | TYP                             | MAX  | UNIT |
|-----------------------|----------------------------------|--|-----------------|------|---------------------------------|------|------|
| f <sub>ADC12CLK</sub> | ADC12 clock frequency            | For specified performance of ADC12 linearity parameters  | 2.2 V, 3 V      | 0.45 | 5                               | 7    | MHz  |
| f <sub>ADC12OSC</sub> | Internal ADC12 oscillator        | ADC12DIV = 0, f <sub>ADC12CLK</sub> = f <sub>ADC12OSC</sub>  | 2.2 V, 3 V      | 3.7  | 5                               | 7    | MHz  |
| t <sub>CONVERT</sub>  | Conversion time                  | C <sub>VREF+</sub> ≥ 5 μF, Internal oscillator, f <sub>ADC12OSC</sub> = 3.7 MHz to 7 MHz   | 2.2 V, 3 V      | 1.86 |                                 | 3.51 | μs   |
|                       |                                  | External f <sub>ADC12CLK</sub> from ACLK, MCLK, or SMCLK, ADC12SSEL ≠ 0  |                 |      | 13 ×<br>1/f <sub>ADC12CLK</sub> |      | μs   |
| t <sub>ADC12ON</sub>  | Turn on settling time of the ADC | See (1)  |                 |      |                                 | 100  | ns   |
| t <sub>Sample</sub>   | Sampling time                    | R <sub>S</sub> = 400 Ω, R <sub>I</sub> = 1000 Ω, C <sub>I</sub> = 30 pF, τ = [R <sub>S</sub> + R <sub>I</sub> ] × C <sub>I</sub> (2) | 3 V             | 1220 |                                 |      | ns   |
|                       |                                  |  | 2.2 V           | 1400 |                                 |      |      |

(1) The condition is that the error in a conversion started after t<sub>ADC12ON</sub> is less than ±0.5 LSB. The reference and input signal are already settled.

(2) Approximately ten Tau (τ) are needed to get an error of less than ±0.5 LSB:

$$t_{\text{sample}} = \ln(2^{n+1}) \times (R_S + R_I) \times C_I + 800 \text{ ns, where } n = \text{ADC resolution} = 12, R_S = \text{external source resistance.}$$

## 8.26 12-Bit ADC, Linearity Parameters

over recommended operating free-air temperature range (unless otherwise noted)

| PARAMETER      |                              | TEST CONDITIONS  | V <sub>CC</sub> | MIN | TYP  | MAX  | UNIT |
|----------------|------------------------------|--|-----------------|-----|------|------|------|
| E <sub>I</sub> | Integral linearity error     | 1.4 V ≤ (V <sub>eREF+</sub> - V <sub>REF-/V<sub>eREF-</sub></sub> ) min ≤ 1.6 V  | 2.2 V, 3 V      |     |      | ±2   | LSB  |
|                |                              | 1.6 V < (V <sub>eREF+</sub> - V <sub>REF-/V<sub>eREF-</sub></sub> ) min ≤ V <sub>AVCC</sub>  |                 |     |      | ±1.7 |      |
| E <sub>D</sub> | Differential linearity error | (V <sub>eREF+</sub> - V <sub>REF-/V<sub>eREF-</sub></sub> ) min ≤ (V <sub>eREF+</sub> - V <sub>REF-/V<sub>eREF-</sub></sub> ), C <sub>VREF+</sub> = 10 μF (tantalum) and 100 nF (ceramic)  | 2.2 V, 3 V      |     |      | ±1   | LSB  |
| E <sub>O</sub> | Offset error                 | (V <sub>eREF+</sub> - V <sub>REF-/V<sub>eREF-</sub></sub> ) min ≤ (V <sub>eREF+</sub> - V <sub>REF-/V<sub>eREF-</sub></sub> ), Internal impedance of source R <sub>S</sub> < 100 Ω, C <sub>VREF+</sub> = 10 μF (tantalum) and 100 nF (ceramic) | 2.2 V, 3 V      |     | ±2   | ±4   | LSB  |
| E <sub>G</sub> | Gain error                   | (V <sub>eREF+</sub> - V <sub>REF-/V<sub>eREF-</sub></sub> ) min ≤ (V <sub>eREF+</sub> - V <sub>REF-/V<sub>eREF-</sub></sub> ), C <sub>VREF+</sub> = 10 μF (tantalum) and 100 nF (ceramic)  | 2.2 V, 3 V      |     | ±1.1 | ±2   | LSB  |
| E <sub>T</sub> | Total unadjusted error       | (V <sub>eREF+</sub> - V <sub>REF-/V<sub>eREF-</sub></sub> ) min ≤ (V <sub>eREF+</sub> - V <sub>REF-/V<sub>eREF-</sub></sub> ), C <sub>VREF+</sub> = 10 μF (tantalum) and 100 nF (ceramic)  | 2.2 V, 3 V      |     | ±2   | ±5   | LSB  |

## 8.27 12-Bit ADC, Temperature Sensor and Built-In $V_{MID}$

over recommended operating free-air temperature range (unless otherwise noted)

| PARAMETER            |  | TEST CONDITIONS   | $V_{CC}$      | MIN  | TYP         | MAX | UNIT           |
|----------------------|--|---|---------------|------|-------------|-----|----------------|
| $I_{SENSOR}$         | Operating supply current into $AV_{CC}$ terminal <sup>(1)</sup>  | REFON = 0, INCH = 0Ah,<br>ADC12ON = NA, $T_A = 25^\circ C$          | 2.2 V         |      | 40          | 120 | $\mu A$        |
|                      |  |   | 3 V           |      | 60          | 160 |                |
| $V_{SENSOR}$         | See (2)  | ADC12ON = 1, INCH = 0Ah,<br>$T_A = 0^\circ C$                       | 2.2 V,<br>3 V |      | 986         |     | mV             |
| $TC_{SENSOR}$        |  | ADC12ON = 1, INCH = 0Ah   | 2.2 V,<br>3 V |      | 3.55 ± 3%   |     | mV/ $^\circ C$ |
| $t_{SENSOR(sample)}$ | Sample time required if<br>channel 10 is selected <sup>(3)</sup> | ADC12ON = 1, INCH = 0Ah,<br>Error of conversion result $\leq 1$ LSB | 2.2 V         | 30   |             |     | $\mu s$        |
|                      |  |   | 3 V           | 30   |             |     |                |
| $I_{VMID}$           | Current into divider at<br>channel 11 <sup>(4)</sup>             | ADC12ON = 1, INCH = 0Bh   | 2.2 V         |      |             | NA  | $\mu A$        |
|                      |  |   | 3 V           |      |             | NA  |                |
| $V_{MID}$            | $AV_{CC}$ divider at channel 11                                  | ADC12ON = 1, INCH = 0Bh,<br>$V_{MID} \approx 0.5 \times V_{AVCC}$   | 2.2 V         | 1.1  | 1.10 ± 0.04 |     | V              |
|                      |  |   | 3 V           | 1.5  | 1.50 ± 0.04 |     |                |
| $t_{VMID(sample)}$   | Sample time required if<br>channel 11 is selected <sup>(5)</sup> | ADC12ON = 1, INCH = 0Bh,<br>Error of conversion result $\leq 1$ LSB | 2.2 V         | 1400 |             |     | ns             |
|                      |  |   | 3 V           | 1220 |             |     |                |

- (1) The sensor current  $I_{SENSOR}$  is consumed if (ADC12ON = 1 and REFON = 1), or (ADC12ON = 1 AND INCH = 0Ah and sample signal is high). When REFON = 1,  $I_{SENSOR}$  is already included in  $I_{REF+}$ .
- (2) The temperature sensor offset can be as much as  $\pm 20^\circ C$ . A single-point calibration is recommended in order to minimize the offset error of the built-in temperature sensor.
- (3) The typical equivalent impedance of the sensor is 51 k $\Omega$ . The sample time required includes the sensor-on time  $t_{SENSOR(on)}$ .
- (4) No additional current is needed. The  $V_{MID}$  is used during sampling.
- (5) The on-time  $t_{VMID(on)}$  is included in the sampling time  $t_{VMID(sample)}$ ; no additional on time is needed.

## 8.28 12-Bit DAC, Supply Specifications

over recommended operating free-air temperature range (unless otherwise noted)

| PARAMETER |  | TEST CONDITIONS   | $V_{CC}$      | MIN | TYP | MAX  | UNIT    |
|-----------|--|---|---------------|-----|-----|------|---------|
| $AV_{CC}$ | Analog supply voltage                                    | $AV_{CC} = DV_{CC}$ , $AV_{SS} = DV_{SS} = 0 V$                                     |               | 2.2 |     | 3.6  | V       |
| $I_{DD}$  | Supply current, single DAC<br>channel <sup>(1) (2)</sup> | DAC12AMPx = 2, DAC12IR = 0,<br>DAC12_xDAT = 0800h                                   | 2.2 V,<br>3 V |     | 50  | 110  | $\mu A$ |
|           |  | DAC12AMPx = 2, DAC12IR = 1,<br>DAC12_xDAT = 0800h, $V_{eREF+} = V_{REF+} = AV_{CC}$ |               |     | 50  | 110  |         |
|           |  | DAC12AMPx = 5, DAC12IR = 1,<br>DAC12_xDAT = 0800h, $V_{eREF+} = V_{REF+} = AV_{CC}$ |               |     | 200 | 440  |         |
|           |  | DAC12AMPx = 7, DAC12IR = 1,<br>DAC12_xDAT = 0800h, $V_{eREF+} = V_{REF+} = AV_{CC}$ |               |     | 700 | 1500 |         |
| PSRR      | Power-supply rejection ratio <sup>(3) (4)</sup>          | DAC12_xDAT = 0800h, $V_{REF} = 1.5 V$ ,<br>$\Delta AV_{CC} = 100 mV$                | 2.2 V         |     | 70  |      | dB      |
|           |  | DAC12_xDAT = 0800h, $V_{REF} = 1.5 V$ or 2.5 V,<br>$\Delta AV_{CC} = 100 mV$        | 3 V           |     |     |      |         |

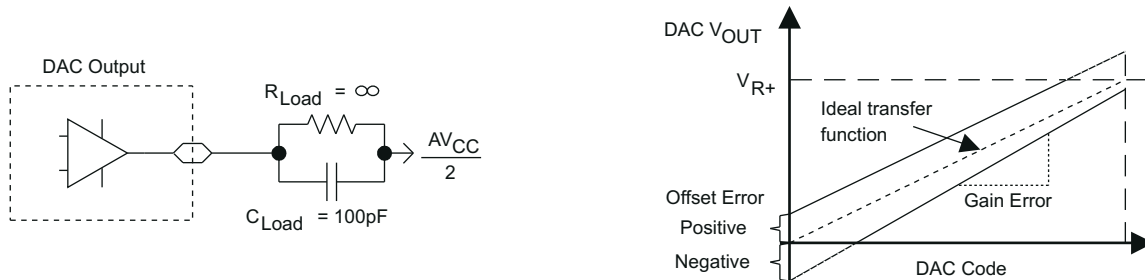
- (1) No load at the output pin, DAC0 or DAC1, assuming that the control bits for the shared pins are set properly.
- (2) Current into reference terminals not included. If DAC12IR = 1, current flows through the input divider (see Reference Input specifications).
- (3)  $PSRR = 20 \times \log(\Delta AV_{CC} / \Delta V_{DAC12\_xOUT})$ .
- (4)  $V_{REF}$  is applied externally. The internal reference is not used.

## 8.29 12-Bit DAC, Linearity Specifications

over recommended operating free-air temperature range (unless otherwise noted) (see [Figure 8-21](#))

| PARAMETER                         |   | TEST CONDITIONS   | V <sub>CC</sub> | MIN  | TYP | MAX           | UNIT |
|-----------------------------------|---|---|-----------------|------|-----|---------------|------|
| Resolution                        |   | 12-bit monotonic  |                 | 12   |     |               | bits |
| INL                               | Integral nonlinearity <sup>(1)</sup>                  | V <sub>ref</sub> = 1.5 V,<br>DAC12AMP <sub>x</sub> = 7, DAC12IR = 1 | 2.2 V           | ±2.0 |     | ±8.0          | LSB  |
|                                   |   | V <sub>ref</sub> = 2.5 V,<br>DAC12AMP <sub>x</sub> = 7, DAC12IR = 1 | 3 V             |      |     |               |      |
| DNL                               | Differential nonlinearity <sup>(1)</sup>              | V <sub>ref</sub> = 1.5 V,<br>DAC12AMP <sub>x</sub> = 7, DAC12IR = 1 | 2.2 V           | ±0.4 |     | ±1.0          | LSB  |
|                                   |   | V <sub>ref</sub> = 2.5 V,<br>DAC12AMP <sub>x</sub> = 7, DAC12IR = 1 | 3 V             |      |     |               |      |
| E <sub>O</sub>                    | Offset voltage without calibration <sup>(1) (2)</sup> | V <sub>ref</sub> = 1.5 V,<br>DAC12AMP <sub>x</sub> = 7, DAC12IR = 1 | 2.2 V           | ±21  |     |               | mV   |
|                                   |   | V <sub>ref</sub> = 2.5 V,<br>DAC12AMP <sub>x</sub> = 7, DAC12IR = 1 | 3 V             |      |     |               |      |
|                                   | Offset voltage with calibration <sup>(1) (2)</sup>    | V <sub>ref</sub> = 1.5 V,<br>DAC12AMP <sub>x</sub> = 7, DAC12IR = 1 | 2.2 V           |      |     |               |      |
|                                   |   | V <sub>ref</sub> = 2.5 V,<br>DAC12AMP <sub>x</sub> = 7, DAC12IR = 1 | 3 V             |      |     |               |      |
| d <sub>E(O)</sub> /d <sub>T</sub> | Offset error temperature coefficient <sup>(1)</sup>   |   | 2.2 V, 3 V      | ±30  |     | μV/°C         |      |
| E <sub>G</sub>                    | Gain error <sup>(1)</sup>                             | V <sub>REF</sub> = 1.5 V  | 2.2 V           | ±3.5 |     | %FSR          |      |
|                                   |   | V <sub>REF</sub> = 2.5 V  | 3 V             |      |     |               |      |
| d <sub>E(G)</sub> /d <sub>T</sub> | Gain temperature coefficient <sup>(1)</sup>           |   | 2.2 V, 3 V      | 10   |     | ppm of FSR/°C |      |
| t <sub>Offset Cal</sub>           | Time for offset calibration <sup>(3)</sup>            | DAC12AMP <sub>x</sub> = 2   | 2.2 V, 3 V      | 100  |     | ms            |      |
|                                   |   | DAC12AMP <sub>x</sub> = 3, 5  |                 | 32   |     |               |      |
|                                   |   | DAC12AMP <sub>x</sub> = 4, 6, 7                                     |                 | 6    |     |               |      |

- (1) Parameters calculated from the best-fit curve from 0x0A to 0xFFF. The best-fit curve method is used to deliver coefficients "a" and "b" of the first-order equation:  $y = a + b \times x$ .  $V_{DAC12\_xOUT} = E_O + (1 + E_G) \times (V_{eREF+} / 4095) \times DAC12\_xDAT$ , DAC12IR = 1.
- (2) The offset calibration works on the output operational amplifier. Offset Calibration is triggered setting bit DAC12CALON.
- (3) The offset calibration can be done if DAC12AMP<sub>x</sub> = {2, 3, 4, 5, 6, 7}. The output operational amplifier is switched off with DAC12AMP<sub>x</sub> = {0, 1}. It is recommended that the DAC12 module be configured prior to initiating calibration. Port activity during calibration may affect accuracy and is not recommended.



**Figure 8-21. Linearity Test Load Conditions and Gain/Offset Definition**

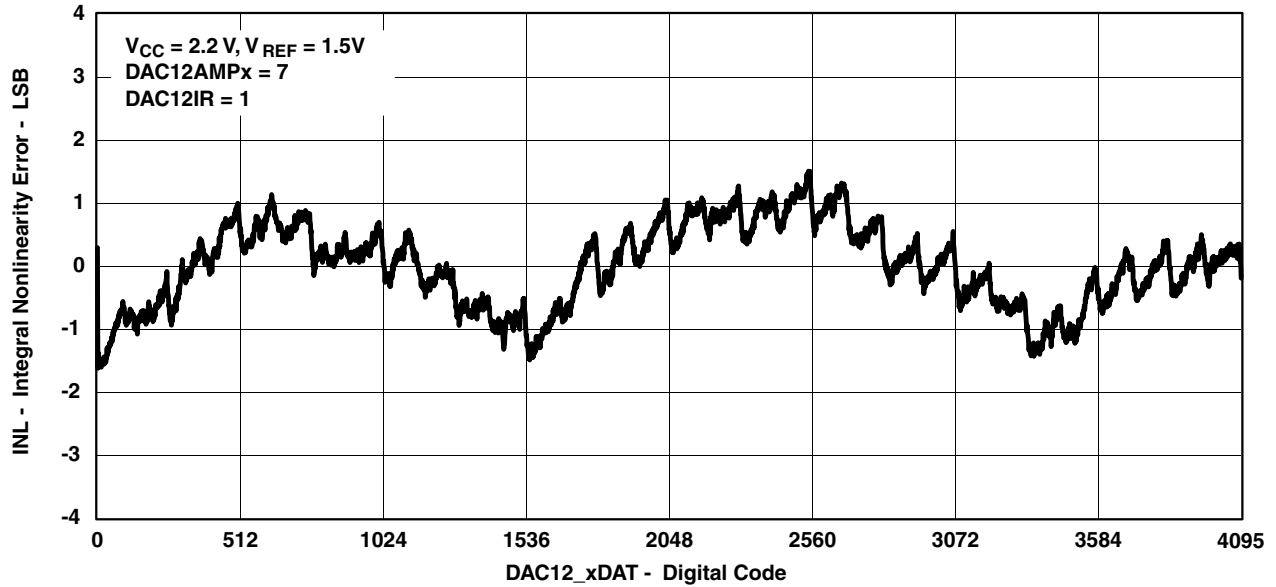


Figure 8-22. Typical INL Error vs Digital Input Data

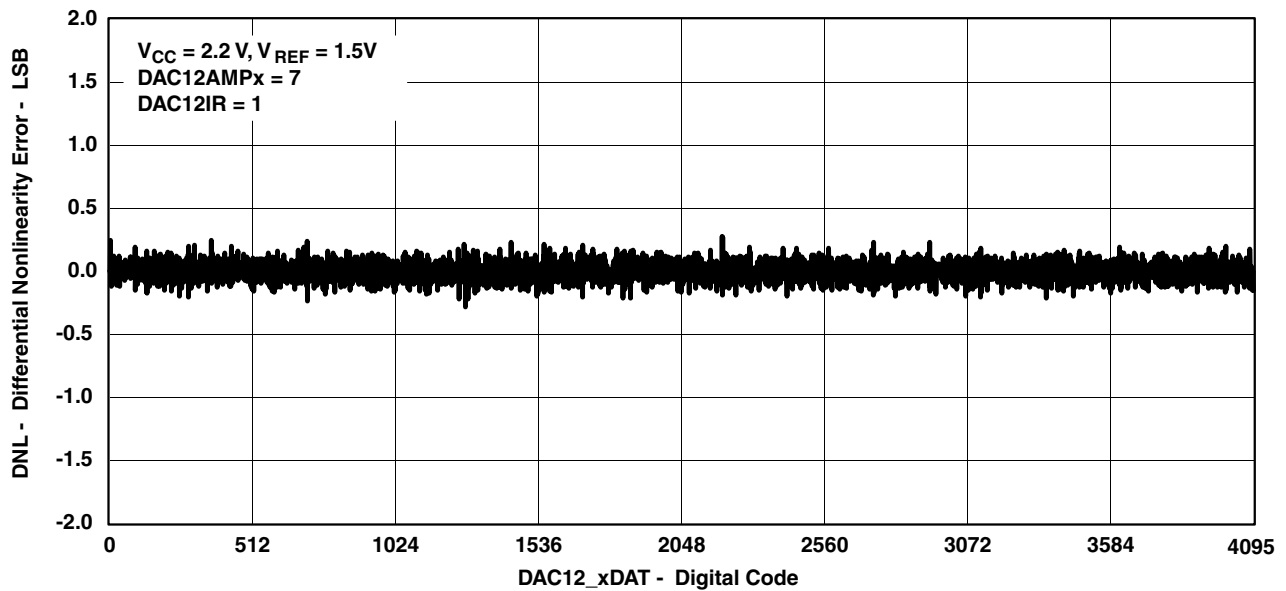


Figure 8-23. Typical DNL Error vs Digital Input Data

### 8.30 12-Bit DAC, Output Specifications

over recommended operating free-air temperature (unless otherwise noted)

| PARAMETER   | TEST CONDITIONS  | V <sub>CC</sub> | MIN   | TYP | MAX              | UNIT |   |
|---|--|-----------------|---|-----|------------------|------|---|
| V <sub>O</sub><br>Output voltage range <sup>(1)</sup> (see Figure 8-24) | No Load, V <sub>eREF+</sub> = AV <sub>CC</sub> ,<br>DAC12_xDAT = 0h, DAC12IR = 1,<br>DAC12AMPx = 7                     | 2.2 V,<br>3 V   | 0   |     | 0.005            | V    |   |
|   | No Load, V <sub>eREF+</sub> = AV <sub>CC</sub> ,<br>DAC12_xDAT = 0FFFh, DAC12IR = 1,<br>DAC12AMPx = 7                  |                 | AV <sub>CC</sub> - 0.05   |     | AV <sub>CC</sub> |      |   |
|   | R <sub>Load</sub> = 3 kΩ, V <sub>eREF+</sub> = AV <sub>CC</sub> ,<br>DAC12_xDAT = 0h, DAC12IR = 1,<br>DAC12AMPx = 7    |                 | 0   |     | 0.1              |      |   |
|   | R <sub>Load</sub> = 3 kΩ, V <sub>eREF+</sub> = AV <sub>CC</sub> ,<br>DAC12_xDAT = 0FFFh, DAC12IR = 1,<br>DAC12AMPx = 7 |                 | AV <sub>CC</sub> - 0.13   |     | AV <sub>CC</sub> |      |   |
| C <sub>L(DAC12)</sub>   | Maximum DAC12 load capacitance   | 2.2 V,<br>3 V   |   |     | 100              | pF   |   |
| I <sub>L(DAC12)</sub>   | Maximum DAC12 load current   | 2.2 V           | -0.5  |     | +0.5             | mA   |   |
|   |  | 3 V             | -1.0  |     | +1.0             |      |   |
| R <sub>O/P(DAC12)</sub>   | Output resistance (see Figure 8-24)  | 2.2 V,<br>3 V   | R <sub>Load</sub> = 3 kΩ, V <sub>O/P(DAC12)</sub> < 0.3 V,<br>DAC12AMPx = 7, DAC12_xDAT = 0h                          |     | 150              | 250  | Ω |
|   |  |                 | R <sub>Load</sub> = 3 kΩ,<br>V <sub>O/P(DAC12)</sub> > AV <sub>CC</sub> - 0.3 V,<br>DAC12AMPx = 7, DAC12_xDAT = 0FFFh |     | 150              | 250  |   |
|   |  |                 | R <sub>Load</sub> = 3 kΩ,<br>0.3 V ≤ V <sub>O/P(DAC12)</sub> ≤ AV <sub>CC</sub> - 0.3 V<br>DAC12AMPx = 7              |     | 1                | 4    |   |

(1) Data is valid after the offset calibration of the output amplifier.

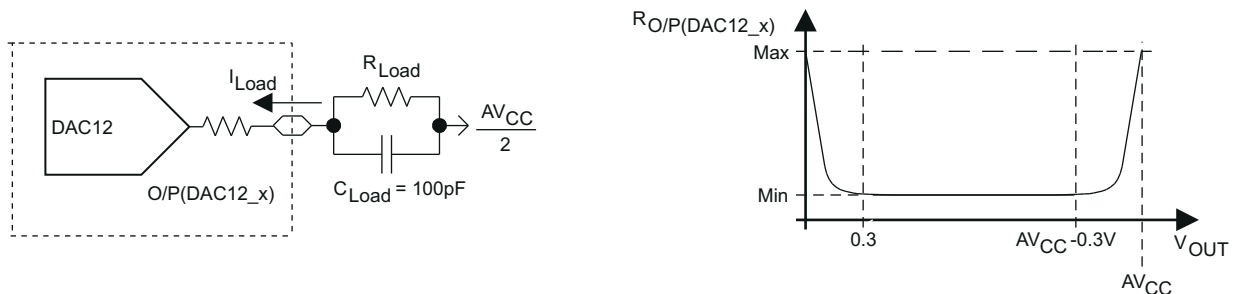


Figure 8-24. DAC12\_x Output Resistance Tests

### 8.31 12-Bit DAC, Reference Input Specifications

over recommended operating free-air temperature range (unless otherwise noted)

| PARAMETER  |                               | TEST CONDITIONS  | V <sub>CC</sub> | MIN                  | TYP | MAX                    | UNIT |
|--|-------------------------------|--|-----------------|----------------------|-----|------------------------|------|
| V <sub>REF+</sub>                                | Reference input voltage range | DAC12IR = 0 <sup>(1)</sup> <sup>(2)</sup>                                    | 2.2 V, 3 V      | AV <sub>CC</sub> / 3 |     | AV <sub>CC</sub> + 0.2 | V    |
|  |                               | DAC12IR = 1 <sup>(3)</sup> <sup>(4)</sup>                                    |                 | AV <sub>CC</sub>     |     | AV <sub>CC</sub> + 0.2 |      |
| R <sub>i(VREF+)</sub> ,<br>R <sub>i(VREF+)</sub> | Reference input resistance    | DAC12_0 IR = DAC12_1 IR = 0  | 2.2 V, 3 V      | 20                   |     |                        | MΩ   |
|  |                               | DAC12_0 IR = 1, DAC12_1 IR = 0   |                 | 40                   | 48  | 150                    | kΩ   |
|  |                               | DAC12_0 IR = 0, DAC12_1 IR = 1   |                 | 40                   | 48  | 150                    |      |
|  |                               | DAC12_0 IR = DAC12_1 IR = 1,<br>DAC12_0 SREFx = DAC12_1 SREFx <sup>(5)</sup> |                 | 20                   | 24  | 75                     |      |

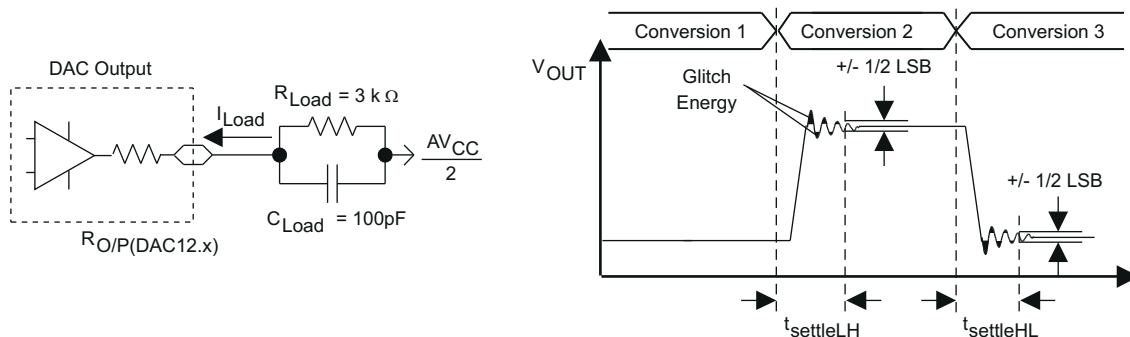
- (1) For a full-scale output, the reference input voltage can be as high as 1/3 of the maximum output voltage swing (AV<sub>CC</sub>).
- (2) The maximum voltage applied at reference input voltage terminal V<sub>REF+</sub> = [AV<sub>CC</sub> - V<sub>E(O)</sub>] / [3 × (1 + E<sub>G</sub>)].
- (3) For a full-scale output, the reference input voltage can be as high as the maximum output voltage swing (AV<sub>CC</sub>).
- (4) The maximum voltage applied at reference input voltage terminal V<sub>REF+</sub> = [AV<sub>CC</sub> - V<sub>E(O)</sub>] / (1 + E<sub>G</sub>).
- (5) When DAC12IR = 1 and DAC12SREFx = 0 or 1 for both channels, the reference input resistive dividers for each DAC are in parallel, reducing the reference input resistance.

### 8.32 12-Bit DAC, Dynamic Specifications

V<sub>ref</sub> = V<sub>CC</sub>, DAC12IR = 1, over recommended operating free-air temperature range (unless otherwise noted) (see Figure 8-25 and Figure 8-26)

| PARAMETER           |                             | TEST CONDITIONS  | V <sub>CC</sub> | MIN                 | TYP  | MAX  | UNIT |
|---------------------|-----------------------------|--|-----------------|---------------------|------|------|------|
| t <sub>ON</sub>     | DAC12 on time               | DAC12_xDAT = 800h,<br>Error <sub>V(O)</sub> < ±0.5 LSB <sup>(1)</sup><br>(see Figure 8-25) | 2.2 V, 3 V      |                     | 60   | 120  | μs   |
|                     |                             | DAC12AMPx = 0 → {2, 3, 4}  |                 |                     | 15   | 30   |      |
|                     |                             | DAC12AMPx = 0 → 7  |                 |                     | 6    | 12   |      |
| t <sub>S(FS)</sub>  | Settling time, full scale   | DAC12_xDAT = 80h → F7Fh → 80h  | 2.2 V, 3 V      | DAC12AMPx = 2       | 100  | 200  | μs   |
|                     |                             |  |                 | DAC12AMPx = 3, 5    | 40   | 80   |      |
|                     |                             |  |                 | DAC12AMPx = 4, 6, 7 | 15   | 30   |      |
| t <sub>S(C-C)</sub> | Settling time, code to code | DAC12_xDAT = 3F8h → 408h → 3F8h<br>BF8h → C08h → BF8h                                      | 2.2 V, 3 V      | DAC12AMPx = 2       | 5    |      | μs   |
|                     |                             |  |                 | DAC12AMPx = 3, 5    | 2    |      |      |
|                     |                             |  |                 | DAC12AMPx = 4, 6, 7 | 1    |      |      |
| SR                  | Slew rate                   | DAC12_xDAT = 80h → F7Fh → 80h <sup>(2)</sup>   | 2.2 V, 3 V      | DAC12AMPx = 2       | 0.05 | 0.12 | V/μs |
|                     |                             |  |                 | DAC12AMPx = 3, 5    | 0.35 | 0.7  |      |
|                     |                             |  |                 | DAC12AMPx = 4, 6, 7 | 1.5  | 2.7  |      |
|                     | Glitch energy, full scale   | DAC12_xDAT = 80h → F7Fh → 80h  | 2.2 V, 3 V      | DAC12AMPx = 2       | 10   |      | nV-s |
|                     |                             |  |                 | DAC12AMPx = 3, 5    | 10   |      |      |
|                     |                             |  |                 | DAC12AMPx = 4, 6, 7 | 10   |      |      |

- (1) R<sub>Load</sub> and C<sub>Load</sub> connected to AV<sub>SS</sub> (not AV<sub>CC</sub>/2) in Figure 8-25.
- (2) Slew rate applies to output voltage steps ≥ 200 mV.



**Figure 8-25. Settling Time and Glitch Energy Testing**

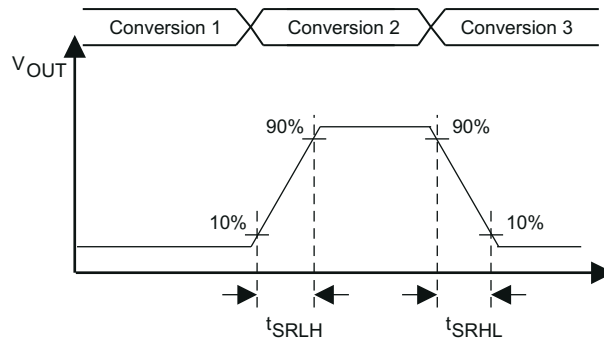


Figure 8-26. Slew Rate Testing

### 8.33 12-Bit DAC, Dynamic Specifications (Continued)

T<sub>A</sub> = 25°C unless otherwise noted

| PARAMETER  | TEST CONDITIONS   | V <sub>CC</sub> | MIN | TYP | MAX | UNIT |
|--|---|-----------------|-----|-----|-----|------|
| BW <sub>-3dB</sub><br>3-dB bandwidth,<br>V <sub>DC</sub> = 1.5 V, V <sub>AC</sub> = 0.1 V <sub>PP</sub><br>(see Figure 8-27) | DAC12AMP <sub>x</sub> = {2, 3, 4}, DAC12SREF <sub>x</sub> = 2,<br>DAC12IR = 1, DAC12_xDAT = 800h  | 2.2 V, 3 V      | 40  |     |     | kHz  |
|  | DAC12AMP <sub>x</sub> = {5, 6}, DAC12SREF <sub>x</sub> = 2,<br>DAC12IR = 1, DAC12_xDAT = 800h   |                 | 180 |     |     |      |
|  | DAC12AMP <sub>x</sub> = 7, DAC12SREF <sub>x</sub> = 2,<br>DAC12IR = 1, DAC12_xDAT = 800h  |                 | 550 |     |     |      |
| Channel-to-channel crosstalk <sup>(1)</sup><br>(see Figure 8-28)   | DAC12_0DAT = 800h, No Load,<br>DAC12_1DAT = 80h ↔ F7Fh, R <sub>Load</sub> = 3 kΩ<br>f <sub>DAC12_1OUT</sub> = 10 kHz with 50/50 duty cycle  | 2.2 V, 3 V      |     | -80 |     | dB   |
|  | DAC12_0DAT = 80h ↔ F7Fh, R <sub>Load</sub> = 3 kΩ,<br>DAC12_1DAT = 800h, No Load,<br>f <sub>DAC12_0OUT</sub> = 10 kHz with 50/50 duty cycle |                 |     | -80 |     |      |

(1) R<sub>LOAD</sub> = 3 kΩ, C<sub>LOAD</sub> = 100 pF

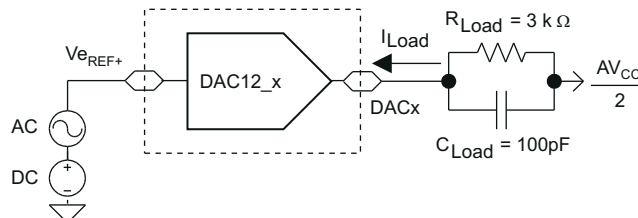


Figure 8-27. Test Conditions for 3-dB Bandwidth Specification

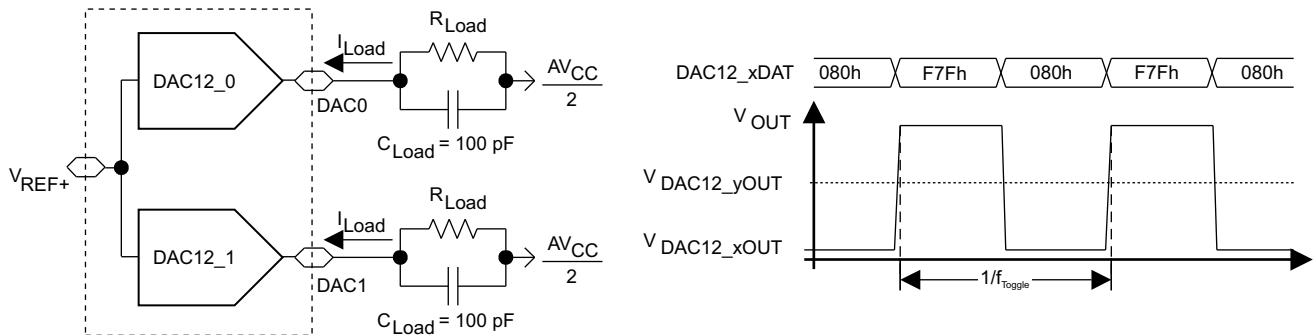


Figure 8-28. Crosstalk Test Conditions

### 8.34 Operational Amplifier (OA), Supply Specifications

over recommended operating free-air temperature range (unless otherwise noted)

| PARAMETER       |                               | TEST CONDITIONS       | V <sub>CC</sub> | MIN | TYP | MAX | UNIT |
|-----------------|-------------------------------|-----------------------|-----------------|-----|-----|-----|------|
| V <sub>CC</sub> | Supply voltage                |                       |                 | 2.2 |     | 3.6 | V    |
| I <sub>CC</sub> | Supply current <sup>(1)</sup> | Fast Mode, RRIP OFF   | 2.2 V, 3 V      |     | 180 | 290 | μA   |
|                 |                               | Medium Mode, RRIP OFF |                 |     | 110 | 190 |      |
|                 |                               | Slow Mode, RRIP OFF   |                 |     | 50  | 80  |      |
|                 |                               | Fast Mode, RRIP ON    |                 |     | 300 | 490 |      |
|                 |                               | Medium Mode, RRIP ON  |                 |     | 190 | 350 |      |
|                 |                               | Slow Mode, RRIP ON    |                 |     | 90  | 190 |      |
| PSRR            | Power supply rejection ratio  | Non-inverting         | 2.2 V, 3 V      |     | 70  |     | dB   |

(1) P6SEL.x = 1 for each corresponding pin when used in OA input or OA output mode.

### 8.35 Operational Amplifier (OA), Input/Output Specifications

over recommended operating free-air temperature range (unless otherwise noted)

| PARAMETER              |  | TEST CONDITIONS  | V <sub>CC</sub> | MIN                          | TYP  | MAX                   | UNIT   |  |
|------------------------|--|--|-----------------|------------------------------|------|-----------------------|--------|--|
| V <sub>I/P</sub>       | Voltage supply, I/P                                | RRIP OFF   |                 | -0.1                         |      | V <sub>CC</sub> - 1.2 | V      |  |
|                        |  | RRIP ON  |                 | -0.1                         |      | V <sub>CC</sub> + 0.1 |        |  |
| I <sub>Ikg</sub>       | Input leakage current, I/P <sup>(1) (2)</sup>      | T <sub>A</sub> = -40°C to +55°C  |                 | -5                           | ±0.5 | 5                     | nA     |  |
|                        |  | T <sub>A</sub> = +55°C to +85°C  |                 | -20                          | ±5   | 20                    |        |  |
| V <sub>n</sub>         | Voltage noise density, I/P                         | Fast Mode  |                 |                              | 50   |                       | nV/√Hz |  |
|                        |  | Medium Mode  |                 | f <sub>V(I/P)</sub> = 1 kHz  |      | 80                    |        |  |
|                        |  | Slow Mode  |                 |                              |      | 140                   |        |  |
|                        |  | Fast Mode  |                 | f <sub>V(I/P)</sub> = 10 kHz |      | 30                    |        |  |
|                        |  | Medium Mode  |                 |                              |      | 50                    |        |  |
|                        |  | Slow Mode  |                 |                              |      | 65                    |        |  |
| V <sub>IO</sub>        | Offset voltage, I/P                                |  | 2.2 V, 3 V      |                              |      | ±10                   | mV     |  |
|                        | Offset temperature drift, I/P                      | See <sup>(3)</sup>   | 2.2 V, 3 V      |                              | ±10  |                       | μV/°C  |  |
|                        | Offset voltage drift with supply, I/P              | 0.3 V ≤ V <sub>IN</sub> ≤ V <sub>CC</sub> - 0.3 V<br>ΔV <sub>CC</sub> ≤ ±10%, T <sub>A</sub> = 25°C                    | 2.2 V, 3 V      |                              |      | ±1.5                  | mV/V   |  |
| V <sub>OH</sub>        | High-level output voltage, O/P                     | Fast Mode, I <sub>SOURCE</sub> ≤ -500 μA   | 2.2 V           | V <sub>CC</sub> - 0.2        |      | V <sub>CC</sub>       | V      |  |
|                        |  | Slow Mode, I <sub>SOURCE</sub> ≤ -150 μA   | 3 V             | V <sub>CC</sub> - 0.1        |      | V <sub>CC</sub>       |        |  |
| V <sub>OL</sub>        | Low-level output voltage, O/P                      | Fast Mode, I <sub>SOURCE</sub> ≤ +500 μA   | 2.2 V           | V <sub>SS</sub>              |      | 0.2                   | V      |  |
|                        |  | Slow Mode, I <sub>SOURCE</sub> ≤ +150 μA   | 3 V             | V <sub>SS</sub>              |      | 0.1                   |        |  |
| R <sub>O/P (OAx)</sub> | Output resistance <sup>(4)</sup> (see Figure 8-29) | R <sub>Load</sub> = 3 kΩ, C <sub>Load</sub> = 50 pF, RRIP ON, V <sub>O/P(OAx)</sub> < 0.2 V                            | 2.2 V, 3 V      |                              | 150  | 250                   | Ω      |  |
|                        |  | R <sub>Load</sub> = 3 kΩ, C <sub>Load</sub> = 50 pF, RRIP ON, V <sub>O/P(OAx)</sub> > AV <sub>CC</sub> - 0.2 V         |                 |                              | 150  | 250                   |        |  |
|                        |  | R <sub>Load</sub> = 3 kΩ, C <sub>Load</sub> = 50 pF, RRIP ON, 0.2 V ≤ V <sub>O/P(OAx)</sub> ≤ AV <sub>CC</sub> - 0.2 V |                 |                              | 0.1  | 4                     |        |  |
| CMRR                   | Common-mode rejection ratio                        | Non-inverting  | 2.2 V, 3 V      |                              | 70   |                       | dB     |  |

- (1) ESD damage can degrade input current leakage.
- (2) The input bias current is overridden by the input leakage current.
- (3) Calculated using the box method.
- (4) Specification valid for voltage-follower OAx configuration.

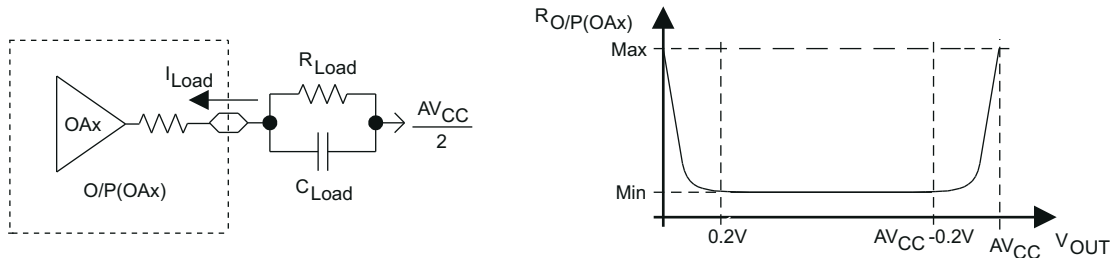


Figure 8-29. OAx Output Resistance Tests

### 8.36 Operational Amplifier (OA), Dynamic Specifications

over recommended operating free-air temperature range (unless otherwise noted)

| PARAMETER            |   | TEST CONDITIONS   | V <sub>CC</sub> | MIN | TYP | MAX | UNIT       |
|----------------------|---|---|-----------------|-----|-----|-----|------------|
| SR                   | Slew rate   | Fast Mode   |                 |     | 1.2 |     | V/ $\mu$ s |
|                      |   | Medium Mode   |                 | 0.8 |     |     |            |
|                      |   | Slow Mode   |                 | 0.3 |     |     |            |
|                      | Open-loop voltage gain                                      |   |                 | 100 |     | dB  |            |
| $\phi_m$             | Phase margin  | C <sub>L</sub> = 50 pF  |                 |     | 60  |     | deg        |
|                      | Gain margin   | C <sub>L</sub> = 50 pF  |                 |     | 20  |     | dB         |
| GBW                  | Gain-bandwidth product<br>(see Figure 8-30 and Figure 8-31) | Non-inverting, Fast Mode,<br>R <sub>L</sub> = 47 k $\Omega$ , C <sub>L</sub> = 50 pF    | 2.2 V, 3 V      |     | 2.2 |     | MHz        |
|                      |   | Non-inverting, Medium Mode,<br>R <sub>L</sub> = 300 k $\Omega$ , C <sub>L</sub> = 50 pF |                 | 1.4 |     |     |            |
|                      |   | Non-inverting, Slow Mode,<br>R <sub>L</sub> = 300 k $\Omega$ , C <sub>L</sub> = 50 pF   |                 | 0.5 |     |     |            |
| t <sub>en(on)</sub>  | Enable time on  | t <sub>on</sub> , non-inverting, Gain = 1   | 2.2 V, 3 V      |     | 10  | 20  | $\mu$ s    |
| t <sub>en(off)</sub> | Enable time off   |   | 2.2 V, 3 V      |     |     | 1   | $\mu$ s    |

### 8.37 OA Dynamic Specifications Typical Characteristics

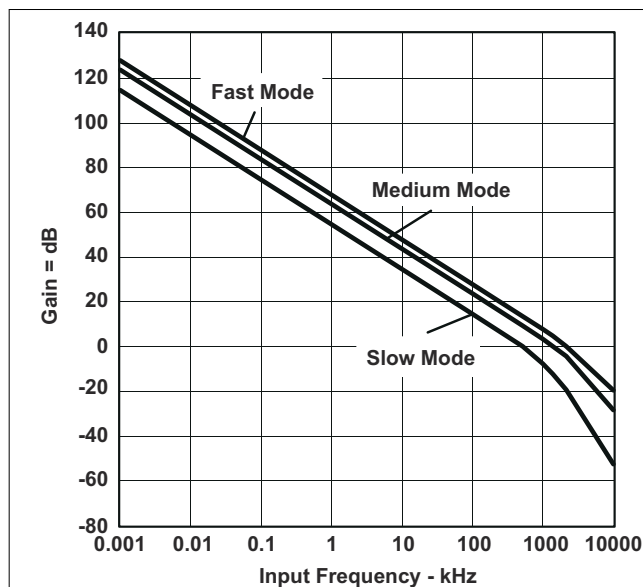


Figure 8-30. Typical Open-Loop Gain vs Frequency

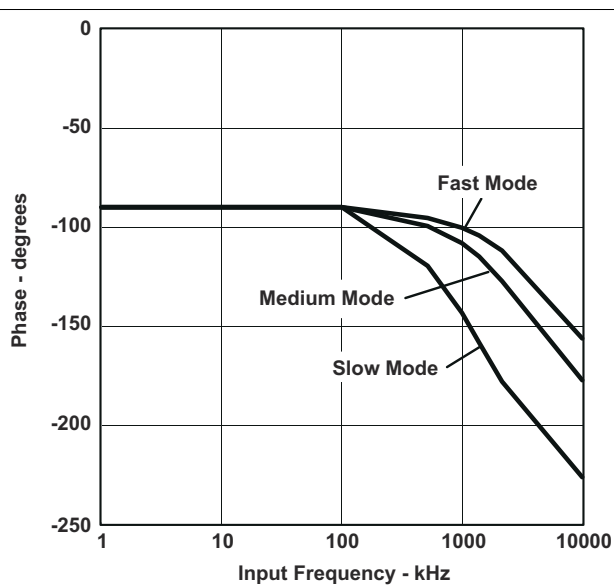


Figure 8-31. Typical Phase vs Frequency

## 8.38 Flash Memory

over recommended operating free-air temperature range (unless otherwise noted)

| PARAMETER                  |   | TEST CONDITIONS       | V <sub>CC</sub> | MIN             | TYP             | MAX | UNIT             |
|----------------------------|---|-----------------------|-----------------|-----------------|-----------------|-----|------------------|
| V <sub>CC(PGM/ERASE)</sub> | Program and erase supply voltage                    |                       |                 | 2.7             |                 | 3.6 | V                |
| f <sub>FTG</sub>           | Flash timing generator frequency                    |                       |                 | 257             |                 | 476 | kHz              |
| I <sub>PGM</sub>           | Supply current from DV <sub>CC</sub> during program |                       | 2.7 V, 3.6 V    |                 | 3               | 5   | mA               |
| I <sub>ERASE</sub>         | Supply current from DV <sub>CC</sub> during erase   |                       | 2.7 V, 3.6 V    |                 | 3               | 7   | mA               |
| t <sub>CPT</sub>           | Cumulative program time                             | See (1)               | 2.7 V, 3.6 V    |                 |                 | 10  | ms               |
| t <sub>CMErase</sub>       | Cumulative mass erase time                          | See (2)               | 2.7 V, 3.6 V    | 200             |                 |     | ms               |
|                            | Program and erase endurance                         |                       |                 | 10 <sup>4</sup> | 10 <sup>5</sup> |     | cycles           |
| t <sub>Retention</sub>     | Data retention duration                             | T <sub>J</sub> = 25°C |                 | 100             |                 |     | years            |
| t <sub>Word</sub>          | Word or byte program time                           | See (3)               |                 |                 | 35              |     | t <sub>FTG</sub> |
| t <sub>Block, 0</sub>      | Block program time for first byte or word           |                       |                 |                 | 30              |     |                  |
| t <sub>Block, 1-63</sub>   | Block program time for each additional byte or word |                       |                 |                 | 21              |     |                  |
| t <sub>Block, End</sub>    | Block program end-sequence wait time                |                       |                 |                 | 6               |     |                  |
| t <sub>Mass Erase</sub>    | Mass erase time                                     |                       |                 |                 | 5297            |     |                  |
| t <sub>Seg Erase</sub>     | Segment erase time                                  |                       |                 |                 | 4819            |     |                  |

- (1) The cumulative program time must not be exceeded when writing to a 64-byte flash block. This parameter applies to all programming methods: individual word or byte write and block write modes.
- (2) The mass erase duration generated by the flash timing generator is at least 11.1 ms ( = 5297 × 1/f<sub>FTG,max</sub> = 5297 × 1 / 476 kHz). To achieve the required cumulative mass erase time the Flash Controller's mass erase operation can be repeated until this time is met. (A worst case minimum of 19 cycles are required).
- (3) These values are hard-wired into the flash controller's state machine (t<sub>FTG</sub> = 1 / f<sub>FTG</sub>).

## 8.39 JTAG Interface

over recommended operating free-air temperature range (unless otherwise noted)

| PARAMETER             |  | TEST CONDITIONS | V <sub>CC</sub> | MIN | TYP | MAX | UNIT |
|-----------------------|--|-----------------|-----------------|-----|-----|-----|------|
| f <sub>TCK</sub>      | TCK input frequency                              | See (1)         | 2.2 V           | 0   |     | 5   | MHz  |
|                       |  |                 | 3 V             | 0   |     | 10  | MHz  |
| R <sub>Internal</sub> | Internal pullup resistance on TMS, TCK, TDI/TCLK | See (2)         | 2.2 V, 3 V      | 25  | 60  | 90  | kΩ   |

- (1) f<sub>TCK</sub> may be restricted to meet the timing requirements of the module selected.
- (2) TMS, TDI/TCLK, and TCK pullup resistors are implemented in all versions.

## 8.40 JTAG Fuse

over recommended operating free-air temperature range (unless otherwise noted)

| PARAMETER <sup>(1)</sup> |   | TEST CONDITIONS       | MIN | MAX | UNIT |
|--------------------------|---|-----------------------|-----|-----|------|
| V <sub>CC(FB)</sub>      | Supply voltage during fuse-blow condition     | T <sub>A</sub> = 25°C | 2.5 |     | V    |
| V <sub>FB</sub>          | Voltage level on TDI/TCLK for fuse-blow       |                       | 6   | 7   | V    |
| I <sub>FB</sub>          | Supply current into TDI/TCLK during fuse blow |                       |     | 100 | mA   |
| t <sub>FB</sub>          | Time to blow fuse                             |                       |     | 1   | ms   |

- (1) After the fuse is blown, no further access to the MSP430 JTAG/Test and emulation features is possible. The JTAG block is switched to bypass mode.

## 9 Detailed Description

### 9.1 CPU

The MSP430 CPU has a 16-bit RISC architecture that is highly transparent to the application. All operations, other than program-flow instructions, are performed as register operations in conjunction with seven addressing modes for source operand and four addressing modes for destination operand.

The CPU is integrated with 16 registers that provide reduced instruction execution time. The register-to-register operation execution time is one cycle of the CPU clock.

Four of the registers, R0 to R3, are dedicated as program counter, stack pointer, status register, and constant generator respectively. The remaining registers are general-purpose registers.

Peripherals are connected to the CPU using data, address, and control buses, and can be handled with all instructions.

|                          |           |
|--------------------------|-----------|
| Program Counter          | PC/R0     |
| Stack Pointer            | SP/R1     |
| Status Register          | SR/CG1/R2 |
| Constant Generator       | CG2/R3    |
| General-Purpose Register | R4        |
| General-Purpose Register | R5        |
| General-Purpose Register | R6        |
| General-Purpose Register | R7        |
| General-Purpose Register | R8        |
| General-Purpose Register | R9        |
| General-Purpose Register | R10       |
| General-Purpose Register | R11       |
| General-Purpose Register | R12       |
| General-Purpose Register | R13       |
| General-Purpose Register | R14       |
| General-Purpose Register | R15       |

## 9.2 Instruction Set

The instruction set consists of the original 51 instructions with three formats and seven address modes and additional instructions for the expanded address range. Each instruction can operate on word and byte data. [Table 9-1](#) shows examples of the three types of instruction formats; [Table 9-2](#) lists the address modes.

**Table 9-1. Instruction Word Formats**

| INSTRUCTION FORMAT                | EXAMPLE   | OPERATION                                 |
|-----------------------------------|-----------|---|
| Dual operands, source-destination | ADD R4,R5 | $R4 + R5 \rightarrow R5$                  |
| Single operands, destination only | CALL R8   | $PC \rightarrow (TOS), R8 \rightarrow PC$ |
| Relative jump, un/conditional     | JNE       | Jump-on-equal bit = 0                     |

**Table 9-2. Address Mode Descriptions**

| ADDRESS MODE           | S <sup>(1)</sup> | D <sup>(1)</sup> | SYNTAX             | EXAMPLE          | OPERATION   |
|------------------------|------------------|------------------|--------------------|------------------|---|
| Register               | ✓                | ✓                | MOV Rs,Rd          | MOV R10,R11      | $R10 \rightarrow R11$                                 |
| Indexed                | ✓                | ✓                | MOV X(Rn),Y(Rm)    | MOV 2(R5),6(R6)  | $M(2+R5) \rightarrow M(6+R6)$                         |
| Symbolic (PC relative) | ✓                | ✓                | MOV EDE,TONI       |                  | $M(EDE) \rightarrow M(TONI)$                          |
| Absolute               | ✓                | ✓                | MOV & MEM, & TCDAT |                  | $M(MEM) \rightarrow M(TCDAT)$                         |
| Indirect               | ✓                |                  | MOV @Rn,Y(Rm)      | MOV @R10,Tab(R6) | $M(R10) \rightarrow M(Tab+R6)$                        |
| Indirect autoincrement | ✓                |                  | MOV @Rn+,Rm        | MOV @R10+,R11    | $M(R10) \rightarrow R11$<br>$R10 + 2 \rightarrow R10$ |
| Immediate              | ✓                |                  | MOV #X,TONI        | MOV #45,TONI     | $\#45 \rightarrow M(TONI)$                            |

(1) S = source D = destination

### 9.3 Operating Modes

The MSP430 has one active mode and five software-selectable low-power modes of operation. An interrupt event can wake up the device from any of the five low-power modes, service the request, and restore back to the low-power mode on return from the interrupt program.

The following six operating modes can be configured by software:

- Active mode (AM)
  - All clocks are active
- Low-power mode 0 (LPM0)
  - CPU is disabled
  - ACLK and SMCLK remain active. MCLK is disabled
  - FLL+ loop control remains active
- Low-power mode 1 (LPM1)
  - CPU is disabled
  - FLL+ loop control is disabled
  - ACLK and SMCLK remain active. MCLK is disabled
- Low-power mode 2 (LPM2)
  - CPU is disabled
  - MCLK, FLL+ loop control and DCOCLK are disabled
  - DCO's dc-generator remains enabled
  - ACLK remains active
- Low-power mode 3 (LPM3)
  - CPU is disabled
  - MCLK, FLL+ loop control, and DCOCLK are disabled
  - DCO's dc-generator is disabled
  - ACLK remains active
- Low-power mode 4 (LPM4)
  - CPU is disabled
  - ACLK is disabled
  - MCLK, FLL+ loop control, and DCOCLK are disabled
  - DCO's dc-generator is disabled
  - Crystal oscillator is stopped

## 9.4 Interrupt Vector Addresses

The interrupt vectors and the power-up start address are located in the address range 0FFFFh to 0FFC0h. The vector contains the 16-bit address of the appropriate interrupt-handler instruction sequence.

**Table 9-3. Interrupt Sources, Flags, and Vectors of MSP430FG43x Configurations**

| INTERRUPT SOURCE   | INTERRUPT FLAG  | SYSTEM INTERRUPT   | WORD ADDRESS | PRIORITY    |
|--|---|--|--------------|-------------|
| Power-Up<br>External Reset<br>Watchdog<br>Flash Memory   | WDTIFG<br>KEYV <sup>(1)</sup>   | Reset  | 0FFFEh       | 15, highest |
| NMI<br>Oscillator Fault<br>Flash Memory Access Violation | NMIIFG <sup>(1)</sup><br>OFIFG <sup>(1)</sup><br>ACCVIFG <sup>(1)</sup> | (Non)maskable <sup>(2)</sup><br>(Non)maskable<br>(Non)maskable | 0FFFCCh      | 14          |
| Timer_B3   | TBCCR0 CCIFG0 <sup>(3)</sup>  | Maskable   | 0FFFAh       | 13          |
| Timer_B3   | TBCCR1 CCIFG1 and TBCCR2 CCIFG2,<br>TBIFG <sup>(1) (3)</sup>            | Maskable   | 0FFF8h       | 12          |
| Comparator_A   | CAIFG   | Maskable   | 0FFF6h       | 11          |
| Watchdog Timer   | WDTIFG  | Maskable   | 0FFF4h       | 10          |
| USART0 Receive   | URXIFG0   | Maskable   | 0FFF2h       | 9           |
| USART0 Transmit  | UTXIFG0   | Maskable   | 0FFF0h       | 8           |
| ADC12  | ADC12IFG <sup>(1) (3)</sup>   | Maskable   | 0FFEEh       | 7           |
| Timer_A3   | TACCR0 CCIFG0 <sup>(3)</sup>  | Maskable   | 0FFECCh      | 6           |
| Timer_A3   | TACCR1 CCIFG1 and TACCR2 CCIFG2, TAIFG <sup>(1)</sup><br><sup>(3)</sup> | Maskable   | 0FFEAh       | 5           |
| I/O Port P1 (Eight Flags)                                | P1IFG.0 to P1IFG.7 <sup>(1) (3)</sup>                                   | Maskable   | 0FFE8h       | 4           |
| DAC12 DMA  | DAC12.0IFG, DAC12.1IFG, DMA0IFG <sup>(1) (3)</sup>                      | Maskable   | 0FFE6h       | 3           |
|  |   |  | 0FFE4h       | 2           |
| I/O Port P2 (Eight Flags)                                | P2IFG.0 to P2IFG.7 <sup>(1) (3)</sup>                                   | Maskable   | 0FFE2h       | 1           |
| Basic Timer1   | BTIFG   | Maskable   | 0FFE0h       | 0, lowest   |

(1) Multiple source flags

(2) (Non)maskable: the individual interrupt-enable bit can disable an interrupt event, but the general-interrupt enable cannot disable it.

(3) Interrupt flags are located in the module.

## 9.5 Special Function Registers (SFRs)

The MSP430 SFRs are located in the lowest address space and are organized as byte-mode registers. SFRs should be accessed with byte instructions.

### Legend

- rw Bit can be read and written.
- rw-0, rw-1 Bit can be read and written. It is Reset or Set by PUC.
- rw-(0), rw-1 Bit can be read and written. It is Reset or Set by POR.
- SFR bit is not present in device.

### 9.5.1 Interrupt Enable Registers 1 and 2

**Figure 9-1. Interrupt Enable Register 1 (Address = 0h)**

| 7      | 6      | 5      | 4     | 3  | 2  | 1    | 0     |
|--------|--------|--------|-------|--|--|------|-------|
| UTXIE0 | URXIE0 | ACCVIE | NMIIE | <span style="background-color: #cccccc; display: inline-block; width: 1em; height: 1em;"></span> | <span style="background-color: #cccccc; display: inline-block; width: 1em; height: 1em;"></span> | OFIE | WDTIE |
| rw-0   | rw-0   | rw-0   | rw-0  |  |  | rw-0 | rw-0  |

**Table 9-4. Interrupt Enable Register 1 Field Descriptions**

| BIT | FIELD  | TYPE | RESET | DESCRIPTION  |
|-----|--------|------|-------|--|
| 7   | UTXIE0 | RW   | 0h    | USART0: UART and SPI transmit-interrupt enable   |
| 6   | URXIE0 | RW   | 0h    | USART0: UART and SPI receive-interrupt enable  |
| 5   | ACCVIE | RW   | 0h    | Flash access violation interrupt enable  |
| 4   | NMIIE  | RW   | 0h    | Nonmaskable-interrupt enable   |
| 1   | OFIE   | RW   | 0h    | Oscillator-fault-interrupt enable  |
| 0   | WDTIE  | RW   | 0h    | Watchdog-timer interrupt enable. Inactive if watchdog mode is selected. Active if watchdog timer is configured as a general-purpose timer. |

**Figure 9-2. Interrupt Enable Register 2 (Address = 1h)**

| 7    | 6  | 5  | 4  | 3  | 2  | 1  | 0  |
|------|--|--|--|--|--|--|--|
| BTIE | <span style="background-color: #cccccc; display: inline-block; width: 1em; height: 1em;"></span> | <span style="background-color: #cccccc; display: inline-block; width: 1em; height: 1em;"></span> | <span style="background-color: #cccccc; display: inline-block; width: 1em; height: 1em;"></span> | <span style="background-color: #cccccc; display: inline-block; width: 1em; height: 1em;"></span> | <span style="background-color: #cccccc; display: inline-block; width: 1em; height: 1em;"></span> | <span style="background-color: #cccccc; display: inline-block; width: 1em; height: 1em;"></span> | <span style="background-color: #cccccc; display: inline-block; width: 1em; height: 1em;"></span> |
| rw-0 |  |  |  |  |  |  |  |

**Table 9-5. Interrupt Enable Register 2 Field Descriptions**

| BIT | FIELD | TYPE | RESET | DESCRIPTION                  |
|-----|-------|------|-------|------------------------------|
| 7   | BTIE  | RW   | 0h    | Basic timer interrupt enable |

## 9.5.2 Interrupt Flag Registers 1 and 2

**Figure 9-3. Interrupt Flag Register 1 (Address = 2h)**

| 7       | 6       | 5 | 4      | 3 | 2 | 1     | 0      |
|---------|---------|---|--------|---|---|-------|--------|
| UTXIFG0 | URXIFG0 |   | NMIIFG |   |   | OFIFG | WDTIFG |
| rw-1    | rw-0    |   | rw-0   |   |   | rw-1  | rw-(0) |

**Table 9-6. Interrupt Flag Register 1 Field Descriptions**

| BIT | FIELD   | TYPE | RESET | DESCRIPTION   |
|-----|---------|------|-------|---|
| 7   | UTXIFG0 | RW   | 1h    | USART0: UART and SPI transmit flag  |
| 6   | URXIFG0 | RW   | 0h    | USART0: UART and SPI receive flag   |
| 4   | NMIIFG  | RW   | 0h    | Set by $\overline{RST}$ /NMI pin  |
| 1   | OFIFG   | RW   | 1h    | Flag set on oscillator fault  |
| 0   | WDTIFG  | RW   | 0h    | Set on watchdog timer overflow (in watchdog mode) or security key violation<br>Reset on $V_{CC}$ power-on or a reset condition at the $\overline{RST}$ /NMI pin in reset mode |

**Figure 9-4. Interrupt Flag Register 2 (Address = 3h)**

| 7     | 6 | 5 | 4 | 3 | 2 | 1 | 0 |
|-------|---|---|---|---|---|---|---|
| BTIFG |   |   |   |   |   |   |   |
| rw-0  |   |   |   |   |   |   |   |

**Table 9-7. Interrupt Flag Register 2 Field Descriptions**

| BIT | FIELD | TYPE | RESET | DESCRIPTION      |
|-----|-------|------|-------|------------------|
| 7   | BTIFG | RW   | 0h    | Basic timer flag |

## 9.5.3 Module Enable Registers 1 and 2

**Figure 9-5. Module Enable Register 1 (Address = 4h)**

| 7     | 6               | 5 | 4 | 3 | 2 | 1 | 0 |
|-------|-----------------|---|---|---|---|---|---|
| UTXE0 | URXE0<br>USPIE0 |   |   |   |   |   |   |
| rw-0  | rw-0            |   |   |   |   |   |   |

**Table 9-8. Module Enable Register 1 Field Descriptions**

| BIT | FIELD  | TYPE | RESET | DESCRIPTION                                  |
|-----|--------|------|-------|--|
| 7   | UTXE0  | RW   | 0h    | USART0: UART mode transmit enable            |
| 6   | URXE0  | RW   | 0h    | USART0: UART mode receive enable             |
|     | USPIE0 | RW   | 0h    | USART0: SPI mode transmit and receive enable |

**Figure 9-6. Module Enable Register 2 (Address = 5h)**

| 7 | 6 | 5 | 4 | 3 | 2 | 1 | 0 |
|---|---|---|---|---|---|---|---|
|   |   |   |   |   |   |   |   |

## 9.6 Memory Organization

Table 9-9 shows the memory organization for all device variants.

**Table 9-9. Memory Organization**

|                        |           | <b>MSP430FG437</b> | <b>MSP430FG438</b> | <b>MSP430FG439</b> |
|------------------------|-----------|--------------------|--------------------|--------------------|
| Memory                 | Size      | 32KB               | 48KB               | 60KB               |
| Main: interrupt vector | Flash     | 0FFFFh-0FFE0h      | 0FFFFh-0FFE0h      | 0FFFFh-0FFE0h      |
| Main: code memory      | Flash     | 0FFFFh-08000h      | 0FFFFh-04000h      | 0FFFFh-01100h      |
| Information memory     | Size      | 256 Byte           | 256 Byte           | 256 Byte           |
|                        | Flash     | 010FFh-01000h      | 010FFh-01000h      | 010FFh-01000h      |
| Boot memory            | Size      | 1KB                | 1KB                | 1KB                |
|                        | ROM       | 0FFFh-0C00h        | 0FFFh-0C00h        | 0FFFh-0C00h        |
| RAM                    | Size      | 1KB                | 2KB                | 2KB                |
|                        |           | 05FFh-0200h        | 09FFh-0200h        | 09FFh-0200h        |
| Peripherals            | 16-bit    | 01FFh-0100h        | 01FFh-0100h        | 01FFh-0100h        |
|                        | 8-bit     | 0FFh-010h          | 0FFh-010h          | 0FFh-010h          |
|                        | 8-bit SFR | 0Fh-00h            | 0Fh-00h            | 0Fh-00h            |

### 9.7 Bootstrap Loader (BSL)

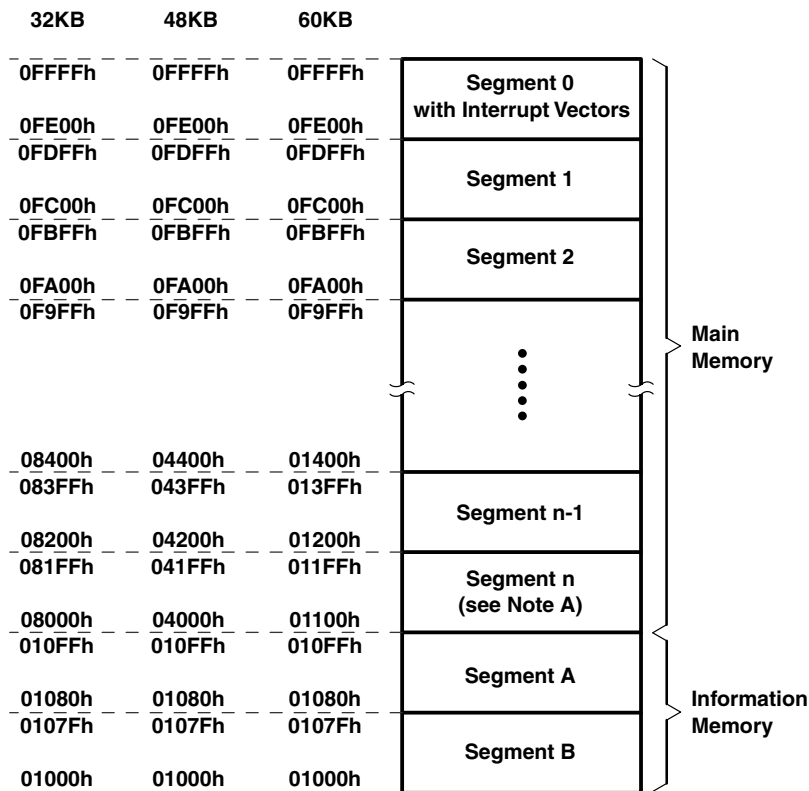
The MSP430 bootstrap loader (BSL) enables users to program the flash memory or RAM using a UART serial interface. Access to the MSP430 memory via the BSL is protected by user-defined password. For complete description of the features of the BSL and its implementation, see *MSP430 Programming Via the Bootstrap Loader (BSL)* (SLAU319).

| BSL FUNCTION  | PN PACKAGE PINS | ZCA PACKAGE PINS |
|---------------|-----------------|------------------|
| Data Transmit | 67 – P1.0       | D8 – P1.0        |
| Data Receiver | 66 – P1.1       | D9 – P1.1        |

### 9.8 Flash Memory

The flash memory can be programmed via the JTAG port, the bootstrap loader, or in system by the CPU. The CPU can perform single-byte and single-word writes to the flash memory. Features of the flash memory include:

- Flash memory has n segments of main memory and two segments of information memory (A and B) of 128 bytes each. Each segment in main memory is 512 bytes in size.
- Segments 0 to n may be erased in one step, or each segment may be individually erased.
- Segments A and B can be erased individually, or as a group with segments 0 to n. Segments A and B are also called information memory.
- New devices may have some bytes programmed in the information memory (needed for test during manufacturing). The user should perform an erase of the information memory prior to the first use.



A. MSP430FG43x flash segment n = 256 bytes.

**Figure 9-7. Flash Memory Segments**

## 9.9 Peripherals

Peripherals are connected to the CPU through data, address, and control buses and can be handled using all instructions. For complete module descriptions, see the *MSP430x4xx Family User's Guide* (SLAU056).

### 9.9.1 DMA Controller

The DMA controller allows movement of data from one memory address to another without CPU intervention. For example, the DMA controller can be used to move data from the ADC12 conversion memory to RAM. Using the DMA controller can increase the throughput of peripheral modules. The DMA controller reduces system power consumption by allowing the CPU to remain in sleep mode without having to awaken to move data to or from a peripheral.

### 9.9.2 Oscillator and System Clock

The clock system in the MSP430FG43x family of devices is supported by the FLL+ module, which includes support for a 32768-Hz watch crystal oscillator, an internal digitally-controlled oscillator (DCO), and a high frequency crystal oscillator. The FLL+ clock module is designed to meet the requirements of both low system cost and low power consumption. The FLL+ features digital frequency locked loop (FLL) hardware that, in conjunction with a digital modulator, stabilizes the DCO frequency to a programmable multiple of the watch crystal frequency. The internal DCO provides a fast turn-on clock source and stabilizes in less than 6  $\mu$ s. The FLL+ module provides the following clock signals:

- Auxiliary clock (ACLK), sourced from a 32768-Hz watch crystal or a high-frequency crystal
- Main clock (MCLK), the system clock used by the CPU
- Sub-Main clock (SMCLK), the subsystem clock used by the peripheral modules
- ACLK/n, the buffered output of ACLK, ACLK/2, ACLK/4, or ACLK/8

### 9.9.3 Brownout, Supply Voltage Supervisor

The brownout circuit is implemented to provide the proper internal reset signal to the device during power-on and power-off. The supply voltage supervisor (SVS) circuitry detects if the supply voltage drops below a user selectable level and supports both supply voltage supervision (the device is automatically reset) and supply voltage monitoring (the device is not automatically reset).

The CPU begins code execution after the brownout circuit releases the device reset. However,  $V_{CC}$  may not have ramped to  $V_{CC(min)}$  at that time. The user must make sure that the default FLL+ settings are not changed until  $V_{CC}$  reaches  $V_{CC(min)}$ . If desired, the SVS circuit can be used to determine when  $V_{CC}$  reaches  $V_{CC(min)}$ .

### 9.9.4 Digital I/O

There are six 8-bit I/O ports implemented—ports P1 through P6:

- All individual I/O bits are independently programmable.
- Any combination of input, output, and interrupt conditions is possible.
- Edge-selectable interrupt input capability for all the eight bits of ports P1 and P2.
- Read and write access to port-control registers is supported by all instructions

### 9.9.5 Basic Timer1

The Basic Timer1 has two independent 8-bit timers that can be cascaded to form a 16-bit timer/counter. Both timers can be read and written by software. The Basic Timer1 can be used to generate periodic interrupts and clock for the LCD module.

### 9.9.6 LCD Drive

The LCD driver generates the segment and common signals required to drive an LCD display. The LCD controller has dedicated data memory to hold segment drive information. Common and segment signals are generated as defined by the mode. Static, 2-MUX, 3-MUX, and 4-MUX LCDs are supported by this peripheral.

### 9.9.7 OA

The MSP430FG43x has three configurable low-current general-purpose operational amplifiers. Each OA input and output terminal is software-selectable and offers a flexible choice of connections for various applications. The OA op amps primarily support front-end analog signal conditioning prior to analog-to-digital conversion.

### 9.9.8 Watchdog Timer (WDT)

The primary function of the WDT module is to perform a controlled system restart after a software problem occurs. If the selected time interval expires, a system reset is generated. If the watchdog function is not needed in an application, the module can be configured as an interval timer and can generate interrupts at selected time intervals.

### 9.9.9 USART0

The MSP430FG43x has one hardware universal synchronous/asynchronous receive transmit (USART) peripheral module that is used for serial data communication. The USART supports synchronous SPI (3 or 4 pin) and asynchronous UART communication protocols, using double-buffered transmit and receive channels.

### 9.9.10 Timer\_A3

Timer\_A3 is a 16-bit timer/counter with three capture/compare registers. Timer\_A3 can support multiple capture/compares, PWM outputs, and interval timing. Timer\_A3 also has extensive interrupt capabilities. Interrupts may be generated from the counter on overflow conditions and from each of the capture/compare registers.

**Table 9-10. Timer\_A3 Signal Connections**

| INPUT PIN NUMBER |           | DEVICE INPUT SIGNAL | MODULE INPUT NAME | MODULE BLOCK | MODULE OUTPUT SIGNAL | OUTPUT PIN NUMBER |            |
|------------------|-----------|---------------------|-------------------|--------------|----------------------|-------------------|------------|
| ZCA              | PN        |                     |                   |              |                      | PN                | ZCA        |
| B10 - P1.5       | 62 - P1.5 | TACLK               | TACLK             |              |                      |                   |            |
|                  |           | ACLK                | ACLK              |              |                      |                   |            |
|                  |           | SMCLK               | SMCLK             | Timer        | NA                   |                   |            |
| B10 - P1.5       | 62 - P1.5 | TACLK               | INCLK             |              |                      |                   |            |
| D8 - P1.0        | 67 - P1.0 | TA0                 | CCI0A             |              |                      | 67 - P1.0         | D8 - P1.0  |
| D9 - P1.1        | 66 - P1.1 | TA0                 | CCI0B             |              |                      |                   |            |
|                  |           | DVSS                | GND               | CCR0         | TA0                  |                   |            |
|                  |           | DVCC                | VCC               |              |                      |                   |            |
| B9 - P1.2        | 65 - P1.2 | TA1                 | CCI1A             |              |                      | 65 - P1.2         | B9 - P1.2  |
|                  |           | CAOUT (internal)    | CCI1B             |              |                      | ADC12 (internal)  |            |
|                  |           | DVSS                | GND               | CCR1         | TA1                  |                   |            |
|                  |           | DVCC                | VCC               |              |                      |                   |            |
| C11 - P2.0       | 59 - P2.0 | TA2                 | CCI2A             |              |                      | 59 - P2.0         | C11 - P2.0 |
|                  |           | ACLK (internal)     | CCI2B             |              |                      |                   |            |
|                  |           | DVSS                | GND               | CCR2         | TA2                  |                   |            |
|                  |           | DVCC                | VCC               |              |                      |                   |            |

### 9.9.11 Timer\_B3

Timer\_B3 is a 16-bit timer/counter with three capture/compare registers. Timer\_B3 can support multiple capture/compares, PWM outputs, and interval timing. Timer\_B3 also has extensive interrupt capabilities. Interrupts may be generated from the counter on overflow conditions and from each of the capture/compare registers.

**Table 9-11. Timer\_B3 Signal Connections**

| INPUT PIN NUMBER |           | DEVICE INPUT SIGNAL | MODULE INPUT NAME | MODULE BLOCK | MODULE OUTPUT SIGNAL | OUTPUT PIN NUMBER |            |
|------------------|-----------|---------------------|-------------------|--------------|----------------------|-------------------|------------|
| ZCA              | PN        |                     |                   |              |                      | PN                | ZCA        |
| E9 - P1.4        | 63 - P1.4 | TBCLK               | TBCLK             |              |                      |                   |            |
|                  |           | ACLK                | ACLK              |              |                      |                   |            |
|                  |           | SMCLK               | SMCLK             | Timer        | NA                   |                   |            |
| E9 - P1.4        | 63 - P1.4 | TBCLK               | INCLK             |              |                      |                   |            |
| D11 - P2.1       | 58 - P2.1 | TB0                 | CCI0A             |              |                      | 58 - P2.1         | D11 - P2.1 |
| D11 - P2.1       | 58 - P2.1 | TB0                 | CCI0B             |              |                      | ADC12 (internal)  |            |
|                  |           | DVSS                | GND               | CCR0         | TB0                  |                   |            |
|                  |           | DVCC                | VCC               |              |                      |                   |            |
| E11 - P2.2       | 57 - P2.2 | TB1                 | CCI1A             |              |                      | 57 - P2.2         | E11 - P2.2 |
| E11 - P2.2       | 57 - P2.2 | TB1                 | CCI1B             |              |                      | ADC12 (internal)  |            |
|                  |           | DVSS                | GND               | CCR1         | TB1                  |                   |            |
|                  |           | DVCC                | VCC               |              |                      |                   |            |
| F11 - P2.3       | 56 - P2.3 | TB2                 | CCI2A             |              |                      | 56 - P2.3         | F11 - P2.3 |
| F11 - P2.3       | 56 - P2.3 | TB2                 | CCI2B             |              |                      |                   |            |
|                  |           | DVSS                | GND               | CCR2         | TB2                  |                   |            |
|                  |           | DVCC                | VCC               |              |                      |                   |            |

### 9.9.12 Comparator\_A

The primary function of the comparator\_A module is to support precision slope analog-to-digital conversions, battery-voltage supervision, and monitoring of external analog signals.

### 9.9.13 ADC12

The ADC12 module supports fast, 12-bit analog-to-digital conversions. The module implements a 12-bit SAR core, sample select control, reference generator and a 16 word conversion-and-control buffer. The conversion-and-control buffer allows up to 16 independent ADC samples to be converted and stored without any CPU intervention.

### 9.9.14 DAC12

The DAC12 module is a 12-bit, R-ladder, voltage output DAC. The DAC12 may be used in 8- or 12-bit mode, and may be used in conjunction with the DMA controller. When multiple DAC12 modules are present, they may be grouped together for synchronous operation.

### 9.9.15 Peripheral File Map

Table 9-12 shows peripherals with word-access registers, and Table 9-13 shows peripherals with byte-access registers.

**Table 9-12. Peripherals With Word Access**

| PERIPHERAL | REGISTER NAME                     | ACRONYM | OFFSET |
|------------|-----------------------------------|---------|--------|
| Watchdog   | Watchdog timer control            | WDTCTL  | 0120h  |
| Timer_B3   | Capture/compare register 2        | TBCCR2  | 0196h  |
|            | Capture/compare register 1        | TBCCR1  | 0194h  |
|            | Capture/compare register 0        | TBCCR0  | 0192h  |
|            | Timer_B register                  | TBR     | 0190h  |
|            | Capture/compare control 2         | TBCCTL2 | 0186h  |
|            | Capture/compare control 1         | TBCCTL1 | 0184h  |
|            | Capture/compare control 0         | TBCCTL0 | 0182h  |
|            | Timer_B control                   | TBCTL   | 0180h  |
|            | Timer_B interrupt vector          | TBIV    | 011Eh  |
|            | Capture/compare register 2        | TACCR2  | 0176h  |
|            | Capture/compare register 1        | TACCR1  | 0174h  |
|            | Capture/compare register 0        | TACCR0  | 0172h  |
| Timer_A3   | Timer_A register                  | TAR     | 0170h  |
|            | Capture/compare control 2         | TACCTL2 | 0166h  |
|            | Capture/compare control 1         | TACCTL1 | 0164h  |
|            | Capture/compare control 0         | TACCTL0 | 0162h  |
|            | Timer_A control                   | TACTL   | 0160h  |
|            | Timer_A interrupt vector          | TAIV    | 012Eh  |
| Flash      | Flash control 3                   | FCTL3   | 012Ch  |
|            | Flash control 2                   | FCTL2   | 012Ah  |
|            | Flash control 1                   | FCTL1   | 0128h  |
| DMA        | DMA module control 0              | DMACTL0 | 0122h  |
|            | DMA module control 1              | DMACTL1 | 0124h  |
|            | DMA channel 0 control             | DMA0CTL | 01E0h  |
|            | DMA channel 0 source address      | DMA0SA  | 01E2h  |
|            | DMA channel 0 destination address | DMA0DA  | 01E4h  |
|            | DMA channel 0 transfer size       | DMA0SZ  | 01E6h  |

**Table 9-12. Peripherals With Word Access (continued)**

| PERIPHERAL                                      | REGISTER NAME                  | ACRONYM    | OFFSET |
|---|--------------------------------|------------|--------|
| ADC12<br>(See also <a href="#">Table 9-13</a> ) | Conversion memory 15           | ADC12MEM15 | 015Eh  |
|   | Conversion memory 14           | ADC12MEM14 | 015Ch  |
|   | Conversion memory 13           | ADC12MEM13 | 015Ah  |
|   | Conversion memory 12           | ADC12MEM12 | 0158h  |
|   | Conversion memory 11           | ADC12MEM11 | 0156h  |
|   | Conversion memory 10           | ADC12MEM10 | 0154h  |
|   | Conversion memory 9            | ADC12MEM9  | 0152h  |
|   | Conversion memory 8            | ADC12MEM8  | 0150h  |
|   | Conversion memory 7            | ADC12MEM7  | 014Eh  |
|   | Conversion memory 6            | ADC12MEM6  | 014Ch  |
|   | Conversion memory 5            | ADC12MEM5  | 014Ah  |
|   | Conversion memory 4            | ADC12MEM4  | 0148h  |
|   | Conversion memory 3            | ADC12MEM3  | 0146h  |
|   | Conversion memory 2            | ADC12MEM2  | 0144h  |
|   | Conversion memory 1            | ADC12MEM1  | 0142h  |
|   | Conversion memory 0            | ADC12MEM0  | 0140h  |
|   | Interrupt-vector-word register | ADC12IV    | 01A8h  |
|   | Interrupt-enable register      | ADC12IE    | 01A6h  |
|   | Interrupt-flag register        | ADC12IFG   | 01A4h  |
|   | Control register 1             | ADC12CTL1  | 01A2h  |
| Control register 0                              | ADC12CTL0                      | 01A0h      |        |
| DAC12   | DAC12_1 data                   | DAC12_1DAT | 01CAh  |
|   | DAC12_1 control                | DAC12_1CTL | 01C2h  |
|   | DAC12_0 data                   | DAC12_0DAT | 01C8h  |
|   | DAC12_0 control                | DAC12_0CTL | 01C0h  |

**Table 9-13. Peripherals With Byte Access**

| PERIPHERAL | REGISTER NAME                              | ACRONYM | OFFSET |
|------------|--|---------|--------|
| OA2        | Operational Amplifier 2 control register 1 | OA2CTL1 | 0C5h   |
|            | Operational Amplifier 2 control register 0 | OA2CTL0 | 0C4h   |
| OA1        | Operational Amplifier 1 control register 1 | OA1CTL1 | 0C3h   |
|            | Operational Amplifier 1 control register 0 | OA1CTL0 | 0C2h   |
| OA0        | Operational Amplifier 0 control register 1 | OA0CTL1 | 0C1h   |
|            | Operational Amplifier 0 control register 0 | OA0CTL0 | 0C0h   |
| LCD        | LCD memory 20                              | LCDM20  | 0A4h   |
|            | ⋮  | ⋮       | ⋮      |
|            | LCD memory 16                              | LCDM16  | 0A0h   |
|            | LCD memory 15                              | LCDM15  | 09Fh   |
|            | ⋮  | ⋮       | ⋮      |
|            | LCD memory 1                               | LCDM1   | 091h   |
|            | LCD control and mode                       | LCDCTL  | 090h   |

**Table 9-13. Peripherals With Byte Access (continued)**

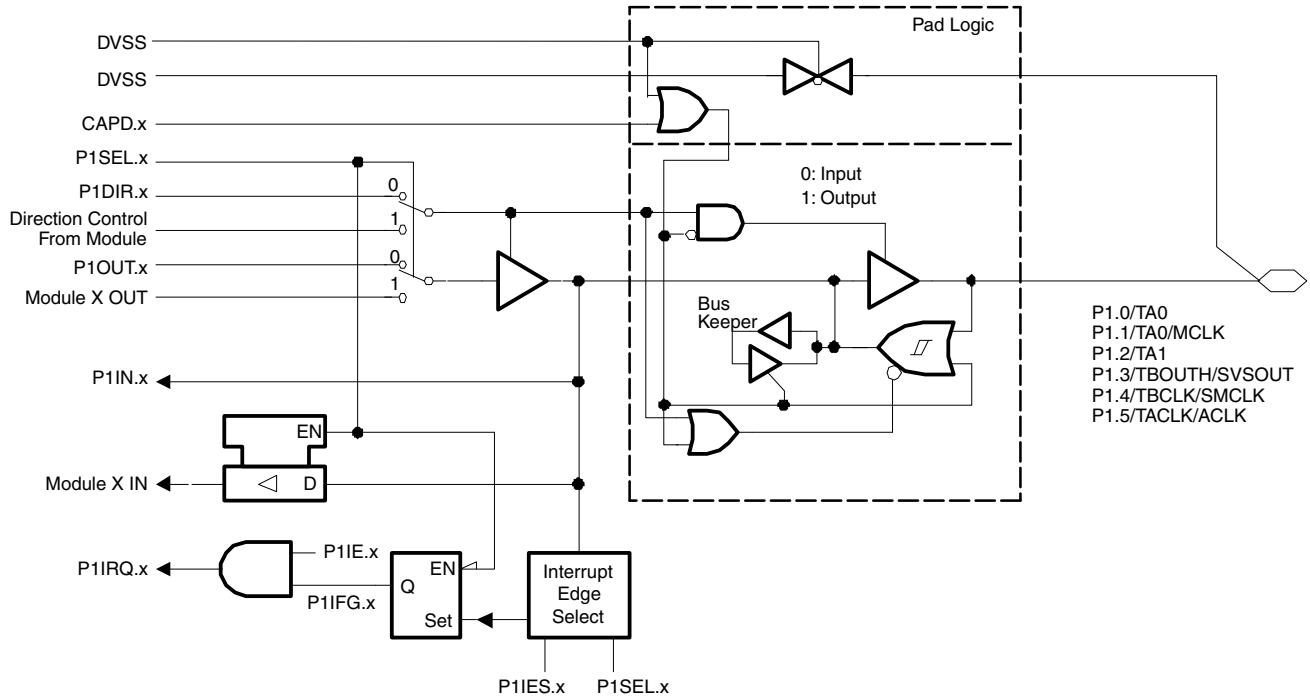
| PERIPHERAL  | REGISTER NAME                                   | ACRONYM     | OFFSET |
|---|---|-------------|--------|
| ADC12<br>(Memory control registers require byte access) | ADC memory-control register 15                  | ADC12MCTL15 | 08Fh   |
|   | ADC memory-control register 14                  | ADC12MCTL14 | 08Eh   |
|   | ADC memory-control register 13                  | ADC12MCTL13 | 08Dh   |
|   | ADC memory-control register 12                  | ADC12MCTL12 | 08Ch   |
|   | ADC memory-control register 11                  | ADC12MCTL11 | 08Bh   |
|   | ADC memory-control register 10                  | ADC12MCTL10 | 08Ah   |
|   | ADC memory-control register 9                   | ADC12MCTL9  | 089h   |
|   | ADC memory-control register 8                   | ADC12MCTL8  | 088h   |
|   | ADC memory-control register 7                   | ADC12MCTL7  | 087h   |
|   | ADC memory-control register 6                   | ADC12MCTL6  | 086h   |
|   | ADC memory-control register 5                   | ADC12MCTL5  | 085h   |
|   | ADC memory-control register 4                   | ADC12MCTL4  | 084h   |
|   | ADC memory-control register 3                   | ADC12MCTL3  | 083h   |
|   | ADC memory-control register 2                   | ADC12MCTL2  | 082h   |
|   | ADC memory-control register 1                   | ADC12MCTL1  | 081h   |
| ADC memory-control register 0                           | ADC12MCTL0                                      | 080h        |        |
| USART0<br>(UART or SPI mode)                            | Transmit buffer                                 | U0TXBUF     | 077h   |
|   | Receive buffer                                  | U0RXBUF     | 076h   |
|   | Baud rate                                       | U0BR1       | 075h   |
|   | Baud rate                                       | U0BR0       | 074h   |
|   | Modulation control                              | U0MCTL      | 073h   |
|   | Receive control                                 | U0RCTL      | 072h   |
|   | Transmit control                                | U0TCTL      | 071h   |
|   | USART control                                   | U0CTL       | 070h   |
| Comparator_A  | Comparator_A port disable                       | CAPD        | 05Bh   |
|   | Comparator_A control 2                          | CACTL2      | 05Ah   |
|   | Comparator_A control 1                          | CACTL1      | 059h   |
| BrownOUT, SVS   | SVS control register (Reset by brownout signal) | SVSCTL      | 056h   |
| FLL+ Clock  | FLL+ Control 1                                  | FLL_CTL1    | 054h   |
|   | FLL+ Control 0                                  | FLL_CTL0    | 053h   |
|   | System clock frequency control                  | SCFQCTL     | 052h   |
|   | System clock frequency integrator               | SCF11       | 051h   |
|   | System clock frequency integrator               | SCF10       | 050h   |
| Basic Timer1  | BT counter 2                                    | BTCNT2      | 047h   |
|   | BT counter 1                                    | BTCNT1      | 046h   |
|   | BT control                                      | BTCTL       | 040h   |
| Port P6   | Port P6 selection                               | P6SEL       | 037h   |
|   | Port P6 direction                               | P6DIR       | 036h   |
|   | Port P6 output                                  | P6OUT       | 035h   |
|   | Port P6 input                                   | P6IN        | 034h   |
| Port P5   | Port P5 selection                               | P5SEL       | 033h   |
|   | Port P5 direction                               | P5DIR       | 032h   |
|   | Port P5 output                                  | P5OUT       | 031h   |
|   | Port P5 input                                   | P5IN        | 030h   |

**Table 9-13. Peripherals With Byte Access (continued)**

| PERIPHERAL        | REGISTER NAME                 | ACRONYM | OFFSET |
|-------------------|-------------------------------|---------|--------|
| Port P4           | Port P4 selection             | P4SEL   | 01Fh   |
|                   | Port P4 direction             | P4DIR   | 01Eh   |
|                   | Port P4 output                | P4OUT   | 01Dh   |
|                   | Port P4 input                 | P4IN    | 01Ch   |
| Port P3           | Port P3 selection             | P3SEL   | 01Bh   |
|                   | Port P3 direction             | P3DIR   | 01Ah   |
|                   | Port P3 output                | P3OUT   | 019h   |
|                   | Port P3 input                 | P3IN    | 018h   |
| Port P2           | Port P2 selection             | P2SEL   | 02Eh   |
|                   | Port P2 interrupt enable      | P2IE    | 02Dh   |
|                   | Port P2 interrupt-edge select | P2IES   | 02Ch   |
|                   | Port P2 interrupt flag        | P2IFG   | 02Bh   |
|                   | Port P2 direction             | P2DIR   | 02Ah   |
|                   | Port P2 output                | P2OUT   | 029h   |
|                   | Port P2 input                 | P2IN    | 028h   |
| Port P1           | Port P1 selection             | P1SEL   | 026h   |
|                   | Port P1 interrupt enable      | P1IE    | 025h   |
|                   | Port P1 interrupt-edge select | P1IES   | 024h   |
|                   | Port P1 interrupt flag        | P1IFG   | 023h   |
|                   | Port P1 direction             | P1DIR   | 022h   |
|                   | Port P1 output                | P1OUT   | 021h   |
|                   | Port P1 input                 | P1IN    | 020h   |
| Special functions | SFR module enable 2           | ME2     | 005h   |
|                   | SFR module enable 1           | ME1     | 004h   |
|                   | SFR interrupt flag 2          | IFG2    | 003h   |
|                   | SFR interrupt flag 1          | IFG1    | 002h   |
|                   | SFR interrupt enable 2        | IE2     | 001h   |
|                   | SFR interrupt enable 1        | IE1     | 000h   |

## 9.10 Input/Output Schematics

### 9.10.1 Port P1, P1.0 to P1.5, Input/Output With Schmitt Trigger

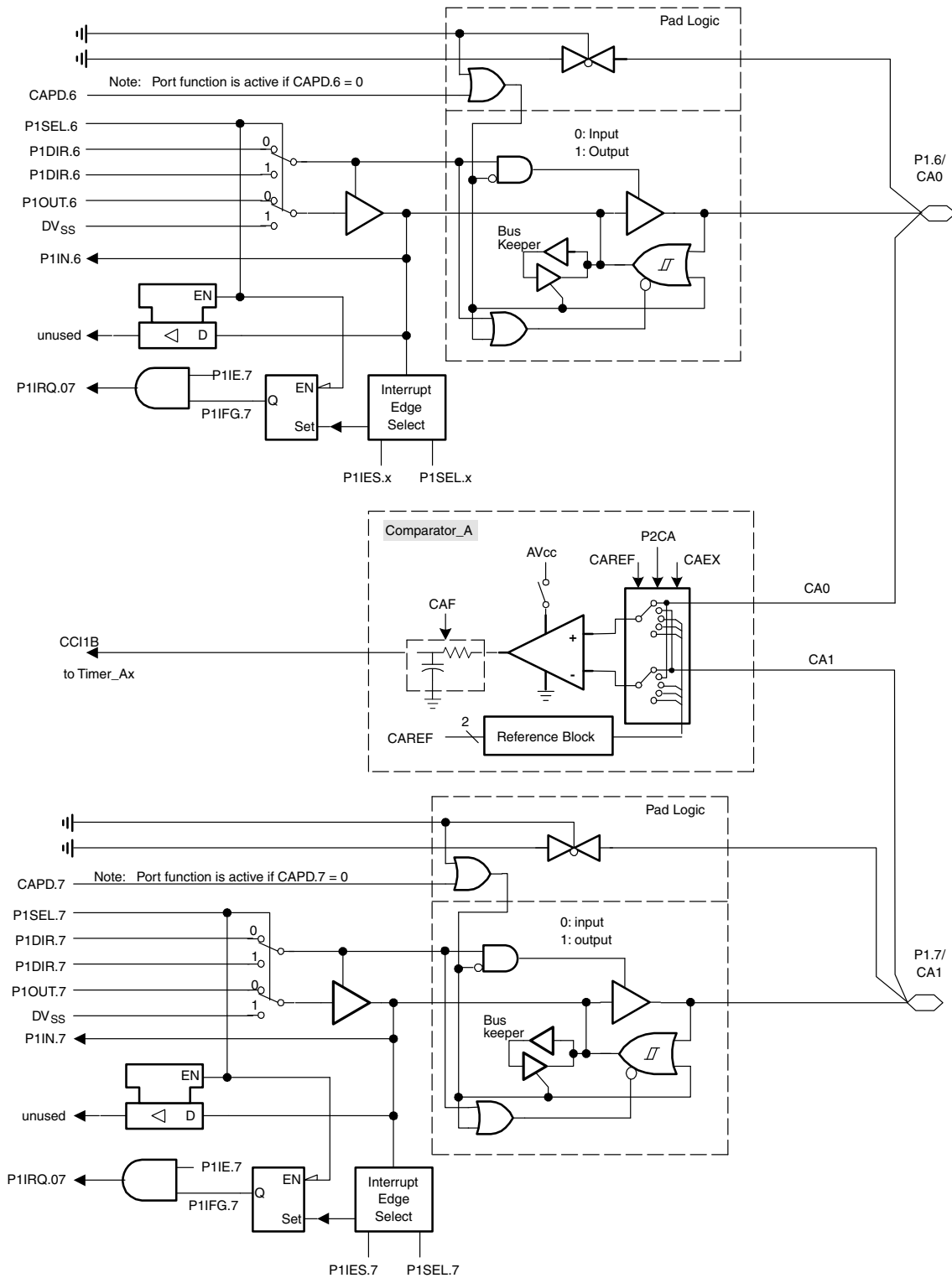


Note:  $0 \leq x \leq 5$   
Note: Port function is active if CAPD.x = 0

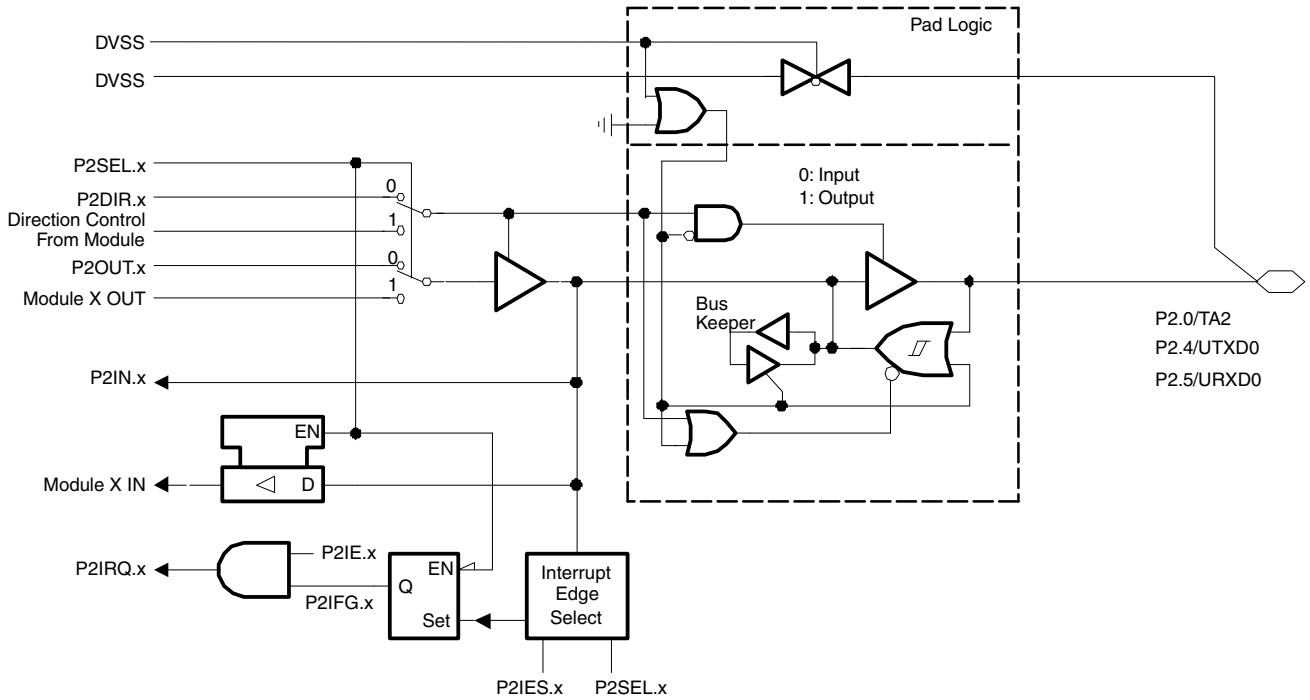
| PnSEL.x | PnDIR.x | Direction Control From Module | PnOUT.x | Module X OUT             | PnIN.x | Module X IN           | PnIE.x | PnIFG.x | PnIES.x |
|---------|---------|-------------------------------|---------|--------------------------|--------|-----------------------|--------|---------|---------|
| P1SEL.0 | P1DIR.0 | P1DIR.0                       | P1OUT0  | Out0 sig. <sup>(1)</sup> | P1IN.0 | CCI0A <sup>(1)</sup>  | P1IE.0 | P1IFG.0 | P1IES.0 |
| P1SEL.1 | P1DIR.1 | P1DIR.1                       | P1OUT.1 | MCLK                     | P1IN.1 | CCI0B <sup>(1)</sup>  | P1IE.1 | P1IFG.1 | P1IES.1 |
| P1SEL.2 | P1DIR.2 | P1DIR.2                       | P1OUT.2 | Out1 sig. <sup>(1)</sup> | P1IN.2 | CCI1A <sup>(1)</sup>  | P1IE.2 | P1IFG.2 | P1IES.2 |
| P1SEL.3 | P1DIR.3 | P1DIR.3                       | P1OUT.3 | SVSOUT                   | P1IN.3 | TBOUTH <sup>(2)</sup> | P1IE.3 | P1IFG.3 | P1IES.3 |
| P1SEL.4 | P1DIR.4 | P1DIR.4                       | P1OUT.4 | SMCLK                    | P1IN.4 | TBCLK <sup>(2)</sup>  | P1IE.4 | P1IFG.4 | P1IES.4 |
| P1SEL.5 | P1DIR.5 | P1DIR.5                       | P1OUT.5 | ACLK                     | P1IN.5 | TACLK <sup>(1)</sup>  | P1IE.5 | P1IFG.5 | P1IES.5 |

- (1) Timer\_A  
(2) Timer\_B

### 9.10.2 Port P1, P1.6 and P1.7, Input/Output With Schmitt Trigger



### 9.10.3 Port P2, P2.0 and P2.4 to P2.5, Input/Output With Schmitt Trigger

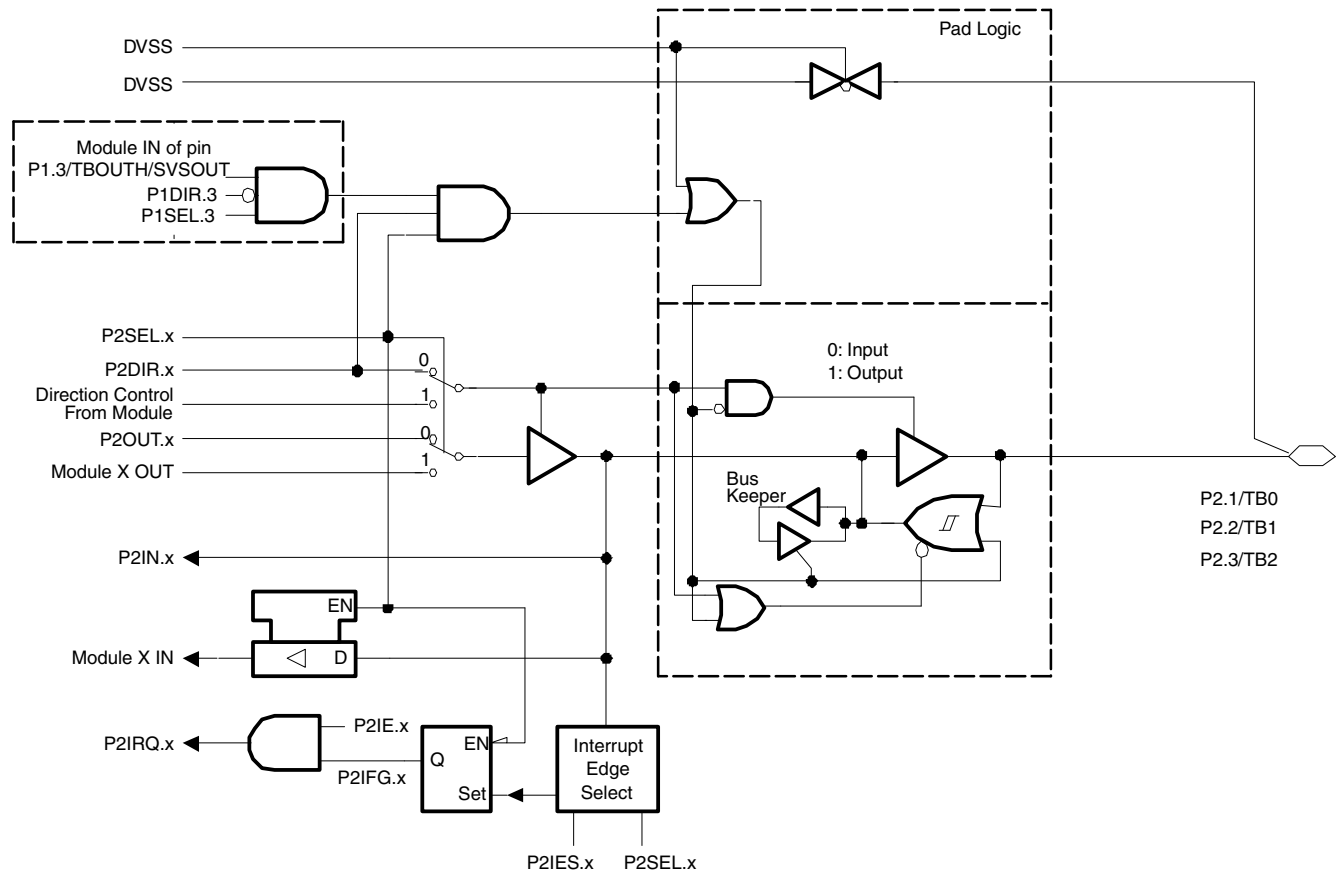


Note: x {0,4,5}

| PnSel.x | PnDIR.x | Direction Control From Module | PnOUT.x | Module X OUT             | PnIN.x | Module X IN          | PnIE.x | PnIFG.x | PnIES.x |
|---------|---------|-------------------------------|---------|--------------------------|--------|----------------------|--------|---------|---------|
| P2Sel.0 | P2DIR.0 | P2DIR.0                       | P2OUT.0 | Out2 sig. <sup>(1)</sup> | P2IN.0 | CCI2A <sup>(1)</sup> | P2IE.0 | P2IFG.0 | P2IES.0 |
| P2Sel.4 | P2DIR.4 | DVCC                          | P2OUT.4 | UTXD0 <sup>(2)</sup>     | P2IN.4 | unused               | P2IE.4 | P2IFG.4 | P2IES.4 |
| P2Sel.5 | P2DIR.5 | DVSS                          | P2OUT.5 | DVSS                     | P2IN.5 | URXD0 <sup>(2)</sup> | P2IE.5 | P2IFG.5 | P2IES.5 |

- (1) Timer\_A
- (2) USART0

### 9.10.4 Port P2, P2.1 to P2.3, Input/Output With Schmitt Trigger

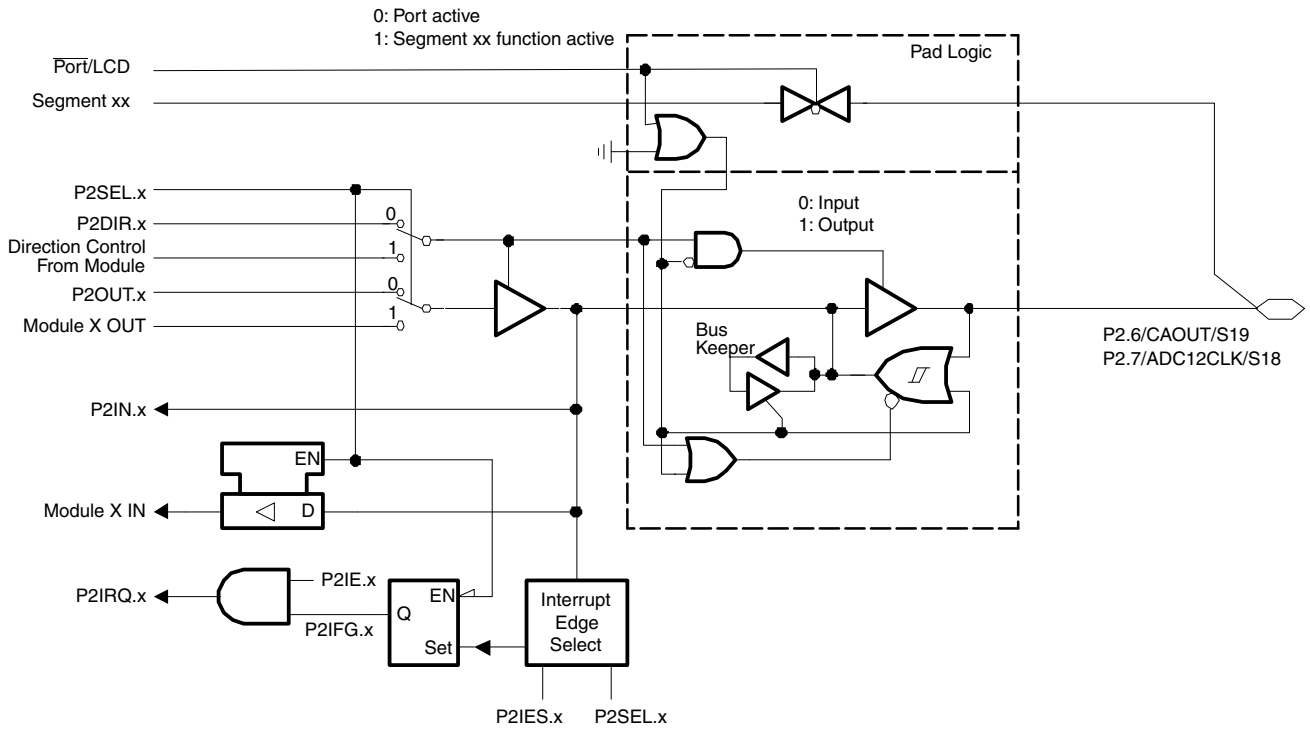


Note:  $1 \leq x \leq 3$

| PnSel.x | PnDIR.x | Direction Control From Module | PnOUT.x | Module X OUT             | PnIN.x | Module X IN                   | PnIE.x | PnIFG.x | PnIES.x |
|---------|---------|-------------------------------|---------|--------------------------|--------|-------------------------------|--------|---------|---------|
| P2Sel.1 | P2DIR.1 | P2DIR.1                       | P2OUT.1 | Out0 sig. <sup>(1)</sup> | P2IN.1 | CCI0A <sup>(1)</sup><br>CCI0B | P2IE.1 | P2IFG.1 | P2IES.1 |
| P2Sel.2 | P2DIR.2 | P2DIR.2                       | P2OUT.2 | Out1 sig. <sup>(1)</sup> | P2IN.2 | CCI1A <sup>(1)</sup><br>CCI1B | P2IE.2 | P2IFG.2 | P2IES.2 |
| P2Sel.3 | P2DIR.3 | P2DIR.3                       | P2OUT.3 | Out2 sig. <sup>(1)</sup> | P2IN.3 | CCI2A <sup>(1)</sup><br>CCI2B | P2IE.3 | P2IFG.3 | P2IES.3 |

(1) Timer\_B

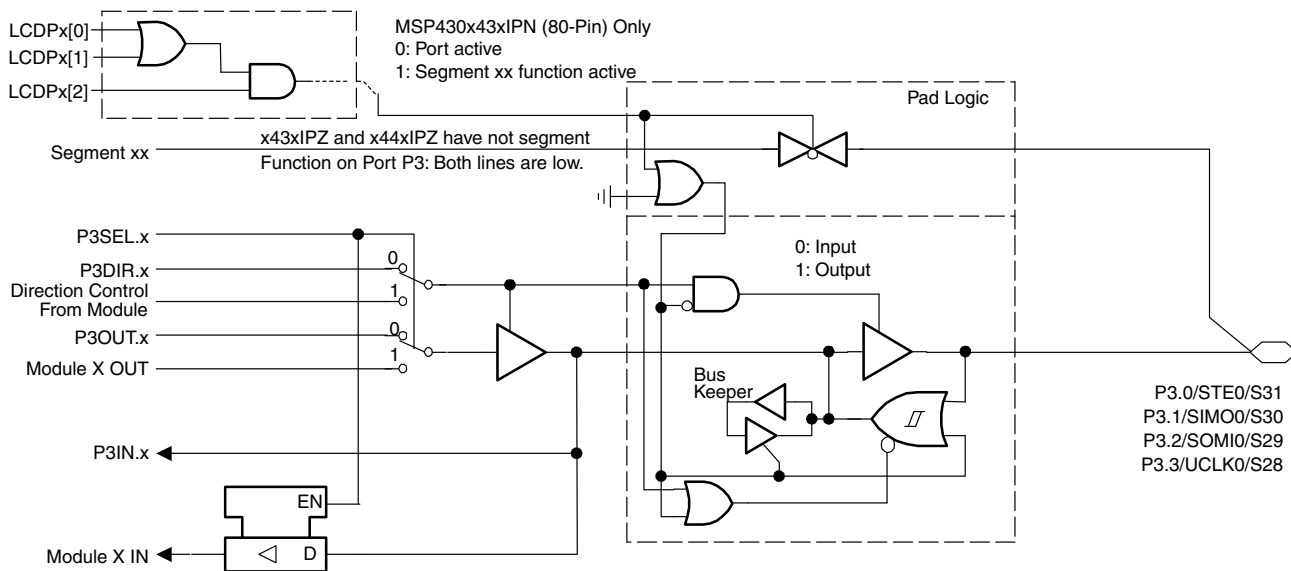
### 9.10.5 Port P2, P2.6 and P2.7, Input/Output With Schmitt Trigger



| PnSel.x | PnDIR.x | Direction Control From Module | PnOUT.x | Module X OUT            | PnIN.x | Module X IN | PnIE.x | PnIFG.x | PnIES.x | Port/LCD                   |
|---------|---------|-------------------------------|---------|-------------------------|--------|-------------|--------|---------|---------|----------------------------|
| P2Sel.6 | P2DIR.6 | P2DIR.6                       | P2OUT.6 | CAOUT <sup>(1)</sup>    | P2IN.6 | unused      | P2IE.6 | P2IFG.6 | P2IES.6 | 0: LCDP <sub>x</sub> < 02h |
| P2Sel.7 | P2DIR.7 | P2DIR.7                       | P2OUT.7 | ADC12CLK <sup>(2)</sup> | P2IN.7 | unused      | P2IE.7 | P2IFG.7 | P2IES.7 | 0: LCDP <sub>x</sub> < 02h |

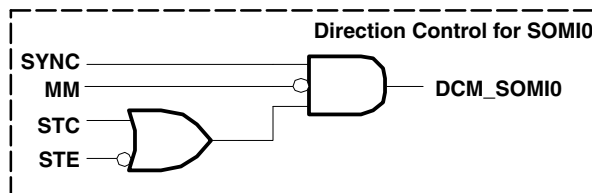
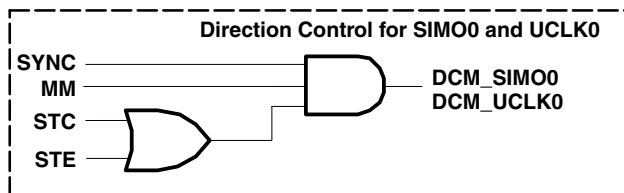
- (1) Comparator\_A
- (2) ADC12

### 9.10.6 Port P3, P3.0 to P3.3, Input/Output With Schmitt Trigger

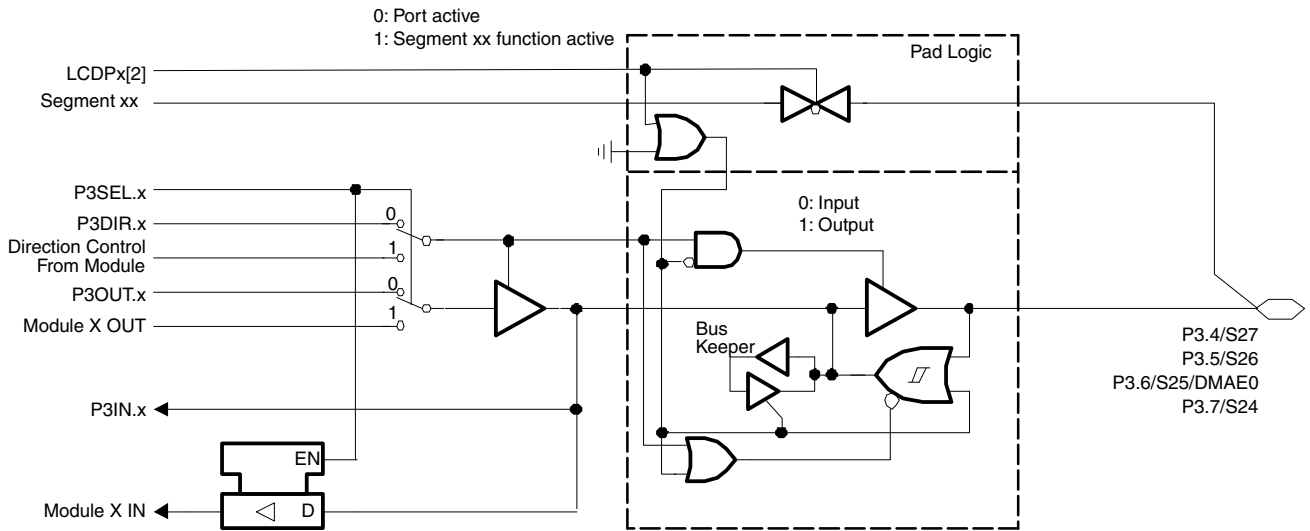


Note:  $0 \leq x \leq 3$

| PnSel.x | PnDIR.x | Direction Control From Module | PnOUT.x | Module X OUT | PnIN.x | Module X IN |
|---------|---------|-------------------------------|---------|--------------|--------|-------------|
| P3Sel.0 | P3DIR.0 | DVSS                          | P3OUT.0 | DVSS         | P3IN.0 | STE0(in)    |
| P3Sel.1 | P3DIR.1 | DCM_SIMO0                     | P3OUT.1 | SIMO0(out)   | P3IN.1 | SIMO0(in)   |
| P3Sel.2 | P3DIR.2 | DCM_SOMI0                     | P3OUT.2 | SOMI0(out)   | P3IN.2 | SOMI0(in)   |
| P3Sel.3 | P3DIR.3 | DCM_UCLK0                     | P3OUT.3 | UCLK0(out)   | P3IN.3 | UCLK0(in)   |



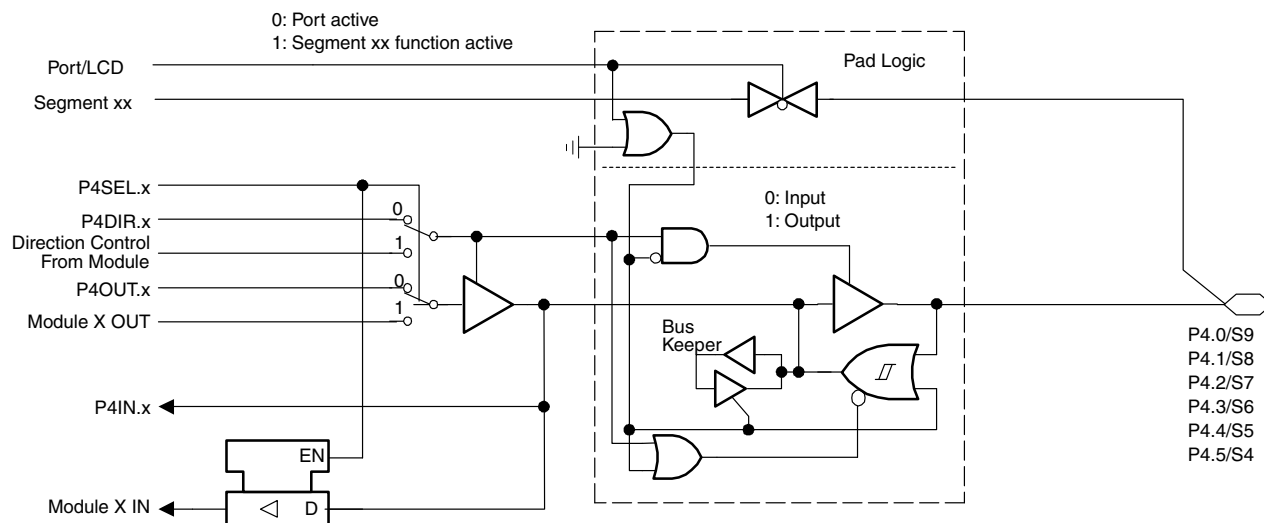
### 9.10.7 Port P3, P3.4 to P3.7, Input/Output With Schmitt Trigger



Note:  $4 \leq x \leq 7$

| PnSel.x | PnDIR.x | Direction Control From Module | PnOUT.x | Module X OUT | PnIN.x | Module X IN |
|---------|---------|-------------------------------|---------|--------------|--------|-------------|
| P3SEL.4 | P3DIR.4 | P3DIR.4                       | P3OUT.4 | DVSS         | P3IN.4 | unused      |
| P3SEL.5 | P3DIR.5 | P3DIR.5                       | P3OUT.5 | DVSS         | P3IN.5 | unused      |
| P3SEL.6 | P3DIR.6 | P3DIR.6                       | P3OUT.6 | DVSS         | P3IN.6 | DMAE0       |
| P3SEL.7 | P3DIR.7 | P3DIR.7                       | P3OUT.7 | DVSS         | P3IN.7 | unused      |

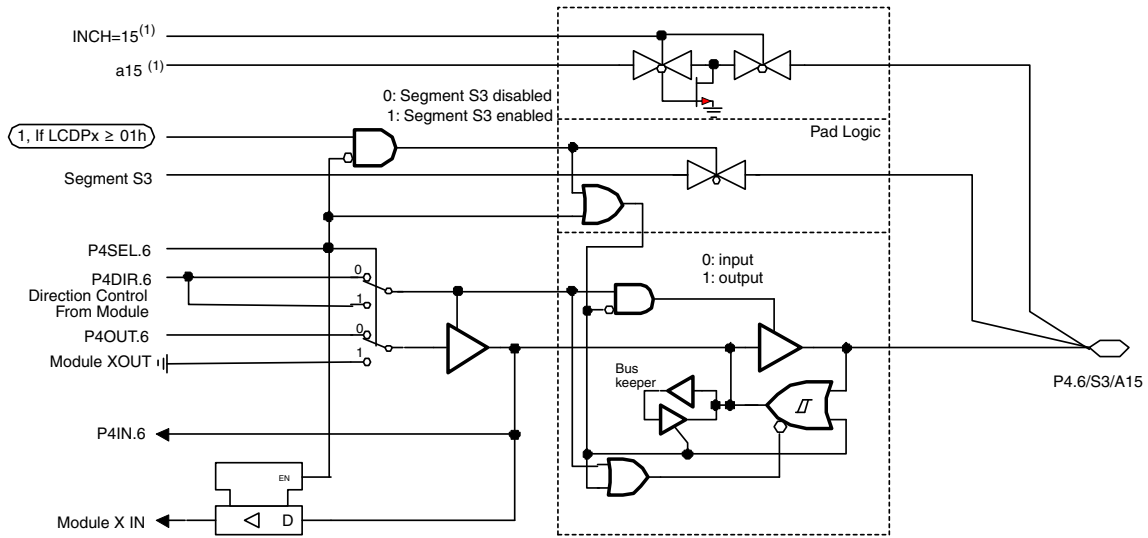
### 9.10.8 Port P4, P4.0 to P4.5, Input/Output With Schmitt Trigger


 Note:  $0 \leq x \leq 5$ 

| PnSEL.x | PnDIR.x | Direction Control From Module | PnOUT.x | Module X OUT | PnIN.x | Module X IN |
|---------|---------|-------------------------------|---------|--------------|--------|-------------|
| P4SEL.0 | P4DIR.0 | P4DIR.0                       | P4OUT.0 | DVSS         | P4IN.0 | unused      |
| P4SEL.1 | P4DIR.1 | P4DIR.1                       | P4OUT.1 | DVSS         | P4IN.1 | unused      |
| P4SEL.2 | P4DIR.2 | P4DIR.2                       | P4OUT.2 | DVSS         | P4IN.2 | unused      |
| P4SEL.3 | P4DIR.3 | P4DIR.3                       | P4OUT.3 | DVSS         | P4IN.3 | unused      |
| P4SEL.4 | P4DIR.4 | P4DIR.4                       | P4OUT.4 | DVSS         | P4IN.4 | unused      |
| P4SEL.5 | P4DIR.5 | P4DIR.5                       | P4OUT.5 | DVSS         | P4IN.5 | unused      |

| DEVICE      | PORT BITS    | PORT FUNCTION | LCD SEGMENT FUNCTION |
|-------------|--------------|---------------|----------------------|
| MSP430FG43x | P4.0 to P4.5 | LCDPx < 01h   | LCDPx ≥ 01h          |

### 9.10.9 Port P4, P4.6, Input/Output With Schmitt Trigger

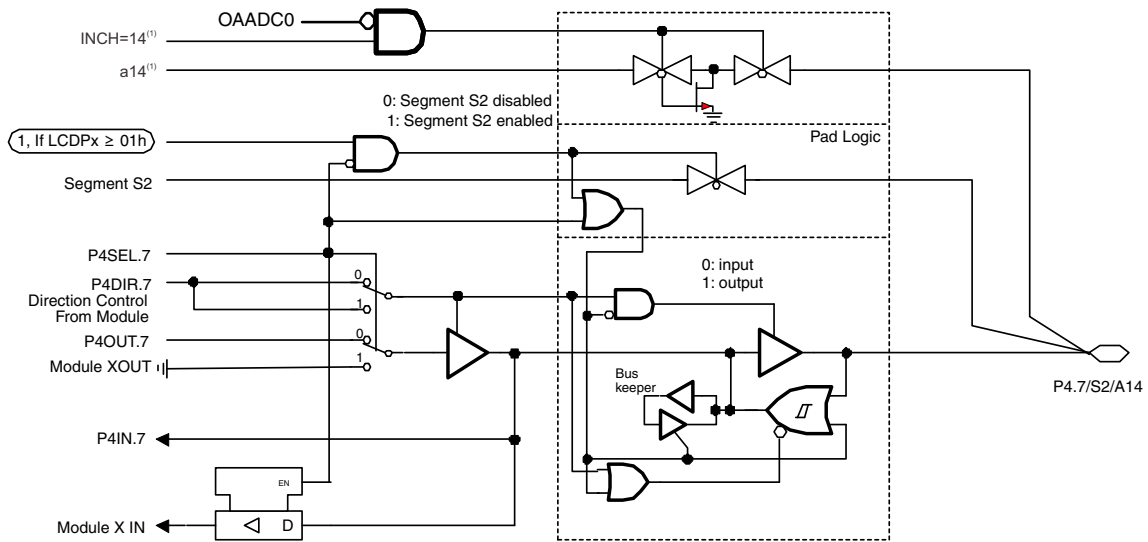


<sup>(1)</sup>Signal from or to ADC12

| PnSEL.x | PnDIR.x | Direction Control From Module | PnOUT.x | Module X OUT | PnIN.x | Module X IN |
|---------|---------|-------------------------------|---------|--------------|--------|-------------|
| P4SEL.6 | P4DIR.6 | P4DIR.6                       | P4OUT.6 | DVSS         | P4IN.6 | unused      |

| DEVICE      | PORT BITS | PORT FUNCTION | LCD SEGMENT FUNCTION |
|-------------|-----------|---------------|----------------------|
| MSP430FG43x | P4.6      | LCDPx < 01h   | LCDPx ≥ 01h          |

### 9.10.10 Port P4, P4.7, Input/Output With Schmitt Trigger

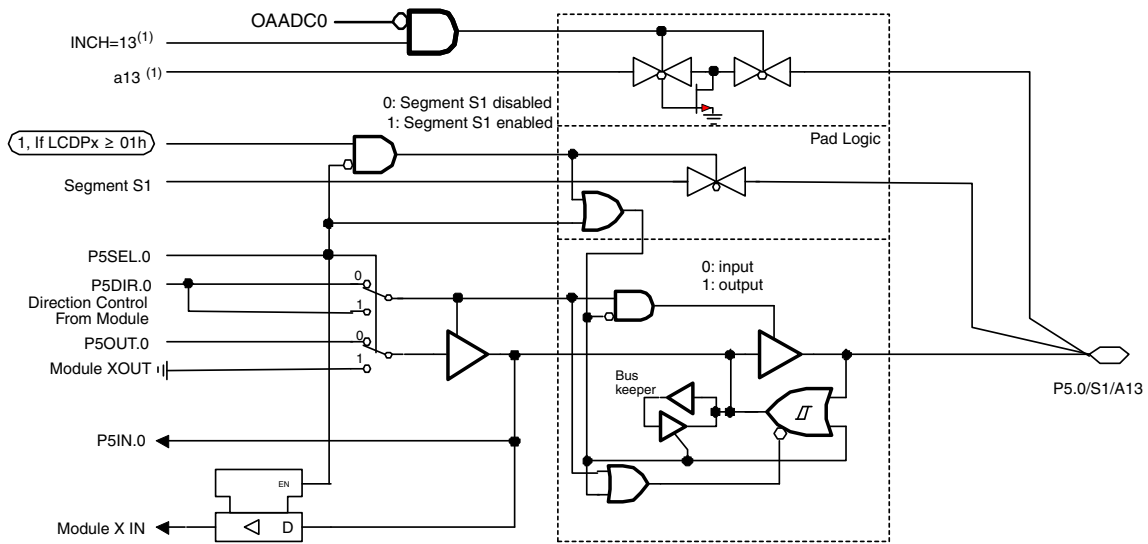


<sup>(1)</sup> Signal from or to ADC12

| PnSel.x | PnDIR.x | Direction Control From Module | PnOUT.x | Module X OUT | PnIN.x | Module X IN |
|---------|---------|-------------------------------|---------|--------------|--------|-------------|
| P4Sel.7 | P4DIR.7 | P4DIR.7                       | P4OUT.7 | DVSS         | P4IN.7 | Unused      |

| DEVICE      | PORT BITS | PORT FUNCTION | LCD SEGMENT FUNCTION |
|-------------|-----------|---------------|----------------------|
| MSP430FG43x | P4.7      | LCDPx < 01h   | LCDPx ≥ 01h          |

### 9.10.11 Port P5, P5.0, Input/Output With Schmitt Trigger

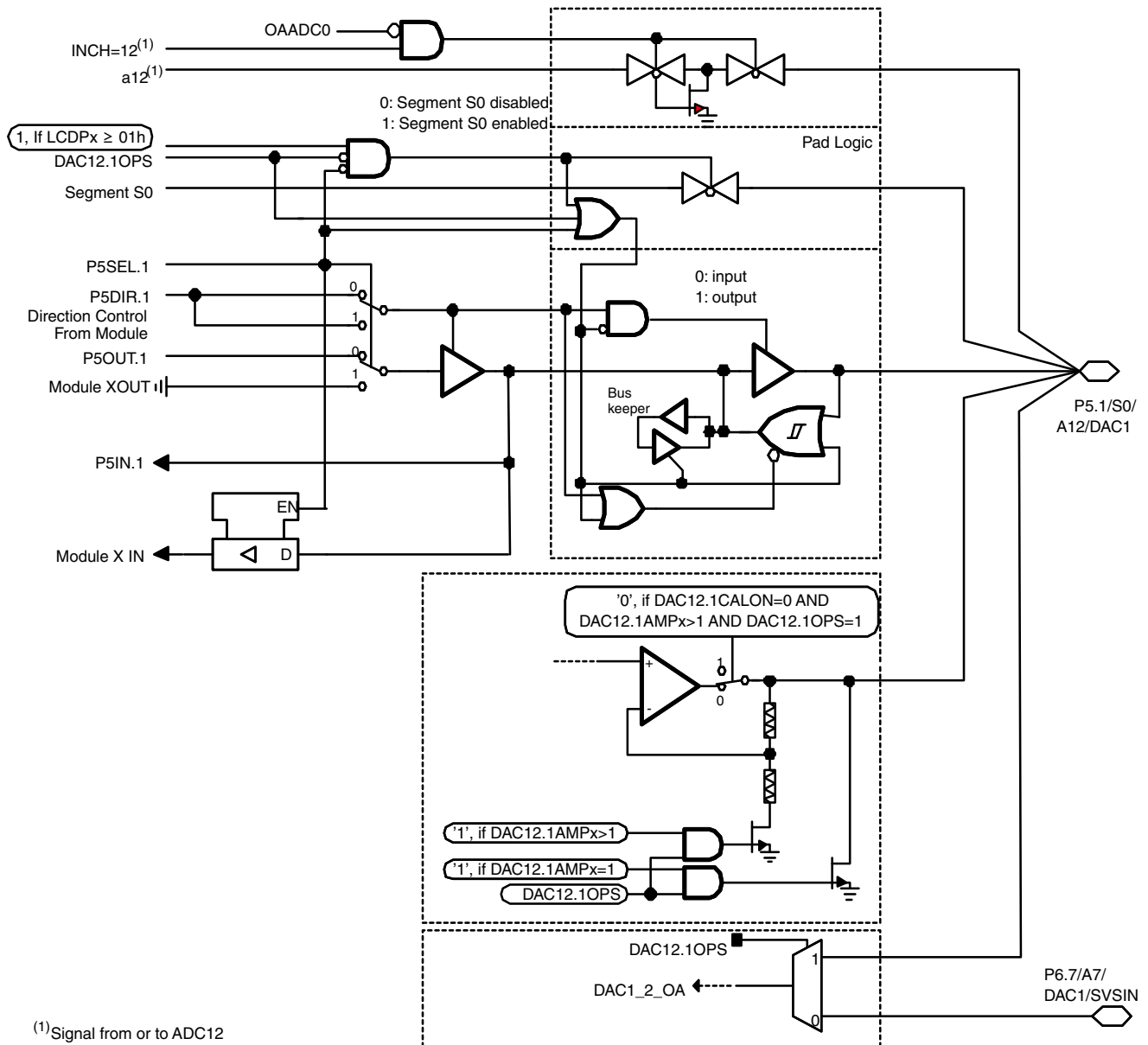


(1) Signal from or to ADC12

| PnSEL.x | PnDIR.x | Direction Control From Module | PnOUT.x | Module X OUT | PnIN.x | Module X IN |
|---------|---------|-------------------------------|---------|--------------|--------|-------------|
| P5SEL.0 | P5DIR.0 | P5DIR.0                       | P5OUT.0 | DVSS         | P5IN.0 | unused      |

| DEVICE      | PORT BITS | PORT FUNCTION | LCD SEGMENT FUNCTION |
|-------------|-----------|---------------|----------------------|
| MSP430FG43x | P5.0      | LCDPx < 01h   | LCDPx ≥ 01h          |

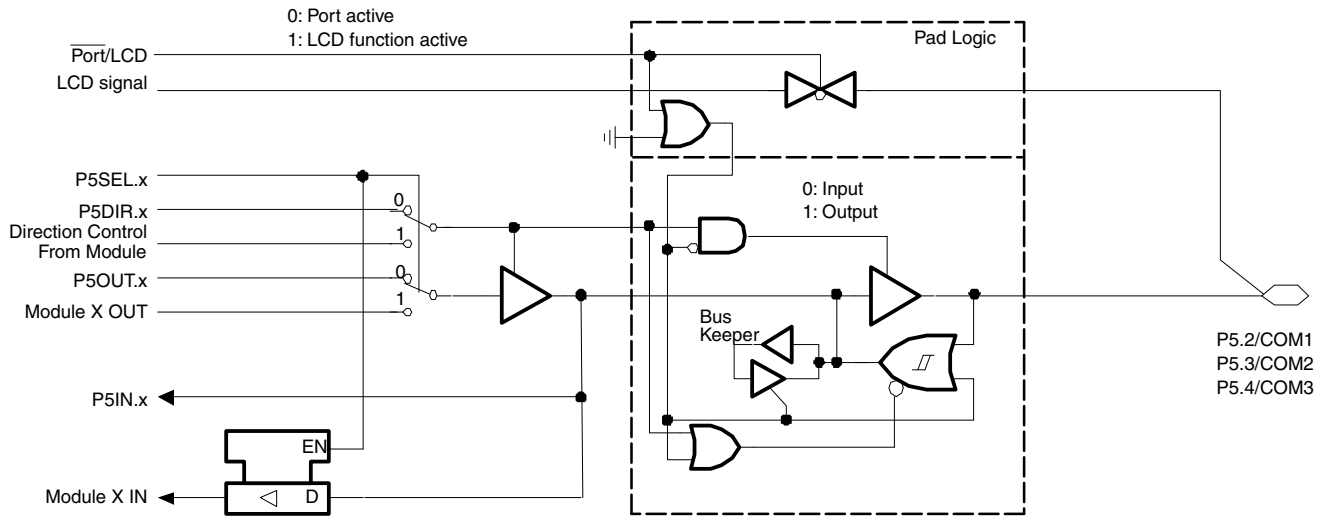
### 9.10.12 Port P5, P5.1, Input/Output With Schmitt Trigger



| Function | Description  | P5SEL.1 | LCDPx | DAC12.1OPS | DAC12.1AMPx |
|----------|--|---------|-------|------------|-------------|
| DAC12    | 3-State  | X       | X     | 1          | 0           |
|          | 0 V  | X       | X     | 1          | 1           |
|          | DAC1 output<br>(the output voltage can be converted with ADC12, channel A12) | X       | X     | 1          | > 1         |
| ADC12    | Channel 12, A12  | 1       | X     | 0          | X           |
| LCD      | Segment S0, initial state  | 0       | ≥ 01h | 0          | X           |
| Port     | P5.1   | 0       | < 01h | 0          | X           |

| PnSEL.x | PnDIR.x | Direction Control From Module | PnOUT.x | Module X OUT | PnIN.x | Module X IN | Segment | Port/LCD       |
|---------|---------|-------------------------------|---------|--------------|--------|-------------|---------|----------------|
| P5SEL.1 | P5DIR.1 | P5DIR.1                       | P5OUT.1 | DVSS         | P5IN.1 | Unused      | S0      | 0: LCDPx < 01h |

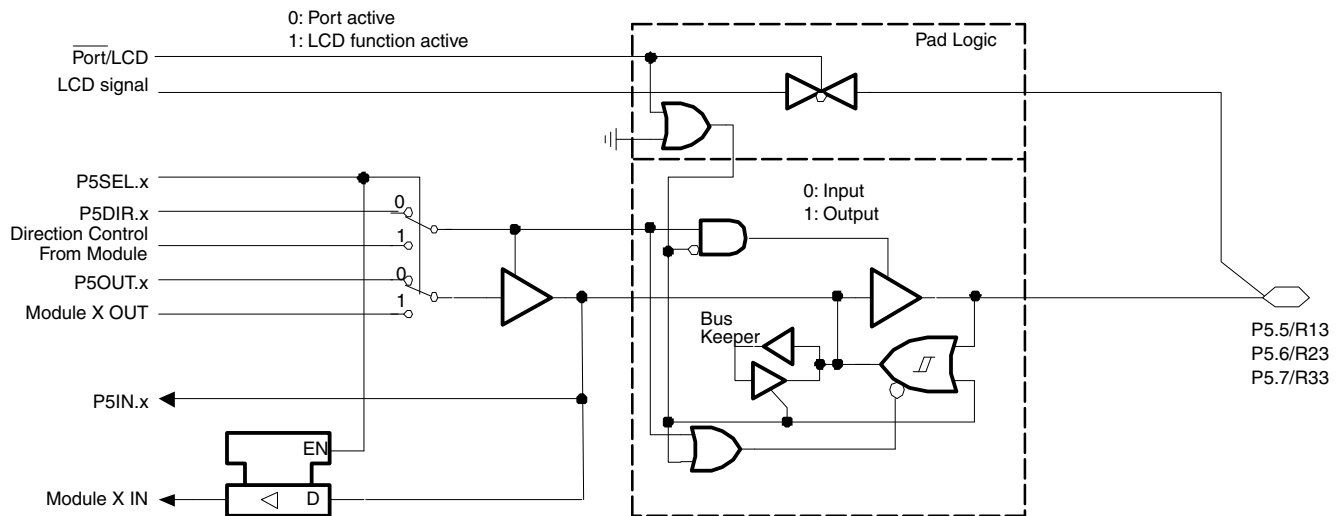
### 9.10.13 Port P5, P5.2 to P5.4, Input/Output With Schmitt Trigger



Note:  $2 \leq x \leq 4$

| PnSel.x | PnDIR.x | Direction Control From Module | PnOUT.x | Module X OUT | PnIN.x | Module X IN | LCD signal | Port/LCD |
|---------|---------|-------------------------------|---------|--------------|--------|-------------|------------|----------|
| P5Sel.2 | P5DIR.2 | P5DIR.2                       | P5OUT.2 | DVSS         | P5IN.2 | Unused      | COM1       | P5SEL.2  |
| P5Sel.3 | P5DIR.3 | P5DIR.3                       | P5OUT.3 | DVSS         | P5IN.3 | Unused      | COM2       | P5SEL.3  |
| P5Sel.4 | P5DIR.4 | P5DIR.4                       | P5OUT.4 | DVSS         | P5IN.4 | Unused      | COM3       | P5SEL.4  |

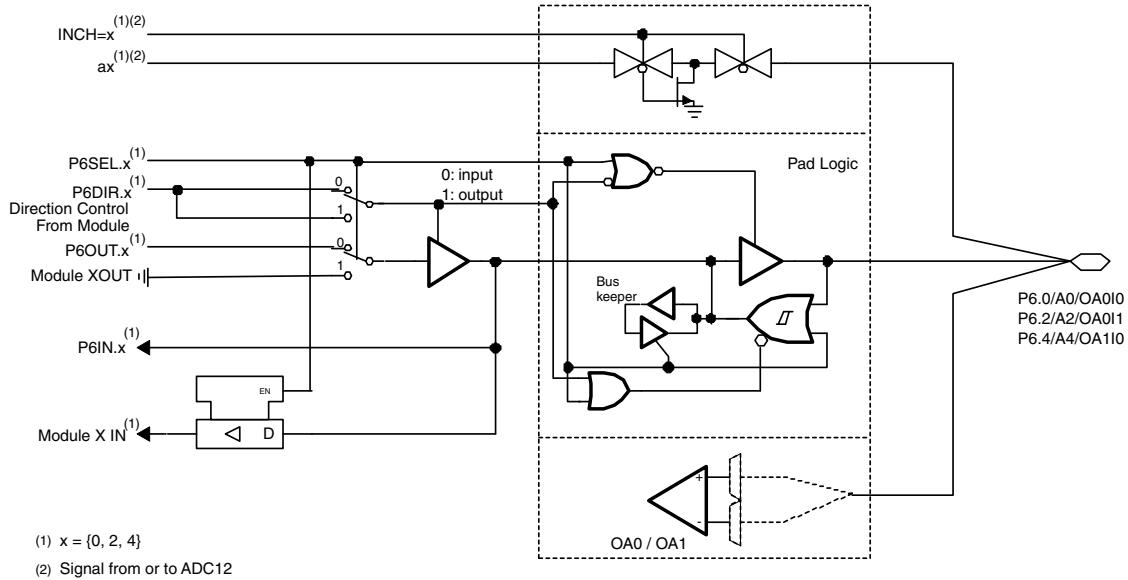
### 9.10.14 Port P5, P5.5 to P5.7, Input/Output With Schmitt Trigger



Note:  $5 \leq x \leq 7$

| PnSel.x | PnDIR.x | Direction Control From Module | PnOUT.x | Module X OUT | PnIN.x | Module X IN | LCD signal | $\overline{\text{Port/LCD}}$ |
|---------|---------|-------------------------------|---------|--------------|--------|-------------|------------|------------------------------|
| P5Sel.5 | P5DIR.5 | P5DIR.5                       | P5OUT.5 | DVSS         | P5IN.5 | Unused      | R13        | P5SEL.5                      |
| P5Sel.6 | P5DIR.6 | P5DIR.6                       | P5OUT.6 | DVSS         | P5IN.6 | Unused      | R23        | P5SEL.6                      |
| P5Sel.7 | P5DIR.7 | P5DIR.7                       | P5OUT.7 | DVSS         | P5IN.7 | Unused      | R33        | P5SEL.7                      |

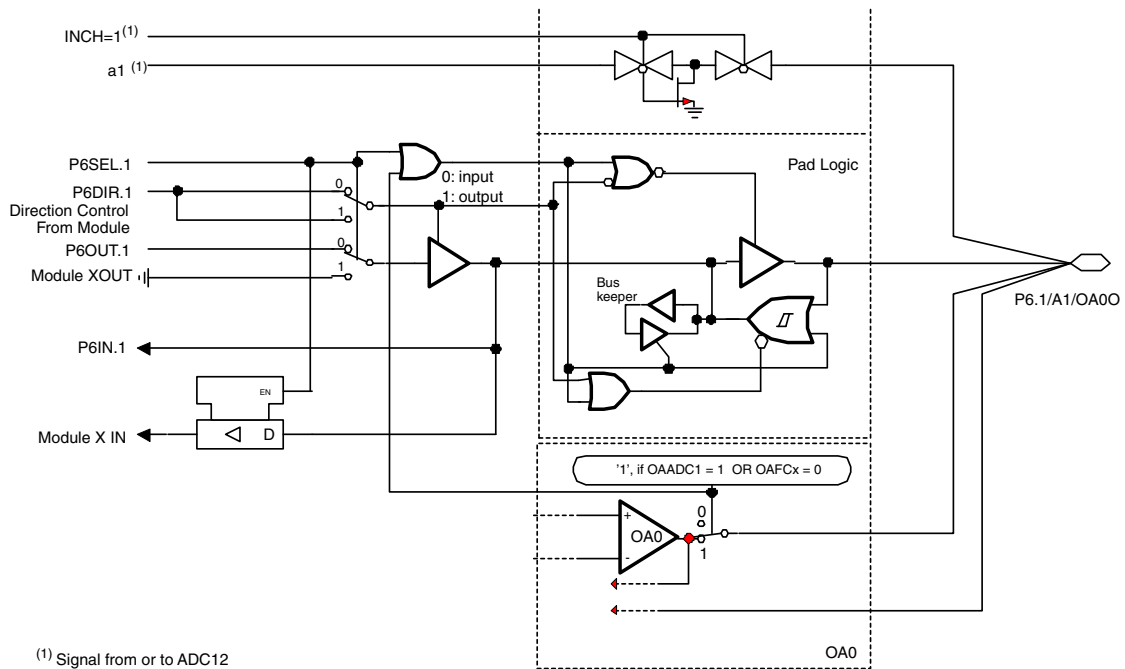
### 9.10.15 Port P6, P6.0, P6.2, and P6.4, Input/Output With Schmitt Trigger



| PnSel.x <sup>(1)</sup> | PnDIR.x | Direction Control From Module | PnOUT.x | Module X OUT | PnIN.x | Module X IN |
|------------------------|---------|-------------------------------|---------|--------------|--------|-------------|
| P6Sel.0                | P6DIR.0 | P6DIR.0                       | P6OUT.0 | DVSS         | P6IN.0 | unused      |
| P6Sel.2                | P6DIR.2 | P6DIR.2                       | P6OUT.2 | DVSS         | P6IN.2 | unused      |
| P6Sel.4                | P6DIR.4 | P6DIR.4                       | P6OUT.4 | DVSS         | P6IN.4 | unused      |

(1) The signal at pin P6.x/Ax is used by the 12-bit ADC module.

### 9.10.16 Port P6, P6.1, Input/Output With Schmitt Trigger

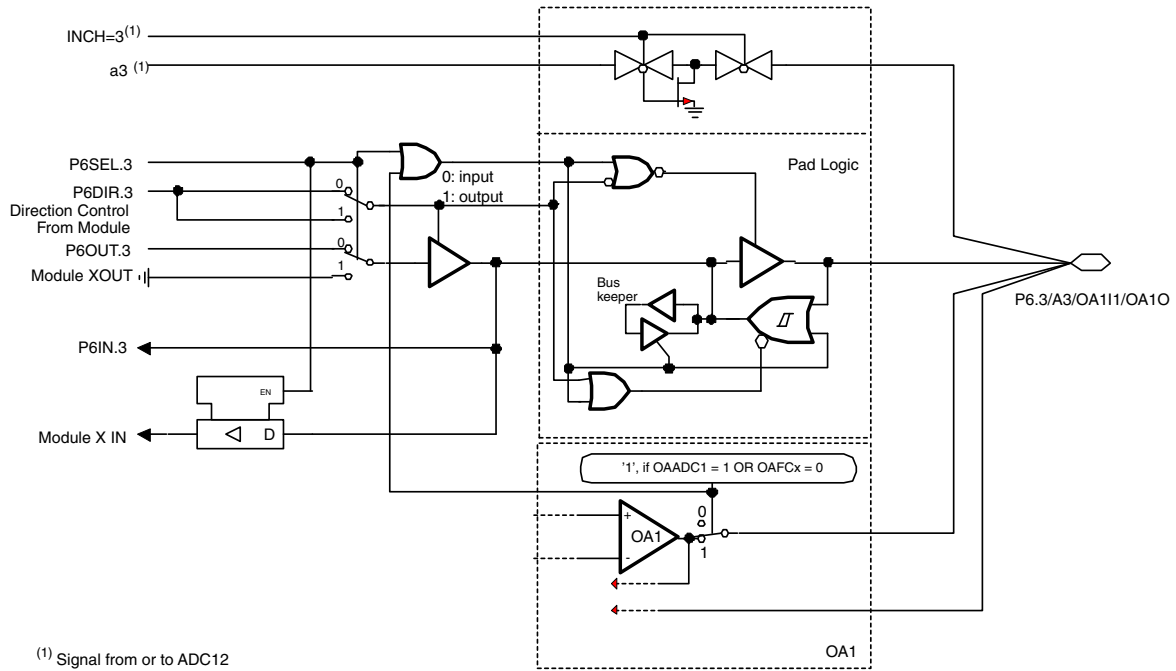


(1) Signal from or to ADC12

| PnSel.x <sup>(1)</sup> | PnDIR.x | Direction Control From Module | PnOUT.x | Module X OUT | PnIN.x | Module X IN |
|------------------------|---------|-------------------------------|---------|--------------|--------|-------------|
| P6Sel.1                | P6DIR.1 | P6DIR.1                       | P6OUT.1 | DVSS         | P6IN.1 | unused      |

(1) The signal at pin P6.x/Ax is used by the 12-bit ADC module.

### 9.10.17 Port P6, P6.3, Input/Output With Schmitt Trigger

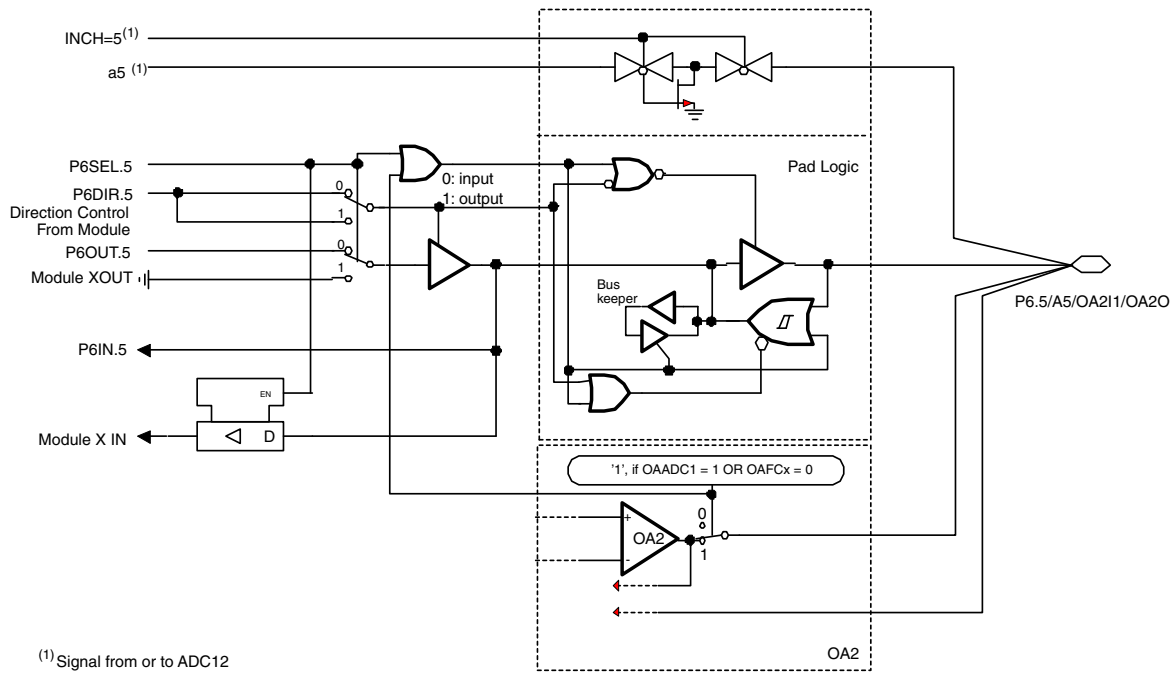


<sup>(1)</sup> Signal from or to ADC12

| PnSel.x <sup>(1)</sup> | PnDIR.x | Direction Control From Module | PnOUT.x | Module X OUT | PnIN.x | Module X IN |
|------------------------|---------|-------------------------------|---------|--------------|--------|-------------|
| P6Sel.3                | P6DIR.3 | P6DIR.3                       | P6OUT.3 | DVSS         | P6IN.3 | unused      |

(1) The signal at pin P6.x/Ax is used by the 12-bit ADC module.

### 9.10.18 Port P6, P6.5, Input/Output With Schmitt Trigger

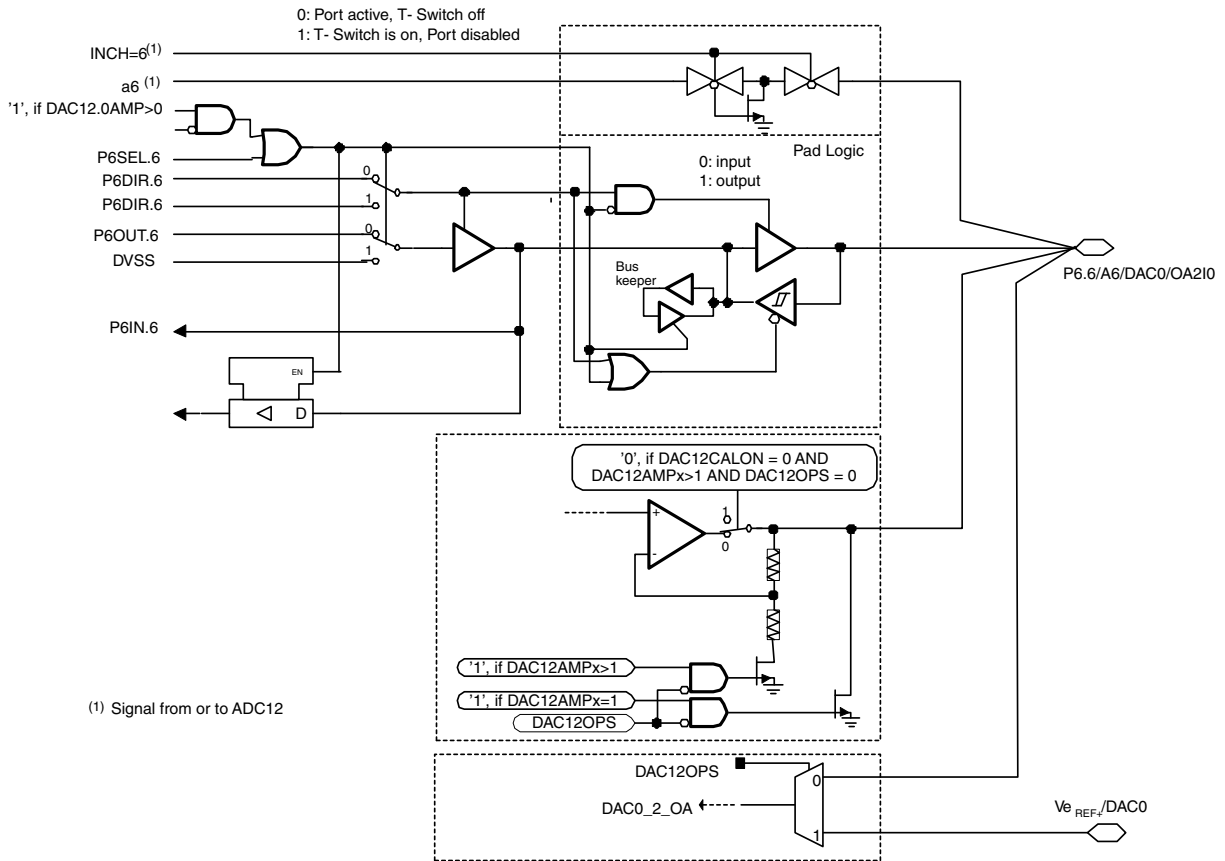


(1) Signal from or to ADC12

| PnSel.x <sup>(1)</sup> | PnDIR.x | Direction Control From Module | PnOUT.x | Module X OUT | PnIN.x | Module X IN |
|------------------------|---------|-------------------------------|---------|--------------|--------|-------------|
| P6Sel.5                | P6DIR.5 | P6DIR.5                       | P6OUT.5 | DVSS         | P6IN.5 | unused      |

(1) The signal at pins P6.x/Ax is used by the 12-bit ADC module.

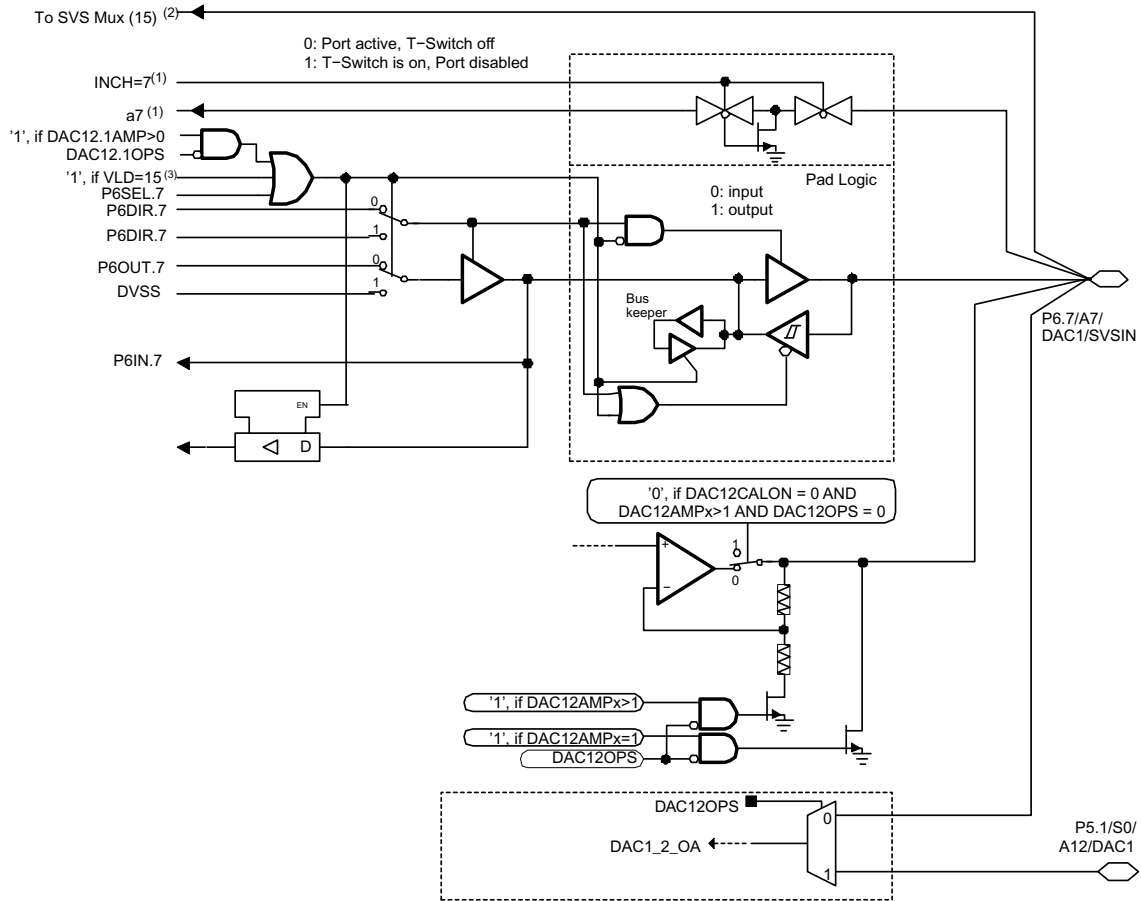
### 9.10.19 Port P6, P6.6, Input/Output With Schmitt Trigger



| PnSel.x <sup>(1)</sup> | PnDIR.x | Direction Control From Module | PnOUT.x | Module X OUT | PnIN.x | Module X IN |
|------------------------|---------|-------------------------------|---------|--------------|--------|-------------|
| P6Sel.6                | P6DIR.6 | P6DIR.6                       | P6OUT.6 | DVSS         | P6IN.6 | unused      |

(1) The signal at pins P6.x/Ax is used by the 12-bit ADC module.

### 9.10.20 Port P6, P6.7, Input/Output With Schmitt Trigger

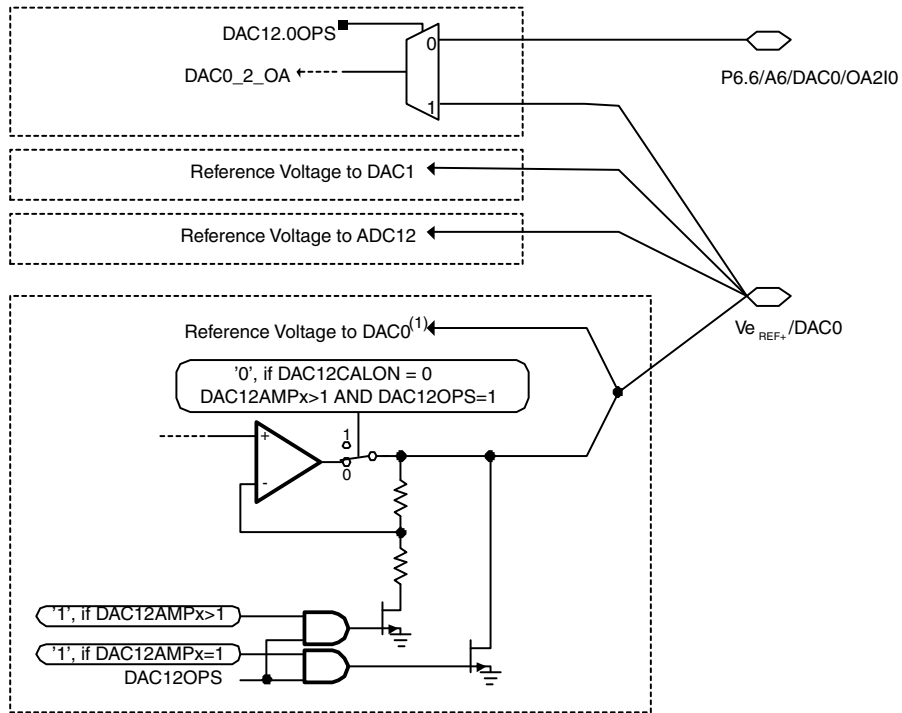


- (1) Signal from or to ADC12  
 (2) Signal to SVS block, selected if VLD=15  
 (3) VLD control bits are located in SVS

| PnSel.x <sup>(1)</sup> | PnDIR.x | Direction Control From Module | PnOUT.x | Module X OUT | PnIN.x | Module X IN |
|------------------------|---------|-------------------------------|---------|--------------|--------|-------------|
| P6Sel.7                | P6DIR.7 | P6DIR.7                       | P6OUT.7 | DVSS         | P6IN.7 | unused      |

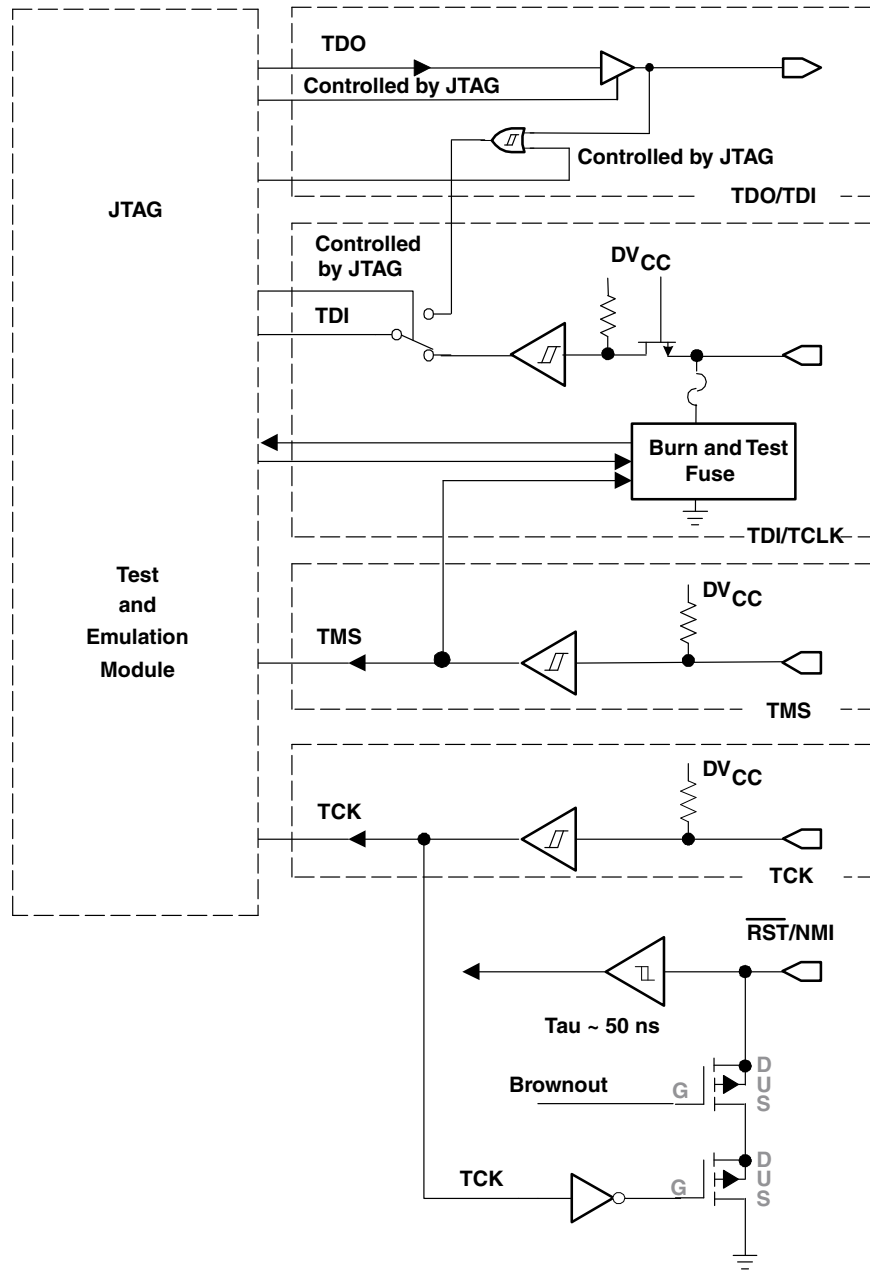
- (1) The signal at pins P6.x/Ax is used by the 12-bit ADC module. The signal at pin P6.7/A7/SVSIN is also connected to the input multiplexer in the module brownout/supply voltage supervisor.

**9.10.21 VeREF+/DAC0**



(1) If the reference of DAC0 is taken from pin Ve<sub>REF+</sub>/DAC0, unpredictable voltage levels will be on pin. In this situation, the DAC0 output is fed back to its own reference input.

### 9.10.22 JTAG Pins TMS, TCK, TDI/TCLK, TDO/TDI, Input/Output With Schmitt Trigger or Output

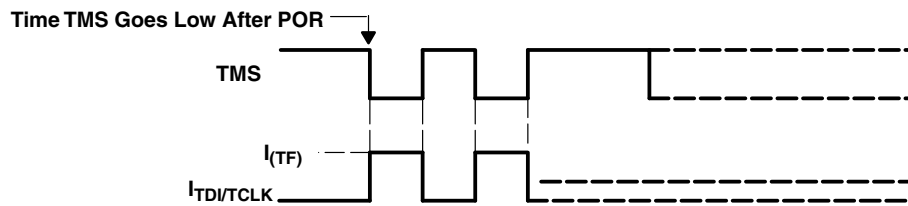


### 9.10.23 JTAG Fuse Check Mode

MSP430 devices that have the fuse on the TDI/TCLK terminal have a fuse check mode that tests the continuity of the fuse the first time the JTAG port is accessed after a power-on reset (POR). When activated, a fuse check current ( $I_{(TF)}$ ) of 1 mA at 3 V can flow from the TDI/TCLK pin to ground if the fuse is not burned. Care must be taken to avoid accidentally activating the fuse check mode and increasing overall system power consumption.

Activation of the fuse check mode occurs with the first negative edge on the TMS pin after power up or if the TMS is being held low during power up. The second positive edge on the TMS pin deactivates the fuse check mode. After deactivation, the fuse check mode remains inactive until another POR occurs. After each POR the fuse check mode has the potential to be activated.

The fuse check current only flows when the fuse check mode is active and the TMS pin is in a low state (see [Figure 9-8](#)). Therefore, the additional current flow can be prevented by holding the TMS pin high (default condition). The JTAG pins are terminated internally and therefore do not require external termination.



**Figure 9-8. Fuse Check Mode Current**

## 10 Device and Documentation Support

### 10.1 Device Support

#### 10.1.1 Development Support

TI offers an extensive line of development tools, including tools to evaluate the performance of the processors, generate code, develop algorithm implementations, and fully integrate and debug software and hardware modules. The tool's support documentation is electronically available within the Code Composer Studio™ Integrated Development Environment (IDE).

The following products support development of the MSP430FG43x device applications:

**Software Development Tools:** Code Composer Studio™ Integrated Development Environment (IDE): including Editor C/C++/Assembly Code Generation, and Debug plus additional development tools.

For a complete listing of development-support tools for the MSP430FG43x platform, visit the Texas Instruments website at [www.ti.com](http://www.ti.com). For information on pricing and availability, contact the nearest TI field sales office or authorized distributor.

##### 10.1.1.1 Development Kit

The [MSP-FET430U80](#) is a powerful flash emulation tool that includes the hardware and software required to quickly begin application development on the MSP430 MCU. It includes a ZIF socket target board and a USB debugging interface (MSP-FET) used to program and debug the MSP430 in-system through the JTAG interface or the pin saving Spy Bi-Wire (2-wire JTAG) protocol. The flash memory can be erased and programmed in seconds with only a few keystrokes, and because the MSP430 flash is ultra-low power, no external power supply is required.

The debugging tool interfaces the MSP430 to the included integrated software environment and includes code to start your design immediately.

#### 10.1.2 Device Nomenclature

To designate the stages in the product development cycle, TI assigns prefixes to the part numbers of all MSP MCU devices. Each MSP MCU commercial family member has one of two prefixes: MSP or XMS. These prefixes represent evolutionary stages of product development from engineering prototypes (XMS) through fully qualified production devices (MSP).

**XMS** – Experimental device that is not necessarily representative of the final device's electrical specifications

**MSP** – Fully qualified production device

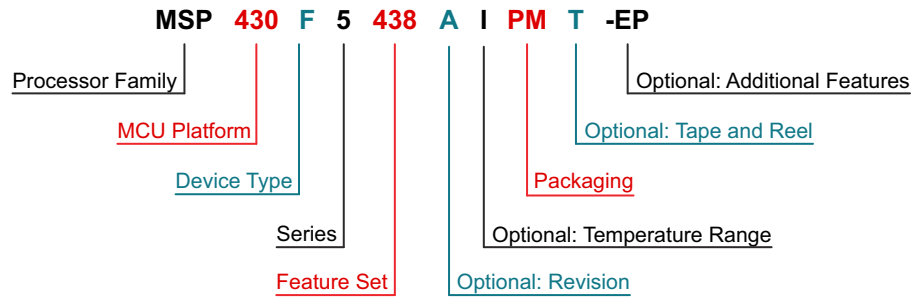
XMS devices are shipped against the following disclaimer:

"Developmental product is intended for internal evaluation purposes."

MSP devices have been characterized fully, and the quality and reliability of the device have been demonstrated fully. TI's standard warranty applies.

Predictions show that prototype devices (XMS) have a greater failure rate than the standard production devices. TI recommends that these devices not be used in any production system because their expected end-use failure rate still is undefined. Only qualified production devices are to be used.

TI device nomenclature also includes a suffix with the device family name. This suffix indicates the temperature range, package type, and distribution format. [Figure 10-1](#) provides a legend for reading the complete device name.



|   |  |   |   |
|---|--|---|---|
| <b>Processor Family</b>   | CC = Embedded RF Radio<br>MSP = Mixed-Signal Processor<br>XMS = Experimental Silicon<br>PMS = Prototype Device   |   |   |
| <b>MCU Platform</b>   | 430 = MSP430 low-power microcontroller platform  |   |   |
| <b>Device Type</b>  | <table border="0" style="width: 100%;"> <tr> <td style="vertical-align: top;"><b>Memory Type</b><br/>C = ROM<br/>F = Flash<br/>FR = FRAM<br/>G = Flash<br/>L = No nonvolatile memory</td> <td style="vertical-align: top;"><b>Specialized Application</b><br/>AFE = Analog front end<br/>BQ = Contactless power<br/>CG = ROM medical<br/>FE = Flash energy meter<br/>FG = Flash medical<br/>FW = Flash electronic flow meter</td> </tr> </table> | <b>Memory Type</b><br>C = ROM<br>F = Flash<br>FR = FRAM<br>G = Flash<br>L = No nonvolatile memory | <b>Specialized Application</b><br>AFE = Analog front end<br>BQ = Contactless power<br>CG = ROM medical<br>FE = Flash energy meter<br>FG = Flash medical<br>FW = Flash electronic flow meter |
| <b>Memory Type</b><br>C = ROM<br>F = Flash<br>FR = FRAM<br>G = Flash<br>L = No nonvolatile memory | <b>Specialized Application</b><br>AFE = Analog front end<br>BQ = Contactless power<br>CG = ROM medical<br>FE = Flash energy meter<br>FG = Flash medical<br>FW = Flash electronic flow meter  |   |   |
| <b>Series</b>   | <table border="0" style="width: 100%;"> <tr> <td style="vertical-align: top;">1 = Up to 8 MHz<br/>2 = Up to 16 MHz<br/>3 = Legacy<br/>4 = Up to 16 MHz with LCD driver</td> <td style="vertical-align: top;">5 = Up to 25 MHz<br/>6 = Up to 25 MHz with LCD driver<br/>0 = Low-voltage series</td> </tr> </table>  | 1 = Up to 8 MHz<br>2 = Up to 16 MHz<br>3 = Legacy<br>4 = Up to 16 MHz with LCD driver             | 5 = Up to 25 MHz<br>6 = Up to 25 MHz with LCD driver<br>0 = Low-voltage series  |
| 1 = Up to 8 MHz<br>2 = Up to 16 MHz<br>3 = Legacy<br>4 = Up to 16 MHz with LCD driver             | 5 = Up to 25 MHz<br>6 = Up to 25 MHz with LCD driver<br>0 = Low-voltage series   |   |   |
| <b>Feature Set</b>  | Various levels of integration within a series  |   |   |
| <b>Optional: Revision</b>   | Updated version of the base part number  |   |   |
| <b>Optional: Temperature Range</b>  | S = 0°C to 50°C<br>C = 0°C to 70°C<br>I = -40°C to 85°C<br>T = -40°C to 105°C  |   |   |
| <b>Packaging</b>  | <a href="http://www.ti.com/packaging">http://www.ti.com/packaging</a>  |   |   |
| <b>Optional: Tape and Reel</b>  | T = Small reel<br>R = Large reel<br>No markings = Tube or tray   |   |   |
| <b>Optional: Additional Features</b>  | -EP = Enhanced product (-40°C to 105°C)<br>-HT = Extreme temperature parts (-55°C to 150°C)<br>-Q1 = Automotive Q100 qualified   |   |   |

**Figure 10-1. Device Nomenclature**

## 10.2 Documentation Support

The following documents describe the MSP430FG43x microcontrollers. Copies of these documents are available on the Internet at [www.ti.com](http://www.ti.com).

### [MSP430x4xx Family User's Guide](#)

Detailed description of all modules and peripherals available in this device family.

### [MSP430FG439 Microcontroller Errata](#)

Describes the known exceptions to the functional specifications for all silicon revisions of this device.

### [MSP430FG438 Microcontroller Errata](#)

Describes the known exceptions to the functional specifications for all silicon revisions of this device.

### [MSP430FG437 Microcontroller Errata](#)

Describes the known exceptions to the functional specifications for all silicon revisions of this device.

## 10.3 Support Resources

[TI E2E™ support forums](#) are an engineer's go-to source for fast, verified answers and design help — straight from the experts. Search existing answers or ask your own question to get the quick design help you need.

[MSP Academy](#) is a starting point for all developers to learn about the MSP430 MCU Platform, which provides affordable solutions for many applications. MSP Academy delivers easy-to-use training modules that span a wide range of topics and LaunchPad development kits in the MSP430 MCU portfolio.

Linked content is provided "AS IS" by the respective contributors. They do not constitute TI specifications and do not necessarily reflect TI's views; see TI's [Terms of Use](#).

## 10.4 Trademarks

MSP430™ and TI E2E™ are trademarks of Texas Instruments.  
All trademarks are the property of their respective owners.

## 10.5 Electrostatic Discharge Caution



This integrated circuit can be damaged by ESD. Texas Instruments recommends that all integrated circuits be handled with appropriate precautions. Failure to observe proper handling and installation procedures can cause damage.

ESD damage can range from subtle performance degradation to complete device failure. Precision integrated circuits may be more susceptible to damage because very small parametric changes could cause the device not to meet its published specifications.

## 10.6 Glossary

[TI Glossary](#) This glossary lists and explains terms, acronyms, and definitions.

## **11 Mechanical Packaging and Orderable Information**

### **11.1 Packaging Information**

The following pages include mechanical packaging and orderable information. This information is the most current data available for the designated devices. This data is subject to change without notice and revision of this document. For browser-based versions of this data sheet, refer to the left-hand navigation.

**PACKAGING INFORMATION**

| Orderable part number            | Status<br>(1) | Material type<br>(2) | Package   Pins    | Package qty   Carrier   | RoHS<br>(3) | Lead finish/<br>Ball material<br>(4) | MSL rating/<br>Peak reflow<br>(5) | Op temp (°C) | Part marking<br>(6) |
|----------------------------------|---------------|----------------------|-------------------|-------------------------|-------------|--------------------------------------|-----------------------------------|--------------|---------------------|
| <a href="#">MSP430FG437IPN</a>   | Active        | Production           | LQFP (PN)   80    | 119   JEDEC TRAY (10+1) | Yes         | NIPDAU                               | Level-3-260C-168 HR               | -40 to 85    | M430FG437           |
| MSP430FG437IPN.A                 | Active        | Production           | LQFP (PN)   80    | 119   JEDEC TRAY (10+1) | Yes         | NIPDAU                               | Level-3-260C-168 HR               | -40 to 85    | M430FG437           |
| MSP430FG437IPN.B                 | Active        | Production           | LQFP (PN)   80    | 119   JEDEC TRAY (10+1) | Yes         | NIPDAU                               | Level-3-260C-168 HR               | -40 to 85    | M430FG437           |
| <a href="#">MSP430FG437IPNR</a>  | Active        | Production           | LQFP (PN)   80    | 1000   LARGE T&R        | Yes         | NIPDAU                               | Level-3-260C-168 HR               | -40 to 85    | M430FG437           |
| MSP430FG437IPNR.A                | Active        | Production           | LQFP (PN)   80    | 1000   LARGE T&R        | Yes         | NIPDAU                               | Level-3-260C-168 HR               | -40 to 85    | M430FG437           |
| MSP430FG437IPNR.B                | Active        | Production           | LQFP (PN)   80    | 1000   LARGE T&R        | Yes         | NIPDAU                               | Level-3-260C-168 HR               | -40 to 85    | M430FG437           |
| <a href="#">MSP430FG437IZCAR</a> | Active        | Production           | NFBGA (ZCA)   113 | 2500   LARGE T&R        | Yes         | SNAGCU                               | Level-3-260C-168 HR               | -40 to 85    | FG437               |
| MSP430FG437IZCAR.A               | Active        | Production           | NFBGA (ZCA)   113 | 2500   LARGE T&R        | Yes         | SNAGCU                               | Level-3-260C-168 HR               | -40 to 85    | FG437               |
| MSP430FG437IZCAR.B               | Active        | Production           | NFBGA (ZCA)   113 | 2500   LARGE T&R        | Yes         | SNAGCU                               | Level-3-260C-168 HR               | -40 to 85    | FG437               |
| <a href="#">MSP430FG437IZCAT</a> | Active        | Production           | NFBGA (ZCA)   113 | 250   SMALL T&R         | Yes         | SNAGCU                               | Level-3-260C-168 HR               | -40 to 85    | FG437               |
| MSP430FG437IZCAT.A               | Active        | Production           | NFBGA (ZCA)   113 | 250   SMALL T&R         | Yes         | SNAGCU                               | Level-3-260C-168 HR               | -40 to 85    | FG437               |
| MSP430FG437IZCAT.B               | Active        | Production           | NFBGA (ZCA)   113 | 250   SMALL T&R         | Yes         | SNAGCU                               | Level-3-260C-168 HR               | -40 to 85    | FG437               |
| <a href="#">MSP430FG438IPN</a>   | Active        | Production           | LQFP (PN)   80    | 119   JEDEC TRAY (10+1) | Yes         | NIPDAU                               | Level-3-260C-168 HR               | -40 to 85    | M430FG438           |
| MSP430FG438IPN.A                 | Active        | Production           | LQFP (PN)   80    | 119   JEDEC TRAY (10+1) | Yes         | NIPDAU                               | Level-3-260C-168 HR               | -40 to 85    | M430FG438           |
| MSP430FG438IPN.B                 | Active        | Production           | LQFP (PN)   80    | 119   JEDEC TRAY (10+1) | Yes         | NIPDAU                               | Level-3-260C-168 HR               | -40 to 85    | M430FG438           |
| <a href="#">MSP430FG438IPNR</a>  | Active        | Production           | LQFP (PN)   80    | 1000   LARGE T&R        | Yes         | NIPDAU                               | Level-3-260C-168 HR               | -40 to 85    | M430FG438           |
| MSP430FG438IPNR.A                | Active        | Production           | LQFP (PN)   80    | 1000   LARGE T&R        | Yes         | NIPDAU                               | Level-3-260C-168 HR               | -40 to 85    | M430FG438           |
| MSP430FG438IPNR.B                | Active        | Production           | LQFP (PN)   80    | 1000   LARGE T&R        | Yes         | NIPDAU                               | Level-3-260C-168 HR               | -40 to 85    | M430FG438           |
| <a href="#">MSP430FG438IZCAR</a> | Active        | Production           | NFBGA (ZCA)   113 | 2500   LARGE T&R        | Yes         | SNAGCU                               | Level-3-260C-168 HR               | -40 to 85    | FG438               |
| MSP430FG438IZCAR.A               | Active        | Production           | NFBGA (ZCA)   113 | 2500   LARGE T&R        | Yes         | SNAGCU                               | Level-3-260C-168 HR               | -40 to 85    | FG438               |
| MSP430FG438IZCAR.B               | Active        | Production           | NFBGA (ZCA)   113 | 2500   LARGE T&R        | Yes         | SNAGCU                               | Level-3-260C-168 HR               | -40 to 85    | FG438               |
| <a href="#">MSP430FG438IZCAT</a> | Active        | Production           | NFBGA (ZCA)   113 | 250   SMALL T&R         | Yes         | SNAGCU                               | Level-3-260C-168 HR               | -40 to 85    | FG438               |
| MSP430FG438IZCAT.A               | Active        | Production           | NFBGA (ZCA)   113 | 250   SMALL T&R         | Yes         | SNAGCU                               | Level-3-260C-168 HR               | -40 to 85    | FG438               |
| MSP430FG438IZCAT.B               | Active        | Production           | NFBGA (ZCA)   113 | 250   SMALL T&R         | Yes         | SNAGCU                               | Level-3-260C-168 HR               | -40 to 85    | FG438               |

| Orderable part number            | Status<br>(1) | Material type<br>(2) | Package   Pins    | Package qty   Carrier  | RoHS<br>(3) | Lead finish/<br>Ball material<br>(4) | MSL rating/<br>Peak reflow<br>(5) | Op temp (°C) | Part marking<br>(6) |
|----------------------------------|---------------|----------------------|-------------------|------------------------|-------------|--------------------------------------|-----------------------------------|--------------|---------------------|
| <a href="#">MSP430FG439IPN</a>   | Active        | Production           | LQFP (PN)   80    | 119   JEDEC TRAY (5+1) | Yes         | NIPDAU                               | Level-3-260C-168 HR               | -40 to 85    | M430FG439           |
| MSP430FG439IPN.A                 | Active        | Production           | LQFP (PN)   80    | 119   JEDEC TRAY (5+1) | Yes         | NIPDAU                               | Level-3-260C-168 HR               | -40 to 85    | M430FG439           |
| MSP430FG439IPN.B                 | Active        | Production           | LQFP (PN)   80    | 119   JEDEC TRAY (5+1) | Yes         | NIPDAU                               | Level-3-260C-168 HR               | -40 to 85    | M430FG439           |
| <a href="#">MSP430FG439IPNR</a>  | Active        | Production           | LQFP (PN)   80    | 1000   LARGE T&R       | Yes         | NIPDAU                               | Level-3-260C-168 HR               | -40 to 85    | M430FG439           |
| MSP430FG439IPNR.A                | Active        | Production           | LQFP (PN)   80    | 1000   LARGE T&R       | Yes         | NIPDAU                               | Level-3-260C-168 HR               | -40 to 85    | M430FG439           |
| MSP430FG439IPNR.B                | Active        | Production           | LQFP (PN)   80    | 1000   LARGE T&R       | Yes         | NIPDAU                               | Level-3-260C-168 HR               | -40 to 85    | M430FG439           |
| <a href="#">MSP430FG439IZCAR</a> | Active        | Production           | NFBGA (ZCA)   113 | 2500   LARGE T&R       | Yes         | SNAGCU                               | Level-3-260C-168 HR               | -40 to 85    | FG439               |
| MSP430FG439IZCAR.A               | Active        | Production           | NFBGA (ZCA)   113 | 2500   LARGE T&R       | Yes         | SNAGCU                               | Level-3-260C-168 HR               | -40 to 85    | FG439               |
| MSP430FG439IZCAR.B               | Active        | Production           | NFBGA (ZCA)   113 | 2500   LARGE T&R       | Yes         | SNAGCU                               | Level-3-260C-168 HR               | -40 to 85    | FG439               |
| <a href="#">MSP430FG439IZCAT</a> | Active        | Production           | NFBGA (ZCA)   113 | 250   SMALL T&R        | Yes         | SNAGCU                               | Level-3-260C-168 HR               | -40 to 85    | FG439               |
| MSP430FG439IZCAT.A               | Active        | Production           | NFBGA (ZCA)   113 | 250   SMALL T&R        | Yes         | SNAGCU                               | Level-3-260C-168 HR               | -40 to 85    | FG439               |
| MSP430FG439IZCAT.B               | Active        | Production           | NFBGA (ZCA)   113 | 250   SMALL T&R        | Yes         | SNAGCU                               | Level-3-260C-168 HR               | -40 to 85    | FG439               |

(1) **Status:** For more details on status, see our [product life cycle](#).

(2) **Material type:** When designated, preproduction parts are prototypes/experimental devices, and are not yet approved or released for full production. Testing and final process, including without limitation quality assurance, reliability performance testing, and/or process qualification, may not yet be complete, and this item is subject to further changes or possible discontinuation. If available for ordering, purchases will be subject to an additional waiver at checkout, and are intended for early internal evaluation purposes only. These items are sold without warranties of any kind.

(3) **RoHS values:** Yes, No, RoHS Exempt. See the [TI RoHS Statement](#) for additional information and value definition.

(4) **Lead finish/Ball material:** Parts may have multiple material finish options. Finish options are separated by a vertical ruled line. Lead finish/Ball material values may wrap to two lines if the finish value exceeds the maximum column width.

(5) **MSL rating/Peak reflow:** The moisture sensitivity level ratings and peak solder (reflow) temperatures. In the event that a part has multiple moisture sensitivity ratings, only the lowest level per JEDEC standards is shown. Refer to the shipping label for the actual reflow temperature that will be used to mount the part to the printed circuit board.

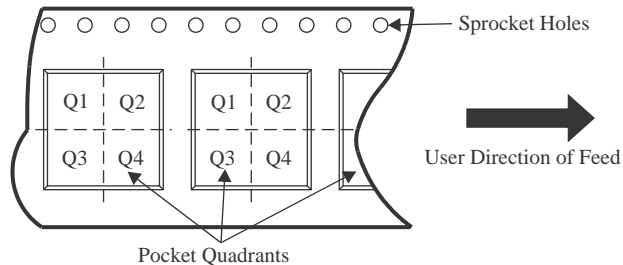
(6) **Part marking:** There may be an additional marking, which relates to the logo, the lot trace code information, or the environmental category of the part.

Multiple part markings will be inside parentheses. Only one part marking contained in parentheses and separated by a "~" will appear on a part. If a line is indented then it is a continuation of the previous line and the two combined represent the entire part marking for that device.

**Important Information and Disclaimer:** The information provided on this page represents TI's knowledge and belief as of the date that it is provided. TI bases its knowledge and belief on information provided by third parties, and makes no representation or warranty as to the accuracy of such information. Efforts are underway to better integrate information from third parties. TI has taken and continues to take reasonable steps to provide representative and accurate information but may not have conducted destructive testing or chemical analysis on incoming materials and chemicals. TI and TI suppliers consider certain information to be proprietary, and thus CAS numbers and other limited information may not be available for release.

In no event shall TI's liability arising out of such information exceed the total purchase price of the TI part(s) at issue in this document sold by TI to Customer on an annual basis.

**TAPE AND REEL INFORMATION**

**QUADRANT ASSIGNMENTS FOR PIN 1 ORIENTATION IN TAPE**


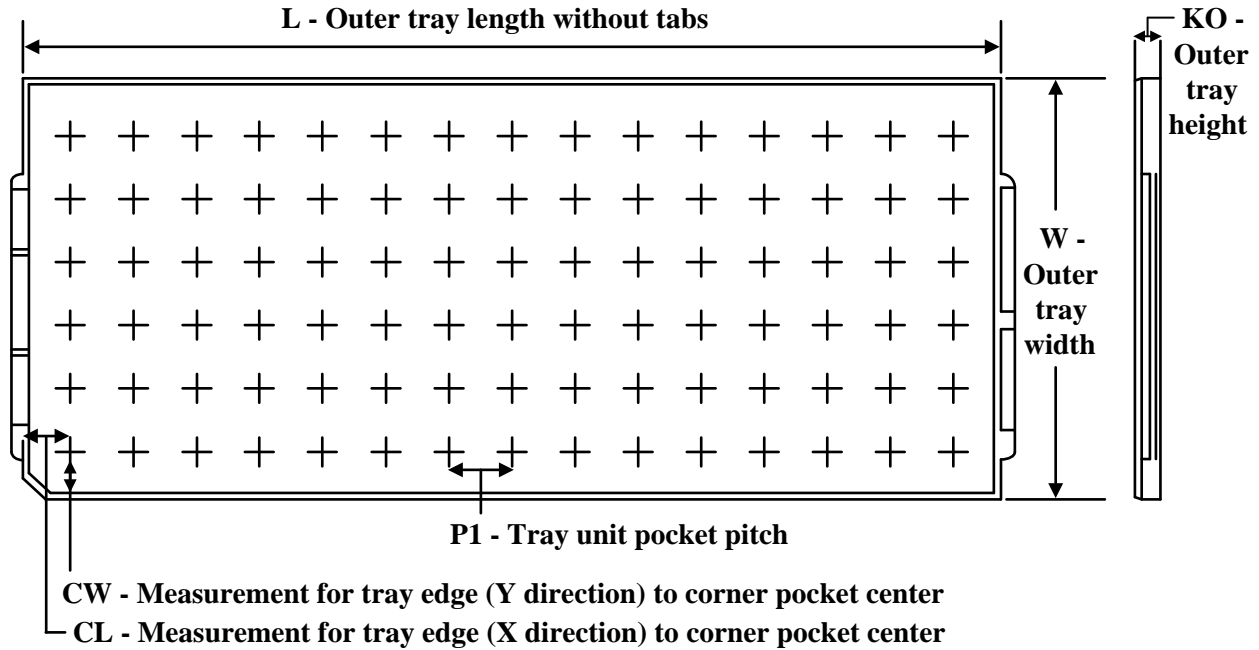
\*All dimensions are nominal

| Device           | Package Type | Package Drawing | Pins | SPQ  | Reel Diameter (mm) | Reel Width W1 (mm) | A0 (mm) | B0 (mm) | K0 (mm) | P1 (mm) | W (mm) | Pin1 Quadrant |
|------------------|--------------|-----------------|------|------|--------------------|--------------------|---------|---------|---------|---------|--------|---------------|
| MSP430FG437IPNR  | LQFP         | PN              | 80   | 1000 | 330.0              | 24.4               | 15.0    | 15.0    | 2.1     | 20.0    | 24.0   | Q2            |
| MSP430FG437IZCAR | NFBGA        | ZCA             | 113  | 2500 | 330.0              | 16.4               | 7.3     | 7.3     | 1.5     | 12.0    | 16.0   | Q1            |
| MSP430FG437IZCAT | NFBGA        | ZCA             | 113  | 250  | 330.0              | 16.4               | 7.3     | 7.3     | 1.5     | 12.0    | 16.0   | Q1            |
| MSP430FG438IPNR  | LQFP         | PN              | 80   | 1000 | 330.0              | 24.4               | 15.0    | 15.0    | 2.1     | 20.0    | 24.0   | Q2            |
| MSP430FG438IZCAR | NFBGA        | ZCA             | 113  | 2500 | 330.0              | 16.4               | 7.3     | 7.3     | 1.5     | 12.0    | 16.0   | Q1            |
| MSP430FG438IZCAT | NFBGA        | ZCA             | 113  | 250  | 330.0              | 16.4               | 7.3     | 7.3     | 1.5     | 12.0    | 16.0   | Q1            |
| MSP430FG439IPNR  | LQFP         | PN              | 80   | 1000 | 330.0              | 24.4               | 15.0    | 15.0    | 2.1     | 20.0    | 24.0   | Q2            |
| MSP430FG439IZCAT | NFBGA        | ZCA             | 113  | 250  | 330.0              | 16.4               | 7.3     | 7.3     | 1.5     | 12.0    | 16.0   | Q1            |

**TAPE AND REEL BOX DIMENSIONS**


\*All dimensions are nominal

| Device           | Package Type | Package Drawing | Pins | SPQ  | Length (mm) | Width (mm) | Height (mm) |
|------------------|--------------|-----------------|------|------|-------------|------------|-------------|
| MSP430FG437IPNR  | LQFP         | PN              | 80   | 1000 | 367.0       | 367.0      | 45.0        |
| MSP430FG437IZCAR | NFBGA        | ZCA             | 113  | 2500 | 341.0       | 336.6      | 31.8        |
| MSP430FG437IZCAT | NFBGA        | ZCA             | 113  | 250  | 341.0       | 336.6      | 31.8        |
| MSP430FG438IPNR  | LQFP         | PN              | 80   | 1000 | 367.0       | 367.0      | 45.0        |
| MSP430FG438IZCAR | NFBGA        | ZCA             | 113  | 2500 | 341.0       | 336.6      | 31.8        |
| MSP430FG438IZCAT | NFBGA        | ZCA             | 113  | 250  | 341.0       | 336.6      | 31.8        |
| MSP430FG439IPNR  | LQFP         | PN              | 80   | 1000 | 367.0       | 367.0      | 45.0        |
| MSP430FG439IZCAT | NFBGA        | ZCA             | 113  | 250  | 341.0       | 336.6      | 31.8        |

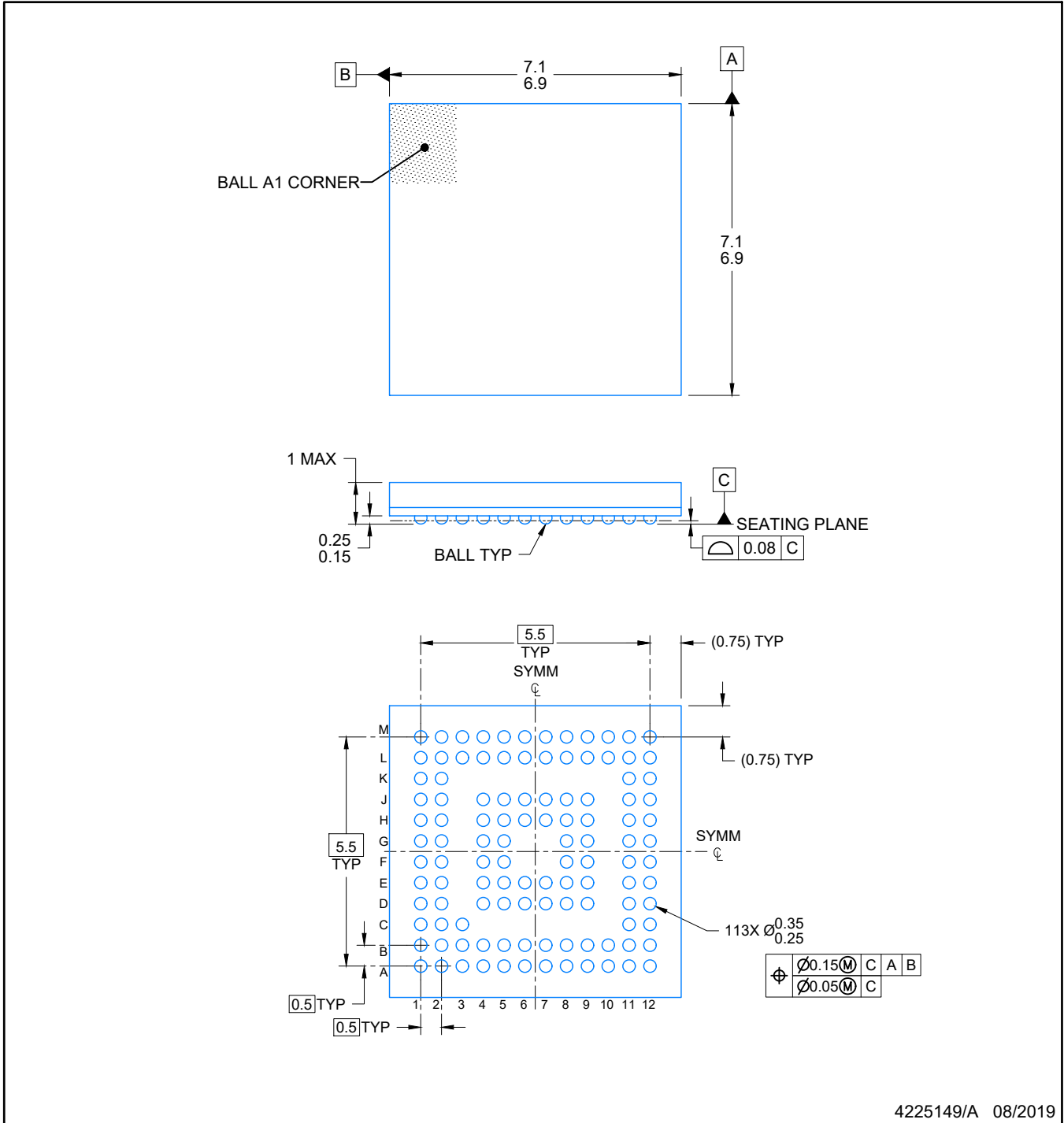
**TRAY**


Chamfer on Tray corner indicates Pin 1 orientation of packed units.

\*All dimensions are nominal

| Device             | Package Name | Package Type | Pins | SPQ  | Unit array matrix | Max temperature (°C) | L (mm) | W (mm) | K0 (µm) | P1 (mm) | CL (mm) | CW (mm) |
|--------------------|--------------|--------------|------|------|-------------------|----------------------|--------|--------|---------|---------|---------|---------|
| MSP430FG437IPN     | PN           | LQFP         | 80   | 119  | 7x17              | 180                  | 315    | 135.9  | 7620    | 17.9    | 14.3    | 13.95   |
| MSP430FG437IPN.A   | PN           | LQFP         | 80   | 119  | 7x17              | 180                  | 315    | 135.9  | 7620    | 17.9    | 14.3    | 13.95   |
| MSP430FG437IPN.B   | PN           | LQFP         | 80   | 119  | 7x17              | 180                  | 315    | 135.9  | 7620    | 17.9    | 14.3    | 13.95   |
| MSP430FG437IZCAR   | ZCA          | NFBGA        | 113  | 2500 | 10 x 26           | 150                  | 315    | 135.9  | 7620    | 11.8    | 10      | 10.35   |
| MSP430FG437IZCAR   | ZCA          | NFBGA        | 113  | 2500 | 10 x 26           | 150                  | 315    | 135.9  | 7620    | 11.8    | 10      | 10.35   |
| MSP430FG437IZCAR.A | ZCA          | NFBGA        | 113  | 2500 | 10 x 26           | 150                  | 315    | 135.9  | 7620    | 11.8    | 10      | 10.35   |
| MSP430FG437IZCAR.A | ZCA          | NFBGA        | 113  | 2500 | 10 x 26           | 150                  | 315    | 135.9  | 7620    | 11.8    | 10      | 10.35   |
| MSP430FG437IZCAR.B | ZCA          | NFBGA        | 113  | 2500 | 10 x 26           | 150                  | 315    | 135.9  | 7620    | 11.8    | 10      | 10.35   |
| MSP430FG437IZCAR.B | ZCA          | NFBGA        | 113  | 2500 | 10 x 26           | 150                  | 315    | 135.9  | 7620    | 11.8    | 10      | 10.35   |
| MSP430FG437IZCAT   | ZCA          | NFBGA        | 113  | 250  | 10 x 26           | 150                  | 315    | 135.9  | 7620    | 11.8    | 10      | 10.35   |
| MSP430FG437IZCAT.A | ZCA          | NFBGA        | 113  | 250  | 10 x 26           | 150                  | 315    | 135.9  | 7620    | 11.8    | 10      | 10.35   |
| MSP430FG437IZCAT.B | ZCA          | NFBGA        | 113  | 250  | 10 x 26           | 150                  | 315    | 135.9  | 7620    | 11.8    | 10      | 10.35   |
| MSP430FG438IPN     | PN           | LQFP         | 80   | 119  | 7x17              | 180                  | 315    | 135.9  | 7620    | 17.9    | 14.3    | 13.95   |
| MSP430FG438IPN.A   | PN           | LQFP         | 80   | 119  | 7x17              | 180                  | 315    | 135.9  | 7620    | 17.9    | 14.3    | 13.95   |
| MSP430FG438IPN.B   | PN           | LQFP         | 80   | 119  | 7x17              | 180                  | 315    | 135.9  | 7620    | 17.9    | 14.3    | 13.95   |
| MSP430FG438IZCAR   | ZCA          | NFBGA        | 113  | 2500 | 10 x 26           | 150                  | 315    | 135.9  | 7620    | 11.8    | 10      | 10.35   |
| MSP430FG438IZCAR.A | ZCA          | NFBGA        | 113  | 2500 | 10 x 26           | 150                  | 315    | 135.9  | 7620    | 11.8    | 10      | 10.35   |

| Device             | Package Name | Package Type | Pins | SPQ  | Unit array matrix | Max temperature (°C) | L (mm) | W (mm) | K0 (µm) | P1 (mm) | CL (mm) | CW (mm) |
|--------------------|--------------|--------------|------|------|-------------------|----------------------|--------|--------|---------|---------|---------|---------|
| MSP430FG438IZCAR.B | ZCA          | NFBGA        | 113  | 2500 | 10 x 26           | 150                  | 315    | 135.9  | 7620    | 11.8    | 10      | 10.35   |
| MSP430FG438IZCAT   | ZCA          | NFBGA        | 113  | 250  | 10 x 26           | 150                  | 315    | 135.9  | 7620    | 11.8    | 10      | 10.35   |
| MSP430FG438IZCAT.A | ZCA          | NFBGA        | 113  | 250  | 10 x 26           | 150                  | 315    | 135.9  | 7620    | 11.8    | 10      | 10.35   |
| MSP430FG438IZCAT.B | ZCA          | NFBGA        | 113  | 250  | 10 x 26           | 150                  | 315    | 135.9  | 7620    | 11.8    | 10      | 10.35   |
| MSP430FG439IPN     | PN           | LQFP         | 80   | 119  | 7x17              | 180                  | 315    | 135.9  | 7620    | 17.9    | 14.3    | 13.95   |
| MSP430FG439IPN.A   | PN           | LQFP         | 80   | 119  | 7x17              | 180                  | 315    | 135.9  | 7620    | 17.9    | 14.3    | 13.95   |
| MSP430FG439IPN.B   | PN           | LQFP         | 80   | 119  | 7x17              | 180                  | 315    | 135.9  | 7620    | 17.9    | 14.3    | 13.95   |
| MSP430FG439IZCAR   | ZCA          | NFBGA        | 113  | 2500 | 10 x 26           | 150                  | 315    | 135.9  | 7620    | 11.8    | 10      | 10.35   |
| MSP430FG439IZCAT   | ZCA          | NFBGA        | 113  | 2500 | 10 x 26           | 150                  | 315    | 135.9  | 7620    | 11.8    | 10      | 10.35   |
| MSP430FG439IZCAT.A | ZCA          | NFBGA        | 113  | 2500 | 10 x 26           | 150                  | 315    | 135.9  | 7620    | 11.8    | 10      | 10.35   |
| MSP430FG439IZCAT.B | ZCA          | NFBGA        | 113  | 2500 | 10 x 26           | 150                  | 315    | 135.9  | 7620    | 11.8    | 10      | 10.35   |
| MSP430FG439IZCAT   | ZCA          | NFBGA        | 113  | 2500 | 10 x 26           | 150                  | 315    | 135.9  | 7620    | 11.8    | 10      | 10.35   |
| MSP430FG439IZCAT.A | ZCA          | NFBGA        | 113  | 250  | 10 x 26           | 150                  | 315    | 135.9  | 7620    | 11.8    | 10      | 10.35   |
| MSP430FG439IZCAT.B | ZCA          | NFBGA        | 113  | 250  | 10 x 26           | 150                  | 315    | 135.9  | 7620    | 11.8    | 10      | 10.35   |

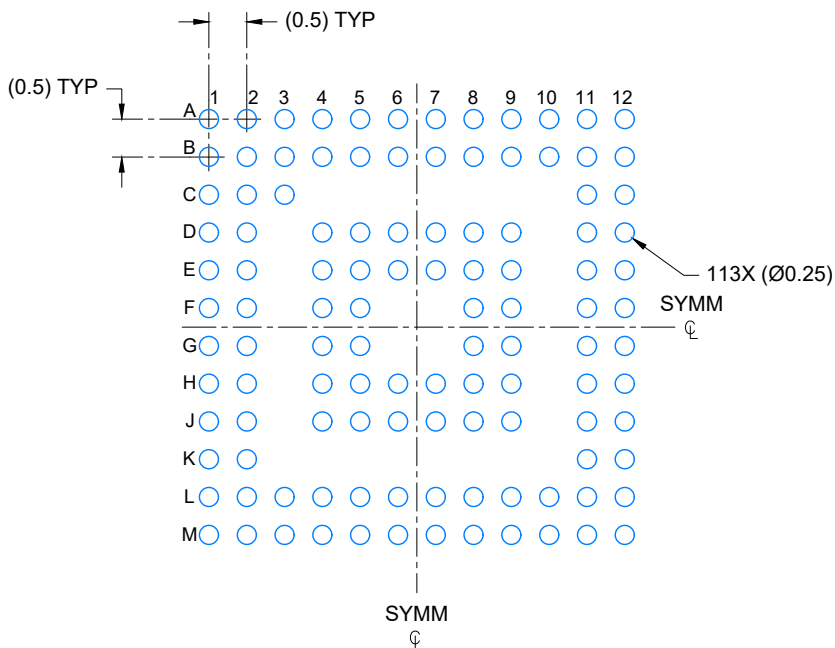


4225149/A 08/2019

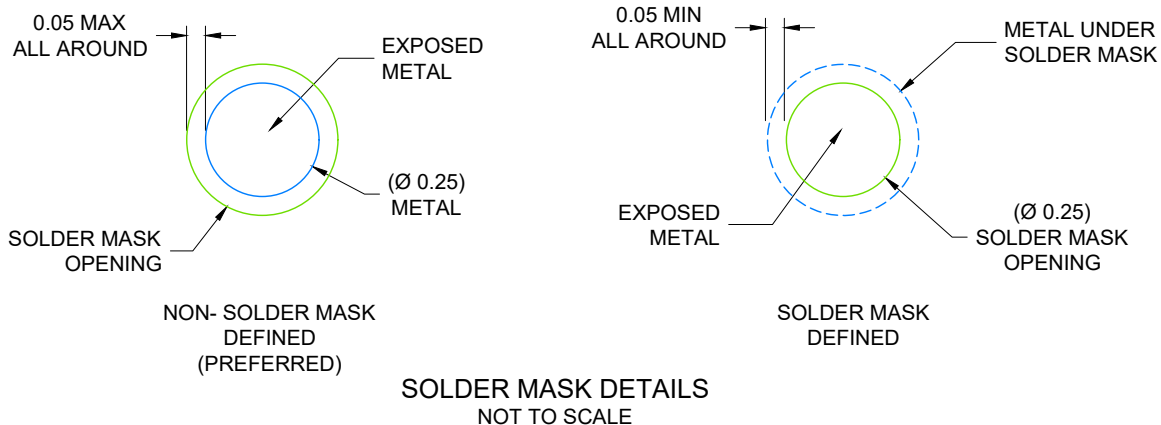
NOTES:

NanoFree is a trademark of Texas Instruments.

1. All linear dimensions are in millimeters. Any dimensions in parenthesis are for reference only. Dimensioning and tolerancing per ASME Y14.5M.
2. This drawing is subject to change without notice.



LAND PATTERN EXAMPLE  
SCALE: 10X



4225149/A 08/2019

NOTES: (continued)

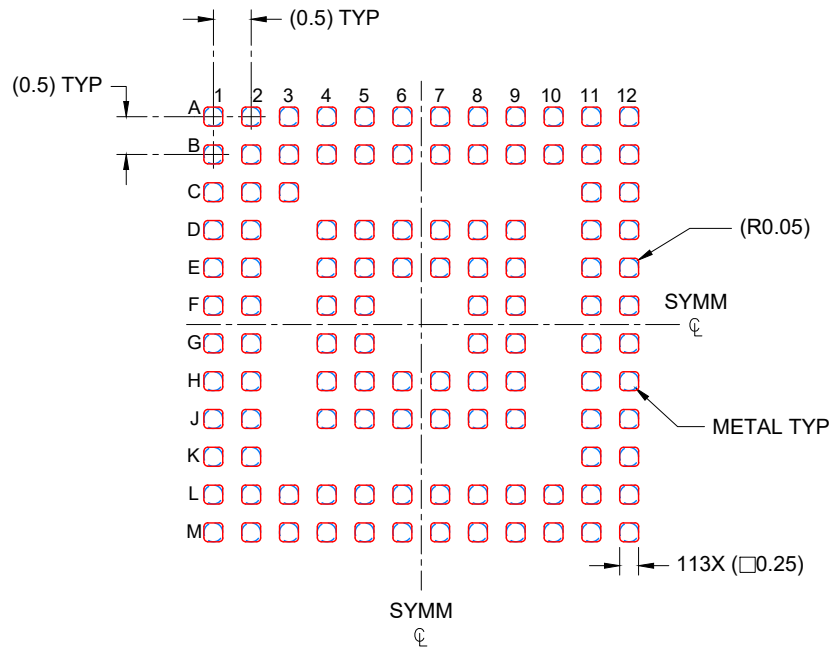
- Final dimensions may vary due to manufacturing tolerance considerations and also routing constraints. Refer to Texas Instruments Literature number SNVA009 ([www.ti.com/lit/snva009](http://www.ti.com/lit/snva009)).

# EXAMPLE STENCIL DESIGN

ZCA0113A

NFBGA - 1 mm max height

PLASTIC BALL GRID ARRAY



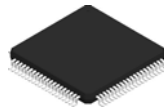
SOLDER PASTE EXAMPLE  
BASED ON 0.100 mm THICK STENCIL  
SCALE: 10X

4225149/A 08/2019

NOTES: (continued)

4. Laser cutting apertures with trapezoidal walls and rounded corners may offer better paste release.

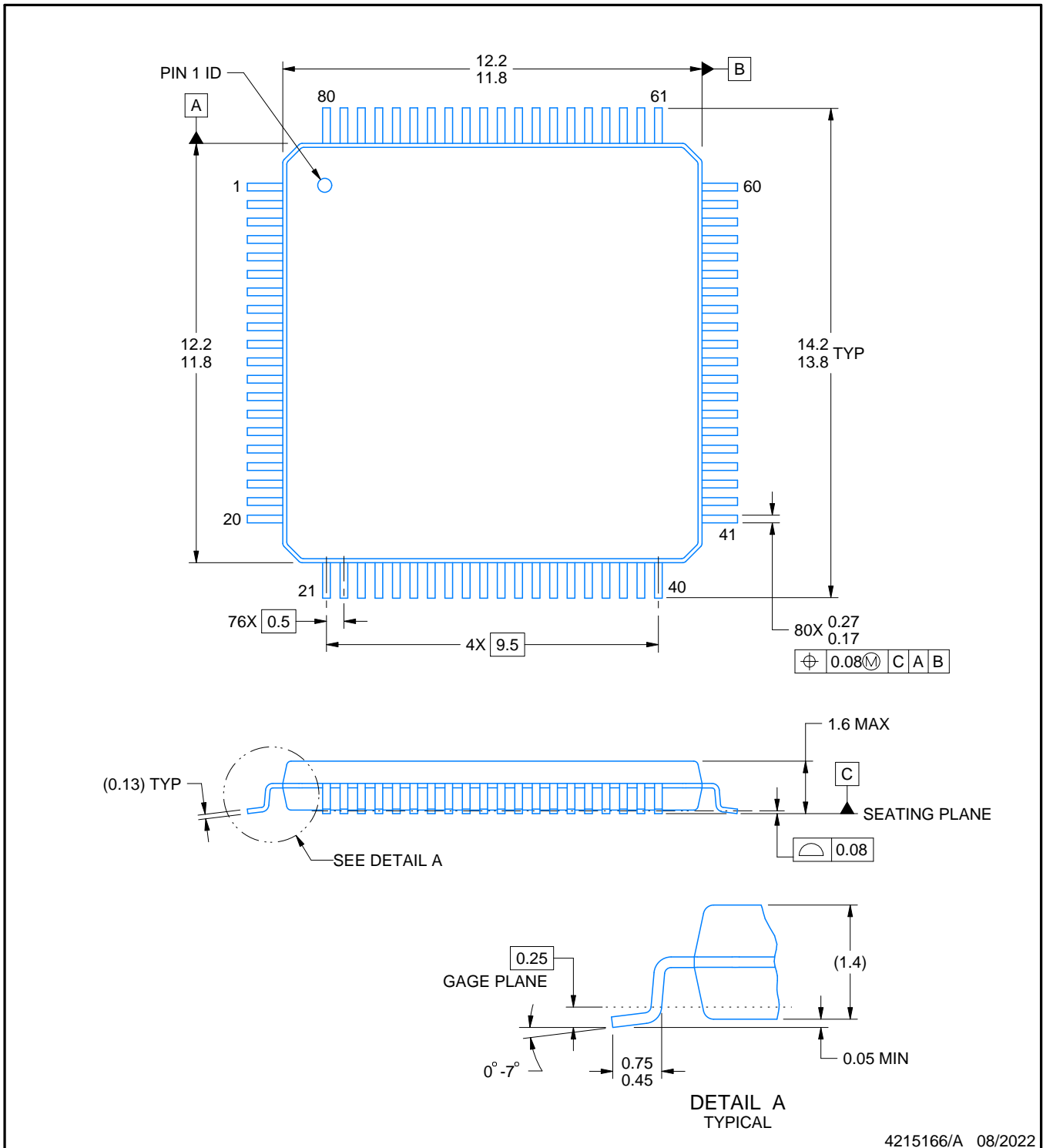
# PN0080A



# PACKAGE OUTLINE

LQFP - 1.6 mm max height

PLASTIC QUAD FLATPACK



4215166/A 08/2022

## NOTES:

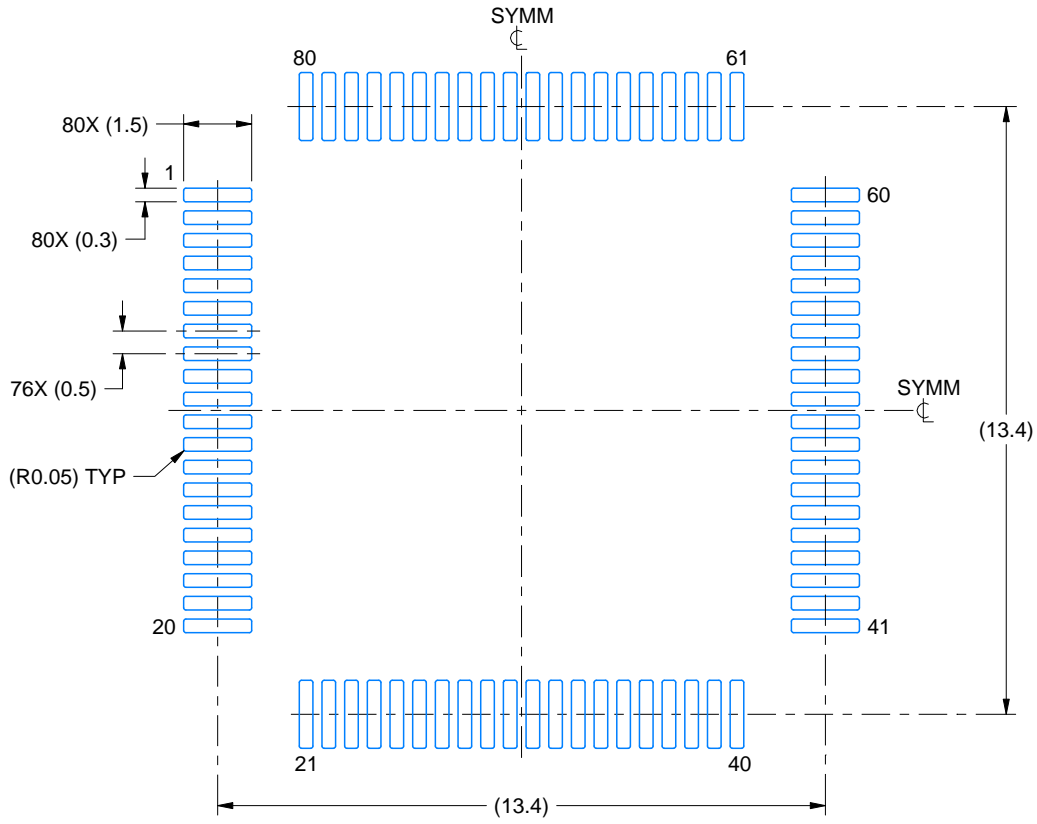
1. All linear dimensions are in millimeters. Any dimensions in parenthesis are for reference only. Dimensioning and tolerancing per ASME Y14.5M.
2. This drawing is subject to change without notice.
3. Reference JEDEC registration MS-026.

# EXAMPLE BOARD LAYOUT

PN0080A

LQFP - 1.6 mm max height

PLASTIC QUAD FLATPACK



LAND PATTERN EXAMPLE  
EXPOSED METAL SHOWN  
SCALE:6X



SOLDER MASK DETAILS

4215166/A 08/2022

NOTES: (continued)

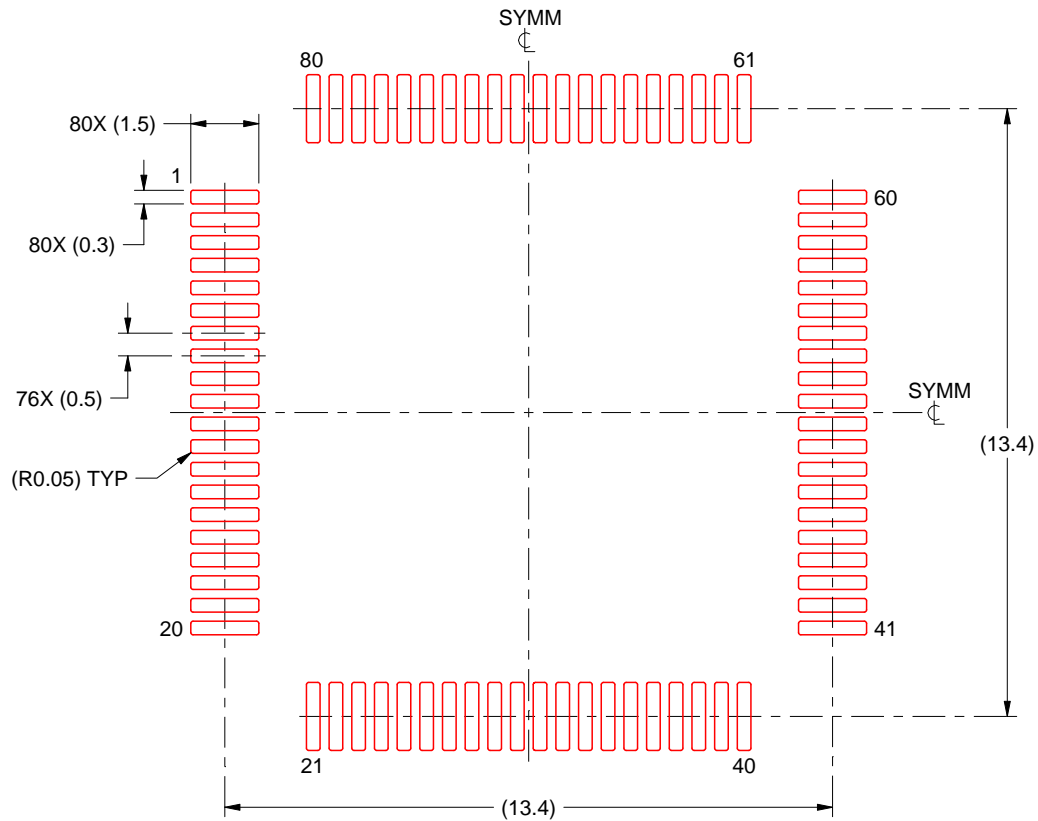
4. Publication IPC-7351 may have alternate designs.
5. Solder mask tolerances between and around signal pads can vary based on board fabrication site.
6. For more information, see Texas Instruments literature number SLMA004 ([www.ti.com/lit/slma004](http://www.ti.com/lit/slma004)).

# EXAMPLE STENCIL DESIGN

PN0080A

LQFP - 1.6 mm max height

PLASTIC QUAD FLATPACK



SOLDER PASTE EXAMPLE  
BASED ON 0.1 mm THICK STENCIL  
SCALE:6X

4215166/A 08/2022

NOTES: (continued)

7. Laser cutting apertures with trapezoidal walls and rounded corners may offer better paste release. IPC-7525 may have alternate design recommendations.
8. Board assembly site may have different recommendations for stencil design.

## IMPORTANT NOTICE AND DISCLAIMER

TI PROVIDES TECHNICAL AND RELIABILITY DATA (INCLUDING DATASHEETS), DESIGN RESOURCES (INCLUDING REFERENCE DESIGNS), APPLICATION OR OTHER DESIGN ADVICE, WEB TOOLS, SAFETY INFORMATION, AND OTHER RESOURCES "AS IS" AND WITH ALL FAULTS, AND DISCLAIMS ALL WARRANTIES, EXPRESS AND IMPLIED, INCLUDING WITHOUT LIMITATION ANY IMPLIED WARRANTIES OF MERCHANTABILITY, FITNESS FOR A PARTICULAR PURPOSE OR NON-INFRINGEMENT OF THIRD PARTY INTELLECTUAL PROPERTY RIGHTS.

These resources are intended for skilled developers designing with TI products. You are solely responsible for (1) selecting the appropriate TI products for your application, (2) designing, validating and testing your application, and (3) ensuring your application meets applicable standards, and any other safety, security, regulatory or other requirements.

These resources are subject to change without notice. TI grants you permission to use these resources only for development of an application that uses the TI products described in the resource. Other reproduction and display of these resources is prohibited. No license is granted to any other TI intellectual property right or to any third party intellectual property right. TI disclaims responsibility for, and you fully indemnify TI and its representatives against any claims, damages, costs, losses, and liabilities arising out of your use of these resources.

TI's products are provided subject to [TI's Terms of Sale](#), [TI's General Quality Guidelines](#), or other applicable terms available either on [ti.com](http://ti.com) or provided in conjunction with such TI products. TI's provision of these resources does not expand or otherwise alter TI's applicable warranties or warranty disclaimers for TI products. Unless TI explicitly designates a product as custom or customer-specified, TI products are standard, catalog, general purpose devices.

TI objects to and rejects any additional or different terms you may propose.

Copyright © 2026, Texas Instruments Incorporated

Last updated 10/2025