

## LM2588 5-A Flyback Regulator With Shutdown

### 1 Features

- Requires Few External Components
- Family of Standard Inductors and Transformers
- NPN Output Switches 5 A, Can Stand Off 65 V
- Wide Input Voltage Range: 4 V to 40 V
- Adjustable Switching Frequency: 100 kHz to 200 kHz
- External Shutdown Capability
- Draws Less Than 60  $\mu$ A When Shut Down
- Frequency Synchronization
- Current-mode Operation for Improved Transient Response, Line Regulation, and Current Limit
- Internal Soft-start Function Reduces In-rush Current During Start-up
- Output Transistor Protected by Current Limit, Undervoltage Lockout, and Thermal Shutdown
- System Output Voltage Tolerance of  $\pm 4\%$  Max Over Line and Load Conditions
- Create a Custom Design Using the LM2588 With the [WEBENCH® Power Designer](#)

### 2 Typical Applications

- Flyback Regulator
- Forward Converter
- Multiple-output Regulator
- Simple Boost Regulator

### 3 Description

The LM2588 series of regulators are monolithic integrated circuits specifically designed for flyback, step-up (boost), and forward converter applications. The device is available in 4 different output voltage versions: 3.3 V, 5 V, 12 V, and adjustable.

Requiring a minimum number of external components, these regulators are cost effective, and simple to use. Included in this data sheet are typical circuits of boost and flyback regulators. Also listed are selector guides for diodes and capacitors and a family of standard inductors and flyback transformers designed to work with these switching regulators.

The power switch is a 5-A NPN device that can stand-off 65 V. Protecting the power switch are current and thermal limiting circuits, and an undervoltage lockout circuit. This IC contains an adjustable frequency oscillator that can be programmed up to 200 kHz. The oscillator can also be synchronized with other devices, so that multiple devices can operate at the same switching frequency.

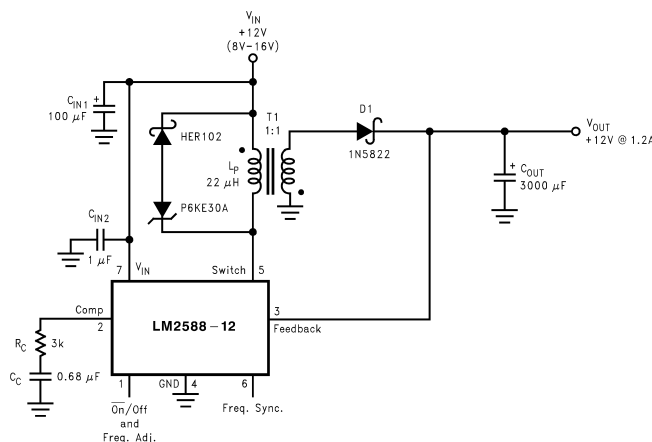
Other features include soft start mode to reduce in-rush current during start up, and current mode control for improved rejection of input voltage and output load transients and cycle-by-cycle current limiting. The device also has a shutdown pin, so that it can be turned off externally. An output voltage tolerance of  $\pm 4\%$ , within specified input voltages and output load conditions, is ensured for the power supply system.

#### Device Information<sup>(1)</sup>

| PART NUMBER | PACKAGE           | BODY SIZE (NOM)      |
|-------------|-------------------|----------------------|
| LM2588      | TO-220 (7)        | 10.1 mm x 8.89 mm    |
|             | DDPAK /TO-263 (7) | 14.986 mm x 10.16 mm |

(1) For all available packages, see the orderable addendum at the end of the data sheet.

#### Flyback Regulator



## Table of Contents

|   |           |  |           |
|---|-----------|--|-----------|
| <b>1 Features</b> .....   | <b>1</b>  | 7.2 Functional Block Diagram .....                               | <b>12</b> |
| <b>2 Typical Applications</b> .....                               | <b>1</b>  | 7.3 Feature Description .....                                    | <b>12</b> |
| <b>3 Description</b> .....  | <b>1</b>  | <b>8 Application and Implementation</b> .....                    | <b>18</b> |
| <b>4 Revision History</b> .....                                   | <b>2</b>  | 8.1 Application Information .....                                | <b>18</b> |
| <b>5 Pin Configurations</b> .....                                 | <b>3</b>  | 8.2 Typical Applications .....                                   | <b>18</b> |
| <b>6 Specifications</b> .....                                     | <b>4</b>  | 8.3 System Examples .....  | <b>28</b> |
| 6.1 Absolute Maximum Ratings .....                                | <b>4</b>  | <b>9 Layout</b> .....  | <b>29</b> |
| 6.2 ESD Ratings .....   | <b>4</b>  | 9.1 Layout Guidelines .....                                      | <b>29</b> |
| 6.3 Recommended Operating Ratings .....                           | <b>4</b>  | 9.2 Layout Example .....   | <b>29</b> |
| 6.4 Electrical Characteristics: 3.3 V .....                       | <b>5</b>  | 9.3 Heat Sink/Thermal Considerations .....                       | <b>29</b> |
| 6.5 Electrical Characteristics: 5 V .....                         | <b>5</b>  | <b>10 Device and Documentation Support</b> .....                 | <b>31</b> |
| 6.6 Electrical Characteristics: 12 V .....                        | <b>6</b>  | 10.1 Device Support .....  | <b>31</b> |
| 6.7 Electrical Characteristics: Adjustable .....                  | <b>6</b>  | 10.2 Receiving Notification of Documentation Updates .....       | <b>31</b> |
| 6.8 Electrical Characteristics: All Output Voltage Versions ..... | <b>7</b>  | 10.3 Community Resources .....                                   | <b>31</b> |
| 6.9 Typical Characteristics .....                                 | <b>9</b>  | 10.4 Trademarks .....  | <b>31</b> |
| <b>7 Detailed Description</b> .....                               | <b>12</b> | 10.5 Electrostatic Discharge Caution .....                       | <b>32</b> |
| 7.1 Overview .....  | <b>12</b> | 10.6 Glossary .....  | <b>32</b> |
|   |           | <b>11 Mechanical, Packaging, and Orderable Information</b> ..... | <b>32</b> |

## 4 Revision History

NOTE: Page numbers for previous revisions may differ from page numbers in the current version.

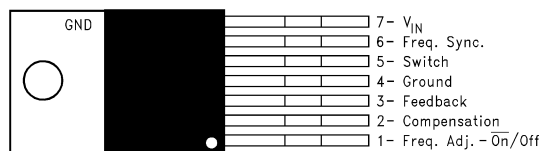
| <b>Changes from Revision D (April 2013) to Revision E</b> | <b>Page</b> |
|---|-------------|
| • Editorial changes only; no technical revisions .....    | <b>1</b>    |
| • Added links for WEBENCH .....                           | <b>1</b>    |

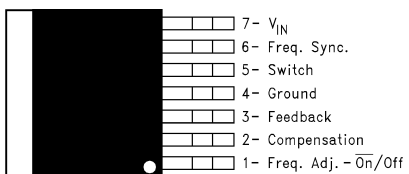
| <b>Changes from Revision C (April 2013) to Revision D</b>                | <b>Page</b> |
|--|-------------|
| • Changed layout of National Semiconductor data sheet to TI format ..... | <b>1</b>    |

## 5 Pin Configurations

**NDZ Package  
7-Pin TO-220  
Top View, Bent, Staggered Leads**



**KTW Package  
7-Pin DDPAK/TO-263  
Top View**



**NDZ Package  
7-Pin TO-220  
Side View; Bent, Staggered Leads**



**KTW Package  
7-Pin DDPAK/TO-263  
Side View**



## 6 Specifications

### 6.1 Absolute Maximum Ratings

 See <sup>(1)(2)</sup>

|   |                      |                                    |
|---|----------------------|------------------------------------|
| Input Voltage                               |                      | $-0.4V \leq V_{IN} \leq 45V$       |
| Switch Voltage                              |                      | $-0.4V \leq V_{SW} \leq 65V$       |
| Switch Current <sup>(3)</sup>               |                      | Internally Limited                 |
| Compensation Pin Voltage                    |                      | $-0.4V \leq V_{COMP} \leq 2.4V$    |
| Feedback Pin Voltage                        |                      | $-0.4V \leq V_{FB} \leq 2 V_{OUT}$ |
| $\overline{ON}$ /OFF Pin Voltage            |                      | $-0.4V \leq V_{SH} \leq 6V$        |
| Sync Pin Voltage                            |                      | $-0.4V \leq V_{SYNC} \leq 2V$      |
| Power Dissipation <sup>(4)</sup>            |                      | Internally Limited                 |
| Storage Temperature Range                   |                      | $-65^{\circ}C$ to $+150^{\circ}C$  |
| Lead Temperature                            | (Soldering, 10 sec.) | $260^{\circ}C$                     |
| Maximum Junction Temperature <sup>(4)</sup> |                      | $150^{\circ}C$                     |

- (1) Absolute Maximum Ratings indicate limits beyond which damage to the device may occur. These ratings apply when the current is limited to less than 1.2 mA for pins 1, 2, 3, and 6. Operating ratings indicate conditions for which the device is intended to be functional, but device parameter specifications may not be ensured under these conditions. For ensured specifications and test conditions, see the Electrical Characteristics.
- (2) If Military/Aerospace specified devices are required, contact the TI Sales Office/ Distributors for availability and specifications.
- (3) Note that switch current and output current are not identical in a step-up regulator. Output current cannot be internally limited when the LM2588 is used as a step-up regulator. To prevent damage to the switch, the output current must be externally limited to 5A. However, output current is internally limited when the LM2588 is used as a flyback regulator (see the section for more information).
- (4) The junction temperature of the device ( $T_J$ ) is a function of the ambient temperature ( $T_A$ ), the junction-to-ambient thermal resistance ( $\theta_{JA}$ ), and the power dissipation of the device ( $P_D$ ). A thermal shutdown will occur if the temperature exceeds the maximum junction temperature of the device:  $P_D \times \theta_{JA} + T_{A(MAX)} \geq T_{J(MAX)}$ . For a safe thermal design, check that the maximum power dissipated by the device is less than:  $P_D \leq [T_{J(MAX)} - T_{A(MAX)}] / \theta_{JA}$ . When calculating the maximum allowable power dissipation, derate the maximum junction temperature—this ensures a margin of safety in the thermal design.

### 6.2 ESD Ratings

|             |                                   |  | VALUE | UNIT |
|-------------|-----------------------------------|--|-------|------|
| $V_{(ESD)}$ | Electrostatic discharge (minimum) | Human-body model (HBM), per ANSI/ESDA/JEDEC JS-001 <sup>(1)</sup><br>(C = 100 pF, R = 1.5 k $\Omega$ ) | 2000  | V    |

- (1) JEDEC document JEP155 states that 500-V HBM allows safe manufacturing with a standard ESD control process.

### 6.3 Recommended Operating Ratings

|                            |  |
|----------------------------|--|
| Supply Voltage             | $4V \leq V_{IN} \leq 40V$                  |
| Output Switch Voltage      | $0V \leq V_{SW} \leq 60V$                  |
| Output Switch Current      | $I_{SW} \leq 5.0A$                         |
| Junction Temperature Range | $-40^{\circ}C \leq T_J \leq +125^{\circ}C$ |

## 6.4 Electrical Characteristics: 3.3 V

Specifications with standard type face are for  $T_J = 25^\circ\text{C}$ , and those in **boldtype face** apply over full **Operating Temperature Range**. Unless otherwise specified,  $V_{IN} = 5\text{V}$ .

| PARAMETER   | TEST CONDITIONS                   | TYP  | MIN   | MAX                 | UNIT                |      |
|---|-----------------------------------|--|-------|---------------------|---------------------|------|
| <b>SYSTEM PARAMETERS</b> Test Circuit of <a href="#">Figure 54</a> <sup>(1)</sup> |                                   |  |       |                     |                     |      |
| $V_{OUT}$   | Output Voltage                    | $V_{IN} = 4\text{V to }12\text{V}$<br>$I_{LOAD} = 400\text{ mA to }1.75\text{A}$           | 3.3   | 3.17/ <b>3.14</b>   | 3.43/ <b>3.46</b>   | V    |
| $\frac{\Delta V_{OUT}}{\Delta V_{IN}}$  | Line Regulation                   | $V_{IN} = 4\text{V to }12\text{V}$<br>$I_{LOAD} = 400\text{ mA}$                           | 20    |                     | 50/ <b>100</b>      | mV   |
| $\frac{\Delta V_{OUT}}{\Delta I_{LOAD}}$  | Load Regulation                   | $V_{IN} = 12\text{V}$<br>$I_{LOAD} = 400\text{ mA to }1.75\text{A}$                        | 20    |                     | 50/ <b>100</b>      | mV   |
| $\eta$  | Efficiency                        | $V_{IN} = 12\text{V}$ , $I_{LOAD} = 1\text{A}$   | 75    |                     |                     | %    |
| <b>UNIQUE DEVICE PARAMETERS</b> <sup>(2)</sup>                                    |                                   |  |       |                     |                     |      |
| $V_{REF}$   | Output Reference Voltage          | Measured at Feedback Pin<br>$V_{COMP} = 1.0\text{V}$                                       | 3.3   | 3.242/ <b>3.234</b> | 3.358/ <b>3.366</b> | V    |
| $\Delta V_{REF}$  | Reference Voltage Line Regulation | $V_{IN} = 4\text{V to }40\text{V}$   | 2.0   |                     |                     | mV   |
| $G_M$   | Error Amp Transconductance        | $I_{COMP} = -30\ \mu\text{A to }+30\ \mu\text{A}$<br>$V_{COMP} = 1.0\text{V}$              | 1.193 | <b>0.678</b>        | <b>2.259</b>        | mmho |
| $A_{VOL}$   | Error Amp Voltage Gain            | $V_{COMP} = 0.5\text{V to }1.6\text{V}$<br>$R_{COMP} = 1.0\ \text{M}\Omega$ <sup>(3)</sup> | 260   | 151/ <b>75</b>      |                     | V/V  |

(1) External components such as the diode, inductor, input and output capacitors can affect switching regulator performance. When the LM2588 is used as shown in [Figure 54](#) and [Figure 55](#), system performance will be as specified by the system parameters.

(2) All room temperature limits are 100% production tested, and all limits at temperature extremes are specified via correlation using standard Statistical Quality Control (SQC) methods.

(3) A 1.0 M $\Omega$  resistor is connected to the compensation pin (which is the error amplifier output) to ensure accuracy in measuring  $A_{VOL}$ .

## 6.5 Electrical Characteristics: 5 V

Specifications with standard type face are for  $T_J = 25^\circ\text{C}$ , and those in **bold type face** apply over full **Operating Temperature Range**. Unless otherwise specified,  $V_{IN} = 5\text{V}$ .

| PARAMETER   | TEST CONDITIONS                   | TYP  | MIN   | MAX                 | UNIT                |      |
|---|-----------------------------------|--|-------|---------------------|---------------------|------|
| <b>SYSTEM PARAMETERS</b> Test Circuit of <a href="#">Figure 54</a> <sup>(1)</sup> |                                   |  |       |                     |                     |      |
| $V_{OUT}$   | Output Voltage                    | $V_{IN} = 4\text{V to }12\text{V}$<br>$I_{LOAD} = 500\text{ mA to }1.45\text{A}$           | 5.0   | 4.80/ <b>4.75</b>   | 5.20/ <b>5.25</b>   | V    |
| $\frac{\Delta V_{OUT}}{\Delta V_{IN}}$  | Line Regulation                   | $V_{IN} = 4\text{V to }12\text{V}$<br>$I_{LOAD} = 500\text{ mA}$                           | 20    |                     | 50/ <b>100</b>      | mV   |
| $\frac{\Delta V_{OUT}}{\Delta I_{LOAD}}$  | Load Regulation                   | $V_{IN} = 12\text{V}$<br>$I_{LOAD} = 500\text{ mA to }1.45\text{A}$                        | 20    |                     | 50/ <b>100</b>      | mV   |
| $\eta$  | Efficiency                        | $V_{IN} = 12\text{V}$ , $I_{LOAD} = 750\text{ mA}$   | 80    |                     |                     | %    |
| <b>UNIQUE DEVICE PARAMETERS</b> <sup>(2)</sup>                                    |                                   |  |       |                     |                     |      |
| $V_{REF}$   | Output Reference Voltage          | Measured at Feedback Pin<br>$V_{COMP} = 1.0\text{V}$                                       | 5.0   | 4.913/ <b>4.900</b> | 5.088/ <b>5.100</b> | V    |
| $\Delta V_{REF}$  | Reference Voltage Line Regulation | $V_{IN} = 4\text{V to }40\text{V}$   | 3.3   |                     |                     | mV   |
| $G_M$   | Error Amp Transconductance        | $I_{COMP} = -30\ \mu\text{A to }+30\ \mu\text{A}$<br>$V_{COMP} = 1.0\text{V}$              | 0.750 | <b>0.447</b>        | <b>1.491</b>        | mmho |
| $A_{VOL}$   | Error Amp Voltage Gain            | $V_{COMP} = 0.5\text{V to }1.6\text{V}$<br>$R_{COMP} = 1.0\ \text{M}\Omega$ <sup>(3)</sup> | 165   | 99/ <b>49</b>       |                     | V/V  |

(1) External components such as the diode, inductor, input and output capacitors can affect switching regulator performance. When the LM2588 is used as shown in [Figure 54](#) and [Figure 55](#), system performance will be as specified by the system parameters.

(2) All room temperature limits are 100% production tested, and all limits at temperature extremes are specified via correlation using standard Statistical Quality Control (SQC) methods.

(3) A 1.0 M $\Omega$  resistor is connected to the compensation pin (which is the error amplifier output) to ensure accuracy in measuring  $A_{VOL}$ .

## 6.6 Electrical Characteristics: 12 V

Specifications with standard type face are for  $T_J = 25^\circ\text{C}$ , and those in **bold type face** apply over full **Operating Temperature Range**. Unless otherwise specified,  $V_{IN} = 5\text{V}$ .

| PARAMETER   |                                   | TEST CONDITIONS  | TYP   | MIN                 | MAX                 | UNIT |
|---|-----------------------------------|--|-------|---------------------|---------------------|------|
| <b>SYSTEM PARAMETERS</b> Test Circuit of <a href="#">Figure 55</a> <sup>(1)</sup> |                                   |  |       |                     |                     |      |
| $V_{OUT}$   | Output Voltage                    | $V_{IN} = 4\text{V to }10\text{V}$<br>$I_{LOAD} = 300\text{ mA to }1.2\text{A}$            | 12.0  | 11.52/ <b>11.40</b> | 12.48/ <b>12.60</b> | V    |
| $\frac{\Delta V_{OUT}}{\Delta V_{IN}}$  | Line Regulation                   | $V_{IN} = 4\text{V to }10\text{V}$<br>$I_{LOAD} = 300\text{ mA}$                           | 20    |                     | 100/ <b>200</b>     | mV   |
| $\frac{\Delta V_{OUT}}{\Delta I_{LOAD}}$  | Load Regulation                   | $V_{IN} = 10\text{V}$<br>$I_{LOAD} = 300\text{ mA to }1.2\text{A}$                         | 20    |                     | 100/ <b>200</b>     | mV   |
| $\eta$  | Efficiency                        | $V_{IN} = 10\text{V}$ , $I_{LOAD} = 1\text{A}$   | 90    |                     |                     | %    |
| <b>UNIQUE DEVICE PARAMETERS</b> <sup>(2)</sup>                                    |                                   |  |       |                     |                     |      |
| $V_{REF}$   | Output Reference Voltage          | Measured at Feedback Pin<br>$V_{COMP} = 1.0\text{V}$                                       | 12.0  | 11.79/ <b>11.76</b> | 12.21/ <b>12.24</b> | V    |
| $\Delta V_{REF}$  | Reference Voltage Line Regulation | $V_{IN} = 4\text{V to }40\text{V}$   | 7.8   |                     |                     | mV   |
| $G_M$   | Error Amp Transconductance        | $I_{COMP} = -30\ \mu\text{A to }+30\ \mu\text{A}$<br>$V_{COMP} = 1.0\text{V}$              | 0.328 | <b>0.186</b>        | <b>0.621</b>        | mmho |
| $A_{VOL}$   | Error Amp Voltage Gain            | $V_{COMP} = 0.5\text{V to }1.6\text{V}$<br>$R_{COMP} = 1.0\ \text{M}\Omega$ <sup>(3)</sup> | 70    | 41/ <b>21</b>       |                     | V/V  |

(1) External components such as the diode, inductor, input and output capacitors can affect switching regulator performance. When the LM2588 is used as shown in [Figure 54](#) and [Figure 55](#), system performance will be as specified by the system parameters.

(2) All room temperature limits are 100% production tested, and all limits at temperature extremes are specified via correlation using standard Statistical Quality Control (SQC) methods.

(3) A 1.0 M $\Omega$  resistor is connected to the compensation pin (which is the error amplifier output) to ensure accuracy in measuring  $A_{VOL}$ .

## 6.7 Electrical Characteristics: Adjustable

Specifications with standard type face are for  $T_J = 25^\circ\text{C}$ , and those in **bold type face** apply over full **Operating Temperature Range**. Unless otherwise specified,  $V_{IN} = 5\text{V}$ .

| PARAMETER   |                                   | TEST CONDITIONS  | TYP   | MIN                 | MAX                 | UNIT |
|---|-----------------------------------|--|-------|---------------------|---------------------|------|
| <b>SYSTEM PARAMETERS</b> Test Circuit of <a href="#">Figure 55</a> <sup>(1)</sup> |                                   |  |       |                     |                     |      |
| $V_{OUT}$   | Output Voltage                    | $V_{IN} = 4\text{V to }10\text{V}$<br>$I_{LOAD} = 300\text{ mA to }1.2\text{A}$            | 12.0  | 11.52/ <b>11.40</b> | 12.48/ <b>12.60</b> | V    |
| $\frac{\Delta V_{OUT}}{\Delta V_{IN}}$  | Line Regulation                   | $V_{IN} = 4\text{V to }10\text{V}$<br>$I_{LOAD} = 300\text{ mA}$                           | 20    |                     | 100/ <b>200</b>     | mV   |
| $\frac{\Delta V_{OUT}}{\Delta I_{LOAD}}$  | Load Regulation                   | $V_{IN} = 10\text{V}$<br>$I_{LOAD} = 300\text{ mA to }1.2\text{A}$                         | 20    |                     | 100/ <b>200</b>     | mV   |
| $\eta$  | Efficiency                        | $V_{IN} = 10\text{V}$ , $I_{LOAD} = 1\text{A}$   | 90    |                     |                     | %    |
| <b>UNIQUE DEVICE PARAMETERS</b> <sup>(2)</sup>                                    |                                   |  |       |                     |                     |      |
| $V_{REF}$   | Output Reference Voltage          | Measured at Feedback Pin<br>$V_{COMP} = 1.0\text{V}$                                       | 1.230 | 1.208/ <b>1.205</b> | 1.252/ <b>1.255</b> | V    |
| $\Delta V_{REF}$  | Reference Voltage Line Regulation | $V_{IN} = 4\text{V to }40\text{V}$   | 1.5   |                     |                     | mV   |
| $G_M$   | Error Amp Transconductance        | $I_{COMP} = -30\ \mu\text{A to }+30\ \mu\text{A}$<br>$V_{COMP} = 1.0\text{V}$              | 3.200 | <b>1.800</b>        | <b>6.000</b>        | mmho |
| $A_{VOL}$   | Error Amp Voltage Gain            | $V_{COMP} = 0.5\text{V to }1.6\text{V}$<br>$R_{COMP} = 1.0\ \text{M}\Omega$ <sup>(3)</sup> | 670   | 400/ <b>200</b>     |                     | V/V  |
| $I_B$   | Error Amp Input Bias Current      | $V_{COMP} = 1.0\text{V}$   | 125   |                     | 425/ <b>600</b>     | nA   |

(1) External components such as the diode, inductor, input and output capacitors can affect switching regulator performance. When the LM2588 is used as shown in [Figure 54](#) and [Figure 55](#), system performance will be as specified by the system parameters.

(2) All room temperature limits are 100% production tested, and all limits at temperature extremes are specified via correlation using standard Statistical Quality Control (SQC) methods.

(3) A 1.0 M $\Omega$  resistor is connected to the compensation pin (which is the error amplifier output) to ensure accuracy in measuring  $A_{VOL}$ .

## 6.8 Electrical Characteristics: All Output Voltage Versions <sup>(1)</sup>

Specifications with standard type face are for  $T_J = 25^\circ\text{C}$ , and those in **bold type face** apply over full **Operating Temperature Range**. Unless otherwise specified,  $V_{IN} = 5\text{V}$ .

| PARAMETER         |   | TEST CONDITIONS  | TYP  | MIN                | MAX                | UNIT          |
|-------------------|---|--|------|--------------------|--------------------|---------------|
| $I_S$             | Input Supply Current                                      | Switch Off <sup>(2)</sup>  | 11   |                    | 15.5/ <b>16.5</b>  | mA            |
|                   |   | $I_{\text{SWITCH}} = 3.0\text{A}$  | 85   |                    | 140/ <b>165</b>    | mA            |
| $I_{S/D}$         | Shutdown Input Supply Current                             | $V_{SH} = 3\text{V}$   | 16   |                    | 100/ <b>300</b>    | $\mu\text{A}$ |
| $V_{UV}$          | Input Supply Undervoltage Lockout                         | $R_{\text{LOAD}} = 100\Omega$  | 3.30 | <b>3.05</b>        | <b>3.75</b>        | V             |
| $f_O$             | Oscillator Frequency                                      | Measured at Switch Pin<br>$R_{\text{LOAD}} = 100\Omega$ , $V_{\text{COMP}} = 1.0\text{V}$<br>Freq. Adj. Pin Open (Pin 1) | 100  | <b>85/75</b>       | <b>115/125</b>     | kHz           |
|                   |   | $R_{\text{SET}} = 22\text{ k}\Omega$   | 200  |                    |                    | kHz           |
| $f_{SC}$          | Short-Circuit Frequency                                   | Measured at Switch Pin<br>$R_{\text{LOAD}} = 100\Omega$<br>$V_{\text{FEEDBACK}} = 1.15\text{V}$                          | 25   |                    |                    | kHz           |
| $V_{EAO}$         | Error Amplifier Output Swing                              | Upper Limit <sup>(3)</sup>   | 2.8  | 2.6/ <b>2.4</b>    |                    | V             |
|                   |   | Lower Limit <sup>(2)</sup>   | 0.25 |                    | 0.40/ <b>0.55</b>  | V             |
| $I_{EAO}$         | Error Amp Output Current (Source or Sink)                 | See <sup>(4)</sup>   | 165  | 110/ <b>70</b>     | 260/ <b>320</b>    | $\mu\text{A}$ |
| $I_{SS}$          | Soft Start Current  | $V_{\text{FEEDBACK}} = 0.92\text{V}$<br>$V_{\text{COMP}} = 1.0\text{V}$  | 11.0 | 8.0/ <b>7.0</b>    | 17.0/ <b>19.0</b>  | $\mu\text{A}$ |
| $D_{\text{MAX}}$  | Maximum Duty Cycle  | $R_{\text{LOAD}} = 100\Omega$ <sup>(3)</sup>   | 98   | <b>93/90</b>       |                    | %             |
| $I_L$             | Switch Leakage Current                                    | Switch Off<br>$V_{\text{SWITCH}} = 60\text{V}$   | 15   |                    | 300/ <b>600</b>    | $\mu\text{A}$ |
| $V_{\text{SUS}}$  | Switch Sustaining Voltage                                 | $dV/dT = 1.5\text{V/ns}$   |      | 65                 |                    | V             |
| $V_{\text{SAT}}$  | Switch Saturation Voltage                                 | $I_{\text{SWITCH}} = 5.0\text{A}$  | 0.7  |                    | 1.1/ <b>1.4</b>    | V             |
| $I_{\text{CL}}$   | NPN Switch Current Limit                                  |  | 6.5  | <b>5.0</b>         | <b>9.5</b>         | A             |
| $V_{\text{STH}}$  | Synchronization Threshold Voltage                         | $F_{\text{SYNC}} = 200\text{ kHz}$<br>$V_{\text{COMP}} = 1\text{V}$ , $V_{\text{IN}} = 5\text{V}$                        | 0.75 | 0.625/ <b>0.40</b> | 0.875/ <b>1.00</b> | V             |
| $I_{\text{SYNC}}$ | Synchronization Pin Current                               | $V_{\text{IN}} = 5\text{V}$<br>$V_{\text{COMP}} = 1\text{V}$ , $V_{\text{SYNC}} = V_{\text{STH}}$                        | 100  |                    | <b>200</b>         | $\mu\text{A}$ |
| $V_{\text{SHTH}}$ | $\overline{\text{ON}}$ /OFF Pin (Pin 1) Threshold Voltage | $V_{\text{COMP}} = 1\text{V}$ <sup>(5)</sup>   | 1.6  | 1.0/ <b>0.8</b>    | 2.2/ <b>2.4</b>    | V             |
| $I_{\text{SH}}$   | $\overline{\text{ON}}$ /OFF Pin (Pin 1) Current           | $V_{\text{COMP}} = 1\text{V}$<br>$V_{\text{SH}} = V_{\text{SHTH}}$   | 40   | 15/ <b>10</b>      | 65/ <b>75</b>      | $\mu\text{A}$ |

- (1) All room temperature limits are 100% production tested, and all limits at temperature extremes are specified via correlation using standard Statistical Quality Control (SQC) methods.
- (2) To measure this parameter, the feedback voltage is set to a high value, depending on the output version of the device, to force the error amplifier output low and the switch off.
- (3) To measure this parameter, the feedback voltage is set to a low value, depending on the output version of the device, to force the error amplifier output high and the switch on.
- (4) To measure the worst-case error amplifier output current, the LM2588 is tested with the feedback voltage set to its low value (specified in Note 3 under the [Electrical Characteristics: All Output Voltage Versions](#) <sup>(1)</sup> table) and at its high value (specified in Note 2 under the [Electrical Characteristics: All Output Voltage Versions](#) <sup>(1)</sup> table).
- (5) When testing the minimum value, do not sink current from this pin—isolate it with a diode. If current is drawn from this pin, the frequency adjust circuit will begin operation (see [Figure 20](#)).

**Electrical Characteristics: All Output Voltage Versions <sup>(1)</sup> (continued)**

Specifications with standard type face are for  $T_J = 25^\circ\text{C}$ , and those in **bold type face** apply over full **Operating Temperature Range**. Unless otherwise specified,  $V_{IN} = 5\text{V}$ .

| PARAMETER                      |                    | TEST CONDITIONS                                  | TYP     | MIN | MAX | UNIT |
|--------------------------------|--------------------|--|---------|-----|-----|------|
| $\theta_{JA}$                  | Thermal Resistance | NDZ Package, Junction to Ambient <sup>(6)</sup>  | 65      |     |     | °C/W |
| $\theta_{JA}$                  |                    | NDZ Package, Junction to Ambient <sup>(7)</sup>  | 45      |     |     |      |
| $\theta_{JC}$                  |                    | NDZ Package, Junction to Case                    | 2       |     |     |      |
| $\theta_{JA}$                  |                    | KTW Package, Junction to Ambient <sup>(8)</sup>  | 56      |     |     |      |
| $\theta_{JA}$                  |                    | KTW Package, Junction to Ambient <sup>(9)</sup>  | 35      |     |     |      |
| $\theta_{JA}$<br>$\theta_{JC}$ |                    | KTW Package, Junction to Ambient <sup>(10)</sup> | 26<br>2 |     |     |      |
|                                |                    | KTW Package, Junction to Case                    |         |     |     |      |

- (6) Junction to ambient thermal resistance (no external heat sink) for the 7 lead TO-220 package mounted vertically, with ½ inch leads in a socket, or on a PC board with minimum copper area.
- (7) Junction to ambient thermal resistance (no external heat sink) for the 7 lead TO-220 package mounted vertically, with ½ inch leads soldered to a PC board containing approximately 4 square inches of (1 oz.) copper area surrounding the leads.
- (8) Junction to ambient thermal resistance for the 7 lead TO-263 mounted horizontally against a PC board area of 0.136 square inches (the same size as the TO-263 package) of 1 oz. (0.0014 in. thick) copper.
- (9) Junction to ambient thermal resistance for the 7 lead TO-263 mounted horizontally against a PC board area of 0.4896 square inches (3.6 times the area of the TO-263 package) of 1 oz. (0.0014 in. thick) copper.
- (10) Junction to ambient thermal resistance for the 7 lead TO-263 mounted horizontally against a PC board copper area of 1.0064 square inches (7.4 times the area of the TO-263 package) of 1 oz. (0.0014 in. thick) copper. Additional copper area will reduce thermal resistance further. See the thermal model in Switchers Made Simple<sup>®</sup> software.

## 6.9 Typical Characteristics

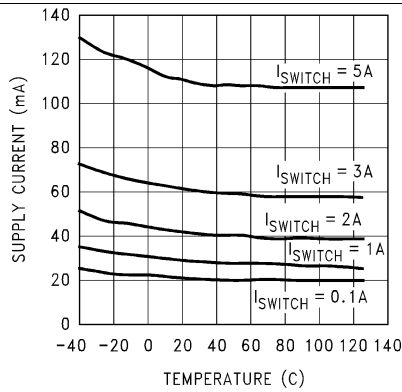


Figure 1. Supply Current vs Temperature

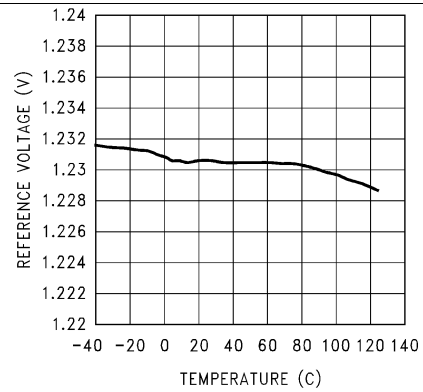


Figure 2. Reference Voltage vs Temperature

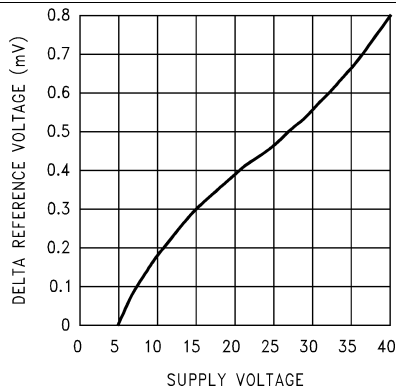


Figure 3.  $\Delta$ Reference Voltage vs Supply Voltage

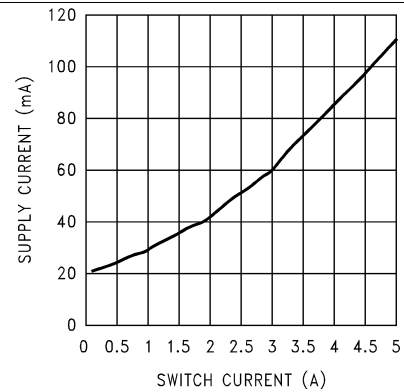


Figure 4. Supply Current vs Switch Current

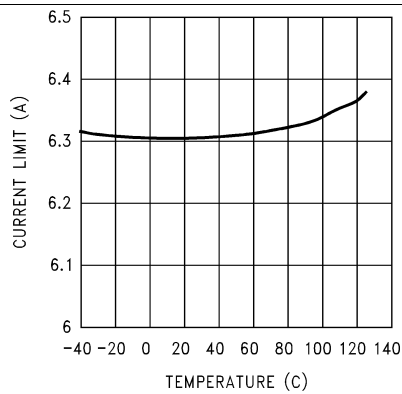


Figure 5. Current Limit vs Temperature

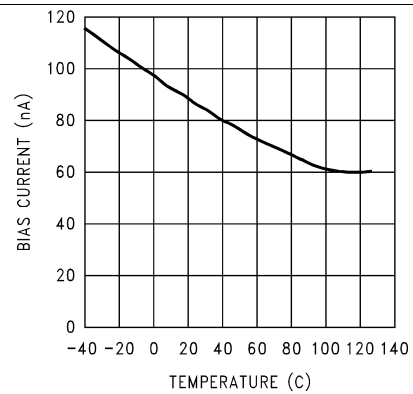


Figure 6. Feedback Pin Bias Current vs Temperature

Typical Characteristics (continued)

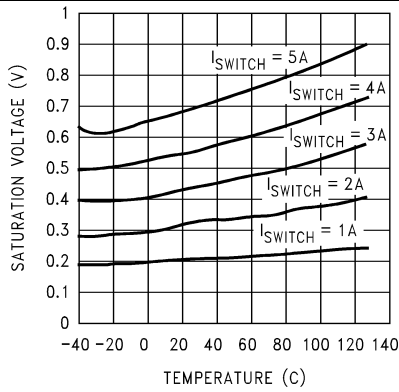


Figure 7. Switch Saturation Voltage vs Temperature

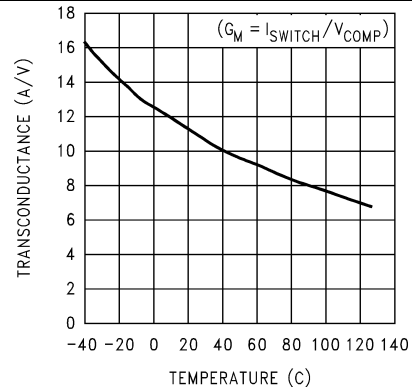


Figure 8. Switch Transconductance vs Temperature

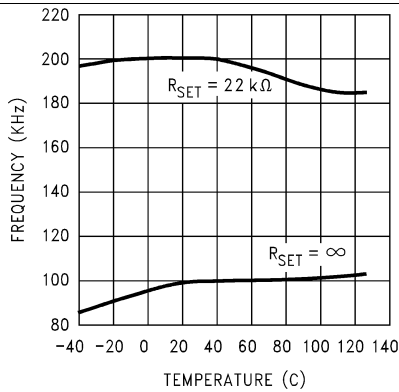


Figure 9. Oscillator Frequency vs Temperature

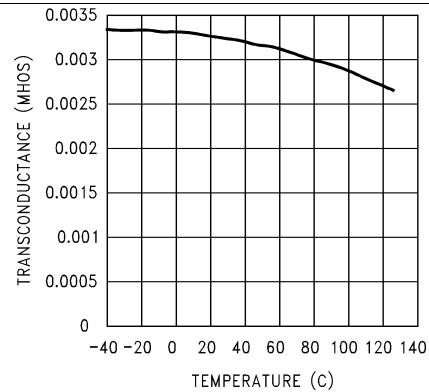


Figure 10. Error Amp Transconductance vs Temperature

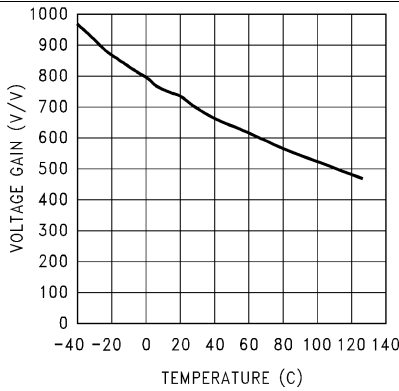


Figure 11. Error Amp Voltage Gain vs Temperature

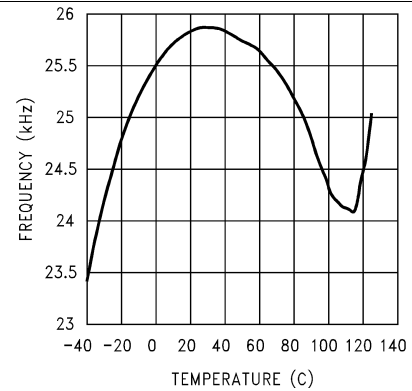


Figure 12. Short Circuit Frequency vs Temperature

Typical Characteristics (continued)

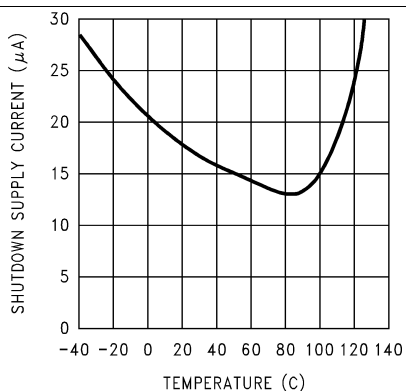


Figure 13. Shutdown Supply Current vs Temperature

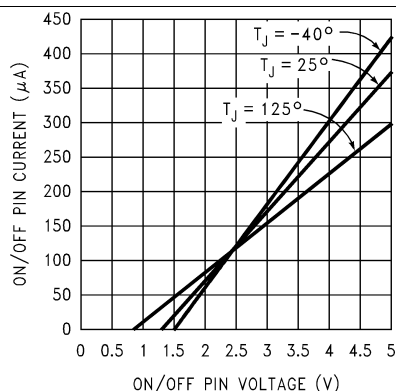


Figure 14.  $\overline{\text{ON}}$  /Off Pin Current vs Voltage

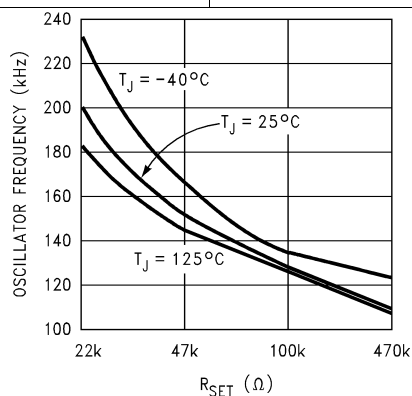


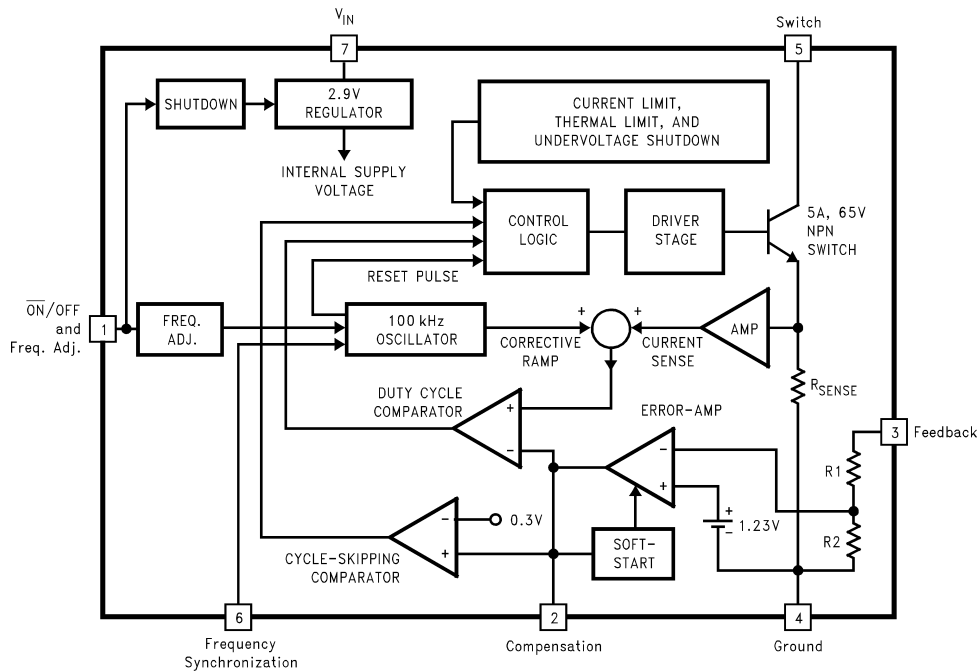
Figure 15. Oscillator Frequency vs Resistance

## 7 Detailed Description

### 7.1 Overview

The LM2588 series of regulators are monolithic integrated circuits specifically designed for flyback, step-up (boost), and forward converter applications. The device is available in 4 different output voltage versions: 3.3 V, 5 V, 12 V, and adjustable. Requiring a minimum number of external components, these regulators are cost effective, and simple to use. Included in the datasheet are typical circuits of boost and flyback regulators. Also listed are selector guides for diodes and capacitors and a family of standard inductors and flyback transformers designed to work with these switching regulators.

### 7.2 Functional Block Diagram



For Fixed Versions 3.3V, R1 = 3.4k, R2 = 2k5.0V, R1 = 6.15k, R2 = 2k12V, R1 = 8.73k, R2 = 1k For Adj. Version R1 = Short (0Ω), R2 = Open

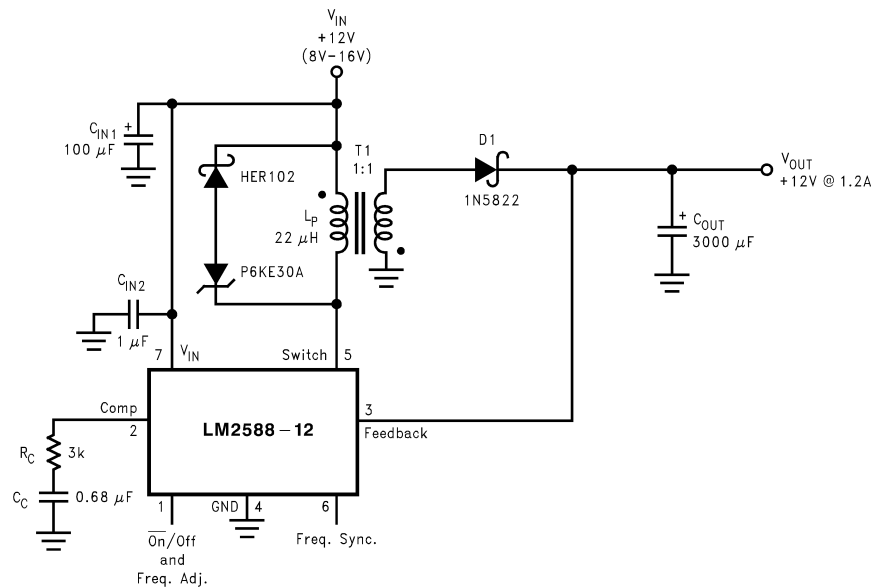
### 7.3 Feature Description

#### 7.3.1 Flyback Regulator Operation

The operation of a flyback regulator is as follows (refer to Figure 16): when the switch is on, current flows through the primary winding of the transformer, T1, storing energy in the magnetic field of the transformer. Note that the primary and secondary windings are out of phase, so no current flows through the secondary when current flows through the primary. When the switch turns off, the magnetic field collapses, reversing the voltage polarity of the primary and secondary windings. Now rectifier D1 is forward biased and current flows through it, releasing the energy stored in the transformer. This produces voltage at the output.

The output voltage is controlled by modulating the peak switch current. This is done by feeding back a portion of the output voltage to the error amp, which amplifies the difference between the feedback voltage and a 1.23-V reference. The error amp output voltage is compared to a ramp voltage proportional to the switch current (in other words, inductor current during the switch on-time). The comparator terminates the switch on time when the two voltages are equal, thereby controlling the peak switch current to maintain a constant output voltage.

Feature Description (continued)



As shown in Figure 16, the LM2588 can be used as a flyback regulator by using a minimum number of external components. The switching waveforms of this regulator are shown in Figure 18. Typical characteristics observed during the operation of this circuit are shown in Figure 19.

Figure 16. 12-V Flyback Regulator Design Example

7.3.2 Step-Up (Boost) Regulator Operation

Figure 17 shows the LM2588 used as a step-up (boost) regulator. This is a switching regulator that produces an output voltage greater than the input supply voltage.

A brief explanation of how the LM2588 boost regulator works is as follows (refer to Figure 17). When the NPN switch turns on, the inductor current ramps up at the rate of  $V_{IN}/L$ , storing energy in the inductor. When the switch turns off, the lower end of the inductor flies above  $V_{IN}$ , discharging its current through diode (D) into the output capacitor ( $C_{OUT}$ ) at a rate of  $(V_{OUT} - V_{IN})/L$ . Thus, energy stored in the inductor during the switch on-time is transferred to the output during the switch off time. The output voltage is controlled by adjusting the peak switch current, as described in the section.

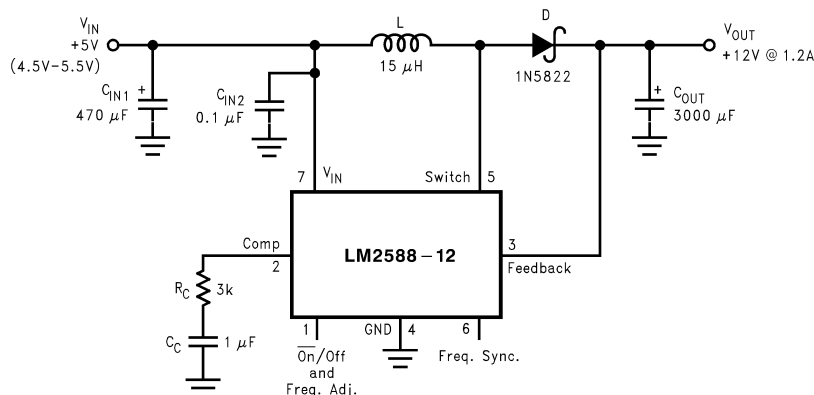
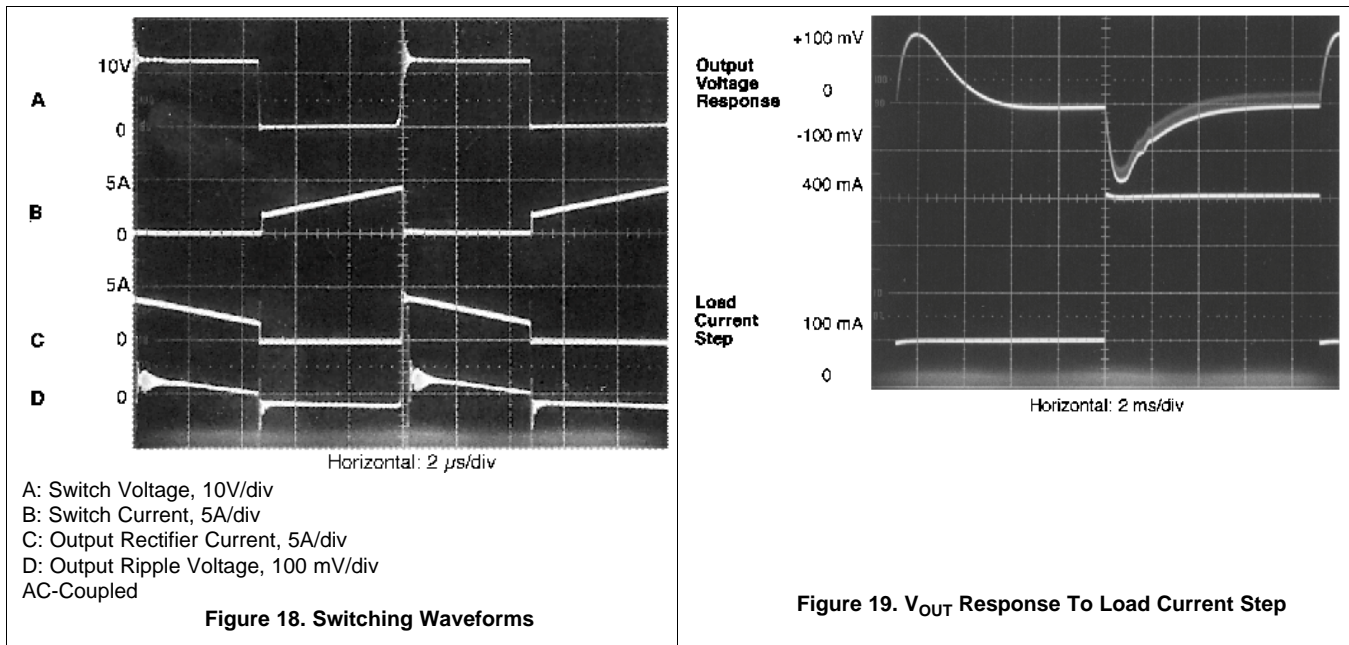


Figure 17. 12-V Boost Regulator

By adding a small number of external components (as shown in Figure 17), the LM2588 can be used to produce a regulated output voltage that is greater than the applied input voltage. The switching waveforms observed during the operation of this circuit are shown in . Typical performance of this regulator is shown in .

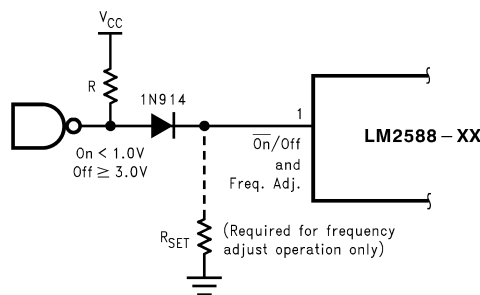
**Feature Description (continued)**



**7.3.3 Shutdown Control**

A feature of the LM2588 is its ability to be shut down using the  $\overline{\text{ON}}/\text{OFF}$  pin (pin 1). This feature conserves input power by turning off the device when it is not in use. For proper operation, an isolation diode is required (as shown in Figure 20).

The device will shut down when 3 V or greater is applied on the  $\overline{\text{ON}}/\text{OFF}$  pin, sourcing current into pin 1. In shut down mode, the device draws typically 56 μA of supply current (16 μA to  $V_{\text{IN}}$  and 40 μA to the  $\overline{\text{ON}}/\text{OFF}$  pin). To turn the device back on, leave pin 1 floating, using an (isolation) diode, as shown in Figure 20 (for normal operation, do not source or sink current to or from this pin—see the next section).



**Figure 20. Shutdown Operation**

**7.3.4 Frequency Adjustment**

The switching frequency of the LM2588 can be adjusted with the use of an external resistor. This feature allows the user to optimize the size of the magnetics and the output capacitor(s) by tailoring the operating frequency. A resistor connected from pin 1 (the Freq. Adj. pin) to ground will set the switching frequency from 100 kHz to 200 kHz (maximum). As shown in Figure 20, the pin can be used to adjust the frequency while still providing the shut down function. A curve in the Performance Characteristics Section graphs the resistor value to the corresponding switching frequency. The table in Table 1 shows resistor values corresponding to commonly used frequencies.

However, changing the LM2588's operating frequency from its nominal value of 100 kHz changes the magnetics selection and compensation component values.

Feature Description (continued)

Table 1. Frequency Setting Resistor Guide

| R <sub>SET</sub> (kΩ) | FREQUENCY (kHz) |
|-----------------------|-----------------|
| Open                  | 100             |
| 200                   | 125             |
| 47                    | 150             |
| 33                    | 175             |
| 22                    | 200             |

7.3.5 Frequency Synchronization

Another feature of the LM2588 is the ability to synchronize the switching frequency to an external source, using the sync pin (pin 6). This feature allows the user to parallel multiple devices to deliver more output power.

A negative falling pulse applied to the sync pin will synchronize the LM2588 to an external oscillator (see Figure 21 and Figure 22).

Use of this feature enables the LM2588 to be synchronized to an external oscillator, such as a system clock. This operation allows multiple power supplies to operate at the same frequency, thus eliminating frequency-related noise problems.

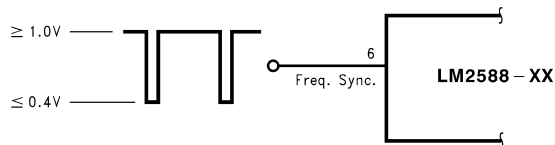


Figure 21. Frequency Synchronization

The scope photo in Figure 22 shows a LM2588 12V Boost Regulator synchronized to a 200-kHz signal. There is a 700 ns delay between the falling edge of the sync signal and the turning on of the switch.

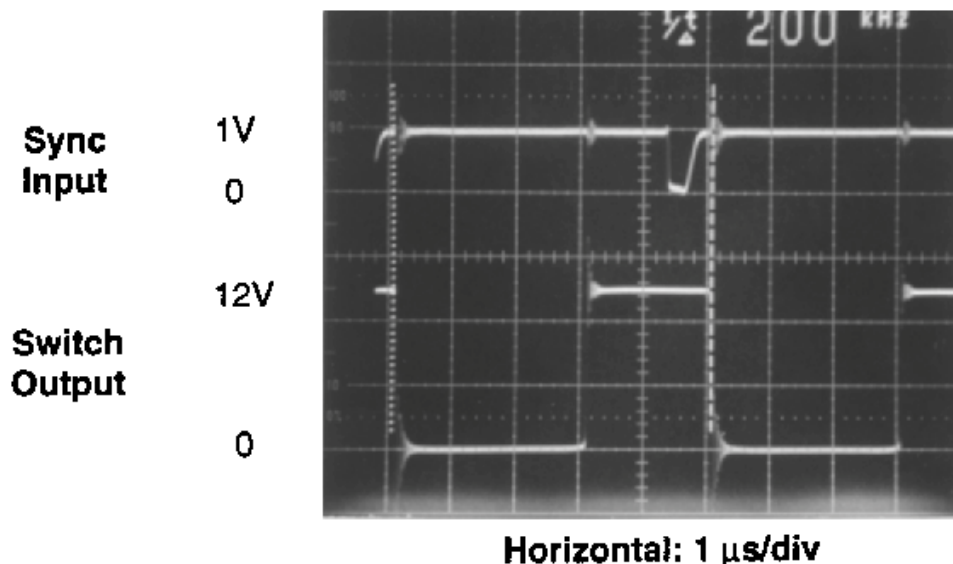


Figure 22. Waveforms Of A Synchronized 12-V Boost Regulator

### 7.3.6 Programming Output Voltage (Selecting R1 And R2)

Referring to the adjustable regulator in Figure 23, the output voltage is programmed by the resistors R1 and R2 by the following formula:

$$V_{OUT} = V_{REF} (1 + R1/R2) \quad \text{where } V_{REF} = 1.23V \quad (1)$$

Resistors R1 and R2 divide the output voltage down so that it can be compared with the 1.23-V internal reference. With R2 between 1k and 5k, R1 is:

$$R1 = R2 (V_{OUT}/V_{REF} - 1) \quad \text{wher}$$

where

- $e V_{REF} = 1.23 V$  (2)

For best temperature coefficient and stability with time, use 1% metal film resistors.

### 7.3.7 Short-Circuit Condition

Due to the inherent nature of boost regulators, when the output is shorted (see Figure 23 ), current flows directly from the input, through the inductor and the diode, to the output, bypassing the switch. The current limit of the switch *does not* limit the output current for the entire circuit. To protect the load and prevent damage to the switch, the current must be externally limited, either by the input supply or at the output with an external current limit circuit. The external limit should be set to the maximum switch current of the device, which is 5 A.

In a flyback regulator application (Figure 24 ), using the standard transformers, the LM2588 survives a short circuit to the main output. When the output voltage drops to 80% of its nominal value, the frequency will drop to 25 kHz. With a lower frequency, off times are larger. With the longer off times, the transformer can release all of its stored energy before the switch turns back on. Hence, the switch turns on initially with zero current at its collector. In this condition, the switch current limit will limit the peak current, saving the device.

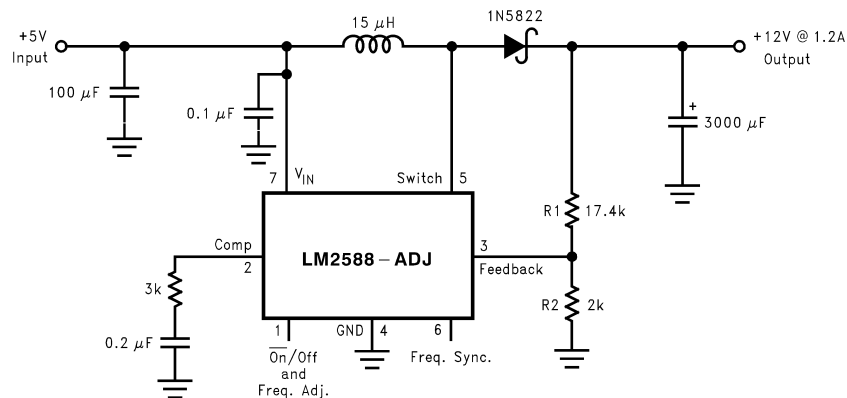


Figure 23. Boost Regulator

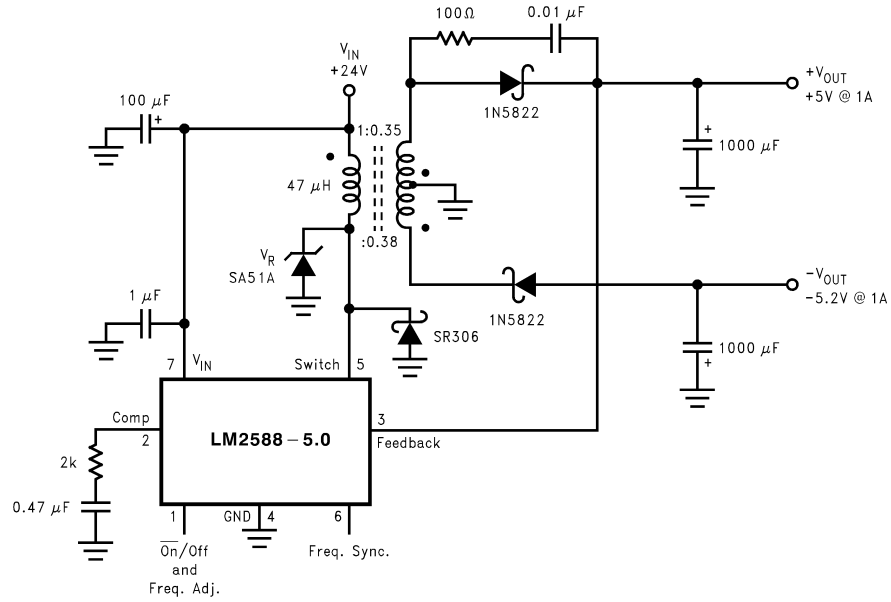


Figure 24. Flyback Regulator

## 8 Application and Implementation

### NOTE

Information in the following applications sections is not part of the TI component specification, and TI does not warrant its accuracy or completeness. TI's customers are responsible for determining suitability of components for their purposes. Customers should validate and test their design implementation to confirm system functionality.

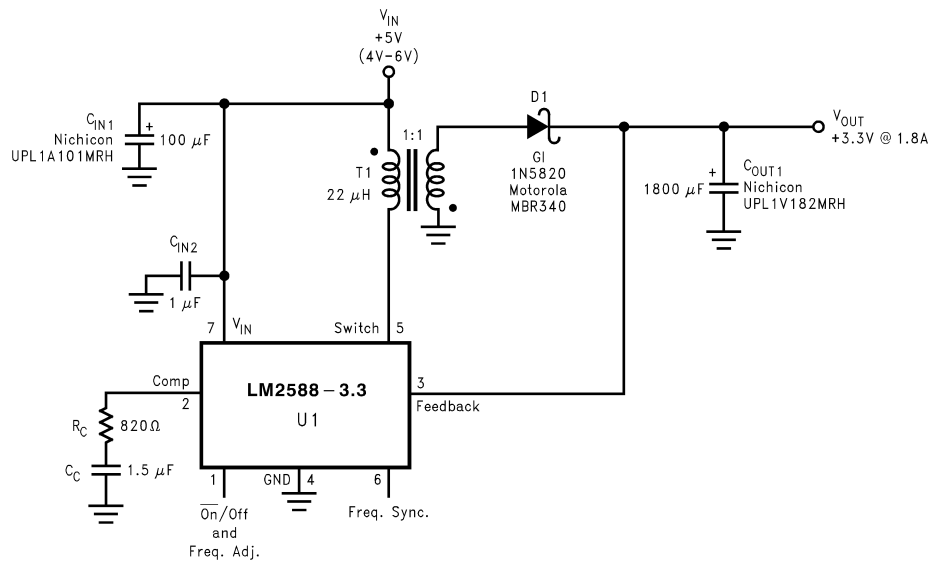
### 8.1 Application Information

The LM2586 series of regulators are monolithic integrated circuits specifically designed for flyback, step-up (boost), and forward converter applications. Requiring a minimum number of external components, these regulators are cost effective, and simple to use. Included in the datasheet are typical circuits of boost and flyback regulators. Also listed are selector guides for diodes and capacitors and a family of standard inductors and flyback transformers designed to work with these switching regulators.

### 8.2 Typical Applications

#### 8.2.1 Typical Flyback Regulator Applications

Figure 25 through Figure 30 show six typical flyback applications, varying from single output to triple output. Each drawing contains the part number(s) and manufacturer(s) for every component except the transformer. For the transformer part numbers and manufacturers' names, see Table 2. For applications with different output voltages—requiring the LM2588-ADJ—or different output configurations that do not match the standard configurations, refer to the *Switchers Made Simple* software.



**Figure 25. Single-Output Flyback Regulator**

Typical Applications (continued)

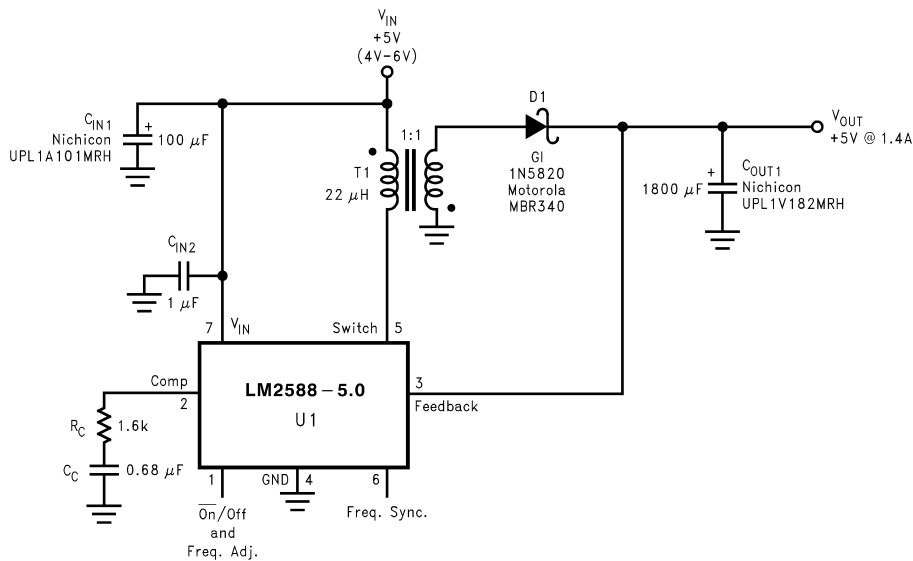


Figure 26. Single-Output Flyback Regulator

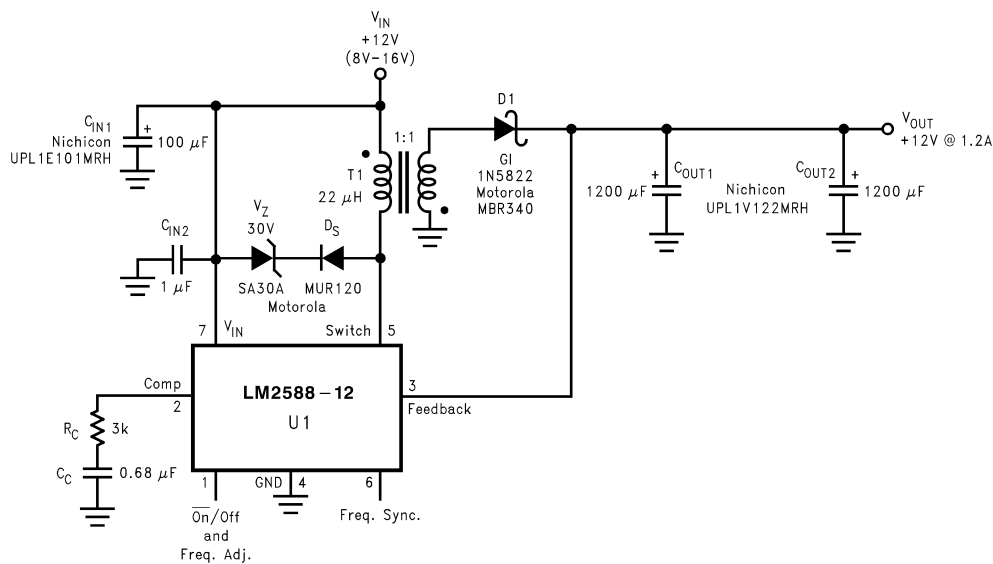


Figure 27. Single-Output Flyback Regulator



Typical Applications (continued)

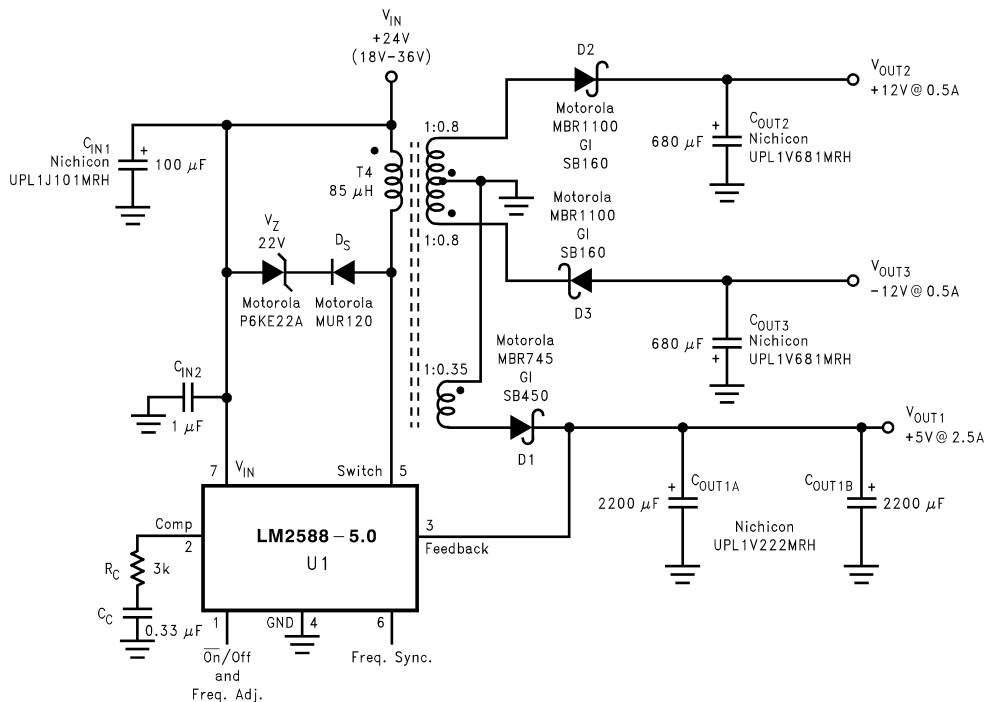


Figure 30. Triple-Output Flyback Regulator

8.2.1.1 Design Requirements

8.2.1.1.1 Transformer Selection (T)

Table 2 lists the standard transformers available for flyback regulator applications. Included in the table are the turns ratio(s) for each transformer, as well as the output voltages, input voltage ranges, and the maximum load currents for each circuit.

Table 2. Transformer Selection Table

| APPLICATIONS            | Figure 25 | Figure 26 | Figure 27 | Figure 28 | Figure 29 | Figure 30 |
|-------------------------|-----------|-----------|-----------|-----------|-----------|-----------|
| Transformers            | T1        | T1        | T1        | T2        | T3        | T4        |
| V <sub>IN</sub>         | 4V–6V     | 4V–6V     | 8V–16V    | 4V–6V     | 18V–36V   | 18V–36V   |
| V <sub>OUT1</sub>       | 3.3V      | 5V        | 12V       | 12V       | 12V       | 5V        |
| I <sub>OUT1</sub> (Max) | 1.8A      | 1.4A      | 1.2A      | 0.3A      | 1A        | 2.5A      |
| N <sub>1</sub>          | 1         | 1         | 1         | 2.5       | 0.8       | 0.35      |
| V <sub>OUT2</sub>       |           |           |           | -12V      | -12V      | 12V       |
| I <sub>OUT2</sub> (Max) |           |           |           | 0.3A      | 1A        | 0.5A      |
| N <sub>2</sub>          |           |           |           | 2.5       | 0.8       | 0.8       |
| V <sub>OUT3</sub>       |           |           |           |           |           | -12V      |
| I <sub>OUT3</sub> (Max) |           |           |           |           |           | 0.5A      |
| N <sub>3</sub>          |           |           |           |           |           | 0.8       |

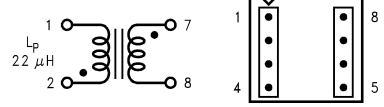
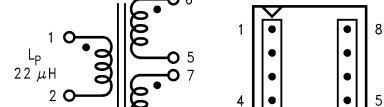
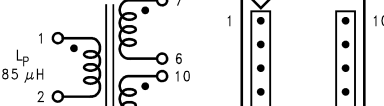
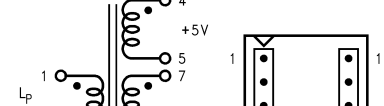
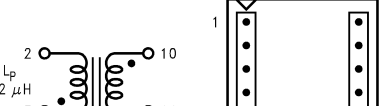
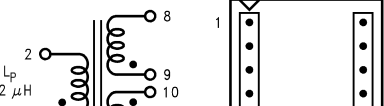
**Table 3. Transformer Manufacturer Guide**

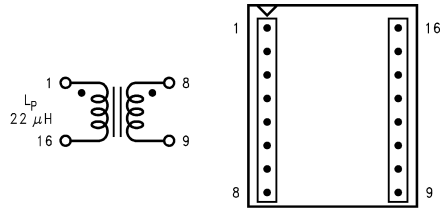
| Transformer Type | Manufacturers' Part Numbers |  |                                    |                      |                       |
|------------------|-----------------------------|--|------------------------------------|----------------------|-----------------------|
|                  | Coilcraft <sup>(1)</sup>    | Coilcraft Surface Mount <sup>(1)</sup> | Pulse Surface Mount <sup>(2)</sup> | Renco <sup>(3)</sup> | Schott <sup>(4)</sup> |
| T1               | Q4434-B                     | Q4435-B                                | PE-68411                           | RL-5530              | 67141450              |
| T2               | Q4337-B                     | Q4436-B                                | PE-68412                           | RL-5531              | 67140860              |
| T3               | Q4343-B                     | —                                      | PE-68421                           | RL-5534              | 67140920              |
| T4               | Q4344-B                     | —                                      | PE-68422                           | RL-5535              | 67140930              |

- (1) Coilcraft Inc.: Phone: (800) 322-2645 1102 Silver Lake Road, Cary, IL 60013: Fax: (708) 639-1469 European Headquarters, 21 Napier Place: Phone: +44 1236 730 595 Wardpark North, Cumbernauld, Scotland G68 0LL: Fax: +44 1236 730 627
- (2) Pulse Engineering Inc.: Phone: (619) 674-8100 12220 World Trade Drive, San Diego, CA 92128: Fax: (619) 674-8262 European Headquarters, Dunmore Road: Phone: +353 93 24 107 Tuam, Co. Galway, Ireland: Fax: +353 93 24 459
- (3) Renco Electronics Inc.: Phone: (800) 645-5828 60 Jeffryn Blvd. East, Deer Park, NY 11729: Fax: (516) 586-5562
- (4) Schott Corp.: Phone: (612) 475-1173 1000 Parkers Lane Road, Wayzata, MN 55391: Fax: (612) 475-1786

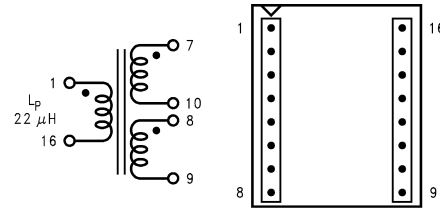
**8.2.1.1.2 Transformer Footprints**

Figure 31 through Figure 48 show the footprints of each transformer, listed in Table 3.

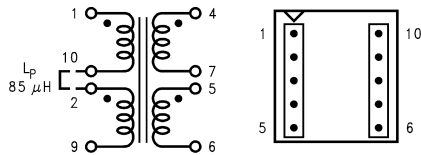
|  |   |
|--|---|
|  <p><b>Figure 31. T1 - Top View<br/>Coilcraft Q4434-B</b></p>                       |  <p><b>Figure 32. T2 - Top View<br/>Coilcraft Q4337-B</b></p>                       |
|  <p><b>Figure 33. T3 - Top View<br/>Coilcraft Q4343-B</b></p>                     |  <p><b>Figure 34. T4 - Top View<br/>Coilcraft Q4344-B</b></p>                     |
|  <p><b>Figure 35. T1 - Top View<br/>Coilcraft Q4435-B<br/>(Surface Mount)</b></p> |  <p><b>Figure 36. T2 - Top View<br/>Coilcraft Q4436-B<br/>(Surface Mount)</b></p> |



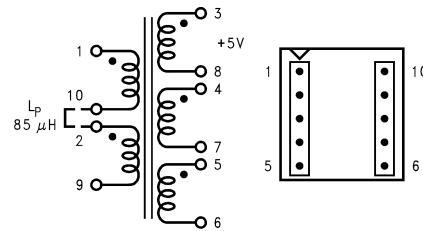
**Figure 37. T1 - Top View  
Pulse PE-68411  
(Surface Mount)**



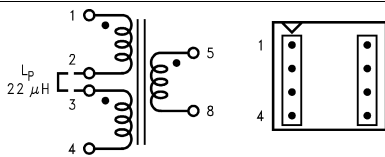
**Figure 38. T2 - Top View  
Pulse PE-68412  
(Surface Mount)**



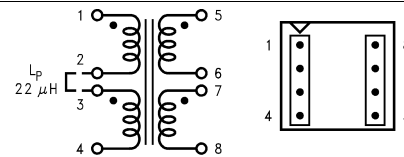
**Figure 39. T3 - Top View  
Pulse PE-68421  
(Surface Mount)**



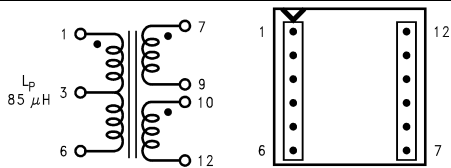
**Figure 40. T4 - Top View  
Pulse PE-68422  
(Surface Mount)**



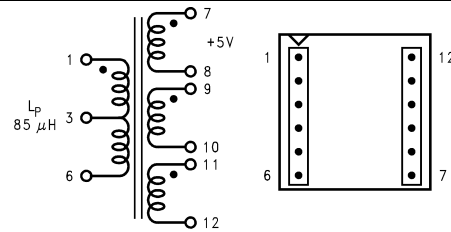
**Figure 41. T1 - Top View  
Renco RL-5530**



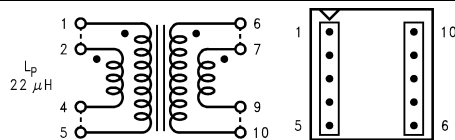
**Figure 42. T2 - Top View  
Renco RL-5531**



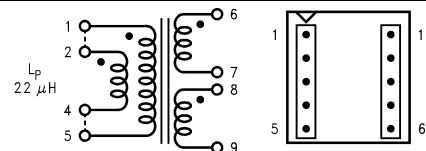
**Figure 43. T3 - Top View  
Renco RL-5534**



**Figure 44. T4 - Top View  
Renco RL-5535**



**Figure 45. T1 - Top View  
Schott 67141450**



**Figure 46. T2 - Top View  
Schott 67140860**

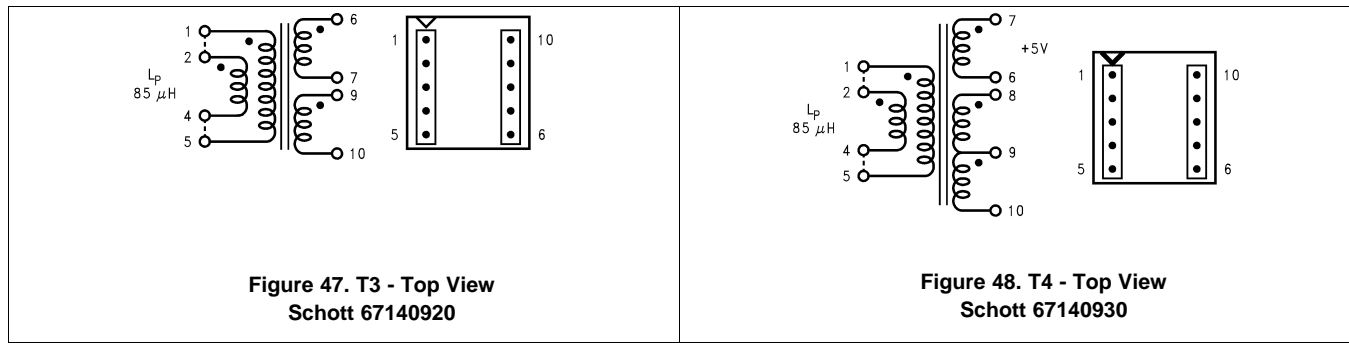


Figure 47. T3 - Top View  
Schott 67140920

Figure 48. T4 - Top View  
Schott 67140930

### 8.2.1.2 Detailed Design Procedure

#### 8.2.1.2.1 Custom Design With WEBENCH® Tools

[Click here](#) to create a custom design using the LM2588 device with the WEBENCH® Power Designer.

1. Start by entering the input voltage ( $V_{IN}$ ), output voltage ( $V_{OUT}$ ), and output current ( $I_{OUT}$ ) requirements.
2. Optimize the design for key parameters such as efficiency, footprint, and cost using the optimizer dial.
3. Compare the generated design with other possible solutions from Texas Instruments.

The WEBENCH Power Designer provides a customized schematic along with a list of materials with real-time pricing and component availability.

In most cases, these actions are available:

- Run electrical simulations to see important waveforms and circuit performance
- Run thermal simulations to understand board thermal performance
- Export customized schematic and layout into popular CAD formats
- Print PDF reports for the design, and share the design with colleagues

Get more information about WEBENCH tools at [www.ti.com/WEBENCH](http://www.ti.com/WEBENCH).

#### 8.2.1.2.2 Flyback Regulator Input Capacitors

A flyback regulator draws discontinuous pulses of current from the input supply. Therefore, there are two input capacitors needed in a flyback regulator—one for energy storage and one for filtering (see [Figure 24](#)). Both are required due to the inherent operation of a flyback regulator. To keep a stable or constant voltage supply to the LM2588, a storage capacitor ( $\geq 100 \mu\text{F}$ ) is required. If the input source is a rectified DC supply and/or the application has a wide temperature range, the required rms current rating of the capacitor might be very large. This means a larger value of capacitance or a higher voltage rating will be needed for the input capacitor. The storage capacitor will also attenuate noise which may interfere with other circuits connected to the same input supply voltage.

In addition, a small bypass capacitor is required due to the noise generated by the input current pulses. To eliminate the noise, insert a 1- $\mu\text{F}$  ceramic capacitor between  $V_{IN}$  and ground as close as possible to the device.

#### 8.2.1.2.3 Switch Voltage Limits

In a flyback regulator, the maximum steady-state voltage appearing at the switch, when it is off, is set by the transformer turns ratio,  $N$ , the output voltage,  $V_{OUT}$ , and the maximum input voltage,  $V_{IN}$  (maximum):

$$V_{SW(OFF)} = V_{IN}(\text{max}) + (V_{OUT} + V_F) / N$$

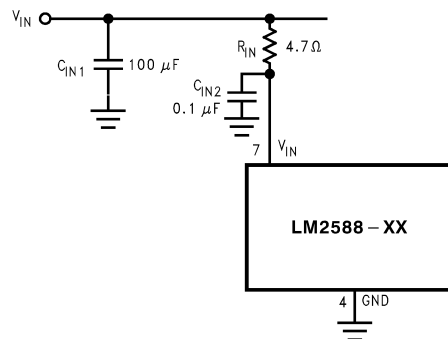
where

- $V_F$  is the forward biased voltage of the output diode, and is typically 0.5 V for Schottky diodes and 0.8V for ultra-fast recovery diodes (3)

In certain circuits, there exists a voltage spike,  $V_{LL}$ , superimposed on top of the steady-state voltage (see Figure 18, waveform A). Usually, this voltage spike is caused by the transformer leakage inductance and/or the output rectifier recovery time. To “clamp” the voltage at the switch from exceeding its maximum value, a transient suppressor in series with a diode is inserted across the transformer primary (as shown in the circuit in Figure 16 and other flyback regulator circuits throughout the datasheet). The schematic in Figure 24 shows another method of clamping the switch voltage. A single voltage transient suppressor (the SA51A) is inserted at the switch pin. This method clamps the total voltage across the switch, not just the voltage across the primary.

If poor circuit layout techniques are used (see the section), negative voltage transients may appear on the Switch pin (pin 5). Applying a negative voltage (with respect to the IC's ground) to any monolithic IC pin causes erratic and unpredictable operation of that IC. This holds true for the LM2588 IC as well. When used in a flyback regulator, the voltage at the Switch pin (pin 5) can go negative when the switch turns on. The “ringing” voltage at the switch pin is caused by the output diode capacitance and the transformer leakage inductance forming a resonant circuit at the secondary(ies). The resonant circuit generates the “ringing” voltage, which gets reflected back through the transformer to the switch pin. There are two common methods to avoid this problem. One is to add an RC snubber around the output rectifier(s), as in Figure 24. The values of the resistor and the capacitor must be chosen so that the voltage at the Switch pin does not drop below  $-0.4$  V. The resistor may range in value between  $10\Omega$  and  $1$  k $\Omega$ , and the capacitor will vary from  $0.001 \mu\text{F}$  to  $0.1 \mu\text{F}$ . Adding a snubber will (slightly) reduce the efficiency of the overall circuit.

The other method to reduce or eliminate the “ringing” is to insert a Schottky diode clamp between pins 5 and 4 (ground), also shown in Figure 24. This prevents the voltage at pin 5 from dropping below  $-0.4$  V. The reverse voltage rating of the diode must be greater than the switch off voltage.



**Figure 49. Input Line Filter**

**8.2.1.2.4 Output Voltage Limitations**

The maximum output voltage of a boost regulator is the maximum switch voltage minus a diode drop. In a flyback regulator, the maximum output voltage is determined by the turns ratio,  $N$ , and the duty cycle,  $D$ , by the equation:

$$V_{OUT} \approx N \times V_{IN} \times D / (1 - D) \tag{4}$$

The duty cycle of a flyback regulator is determined by the following equation:

$$D = \frac{V_{OUT} + V_F}{N(V_{IN} - V_{SAT}) + V_{OUT} + V_F} \approx \frac{V_{OUT}}{N(V_{IN}) + V_{OUT}} \tag{5}$$

Theoretically, the maximum output voltage can be as large as desired—just keep increasing the turns ratio of the transformer. However, there exists some physical limitations that prevent the turns ratio, and thus the output voltage, from increasing to infinity. The physical limitations are capacitances and inductances in the LM2588 switch, the output diode(s), and the transformer—such as reverse recovery time of the output diode (mentioned above).

### 8.2.1.2.5 Noisy Input Line Condition

A small, low-pass RC filter should be used at the input pin of the LM2588 if the input voltage has an unusually large amount of transient noise, such as with an input switch that bounces. The circuit in [Figure 49](#) demonstrates the layout of the filter, with the capacitor placed from the input pin to ground and the resistor placed between the input supply and the input pin. Note that the values of  $R_{IN}$  and  $C_{IN}$  shown in the schematic are good enough for most applications, but some readjusting might be required for a particular application. If efficiency is a major concern, replace the resistor with a small inductor (say 10  $\mu$ H and rated at 200 mA).

### 8.2.1.2.6 Stability

All current-mode controlled regulators can suffer from an instability, known as subharmonic oscillation, if they operate with a duty cycle above 50%. To eliminate subharmonic oscillations, a minimum value of inductance is required to ensure stability for all boost and flyback regulators. The minimum inductance is given by:

$$L(\text{Min}) = \frac{2.92 [(V_{IN}(\text{Min}) - V_{SAT}) \cdot (2D(\text{Max}) - 1)]}{1 - D(\text{Max})} (\mu\text{H})$$

where

- $V_{SAT}$  is the switch saturation voltage and can be found in [Typical Characteristics](#) (6)

## 8.2.2 Typical Boost Regulator Applications

[Figure 50](#) and [Figure 51](#) through [Figure 53](#) show four typical boost applications—one fixed and three using the adjustable version of the LM2588. Each drawing contains the part number(s) and manufacturer(s) for every component. For the fixed 12-V output application, the part numbers and manufacturers' names for the inductor are listed in a table in [Table 4](#). For applications with different output voltages, refer to the *Switchers Made Simple™ software*.

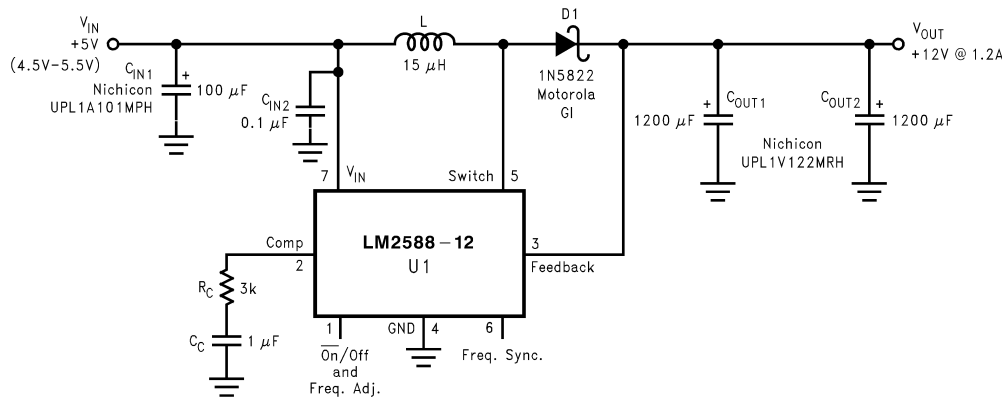


Figure 50. 5-V to 12-V Boost Regulator

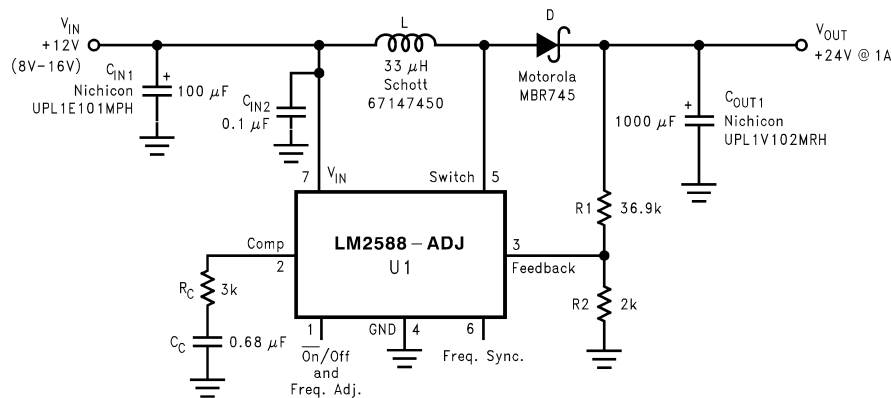


Figure 51. 12-V to 24-V Boost Regulator

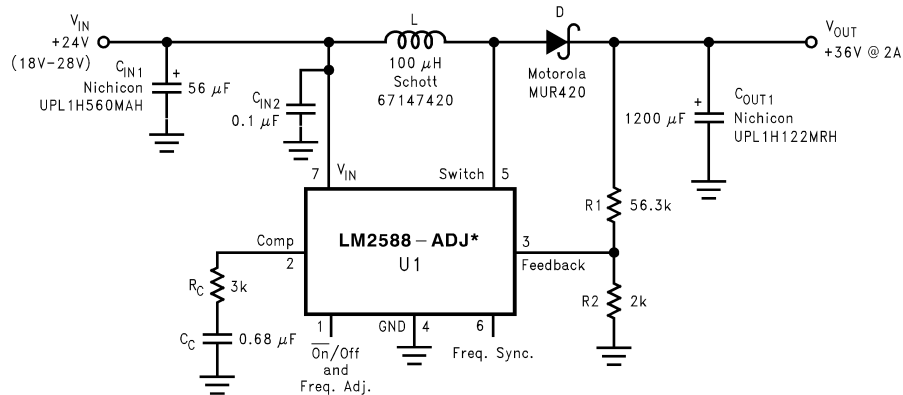
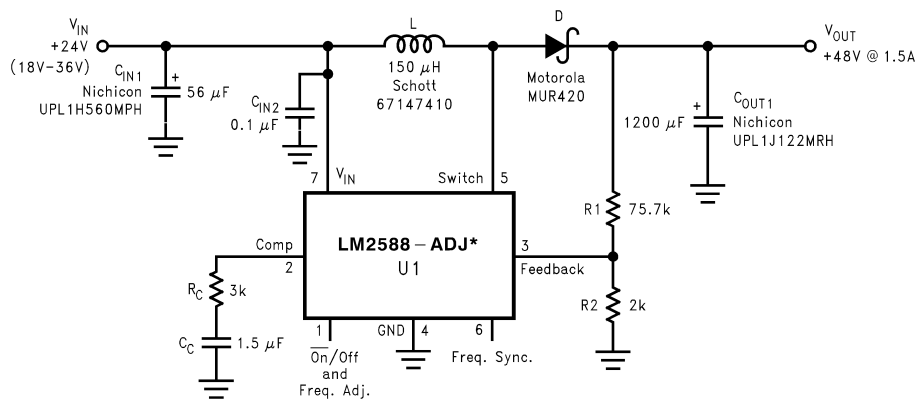


Figure 52. 24-V to 36-V Boost Regulator



\*The LM2588 requires a heat sink in these applications. The size of the heat sink will depend on the maximum ambient temperature. To calculate the thermal resistance of the IC and the size of the heat sink needed, see the [Heat Sink/Thermal Considerations](#) section in [Layout](#).

Figure 53. 24-V to 48-V Boost Regulator

### 8.2.2.1 Design Requirements

Table 4 contains a table of standard inductors, by part number and corresponding manufacturer, for the fixed output regulator of Figure 50.

Table 4. Inductor Selection Table

| Coilcraft <sup>(1)</sup> | Pulse <sup>(2)</sup> | Renco <sup>(3)</sup> | Schott <sup>(4)</sup> |
|--------------------------|----------------------|----------------------|-----------------------|
| R4793-A                  | PE-53900             | RL-5472-5            | 67146520              |

- (1) Coilcraft Inc., Phone: (800) 322-2645 1102 Silver Lake Road, Cary, IL 60013: Fax: (708) 639-1469 European Headquarters, 21 Napier Place: Phone: +44 1236 730 595 Wardpark North, Cumbernauld, Scotland G68 0LL: Fax: +44 1236 730 627
- (2) Pulse Engineering Inc., Phone: (619) 674-8100 12220 World Trade Drive, San Diego, CA 92128: Fax: (619) 674-8262 European Headquarters, Dunmore Road: Phone: +353 93 24 107 Tuam, Co. Galway, Ireland: Fax: +353 93 24 459
- (3) Renco Electronics Inc., Phone: (800) 645-5828 60 Jeffryn Blvd. East, Deer Park, NY 11729: Fax: (516) 586-5562
- (4) Schott Corp., Phone: (612) 475-1173 1000 Parkers Lane Road, Wayzata, MN 55391: Fax: (612) 475-1786

## LM2588

SNVS117E –APRIL 1998–REVISED JUNE 2019

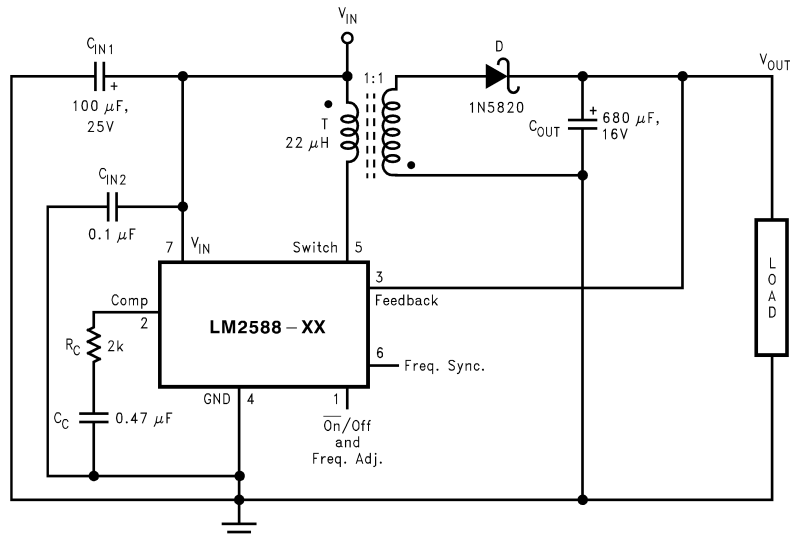
www.ti.com

### 8.2.2.2 Detailed Design Procedure

See [Detailed Design Procedure](#)

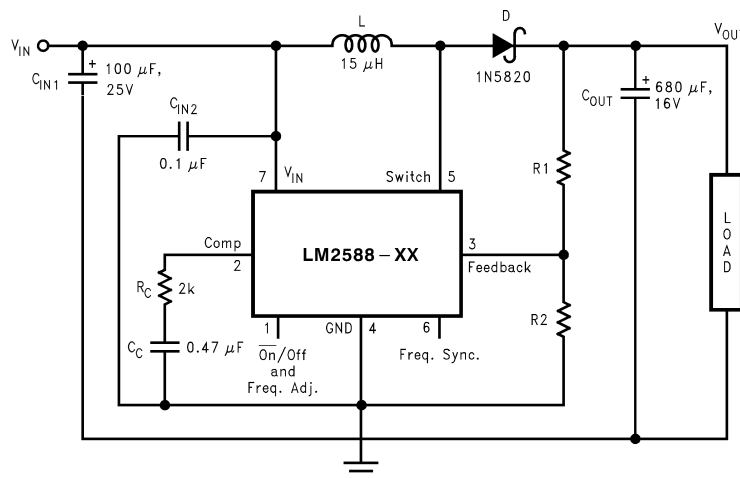
## 8.3 System Examples

### 8.3.1 Test Circuits



$C_{IN1}$ —100  $\mu$ F, 25V Aluminum Electrolytic  $C_{IN2}$ —0.1  $\mu$ F Ceramic  $T$ —22  $\mu$ H, 1:1 Schott #67141450D—1N5820  $C_{OUT}$ —680  $\mu$ F, 16V Aluminum Electrolytic  $C_C$ —0.47  $\mu$ F Ceramic  $R_C$ —2k

**Figure 54. 3.3-V and 5-V LM2588**



$C_{IN1}$ —100  $\mu$ F, 25V Aluminum Electrolytic  $C_{IN2}$ —0.1  $\mu$ F Ceramic  $L$ —15  $\mu$ H, Renco #RL-5472-5D—1N5820  $C_{OUT}$ —680  $\mu$ F, 16V Aluminum Electrolytic  $C_C$ —0.47  $\mu$ F Ceramic  $R_C$ —2k For 12V Devices: R1 = Short (0 $\Omega$ ) and R2 = Open For ADJ Devices: R1 = 48.75k,  $\pm$ 0.1% and R2 = 5.62k,  $\pm$ 0.1%

**Figure 55. 12-V and Adjustable LM2588**

## 9 Layout

### 9.1 Layout Guidelines

As in any switching regulator, layout is very important. Rapidly switching currents associated with wiring inductance generate voltage transients which can cause problems. For minimal inductance and ground loops, keep the length of the leads and traces as short as possible. Use single point grounding or ground plane construction for best results. Separate the signal grounds from the power grounds (as indicated in Figure 56). When using the Adjustable version, physically locate the programming resistors as near the regulator IC as possible, to keep the sensitive feedback wiring short.

### 9.2 Layout Example

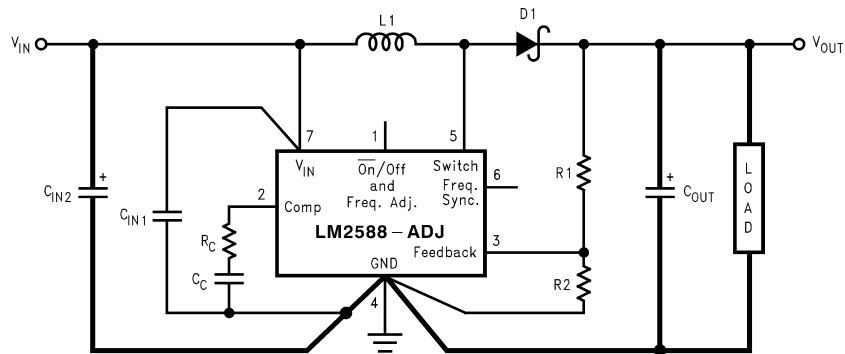


Figure 56. Circuit Board Layout

### 9.3 Heat Sink/Thermal Considerations

In many cases, a heat sink is not required to keep the LM2588 junction temperature within the allowed operating temperature range. For each application, to determine whether or not a heat sink will be required, the following must be identified:

- 1) Maximum ambient temperature (in the application).
- 2) Maximum regulator power dissipation (in the application).
- 3) Maximum allowed junction temperature (125°C for the LM2588). For a safe, conservative design, a temperature approximately 15°C cooler than the maximum junction temperature should be selected (110°C).
- 4) LM2588 package thermal resistances  $\theta_{JA}$  and  $\theta_{JC}$  (given in the Electrical Characteristics).

Total power dissipated ( $P_D$ ) by the LM2588 can be estimated as follows:

Boost:

$$P_D = 0.15\Omega \cdot \left( \frac{I_{LOAD}}{1-D} \right)^2 \cdot D + \frac{I_{LOAD}}{50 \cdot (1-D)} \cdot D \cdot V_{IN}$$

Flyback:

$$P_D = 0.15\Omega \cdot \left( \frac{N \cdot \sum I_{LOAD}}{1-D} \right)^2 \cdot D + \frac{N \cdot \sum I_{LOAD}}{50 \cdot (1-D)} \cdot D \cdot V_{IN}$$

(7)

$V_{IN}$  is the minimum input voltage,  $V_{OUT}$  is the output voltage,  $N$  is the transformer turns ratio,  $D$  is the duty cycle, and  $I_{LOAD}$  is the maximum load current (and  $\sum I_{LOAD}$  is the sum of the maximum load currents for multiple-output flyback regulators). The duty cycle is given by:

Boost:

## Heat Sink/Thermal Considerations (continued)

$$D = \frac{V_{OUT} + V_F - V_{IN}}{V_{OUT} + V_F - V_{SAT}} \approx \frac{V_{OUT} - V_{IN}}{V_{OUT}}$$

Flyback:

$$D = \frac{V_{OUT} + V_F}{N(V_{IN} - V_{SAT}) + V_{OUT} + V_F} \approx \frac{V_{OUT}}{N(V_{IN}) + V_{OUT}}$$

where

- $V_F$  is the forward biased voltage of the diode and is typically 0.5V for Schottky diodes and 0.8V for fast recovery diodes
- $V_{SAT}$  is the switch saturation voltage and can be found in the Characteristic Curves. (8)

When no heat sink is used, the junction temperature rise is:

$$\Delta T_J = P_D \cdot \theta_{JA} \quad (9)$$

Adding the junction temperature rise to the maximum ambient temperature gives the actual operating junction temperature:

$$T_J = \Delta T_J + T_A \quad (10)$$

If the operating junction temperature exceeds the maximum junction temperature in item 3 above, then a heat sink is required. When using a heat sink, the junction temperature rise can be determined by the following:

$$\Delta T_J = P_D \cdot (\theta_{JC} + \theta_{Interface} + \theta_{Heat\ Sink}) \quad (11)$$

Again, the operating junction temperature will be:

$$T_J = \Delta T_J + T_A \quad (12)$$

As before, if the maximum junction temperature is exceeded, a larger heat sink is required (one that has a lower thermal resistance).

Included in the *Switchers Made Simple*<sup>™</sup> design software is a more precise (non-linear) thermal model that can be used to determine junction temperature with different input-output parameters or different component values. It can also calculate the heat sink thermal resistance required to maintain the regulator junction temperature below the maximum operating temperature.

## 10 Device and Documentation Support

### 10.1 Device Support

#### 10.1.1 Third-Party Products Disclaimer

TI'S PUBLICATION OF INFORMATION REGARDING THIRD-PARTY PRODUCTS OR SERVICES DOES NOT CONSTITUTE AN ENDORSEMENT REGARDING THE SUITABILITY OF SUCH PRODUCTS OR SERVICES OR A WARRANTY, REPRESENTATION OR ENDORSEMENT OF SUCH PRODUCTS OR SERVICES, EITHER ALONE OR IN COMBINATION WITH ANY TI PRODUCT OR SERVICE.

#### 10.1.2 Development Support

##### 10.1.2.1 Custom Design With WEBENCH® Tools

[Click here](#) to create a custom design using the LM2586 device with the WEBENCH® Power Designer.

1. Start by entering the input voltage ( $V_{IN}$ ), output voltage ( $V_{OUT}$ ), and output current ( $I_{OUT}$ ) requirements.
2. Optimize the design for key parameters such as efficiency, footprint, and cost using the optimizer dial.
3. Compare the generated design with other possible solutions from Texas Instruments.

The WEBENCH Power Designer provides a customized schematic along with a list of materials with real-time pricing and component availability.

In most cases, these actions are available:

- Run electrical simulations to see important waveforms and circuit performance
- Run thermal simulations to understand board thermal performance
- Export customized schematic and layout into popular CAD formats
- Print PDF reports for the design, and share the design with colleagues

Get more information about WEBENCH tools at [www.ti.com/WEBENCH](http://www.ti.com/WEBENCH).

### 10.2 Receiving Notification of Documentation Updates

To receive notification of documentation updates, navigate to the device product folder on ti.com. In the upper right corner, click on *Alert me* to register and receive a weekly digest of any product information that has changed. For change details, review the revision history included in any revised document.

### 10.3 Community Resources

The following links connect to TI community resources. Linked contents are provided "AS IS" by the respective contributors. They do not constitute TI specifications and do not necessarily reflect TI's views; see TI's [Terms of Use](#).

**TI E2E™ Online Community** *TI's Engineer-to-Engineer (E2E) Community*. Created to foster collaboration among engineers. At [e2e.ti.com](http://e2e.ti.com), you can ask questions, share knowledge, explore ideas and help solve problems with fellow engineers.

**Design Support** *TI's Design Support* Quickly find helpful E2E forums along with design support tools and contact information for technical support.

### 10.4 Trademarks

*Switchers Made Simple*, E2E are trademarks of Texas Instruments.

WEBENCH is a registered trademark of Texas Instruments.

Switchers Made Simple is a registered trademark of dcl\_owner.

All other trademarks are the property of their respective owners.

## 10.5 Electrostatic Discharge Caution



This integrated circuit can be damaged by ESD. Texas Instruments recommends that all integrated circuits be handled with appropriate precautions. Failure to observe proper handling and installation procedures can cause damage.

ESD damage can range from subtle performance degradation to complete device failure. Precision integrated circuits may be more susceptible to damage because very small parametric changes could cause the device not to meet its published specifications.

## 10.6 Glossary

[SLYZ022](#) — *TI Glossary*.

This glossary lists and explains terms, acronyms, and definitions.

## 11 Mechanical, Packaging, and Orderable Information

The following pages include mechanical, packaging, and orderable information. This information is the most current data available for the designated devices. This data is subject to change without notice and revision of this document. For browser-based versions of this data sheet, refer to the left-hand navigation.

## PACKAGING INFORMATION

| Orderable part number             | Status<br>(1) | Material type<br>(2) | Package   Pins            | Package qty   Carrier | RoHS<br>(3) | Lead finish/<br>Ball material<br>(4) | MSL rating/<br>Peak reflow<br>(5) | Op temp (°C) | Part marking<br>(6) |
|-----------------------------------|---------------|----------------------|---------------------------|-----------------------|-------------|--------------------------------------|-----------------------------------|--------------|---------------------|
| <a href="#">LM2588S-12/NOPB</a>   | Active        | Production           | DDPAK/TO-263<br>(KTW)   7 | 45   TUBE             | ROHS Exempt | SN                                   | Level-3-245C-168 HR               | -40 to 125   | LM2588S<br>-12 P+   |
| LM2588S-12/NOPB.B                 | Active        | Production           | DDPAK/TO-263<br>(KTW)   7 | 45   TUBE             | ROHS Exempt | SN                                   | Level-3-245C-168 HR               | -40 to 125   | LM2588S<br>-12 P+   |
| <a href="#">LM2588S-3.3/NOPB</a>  | Active        | Production           | DDPAK/TO-263<br>(KTW)   7 | 45   TUBE             | ROHS Exempt | SN                                   | Level-3-245C-168 HR               | -40 to 125   | LM2588S<br>-3.3 P+  |
| LM2588S-3.3/NOPB.B                | Active        | Production           | DDPAK/TO-263<br>(KTW)   7 | 45   TUBE             | ROHS Exempt | SN                                   | Level-3-245C-168 HR               | -40 to 125   | LM2588S<br>-3.3 P+  |
| <a href="#">LM2588S-5.0/NOPB</a>  | Active        | Production           | DDPAK/TO-263<br>(KTW)   7 | 45   TUBE             | ROHS Exempt | SN                                   | Level-3-245C-168 HR               | -40 to 125   | LM2588S<br>-5.0 P+  |
| LM2588S-5.0/NOPB.B                | Active        | Production           | DDPAK/TO-263<br>(KTW)   7 | 45   TUBE             | ROHS Exempt | SN                                   | Level-3-245C-168 HR               | -40 to 125   | LM2588S<br>-5.0 P+  |
| <a href="#">LM2588S-ADJ/NOPB</a>  | Active        | Production           | DDPAK/TO-263<br>(KTW)   7 | 45   TUBE             | ROHS Exempt | SN                                   | Level-3-245C-168 HR               | -40 to 125   | LM2588S<br>-ADJ P+  |
| LM2588S-ADJ/NOPB.B                | Active        | Production           | DDPAK/TO-263<br>(KTW)   7 | 45   TUBE             | ROHS Exempt | SN                                   | Level-3-245C-168 HR               | -40 to 125   | LM2588S<br>-ADJ P+  |
| <a href="#">LM2588SX-12/NOPB</a>  | Active        | Production           | DDPAK/TO-263<br>(KTW)   7 | 500   LARGE T&R       | ROHS Exempt | SN                                   | Level-3-245C-168 HR               | -40 to 125   | LM2588S<br>-12 P+   |
| LM2588SX-12/NOPB.B                | Active        | Production           | DDPAK/TO-263<br>(KTW)   7 | 500   LARGE T&R       | ROHS Exempt | SN                                   | Level-3-245C-168 HR               | -40 to 125   | LM2588S<br>-12 P+   |
| <a href="#">LM2588SX-3.3/NOPB</a> | Active        | Production           | DDPAK/TO-263<br>(KTW)   7 | 500   LARGE T&R       | ROHS Exempt | SN                                   | Level-3-245C-168 HR               | -40 to 125   | LM2588S<br>-3.3 P+  |
| LM2588SX-3.3/NOPB.B               | Active        | Production           | DDPAK/TO-263<br>(KTW)   7 | 500   LARGE T&R       | ROHS Exempt | SN                                   | Level-3-245C-168 HR               | -40 to 125   | LM2588S<br>-3.3 P+  |
| <a href="#">LM2588SX-5.0/NOPB</a> | Active        | Production           | DDPAK/TO-263<br>(KTW)   7 | 500   LARGE T&R       | ROHS Exempt | SN                                   | Level-3-245C-168 HR               | -40 to 125   | LM2588S<br>-5.0 P+  |
| LM2588SX-5.0/NOPB.B               | Active        | Production           | DDPAK/TO-263<br>(KTW)   7 | 500   LARGE T&R       | ROHS Exempt | SN                                   | Level-3-245C-168 HR               | -40 to 125   | LM2588S<br>-5.0 P+  |
| <a href="#">LM2588SX-ADJ/NOPB</a> | Active        | Production           | DDPAK/TO-263<br>(KTW)   7 | 500   LARGE T&R       | ROHS Exempt | SN                                   | Level-3-245C-168 HR               | -40 to 125   | LM2588S<br>-ADJ P+  |
| LM2588SX-ADJ/NOPB.B               | Active        | Production           | DDPAK/TO-263<br>(KTW)   7 | 500   LARGE T&R       | ROHS Exempt | SN                                   | Level-3-245C-168 HR               | -40 to 125   | LM2588S<br>-ADJ P+  |

| Orderable part number            | Status<br>(1) | Material type<br>(2) | Package   Pins   | Package qty   Carrier | RoHS<br>(3) | Lead finish/<br>Ball material<br>(4) | MSL rating/<br>Peak reflow<br>(5) | Op temp (°C) | Part marking<br>(6) |
|----------------------------------|---------------|----------------------|------------------|-----------------------|-------------|--------------------------------------|-----------------------------------|--------------|---------------------|
| <a href="#">LM2588T-3.3/NOPB</a> | Active        | Production           | TO-220 (NDZ)   7 | 45   TUBE             | ROHS Exempt | SN                                   | Level-1-NA-UNLIM                  | -40 to 125   | LM2588T<br>-3.3 P+  |
| LM2588T-3.3/NOPB.B               | Active        | Production           | TO-220 (NDZ)   7 | 45   TUBE             | ROHS Exempt | SN                                   | Level-1-NA-UNLIM                  | -40 to 125   | LM2588T<br>-3.3 P+  |
| <a href="#">LM2588T-5.0/NOPB</a> | Active        | Production           | TO-220 (NDZ)   7 | 45   TUBE             | ROHS Exempt | SN                                   | Level-1-NA-UNLIM                  | -40 to 125   | LM2588T<br>-5.0 P+  |
| LM2588T-5.0/NOPB.B               | Active        | Production           | TO-220 (NDZ)   7 | 45   TUBE             | ROHS Exempt | SN                                   | Level-1-NA-UNLIM                  | -40 to 125   | LM2588T<br>-5.0 P+  |
| <a href="#">LM2588T-ADJ/NOPB</a> | Active        | Production           | TO-220 (NDZ)   7 | 45   TUBE             | ROHS Exempt | SN                                   | Level-1-NA-UNLIM                  | -40 to 125   | LM2588T<br>-ADJ P+  |
| LM2588T-ADJ/NOPB.B               | Active        | Production           | TO-220 (NDZ)   7 | 45   TUBE             | ROHS Exempt | SN                                   | Level-1-NA-UNLIM                  | -40 to 125   | LM2588T<br>-ADJ P+  |

(1) **Status:** For more details on status, see our [product life cycle](#).

(2) **Material type:** When designated, preproduction parts are prototypes/experimental devices, and are not yet approved or released for full production. Testing and final process, including without limitation quality assurance, reliability performance testing, and/or process qualification, may not yet be complete, and this item is subject to further changes or possible discontinuation. If available for ordering, purchases will be subject to an additional waiver at checkout, and are intended for early internal evaluation purposes only. These items are sold without warranties of any kind.

(3) **RoHS values:** Yes, No, RoHS Exempt. See the [TI RoHS Statement](#) for additional information and value definition.

(4) **Lead finish/Ball material:** Parts may have multiple material finish options. Finish options are separated by a vertical ruled line. Lead finish/Ball material values may wrap to two lines if the finish value exceeds the maximum column width.

(5) **MSL rating/Peak reflow:** The moisture sensitivity level ratings and peak solder (reflow) temperatures. In the event that a part has multiple moisture sensitivity ratings, only the lowest level per JEDEC standards is shown. Refer to the shipping label for the actual reflow temperature that will be used to mount the part to the printed circuit board.

(6) **Part marking:** There may be an additional marking, which relates to the logo, the lot trace code information, or the environmental category of the part.

Multiple part markings will be inside parentheses. Only one part marking contained in parentheses and separated by a "~" will appear on a part. If a line is indented then it is a continuation of the previous line and the two combined represent the entire part marking for that device.

**Important Information and Disclaimer:** The information provided on this page represents TI's knowledge and belief as of the date that it is provided. TI bases its knowledge and belief on information provided by third parties, and makes no representation or warranty as to the accuracy of such information. Efforts are underway to better integrate information from third parties. TI has taken and continues to take reasonable steps to provide representative

and accurate information but may not have conducted destructive testing or chemical analysis on incoming materials and chemicals. TI and TI suppliers consider certain information to be proprietary, and thus CAS numbers and other limited information may not be available for release.

In no event shall TI's liability arising out of such information exceed the total purchase price of the TI part(s) at issue in this document sold by TI to Customer on an annual basis.

**TAPE AND REEL INFORMATION**

**QUADRANT ASSIGNMENTS FOR PIN 1 ORIENTATION IN TAPE**


\*All dimensions are nominal

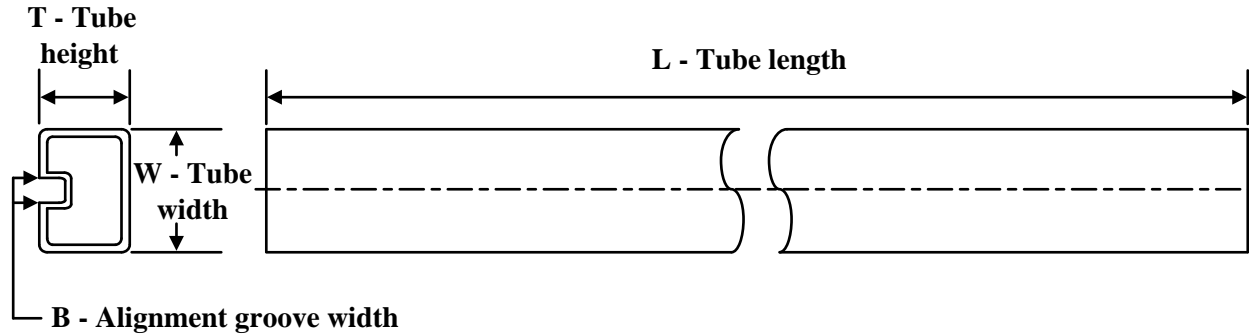
| Device            | Package Type     | Package Drawing | Pins | SPQ | Reel Diameter (mm) | Reel Width W1 (mm) | A0 (mm) | B0 (mm) | K0 (mm) | P1 (mm) | W (mm) | Pin1 Quadrant |
|-------------------|------------------|-----------------|------|-----|--------------------|--------------------|---------|---------|---------|---------|--------|---------------|
| LM2588SX-12/NOPB  | DDPAK/<br>TO-263 | KTW             | 7    | 500 | 330.0              | 24.4               | 10.75   | 14.85   | 5.0     | 16.0    | 24.0   | Q2            |
| LM2588SX-3.3/NOPB | DDPAK/<br>TO-263 | KTW             | 7    | 500 | 330.0              | 24.4               | 10.75   | 14.85   | 5.0     | 16.0    | 24.0   | Q2            |
| LM2588SX-5.0/NOPB | DDPAK/<br>TO-263 | KTW             | 7    | 500 | 330.0              | 24.4               | 10.75   | 14.85   | 5.0     | 16.0    | 24.0   | Q2            |
| LM2588SX-ADJ/NOPB | DDPAK/<br>TO-263 | KTW             | 7    | 500 | 330.0              | 24.4               | 10.75   | 14.85   | 5.0     | 16.0    | 24.0   | Q2            |

## TAPE AND REEL BOX DIMENSIONS



\*All dimensions are nominal

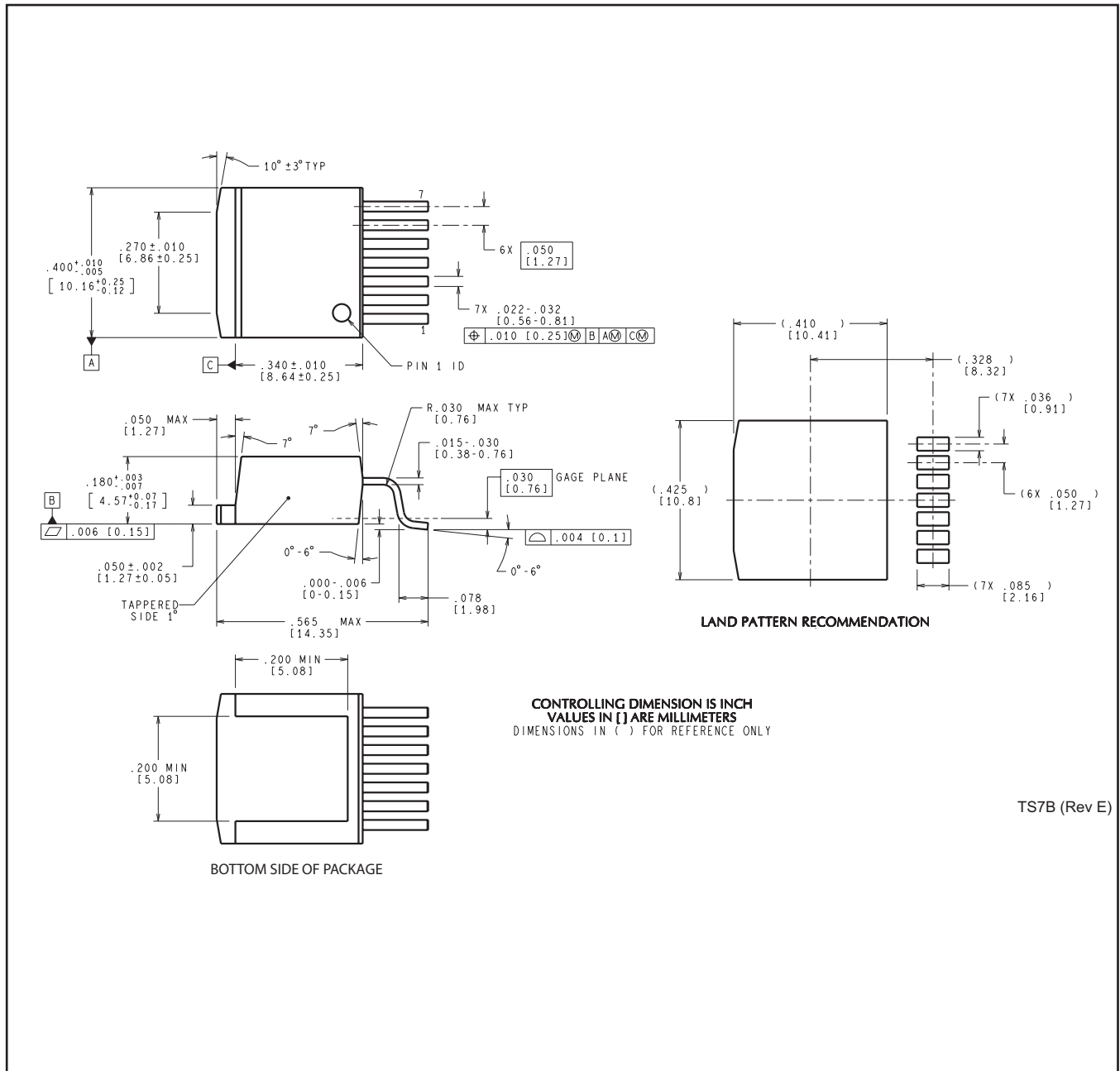
| Device            | Package Type | Package Drawing | Pins | SPQ | Length (mm) | Width (mm) | Height (mm) |
|-------------------|--------------|-----------------|------|-----|-------------|------------|-------------|
| LM2588SX-12/NOPB  | DDPAK/TO-263 | KTW             | 7    | 500 | 356.0       | 356.0      | 45.0        |
| LM2588SX-3.3/NOPB | DDPAK/TO-263 | KTW             | 7    | 500 | 356.0       | 356.0      | 45.0        |
| LM2588SX-5.0/NOPB | DDPAK/TO-263 | KTW             | 7    | 500 | 356.0       | 356.0      | 45.0        |
| LM2588SX-ADJ/NOPB | DDPAK/TO-263 | KTW             | 7    | 500 | 356.0       | 356.0      | 45.0        |

**TUBE**


\*All dimensions are nominal

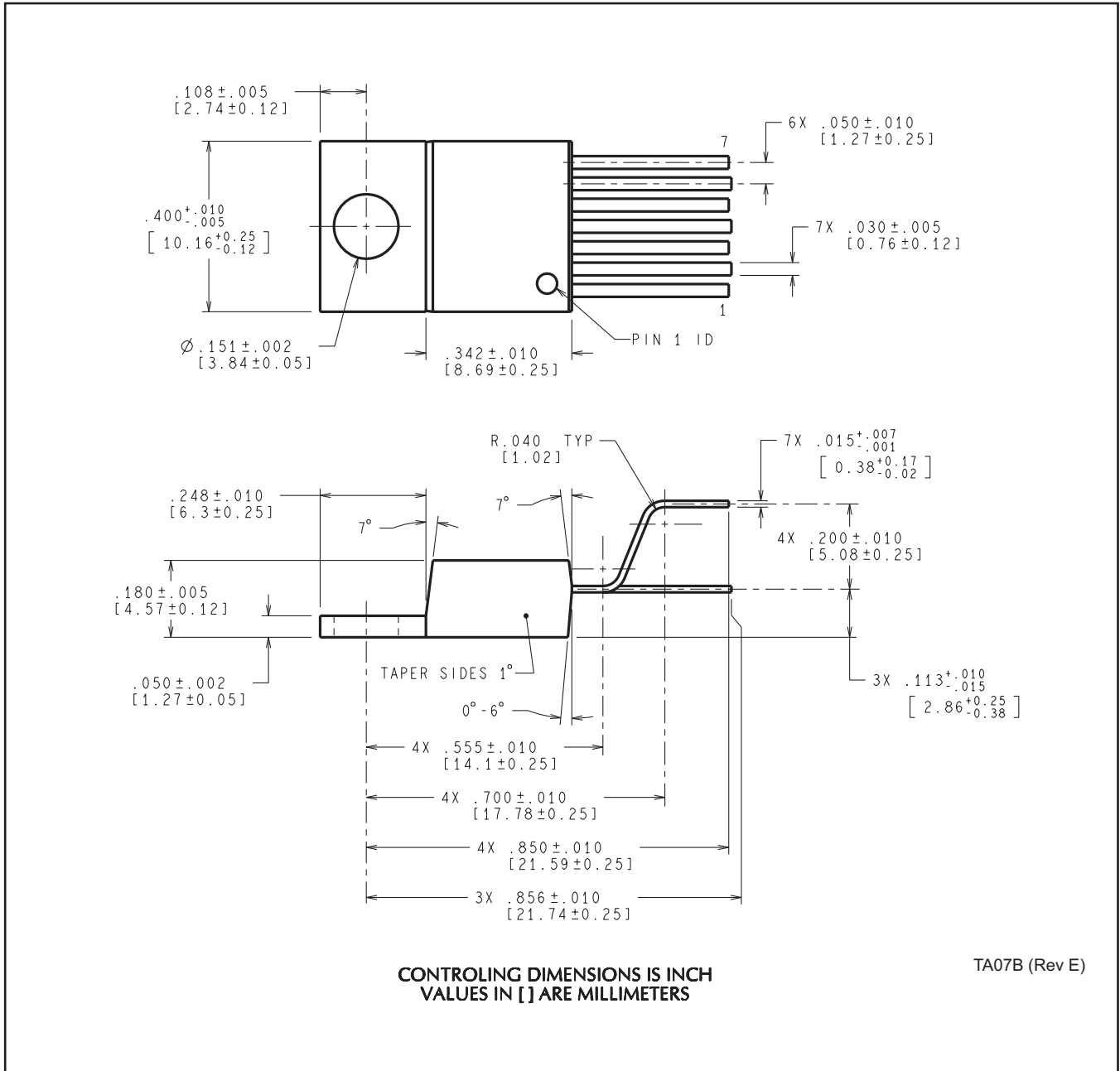
| Device             | Package Name | Package Type | Pins | SPQ | L (mm) | W (mm) | T (μm)  | B (mm) |
|--------------------|--------------|--------------|------|-----|--------|--------|---------|--------|
| LM2588S-12/NOPB    | KTW          | TO-263       | 7    | 45  | 502    | 25     | 8204.2  | 9.19   |
| LM2588S-12/NOPB.B  | KTW          | TO-263       | 7    | 45  | 502    | 25     | 8204.2  | 9.19   |
| LM2588S-3.3/NOPB   | KTW          | TO-263       | 7    | 45  | 502    | 25     | 8204.2  | 9.19   |
| LM2588S-3.3/NOPB.B | KTW          | TO-263       | 7    | 45  | 502    | 25     | 8204.2  | 9.19   |
| LM2588S-5.0/NOPB   | KTW          | TO-263       | 7    | 45  | 502    | 25     | 8204.2  | 9.19   |
| LM2588S-5.0/NOPB.B | KTW          | TO-263       | 7    | 45  | 502    | 25     | 8204.2  | 9.19   |
| LM2588S-ADJ/NOPB   | KTW          | TO-263       | 7    | 45  | 502    | 25     | 8204.2  | 9.19   |
| LM2588S-ADJ/NOPB.B | KTW          | TO-263       | 7    | 45  | 502    | 25     | 8204.2  | 9.19   |
| LM2588T-3.3/NOPB   | NDZ          | TO-220       | 7    | 45  | 502    | 30     | 30048.2 | 10.74  |
| LM2588T-3.3/NOPB.B | NDZ          | TO-220       | 7    | 45  | 502    | 30     | 30048.2 | 10.74  |
| LM2588T-5.0/NOPB   | NDZ          | TO-220       | 7    | 45  | 502    | 30     | 30048.2 | 10.74  |
| LM2588T-5.0/NOPB.B | NDZ          | TO-220       | 7    | 45  | 502    | 30     | 30048.2 | 10.74  |
| LM2588T-ADJ/NOPB   | NDZ          | TO-220       | 7    | 45  | 502    | 30     | 30048.2 | 10.74  |
| LM2588T-ADJ/NOPB.B | NDZ          | TO-220       | 7    | 45  | 502    | 30     | 30048.2 | 10.74  |

KTW0007B



TS7B (Rev E)

NDZ0007B



## IMPORTANT NOTICE AND DISCLAIMER

TI PROVIDES TECHNICAL AND RELIABILITY DATA (INCLUDING DATASHEETS), DESIGN RESOURCES (INCLUDING REFERENCE DESIGNS), APPLICATION OR OTHER DESIGN ADVICE, WEB TOOLS, SAFETY INFORMATION, AND OTHER RESOURCES "AS IS" AND WITH ALL FAULTS, AND DISCLAIMS ALL WARRANTIES, EXPRESS AND IMPLIED, INCLUDING WITHOUT LIMITATION ANY IMPLIED WARRANTIES OF MERCHANTABILITY, FITNESS FOR A PARTICULAR PURPOSE OR NON-INFRINGEMENT OF THIRD PARTY INTELLECTUAL PROPERTY RIGHTS.

These resources are intended for skilled developers designing with TI products. You are solely responsible for (1) selecting the appropriate TI products for your application, (2) designing, validating and testing your application, and (3) ensuring your application meets applicable standards, and any other safety, security, regulatory or other requirements.

These resources are subject to change without notice. TI grants you permission to use these resources only for development of an application that uses the TI products described in the resource. Other reproduction and display of these resources is prohibited. No license is granted to any other TI intellectual property right or to any third party intellectual property right. TI disclaims responsibility for, and you fully indemnify TI and its representatives against any claims, damages, costs, losses, and liabilities arising out of your use of these resources.

TI's products are provided subject to [TI's Terms of Sale](#), [TI's General Quality Guidelines](#), or other applicable terms available either on [ti.com](#) or provided in conjunction with such TI products. TI's provision of these resources does not expand or otherwise alter TI's applicable warranties or warranty disclaimers for TI products. Unless TI explicitly designates a product as custom or customer-specified, TI products are standard, catalog, general purpose devices.

TI objects to and rejects any additional or different terms you may propose.

Copyright © 2026, Texas Instruments Incorporated

Last updated 10/2025