

ADS1235 Precision, 3-Channel, Differential-Input, 7200-SPS, 24-Bit Delta-Sigma ADC for Bridge Sensors

1 Features

- 24-Bit, High-Precision ADC
 - 120,000 Noise-Free Counts (10-mV Input, 10 SPS)
 - Offset Drift: 1 nV/°C
 - Gain Drift: 0.5 ppm/°C
- Three Differential or Five Single-Ended Inputs
- Two Reference Inputs
- Wide Input Voltage Range: ± 7 mV to ± 5 V
- Low-Noise PGA, Gain: 1, 64, and 128
- Data Rate: 2.5 SPS to 7200 SPS
- AC- or DC-Bridge Excitation Option
- Chop Mode for Zero Drift Operation
- Simultaneous 50-Hz and 60-Hz Rejection Mode
- Single-Cycle Settling Mode
- Missing Reference Input Monitor
- Signal Overrange Monitor
- Temperature Sensor
- Cyclic Redundancy Check (CRC)
- 5-V or ± 2.5 -V Power Supply

2 Applications

- Weigh Scales and Strain-Gauge Digitizers
- Dynamic Weigh Systems
- Pressure Measurement
- Process Analytics

3 Description

The ADS1235 is a precision, 7200-SPS, delta-sigma ($\Delta\Sigma$) analog-to-digital converter (ADC) with an integrated programmable gain amplifier (PGA). This device also includes diagnostic features such as PGA overrange and reference monitors. The ADC provides high-accuracy, zero-drift conversion data for high-precision equipment, including weigh scales, strain gauges, and resistive pressure sensors.

The ADC has signal and reference multiplexers that support three differential signal inputs and two reference inputs. The ADC also includes a low-noise PGA that provides gains of 1, 64, and 128. The ADC also has a 24-bit $\Delta\Sigma$ modulator and programmable digital filter.

The high-impedance inputs ($1\text{ G}\Omega$) of the PGA reduce measurement error that is caused by sensor loading.

The ADC supports ac-bridge excitation to remove the drift errors from the sensor wiring. The ADC provides the clock control signals for the ac-excitation operation.

The flexible digital filter is programmable for single-cycle settled conversions, and provides 50-Hz and 60-Hz line cycle rejection at the same time.

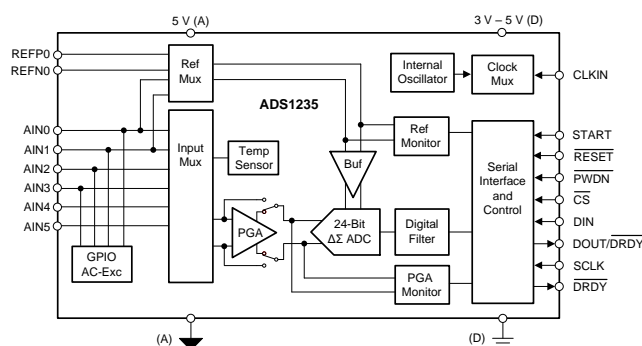
The ADS1235 is available in a 5-mm \times 5-mm QFN package, and is specified across the -40°C to $+125^\circ\text{C}$ temperature range.

Device Information⁽¹⁾

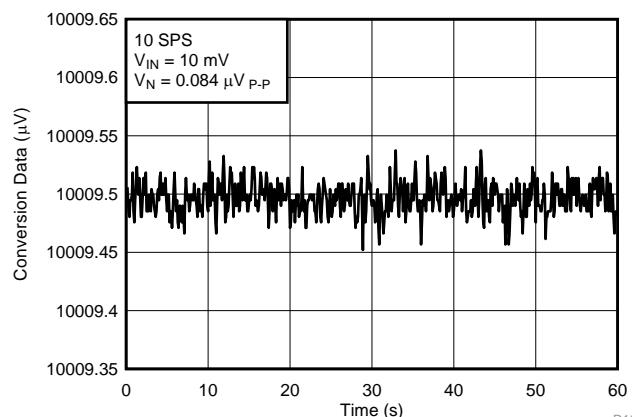
PART NUMBER	PACKAGE	BODY SIZE (NOM)
ADS1235	VQFN (32)	5.0 mm \times 5.0 mm

(1) For all available packages, see the package option addendum at the end of the data sheet.

Block Diagram



ADC Conversion Noise



D109



Table of Contents

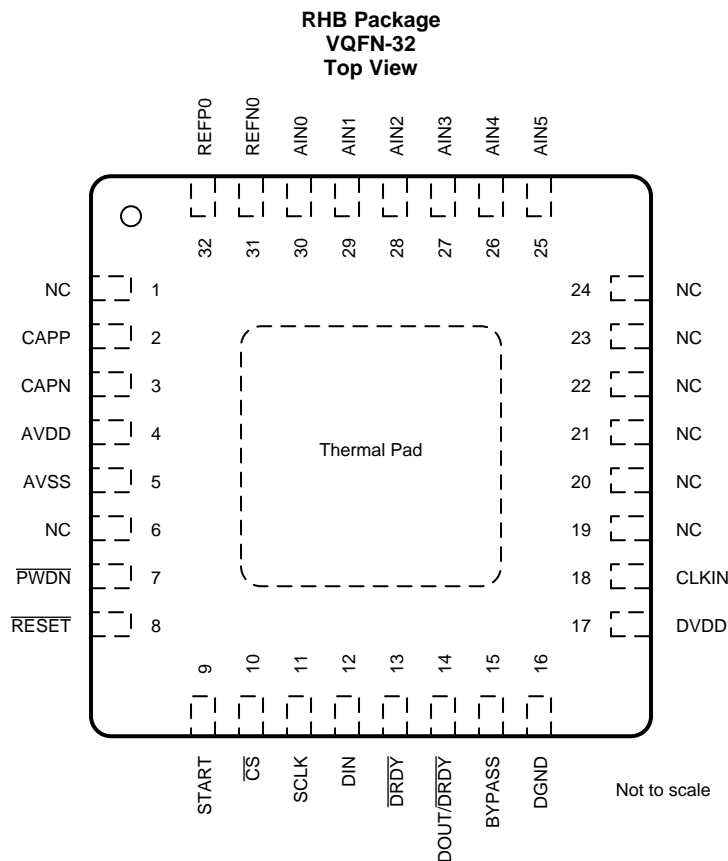
1 Features	1	8.5 Programming.....	39
2 Applications	1	8.6 Register Map.....	48
3 Description	1	9 Application and Implementation	59
4 Revision History	2	9.1 Application Information.....	59
5 Pin Configuration and Functions	3	9.2 Typical Application	63
6 Specifications	4	9.3 Initialization Setup.....	65
6.1 Absolute Maximum Ratings	4	10 Power Supply Recommendations	66
6.2 ESD Ratings.....	4	10.1 Power-Supply Decoupling.....	66
6.3 Recommended Operating Conditions.....	5	10.2 Analog Power-Supply Clamp	66
6.4 Thermal Information	5	10.3 Power-Supply Sequencing.....	66
6.5 Electrical Characteristics.....	6	11 Layout	67
6.6 Timing Requirements	8	11.1 Layout Guidelines	67
6.7 Switching Characteristics	9	11.2 Layout Example	67
6.8 Typical Characteristics.....	12	12 Device and Documentation Support	68
7 Parameter Measurement Information	17	12.1 Documentation Support	68
7.1 Noise Performance	17	12.2 Receiving Notification of Documentation Updates	68
8 Detailed Description	19	12.3 Community Resources.....	68
8.1 Overview	19	12.4 Trademarks	68
8.2 Functional Block Diagram	20	12.5 Electrostatic Discharge Caution.....	68
8.3 Feature Description.....	21	12.6 Glossary	68
8.4 Device Functional Modes.....	32	13 Mechanical, Packaging, and Orderable Information	68

4 Revision History

NOTE: Page numbers for previous revisions may differ from page numbers in the current version.

DATE	REVISION	NOTES
October 2018	*	Initial release.

5 Pin Configuration and Functions



Pin Functions

PIN		TYPE	DESCRIPTION
NO.	NAME		
1	NC	—	No connection; float or connect to AVSS
2	CAPP	Analog output	PGA output P; connect a 4.7-nF C0G dielectric capacitor across CAPP and CAPN
3	CAPN	Analog output	PGA output N; connect a 4.7-nF C0G dielectric capacitor across CAPP and CAPN
4	AVDD	Analog	Positive analog power supply
5	AVSS	Analog	Negative analog power supply
6	NC	—	No connection - solder the pin for mechanical support, float or connect to DGND
7	$\overline{\text{PWDN}}$	Digital input	Power down, active low
8	$\overline{\text{RESET}}$	Digital input	Reset, active low
9	START	Digital input	Start conversion control, active high
10	$\overline{\text{CS}}$	Digital input	Serial interface chip select, active low
11	SCLK	Digital Input	Serial interface shift clock
12	DIN	Digital Input	Serial interface data input
13	$\overline{\text{DRDY}}$	Digital output	Data ready indicator, active low
14	DOUT/ $\overline{\text{DRDY}}$	Digital output	Dual function serial interface data output and active-low data ready indicator
15	BYPASS	Analog output	Internal subregulator bypass; connect a 1- μF capacitor to DGND
16	DGND	Digital	Digital ground
17	DVDD	Digital	Digital power supply
18	CLKIN	Digital input	1) Internal oscillator: connect to DGND, 2) External clock: connect clock input
19-24	NC	—	No connection - solder the pin for mechanical support, float or connect to DGND

Pin Functions (continued)

PIN		TYPE	DESCRIPTION
NO.	NAME		
25	AIN5	Analog input	Analog input 5
26	AIN4	Analog input	Analog input 4
27	AIN3	Analog input/output	Analog input 3, GPIO3, ACX2
28	AIN2	Analog input/output	Analog input 2, GPIO2, ACX1
29	AIN1	Analog input/output	Analog input 1, GPIO1, $\overline{ACX2}$, Reference input 1 negative
30	AIN0	Analog input/output	Analog input 0, GPIO0, $\overline{ACX1}$, Reference input 1 positive
31	REFN0	Analog input/output	Reference input 0 negative
32	REFP0	Analog input/output	Reference input 0 positive
—	Thermal Pad	—	Exposed thermal pad - solder the pad for mechanical support; connect to AVSS.

6 Specifications

6.1 Absolute Maximum Ratings⁽¹⁾

		MIN	MAX	UNIT
Power supply voltage	AVDD to AVSS	-0.3	7	V
	AVSS to DGND	-3	0.3	
	DVDD to DGND	-0.3	7	
Analog input voltage	AINx, REFP0, REFN0	AVSS - 0.3	AVDD + 0.3	V
Digital input voltage	\overline{CS} , SCLK, DIN, DOUT/ \overline{DRDY} , \overline{DRDY} , START, \overline{RESET} , \overline{PWDN} , CLKIN	DGND - 0.3	DVDD + 0.3	V
Input Current	Continuous, all pins except power-supply pins ⁽²⁾	-10	10	mA
Temperature	Junction, T _J		150	°C
	Storage, T _{stg}	-60	150	°C

- (1) Stresses beyond those listed under *Absolute Maximum Ratings* may cause permanent damage to the device. These are stress ratings only, which do not imply functional operation of the device at these or any other conditions beyond those indicated under *Recommended Operating Conditions*. Exposure to absolute-maximum-rated conditions for extended periods may affect device reliability.
- (2) Input and output pins are diode-clamped to the internal power supplies. Limit the input current to 10 mA in the event the analog input voltage exceeds AVDD + 0.3 V or AVSS - 0.3 V, or if the digital input voltage exceeds DVDD + 0.3 V or DGND - 0.3 V.

6.2 ESD Ratings

			VALUE	UNIT
V _(ESD)	Electrostatic discharge	Human-body model (HBM), per ANSI/ESDA/JEDEC JS-001 ⁽¹⁾	±2000	V
		Charged-device model (CDM), per JEDEC specification JESD22-C101 ⁽²⁾	±500	

- (1) JEDEC document JEP155 states that 500-V HBM allows safe manufacturing with a standard ESD control process.
- (2) JEDEC document JEP157 states that 250-V CDM allows safe manufacturing with a standard ESD control process.

6.3 Recommended Operating Conditions

			MIN	NOM	MAX	UNIT
POWER SUPPLY						
	Analog power supply	AVDD to AVSS	4.75	5	5.25	V
		AVSS to DGND	-2.6		0	
	Digital power supply	DVDD to DGND	2.7		5.25	V
ANALOG INPUTS						
$V_{(AINx)}$	Absolute input voltage	PGA mode	See Equation 3			V
		PGA bypassed	AVSS - 0.1		AVDD + 0.1	
V_{IN}	Differential input voltage	$V_{IN} = V_{AINP} - V_{AINN}$	$\pm V_{REF} / \text{Gain}$		See ⁽¹⁾	V
VOLTAGE REFERENCE INPUTS						
V_{REF}	Differential reference voltage	$V_{REF} = V_{(REFPx)} - V_{(REFNx)}$	0.9		AVDD - AVSS	V
$V_{(REFNx)}$	Negative reference voltage		AVSS - 0.05		$V_{(REFPx)} - 0.9$	V
$V_{(REFPx)}$	Positive reference voltage		$V_{(REFNx)} + 0.9$		AVDD + 0.05	V
EXTERNAL CLOCK						
f_{CLK}	Frequency		1	7.3728	8	MHz
	Duty cycle		40%		60%	
GENERAL-PURPOSE INPUTS/OUTPUTS (GPIOs)						
	Input voltage		AVSS		AVDD	V
DIGITAL INPUTS (other than GPIOs)						
	Input voltage		DGND		DVDD	V
TEMPERATURE						
T_A	Operating ambient temperature		-40		125	°C

- (1) In PGA mode, the maximum differential input voltage is $\pm(AVDD - AVSS - 0.6 \text{ V}) / \text{Gain}$, when operating with $V_{REF} \geq AVDD - AVSS - 0.6 \text{ V}$

6.4 Thermal Information

THERMAL METRIC ⁽¹⁾		ADS1235	UNIT
		VQFN (RHB)	
		32 PINS	
$R_{\theta JA}$	Junction-to-ambient thermal resistance	28.6	°C/W
$R_{\theta JC(top)}$	Junction-to-case (top) thermal resistance	17.0	°C/W
$R_{\theta JB}$	Junction-to-board thermal resistance	9.7	°C/W
Ψ_{JT}	Junction-to-top characterization parameter	0.2	°C/W
Ψ_{JB}	Junction-to-board characterization parameter	9.7	°C/W
$R_{\theta JC(bot)}$	Junction-to-case (bottom) thermal resistance	0.7	°C/W

- (1) For more information about traditional and new thermal metrics, see the [Semiconductor and IC Package Thermal Metrics application report](#).

6.5 Electrical Characteristics

Minimum and maximum specifications apply from $T_A = -40^\circ\text{C}$ to $+125^\circ\text{C}$. Typical specifications are at $T_A = 25^\circ\text{C}$.

All specifications at $AVDD = 5\text{ V}$, $AVSS = 0\text{ V}$, $DVDD = 3.3\text{ V}$, $V_{REF} = 5\text{ V}$, $f_{CLK} = 7.3728\text{ MHz}$, PGA mode, gain = 1, and data rate = 20 SPS (unless otherwise noted).

PARAMETER		TEST CONDITIONS	MIN	TYP	MAX	UNIT
ANALOG INPUTS						
	Absolute input current	PGA mode, $V_{(AINx)} = 2.5\text{ V}$		4	6	nA
		PGA bypass		200		
	Absolute input current drift			0.01		nA/°C
	Differential input current	PGA mode, $V_{IN} = 39\text{ mV}$		± 0.1		nA
		PGA mode, $V_{IN} = 2.5\text{ V}$	-3	± 1	3	
		PGA and Chop modes, $V_{IN} = 2.5\text{ V}^{(1)}$		± 5		
		PGA bypass, $V_{IN} = 2.5\text{ V}$		± 40		
	Differential input current drift			0.05		nA/°C
	Differential input impedance	PGA mode		1		G Ω
		PGA bypass		50		M Ω
	Crosstalk			0.1		$\mu\text{V/V}$
PGA						
	Gain settings			1, 64, 128		V/V
	Antialias filter frequency	C_{CAPP} , $C_{APN} = 4.7\text{ nF}$		60		kHz
	Output voltage monitor	Low threshold		$AVSS + 0.2$		V
		High threshold		$AVDD - 0.2$		
PERFORMANCE						
	Resolution	No missing codes	24			Bits
	Equivalent input noise density	Gain = 64 and 128		8		$\text{nV}/\sqrt{\text{Hz}}$
DR	Data rate		2.5		7200	SPS
	Noise performance		See Table 1			
INL	Integral non-linearity	Gain = 1, 64 and 128	-10	± 2	10	ppm_{FSR}
V_{OS}	Offset voltage	$T_A = 25^\circ\text{C}$	-350 / Gain - 5	± 50 / Gain	350 / Gain + 5	μV
		Chop mode	-0.5 / Gain - 0.05	± 0.2 / Gain	0.5 / Gain + 0.05	
		After calibration	on the level of noise			
	Offset voltage drift	Gain = 1		100	350	nV/°C
		Gain = 64 and 128		10	50	
		Chop mode, gain = 1, 64 and 128		1	5	
GE	Gain error	$T_A = 25^\circ\text{C}$	-0.5%	$\pm 0.05\%$	0.5%	
		After calibration	on the level of noise			
	Gain drift			0.5	4	$\text{ppm}/^\circ\text{C}$
NMRR	Normal-mode rejection ratio ⁽²⁾		See Table 5			
CMRR	Common-mode rejection ratio ⁽³⁾	Data rate = 20 SPS		130		dB
		Data rate = 400 SPS	105	115		
PSRR	Power-supply rejection ratio ⁽⁴⁾	AVDD and AVSS	90	100		dB
		DVDD	100	120		
INTERNAL OSCILLATOR						
f_{CLK}	Frequency			7.3728		MHz
	Accuracy		-2%	$\pm 0.5\%$	2%	

(1) Chop-mode input current scales with data rate. See [Figure 27](#) for Chop mode input current at 20 SPS and 1200 SPS.

(2) Normal-mode rejection ratio performance depends on the digital filter configuration.

(3) Common-mode rejection ratio is specified at $f_{IN} = 60\text{ Hz}$.

(4) Power-supply rejection ratio specified at dc.

Electrical Characteristics (continued)

Minimum and maximum specifications apply from $T_A = -40^{\circ}\text{C}$ to $+125^{\circ}\text{C}$. Typical specifications are at $T_A = 25^{\circ}\text{C}$. All specifications at $\text{AVDD} = 5\text{ V}$, $\text{AVSS} = 0\text{ V}$, $\text{DVDD} = 3.3\text{ V}$, $V_{\text{REF}} = 5\text{ V}$, $f_{\text{CLK}} = 7.3728\text{ MHz}$, PGA mode, gain = 1, and data rate = 20 SPS (unless otherwise noted).

PARAMETER		TEST CONDITIONS	MIN	TYP	MAX	UNIT
VOLTAGE REFERENCE INPUTS						
	Reference input current			500		nA
	Input current vs voltage			100		nA/V
	Input current drift			0.1		nA/V/ $^{\circ}\text{C}$
	Input impedance	Differential		5		M Ω
	Low voltage monitor	Threshold low		0.4	0.6	V
TEMPERATURE SENSOR						
	Sensor voltage	$T_A = 25^{\circ}\text{C}$		122.4		mV
	Temperature coefficient			420		$\mu\text{V}/^{\circ}\text{C}$
GENERAL-PURPOSE INPUTS/OUTPUTS (GPIOs)⁽⁵⁾						
V_{OL}	Low-level output voltage	$I_{\text{OL}} = -1\text{ mA}$			$0.2 \cdot \text{AVDD}$	V
V_{OH}	High-level output voltage	$I_{\text{OH}} = 1\text{ mA}$	$0.8 \cdot \text{AVDD}$			V
V_{IL}	Low-level input voltage				$0.3 \cdot \text{AVDD}$	V
V_{IH}	High-level input voltage		$0.7 \cdot \text{AVDD}$			V
	Input hysteresis			0.5		V
DIGITAL INPUTS/OUTPUTS (Other than GPIOs)						
V_{OL}	Low-level output voltage	$I_{\text{OL}} = -1\text{ mA}$			$0.2 \cdot \text{DVDD}$	V
		$I_{\text{OL}} = -8\text{ mA}$			$0.2 \cdot \text{DVDD}$	
V_{OH}	High-level output voltage	$I_{\text{OH}} = 1\text{ mA}$	$0.8 \cdot \text{DVDD}$			V
		$I_{\text{OH}} = 8\text{ mA}$			$0.75 \cdot \text{DVDD}$	
V_{IL}	Low-level input voltage				$0.3 \cdot \text{DVDD}$	V
V_{IH}	High-level input voltage		$0.7 \cdot \text{DVDD}$			V
	Input hysteresis			0.1		V
	Input leakage	V_{IH} or V_{IL}	-10		10	μA
POWER SUPPLY						
I_{AVDD} I_{AVSS}	Analog supply current	PGA bypass		2.7	4.5	mA
		PGA mode, gain = 64 and 128		4.3	6.5	
		Power-down mode		2	8	μA
I_{DVDD}	Digital supply current			0.4	0.65	mA
		Power-down mode ⁽⁶⁾		30	50	μA
P_{D}	Power dissipation	PGA mode		23	35	mW
		Power-down mode		0.1	0.2	

(5) GPIO voltage with respect to AVSS.

(6) CLKIN input stopped.

6.6 Timing Requirements

over operating ambient temperature range, DVDD = 2.7 V to 5.25 V, and DOUT/ $\overline{\text{DRDY}}$ load: 20 pF || 100 k Ω to DGND (unless otherwise noted)

		MIN	MAX	UNIT
SERIAL INTERFACE				
$t_{d(\text{CSSC})}$	Delay time, first SCLK rising edge after $\overline{\text{CS}}$ falling edge ⁽¹⁾	50		ns
$t_{su(\text{DI})}$	Setup time, DIN valid before SCLK falling edge	25		ns
$t_{h(\text{DI})}$	Hold time, DIN valid after SCLK falling edge	25		ns
$t_{c(\text{SC})}$	SCLK period ⁽²⁾	97	10 ⁶	ns
$t_w(\text{SCH}),$ $t_w(\text{SCL})$	Pulse duration, SCLK high or low	40		ns
$t_{d(\text{SCCS})}$	Delay time, last SCLK falling edge before $\overline{\text{CS}}$ rising edge	50		ns
$t_w(\text{CSH})$	Pulse duration, $\overline{\text{CS}}$ high to reset interface	25		ns
$t_{d(\text{SCIR})}$	Delay time, SCLK high or low to force interface auto-reset		65540	1/ f_{CLK}
RESET				
$t_w(\text{RSTL})$	Pulse duration, $\overline{\text{RESET}}$ low	4		1/ f_{CLK}
CONVERSION CONTROL				
$t_w(\text{STH})$	Pulse duration, START high	4		1/ f_{CLK}
$t_w(\text{STL})$	Pulse duration, START low	4		1/ f_{CLK}
$t_{su(\text{DRST})}$	Setup time, START low or STOP command after $\overline{\text{DRDY}}$ low to stop next conversion (Continuous-conversion mode)		100	1/ f_{CLK}
$t_{h(\text{DRSP})}$	Hold time, START low or STOP command after $\overline{\text{DRDY}}$ low to continue next conversion (Continuous-conversion mode)	150		1/ f_{CLK}

(1) $\overline{\text{CS}}$ can be tied low.

(2) Serial interface time-out mode: minimum SCLK frequency = 1 kHz. Otherwise, no minimum SCLK frequency.

6.7 Switching Characteristics

over operating ambient temperature range, DVDD = 2.7 V to 5.25 V, and DOUT/ $\overline{\text{DRDY}}$ load: 20 pF || 100 k Ω to DGND (unless otherwise noted)

PARAMETER		MIN	TYP	MAX	UNIT
SERIAL INTERFACE					
$t_{w(\text{DRH})}$	Pulse duration, $\overline{\text{DRDY}}$ high	16			$1/f_{\text{CLK}}$
$t_{p(\text{CSDO})}$	Propagation delay time, $\overline{\text{CS}}$ falling edge to DOUT/ $\overline{\text{DRDY}}$ driven	0		50	ns
$t_{p(\text{SCDO1})}$	Propagation delay time, SCLK rising edge to valid DOUT/ $\overline{\text{DRDY}}$			40	ns
$t_{h(\text{SCDO1})}$	Hold time, SCLK rising edge to invalid data on DOUT/ $\overline{\text{DRDY}}$	0			ns
$t_{h(\text{SCDO2})}$	Hold time, last SCLK falling edge of operation to invalid data on DOUT/ $\overline{\text{DRDY}}$	15			ns
$t_{p(\text{SCDO2})}$	Propagation delay time, last SCLK falling edge to valid data ready function on DOUT/ $\overline{\text{DRDY}}$			110	ns
$t_{p(\text{CSDOZ})}$	Propagation delay time, $\overline{\text{CS}}$ rising edge to DOUT/ $\overline{\text{DRDY}}$ high impedance			50	ns
RESET					
$t_{p(\text{RSCN})}$	Propagation delay time, $\overline{\text{RESET}}$ rising edge or RESET command to start of conversion	512			$1/f_{\text{CLK}}$
$t_{p(\text{PRCM})}$	Propagation delay time, power-on threshold voltage to ADC communication		2^{16}		$1/f_{\text{CLK}}$
$t_{p(\text{CMCN})}$	Propagation delay time, ADC communication to conversion start	512			$1/f_{\text{CLK}}$
AC EXCITATION					
$t_d(\text{ACX})$	Delay time, phase-to-phase blanking period		8		$1/f_{\text{CLK}}$
$t_c(\text{ACX})$	ACX period	2			t_{STDR}
CONVERSION CONTROL					
$t_{p(\text{STDR})}$	Propagation delay time, START high or START command to $\overline{\text{DRDY}}$ high			2	$1/f_{\text{CLK}}$

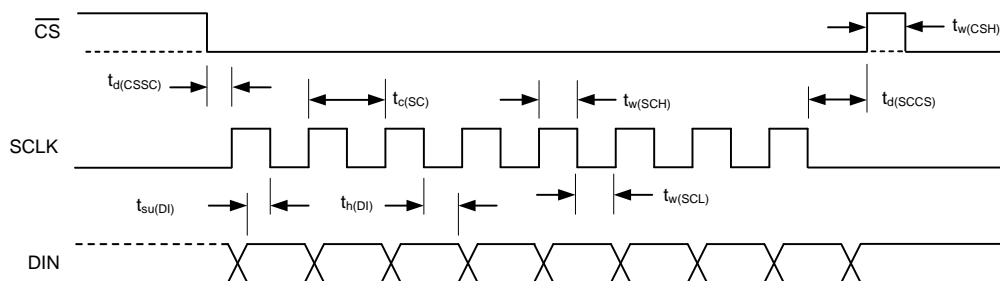
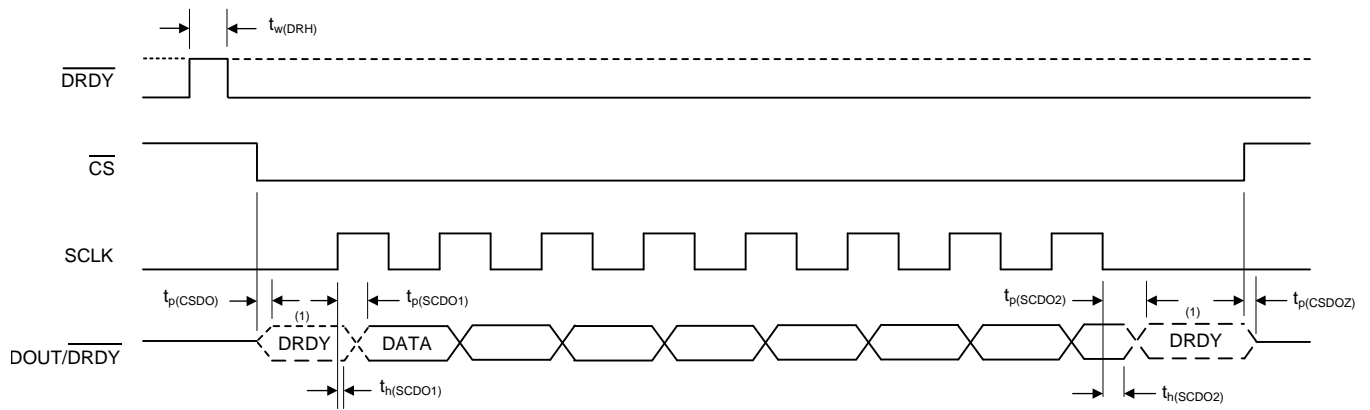


Figure 1. Serial Interface Timing Requirements



⁽¹⁾ Before the first SCLK rising edge and after the last SCLK falling edge of a command, the function of DOUT/DRDY is data ready.

Figure 2. Serial Interface Switching Characteristics

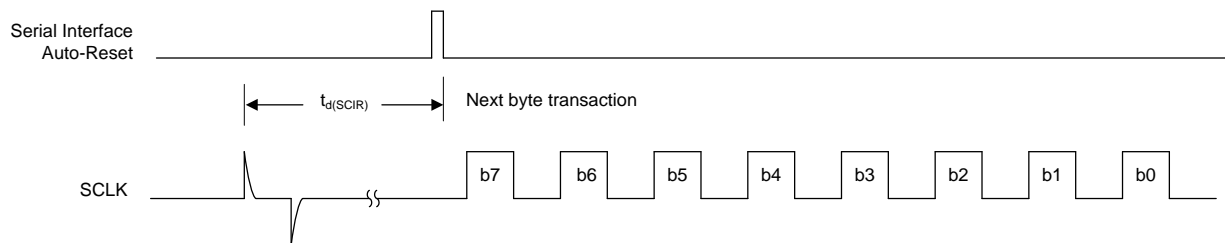


Figure 3. Serial Interface Auto-Reset Characteristics

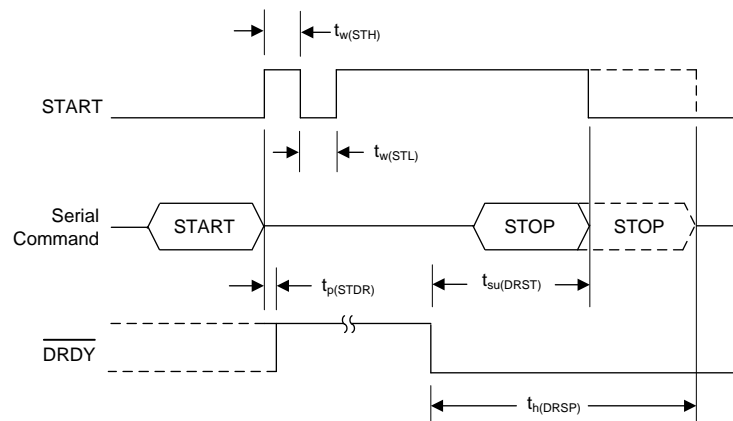


Figure 4. Conversion Control Timing Requirements

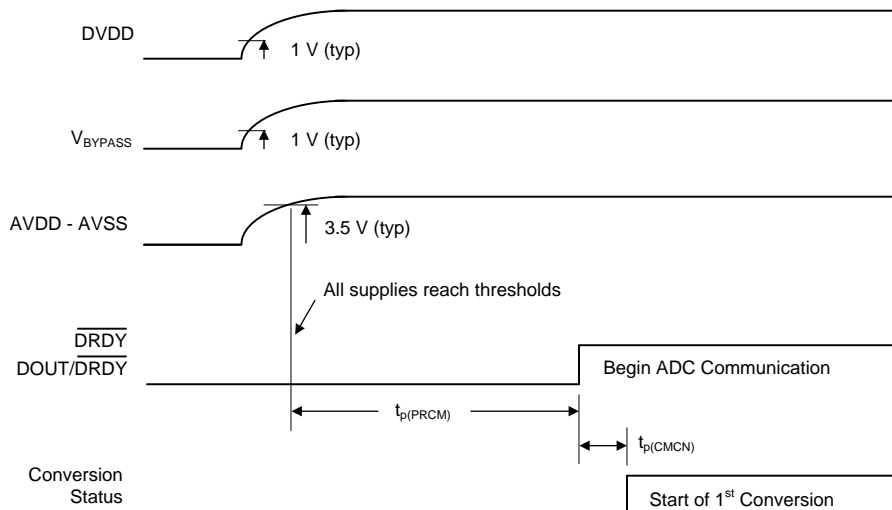


Figure 5. Power-Up Characteristics

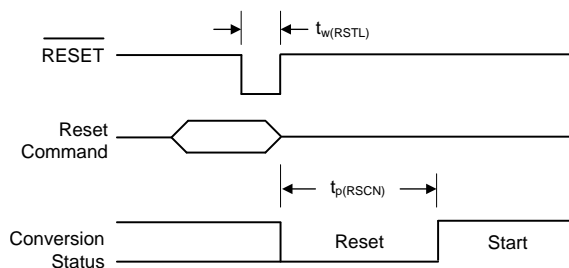


Figure 6. RESET pin and RESET Command Timing Requirements

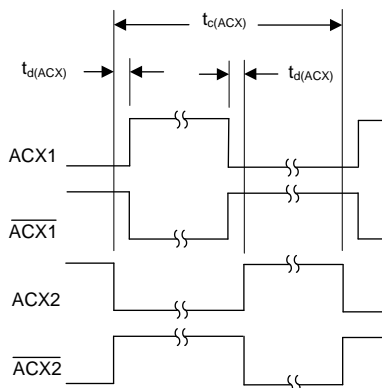


Figure 7. AC-Excitation Switching Characteristics

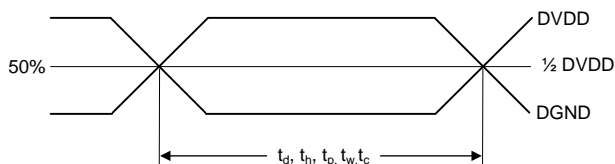


Figure 8. Timing Voltage-Level Reference

6.8 Typical Characteristics

at $T_A = 25^\circ\text{C}$, $AVDD = 5\text{ V}$, $AVSS = 0\text{ V}$, $DVDD = 3.3\text{ V}$, $V_{REF} = 5\text{ V}$, data rate = 20 SPS, $f_{CLK} = 7.3728\text{ MHz}$ and gain = 128 (unless otherwise noted)

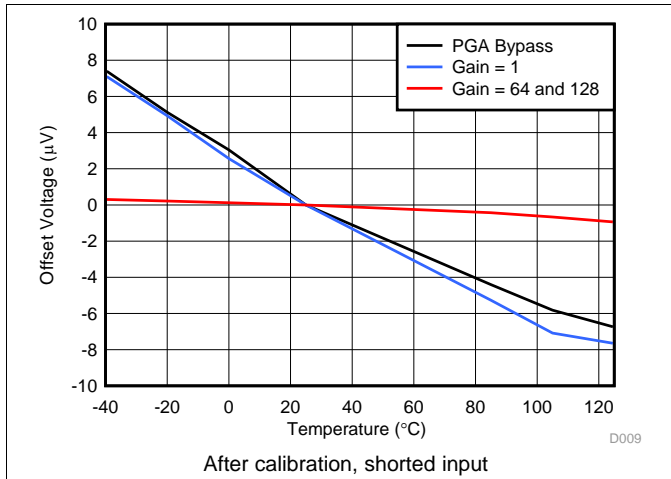


Figure 9. Offset Voltage vs Temperature

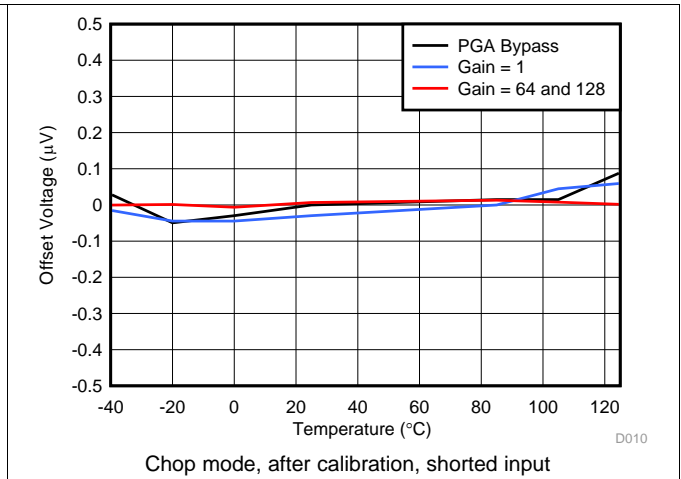


Figure 10. Offset Voltage vs Temperature

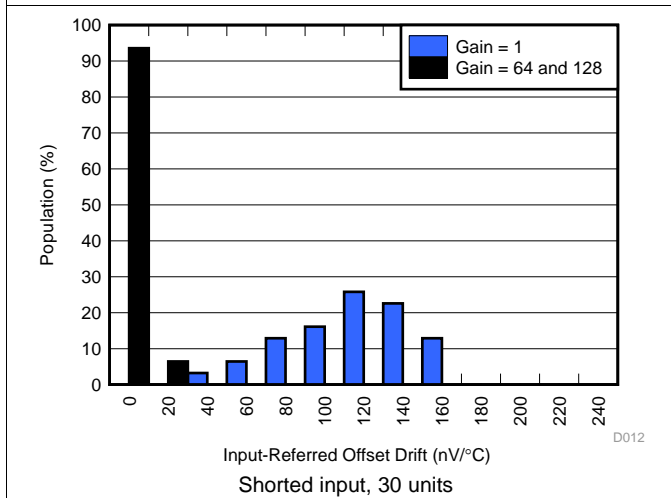


Figure 11. Offset Voltage Drift Distribution

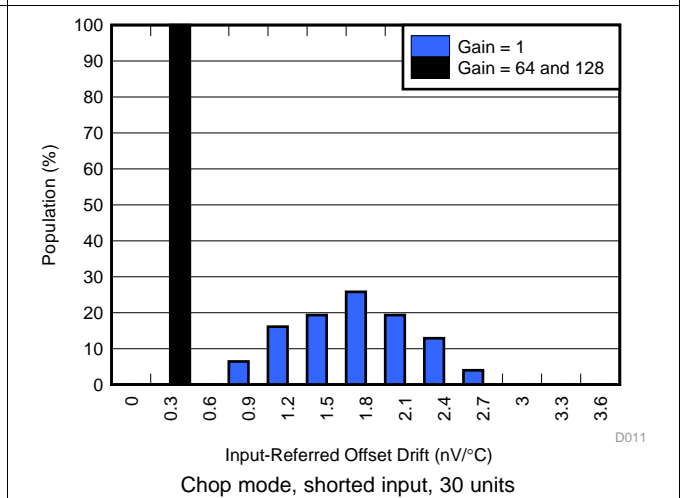


Figure 12. Offset Voltage Drift Distribution

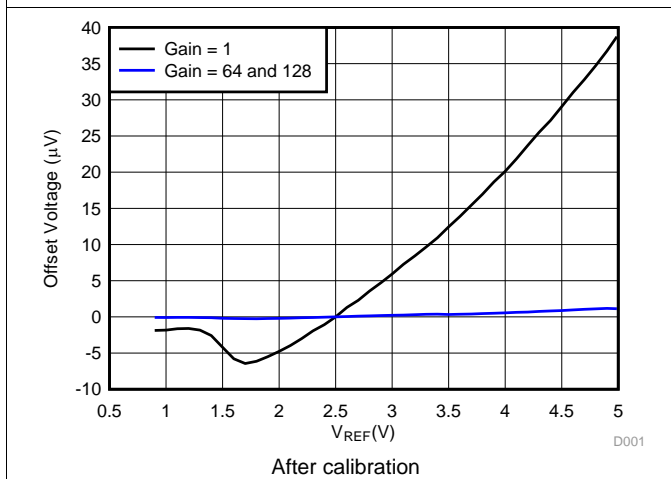


Figure 13. Offset Voltage vs Reference Voltage

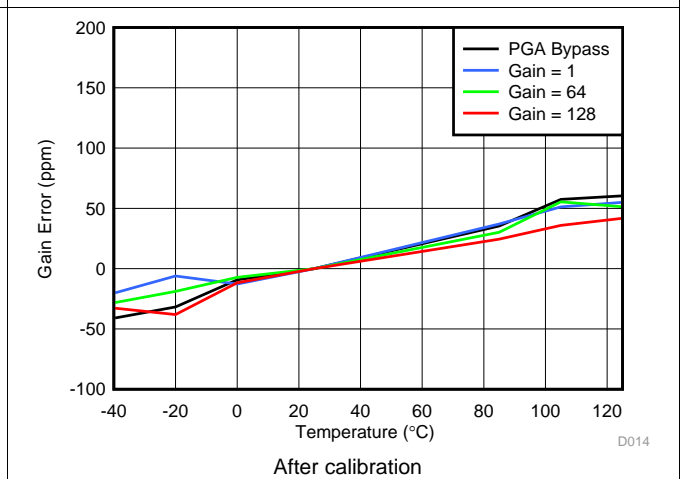


Figure 14. Gain Error vs Temperature

Typical Characteristics (continued)

at $T_A = 25^\circ\text{C}$, $AV_{DD} = 5\text{ V}$, $AV_{SS} = 0\text{ V}$, $DV_{DD} = 3.3\text{ V}$, $V_{REF} = 5\text{ V}$, data rate = 20 SPS, $f_{CLK} = 7.3728\text{ MHz}$ and gain = 128 (unless otherwise noted)

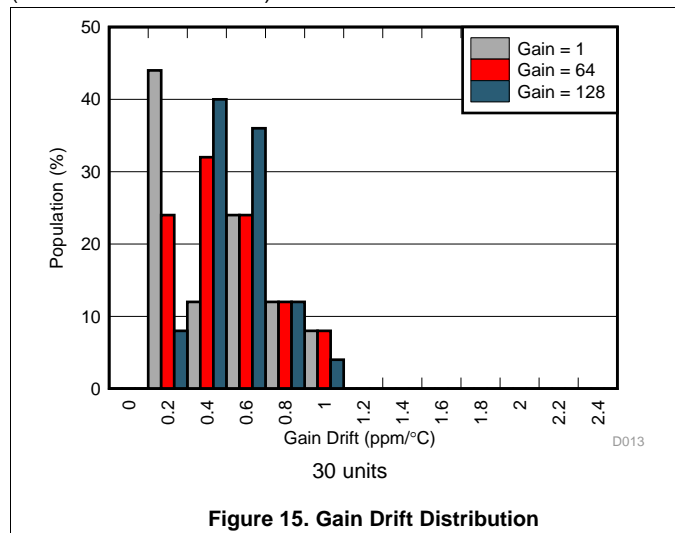


Figure 15. Gain Drift Distribution

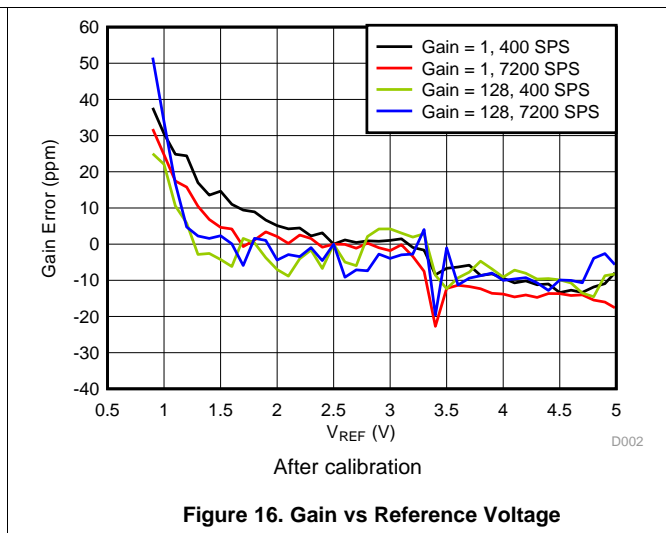


Figure 16. Gain vs Reference Voltage

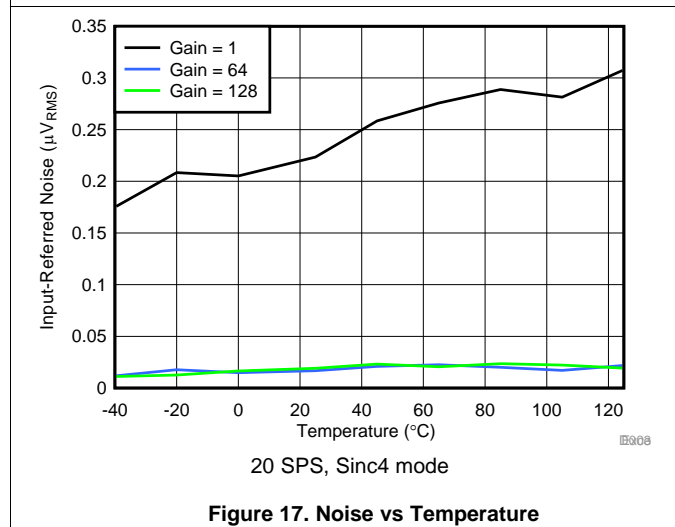


Figure 17. Noise vs Temperature

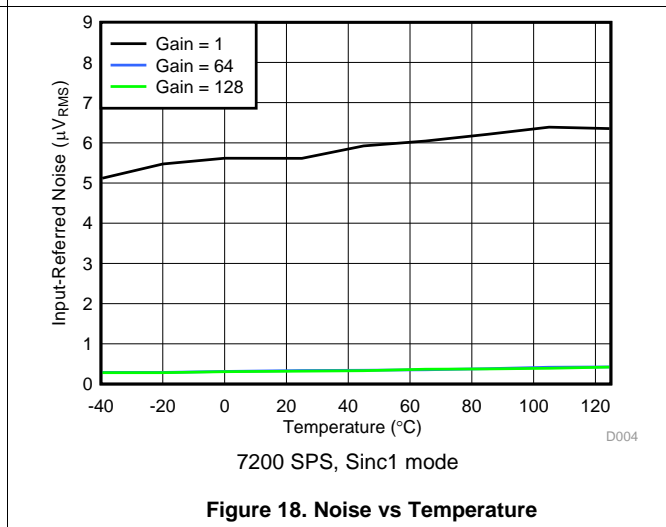


Figure 18. Noise vs Temperature

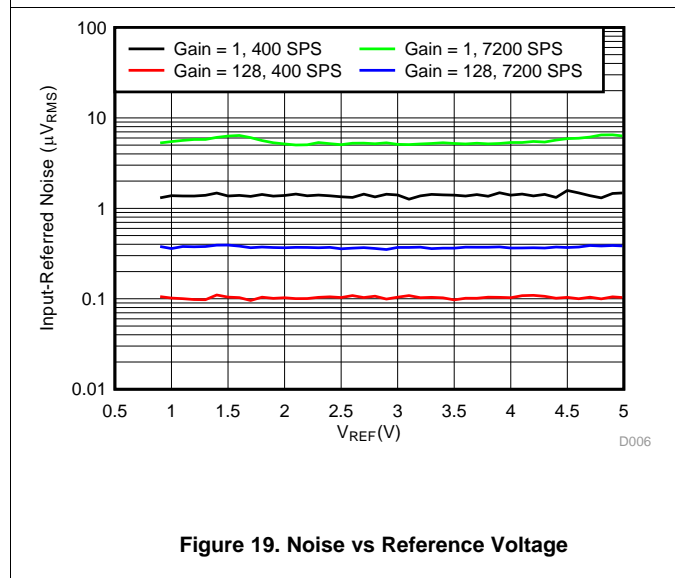


Figure 19. Noise vs Reference Voltage

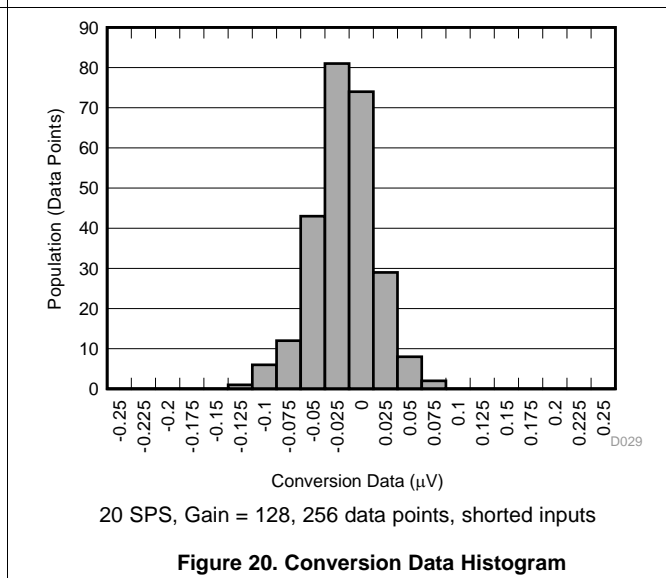


Figure 20. Conversion Data Histogram

Typical Characteristics (continued)

at $T_A = 25^\circ\text{C}$, $AVDD = 5\text{ V}$, $AVSS = 0\text{ V}$, $DVDD = 3.3\text{ V}$, $V_{REF} = 5\text{ V}$, data rate = 20 SPS, $f_{CLK} = 7.3728\text{ MHz}$ and gain = 128 (unless otherwise noted)

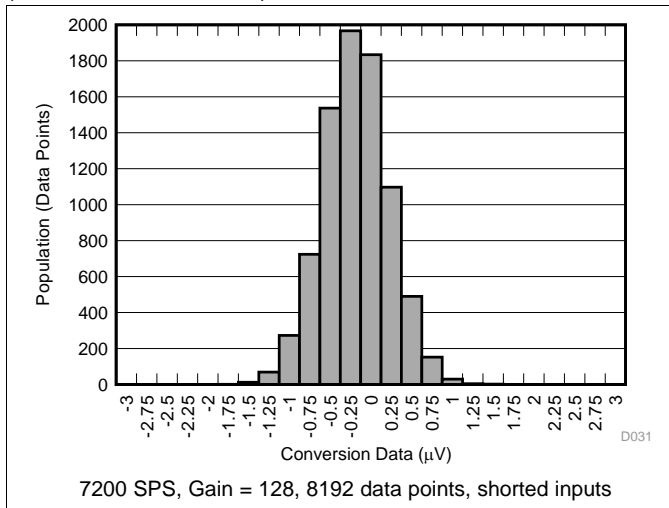


Figure 21. Conversion Data Histogram

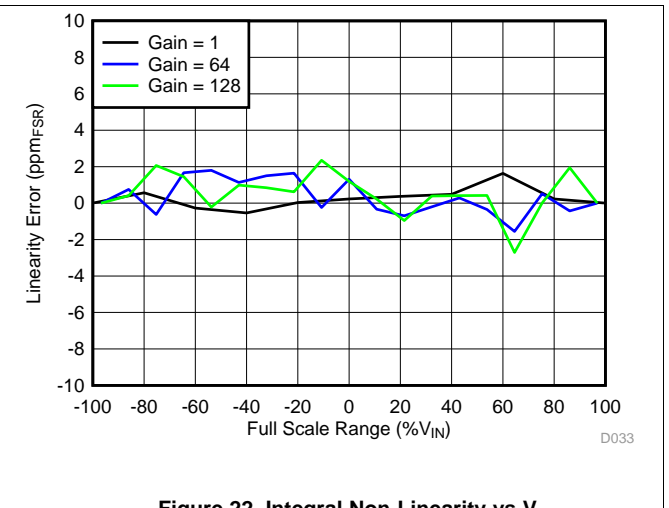


Figure 22. Integral Non-Linearity vs V_{IN}

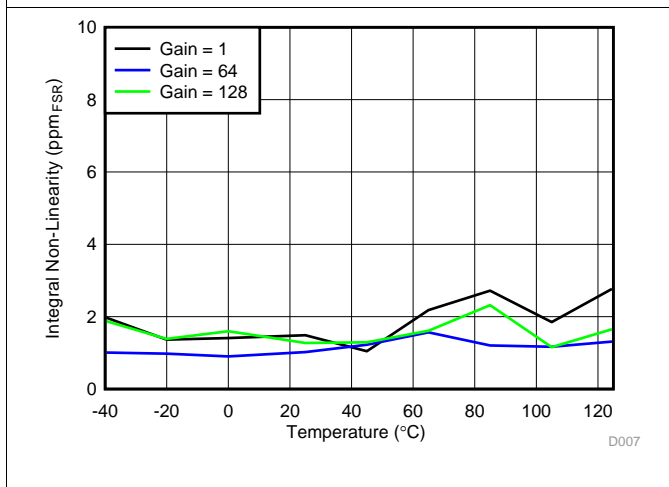


Figure 23. Integral Non-Linearity vs Temperature

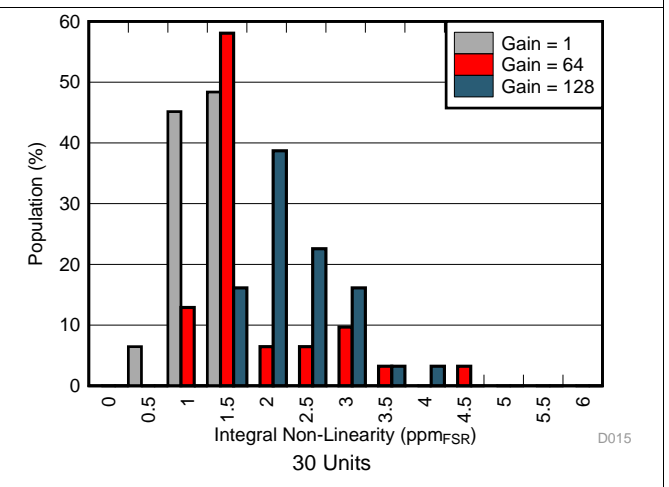


Figure 24. Integral Non-Linearity Distribution

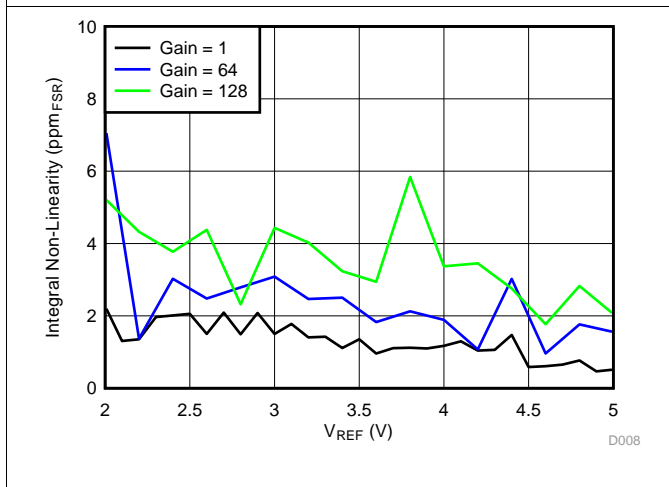


Figure 25. Integral Non-Linearity vs Reference Voltage

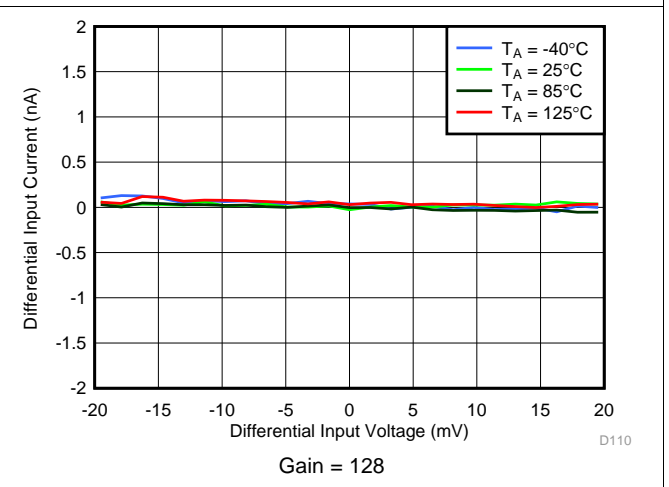
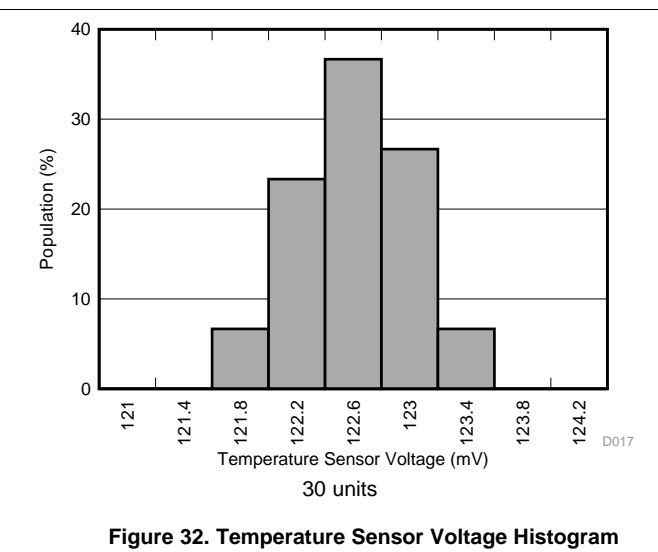
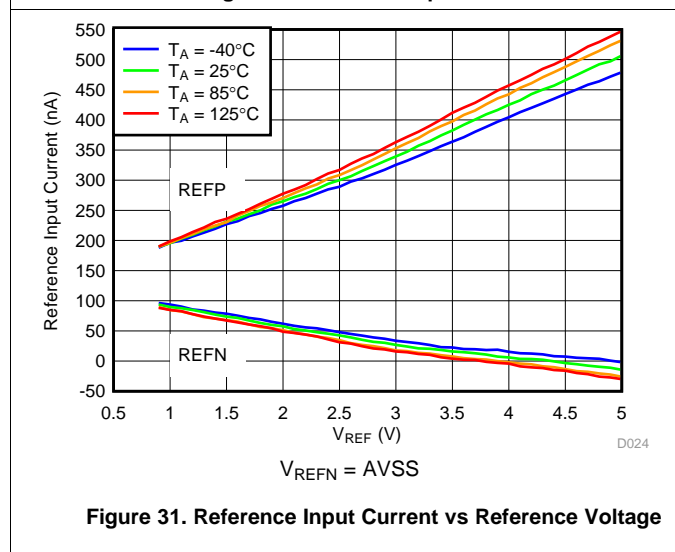
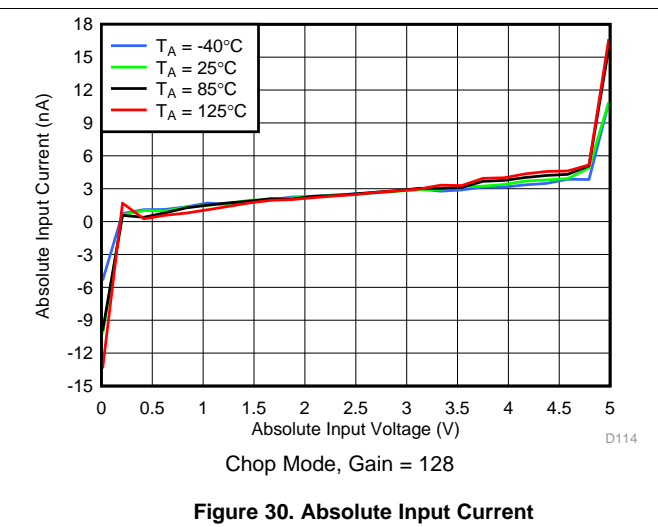
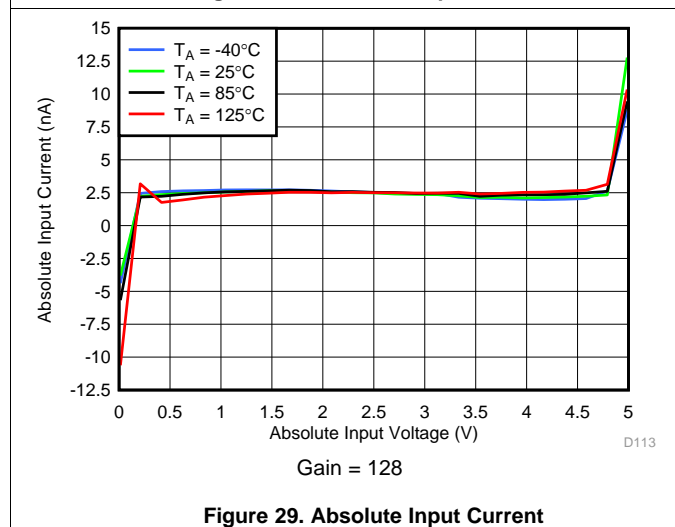
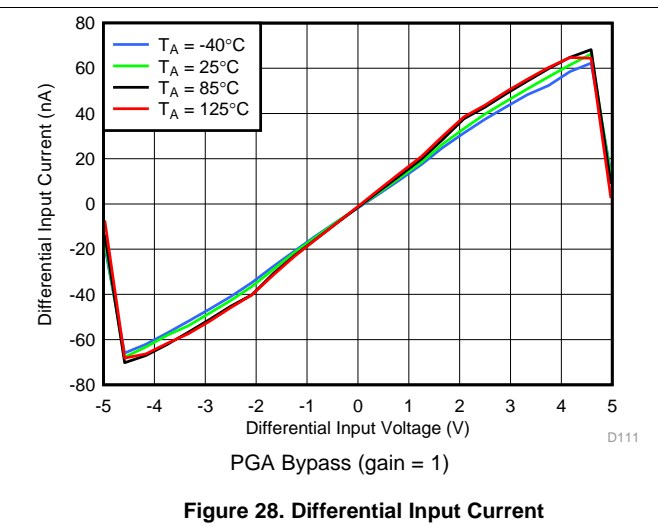
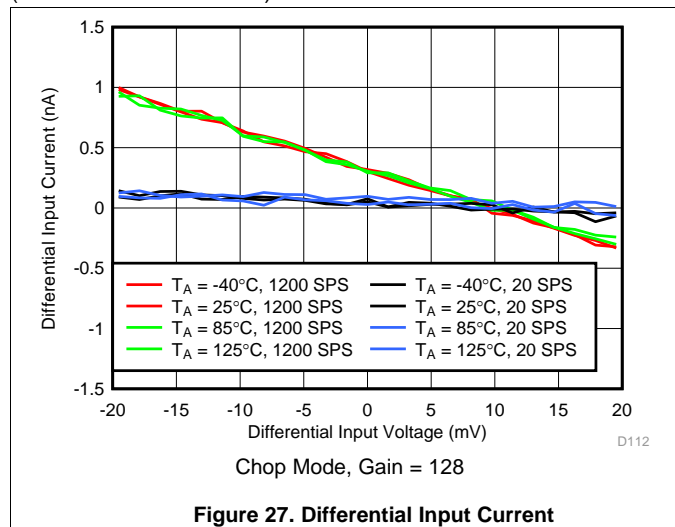


Figure 26. Differential Input Current

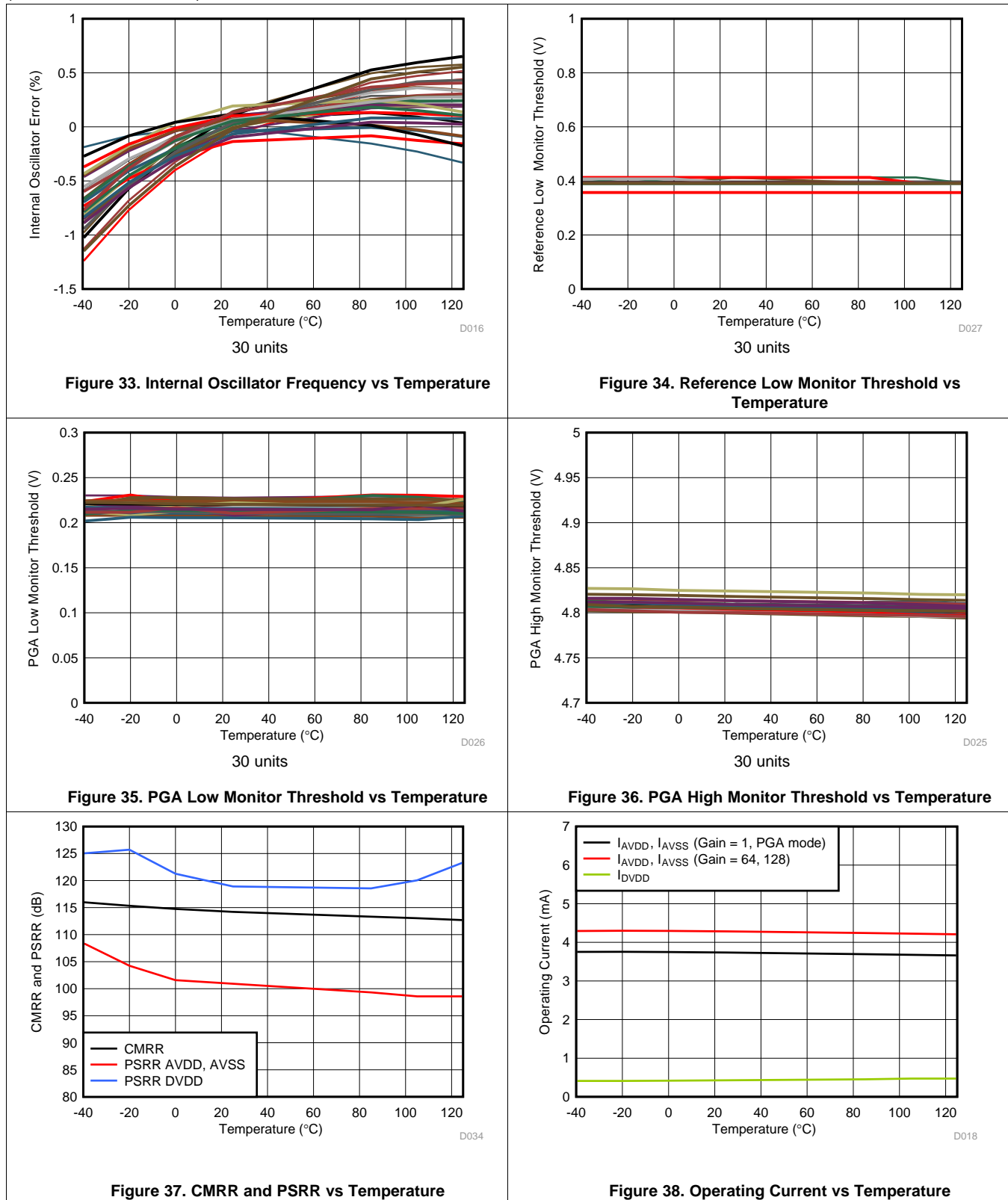
Typical Characteristics (continued)

at $T_A = 25^\circ\text{C}$, $AVDD = 5\text{ V}$, $AVSS = 0\text{ V}$, $DVDD = 3.3\text{ V}$, $V_{REF} = 5\text{ V}$, data rate = 20 SPS, $f_{CLK} = 7.3728\text{ MHz}$ and gain = 128 (unless otherwise noted)



Typical Characteristics (continued)

at $T_A = 25^\circ\text{C}$, $AVDD = 5\text{ V}$, $AVSS = 0\text{ V}$, $DVDD = 3.3\text{ V}$, $V_{REF} = 5\text{ V}$, data rate = 20 SPS, $f_{CLK} = 7.3728\text{ MHz}$ and gain = 128 (unless otherwise noted)



7 Parameter Measurement Information

7.1 Noise Performance

The ADS1235 noise performance depends on the ADC configuration: data rate, PGA gain, digital filter configuration, and chop mode. The combination of the parameters affect noise performance. Two significant factors affecting noise performance are data rate and PGA gain. Since the profile of noise is predominantly white (flat vs frequency), decreasing the data rate proportionally decreases bandwidth and therefore, decreases total noise. Since the noise of the PGA is lower than that of the modulator, increasing the gain decreases overall conversion noise when treated as an input-referred quantity. Noise performance also depends on the digital filter and chop mode. As the order of the digital filter increases, the noise bandwidth correspondingly decreases resulting in decreased noise. Further, as a result of two-point data averaging performed in chop mode, noise decreases by $\sqrt{2}$ compared to normal operation.

Table 1 shows noise performance in units of μV_{RMS} (RMS = root mean square) and in units of effective resolution (bits) under the conditions listed. The values in parenthesis are peak-to-peak values (μV) and noise free resolution (bits). Noise-free resolution is the resolution of the ADC with no code flicker. The noise-free resolution data are calculated based on the peak-to-peak noise data.

The effective resolution data listed in the tables are calculated using [Equation 1](#):

$$\text{Effective Resolution or Noise-Free Resolution} = \ln(\text{FSR} / e_n) / \ln(2)$$

where

- FSR = full scale range = $2 \cdot V_{REF} / \text{Gain}$ (See [Recommended Operating Conditions](#) for limitations of FSR)
- e_n = Input referred voltage noise (RMS value to calculate effective resolution, p-p value to calculate noise-free resolution) (1)

The data shown in the noise performance table represent typical ADC performance at $T_A = 25^\circ\text{C}$. The noise-performance data are the standard deviation and peak-to-peak computations of the ADC data. The noise data are acquired with inputs shorted, based on consecutive ADC readings for a period of ten seconds or 8192 data points, whichever occurs first. Because of the statistical nature of noise, repeated noise measurements may yield higher or lower noise performance results.

Table 1. Noise in μV_{RMS} (μV_{PP}) and Effective Resolution (Noise-Free Resolution) at $T_A = 25^\circ\text{C}$ and $V_{REF} = 5\text{ V}$

DATA RATE	FILTER	Noise (μV_{RMS} , (μV_{PP}))			Effective Resolution (bits), (Noise-Free Resolution (bits))		
		GAIN = 1	GAIN = 64	GAIN = 128	GAIN = 1	GAIN = 64	GAIN = 128
2.5 SPS	FIR	0.21 (0.6)	0.008 (0.028)	0.011 (0.042)	24 (23.8)	24 (22.4)	22.7 (20.8)
2.5 SPS	Sinc1	0.12 (0.3)	0.009 (0.037)	0.008 (0.033)	24 (24)	24 (22)	23.2 (21.2)
2.5 SPS	Sinc2	0.15 (0.3)	0.007 (0.023)	0.006 (0.021)	24 (24)	24 (22.7)	23.7 (21.8)
2.5 SPS	Sinc3	0.15 (0.3)	0.007 (0.023)	0.005 (0.014)	24 (24)	24 (22.7)	24 (22.4)
2.5 SPS	Sinc4	0.15 (0.3)	0.005 (0.019)	0.006 (0.019)	24 (24)	24 (23)	23.7 (22)
5 SPS	FIR	0.29 (0.89)	0.013 (0.051)	0.013 (0.051)	24 (23.2)	23.6 (21.5)	22.5 (20.5)
5 SPS	Sinc1	0.15 (0.3)	0.015 (0.051)	0.01 (0.044)	24 (24)	23.4 (21.5)	22.9 (20.8)
5 SPS	Sinc2	0.17 (0.6)	0.012 (0.047)	0.009 (0.035)	24 (23.8)	23.7 (21.7)	23 (21.1)
5 SPS	Sinc3	0.12 (0.6)	0.011 (0.047)	0.008 (0.037)	24 (23.8)	23.7 (21.7)	23.1 (21)
5 SPS	Sinc4	0.088 (0.3)	0.007 (0.028)	0.007 (0.03)	24 (24)	24 (22.4)	23.3 (21.3)
10 SPS	FIR	0.36 (1.5)	0.022 (0.11)	0.02 (0.096)	24 (22.5)	22.8 (20.5)	21.9 (19.6)
10 SPS	Sinc1	0.28 (0.89)	0.015 (0.065)	0.016 (0.082)	24 (23.2)	23.3 (21.2)	22.2 (19.9)
10 SPS	Sinc2	0.26 (0.89)	0.015 (0.061)	0.013 (0.065)	24 (23.2)	23.3 (21.3)	22.5 (20.2)
10 SPS	Sinc3	0.26 (0.6)	0.014 (0.065)	0.011 (0.047)	24 (23.8)	23.4 (21.2)	22.7 (20.7)
10 SPS	Sinc4	0.24 (0.6)	0.013 (0.056)	0.01 (0.042)	24 (23.8)	23.6 (21.4)	22.9 (20.8)
16.6 SPS	Sinc1	0.41 (1.8)	0.025 (0.12)	0.022 (0.12)	24 (22.2)	22.6 (20.3)	21.8 (19.4)
16.6 SPS	Sinc2	0.32 (1.5)	0.018 (0.089)	0.018 (0.096)	24 (22.5)	23 (20.8)	22 (19.6)
16.6 SPS	Sinc3	0.3 (1.2)	0.017 (0.079)	0.018 (0.091)	24 (22.8)	23.1 (20.9)	22.1 (19.7)
16.6 SPS	Sinc4	0.23 (1.2)	0.015 (0.084)	0.014 (0.072)	24 (22.8)	23.3 (20.8)	22.4 (20)

Noise Performance (continued)
Table 1. Noise in μV_{RMS} (μV_{PP}) and Effective Resolution (Noise-Free Resolution) at $T_A = 25^\circ C$ and $V_{REF} = 5 V$ (continued)

DATA RATE	FILTER	Noise (μV_{RMS} , (μV_{PP}))			Effective Resolution (bits), (Noise-Free Resolution (bits))		
		GAIN = 1	GAIN = 64	GAIN = 128	GAIN = 1	GAIN = 64	GAIN = 128
20 SPS	FIR	0.51 (2.1)	0.032 (0.16)	0.029 (0.16)	24 (22)	22.2 (19.9)	21.3 (18.9)
20 SPS	Sinc1	0.44 (2.1)	0.025 (0.13)	0.026 (0.13)	24 (22)	22.6 (20.2)	21.5 (19.2)
20 SPS	Sinc2	0.36 (1.2)	0.02 (0.12)	0.02 (0.1)	24 (22.8)	22.9 (20.4)	21.9 (19.5)
20 SPS	Sinc3	0.32 (1.5)	0.017 (0.089)	0.018 (0.096)	24 (22.5)	23.1 (20.8)	22 (19.6)
20 SPS	Sinc4	0.3 (1.2)	0.017 (0.084)	0.018 (0.1)	24 (22.8)	23.1 (20.8)	22.1 (19.6)
50 SPS	Sinc1	0.63 (3.6)	0.04 (0.25)	0.038 (0.23)	23.7 (21.2)	21.9 (19.2)	21 (18.4)
50 SPS	Sinc2	0.57 (3)	0.033 (0.21)	0.032 (0.18)	23.9 (21.5)	22.2 (19.5)	21.2 (18.7)
50 SPS	Sinc3	0.53 (2.4)	0.03 (0.19)	0.03 (0.17)	24 (21.8)	22.3 (19.7)	21.3 (18.8)
50 SPS	Sinc4	0.49 (2.4)	0.028 (0.15)	0.026 (0.16)	24 (21.8)	22.4 (20)	21.5 (18.9)
60 SPS	Sinc1	0.71 (3.9)	0.043 (0.27)	0.042 (0.26)	23.6 (21.1)	21.8 (19.1)	20.8 (18.2)
60 SPS	Sinc2	0.6 (3.3)	0.036 (0.24)	0.034 (0.21)	23.8 (21.4)	22.1 (19.3)	21.1 (18.5)
60 SPS	Sinc3	0.56 (3)	0.032 (0.19)	0.03 (0.17)	23.9 (21.5)	22.2 (19.6)	21.3 (18.8)
60 SPS	Sinc4	0.53 (2.7)	0.031 (0.19)	0.03 (0.18)	24 (21.6)	22.3 (19.7)	21.3 (18.7)
100 SPS	Sinc1	0.8 (4.8)	0.056 (0.34)	0.054 (0.35)	23.4 (20.8)	21.4 (18.8)	20.5 (17.8)
100 SPS	Sinc2	0.68 (4.2)	0.047 (0.29)	0.043 (0.3)	23.6 (21)	21.7 (19)	20.8 (18)
100 SPS	Sinc3	0.67 (4.2)	0.042 (0.28)	0.041 (0.27)	23.6 (21)	21.8 (19.1)	20.9 (18.1)
100 SPS	Sinc4	0.62 (3.6)	0.039 (0.24)	0.039 (0.27)	23.8 (21.2)	21.9 (19.3)	20.9 (18.2)
400 SPS	Sinc1	1.4 (11)	0.11 (0.81)	0.11 (0.75)	22.6 (19.6)	20.4 (17.5)	19.5 (16.7)
400 SPS	Sinc2	1.2 (8.3)	0.09 (0.64)	0.086 (0.6)	22.8 (20)	20.7 (17.9)	19.8 (17)
400 SPS	Sinc3	1.1 (7.7)	0.082 (0.61)	0.078 (0.56)	22.9 (20.1)	20.9 (18)	19.9 (17.1)
400 SPS	Sinc4	1 (7.7)	0.076 (0.59)	0.072 (0.53)	23 (20.1)	21 (18)	20 (17.2)
1200 SPS	Sinc1	2.3 (17)	0.18 (1.3)	0.18 (1.4)	21.9 (19)	19.7 (16.9)	18.8 (15.7)
1200 SPS	Sinc2	2 (14)	0.15 (1.2)	0.15 (1.1)	22.1 (19.3)	20 (17)	19 (16.1)
1200 SPS	Sinc3	1.8 (13)	0.14 (1)	0.13 (1)	22.2 (19.4)	20.1 (17.2)	19.2 (16.2)
1200 SPS	Sinc4	1.7 (13)	0.13 (1)	0.13 (0.94)	22.3 (19.4)	20.2 (17.2)	19.2 (16.3)
2400 SPS	Sinc1	3.2 (26)	0.25 (2)	0.24 (1.8)	21.4 (18.4)	19.2 (16.2)	18.3 (15.4)
2400 SPS	Sinc2	2.7 (20)	0.22 (1.7)	0.21 (1.5)	21.6 (18.7)	19.5 (16.5)	18.5 (15.6)
2400 SPS	Sinc3	2.5 (18)	0.2 (1.4)	0.19 (1.4)	21.7 (18.9)	19.6 (16.7)	18.6 (15.8)
2400 SPS	Sinc4	2.3 (18)	0.18 (1.5)	0.18 (1.4)	21.8 (18.9)	19.7 (16.7)	18.8 (15.8)
4800 SPS	Sinc1	4.4 (35)	0.34 (2.5)	0.32 (2.4)	20.9 (17.9)	18.8 (15.9)	17.9 (15)
4800 SPS	Sinc2	3.9 (30)	0.3 (2.3)	0.29 (2.4)	21.1 (18.1)	19 (16.1)	18 (15)
4800 SPS	Sinc3	3.6 (27)	0.28 (2)	0.26 (2)	21.2 (18.3)	19.1 (16.3)	18.2 (15.2)
4800 SPS	Sinc4	3.4 (27)	0.26 (1.9)	0.25 (1.9)	21.3 (18.3)	19.2 (16.3)	18.2 (15.3)
7200 SPS	Sinc1	5.2 (42)	0.38 (2.9)	0.37 (3)	20.7 (17.7)	18.6 (15.7)	17.7 (14.7)
7200 SPS	Sinc2	4.7 (37)	0.36 (2.8)	0.34 (2.5)	20.8 (17.9)	18.7 (15.8)	17.8 (14.9)
7200 SPS	Sinc3	4.5 (35)	0.34 (2.5)	0.32 (2.4)	20.9 (18)	18.8 (15.9)	17.9 (15)
7200 SPS	Sinc4	4.2 (36)	0.32 (2.5)	0.31 (2.3)	21 (17.9)	18.9 (16)	18 (15.1)

8 Detailed Description

8.1 Overview

The ADS1235 is a three differential-input, precision 24-bit, $\Delta\Sigma$ ADC with a low-noise PGA and programmable digital filter. The low-noise, low-drift architecture of the PGA makes the ADC suitable for precision measurement of low signal level sensors, such as strain-gauge bridges and resistive pressure transducers. The ADC provides optional chop and ac-bridge excitation modes to eliminate offset drift error.

Key features of the ADC are:

- 1-G Ω input impedance, low-noise PGA
- High-resolution 24-bit $\Delta\Sigma$ ADC
- Four GPIO with ac-bridge excitation control output
- Internal oscillator
- Voltage reference monitor
- Signal overrange monitor
- Temperature sensor
- CRC communication error detection

The analog inputs (AINx) connect to the input multiplexer (MUX). The ADC supports three differential or five single-ended input measurement configurations. A second voltage reference input and AC-bridge excitation drive outputs (GPIO) are multiplexed with the analog input pins.

The programmable gain amplifier (PGA) follows the input multiplexer. The gain is programmable to 1, 64 or 128. The PGA bypass option connects the analog inputs directly to the precharge buffered modulator, extending the input voltage range to the voltage of the power supplies. The PGA output connects to pins CAPP and CAPN. The ADC antialias filter is provided at the PGA output with an external capacitor. A monitor is used for detection of PGA overrange conditions.

The delta-sigma modulator measures the differential input voltage relative to the reference voltage to produce the 24-bit conversion result. The differential input range of the ADC is $\pm V_{REF} / \text{Gain}$.

The digital filter averages and decimates the modulator output data to yield the final, down-sampled conversion result. The sinc filter is programmable (sinc1 through sinc4) allowing optimization of conversion time, conversion noise and line-cycle rejection. The finite impulse response (FIR) filter mode provides single-cycle settled data with simultaneous rejection of 50-Hz and 60-Hz at data rates of 20 SPS or less.

Two reference voltage input pairs are provided. The primary reference input pair (REFP0/REFN0) is available as standalone input pins. A second reference input pair (REFP1/REFN1) is multiplexed with analog inputs AIN0 and AIN1. A monitor is used for detection of low or missing reference voltage.

The ADC provides four GPIO control lines. The GPIOs are used for input and output of general-purpose logic signals, as well as providing output drive signals for ac-excited bridges. The GPIOs and ac-bridge excitation drive outputs are multiplexed to the analog inputs.

The internal temperature sensor voltage is read by the ADC through the analog input multiplexer.

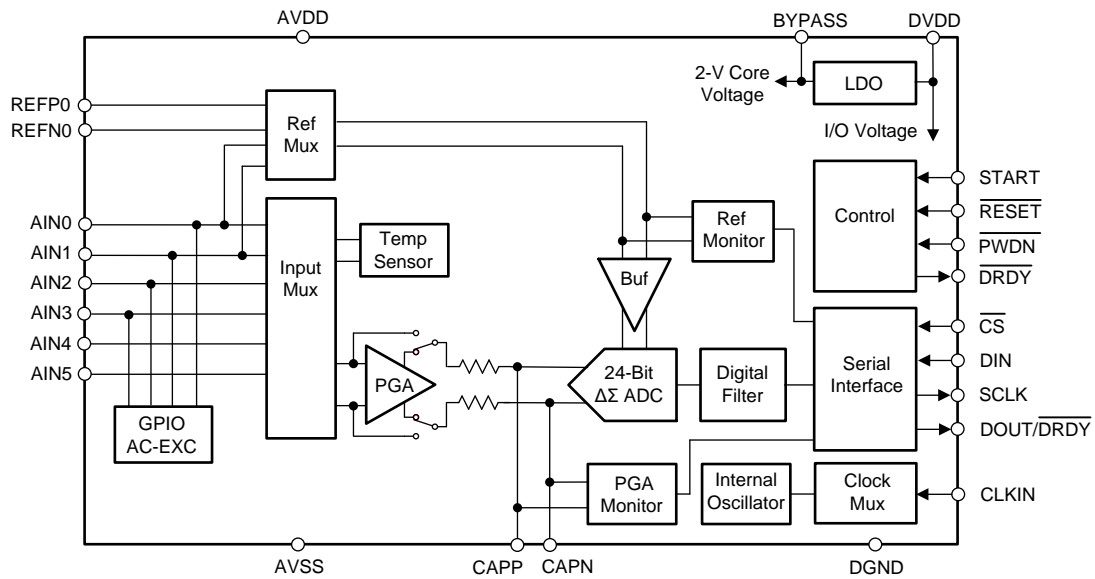
The SPI-compatible serial interface is used to read the conversion data and also to configure and control the ADC. Data communication errors are detected by CRC. The serial interface consists of four signals: \overline{CS} , SCLK, DIN and DOUT/ \overline{DRDY} . The dual function DOUT/ \overline{DRDY} provides data output and also the data ready signal. The ADC serial interface can be implemented with as little as three pins by tying \overline{CS} low.

The ADC clock is either internal or external. The ADC detects the mode of clock operation automatically. The clock frequency is 7.3728 MHz.

Data conversions are controlled by the \overline{START} pin or by the \overline{START} command. The ADC is programmable for continuous or one-shot conversions. The \overline{DRDY} or DOUT/ \overline{DRDY} pin provides the conversion-data ready signal. When taken low, the \overline{RESET} pin resets the ADC. The ADC is powered down by the \overline{PWDN} pin or is powered down in software mode.

The ADC operates in either bipolar analog supply configuration (± 2.5 V), or in single 5-V supply configuration. The digital power supply range is 2.7 V to 5 V. The BYPASS pin is the internal subregulator output used for the ADC digital core.

8.2 Functional Block Diagram



8.3 Feature Description

The following sections describe the functional blocks of the ADC.

8.3.1 Analog Inputs

Figure 39 shows the analog input circuit consisting of ESD-protection diodes, the input multiplexer and the PGA. The ADS1235 has six analog inputs to support three differential-input measurement channels. In addition, there are two internal (system) measurements, and an option to disconnect all inputs.

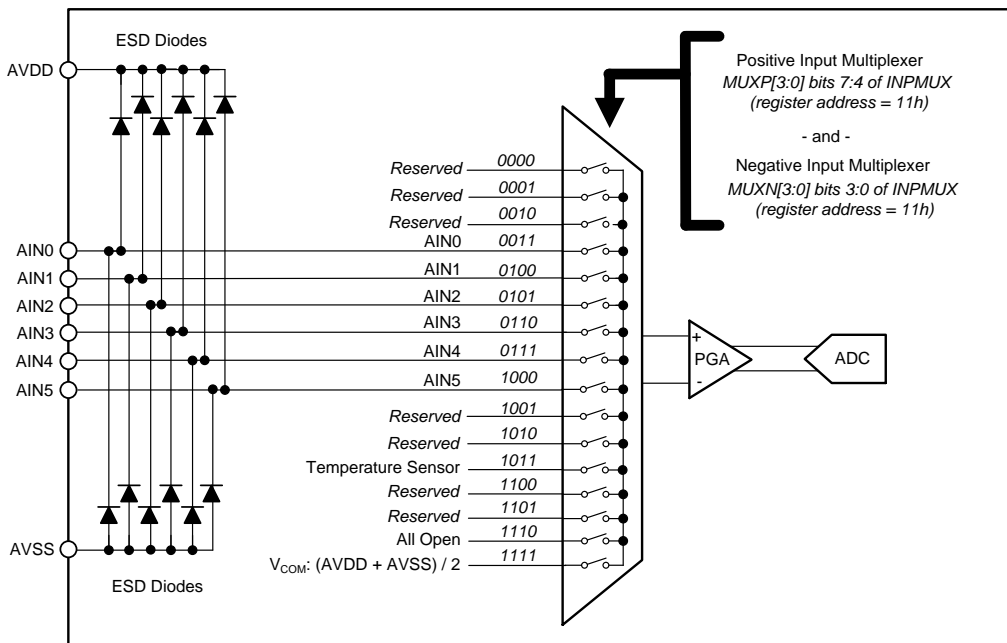


Figure 39. Analog Input Block Diagram

8.3.1.1 ESD Diodes

ESD diodes are incorporated to protect the ADC inputs from possible ESD events occurring during the manufacturing process and during PCB assembly when manufactured in an ESD-controlled environment. For system-level ESD protection, consider the use of external ESD protection devices for pins that are exposed to ESD, including the analog inputs.

If either input is driven below $AVSS - 0.3\text{ V}$, or above $AVDD + 0.3\text{ V}$, the internal protection diodes may conduct. If these conditions are possible, use external clamp diodes, series resistors, or both to limit the input current to the specified maximum value.

8.3.1.2 Input Multiplexer

The input multiplexer selects the signal for measurement. The multiplexer consists of independently programmable positive and negative sections. See Figure 39 for multiplexer register settings. The multiplexers select any input as positive and any input as negative for connection to the PGA. For example, to select AIN5 and AIN4 as a differential input with (+) and (-) polarity, program the INPMUX register to the value of 87h.

When the multiplexer is changed, a break-before-make sequence is performed in order to reduce charge injection into the next measurement channel. Be aware that over-driving unused channels beyond the power supplies can effect conversions taking place on active channels. See the [Input Overload](#) section for more information.

Feature Description (continued)

8.3.1.3 Temperature Sensor

The ADC has an internal temperature sensor. The temperature sensor is comprised of two internal diodes with one diode having 80 times the current density of the other. The difference in current density of the diodes yields a differential output voltage that is proportional to absolute temperature. The temperature sensor reading is converted by the ADC. See [Figure 39](#) for register settings to select the temperature sensor for measurement.

[Equation 2](#) shows how to convert the temperature sensor reading to degrees Celsius (°C):

$$\text{Temperature (}^\circ\text{C)} = [(\text{Temperature Reading (}\mu\text{V)} - 122,400) / 420 \mu\text{V/}^\circ\text{C}] + 25^\circ\text{C} \quad (2)$$

Measure the temperature sensor with PGA on, gain = 1 and ac-bridge excitation mode disabled. As a result of the low package-to-PCB thermal resistance, the internal temperature closely tracks the PCB temperature.

8.3.1.4 Inputs Open

This configuration opens the inputs to the PGA. Use this configuration to disconnect the PGA from the sensor. With all inputs disconnected, the conversion data are invalid due to the floating input condition. See [Figure 39](#) for the register setting value to open all inputs.

8.3.1.5 Internal V_{COM} Connection

This configuration connects the PGA inputs to the internal V_{COM} voltage as defined: $(AVDD + AVSS) / 2$. Use this connection to short the inputs to measure the ADC noise performance and offset voltage, or to short the inputs for offset calibration. See [Figure 39](#) for register settings for the internal V_{COM} connection.

8.3.1.6 Alternate Functions

The analog input pins have multiplexed alternate functions. The alternate functions are the second reference input and GPIO to provide the ac-bridge excitation drive signals. The functions are enabled by programming the associated function registers. The analog inputs retain measurement capability if the alternate functions are programmed. [Table 2](#) summarizes the alternate functions multiplexed to the analog input pins.

Table 2. Analog Input Alternate Functions

ANALOG INPUTS	REFERENCE INPUTS	GPIO/AC-BRIDGE EXCITATION (2-wire mode)	GPIO/AC-BRIDGE EXCITATION (4-wire mode)
AIN0	REFP1	GPIO0/ $\overline{\text{ACX1}}$	GPIO0/ $\overline{\text{ACX1}}$
AIN1	REFN1	GPIO1/ $\overline{\text{ACX2}}$	GPIO1/ $\overline{\text{ACX2}}$
AIN2			GPIO2/ $\overline{\text{ACX1}}$
AIN3			GPIO3/ $\overline{\text{ACX2}}$
AIN4			
AIN5			

8.3.2 PGA

The PGA is a low-noise, CMOS differential-input, differential-output amplifier. The PGA extends the dynamic range of the ADC, important when used with low-level output sensors. Gain is controlled by the GAIN[2:0] register bits as shown in Figure 40. In PGA bypass mode, the input voltage range extends to the analog supplies. The PGA is powered down in bypass mode.

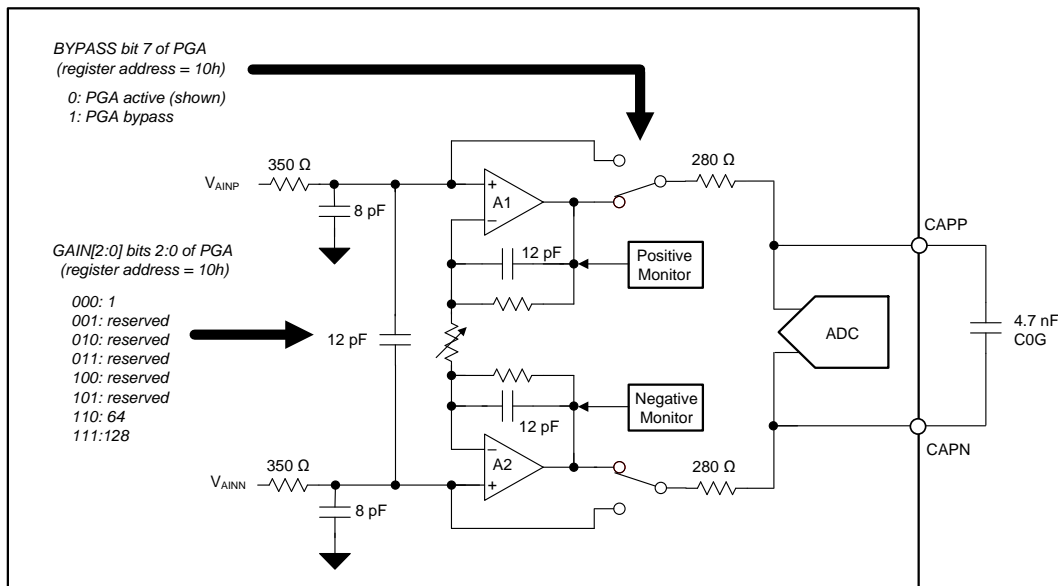


Figure 40. PGA Block Diagram

The PGA consists of two chopper-stabilized amplifiers (A1 and A2), and a resistor network that determines the PGA gain. The resistor network is precision-matched, providing low drift performance. The PGA has internal noise filters to reduce sensitivity to electromagnetic-interference (EMI). The PGA output is monitored to provide indication of a possible PGA overload condition.

Pins CAPP and CAPN are the PGA positive and negative outputs, respectively. Connect an external 4.7-nF capacitor (type C0G) as shown in Figure 40. The capacitor filters the sample pulses caused by the modulator, and with the internal resistors the antialias filter is provided. Place the capacitor as close as possible to the pins using short, direct traces. Avoid running clock traces or other digital traces close to these pins.

8.3.2.1 Input Voltage Range

The input voltage range is determined by the magnitude of the reference voltage and ADC gain. As shown in Figure 19, conversion voltage noise is constant over the specified reference voltage range. Table 3 shows the differential input voltage range verses gain for $V_{REF} = 5\text{ V}$.

Table 3. Input Voltage Range

GAIN[2:0] BITS	GAIN	FULL-SCALE DIFFERENTIAL INPUT VOLTAGE RANGE ⁽¹⁾
000	1	±5.000 V
110	64	±0.078 V
111	128	±0.039 V

(1) $V_{REF} = 5\text{ V}$. Input voltage range scales with V_{REF} . For gain = 1 and PGA mode, the input voltage range is limited by evaluation of Equation 3.

As with many amplifiers, the PGA has an input voltage range specification that must not be exceeded in order to maintain linear operation. The input range is specified as an absolute voltage (signal plus common mode voltage) at both positive and negative inputs. As specified in Equation 3, the maximum and minimum absolute input voltage depends on gain, the expected maximum differential voltage, and the minimum value of the analog power supply voltage.

$$AVSS + 0.3 \text{ V} + V_{IN} \cdot (\text{Gain} - 1) / 2 < V_{AINP} \text{ and } V_{AINN} < AVDD - 0.3 \text{ V} - V_{IN} \cdot (\text{Gain} - 1) / 2$$

where

- V_{AINP} , V_{AINN} = absolute input voltage
 - $V_{IN} = V_{AINP} - V_{AINN}$, maximum differential input voltage
 - Gain (for gains = 64 and 128, use 32 for calculation)
 - AVDD = minimum AVDD voltage
 - AVSS = maximum AVSS voltage
- (3)

The relationship of the PGA input to the PGA output is shown graphically in Figure 41. The PGA output voltages (V_{OUTP} , V_{OUTN}) depend on the respective absolute input voltage, the differential input voltage, and the PGA gain. To maintain the PGA within the linear operating range, the PGA output voltages must be restricted within $AVDD - 0.3 \text{ V}$ and $AVSS + 0.3 \text{ V}$. The diagram depicts a positive differential input voltage that results in a positive differential output voltage.

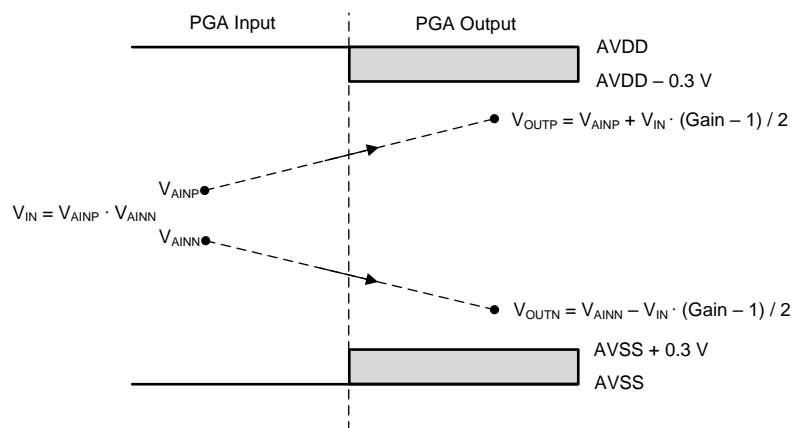


Figure 41. PGA Input/Output Range

8.3.2.2 PGA Bypass Mode

Bypass the PGA to extend the input voltage range to the analog power supply voltages. In bypass mode, the PGA is bypassed and the analog inputs are connected directly to the precharge buffers of the modulator, thereby extending the input voltage range. Be aware of the increased input current in bypass mode. See the [Electrical Characteristics](#) for the input current specification.

8.3.3 PGA Voltage Monitor

The PGA has internal monitors to alarm of possible overrange conditions. Overrange conditions are possible if the signal voltage is over-driven, the common-mode voltage is out of range or if too much gain is used for the normal range of input signal. When overranged, the PGA output nodes are in saturation resulting in invalid conversion data. The high alarm bit asserts high (PGAH_ALM) if *either* the positive or negative PGA output is greater than $AVDD - 0.2 \text{ V}$. Similarly, the low alarm bit asserts high (PGAL_ALM) if *either* positive or negative PGA output is less than $AVSS + 0.2 \text{ V}$. The status of the alarm bits are read in the STATUS byte. The alarm bits are read-only and automatically reset at the start of the next conversion cycle after the overrange condition is cleared. The PGA voltage monitor diagram and threshold values are shown in Figure 42 and Figure 43.

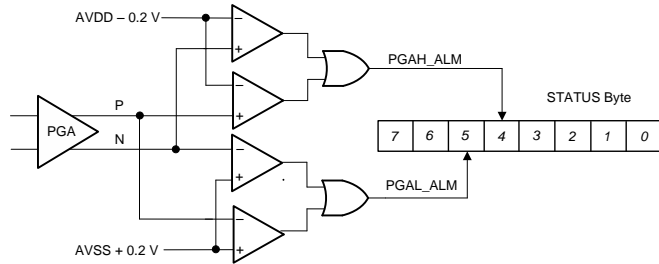


Figure 42. PGA Voltage Monitor Diagram

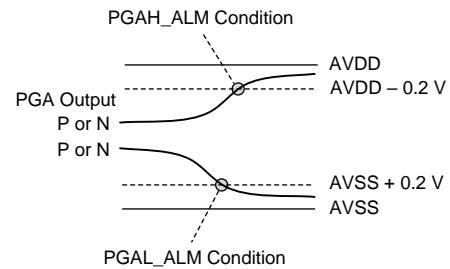


Figure 43. PGA Monitor Thresholds

The PGA voltage monitors are fast-responding voltage comparators. Comparator operation is disabled during multiplexer changes to minimize triggering of false alarms. However, it is possible the alarms can trigger on other transient overload conditions that may occur after gain changes, sensor connection changes, and so on.

8.3.4 Reference Voltage

The ADC requires a reference voltage for operation. The ADC allows two external inputs and the internal analog power supply as reference options. The reference voltage is selected by independent positive and negative multiplexers. The default reference is the 5-V analog power supply (AVDD – AVSS). Figure 44 shows the block diagram of the reference multiplexer.

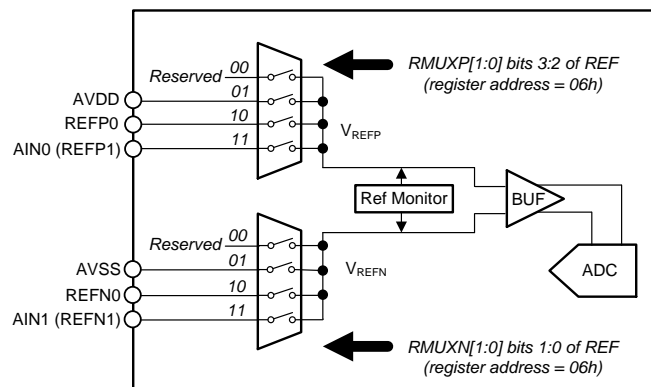


Figure 44. Reference Input Block Diagram

Program the RMUXP[1:0] and RMUXN[1:0] bits of the REF register to select the positive and negative reference voltages, respectively. The positive reference selections are AVDD, REFP0 and AIN0 (REFP1). The negative reference input selections are internal AVSS, REFN0, AIN1 (REFN1). The reference low-voltage monitor is located after the reference multiplexer. See the [Reference Monitor](#) section for more information.

8.3.4.1 External Reference

Use the external reference by applying the reference voltage to the designated reference input pins. The reference input pins are differential with positive and negative inputs. Program the reference multiplexer bits RMUXP[1:0] and RMUXN[1:0] to select the respective reference voltage for operation. For example, to select REFP0 and REFN0 as the reference voltage, program the REF register to the value of 0Ah. Follow the specified absolute and differential reference voltage operating conditions, as specified in the [Recommended Operating Conditions](#).

Be aware of the reference input current when reference impedances are present, such as by the use of a resistor divider. Consider the effect of the resistance to system accuracy. Connect a capacitor across the reference input pins to filter noise. When R-C filters are used, match the time constants of the input signal filter to the reference voltage filter to maintain constant conversion noise over the signal operating range.

8.3.4.2 AVDD – AVSS Reference (Default)

A third reference option is the 5-V analog power supply (AVDD – AVSS). Select this reference option by programming the REF register to 05h. For 6-wire strain-gauge bridge applications that use excitation-sense connections, or for ac-bridge excitation operation, connect the excitation sense lines to the reference input pins and program the ADC for external reference operation.

8.3.4.3 Reference Monitor

The ADC incorporates an internal low-voltage monitor of the reference voltage. As shown in Figure 45 and Figure 46, the REFL_ALM bit of the STATUS byte asserts if the reference voltage ($V_{REF} = V_{REFP} - V_{REFN}$) falls below 0.4 V. The alarm is read-only and resets at the next conversion after the low reference condition is no longer present.

Use the reference monitor to detect a missing or failed reference voltage. To implement detection of a missing reference, use a 100-kΩ resistor across the reference inputs. If either reference input is disconnected, the resistor biases the differential reference input toward 0 V so that the reference monitor detects the disconnected reference.

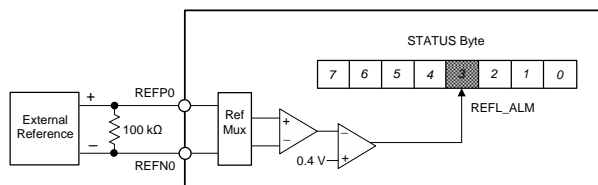


Figure 45. Reference Monitor

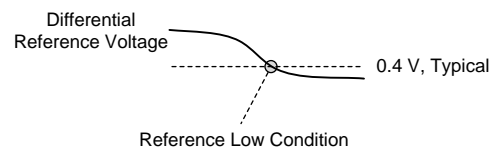


Figure 46. Reference Monitor Threshold

8.3.5 General-Purpose Input/Outputs (GPIOs)

The ADC includes four GPIO pins, GPIO0 through GPIO3. The GPIOs are digital inputs/outputs that are referenced to analog AVDD and AVSS. The GPIOs are read and written by the GPIO_DAT bits of the MODE3 register. The GPIOs are multiplexed with analog inputs AIN0 to AIN3. As shown in Figure 47, the GPIOs are configured through a series of programming registers. Bits GPIO_CON[3:0] connect the GPIOs to the associated pin (1 = connect). Bits GPIO_DIR program the direction of the GPIOs; (0 = output, 1 = input). The input voltage threshold is the voltage value between AVDD and AVSS. Bits GPIO_DAT[3:0] are the data values for the GPIOs. Observe that if a GPIO pin is programmed as an output, the value read is the value previously written to the register data, not the actual voltage at the pin.

The GPIOs also provide the ac-bridge excitation drive signals. AC-bridge excitation mode overrides the GPIO register data values. See the [AC-Bridge Excitation Mode](#) section for details.

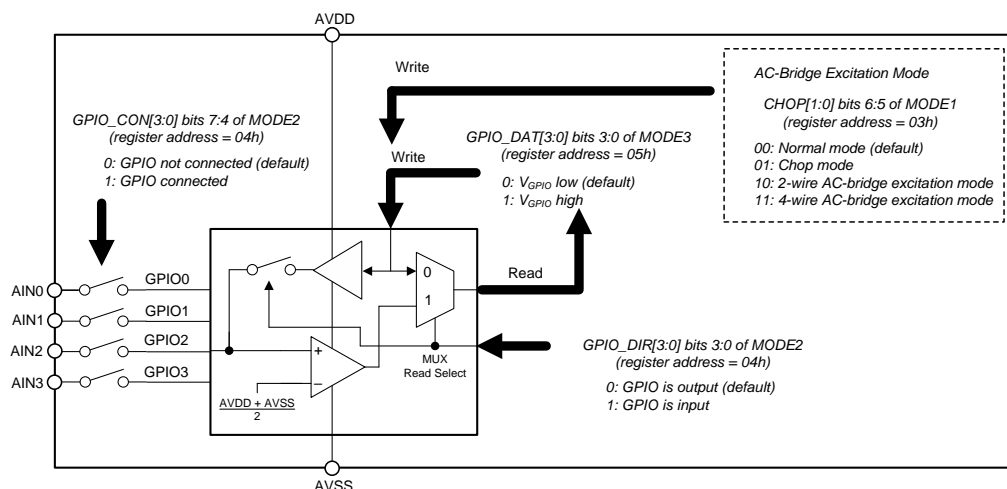


Figure 47. GPIO Block Diagram

8.3.6 Modulator

The modulator is an inherently stable, fourth-order, 2 + 2 pipelined $\Delta\Sigma$ modulator. The modulator samples the analog input voltage at a high sample rate ($f_{MOD} = f_{CLK} / 8$) and converts the analog input to a ones-density bit-stream with the density given by the ratio of the input signal to the reference voltage. The modulator shapes the noise of the converter to high frequency, where the noise is removed by the digital filter.

8.3.7 Digital Filter

The ADC operates on the principle of oversampling. Oversampling is defined as the ratio of the sample rate of the modulator to that of the ADC output data rate. Oversampling improves ADC noise by digital bandwidth limiting (low-pass filtering) of the data.

The digital filter receives the modulator output data and produces a high-resolution conversion result. The digital filter low-pass filters and decimates the modulator data (data rate reduction), yielding the final data output. By adjusting the type of filtering, tradeoffs are made between resolution, data throughput and line-cycle rejection.

The digital filter has two selectable modes: $\sin(x) / x$ (sinc) mode and finite impulse response (FIR) mode (see Figure 48). The sinc mode provides data rates of 2.5 SPS through 7200 SPS with variable sinc orders of 1 through 4. The FIR filter provides simultaneous rejection of 50-Hz and 60-Hz frequencies with data rates of 2.5 SPS through 20 SPS while providing single-cycle settled conversions.

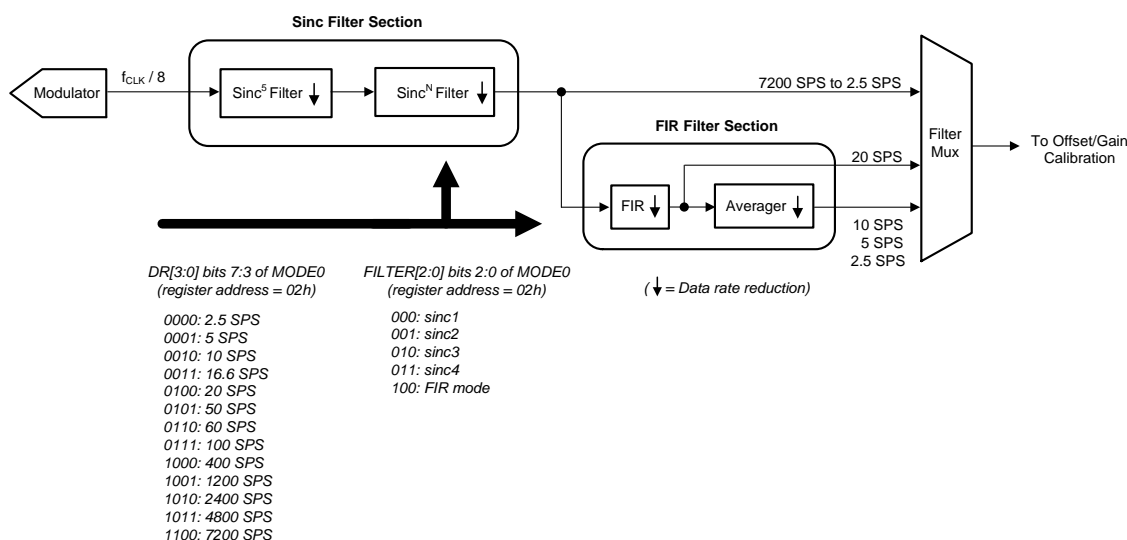


Figure 48. Digital Filter Block Diagram

8.3.7.1 Sinc Filter

The sinc filter is comprised of two stages: a fixed-decimation sinc5 filter, followed by a variable-decimation, variable-order sinc filter. The first stage filters and down-samples the input data from the modulator to produce an intermediate data rate of 14400 SPS. The second stage receives the intermediate data to provide final output data rates of 7200 SPS through 2.5 SPS. The second stage has programmable orders of sinc.

The data rate is programmed by the DR[3:0] bits of the MODE0 register. The filter mode is programmed by the FILTER[2:0] bits of the MODE0 register (see Figure 48).

8.3.7.1.1 Sinc Filter Frequency Response

The overall frequency response of the sinc filter is low pass. The filter reduces signal and noise beginning at the -3-dB bandwidth. Changing the data rate and filter order changes the filter bandwidth together with the rate of frequency roll-off. See the [Filter Bandwidth](#) section for the bandwidth of the filter settings.

Figure 49 shows the frequency response of the sinc filter at 2400 SPS for various orders of the sinc filter. The peaks and nulls are characteristic of the sinc filter response. The frequency response nulls occur at $f \text{ (Hz)} = N \cdot f_{\text{DATA}}$, where $N = 1, 2, 3$ and so on. At the null frequencies, the filter has zero gain. The response nulls are superimposed with the larger nulls beginning at 14400 Hz. The larger nulls are produced by the first stage. The frequency response is similar to that of data rates 2.5 SPS through 7200 SPS. Figure 50 shows the frequency response nulls for 10 SPS.

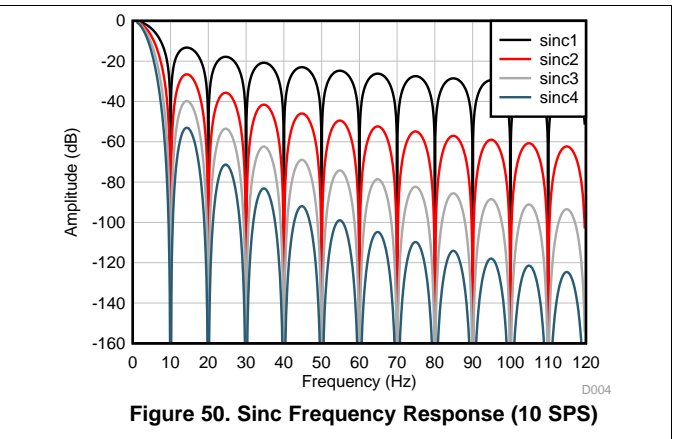
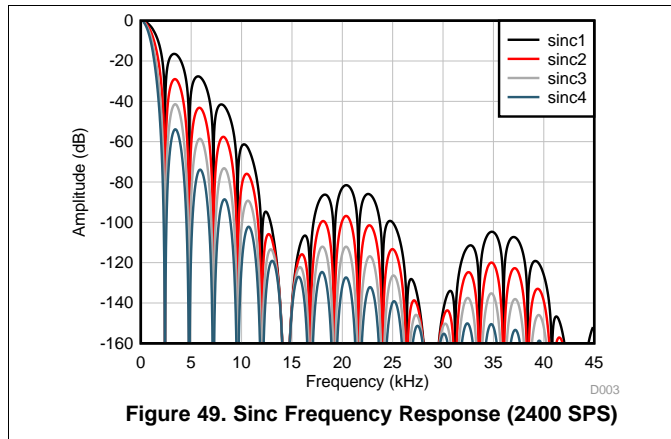


Figure 51 and Figure 52 show the frequency response of data rates 50 SPS and 60 SPS, respectively. Increase the attenuation at 50 Hz or 60 Hz and harmonics by increasing the order of the sinc filter, as shown in the figures.

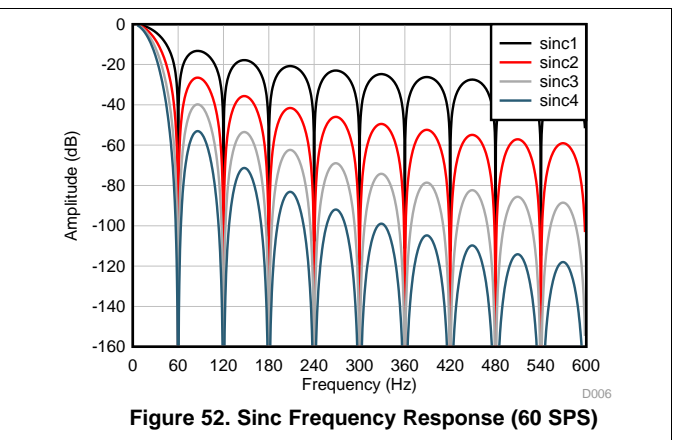
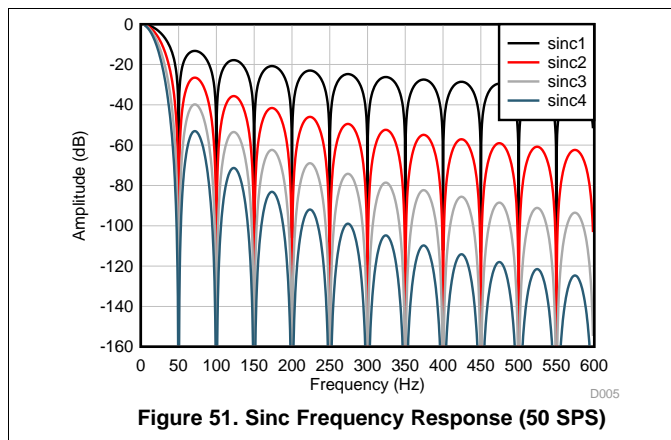
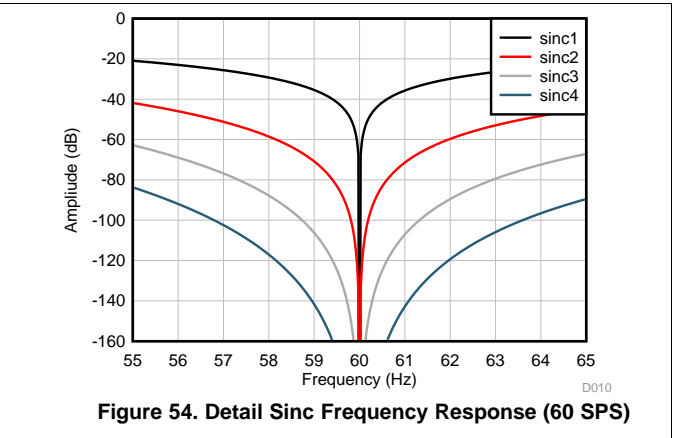
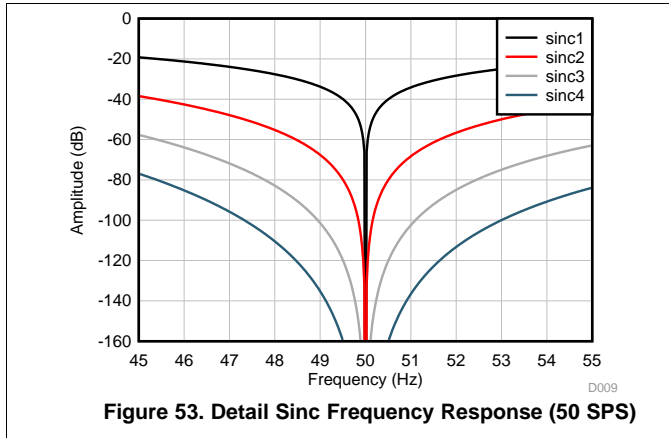


Figure 53 and Figure 54 show the detailed frequency response at 50 SPS and 60 SPS, respectively.



8.3.7.2 FIR Filter

The finite impulse response (FIR) filter is a coefficient based filter that provides an overall low-pass filter response. The filter provides simultaneous attenuation of 50 Hz and 60 Hz and harmonics at data rates of 2.5 SPS through 20 SPS. The conversion latency time of the FIR filter data rates is single-cycle. As shown in Figure 48, the FIR filter receives pre-filtered data from the sinc filter. The FIR filter decimates the data to yield the output data rates of 20 SPS. A variable averager (sinc1) provides data rates of 10 SPS, 5 SPS, and 2.5 SPS. Table 4 lists the bandwidth of the data rates in FIR filter mode.

8.3.7.2.1 FIR Filter Frequency Response

Figure 55 and Figure 56 show the FIR filter attenuation at 50 Hz and 60 Hz provided by a series of response nulls placed close to these frequencies. The response nulls are repeated at harmonics of 50 Hz and 60 Hz.

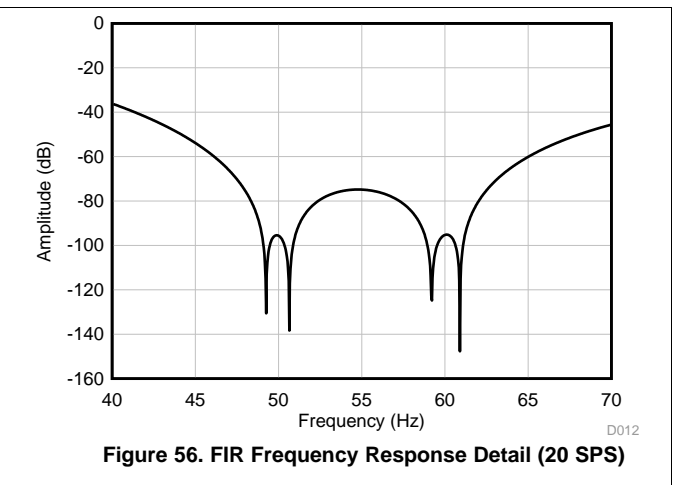
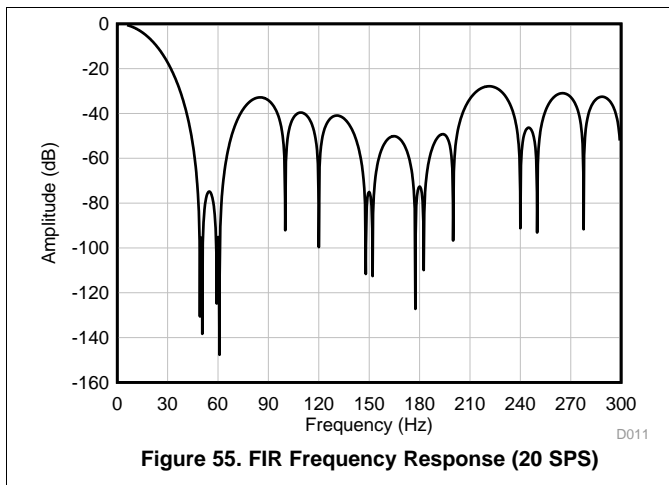


Figure 57 is the FIR filter response at 10 SPS. As a result of the variable averager used to produce rates of 10 SPS and lower, new frequency nulls are superimposed to the response. The first null appears at the data rate. At 10 SPS, additional nulls occur at frequencies folded around multiples of 20 Hz.

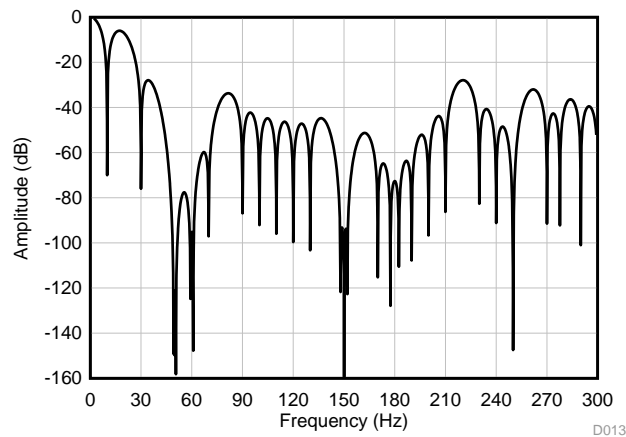


Figure 57. FIR Frequency Response (10 SPS)

8.3.7.3 Filter Bandwidth

The bandwidth of the digital filter depends on the data rate, filter type and order. Be aware that the bandwidth of the entire system is the combined response of the digital filter, the antialias filter and the use of external analog filters. Table 4 lists the bandwidth of the digital filter versus data rate and filter mode.

Table 4. Filter Bandwidth

DATA RATE (SPS)	-3-dB BANDWIDTH (Hz)				
	FIR	SINC1	SINC2	SINC3	SINC4
2.5	1.2	1.10	0.80	0.65	0.58
5	2.4	2.23	1.60	1.33	1.15
10	4.7	4.43	3.20	2.62	2.28
16.6	—	7.38	5.33	4.37	3.80
20	13	8.85	6.38	5.25	4.63
50	—	22.1	16.0	13.1	11.4
60	—	26.6	19.1	15.7	13.7
100	—	44.3	31.9	26.2	22.8
400	—	177	128	105	91.0
1200	—	525	381	314	273
2400	—	1015	751	623	544
4800	—	1798	1421	1214	1077
7200	—	2310	1972	1750	1590

8.3.7.4 50-Hz and 60-Hz Normal Mode Rejection

To reduce 50-Hz and 60-Hz noise interference, configure the data rate and filter to reject noise at 50 Hz and 60 Hz. [Table 5](#) summarizes the 50-Hz and 60-Hz noise rejection versus data rate and filter mode. The table values are based on 2% and 6% tolerance of signal frequency to ADC clock frequency. For the sinc filter, increase noise rejection by increasing the order of the filter. Common-mode noise is also rejected at these frequencies.

Table 5. 50-Hz and 60-Hz Normal Mode Rejection

DATA RATE (SPS)	FILTER TYPE	DIGITAL FILTER RESPONSE (dB)			
		50 Hz $\pm 2\%$	60 Hz $\pm 2\%$	50 Hz $\pm 6\%$	60 Hz $\pm 6\%$
2.5	FIR	-113	-99	-88	-80
2.5	Sinc1	-36	-37	-40	-37
2.5	Sinc2	-72	-74	-80	-74
2.5	Sinc3	-108	-111	-120	-111
2.5	Sinc4	-144	-148	-160	-148
5	FIR	-111	-95	-77	-76
5	Sinc1	-34	-34	-30	-30
5	Sinc2	-68	-68	-60	-60
5	Sinc3	-102	-102	-90	-90
5	Sinc4	-136	-136	-120	-120
10	FIR	-111	-94	-73	-68
10	Sinc1	-34	-34	-25	-25
10	Sinc2	-68	-68	-50	-50
10	Sinc3	-102	-102	-75	-75
10	Sinc4	-136	-136	-100	-100
16.6	Sinc1	-34	-21	-24	-21
16.6	Sinc2	-68	-42	-48	-42
16.6	Sinc3	-102	-63	-72	-63
16.6	Sinc4	-136	-84	-96	-84
20	FIR	-95	-94	-66	-66
20	Sinc1	-18	-34	-18	-24
20	Sinc2	-36	-68	-36	-48
20	Sinc3	-54	-102	-54	-72
20	Sinc4	-72	-136	-72	-96
50	Sinc1	-34	-15	-24	-15
50	Sinc2	-68	-30	-48	-30
50	Sinc3	-102	-45	-72	-45
50	Sinc4	-136	-60	-96	-60
60	Sinc1	-13	-34	-12	-24
60	Sinc2	-27	-68	-24	-48
60	Sinc3	-40	-102	-36	-72
60	Sinc4	-53	-136	-48	-96

8.4 Device Functional Modes

8.4.1 Conversion Control

Conversions are controlled by either the START pin or by the START command. If using commands to control conversions, keep the START pin low to avoid contentions between pin and commands. Commands take affect on the 16th falling SCLK edge (CRC mode disabled) or on the 32nd falling SCLK edge (CRC mode enabled). See [Figure 4](#) for conversion-control timing details.

The ADC provides two conversion modes: continuous and pulse. The continuous-conversion mode performs conversions indefinitely until stopped by the user. Pulse-conversion mode performs one conversion and then stops. The conversion mode is programmed by the CONVRT bit (bit 4 of register MODE0).

8.4.1.1 Continuous-Conversion Mode

This conversion mode performs continuous conversions until stopped by the user. To start conversions, take the START pin high or send the START command. $\overline{\text{DRDY}}$ is driven high at the time the conversion is initiated. $\overline{\text{DRDY}}$ is driven low when the conversion data are ready. Conversion data are available to read at that time. Conversions are stopped by taking the START pin low or by sending the STOP command. When conversions are stopped, the conversion in progress runs to completion. To restart a conversion that is in progress, toggle the START pin low-then-high or send a new START command.

8.4.1.2 Pulse-Conversion Mode

In pulse-conversion mode, the ADC performs one conversion when START is taken high or when the START command is sent. When the conversion completes, further conversions stop. The $\overline{\text{DRDY}}$ output is driven high to indicate the conversion is in progress, and is driven low when the conversion data are ready. Conversion data are available to read at that time. To restart a conversion in progress, toggle the START pin low-then-high or send a new START command. Driving START low or sending the STOP command does not interrupt the current conversion.

8.4.1.3 Conversion Latency

The digital filter averages data from the modulator in order to produce the conversion result. The stages of the digital filter must have settled data in order to provide fully-settled output data. The order and the decimation ratio of the digital filter determine the amount of data averaged, and in turn, affect the latency of the conversion data. The FIR and sinc1 filter modes are zero latency because the ADC provides the conversion result in one conversion cycle. Latency time is an important consideration for the data throughput rate in multiplexed applications.

[Table 6](#) lists the conversion latency values of the ADC. Conversion latency is defined as the time from the start of the first conversion, by taking the START pin high or sending the START command, to the time when fully settled conversion data are ready. If the input signal is settled, then the ADC provides fully settled data. The conversion latency values listed in the table are with the start-conversion delay parameter = 50 μs , and include the overhead time needed to process the data. After the first conversion completes (in continuous conversion mode), the period of the following conversions are equal to $1/f_{\text{DATA}}$. The first conversion latency in chop and ac-excitation modes are twice the values listed in the table. Also when operating in these modes, the period of following conversions are equal to the values listed in the table.

Device Functional Modes (continued)

Table 6. Conversion Latency

DATA RATE (SPS)	CONVERSION LATENCY - $t_{(STDR)}^{(1)}$ (ms)				
	FIR	SINC1	SINC2	SINC3	SINC4
2.5	402.2	400.4	800.4	1,200	1,600
5	202.2	200.4	400.4	600.4	800.4
10	102.2	100.4	200.4	300.4	400.4
16.6	—	60.43	120.4	180.4	240.4
20	52.23	50.43	100.4	150.4	200.4
50	—	20.43	40.43	60.43	80.43
60	—	17.09	33.76	50.43	67.09
100	—	10.43	20.43	30.43	40.43
400	—	2.925	5.425	7.925	10.43
1200	—	1.258	2.091	2.925	3.758
2400	—	0.841	1.258	1.675	2.091
4800	—	0.633	0.841	1.050	1.258
7200	—	0.564	0.702	0.841	0.980

(1) Chop mode off, conversion-start delay = 50 μ s (DELAY[3:0] = 0001)

If the input signal changes while free-running conversions, the conversion data are a mix of old and new data, as shown in Figure 58. After an input change, the number of conversion periods required for fully settled data are determined by dividing the conversion latency by the period of the data rate, plus add one conversion period to the result. In chop and ac-bridge excitation modes, use twice the latency values listed in the table.

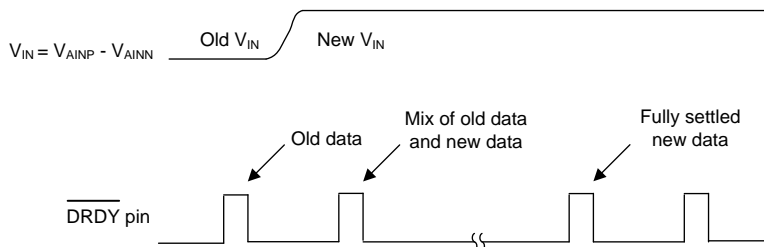


Figure 58. Input Change During Conversions

8.4.1.4 Start-Conversion Delay

Some applications require a delay at the start of a conversion in order to allow settling time for the PGA antialias filter or to allow time after input and configuration changes. The ADC provides a user programmable delay time that delays the start of a new conversion. The default value is 50 μ s. 50 μ s allows for settling of the antialiasing filter placed at the PGA output. Use additional delay time as needed to provide settling time for external components. The delay time increases the conversion latency values listed in Table 6. As an alternative to the programmable start-conversion delay, manually delay the start of conversion after input and configuration changes.

Start-conversion delay is an important consideration for operation in ac-bridge excitation mode. In this mode, the reference inputs to the bridge, and therefore, the bridge output signals are reversed for each conversion. As a result, time delay is required to allow for settling of external filter components after the bridge voltage is reversed. As a general guideline, set the start-conversion delay parameter to a minimum of 15 times the R-C time constant of the signal input and reference input filters.

8.4.2 Chop Mode

The PGA and modulator are chopper-stabilized at high frequency in order to reduce offset voltage, offset voltage drift and 1/f noise. The offset and noise artifacts are modulated to a high frequency by the chop operation, which are removed by the digital filter. Although chopper stabilization is designed to remove all offset, a small offset voltage may remain. The optional *global* chop mode removes the remaining offset errors, providing near zero offset voltage drift performance.

Chop mode alternates the signal polarity between consecutive conversions in order to remove offset. The ADC subtracts consecutive, alternate-polarity conversions to yield the final conversion data. The result of subtraction removes the offset.

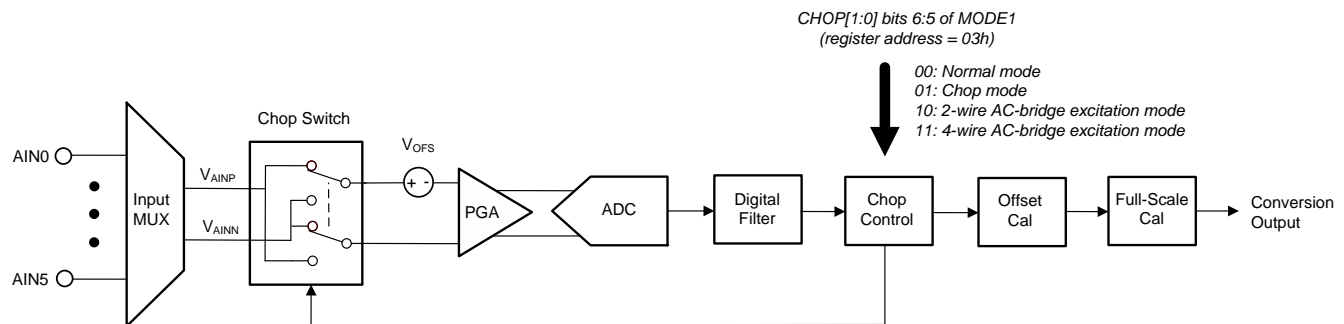


Figure 59. ADC Chop Mode

As shown in [Figure 59](#), the internal chop switch reverses the signal after the input multiplexer. V_{OFS} models the internal offset voltage. The operational sequence of chop mode is as follows:

Conversion C1: $V_{AINP} - V_{AINN} - V_{OFS} \rightarrow$ First conversion withheld after start

Conversion C2: $V_{AINN} - V_{AINP} - V_{OFS} \rightarrow$ Output 1 = $(C1 - C2) / 2 = V_{AINP} - V_{AINN}$

Conversion C3: $V_{AINP} - V_{AINN} - V_{OFS} \rightarrow$ Output 2 = $-(C3 - C2) / 2 = V_{AINP} - V_{AINN}$

The sequence repeats for all conversions. Because of the required settling time to alternate the internal polarity, the effective data rate in chop mode operation is reduced. The chop mode data rate is proportional to the order of the sinc filter. Referring to [Table 6](#), the new data rate is equal to $1 / \text{latency values}$; and be aware the chop mode first conversion latency is $2 \times \text{latency values}$. As a consequence of the internal data subtraction, two data points are effectively averaged together. Averaging of data reduces noise by $\sqrt{2}$. Divide the noise data values shown in [Table 1](#) by $\sqrt{2}$ to derive the chop mode noise performance data. The null frequencies of the digital filter are not changed in chop-mode operation. However, new null frequencies appear at multiples of $f_{DATA} / 2$ as a result of averaging.

8.4.3 AC-Bridge Excitation Mode

Resistive bridge sensors are excited by dc or ac voltages; or by dc or ac currents. DC voltage excitation is the most common type of excitation. AC excitation reverses the polarity of the excitation voltage by the use of external switching components. Similar in concept to chop mode, the result of the voltage reversal removes offset voltage in the connections leading from the bridge to the ADC inputs. This also includes the offset voltage of the ADC itself. The ADC provides the signals necessary to drive the external switching components in order to reverse the bridge voltage.

The timing of the drive signals is synchronized to the ADC conversion phase. During one conversion phase, the voltage polarity is normal. For the alternate conversion phase, the voltage polarity is reversed. The ADC compensates the reversed polarity conversion by internal reversing the reference voltage. The ADC subtracts the data corresponding to the normal and reverse phases in order to remove offset voltage from the input.

The ADC output drive signals are non-overlapping in order to avoid bridge cross-conduction that can otherwise occur during excitation voltage reversal. The switch rate of the ac-excitation drive signals are performed at the data rate to avoid unnecessary fast switching. See [Figure 7](#) for output drive timing.

Table 7 shows the ac-bridge excitation drive signals and the associated GPIO pins. Program the ac-bridge excitation mode using the CHOP[1:0] bits in register MODE1. AC-bridge excitation can be programmed for two-wire or four-wire drive mode. For two-wire operation, two drive signals are provided on the GPIOs. If needed, use two external inverters to derive four signals to drive discrete transistors. The GPIO drive levels are referred to the 5-V analog supply. Be aware that the ac-bridge excitation mode changes the nominal data rate, depending on the order of the sinc filter. See the [Chop Mode](#) section for details of the effective data rate.

Table 7. AC-Bridge Excitation Drive Pins

DEVICE PIN	GPIO	2-WIRE MODE (CHOP[1:0] = 10)	4-WIRE MODE (CHOP[1:0] = 11)
AIN0	GPIO0	$\overline{ACX1}$	$\overline{ACX1}$
AIN1	GPIO1	$\overline{ACX2}$	$\overline{ACX2}$
AIN2	GPIO2	—	ACX1
AIN3	GPIO3	—	ACX2

8.4.4 ADC Clock Mode

Operate the ADC with an external clock or with the internal oscillator. The clock frequency is 7.3728 MHz. For external clock operation, apply the clock signal to CLKIN. For internal-clock operation, connect CLKIN to DGND. The internal oscillator begins operation immediately at power-up. The ADC automatically selects the clock mode of operation. Read the clock mode bit in the STATUS register to determine the clock mode.

8.4.5 Power-Down Mode

The ADC has two power-down modes: hardware and software. In both power-down modes, the digital outputs remain driven. The digital inputs must be maintained at V_{IH} or V_{IL} levels (do not float the digital inputs). The internal low-dropout regulator remains on, drawing 25 μ A (typical) from DVDD.

8.4.5.1 Hardware Power-Down

Take the \overline{PWDN} pin low to engage hardware power-down mode. Except for the internal LDO, all ADC functions are disabled. To exit hardware power-down mode (wake-up) take the \overline{PWDN} pin high. The register values are not reset at wake-up.

8.4.5.2 Software Power-Down

Set the PWDN bit (bit 7 of register MODE3) to engage software power-down mode. Similar to the operation of hardware power-down mode, software mode powers down the internal functions except in this case the serial interface. Exit the software power-down mode by clearing the PWDN bit. The register values are not reset.

8.4.6 Reset

The ADC is reset in three ways: at power-on, by the \overline{RESET} pin, and by the RESET command. When reset, the serial interface, conversion-control logic, digital filter, and register values are reset. The RESET bit of the STATUS byte is set to indicate a device reset has occurred by any of the three reset methods. Clear the bit to detect the next device reset. If the START pin is high after reset, the ADC begins conversions.

8.4.6.1 Power-on Reset

At power-on, after the supply voltages cross the reset-voltage thresholds, the ADC is reset and $2^{16} f_{CLK}$ cycles later the ADC is ready for communication. Until this time, \overline{DRDY} is held low. \overline{DRDY} is driven high to indicate when the ADC is ready for communication. If the START pin is high, the conversion cycle starts $512 / f_{CLK}$ cycles after \overline{DRDY} asserts high. [Figure 5](#) shows the power-on reset behavior.

8.4.6.2 Reset by Pin

Reset the ADC by taking the \overline{RESET} pin low and then returning the pin high. After reset, the conversion starts $512 / f_{CLK}$ cycles later. See [Figure 6](#) for RESET timing.

8.4.6.3 Reset by Command

Reset the ADC by the RESET command. Toggle \overline{CS} high to make sure the serial interface resets before sending the command. For applications that tie \overline{CS} low, see the [Serial Interface Auto-Reset](#) section for information on how to reset the serial interface. After reset, the conversion starts $512 / f_{CLK}$ cycles later. See [Figure 6](#) for timing details.

8.4.7 Calibration

The ADC incorporates calibration registers and associated commands to calibrate offset and full-scale errors. Calibrate by using calibration commands, or calibrate by writing to the calibration registers directly (user calibration). To calibrate by command, send the offset or full-scale calibration commands. To user calibrate, write values to the calibration registers based on calculations of the conversion data. Perform offset calibration before full-scale calibration.

8.4.7.1 Offset and Full-Scale Calibration

Use the offset and full-scale (gain) registers to correct offset or full-scale errors, respectively. As shown in [Figure 60](#), the offset calibration register is subtracted from the output data before multiplication by the full-scale register, which is divided by 400000h. After the calibration operation, the final output data are clipped to 24 bits.

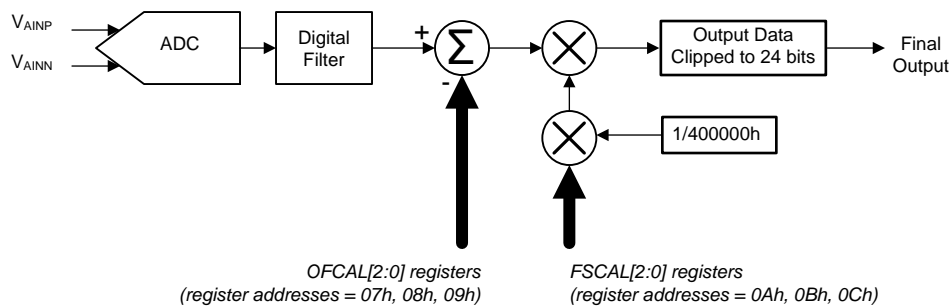


Figure 60. Calibration Block Diagram

[Equation 4](#) shows the internal calibration.

$$\text{Final Output Data} = (\text{Filter Output} - OFCAL[2:0]) \cdot FSCAL[2:0] / 400000h \quad (4)$$

8.4.7.1.1 Offset Calibration Registers

The offset calibration word is 24 bits, consisting of three 8-bit registers, as listed in [Table 8](#). The offset value is subtracted from the conversion result. The offset value is in two's complement format with a maximum positive value equal to 7FFFFFFh, and a maximum negative value equal to 800000h. A register value equal to 000000h has no offset correction. Although the offset calibration register provides a wide range of possible offset values, the input signal after calibration cannot exceed $\pm 106\%$ of the pre-calibrated range; otherwise, the ADC is overranged. [Table 9](#) lists example values of the offset register.

Table 8. Offset Calibration Registers

REGISTER	BYTE ORDER	ADDRESS	BIT ORDER							
			B7	B6	B5	B4	B3	B2	B1	B0 (LSB)
OFCAL0	LSB	07h	B7	B6	B5	B4	B3	B2	B1	B0 (LSB)
OFCAL1	MID	08h	B15	B14	B13	B12	B11	B10	B9	B8
OFCAL2	MSB	09h	B23 (MSB)	B22	B21	B20	B19	B18	B17	B16

Table 9. Offset Calibration Register Values

OFCAL[2:0] REGISTER VALUE	IDEAL OUTPUT VALUE ⁽¹⁾
000001h	FFFFFFh
000000h	000000h
FFFFFFh	000001h

(1) Output value with no offset error

8.4.7.1.2 Full-Scale Calibration Registers

The full-scale calibration word is 24 bits consisting of three 8-bit registers, as listed in [Table 10](#). The full-scale calibration value is in straight-binary format, normalized to a unity-gain factor at a value of 400000h. [Table 11](#) lists register values for selected gain factors. Gain errors greater than unity are corrected by using full-scale values less than 400000h. Although the full-scale register provides a wide range of possible values, the input signal after calibration must not exceed $\pm 106\%$ of the precalibrated input range; otherwise, the ADC is overranged.

Table 10. Full-Scale Calibration Registers

REGISTER	BYTE ORDER	ADDRESS	BIT ORDER							
			B7	B6	B5	B4	B3	B2	B1	B0 (LSB)
FSCAL0	LSB	0Ah	B7	B6	B5	B4	B3	B2	B1	B0 (LSB)
FSCAL1	MID	0Bh	B15	B14	B13	B12	B11	B10	B9	B8
FSCAL2	MSB	0Ch	B23 (MSB)	B22	B21	B20	B19	B18	B17	B16

Table 11. Full-Scale Calibration Register Values

FSCAL[2:0] REGISTER VALUE	GAIN FACTOR
433333h	1.05
400000h	1.00
3CCCCCh	0.95

8.4.7.2 Offset Self-Calibration (SFOCAL)

The offset self-calibration command corrects offset errors internal to the ADC. When the offset self-calibration command is sent, the ADC disconnects the external inputs, shorts the inputs to the PGA, and then averages 16 conversion results to compute the calibration value. Averaging the data reduces conversion noise to improve calibration accuracy. When calibration is complete, the ADC restores the user input and performs one conversion using the new calibration value.

8.4.7.3 Offset System-Calibration (SYOCAL)

The offset system-calibration command corrects system offset errors. For this type of calibration, the user shorts the inputs to either the ADC or to the system. When the command is sent, the ADC averages 16 conversion results to compute the calibration value. Averaging the data reduces conversion noise to improve calibration accuracy. When calibration is complete, the ADC performs one conversion using the new calibration value.

8.4.7.4 Full-Scale Calibration (GANCAL)

The full-scale calibration command corrects gain error. To calibrate, apply a positive full-scale calibration voltage to the ADC, wait for the signal to settle, and then send the calibration command. The ADC averages 16 conversion results to compute the calibration value. Averaging the data reduces conversion noise to improve calibration accuracy. The ADC computes the full-scale calibration value so that the calibration voltage is scaled to positive full scale output code. When calibration is complete, the ADC performs one new conversion using the new calibration value.

8.4.7.5 Calibration Command Procedure

Use the following procedure to calibrate using commands. The register-lock mode must be UNLOCK for all calibration commands. After power-on, make sure the reference voltage has stabilized before calibrating. Perform offset calibration before full-scale calibration.

1. Configure the ADC as required.
2. Apply the appropriate calibration signal (zero or full-scale)
3. Take the START pin high or send the START command to start conversions. $\overline{\text{DRDY}}$ is driven high.
4. Before the conversion cycle completes, send the calibration command. Keep $\overline{\text{CS}}$ low otherwise the command is cancelled. Send no other commands during the calibration period.
5. Calibration time depends on the data rate and digital filter mode. See [Table 12](#). $\overline{\text{DRDY}}$ asserts low when calibration is complete. The offset or full-scale calibration registers are updated with new values. At calibration completion, new conversion data are ready using the new calibration value.

Table 12. Calibration Time (ms)

DATA RATE (SPS)	FILTER MODE ⁽¹⁾				
	FIR	SINC1	SINC2	SINC3	SINC4
2.5	6805	6801	7601	8401	9201
5	3405	3401	3801	4201	4601
10	1705	1701	1901	2101	2301
16.6	—	1021	1141	1261	1381
20	854.5	850.9	951.0	1051	1151
50	—	340.9	380.9	420.9	460.9
60	—	284.2	317.5	350.9	384.2
100	—	170.9	190.9	210.9	230.9
400	—	43.36	48.36	53.36	58.36
1200	—	15.02	16.69	18.36	20.02
2400	—	7.938	8.772	9.605	10.44
4800	—	4.397	4.813	5.230	5.647
7200	—	3.216	3.494	3.772	4.050

(1) Nominal clock frequency. Chop and AC-Excitation modes disabled.

8.4.7.6 User Calibration Procedure

To user calibrate, apply the calibration voltage, acquire conversion data, and compute the calibration value. The computed value is written to the corresponding calibration registers. Before starting calibration, preset the offset and full-scale registers to 000000h and 400000h, respectively.

To offset calibrate, short the ADC inputs (or inputs to the system) and average n number of the conversion results. Averaging conversion data reduces noise to improve calibration accuracy. Write the averaged value of the conversion data to the offset registers.

To gain calibrate using a full scale calibration voltage, temporarily reduce the full scale register 95% to avoid output clipped codes (set FSCAL[2:0] to 3CCCCCh). Acquire n number of conversions and average the conversions to reduce noise to improve calibration accuracy. Compute the full-scale calibration value as shown in [Equation 5](#):

$$\text{Full-Scale Calibration Value} = \text{Expected Code} / \text{Actual Code} \cdot 400000\text{h}$$

where

- Expected code = 799998h using full scale calibration signal and 95% scale factor (5)

8.5 Programming

8.5.1 Serial Interface

The serial interface is SPI-compatible and is used to read conversion data, configure registers, and control the ADC. The serial interface consists of four control lines: \overline{CS} , SCLK, DIN, and DOUT/DRDY. Most microcontroller SPI peripherals can operate with the ADC. The interface operates in SPI mode 1, where CPOL = 0 and CPHA = 1. In SPI mode 1, SCLK idles low and data are updated or changed on SCLK rising edges; data are latched or read on SCLK falling edges. Timing details of the SPI protocol are found in [Figure 1](#) and [Figure 2](#).

8.5.1.1 Chip Select (\overline{CS})

\overline{CS} is an active-low input that selects the serial interface for communication. \overline{CS} must be low during the entire data transaction. When \overline{CS} is taken high, the serial interface resets, SCLK input activity is ignored (blocking commands), and DOUT/DRDY enters the high-impedance state. The operation of DRDY is not effected by \overline{CS} . If the ADC is a single device connected to the serial bus, \overline{CS} can be tied low in order to reduce the serial interface to three lines.

8.5.1.2 Serial Clock (SCLK)

SCLK is the serial clock input that shifts data into and out of the ADC. Output data are updated on the rising edge of SCLK and input data are latched on the falling edge of SCLK. Return SCLK low after the data operation is completed. SCLK is a Schmidt-triggered input designed to improve noise immunity. Even though SCLK is noise resistant, keep SCLK as noise-free as possible to avoid unintentional SCLK transitions. Avoid ringing and overshoot on the SCLK input. Place a series termination resistor close to the SCLK drive pin to reduce ringing.

8.5.1.3 Data Input (DIN)

DIN is the serial data input to the ADC. DIN is used to input commands and register data to the ADC. Data are latched on the falling edge of SCLK.

8.5.1.4 Data Output/Data Ready (DOUT/DRDY)

The DOUT/DRDY pin is a dual-function output. The functions of this pin are data output and data ready. The functionality changes automatically based on whether a read data operation is in progress. During a read data operation, the functionality is data output. After the read operation is complete, the functionality changes to data ready.

In data output mode, data are updated on the SCLK rising edge, therefore the host latches the data on the falling edge of SCLK. In data-ready mode, the pin functions the same as DRDY (if \overline{CS} is low) by asserting low when data are ready. Therefore, monitor either DOUT/DRDY or DRDY to determine when data are ready. When \overline{CS} is high, the DOUT/DRDY pin is in the high-impedance mode (tri-state).

8.5.1.5 Serial Interface Auto-Reset

The serial interface is reset by taking \overline{CS} high. Applications that tie \overline{CS} low do not have the ability to reset the serial interface by \overline{CS} . If a false SCLK occurs (for example, caused by a noise pulse or clocking glitch), the serial interface may inadvertently advance one or more bit positions, resulting in loss of synchronization to the host. If loss of synchronization occurs, the ADC interface does not respond correctly until the interface is reset.

For applications that tie \overline{CS} low, the serial interface auto-reset feature recovers the interface in the event that an unintentional SCLK glitch occurs. When the first SCLK low-to-high transition occurs (either caused by a glitch or by normal SCLK activity), seven SCLK transitions must occur within $65536 f_{CLK}$ cycles (8.9 ms) to complete the byte transaction, otherwise the serial interface resets. After reset, the interface is ready to begin the next byte transaction. If the byte transaction is completed within the $65536 f_{CLK}$ cycles, the serial interface does not reset. The cycle of SCLK detection re-starts at the next rising edge of SCLK. The serial interface is reset by holding SCLK low for a minimum $65536 f_{CLK}$ cycles.

The auto-reset function is enabled by the SPITIM bit (default is off). See [Figure 3](#) for timing details.

Programming (continued)

8.5.2 Data Ready ($\overline{\text{DRDY}}$)

$\overline{\text{DRDY}}$ is an output that asserts low when conversion data are ready. After power-up, $\overline{\text{DRDY}}$ also indicates when the ADC is ready for communication. The operation of $\overline{\text{DRDY}}$ depends on the conversion mode (continuous or pulse) and whether the conversion data are retrieved or not. Figure 61 shows $\overline{\text{DRDY}}$ operation with and without data retrieval in the two modes of conversion.

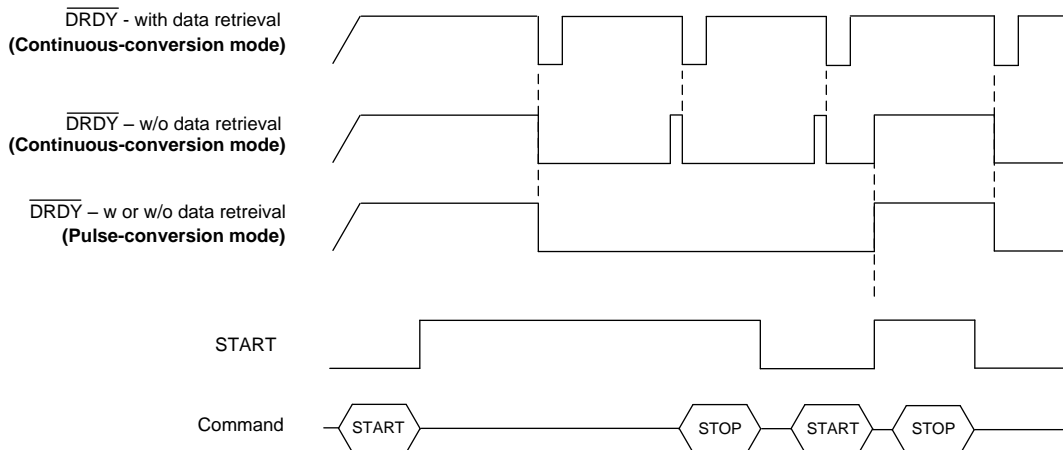


Figure 61. $\overline{\text{DRDY}}$ Operation

8.5.2.1 $\overline{\text{DRDY}}$ in Continuous-Conversion Mode

In continuous-conversion mode, $\overline{\text{DRDY}}$ is driven high when conversions are started and is driven low when conversion data are ready. During data readback, $\overline{\text{DRDY}}$ returns high at the end of the read operation. If the conversion data are not read, $\overline{\text{DRDY}}$ pulses high 16 f_{CLK} cycles prior to the next falling edge.

To read conversion data before the next conversion is ready, send the complete read-data command 16 f_{CLK} cycles before the next $\overline{\text{DRDY}}$ falling edge. If the readback command is sent less than 16 f_{CLK} cycles before the $\overline{\text{DRDY}}$ falling edge, either old or new conversion data are provided, depending on the timing of when the command is sent. In the case that old conversion data are provided, $\overline{\text{DRDY}}$ driven low is delayed until after the read data operation is completed. In this case, the $\overline{\text{DRDY}}$ bit of the STATUS byte is cleared to indicate the same data have been read. If new conversion data are provided, $\overline{\text{DRDY}}$ transitions low at the normal period of the data rate. In this case, the $\overline{\text{DRDY}}$ bit of the STATUS byte is set to indicate that new data have been read. To make sure new data are read back, wait until $\overline{\text{DRDY}}$ asserts low before starting the data read operation.

8.5.2.2 $\overline{\text{DRDY}}$ in Pulse-Conversion Mode

$\overline{\text{DRDY}}$ is driven high at conversion start and is driven low when the conversion data are ready. During the data read operation $\overline{\text{DRDY}}$ remains low until a new conversion is started.

8.5.2.3 Data Ready by Software Polling

Use software polling of data ready in lieu of hardware polling of $\overline{\text{DRDY}}$ or $\text{DOUT}/\overline{\text{DRDY}}$. To software poll, read the STATUS register and poll the $\overline{\text{DRDY}}$ bit. In order to not skip conversion data in continuous conversion mode, poll the bit at least as often as the period of the data rate. If the $\overline{\text{DRDY}}$ bit is set, then conversion data are new since the previous data read operation. If the bit is cleared, conversion data are not new since the previous data read operation. In this case, the previous conversion data are returned.

8.5.3 Conversion Data

Conversion data are read by the RDATA command. To read data, take $\overline{\text{CS}}$ low and issue the read data command. The data field response consists of the optional STATUS byte, three data bytes, and the optional CRC byte. The CRC is computed over the combination of status byte and conversion data bytes. See the [RDATA Command](#) for details to read conversion data.

Programming (continued)

8.5.3.1 Status byte (STATUS)

The status byte contains information on the operating state of the ADC. The STATUS byte is included with the conversion data by enabling bit STATENB of register MODE3. Optionally, read the STATUS register to directly determine status information without the need to read conversion data. See [Figure 67](#) for details.

8.5.3.2 Conversion Data Format

The conversion data are 24 bits, in two's-complement format to represent positive and negative values. The data output begins with the most significant bit (sign bit) first. The data are scaled so that $V_{IN} = 0$ V results in an uncalibrated code value of 000000h; positive full scale equals 7FFFFFFh and negative full scale equals 800000h; see [Table 13](#) for the uncalibrated code values. The data are clipped to 7FFFFFFh (positive full scale) and 800000h (negative full scale) during positive and negative signal overdrive, respectively.

Table 13. ADC Conversion Data Codes

DESCRIPTION	INPUT SIGNAL (V)	24-BIT CONVERSION DATA ⁽¹⁾
Positive Full Scale	$\geq V_{REF} / \text{Gain} \cdot (2^{23} - 1) / 2^{23}$	7FFFFFFh
1 LSB	$V_{REF} / (\text{Gain} \cdot 2^{23})$	000001h
Zero scale	0	000000h
-1 LSB	$-V_{REF} / (\text{Gain} \cdot 2^{23})$	FFFFFFh
Negative Full Scale	$\leq -V_{REF} / \text{Gain}$	800000h

(1) Ideal (calibrated) conversion data

8.5.4 CRC

Cyclic redundancy check (CRC) is an error checking code that detects communication errors to and from the host. CRC is the division remainder of the data payload bytes by a fixed polynomial. The data payload is 1, 2, 3 or 4 bytes depending on the data operation. The CRC mode is optional and is enabled by the CRCENB bit. See [Table 33](#) to program the CRC mode.

The user computes the CRC corresponding to the two command bytes and appends the CRC to the command string (3rd byte). A 4th, zero-value byte completes the command field. The ADC repeats the CRC calculation and compares the calculation to the received CRC. If the user and repeated CRC values match, the command executes and the ADC responds by transmitting the repeated CRC during the 4th byte of the command. If the operation is conversion data or register data read, the ADC responds with a 2nd CRC that is computed over the requested data payload bytes. The response data payload is 1, 3, or 4 bytes depending on the data operation.

If the user and repeated CRC values do not match, the command does not execute and the ADC responds with an inverted CRC for the actual received command bytes. The inverted CRC is intended to signal the host of the failed operation. The user terminates transmission of the command bytes to match the action of ADC termination. The CRCERR bit is set in the STATUS register when a CRC error is detected. The ADC is ready to accept the next command after a CRC error occurs at the end of the 4th byte.

The CRC data byte is the 8-bit remainder of the bitwise exclusive-OR (XOR) operation of the argument by a CRC polynomial. The CRC polynomial is based on the CRC-8-ATM (HEC): $X^8 + X^2 + X^0 + 1$. The nine binary polynomial coefficients are: 100000111. The CRC calculation is preset with "1" data values.

The CRC mnemonics apply to the following command sections.

- CRC-2: Input CRC of command bytes 1 and 2. Except for WREG command, the value of byte 2 is arbitrary
- Out CRC-1: Output CRC of one register data byte
- Out CRC-2: Output CRC of two command bytes, inverted value if input CRC error detected
- Out CRC-3: Output CRC of three conversion data bytes
- Out CRC-4: Output CRC of three conversion data bytes plus STATUS byte
- Echo Byte 1: Echo of received input byte 1
- Echo Byte 2: Echo of received input byte 2

8.5.5 Commands

Commands read conversion data, control the ADC, and read and write register data. See [Table 14](#) for the list of commands. Send only the commands that are listed in [Table 14](#). The ADC executes commands at completion of the 2nd byte (no CRC verification) or at completion of the 4th byte (with CRC verification). Follow the two byte or four byte format according to the CRC mode. Except for register write commands, the value of the second command byte is arbitrary but the value is included in the CRC calculation (total of two-byte CRC). If a CRC error is detected, the ADC does not execute the command. Taking \overline{CS} high before the command is completed results in termination of the command. When \overline{CS} is taken low, the communication frame is reset to begin a new command.

Table 14. Command Byte Summary

MNEMONIC	DESCRIPTION	BYTE 1	BYTE 2	BYTE 3 (CRC Mode Only)	BYTE 4 (CRC Mode only)
Control Commands					
NOP	No operation	00h	Arbitrary	CRC-2	00h
RESET	Reset	06h	Arbitrary	CRC-2	00h
START	Start conversion	08h	Arbitrary	CRC-2	00h
STOP	Stop conversion	0Ah	Arbitrary	CRC-2	00h
Read Data Command					
RDATA	Read conversion data	12h	Arbitrary	CRC-2	00h
Calibration Commands					
SYOCAL	System offset calibration	16h	Arbitrary	CRC-2	00h
GANCAL	Gain calibration	17h	Arbitrary	CRC-2	00h
SFOCAL	Self offset calibration	19h	Arbitrary	CRC-2	00h
Register Commands					
RREG	Read register data	20h + rrh ⁽¹⁾	Arbitrary	CRC-2	00h
WREG	Write register data	40h + rrh ⁽¹⁾	Register data	CRC-2	00h
Protection Commands					
LOCK	Register lock	F2h	Arbitrary	CRC-2	00h
UNLOCK	Register unlock	F5h	Arbitrary	CRC-2	00h

(1) rrh = 5-bit register address.

8.5.5.1 NOP Command

This command is no operation. Use the NOP command to validate the CRC response byte and error detection without affecting normal operation. [Table 15](#) shows the NOP command byte sequence.

Table 15. NOP Command

DIRECTION	BYTE 1	BYTE 2	BYTE 3	BYTE 4
No CRC mode				
DIN	00h	Arbitrary		
$\overline{DOUT/DRDY}$	FFh	Echo byte 1		
CRC mode				
DIN	00h	Arbitrary	CRC-2	00h
$\overline{DOUT/DRDY}$	FFh	Echo byte 1	Echo byte 2	Out CRC-2

8.5.5.2 RESET Command

The RESET command resets ADC operation and resets the registers to default values. See the [Reset by Command](#) section for details. [Table 16](#) shows the RESET command byte sequence.

Table 16. RESET Command

DIRECTION	BYTE 1	BYTE 2	BYTE 3	BYTE 4
No CRC mode				
DIN	06h	Arbitrary		
DOUT/DRDY	FFh	Echo byte 1		
CRC mode				
DIN	06h	Arbitrary	CRC-2	00H
DOUT/DRDY	FFh	Echo byte 1	Echo byte 2	Out CRC-2

8.5.5.3 START Command

This command starts conversions. See the [Conversion Control](#) section for details. [Table 17](#) shows the START command byte sequence.

Table 17. START Command

DIRECTION	BYTE 1	BYTE 2	BYTE 3	BYTE 4
No CRC mode				
DIN	08h	Arbitrary		
DOUT/DRDY	FFh	Echo byte 1		
CRC mode				
DIN	08h	Arbitrary	CRC-2	00h
DOUT/DRDY	FFh	Echo byte 1	Echo byte 2	Out CRC-2

8.5.5.4 STOP Command

This command stops conversions. See the [Conversion Control](#) section for details. [Table 18](#) shows the STOP command byte sequence.

Table 18. STOP Command

DIRECTION	BYTE 1	BYTE 2	BYTE 3	BYTE 4
No CRC mode				
DIN	0Ah	Arbitrary		
DOUT/DRDY	FFh	Echo byte 1		
CRC mode				
DIN	0Ah	Arbitrary	CRC-2	00h
DOUT/DRDY	FFh	Echo byte 1	Echo byte 2	Out CRC-2

8.5.5.5 RDATA Command

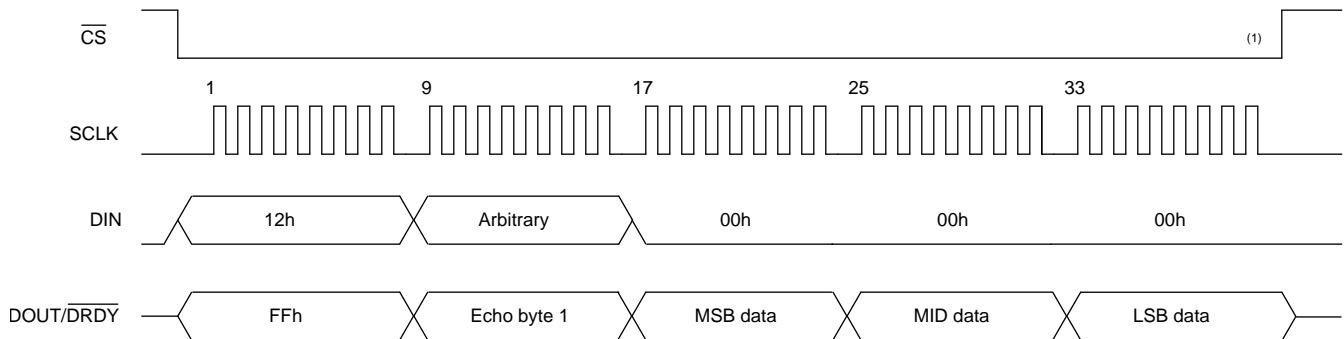
This command reads conversion data. Because the data are buffered, the data can be read at any time during the conversion phase. If data are read near the completion of the next conversion, old or new conversion data are returned. See the [Data Ready \(DRDY\)](#) section for details.

The response of conversion data varies in length from 3 to 5 bytes depending if the STATUS byte and CRC bytes are included. See the [Conversion Data Format](#) section for the numeric data format. See [Table 19](#), [Figure 62](#) (minimum configuration) and [Figure 63](#) (maximum configuration) for operation of the RDATA command.

Table 19. RDATA Command

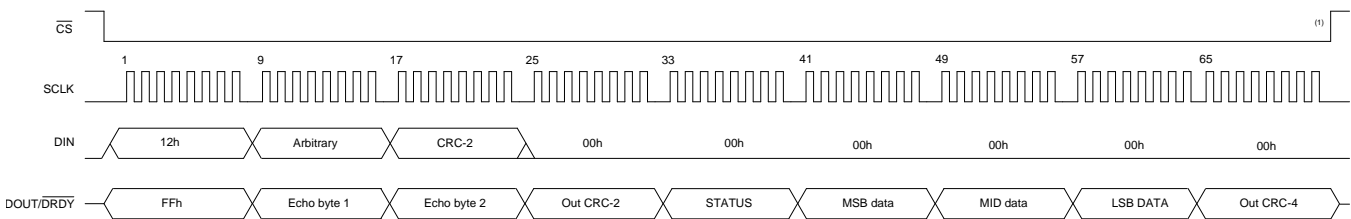
DIRECTION	BYTE 1	BYTE 2	BYTE 3	BYTE 4	BYTE 5	BYTE 6	BYTE 7	BYTE 8	BYTE 9
No CRC mode									
DIN	12h	Arbitrary	00h	00h	00h	00h			
DOU/DRDY	FFh	Echo byte 1	STATUS ⁽¹⁾	MSB data	MID data	LSB data			
CRC mode									
DIN	12h	Arbitrary	CRC-2	00h	00h	00h	00h	00h	00h
DOU/DRDY	FFh	Echo byte 1	Echo byte 2	Out CRC-2	STATUS ⁽¹⁾	MSB data	MID data	LSB data	Out CRC-3 or Out CRC-4

(1) Optional STATUS byte



(1) \overline{CS} can be tied low

Figure 62. Conversion Data Read Operation (STATUS Byte and CRC Mode Disabled)



A. \overline{CS} can be tied low

Figure 63. Conversion Data Read Operation (STATUS Byte and CRC Mode Enabled)

8.5.5.6 SYOCAL Command

This command is used for *system* offset calibration. See the [Offset System-Calibration \(SYOCAL\)](#) section for details. [Table 20](#) shows the SYOCAL command byte sequence.

Table 20. SYOCAL Command

DIRECTION	BYTE 1	BYTE 2	BYTE 3	BYTE 4
No CRC mode				
DIN	16h	Arbitrary		
DOU/DRDY	FFh	Echo byte 1		
CRC mode				
DIN	16h	Arbitrary	CRC-2	00h
DOU/DRDY	FFh	Echo byte 1	Echo Byte 2	Out CRC-2

8.5.5.7 GANCAL Command

This command is for gain calibration. See the [Calibration](#) section for details. [Full-Scale Calibration \(GANCAL\)](#) shows the GANCAL command byte sequence.

Table 21. GANCAL Command

DIRECTION	BYTE 1	BYTE 2	BYTE 3	BYTE 4
No CRC mode				
DIN	17h	Arbitrary		
DOUT/ $\overline{\text{DRDY}}$	FFh	Echo byte 1		
CRC mode				
DIN	17h	Arbitrary	CRC-2	00h
DOUT/ $\overline{\text{DRDY}}$	FFh	Echo byte 1	Echo Byte 2	Out CRC-2

8.5.5.8 SFOCAL Command

This command is used for *self* offset calibration. See the [Offset Self-Calibration \(SFOCAL\)](#) section for details. [Table 22](#) shows the SFOCAL command byte sequence.

Table 22. SFOCAL Command

DIRECTION	BYTE 1	BYTE 2	BYTE 3	BYTE 4
No CRC mode				
DIN	19h	Arbitrary		
DOUT/ $\overline{\text{DRDY}}$	FFh	Echo byte 1		
CRC mode				
DIN	19h	Arbitrary	CRC-2	00h
DOUT/ $\overline{\text{DRDY}}$	FFh	Echo byte 1	Echo Byte 2	Out CRC-2

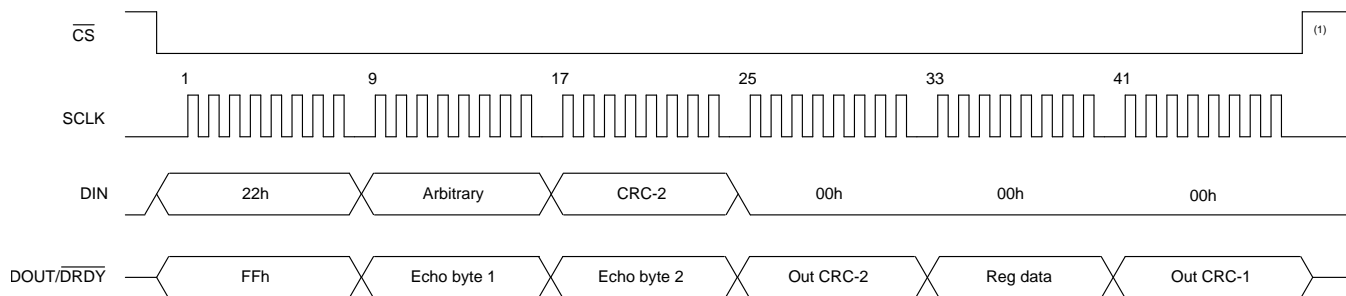
8.5.5.9 RREG Command

Use the RREG command to read register data. The register data are read one byte at a time by issuing the RREG command for each operation. Add the register address (rrh) to the base opcode (20h) to construct the command byte (20h + rrh). [Table 23](#) shows the command byte sequence. The ADC responds with the register data byte, most significant bit first. The response to registers outside the valid address range is 00h. [Figure 64](#) shows an example of the register read operation. The Out CRC-1 byte is the CRC calculated for the register data byte.

Table 23. RREG Command

DIRECTION	BYTE 1	BYTE 2	BYTE 3	BYTE 4	BYTE 5	BYTE 6
No CRC mode						
DIN	20h + rrh ⁽¹⁾	Arbitrary	00h			
DOUT/ $\overline{\text{DRDY}}$	FFh	Echo byte 1	Register data			
CRC mode						
DIN	20h + rrh	Arbitrary	CRC-2	00h	00h	00h
DOUT/ $\overline{\text{DRDY}}$	FFh	Echo byte 1	Echo byte 2	Out CRC-2	Register data	Out CRC-1

(1) rrh = 5-bit register address



(1) \overline{CS} can be tied low

Figure 64. Register Read Operation (address = 02h, CRC Mode Enabled)

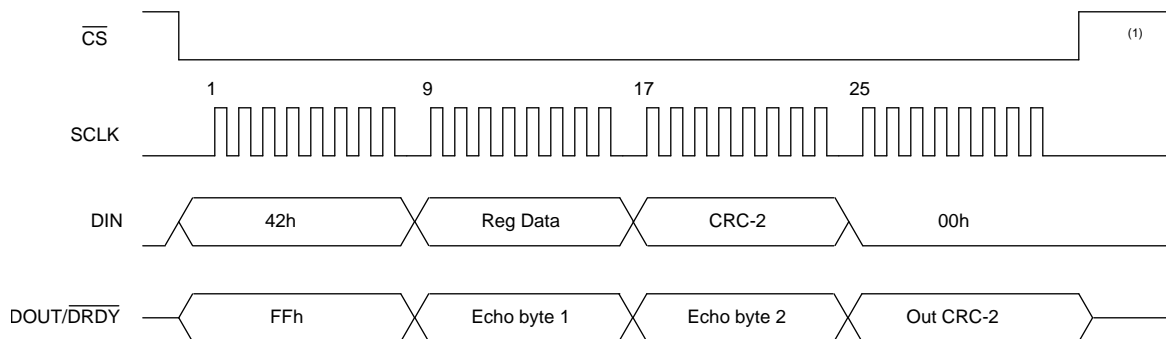
8.5.5.10 WREG Command

Use the WREG command to write register data. The register data are written one byte at a time by issuing the WREG command for each operation. Add the register address (rrh) to the base opcode (40h) to construct the command byte (40h + rrh). Table 24 shows the command byte sequence. Figure 65 shows an example of the WREG operation. Be aware that writing to certain registers results in conversion restart. Table 27 lists the registers that restart an ongoing conversion when written to. Do not write to registers outside the address range.

Table 24. WREG Command

DIRECTION	BYTE 1	BYTE 2	BYTE 3	BYTE 4
No CRC mode				
DIN	40h + rrh ⁽¹⁾	Register data		
DOUT/DRDY	FFh	Echo byte 1		
CRC mode				
DIN	40h + rrh	Register data	CRC-2	00h
DOUT/DRDY	FFh	Echo byte 1	Echo byte 2	Out CRC-2

(1) rrh = 5-bit register address.



A. \overline{CS} can be tied low

Figure 65. Register Write Operation (address = 02h, CRC Mode Enabled)

8.5.5.11 LOCK Command

The LOCK command locks-out write access to the registers including the calibration registers that are changed by calibration commands. The default mode is UNLOCK. Read access is allowed in LOCK mode. [Table 25](#) shows the LOCK command byte sequence.

Table 25. LOCK Command

DIRECTION	BYTE 1	BYTE 2	BYTE 3	BYTE 4
No CRC mode				
DIN	F2h	Arbitrary		
DOUT/ $\overline{\text{DRDY}}$	FFh	Echo byte 1		
CRC mode				
DIN	F2h	Arbitrary	CRC-2	00h
DOUT/ $\overline{\text{DRDY}}$	FFh	Echo byte 1	Echo Byte2	out CRC-2

8.5.5.12 UNLOCK Command

The UNLOCK command allows register write access, including access to the contents of the calibration registers that can be changed by the calibration commands. [Table 26](#) shows the UNLOCK command byte sequence.

Table 26. UNLOCK Command

DIRECTION	BYTE 1	BYTE 2	BYTE 3	BYTE 4
No CRC mode				
DIN	F5h	Arbitrary		
DOUT/ $\overline{\text{DRDY}}$	FFh	Echo byte 1		
CRC mode				
DIN	F5h	Arbitrary	CRC-2	00h
DOUT/ $\overline{\text{DRDY}}$	FFh	Echo byte 1	Echo Byte2	Out CRC-2

8.6 Register Map

The register map consists of 18, one-byte registers. Collectively, the registers are used to configure the ADC to the desired operating mode. Access the registers by using the RREG and WREG (read-register and write-register) commands. Register data are accessed one register byte at a time for each command operation. At power-on or device reset, the registers are reset to the default values, as shown in the *Default* column of [Table 27](#). Writing new data to certain registers causes the ADC conversion in progress to restart. The affected registers are listed in the *Restart* column in [Table 27](#).

Register-write access is enabled or disabled by the UNLOCK and LOCK commands, respectively. The default mode is register UNLOCK. See the [LOCK Command](#) section for more details.

Table 27. Register Map Summary

(rrh)	REGISTER	DEFAULT	RESTART	BIT 7	BIT 6	BIT 5	BIT 4	BIT 3	BIT 2	BIT 1	BIT 0
00h	ID	Cxh		DEV_ID[3:0]				REV_ID[3:0]			
01h	STATUS	01h		LOCK	CRCERR	PGAL_ALM	PGAH_ALM	REFL_ALM	DRDY	CLOCK	RESET
02h	MODE0	24h	Yes	0	DR[3:0]			FILTER[2:0]			
03h	MODE1	01h	Yes	0	CHOP[1:0]		CONVRT	DELAY[3:0]			
04h	MODE2	00h		GPIO_CON[3:0]				GPIO_DIR[3:0]			
05h	MODE3	00h		PWDN	STATENB	CRCENB	SPITIM	GPIO_DAT[3:0]			
06h	REF	05h	Yes	0	0	0	0	RMUXP[1:0]	RMUXN[1:0]		
07h	OFCAL0	00h		OFC[7:0]							
08h	OFCAL1	00h		OFC[15:8]							
09h	OFCAL2	00h		OFC[23:16]							
0Ah	FSCAL0	00h		FSC[7:0]							
0Bh	FSCAL1	00h		FSC[15:8]							
0Ch	FSCAL2	40h		FSC[23:16]							
0Dh	RESERVED	FFh		FFh							
0Eh	RESERVED	00h		00h							
0Fh	RESERVED	00h		00h							
10h	PGA	00h	Yes	BYPASS	0	0	0	0	GAIN[2:0]		
11h	INPMUX	FFh	Yes	MUXP[3:0]				MUXN[3:0]			

8.6.1 Device Identification (ID) Register (address = 00h) [reset = Cxh]

Figure 66. ID Register

7	6	5	4	3	2	1	0
DEV_ID[3:0]				REV_ID[3:0]			
NOTE: Reset values are device dependent							

LEGEND: R/W = Read/Write; R = Read only; -n = value after reset

Table 28. ID Register Field Descriptions

Bit	Field	Type	Reset	Description
7:4	DEV_ID[3:0]	R	Ch	Device ID 1100
3:0	REV_ID[3:0]	R	xh	Revision ID <i>Note: Revision ID can change without notification</i>

8.6.2 Device Status (STATUS) Register (address = 01h) [reset = 01h]
Figure 67. STATUS Register

7	6	5	4	3	2	1	0
LOCK	CRCERR	PGAL_ALM	PGAH_ALM	REFL_ALM	DRDY	CLOCK	RESET
R-0h	R/W-0h	R-0h	R-0h	R-0h	R-0h	R-xh	R/W-1h

LEGEND: R/W = Read/Write; R = Read only; -n = value after reset

Table 29. STATUS Register Field Descriptions

Bit	Field	Type	Reset	Description
7	LOCK	R	0h	Register Lock Status Indicates register lock status. Register writes are locked by the LOCK command and unlocked by the UNLOCK command. 0: Register write not locked (default) 1: Register write locked
6	CRCERR	R/W	0h	CRC Error Indicates that a CRC error is detected by the ADC. The CRC error bit remains set until cleared by the user. 0: No CRC error 1: CRC error
5	PGAL_ALM	R	0h	PGA Low Alarm Indicates PGA output voltage is below the low limit. The alarm resets at the start of conversion cycles. 0: No Alarm 1: Alarm
4	PGAH_ALM	R	0h	PGA High Alarm Indicates PGA output voltage is above the high limit. The alarm resets at the start of conversion cycles. 0: No Alarm 1: Alarm
3	REFL_ALM	R	0h	Reference Low Alarm Indicates reference voltage is below the low limit. The alarm resets at the start of conversion cycles. 0: No Alarm 1: Alarm
2	DRDY	R	0h	Data Ready Indicates conversion data ready. 0: Conversion data not new since the previous read operation 1: Conversion data new since the previous read operation
1	CLOCK	R	xh	Clock Indicates internal or external clock mode. The ADC automatically selects the clock source. 0: ADC clock is internal 1: ADC clock is external
0	RESET	R/W	1h	Reset Indicates ADC reset. Clear the bit to detect next device reset. 0: No reset 1: Reset (default)

8.6.3 Mode 0 (MODE0) Register (address = 02h) [reset = 24h]
Figure 68. MODE0 Register

7	6	5	4	3	2	1	0
0	DR[3:0]			FILTER[2:0]			
R/W-0h		R/W-4h			R/W-4h		

LEGEND: R/W = Read/Write; R = Read only; -n = value after reset

Table 30. MODE0 Register Field Descriptions

Bit	Field	Type	Reset	Description
7	0	R/W	0h	Reserved Always write 0
6:3	DR[3:0]	R/W	4h	Data Rate Select the ADC data rate. 0000: 2.5 SPS 0001: 5 SPS 0010: 10 SPS 0011: 16.6̄ SPS 0100: 20 SPS (default) 0101: 50 SPS 0110: 60 SPS 0111: 100 SPS 1000: 400 SPS 1001: 1200 SPS 1010: 2400 SPS 1011: 4800 SPS 1100: 7200 SPS 1101 - 1111: Reserved
2:0	FILTER[2:0]	R/W	4h	Digital Filter Select the digital filter mode. 000: sinc1 001: sinc2 010: sinc3 011: sinc4 100: FIR (default) 101 - 111: Reserved

8.6.4 Mode 1 (MODE1) Register (address = 03h) [reset = 01h]
Figure 69. MODE1 Register

7	6	5	4	3	2	1	0
0	CHOP[1:0]		CONVRT	DELAY[3:0]			
R/W-0h	R/W-0h		R/W-0h	R/W-1h			

LEGEND: R/W = Read/Write; R = Read only; -n = value after reset

Table 31. MODE1 Register Field Descriptions

Bit	Field	Type	Reset	Description
7	0	R/W	0h	Reserved Always write 0
6:5	CHOP[1:0]	R/W	0h	Chop and AC-Bridge Excitation Modes Select the Chop and ac-bridge excitation modes. 00: Normal mode (default) 01: Chop mode 10: 2-wire ac-bridge excitation mode 11: 4-wire ac-bridge excitation mode
4	CONVRT	R/W	0h	ADC Conversion Mode Select the ADC conversion mode. 0: Continuous conversions (default) 1: Pulse (one shot) conversion
3:0	DELAY[3:0]	R/W	1h	Conversion Start Delay Program the time delay at conversion start. Delay values are with $f_{CLK} = 7.3728$ MHz. 0000: 0 μ s 0001: 50 μ s (default) 0010: 59 μ s 0011: 67 μ s 0100: 85 μ s 0101: 119 μ s 0110: 189 μ s 0111: 328 μ s 1000: 605 μ s 1001: 1.16 ms 1010: 2.27 ms 1011: 4.49 ms 1100: 8.93 ms 1101: 17.8 ms 1110, 1111: Reserved

8.6.5 Mode 2 (MODE2) Register (address = 04h) [reset = 00h]
Figure 70. MODE2 Register

7	6	5	4	3	2	1	0
GPIO_CON[3:0]				GPIO_DIR[3:0]			
R/W-0h				R/W-0h			

LEGEND: R/W = Read/Write; R = Read only; -n = value after reset

Table 32. MODE2 Register Field Descriptions

Bit	Field	Type	Reset	Description
7	GPIO_CON[3]	R/W	0h	GPIO3 Pin Connection Connect GPIO3 to analog input AIN3. 0: GPIO3 not connected to AIN3 (default) 1: GPIO3 connected to AIN3
6	GPIO_CON[2]	R/W	0h	GPIO2 Pin Connection Connect GPIO2 to analog input AIN2. 0: GPIO2 not connected to AIN2 (default) 1: GPIO2 connected to AIN2
5	GPIO_CON[1]	R/W	0h	GPIO1 Pin Connection Connect GPIO1 to analog input AIN1. 0: GPIO1 not connected to AIN1 (default) 1: GPIO1 connected to AIN1
4	GPIO_CON[0]	R/W	0h	GPIO0 Pin Connection Connect GPIO0 to analog input AIN0 0: GPIO0 not connected to AIN0 (default) 1: GPIO0 connected to AIN0
3	GPIO_DIR[3]	R/W	0h	GPIO3 Pin Direction Configure GPIO3 as a GPIO input or GPIO output on AIN3. 0: GPIO3 is an output (default) 1: GPIO3 is an input
2	GPIO_DIR[2]	R/W	0h	GPIO2 Pin Direction Configure GPIO2 as a GPIO input or GPIO output on AIN2. 0: GPIO2 is an output (default) 1: GPIO2 is an input
1	GPIO_DIR[1]	R/W	0h	GPIO1 Pin Direction Configure GPIO1 as a GPIO input or GPIO output on AIN1. 0: GPIO1 is an output (default) 1: GPIO1 is an input
0	GPIO_DIR[0]	R/W	0h	GPIO0 Pin Direction Configure GPIO0 as a GPIO input or GPIO output on AIN0. 0: GPIO0 is an output (default) 1: GPIO0 is an input

8.6.6 Mode 3 (MODE3) Register (address = 05h) [reset = 00h]
Figure 71. MODE3 Register

7	6	5	4	3	2	1	0
PWDN	STATENB	CRCENB	SPITIM	GPIO_DAT[3:0]			
R/W-0h	R/W-0h	R/W-0h	R/W-0h	R/W-0h			

LEGEND: R/W = Read/Write; R = Read only; -n = value after reset

Table 33. MODE3 Register Field Descriptions

Bit	Field	Type	Reset	Description
7	PWDN	R/W	0h	Software Power-down Mode Enable the software power-down mode. 0: Normal mode (default) 1: Software power-down mode
6	STATENB	R/W	0h	STATUS Byte Enable the Status byte in the conversion data read operation. 0: No Status byte (default) 1: Status byte enabled
5	CRCENB	R/W	0h	CRC Data Verification Enable the CRC data verification. 0: No CRC (default) 1: CRC enabled
4	SPITIM	R/W	0h	SPI Auto-Reset Function Enable the SPI auto-reset function. 0: SPI auto-reset disabled (default) 1: SPI auto-reset enabled
3	GPIO_DAT[3]	R/W	0h	GPIO3 Data Read or write the GPIO3 data on AIN3. 0: GPIO3 is low (default) 1: GPIO3 is high
2	GPIO_DAT[2]	R/W	0h	GPIO2 Data Read or write the GPIO2 data on AIN2. 0: GPIO2 is low (default) 1: GPIO2 is high
1	GPIO_DAT[1]	R/W	0h	GPIO1 Data Read or write the GPIO1 data on AIN1. 0: GPIO1 is low (default) 1: GPIO1 is high
0	GPIO_DAT[0]	R/W	0h	GPIO0 Data Read or write the GPIO1 data on AIN0. 0: GPIO0 is low (default) 1: GPIO0 is high

8.6.7 Reference Configuration (REF) Register (address = 06h) [reset = 05h]
Figure 72. REF Register

7	6	5	4	3	2	1	0
0	0	0	0	RMUXP[1:0]		RMUXN[1:0]	
R/W-0h	R/W-0h	R/W-0h	R/W-0h	R/W-1h		R/W-1h	

LEGEND: R/W = Read/Write; R = Read only; -n = value after reset

Table 34. REF Register Field Descriptions

Bit	Field	Type	Reset	Description
7:4	0	R/W	0h	Reserved Always write 0h
3:2	RMUXP[1:0]	R/W	1h	Reference Positive Input Select the positive reference input. 00: Reserved 01: AVDD (default) 10: REFPO 11: AIN0 (REFP1)
1:0	RMUXN[1:0]	R/W	1h	Reference Negative Input Select the negative reference input. 00: Reserved 01: AVSS (default) 10: REFNO 11: AIN1 (REFN1)

8.6.8 Offset Calibration (OFCALx) Registers (address = 07h, 08h, 09h) [reset = 00h, 00h, 00h]
Figure 73. OFCAL0, OFCAL1, OFCAL2 Registers

7	6	5	4	3	2	1	0
OFC[7:0]							
R/W-00h							
15	14	13	12	11	10	9	8
OFC[15:8]							
R/W-00h							
23	22	21	20	19	18	17	16
OFC[23:16]							
R/W-00h							

LEGEND: R/W = Read/Write; R = Read only; -n = value after reset

Table 35. OFCAL0, OFCAL1, OFCAL2 Registers Field Description

Bit	Field	Type	Reset	Description
23:0	OFC[23:0]	R/W	000000h	Offset Calibration These three registers are the 24-bit offset calibration word. The offset calibration is two's complement format. The ADC subtracts the offset value from the conversion result before the full-scale operation.

8.6.9 Full-Scale Calibration (FSCALx) Registers (address = 0Ah, 0Bh, 0Ch) [reset = 00h, 00h, 40h]
Figure 74. FSCAL0, FSCAL1, FSCAL2 Registers

7	6	5	4	3	2	1	0
FSC[7:0]							
R/W-00h							
15	14	13	12	11	10	9	8
FSC[15:8]							
R/W-00h							
23	22	21	20	19	18	17	16
FSC[23:16]							
R/W-40h							

LEGEND: R/W = Read/Write; R = Read only; -n = value after reset

Table 36. FSCAL0, FSCAL1, FSCAL2 Registers Field Description

Bit	Field	Type	Reset	Description
23:0	FSC[23:0]	R/W	400000h	Full-Scale Calibration These three registers are the 24-bit full scale calibration word. The full-scale calibration is straight binary format. The ADC divides the register value by 400000h then multiplies the result with the conversion data. The scaling operation occurs after the offset operation.

8.6.10 Reserved (RESERVED) Register (address = 0Dh) [reset = FFh]
Figure 75. RESERVED Register

7	6	5	4	3	2	1	0
1	1	1	1	1	1	1	1
R-0h	R-0h	R-0h	R-0h	R-0h	R-0h	R-0h	R-0h

LEGEND: R/W = Read/Write; R = Read only; -n = value after reset

Table 37. RESERVED Register Field Descriptions

Bit	Field	Type	Reset	Description
7:0	0	R	FFh	Reserved These bits are read only and always return 0

8.6.11 Reserved (RESERVED) Register (address = 0Eh) [reset = 00h]
Figure 76. RESERVED Register

7	6	5	4	3	2	1	0
0	0	0	0	0	0	0	0
R-0h	R-0h	R-0h	R-0h	R-0h	R-0h	R-0h	R-0h

LEGEND: R/W = Read/Write; R = Read only; -n = value after reset

Table 38. RESERVED Register Field Descriptions

Bit	Field	Type	Reset	Description
7:0	0	R	0h	Reserved These bits are read only and always return 0

8.6.12 Reserved (RESERVED) Register (address = 0Fh) [reset = 00h]
Figure 77. RESERVED Register

7	6	5	4	3	2	1	0
0	0	0	0	0	0	0	0
R-0h	R-0h	R-0h	R-0h	R-0h	R-0h	R-0h	R-0h

LEGEND: R/W = Read/Write; R = Read only; -n = value after reset

Table 39. RESERVED Register Field Descriptions

Bit	Field	Type	Reset	Description
7:0	0	R	0h	Reserved These bits are read only and always return 0

8.6.13 PGA Configuration (PGA) Register (address = 10h) [reset = 00h]
Figure 78. PGA Register

7	6	5	4	3	2	1	0
BYPASS	0	0	0	0	GAIN[2:0]		
R/W-0h	R/W-0h	R/W-0h	R/W-0h	R/W-0h	R/W-0h		

LEGEND: R/W = Read/Write; R = Read only; -n = value after reset

Table 40. PGA Register Field Descriptions

Bit	Field	Type	Reset	Description
7	BYPASS	R/W	0h	PGA Bypass Mode Select the PGA mode. 0: PGA mode (default) 1: PGA bypass
6:3	0	R/W	0h	Reserved Always write 0
2:0	GAIN[2:0]	R/W	0h	Gain Select the gain. 000: 1 (default) 001 - 101: Reserved 110: 64 111: 128

8.6.14 Input Multiplexer (INPMUX) Register (address = 11h) [reset = FFh]
Figure 79. INPMUX Register

7	6	5	4	3	2	1	0
MUXP[3:0]				MUXN[3:0]			
R/W-Fh				R/W-Fh			

LEGEND: R/W = Read/Write; R = Read only; -n = value after reset

Table 41. INPMUX Register Field Descriptions

Bit	Field	Type	Reset	Description
7:4	MUXP[3:0]	R/W	Fh	Positive Input Multiplexer Select the positive multiplexer input. 0000 - 0010: Reserved 0011: AIN0 0100: AIN1 0101: AIN2 0110: AIN3 0111: AIN4 1000: AIN5 1001, 1010: Reserved 1011: Internal temperature sensor positive 1100, 1101: Reserved 1110: PGA P input open 1111: Internal connection to V_{COM} (default)
3:0	MUXN[3:0]	R/W	Fh	Negative Input Multiplexer Select the negative multiplexer input. 0000 - 0010: Reserved 0011: AIN0 0100: AIN1 0101: AIN2 0110: AIN3 0111: AIN4 1000: AIN5 1001, 1010: Reserved 1011: Internal temperature sensor negative 1100, 1101: Reserved 1110: PGA N Input open 1111: Internal connection to V_{COM} (default)

9 Application and Implementation

NOTE

Information in the following applications sections is not part of the TI component specification, and TI does not warrant its accuracy or completeness. TI's customers are responsible for determining suitability of components for their purposes. Customers should validate and test their design implementation to confirm system functionality.

9.1 Application Information

9.1.1 Input Range

The input voltage must be maintained within the specified input range for linear ADC operation otherwise the conversion data is invalid. Use [Equation 3](#) to verify the input voltage of the PGA is within specification. The input requirement can also be verified by measuring the PGA output voltages (pins CAPP and CAPN) with a voltmeter under the conditions of maximum expected input signal, ADC gain, and worst case (low) power-supply voltage. Check that voltages measured on the pins are within the range: $AVSS + 0.3\text{ V} < V_{(CAPP)}$ and $V_{(CAPN)} < AVDD - 0.3\text{ V}$.

9.1.2 Input Overload

Observe the input overvoltage precautions as outlined in the [ESD Diodes](#) section. If an overvoltage condition occurs on an unused channel, the overvoltage channel may crosstalk to the measurement channel. One solution is to externally clamp the inputs with low-forward voltage diodes as shown in [Figure 80](#). The external diodes divert the overvoltage current around the ADC inputs to the power supply and ground. Be aware of the reverse leakage current of the Schottky diodes that may lead to measurement errors.

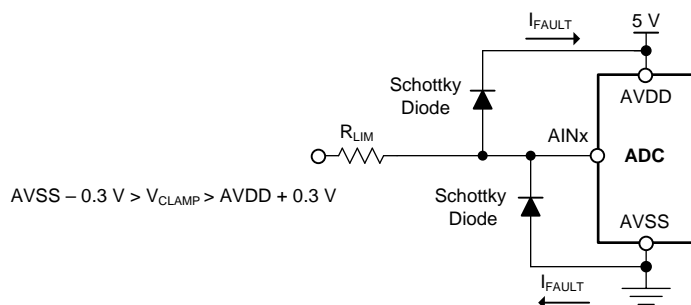


Figure 80. External Diode Clamps

Application Information (continued)

9.1.3 Unused Inputs and Outputs

- Analog Inputs

To minimize input leakage of the measurement channel, tie unused inputs to mid-supply voltage ($AVDD + AVSS$) / 2 or to $AVDD$.

- Digital I/O

Not all the digital I/Os may be needed to operate the ADC. Be sure not to float both used and unused digital inputs, including during power-down mode. The following is a summary of the optional digital I/Os connection:

- \overline{CS} : Tie \overline{CS} low to permanently enable the serial interface.
- CLKIN: Tie CLKIN to DGND to permanently operate the ADC with the internal oscillator.
- START: Tie START to DGND to control conversions by command. Tie START to DVDD to permanently free-run conversions (Continuous-conversion mode only)
- \overline{RESET} : Tie \overline{RESET} to DVDD if not using hardware reset. The ADC is reset at power-on. The ADC is also reset by the RESET command.
- \overline{PWDN} : Tie \overline{PWDN} to DVDD if not using the hardware power-down mode. The ADC can be powered down by software.
- \overline{DRDY} : The functionality of the \overline{DRDY} output is also provided by the dual-mode DOUT/ \overline{DRDY} pin. The DOUT/ \overline{DRDY} output is active when \overline{CS} is low. Data ready is also determined by software polling. Because the conversion data are buffered, data can be read at any time without the need to synchronize to data ready.

9.1.4 Multiplexed 2-Bridge Input Example

Figure 81 shows an example of a multiplexed, two-bridge system. The figure is a simplified diagram and excludes input filter components. The bridges are connected with independent excitation sense lines leading from each bridge to the ADC for accurate reference voltage tracking. Adjust the time delay parameter of the ADC as necessary to provide delay for settling time that is required after changing the ADC input multiplexer for each bridge measurement.

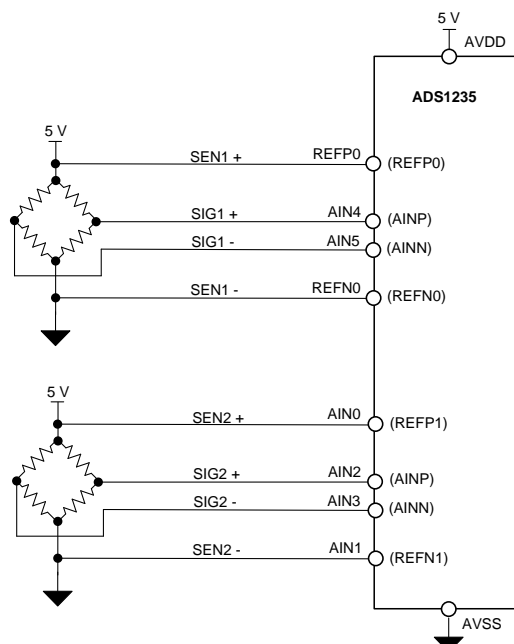


Figure 81. Multiplexed 2-Bridge Application

Application Information (continued)

9.1.5 AC-Bridge Excitation Example

Figure 82 shows an ac-excited bridge measurement system in the 4-wire, GPIO-control mode. Signal and reference-input filter components are omitted for clarity. The transistors switch the polarity of the excitation voltage provided to the bridge by the drive signals from the ADC GPIO drivers via the spare analog input pins. The timing of the drive signals are synchronized to the ADC conversions. The drive signals are non-overlapping in order to avoid commutation errors that can occur during the switching phase. The resistors located at the gates of each transistor maintain the transistors off at power-on, while the ADC drive signals are initialized by the host after system power up. See Figure 7 for timing of the drive signals.

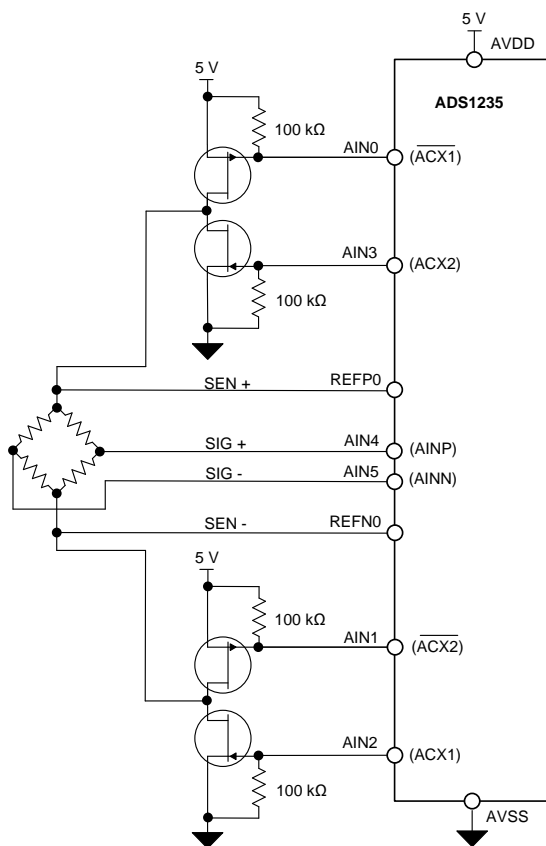


Figure 82. AC-Bridge Excitation Application

The recommended configuration sequence for ac-bridge excitation mode follows:

1. Stop conversions by taking the START pin low, or by control of conversions in software mode; send the STOP command
2. Program the signal and reference input multiplexers, gain, data rate, filter mode and other configurations as needed
3. Program the 2-wire or 4-wire ac-bridge excitation mode. 2-wire mode requires complementary output switching devices
4. Program the GPIO internal connection to the analog input pins
5. Program the GPIO as outputs to enable drive signals at the analog input pins. The bridge output drive signals appear on the GPIO pins.

Start the conversions. Adjust the time delay parameter as necessary to provide sufficient bridge switch delay. The delay is based on the time constant of the input and reference filters.

Application Information (continued)

9.1.6 Serial Interface and Digital Connections

Figure 83 shows an example of the digital connections between the host μC and ADC. Not all I/O connections are necessary for basic ADC operation; see the [Unused Inputs and Outputs](#) section. Impedance-matching resistors in series with the I/O PCB traces help reduce overshoot and ringing, and are particularly helpful over long trace runs.

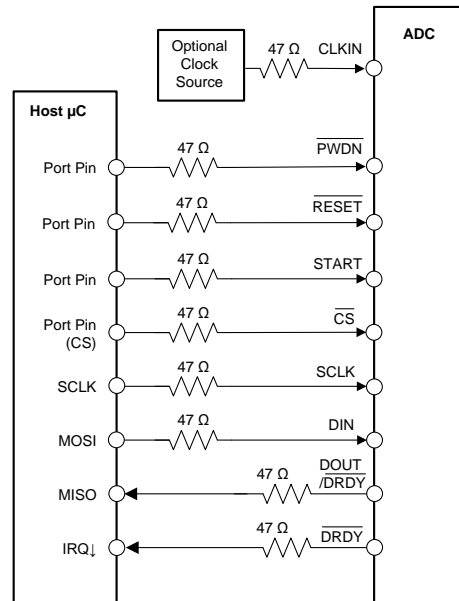


Figure 83. Serial Interface and Digital I/O Connections

9.2 Typical Application

Figure 84 shows an application of the ADS1235 with a bridge circuit. The excitation voltage provided to the bridge is the ADC power supply voltage (5 V). Due to the low input-referred noise of the ADS1235, in many applications there is no need for an additional gain amplifier. The excitation voltage sense lines are connected to the reference inputs of the ADC with a noise filter. This configuration provides ratiometric operation that cancels noise and drift of the excitation voltage.

The input signal and reference voltage paths are filtered with equal-value components to remove high frequency noise from affecting the measurement.

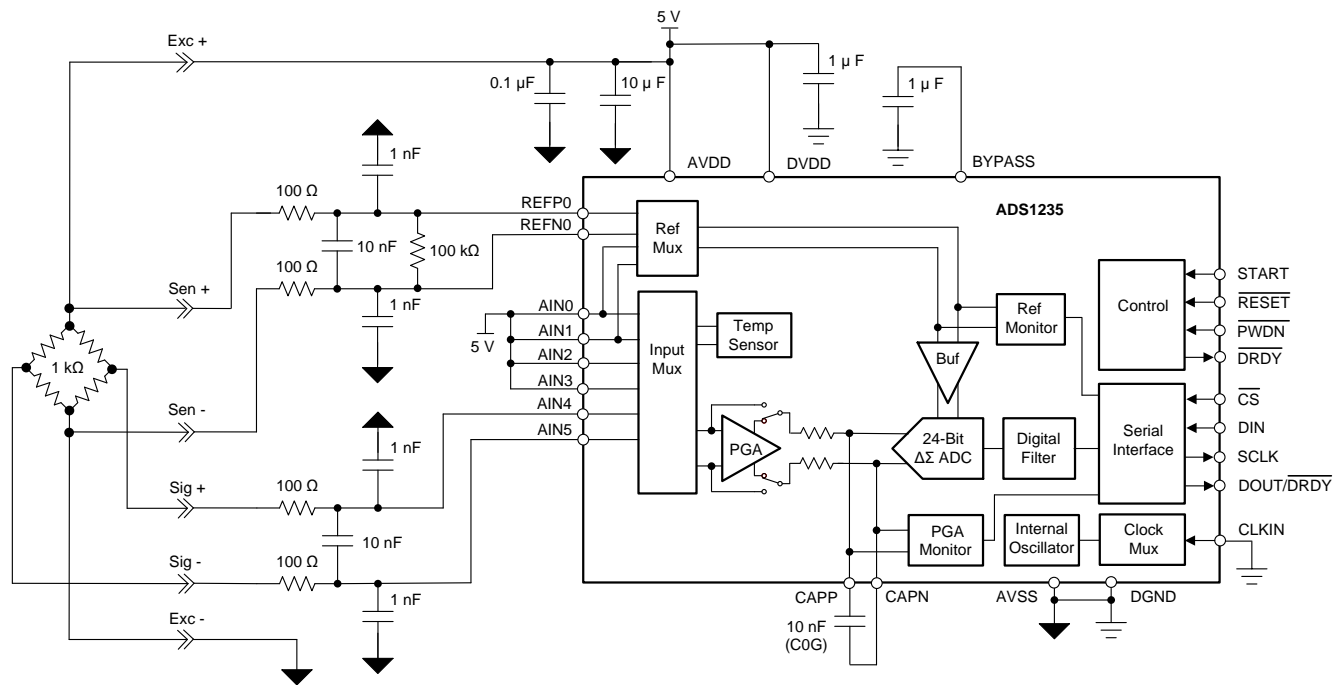


Figure 84. Bridge Input Application

9.2.1 Design Requirements

The ADC can be configured to provide tradeoffs between conversion noise, sample rate and conversion settling time. Table 42 summarizes the design performance goals. Table 43 summarizes the design parameters.

1 kΩ fixed-value precision resistors simulate the bridge circuit. One of the four resistor values is unbalanced (1.008 kΩ) in order to generate a 10 mV output signal to simulate a full scale output with 2 mV/V bridge gauge factor when used with 5 V excitation.

Table 42. Design Goals

DESIGN GOAL	VALUE
Noise free resolution (counts)	> 100,000 counts
Sample rate	10 SPS
Settling time	200 ms

Table 43. Design Parameters

DESIGN PARAMETER	DESIGN VALUE
Bridge resistance	1 kΩ
Bridge excitation voltage	5 V
Bridge gauge factor	2 mV/V
Bridge full scale signal	10 mV

9.2.2 Detailed Design Procedure

A key consideration in the design of a bridge transducer for weigh applications is noise-free resolution. Noise-free resolution is defined by the ratio of full scale signal to the conversion noise of the ADC. Other considerations are data throughput rate and input signal settling time.

Table 1 shows the ADC conversion noise expressed as an input-referred quantity. The table shows various tradeoffs among gain, sample rate and sinc filter in order to optimize noise for a given design. For this example, the configuration of the ADC that yields the lowest noise while achieving the sample rate and settling time requirement is gain = 128, 10 SPS, filter order = sinc 1 and by using the chop mode. Use of the chop mode has the additional advantage of eliminating offset drift from the ADC.

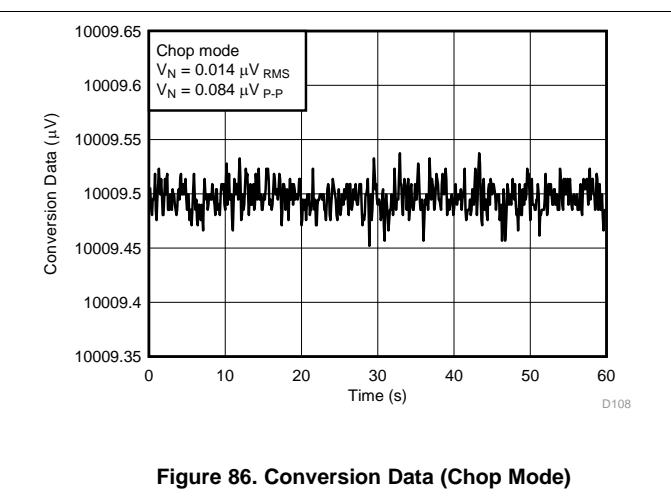
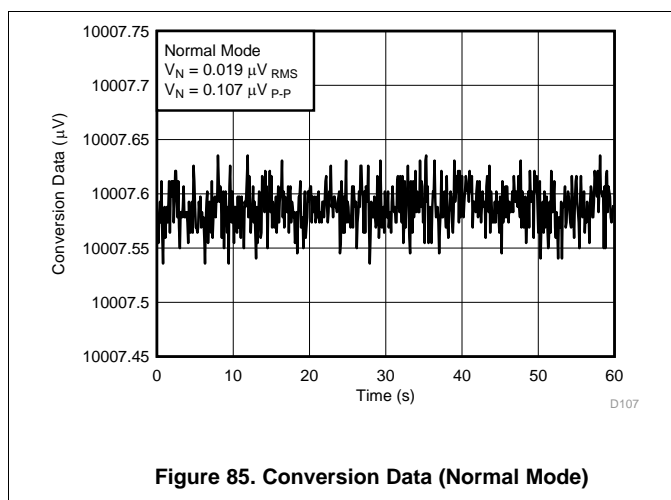
Configuring the ADC for 10 SPS, the sinc4 filter order and disabling chop mode yields approximately the same noise performance compared to the target configuration (shown above) but do not satisfy the settling time requirement of 200 ms. The sinc4 filter order settles in four conversion periods, or 400 ms.

Noise-free counts are improved by increasing the signal output from the bridge. Increasing the signal output is possible by the use of a bridge with a higher gauge-factor, or by increasing the excitation voltage. Operation with an excitation voltage above 5 V requires voltage division of the bridge sense voltage before it is input to the ADC reference pins.

External filter components filter the signal and reference inputs of the ADC. The filters remove both differential and common-mode high-frequency noise. Component value mismatch in the common-mode filter converts common-mode noise into differential noise. To minimize the effect of the mismatch, the differential filter capacitor values (10 nF) are 10x higher value than the common-mode capacitors (1 nF). Increase the capacitor values to provides additional noise filtering. Maintain the resistors at low values to minimize thermal noise. For consistent noise performance, match the corner frequencies of the input and reference filters. More information is found in the [RTD Ratiometric Measurements and Filtering Using the ADS1148 and ADS1248 Family of Devices Application Report](#).

9.2.3 Application Curves

Figure 85 and Figure 86 show the conversion data that was acquired over a 60 second interval. 60 seconds of data provides evaluation of noise performance under actual conditions. The acquired conversion data is taken with a full-scale signal (10 mV) to show the noise cancelling effects of the ADC provided by ratiometric operation. Figure 85 and Figure 86 show conversion data in normal mode and in chop mode operation, respectively. In normal mode, the approximate noise free resolution is 100,000 counts. In chop mode, approximate noise free resolution is 120,000 counts. Chop mode provides the additional advantage of zero offset drift, but requires an additional conversion period for fully settled data after an input step change occurs (200 ms total).



9.3 Initialization Setup

Figure 87 shows a general configuration and measurement procedure.

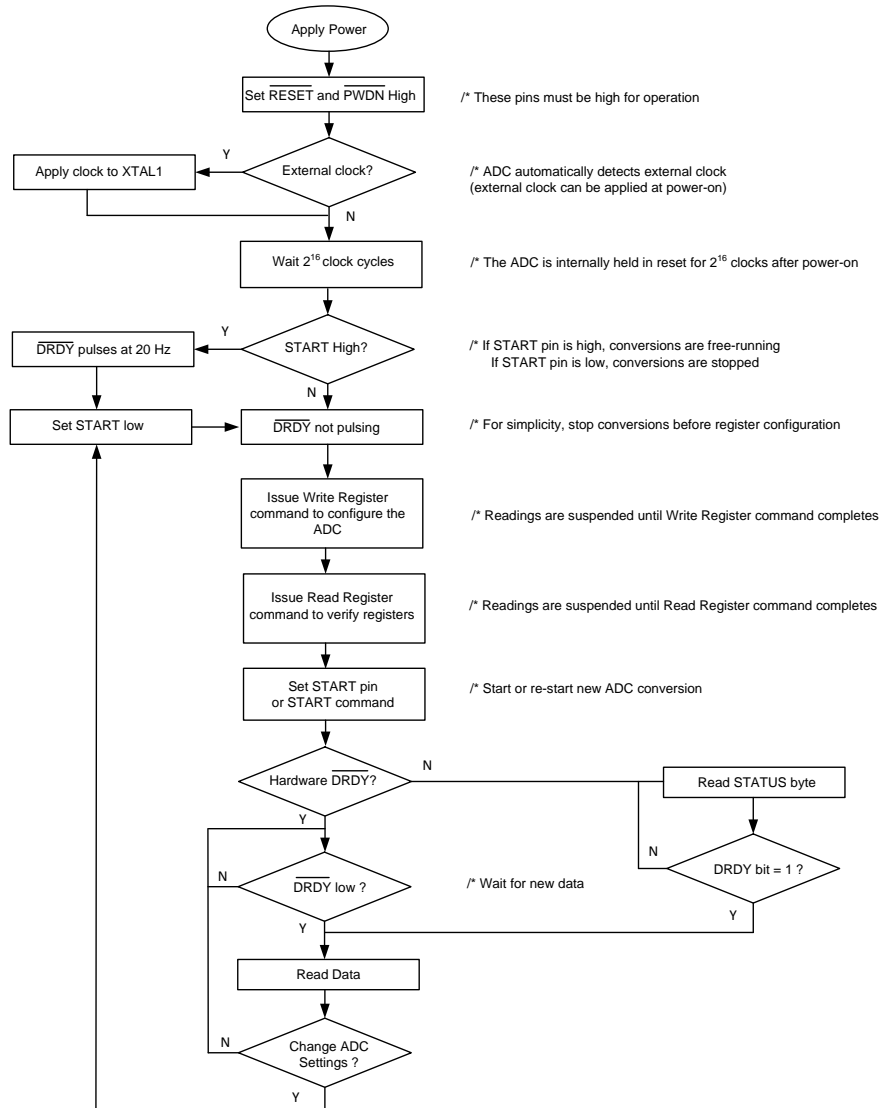


Figure 87. ADC Configuration and Measurement Procedure

10 Power Supply Recommendations

The ADC requires an analog power supply (AVDD, AVSS) and digital power supply (DVDD). The analog power supply can be bipolar (AVDD = +2.5 V and AVSS = -2.5 V) or unipolar (AVDD = 5 V and AVSS = DGND). The digital supply range is 2.7 V to 5.25 V. DVDD powers the ADC core by use of an internal regulator. DVDD also sets the digital I/O voltage. Keep in mind that the GPIO I/O voltages are AVDD and AVSS. Voltage ripple produced by switch-mode power supplies may interfere with the ADC conversions. Use low-dropout regulators (LDOs) to reduce voltage ripple caused by switch-mode power supplies.

10.1 Power-Supply Decoupling

Good power-supply decoupling is important in order to achieve rated performance. Power supplies must be decoupled close to the power supply pins using short, direct connections to ground. For the analog supply, place 0.1- μ F and 10- μ F capacitors between AVDD and AVSS. Connect a 1- μ F capacitor from DVDD to the ground plane. Connect a 1- μ F capacitor from BYPASS to the ground plane.

10.2 Analog Power-Supply Clamp

It is important to evaluate circumstances when an input signal is present with the ADC, both powered and unpowered. When the input signal exceeds the power-supply voltage, it is possible to *backdrive* the analog power-supply voltage with the input signal through a conduction path of the internal ESD diodes. Backdriving the ADC power supply can also occur when the power supply is on. The backdriven current path is illustrated in [Figure 88](#). Depending on how the power supply responds during a backdriven condition, it is possible to exceed the maximum rated ADC supply voltage. The ADC voltage must not be exceeded at all times. One solution is to clamp the analog supply to safe voltage using an external zener diode.

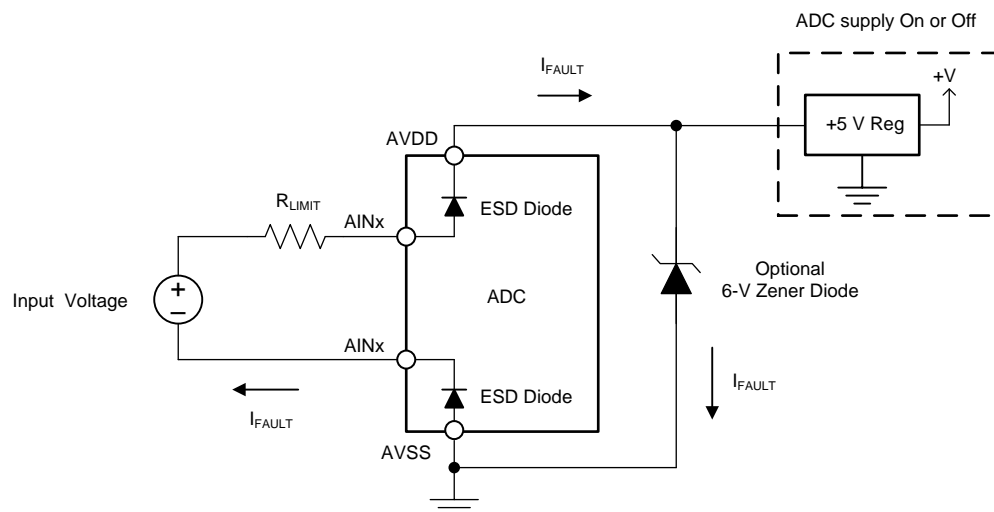


Figure 88. Analog Power-Supply Clamp

10.3 Power-Supply Sequencing

The power supplies can be sequenced in any order, but do not allow the analog or digital inputs to exceed the respective analog or digital power-supply voltage without external limits of the possible input fault currents.

11 Layout

Good layout practices are crucial to realize the full-performance of the ADC. Poor grounding can quickly degrade the noise performance. The following layout guidelines help provide the best results.

11.1 Layout Guidelines

For best performance, dedicate an entire PCB layer to a ground plane and do not route any other signal traces on this layer. However, depending on restrictions imposed by specific end equipment, a dedicated ground plane may not be practical. If ground plane separation is necessary, make a direct connection of the planes at the ADC. Do not connect individual ground planes at multiple locations because this configuration creates ground loops.

Route digital traces away from the CAPP and CAPN pins and away from all analog inputs and associated components in order to minimize interference.

Avoid long traces on DOUT/DRDY, because high capacitance on this pin can lead to increased ADC noise levels. Use a series resistor or a buffer if long traces are used.

C0G capacitors are preferred for the analog input filters. Evaluate other types of capacitors carefully for input filtering use. Use a C0G-type capacitor for the CAPP to CAPN capacitor. Use X7R-type capacitors for the power supply decoupling capacitors. High-K type capacitors (Y5V) are not recommended. Place the capacitors as close as possible to the device pins using short, direct traces. For optimum performance, use low-impedance connections on the ground-side connections of the bypass capacitors.

When applying an external clock, be sure the clock is free of overshoot and glitches. A source-termination resistor placed at the clock buffer helps control reflections and overshoot. Glitches present on the clock signal can lead to increased noise and possible mis-operation.

11.2 Layout Example

Figure 89 is an example layout of the ADS1235, requiring a minimum of three PCB layers. The example circuit is shown with single supply operation ($AVSS = DGND$). In this example, the inner layer is dedicated to the ground plane and the outer layers are used for signal and power traces. If a four-layer PCB is used, dedicate the additional inner layer as the power plane. In this example, the ADC is oriented in such a way to minimize crossover of the analog and digital signal traces.

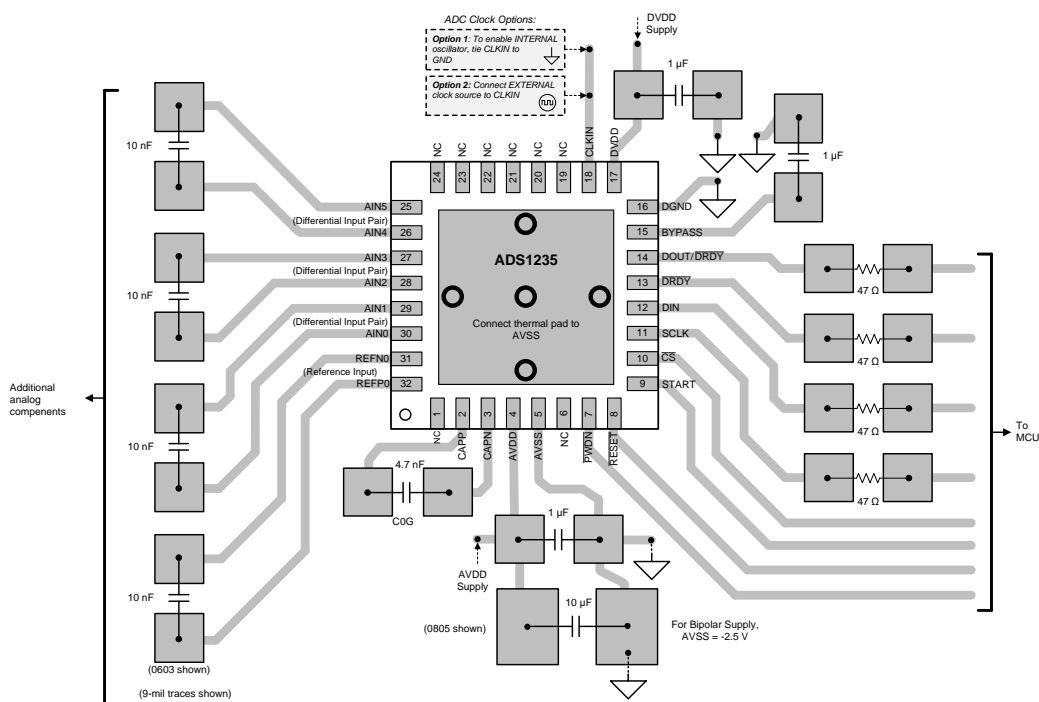


Figure 89. ADS1235 Layout Example

12 Device and Documentation Support

12.1 Documentation Support

12.1.1 Related Documentation

For related documentation see the following:

[ADS1235 Evaluation Module User's Guide](#)

12.2 Receiving Notification of Documentation Updates

To receive notification of documentation updates, navigate to the device product folder on ti.com. In the upper right corner, click on *Alert me* to register and receive a weekly digest of any product information that has changed. For change details, review the revision history included in any revised document.

12.3 Community Resources

The following links connect to TI community resources. Linked contents are provided "AS IS" by the respective contributors. They do not constitute TI specifications and do not necessarily reflect TI's views; see TI's [Terms of Use](#).

TI E2E™ Online Community *TI's Engineer-to-Engineer (E2E) Community*. Created to foster collaboration among engineers. At e2e.ti.com, you can ask questions, share knowledge, explore ideas and help solve problems with fellow engineers.

Design Support *TI's Design Support* Quickly find helpful E2E forums along with design support tools and contact information for technical support.

12.4 Trademarks

E2E is a trademark of Texas Instruments.
All other trademarks are the property of their respective owners.

12.5 Electrostatic Discharge Caution



This integrated circuit can be damaged by ESD. Texas Instruments recommends that all integrated circuits be handled with appropriate precautions. Failure to observe proper handling and installation procedures can cause damage.

ESD damage can range from subtle performance degradation to complete device failure. Precision integrated circuits may be more susceptible to damage because very small parametric changes could cause the device not to meet its published specifications.

12.6 Glossary

[SLYZ022](#) — *TI Glossary*.

This glossary lists and explains terms, acronyms, and definitions.

13 Mechanical, Packaging, and Orderable Information

The following pages include mechanical packaging and orderable information. This information is the most current data available for the designated devices. This data is subject to change without notice and revision of this document. For browser-based versions of this data sheet, refer to the left-hand navigation.

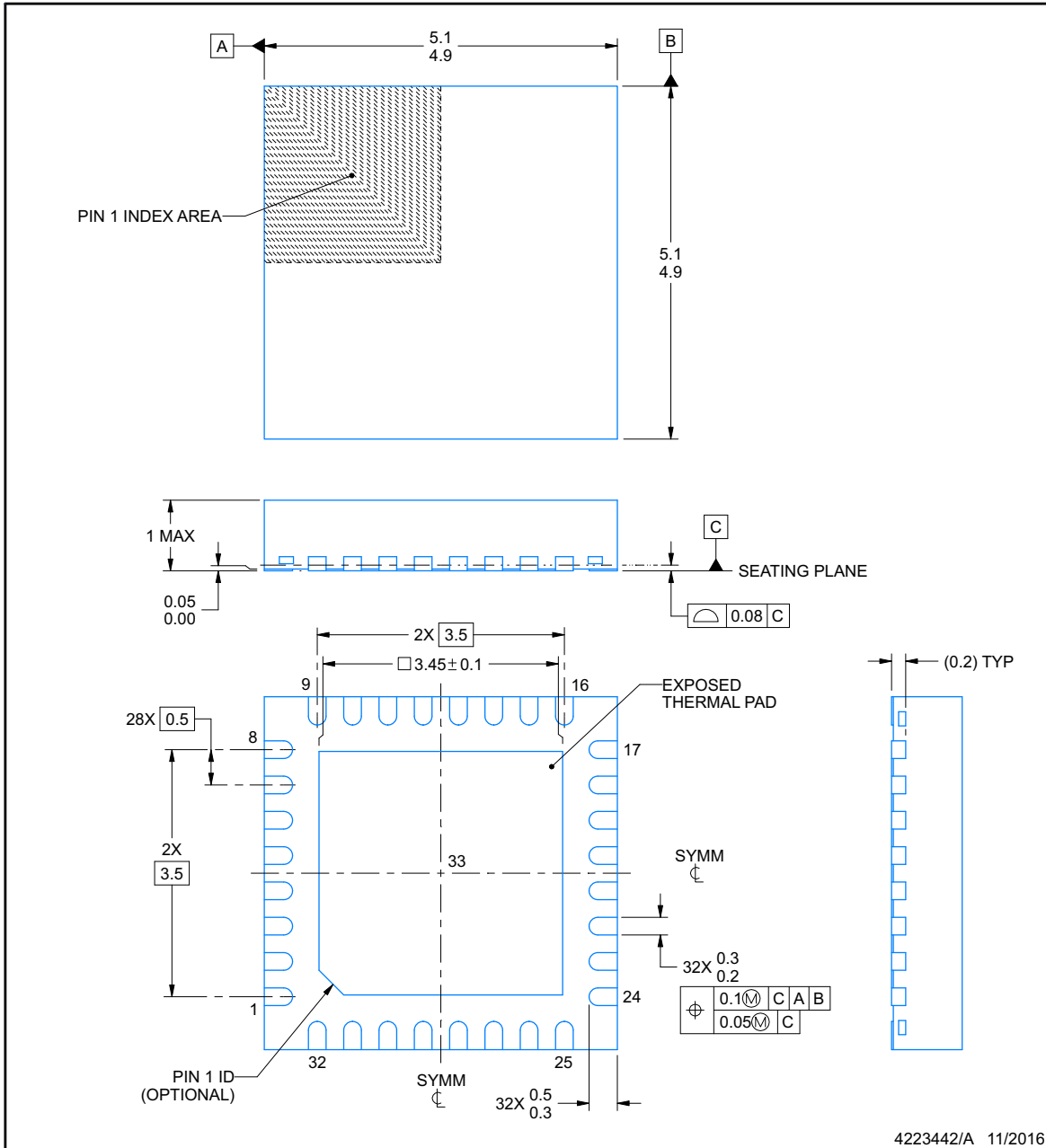


RHB0032E

PACKAGE OUTLINE

VQFN - 1 mm max height

PLASTIC QUAD FLATPACK - NO LEAD



NOTES:

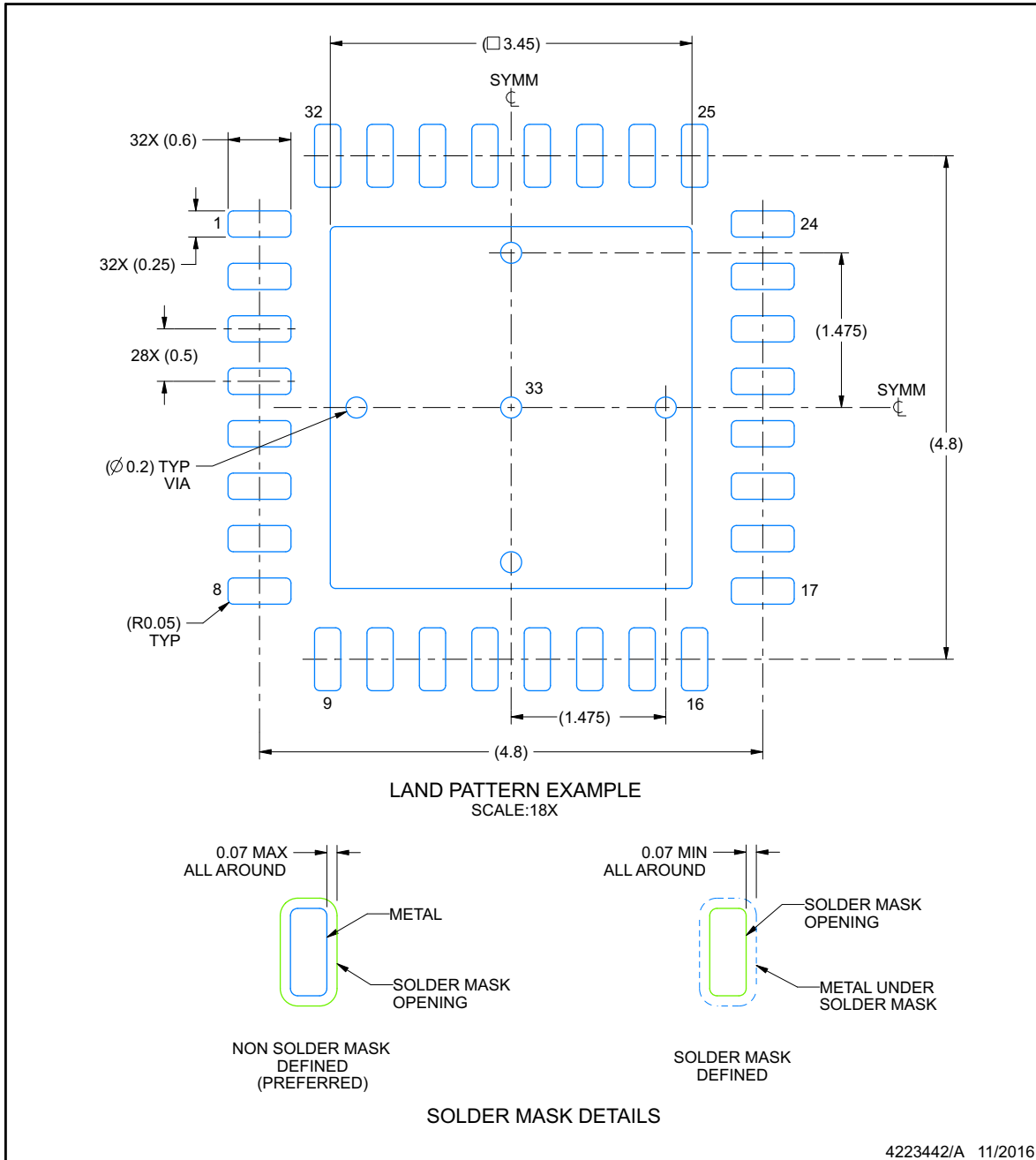
1. All linear dimensions are in millimeters. Any dimensions in parenthesis are for reference only. Dimensioning and tolerancing per ASME Y14.5M.
2. This drawing is subject to change without notice.
3. The package thermal pad must be soldered to the printed circuit board for thermal and mechanical performance.

EXAMPLE BOARD LAYOUT

RHB0032E

VQFN - 1 mm max height

PLASTIC QUAD FLATPACK - NO LEAD



NOTES: (continued)

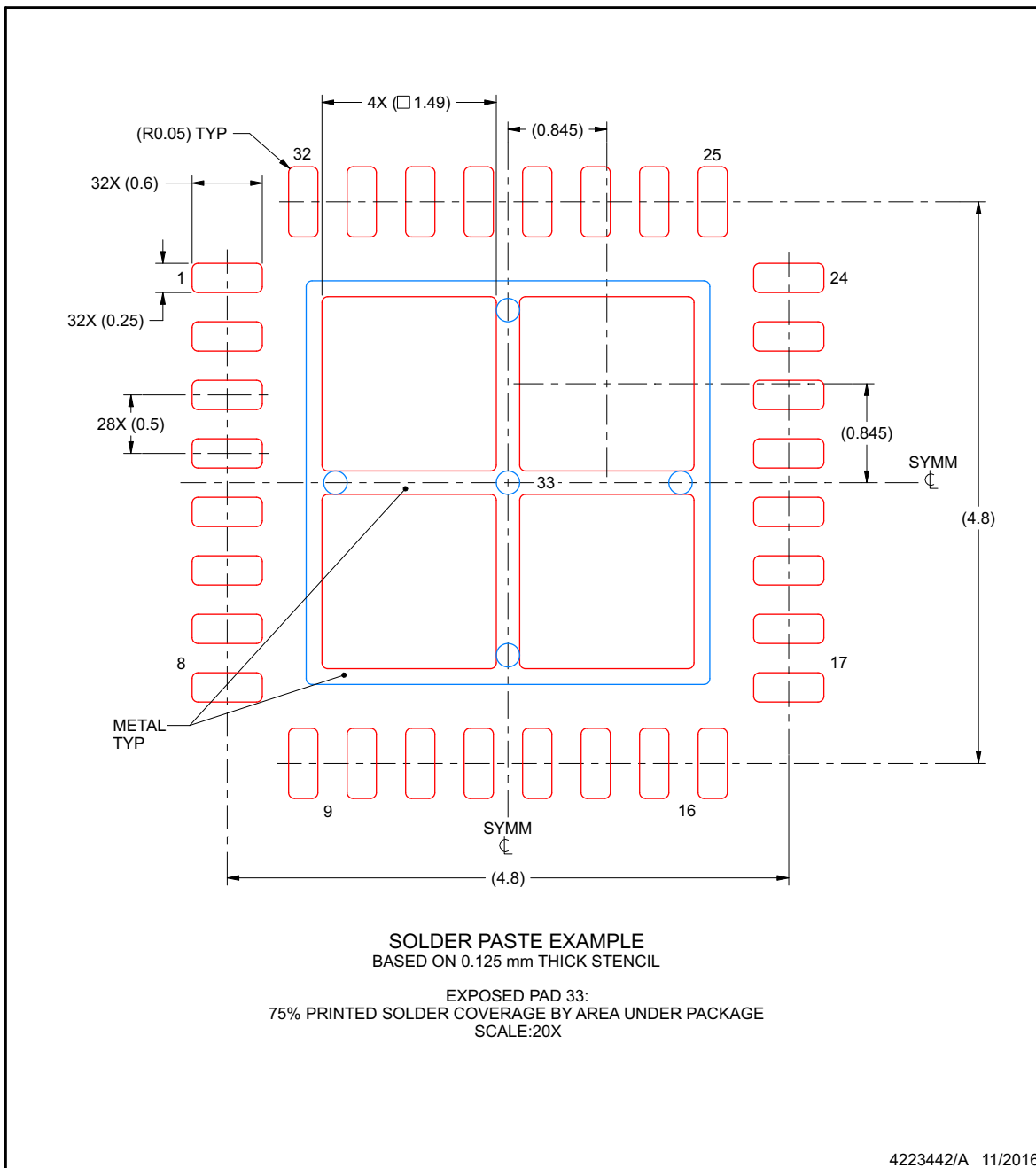
- This package is designed to be soldered to a thermal pad on the board. For more information, see Texas Instruments literature number SLUA271 (www.ti.com/lit/slua271).
- Vias are optional depending on application, refer to device data sheet. If any vias are implemented, refer to their locations shown on this view. It is recommended that vias under paste be filled, plugged or tented.

EXAMPLE STENCIL DESIGN

RHB0032E

VQFN - 1 mm max height

PLASTIC QUAD FLATPACK - NO LEAD



NOTES: (continued)

- 6. Laser cutting apertures with trapezoidal walls and rounded corners may offer better paste release. IPC-7525 may have alternate design recommendations.

PACKAGING INFORMATION

Orderable part number	Status (1)	Material type (2)	Package Pins	Package qty Carrier	RoHS (3)	Lead finish/ Ball material (4)	MSL rating/ Peak reflow (5)	Op temp (°C)	Part marking (6)
ADS1235IRHBR	Active	Production	VQFN (RHB) 32	3000 LARGE T&R	Yes	NIPDAU	Level-3-260C-168 HR	-40 to 125	ADS 1235
ADS1235IRHBR.B	Active	Production	VQFN (RHB) 32	3000 LARGE T&R	Yes	NIPDAU	Level-3-260C-168 HR	-40 to 125	ADS 1235
ADS1235IRHBT	Active	Production	VQFN (RHB) 32	250 SMALL T&R	Yes	NIPDAU	Level-3-260C-168 HR	-40 to 125	ADS 1235
ADS1235IRHBT.B	Active	Production	VQFN (RHB) 32	250 SMALL T&R	Yes	NIPDAU	Level-3-260C-168 HR	-40 to 125	ADS 1235

(1) **Status:** For more details on status, see our [product life cycle](#).

(2) **Material type:** When designated, preproduction parts are prototypes/experimental devices, and are not yet approved or released for full production. Testing and final process, including without limitation quality assurance, reliability performance testing, and/or process qualification, may not yet be complete, and this item is subject to further changes or possible discontinuation. If available for ordering, purchases will be subject to an additional waiver at checkout, and are intended for early internal evaluation purposes only. These items are sold without warranties of any kind.

(3) **RoHS values:** Yes, No, RoHS Exempt. See the [TI RoHS Statement](#) for additional information and value definition.

(4) **Lead finish/Ball material:** Parts may have multiple material finish options. Finish options are separated by a vertical ruled line. Lead finish/Ball material values may wrap to two lines if the finish value exceeds the maximum column width.

(5) **MSL rating/Peak reflow:** The moisture sensitivity level ratings and peak solder (reflow) temperatures. In the event that a part has multiple moisture sensitivity ratings, only the lowest level per JEDEC standards is shown. Refer to the shipping label for the actual reflow temperature that will be used to mount the part to the printed circuit board.

(6) **Part marking:** There may be an additional marking, which relates to the logo, the lot trace code information, or the environmental category of the part.

Multiple part markings will be inside parentheses. Only one part marking contained in parentheses and separated by a "-" will appear on a part. If a line is indented then it is a continuation of the previous line and the two combined represent the entire part marking for that device.

Important Information and Disclaimer: The information provided on this page represents TI's knowledge and belief as of the date that it is provided. TI bases its knowledge and belief on information provided by third parties, and makes no representation or warranty as to the accuracy of such information. Efforts are underway to better integrate information from third parties. TI has taken and continues to take reasonable steps to provide representative and accurate information but may not have conducted destructive testing or chemical analysis on incoming materials and chemicals. TI and TI suppliers consider certain information to be proprietary, and thus CAS numbers and other limited information may not be available for release.

In no event shall TI's liability arising out of such information exceed the total purchase price of the TI part(s) at issue in this document sold by TI to Customer on an annual basis.

OTHER QUALIFIED VERSIONS OF ADS1235 :

- Automotive : [ADS1235-Q1](#)

NOTE: Qualified Version Definitions:

- Automotive - Q100 devices qualified for high-reliability automotive applications targeting zero defects

TAPE AND REEL INFORMATION

QUADRANT ASSIGNMENTS FOR PIN 1 ORIENTATION IN TAPE


*All dimensions are nominal

Device	Package Type	Package Drawing	Pins	SPQ	Reel Diameter (mm)	Reel Width W1 (mm)	A0 (mm)	B0 (mm)	K0 (mm)	P1 (mm)	W (mm)	Pin1 Quadrant
ADS1235IRHBR	VQFN	RHB	32	3000	330.0	12.4	5.3	5.3	1.1	8.0	12.0	Q2
ADS1235IRHBT	VQFN	RHB	32	250	180.0	12.4	5.3	5.3	1.1	8.0	12.0	Q2

TAPE AND REEL BOX DIMENSIONS


*All dimensions are nominal

Device	Package Type	Package Drawing	Pins	SPQ	Length (mm)	Width (mm)	Height (mm)
ADS1235IRHBR	VQFN	RHB	32	3000	346.0	346.0	33.0
ADS1235IRHBT	VQFN	RHB	32	250	210.0	185.0	35.0

IMPORTANT NOTICE AND DISCLAIMER

TI PROVIDES TECHNICAL AND RELIABILITY DATA (INCLUDING DATASHEETS), DESIGN RESOURCES (INCLUDING REFERENCE DESIGNS), APPLICATION OR OTHER DESIGN ADVICE, WEB TOOLS, SAFETY INFORMATION, AND OTHER RESOURCES "AS IS" AND WITH ALL FAULTS, AND DISCLAIMS ALL WARRANTIES, EXPRESS AND IMPLIED, INCLUDING WITHOUT LIMITATION ANY IMPLIED WARRANTIES OF MERCHANTABILITY, FITNESS FOR A PARTICULAR PURPOSE OR NON-INFRINGEMENT OF THIRD PARTY INTELLECTUAL PROPERTY RIGHTS.

These resources are intended for skilled developers designing with TI products. You are solely responsible for (1) selecting the appropriate TI products for your application, (2) designing, validating and testing your application, and (3) ensuring your application meets applicable standards, and any other safety, security, regulatory or other requirements.

These resources are subject to change without notice. TI grants you permission to use these resources only for development of an application that uses the TI products described in the resource. Other reproduction and display of these resources is prohibited. No license is granted to any other TI intellectual property right or to any third party intellectual property right. TI disclaims responsibility for, and you fully indemnify TI and its representatives against any claims, damages, costs, losses, and liabilities arising out of your use of these resources.

TI's products are provided subject to [TI's Terms of Sale](#), [TI's General Quality Guidelines](#), or other applicable terms available either on ti.com or provided in conjunction with such TI products. TI's provision of these resources does not expand or otherwise alter TI's applicable warranties or warranty disclaimers for TI products. Unless TI explicitly designates a product as custom or customer-specified, TI products are standard, catalog, general purpose devices.

TI objects to and rejects any additional or different terms you may propose.

Copyright © 2025, Texas Instruments Incorporated

Last updated 10/2025