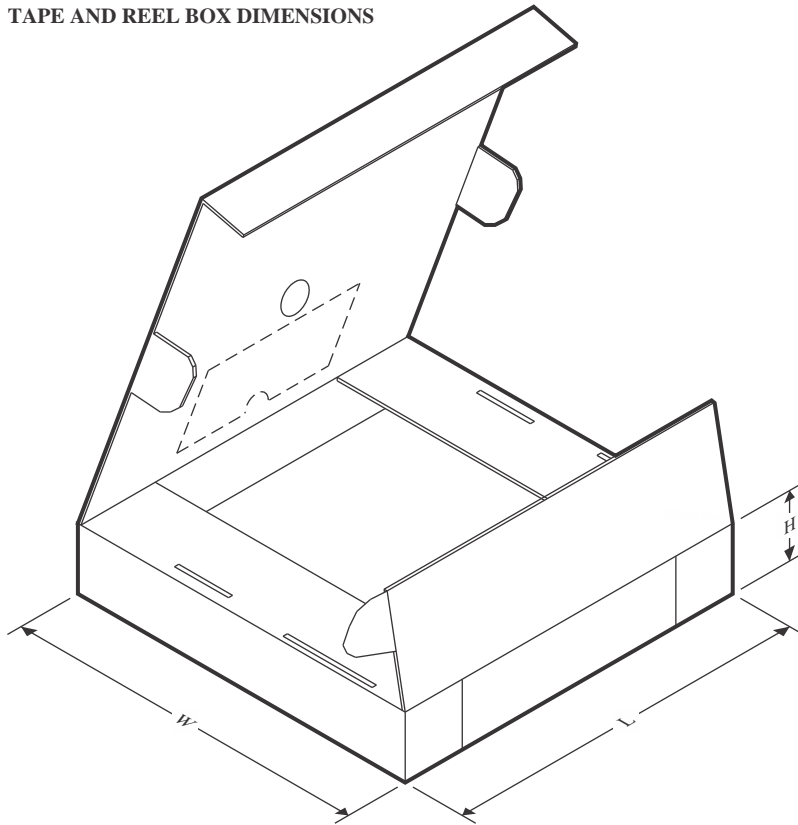


TAPE AND REEL INFORMATION

QUADRANT ASSIGNMENTS FOR PIN 1 ORIENTATION IN TAPE


*All dimensions are nominal

Device	Package Type	Package Drawing	Pins	SPQ	Reel Diameter (mm)	Reel Width W1 (mm)	A0 (mm)	B0 (mm)	K0 (mm)	P1 (mm)	W (mm)	Pin1 Quadrant
TXU0104BQAR	WQFN	BQA	14	3000	180.0	12.4	2.8	3.3	1.1	4.0	12.0	Q1
TXU0104DTRR	X2QFN	DTR	12	3000	180.0	9.5	0.93	1.49	0.43	2.0	8.0	Q1
TXU0104PWR	TSSOP	PW	14	2000	330.0	12.4	6.9	5.6	1.6	8.0	12.0	Q1
TXU0104RUTR	UQFN	RUT	12	3000	180.0	9.5	1.9	2.2	0.7	4.0	8.0	Q1

TAPE AND REEL BOX DIMENSIONS


*All dimensions are nominal

Device	Package Type	Package Drawing	Pins	SPQ	Length (mm)	Width (mm)	Height (mm)
TXU0104BQAR	WQFN	BQA	14	3000	210.0	185.0	35.0
TXU0104DTRR	X2QFN	DTR	12	3000	189.0	185.0	36.0
TXU0104PWR	TSSOP	PW	14	2000	356.0	356.0	35.0
TXU0104RUTR	UQFN	RUT	12	3000	189.0	185.0	36.0