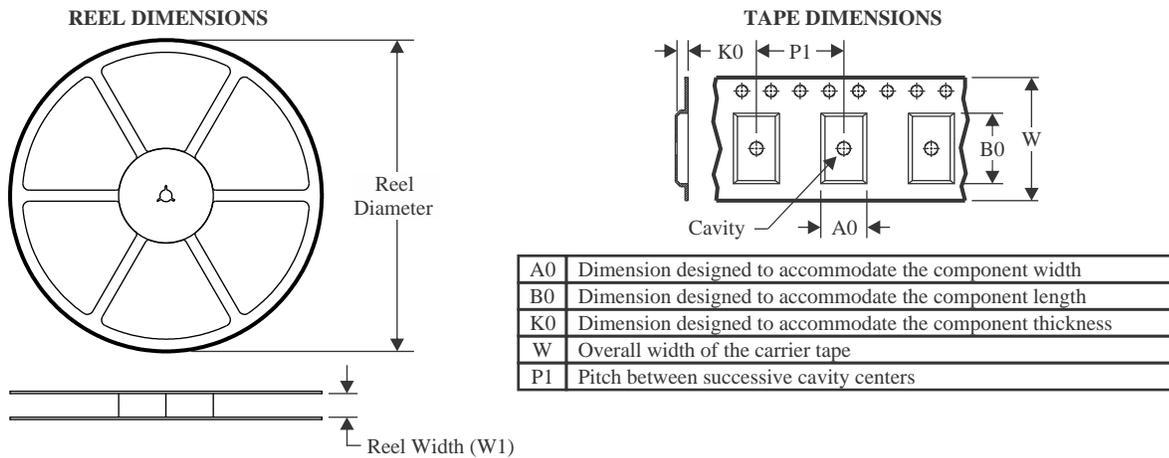
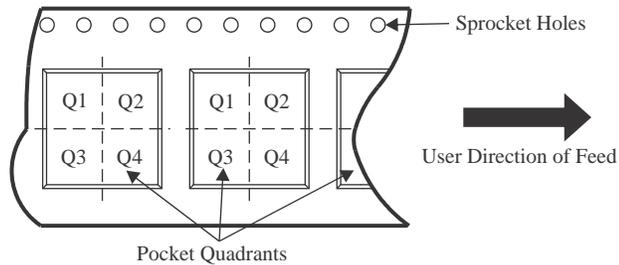


TAPE AND REEL INFORMATION

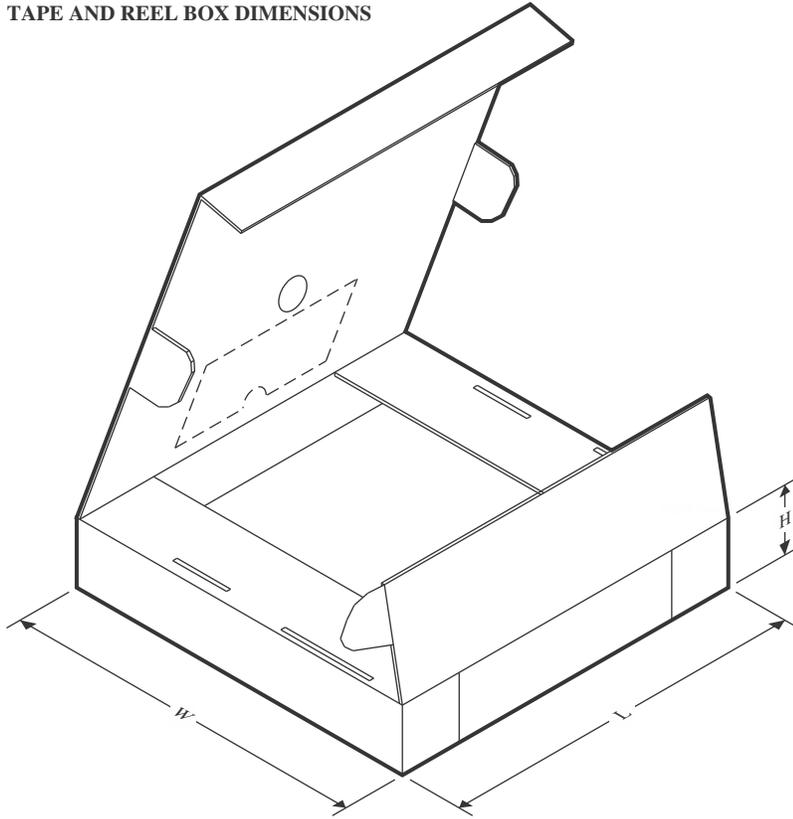


QUADRANT ASSIGNMENTS FOR PIN 1 ORIENTATION IN TAPE



*All dimensions are nominal

Device	Package Type	Package Drawing	Pins	SPQ	Reel Diameter (mm)	Reel Width W1 (mm)	A0 (mm)	B0 (mm)	K0 (mm)	P1 (mm)	W (mm)	Pin1 Quadrant
TPS628436YKAR	DSBGA	YKA	6	12000	180.0	8.4	0.9	1.16	0.47	2.0	8.0	Q1
TPS628437YKAR	DSBGA	YKA	6	12000	180.0	8.4	0.9	1.16	0.47	2.0	8.0	Q1
TPS628438YKAR	DSBGA	YKA	6	12000	180.0	8.4	0.9	1.16	0.47	2.0	8.0	Q1

TAPE AND REEL BOX DIMENSIONS


*All dimensions are nominal

Device	Package Type	Package Drawing	Pins	SPQ	Length (mm)	Width (mm)	Height (mm)
TPS628436YKAR	DSBGA	YKA	6	12000	182.0	182.0	20.0
TPS628437YKAR	DSBGA	YKA	6	12000	182.0	182.0	20.0
TPS628438YKAR	DSBGA	YKA	6	12000	182.0	182.0	20.0