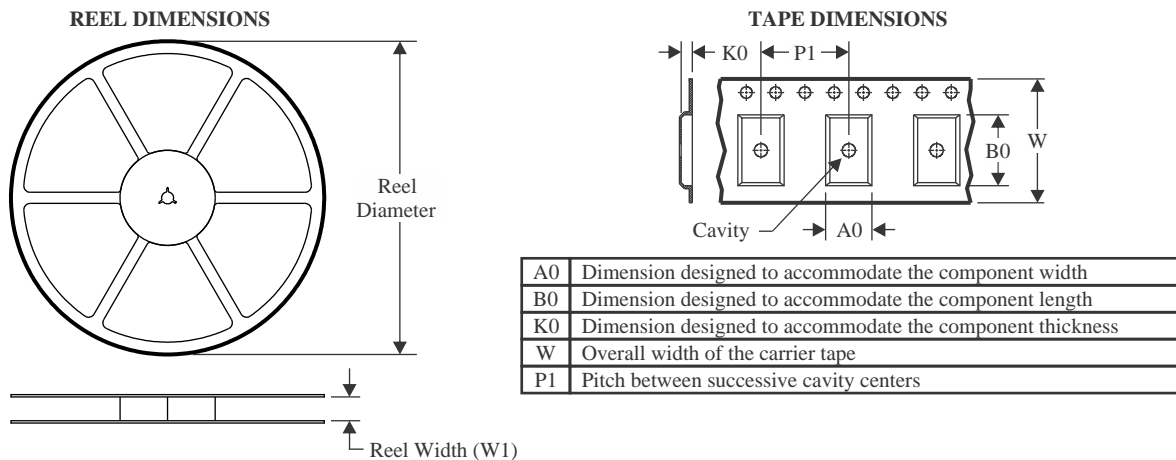


TAPE AND REEL INFORMATION

QUADRANT ASSIGNMENTS FOR PIN 1 ORIENTATION IN TAPE


*All dimensions are nominal

Device	Package Type	Package Drawing	Pins	SPQ	Reel Diameter (mm)	Reel Width W1 (mm)	A0 (mm)	B0 (mm)	K0 (mm)	P1 (mm)	W (mm)	Pin1 Quadrant
SN74LVC112ADBR	SSOP	DB	16	2000	330.0	16.4	8.35	6.6	2.4	12.0	16.0	Q1
SN74LVC112ADGVR	TVSOP	DGV	16	2000	330.0	12.4	6.8	4.0	1.6	8.0	12.0	Q1
SN74LVC112ADR	SOIC	D	16	2500	330.0	16.4	6.5	10.3	2.1	8.0	16.0	Q1
SN74LVC112ADR	SOIC	D	16	2500	330.0	16.4	6.5	10.3	2.1	8.0	16.0	Q1
SN74LVC112ANSR	SOP	NS	16	2000	330.0	16.4	8.1	10.4	2.5	12.0	16.0	Q1
SN74LVC112APWR	TSSOP	PW	16	2000	330.0	12.4	6.9	5.6	1.6	8.0	12.0	Q1
SN74LVC112APWRG4	TSSOP	PW	16	2000	330.0	12.4	6.9	5.6	1.6	8.0	12.0	Q1
SN74LVC112APWT	TSSOP	PW	16	250	330.0	12.4	6.9	5.6	1.6	8.0	12.0	Q1

TAPE AND REEL BOX DIMENSIONS


*All dimensions are nominal

Device	Package Type	Package Drawing	Pins	SPQ	Length (mm)	Width (mm)	Height (mm)
SN74LVC112ADBR	SSOP	DB	16	2000	353.0	353.0	32.0
SN74LVC112ADGVR	TVSOP	DGV	16	2000	353.0	353.0	32.0
SN74LVC112ADR	SOIC	D	16	2500	340.5	336.1	32.0
SN74LVC112ADR	SOIC	D	16	2500	353.0	353.0	32.0
SN74LVC112ANSR	SOP	NS	16	2000	353.0	353.0	32.0
SN74LVC112APWR	TSSOP	PW	16	2000	353.0	353.0	32.0
SN74LVC112APWRG4	TSSOP	PW	16	2000	353.0	353.0	32.0
SN74LVC112APWT	TSSOP	PW	16	250	353.0	353.0	32.0

TUBE


*All dimensions are nominal

Device	Package Name	Package Type	Pins	SPQ	L (mm)	W (mm)	T (μm)	B (mm)
SN74LVC112AD	D	SOIC	16	40	507	8	3940	4.32
SN74LVC112AD.B	D	SOIC	16	40	507	8	3940	4.32
SN74LVC112APW	PW	TSSOP	16	90	530	10.2	3600	3.5
SN74LVC112APW.B	PW	TSSOP	16	90	530	10.2	3600	3.5