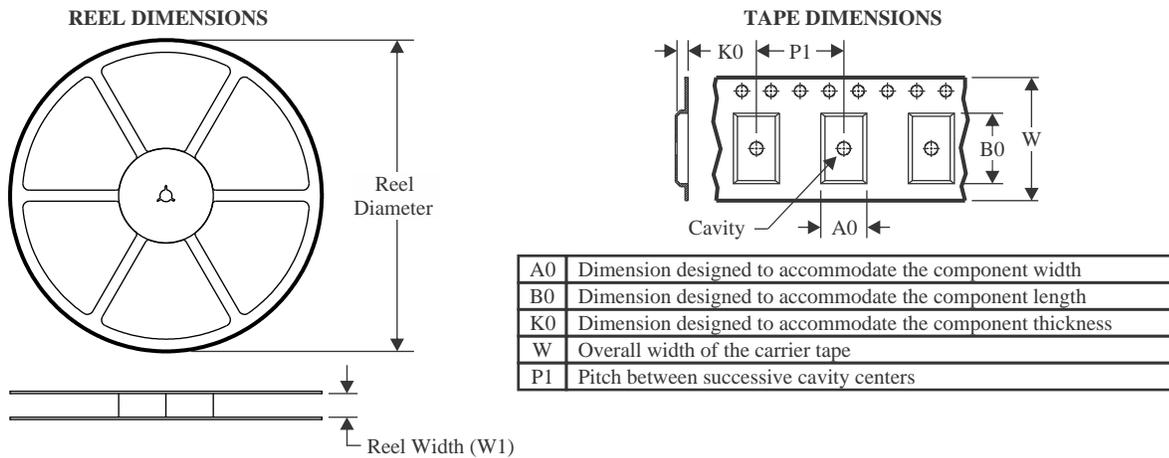
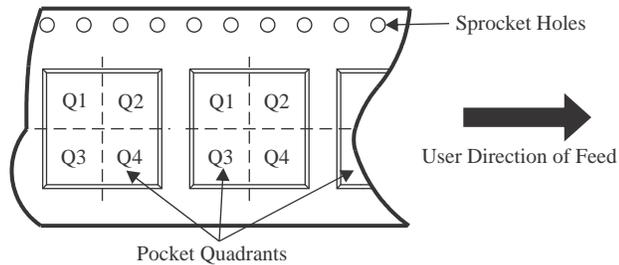


TAPE AND REEL INFORMATION



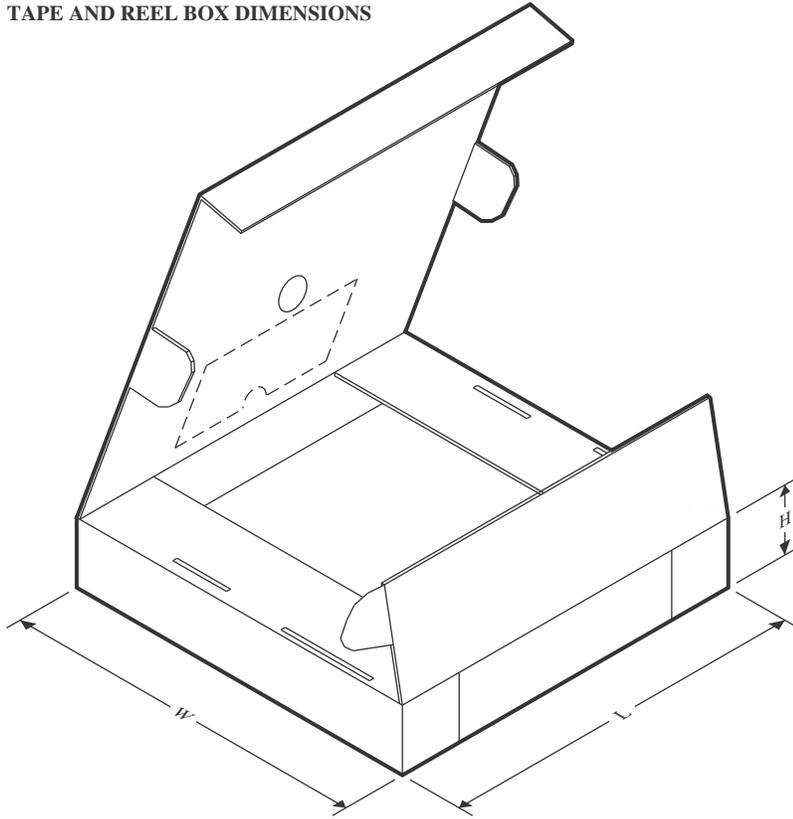
QUADRANT ASSIGNMENTS FOR PIN 1 ORIENTATION IN TAPE



*All dimensions are nominal

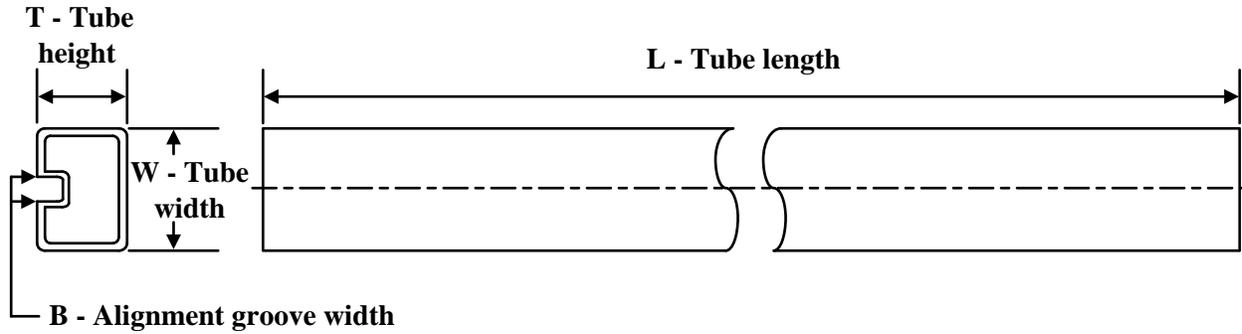
Device	Package Type	Package Drawing	Pins	SPQ	Reel Diameter (mm)	Reel Width W1 (mm)	A0 (mm)	B0 (mm)	K0 (mm)	P1 (mm)	W (mm)	Pin1 Quadrant
SN74HC11DR	SOIC	D	14	2500	330.0	16.4	6.6	9.3	2.1	8.0	16.0	Q1
SN74HC11NSR	SO	NS	14	2000	330.0	16.4	8.45	10.55	2.5	12.0	16.2	Q1
SN74HC11PWR	TSSOP	PW	14	2000	330.0	12.4	6.85	5.45	1.6	8.0	12.0	Q1
SN74HC11PWR	TSSOP	PW	14	2000	330.0	12.4	6.9	5.6	1.6	8.0	12.0	Q1

TAPE AND REEL BOX DIMENSIONS



*All dimensions are nominal

Device	Package Type	Package Drawing	Pins	SPQ	Length (mm)	Width (mm)	Height (mm)
SN74HC11DR	SOIC	D	14	2500	366.0	364.0	50.0
SN74HC11NSR	SO	NS	14	2000	356.0	356.0	35.0
SN74HC11PWR	TSSOP	PW	14	2000	366.0	364.0	50.0
SN74HC11PWR	TSSOP	PW	14	2000	356.0	356.0	35.0

TUBE


*All dimensions are nominal

Device	Package Name	Package Type	Pins	SPQ	L (mm)	W (mm)	T (μm)	B (mm)
84048012A	FK	LCCC	20	55	506.98	12.06	2030	NA
8404801DA	W	CFP	14	25	506.98	26.16	6220	NA
SN74HC11N	N	PDIP	14	25	506	13.97	11230	4.32
SN74HC11N	N	PDIP	14	25	506	13.97	11230	4.32
SNJ54HC11FK	FK	LCCC	20	55	506.98	12.06	2030	NA
SNJ54HC11W	W	CFP	14	25	506.98	26.16	6220	NA