

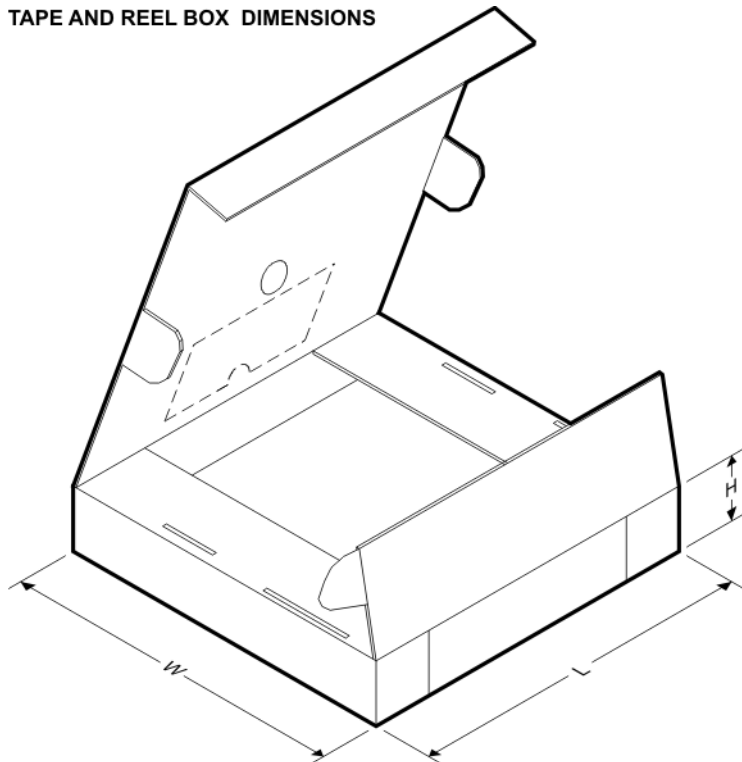
**TAPE AND REEL INFORMATION**

**QUADRANT ASSIGNMENTS FOR PIN 1 ORIENTATION IN TAPE**


\*All dimensions are nominal

| Device              | Package Type | Package Drawing | Pins | SPQ  | Reel Diameter (mm) | Reel Width W1 (mm) | A0 (mm) | B0 (mm) | K0 (mm) | P1 (mm) | W (mm) | Pin1 Quadrant |
|---------------------|--------------|-----------------|------|------|--------------------|--------------------|---------|---------|---------|---------|--------|---------------|
| LM1117DTX-1.8/NOPB  | TO-252       | NDP             | 3    | 2500 | 330.0              | 16.4               | 6.9     | 10.5    | 2.7     | 8.0     | 16.0   | Q2            |
| LM1117DTX-2.5/NOPB  | TO-252       | NDP             | 3    | 2500 | 330.0              | 16.4               | 6.9     | 10.5    | 2.7     | 8.0     | 16.0   | Q2            |
| LM1117DTX-3.3/NOPB  | TO-252       | NDP             | 3    | 2500 | 330.0              | 16.4               | 6.9     | 10.5    | 2.7     | 8.0     | 16.0   | Q2            |
| LM1117DTX-5.0/NOPB  | TO-252       | NDP             | 3    | 2500 | 330.0              | 16.4               | 6.9     | 10.5    | 2.7     | 8.0     | 16.0   | Q2            |
| LM1117DTX-ADJ/NOPB  | TO-252       | NDP             | 3    | 2500 | 330.0              | 16.4               | 6.9     | 10.5    | 2.7     | 8.0     | 16.0   | Q2            |
| LM1117IDTX-3.3/NOPB | TO-252       | NDP             | 3    | 2500 | 330.0              | 16.4               | 6.9     | 10.5    | 2.7     | 8.0     | 16.0   | Q2            |
| LM1117IDTX-5.0/NOPB | TO-252       | NDP             | 3    | 2500 | 330.0              | 16.4               | 6.9     | 10.5    | 2.7     | 8.0     | 16.0   | Q2            |
| LM1117IDTX-ADJ/NOPB | TO-252       | NDP             | 3    | 2500 | 330.0              | 16.4               | 6.9     | 10.5    | 2.7     | 8.0     | 16.0   | Q2            |
| LM1117ILD-ADJ/NOPB  | WSON         | NGN             | 8    | 1000 | 178.0              | 12.4               | 4.3     | 4.3     | 1.3     | 8.0     | 12.0   | Q1            |
| LM1117IMP-3.3/NOPB  | SOT-223      | DCY             | 4    | 1000 | 330.0              | 16.4               | 7.0     | 7.5     | 2.2     | 12.0    | 16.0   | Q3            |
| LM1117IMP-5.0/NOPB  | SOT-223      | DCY             | 4    | 1000 | 330.0              | 16.4               | 7.0     | 7.5     | 2.2     | 12.0    | 16.0   | Q3            |
| LM1117IMP-ADJ/NOPB  | SOT-223      | DCY             | 4    | 1000 | 330.0              | 16.4               | 7.0     | 7.5     | 2.2     | 12.0    | 16.0   | Q3            |
| LM1117IMPX-3.3/NOPB | SOT-223      | DCY             | 4    | 2000 | 330.0              | 16.4               | 7.0     | 7.5     | 2.2     | 12.0    | 16.0   | Q3            |
| LM1117IMPX-5.0/NOPB | SOT-223      | DCY             | 4    | 2000 | 330.0              | 16.4               | 7.0     | 7.5     | 2.2     | 12.0    | 16.0   | Q3            |
| LM1117IMPX-ADJ/NOPB | SOT-223      | DCY             | 4    | 2000 | 330.0              | 16.4               | 7.0     | 7.5     | 2.2     | 12.0    | 16.0   | Q3            |
| LM1117LD-1.8/NOPB   | WSON         | NGN             | 8    | 1000 | 178.0              | 12.4               | 4.3     | 4.3     | 1.3     | 8.0     | 12.0   | Q1            |
| LM1117LD-2.5/NOPB   | WSON         | NGN             | 8    | 1000 | 178.0              | 12.4               | 4.3     | 4.3     | 1.3     | 8.0     | 12.0   | Q1            |
| LM1117LD-3.3/NOPB   | WSON         | NGN             | 8    | 1000 | 178.0              | 12.4               | 4.3     | 4.3     | 1.3     | 8.0     | 12.0   | Q1            |

| Device             | Package Type | Package Drawing | Pins | SPQ  | Reel Diameter (mm) | Reel Width W1 (mm) | A0 (mm) | B0 (mm) | K0 (mm) | P1 (mm) | W (mm) | Pin1 Quadrant |
|--------------------|--------------|-----------------|------|------|--------------------|--------------------|---------|---------|---------|---------|--------|---------------|
| LM1117LD-ADJ/NOPB  | WSO8         | NGN             | 8    | 1000 | 178.0              | 12.4               | 4.3     | 4.3     | 1.3     | 8.0     | 12.0   | Q1            |
| LM1117LDX-1.8/NOPB | WSO8         | NGN             | 8    | 4500 | 330.0              | 12.4               | 4.3     | 4.3     | 1.3     | 8.0     | 12.0   | Q1            |
| LM1117LDX-ADJ/NOPB | WSO8         | NGN             | 8    | 4500 | 330.0              | 12.4               | 4.3     | 4.3     | 1.3     | 8.0     | 12.0   | Q1            |
| LM1117MP-1.8/NOPB  | SOT-223      | DCY             | 4    | 1000 | 330.0              | 16.4               | 7.0     | 7.5     | 2.2     | 12.0    | 16.0   | Q3            |
| LM1117MP-2.5/NOPB  | SOT-223      | DCY             | 4    | 1000 | 330.0              | 16.4               | 7.0     | 7.5     | 2.2     | 12.0    | 16.0   | Q3            |
| LM1117MP-3.3/NOPB  | SOT-223      | DCY             | 4    | 1000 | 330.0              | 16.4               | 7.0     | 7.5     | 2.2     | 12.0    | 16.0   | Q3            |
| LM1117MP-5.0/NOPB  | SOT-223      | DCY             | 4    | 1000 | 330.0              | 16.4               | 7.0     | 7.5     | 2.2     | 12.0    | 16.0   | Q3            |
| LM1117MP-ADJ/NOPB  | SOT-223      | DCY             | 4    | 1000 | 330.0              | 16.4               | 7.0     | 7.5     | 2.2     | 12.0    | 16.0   | Q3            |
| LM1117MPX-1.8/NOPB | SOT-223      | DCY             | 4    | 2000 | 330.0              | 16.4               | 7.0     | 7.5     | 2.2     | 12.0    | 16.0   | Q3            |
| LM1117MPX-2.5/NOPB | SOT-223      | DCY             | 4    | 2000 | 330.0              | 16.4               | 7.0     | 7.5     | 2.2     | 12.0    | 16.0   | Q3            |
| LM1117MPX-3.3      | SOT-223      | DCY             | 4    | 2000 | 330.0              | 16.4               | 7.0     | 7.5     | 2.2     | 12.0    | 16.0   | Q3            |
| LM1117MPX-3.3/NOPB | SOT-223      | DCY             | 4    | 2000 | 330.0              | 16.4               | 7.0     | 7.5     | 2.2     | 12.0    | 16.0   | Q3            |
| LM1117MPX-5.0/NOPB | SOT-223      | DCY             | 4    | 2000 | 330.0              | 16.4               | 7.0     | 7.5     | 2.2     | 12.0    | 16.0   | Q3            |
| LM1117MPX-ADJ/NOPB | SOT-223      | DCY             | 4    | 2000 | 330.0              | 16.4               | 7.0     | 7.5     | 2.2     | 12.0    | 16.0   | Q3            |
| LM1117SX-3.3/NOPB  | DDPAK/TO-263 | KTT             | 3    | 500  | 330.0              | 24.4               | 10.75   | 14.85   | 5.0     | 16.0    | 24.0   | Q2            |
| LM1117SX-5.0/NOPB  | DDPAK/TO-263 | KTT             | 3    | 500  | 330.0              | 24.4               | 10.75   | 14.85   | 5.0     | 16.0    | 24.0   | Q2            |
| LM1117SX-ADJ/NOPB  | DDPAK/TO-263 | KTT             | 3    | 500  | 330.0              | 24.4               | 10.75   | 14.85   | 5.0     | 16.0    | 24.0   | Q2            |

**TAPE AND REEL BOX DIMENSIONS**


\*All dimensions are nominal

| Device              | Package Type | Package Drawing | Pins | SPQ  | Length (mm) | Width (mm) | Height (mm) |
|---------------------|--------------|-----------------|------|------|-------------|------------|-------------|
| LM1117DTX-1.8/NOPB  | TO-252       | NDP             | 3    | 2500 | 853.0       | 449.0      | 35.0        |
| LM1117DTX-2.5/NOPB  | TO-252       | NDP             | 3    | 2500 | 853.0       | 449.0      | 35.0        |
| LM1117DTX-3.3/NOPB  | TO-252       | NDP             | 3    | 2500 | 853.0       | 449.0      | 35.0        |
| LM1117DTX-5.0/NOPB  | TO-252       | NDP             | 3    | 2500 | 853.0       | 449.0      | 35.0        |
| LM1117DTX-ADJ/NOPB  | TO-252       | NDP             | 3    | 2500 | 853.0       | 449.0      | 35.0        |
| LM1117IDTX-3.3/NOPB | TO-252       | NDP             | 3    | 2500 | 853.0       | 449.0      | 35.0        |
| LM1117IDTX-5.0/NOPB | TO-252       | NDP             | 3    | 2500 | 853.0       | 449.0      | 35.0        |
| LM1117IDTX-ADJ/NOPB | TO-252       | NDP             | 3    | 2500 | 853.0       | 449.0      | 35.0        |
| LM1117ILD-ADJ/NOPB  | WSON         | NGN             | 8    | 1000 | 208.0       | 191.0      | 35.0        |
| LM1117IMP-3.3/NOPB  | SOT-223      | DCY             | 4    | 1000 | 367.0       | 367.0      | 35.0        |
| LM1117IMP-5.0/NOPB  | SOT-223      | DCY             | 4    | 1000 | 367.0       | 367.0      | 35.0        |
| LM1117IMP-ADJ/NOPB  | SOT-223      | DCY             | 4    | 1000 | 367.0       | 367.0      | 35.0        |
| LM1117IMPX-3.3/NOPB | SOT-223      | DCY             | 4    | 2000 | 367.0       | 367.0      | 35.0        |
| LM1117IMPX-5.0/NOPB | SOT-223      | DCY             | 4    | 2000 | 367.0       | 367.0      | 35.0        |
| LM1117IMPX-ADJ/NOPB | SOT-223      | DCY             | 4    | 2000 | 367.0       | 367.0      | 35.0        |
| LM1117LD-1.8/NOPB   | WSON         | NGN             | 8    | 1000 | 208.0       | 191.0      | 35.0        |
| LM1117LD-2.5/NOPB   | WSON         | NGN             | 8    | 1000 | 208.0       | 191.0      | 35.0        |
| LM1117LD-3.3/NOPB   | WSON         | NGN             | 8    | 1000 | 208.0       | 191.0      | 35.0        |
| LM1117LD-ADJ/NOPB   | WSON         | NGN             | 8    | 1000 | 208.0       | 191.0      | 35.0        |
| LM1117LDX-1.8/NOPB  | WSON         | NGN             | 8    | 4500 | 853.0       | 449.0      | 35.0        |
| LM1117LDX-ADJ/NOPB  | WSON         | NGN             | 8    | 4500 | 853.0       | 449.0      | 35.0        |
| LM1117MP-1.8/NOPB   | SOT-223      | DCY             | 4    | 1000 | 367.0       | 367.0      | 35.0        |
| LM1117MP-2.5/NOPB   | SOT-223      | DCY             | 4    | 1000 | 367.0       | 367.0      | 35.0        |
| LM1117MP-3.3/NOPB   | SOT-223      | DCY             | 4    | 1000 | 367.0       | 367.0      | 35.0        |
| LM1117MP-5.0/NOPB   | SOT-223      | DCY             | 4    | 1000 | 367.0       | 367.0      | 35.0        |
| LM1117MP-ADJ/NOPB   | SOT-223      | DCY             | 4    | 1000 | 367.0       | 367.0      | 35.0        |
| LM1117MPX-1.8/NOPB  | SOT-223      | DCY             | 4    | 2000 | 367.0       | 367.0      | 35.0        |
| LM1117MPX-2.5/NOPB  | SOT-223      | DCY             | 4    | 2000 | 367.0       | 367.0      | 35.0        |
| LM1117MPX-3.3       | SOT-223      | DCY             | 4    | 2000 | 367.0       | 367.0      | 35.0        |
| LM1117MPX-3.3/NOPB  | SOT-223      | DCY             | 4    | 2000 | 367.0       | 367.0      | 35.0        |
| LM1117MPX-5.0/NOPB  | SOT-223      | DCY             | 4    | 2000 | 367.0       | 367.0      | 35.0        |
| LM1117MPX-ADJ/NOPB  | SOT-223      | DCY             | 4    | 2000 | 367.0       | 367.0      | 35.0        |
| LM1117SX-3.3/NOPB   | DDPAK/TO-263 | KTT             | 3    | 500  | 367.0       | 367.0      | 45.0        |
| LM1117SX-5.0/NOPB   | DDPAK/TO-263 | KTT             | 3    | 500  | 367.0       | 367.0      | 45.0        |
| LM1117SX-ADJ/NOPB   | DDPAK/TO-263 | KTT             | 3    | 500  | 367.0       | 367.0      | 45.0        |