

AN-2067 LM5027A Evaluation Board

1 Introduction

The LM5027A evaluation board is designed to provide the design engineer with a fully functional power converter based on the Active Clamp Forward topology to evaluate the LM5027A controller. The evaluation board is provided in an industry standard quarter-brick footprint.

The performance of the evaluation board is:

- Input Operating Range: 36 to 78 V (100 V peak)
- Output Voltage: 3.3 V
- Output Current: 0 to 30 A
- Measured Efficiency: 90.5% @ 30 A, 92.5% @ 15 A
- Frequency of Operation: 250 kHz
- Board Size: 2.3 × 1.45 × 0.5 inches
- Load Regulation: 1%
- Line Regulation: 0.1%
- Line UVLO, Hiccup Current Limit
- A 70% Maximum Duty Cycle

The printed circuit board consists of 6 layers of 2 ounce copper on FR4 material with a total thickness of 0.050 inches. The unit is designed for continuous operation at rated load at <40°C and a minimum airflow of 200 CFM.

2 Theory of Operation

Power converters based on the Forward topology offer high efficiency and good power handling capability in applications up to several hundred watts. The operation of the transformer in a forward topology does not inherently self-reset each power switching cycle; a mechanism to reset the transformer is required. The active clamp reset mechanism is presently finding extensive use in medium level power converters in the 50 to 200 W range.

The Forward converter is derived from the Buck topology family, employing a single modulating power switch. The main difference between the topologies are, the Forward topology employs a transformer to provide input / output ground isolation and a step down or step up function.

Each cycle, the main primary switch turns on and applies the input voltage across the primary winding, which has 12 turns. The transformer secondary has 2 turns, leading to a 6:1 step-down of the input voltage. For an output voltage of 3.3 V the required duty cycle (D) of the main switch must vary from approximately 60% (low line) to 25% (high line). The LM5027A limits the PWM duty cycle output to a maximum of 70% (typical). The maximum duty cycle limits the voltage stress on the Active Clamp Forward converter MOSFETs. The clamp capacitor along with the reset switch reverse biases the transformer primary each cycle when the main switch turns off. This reverse voltage resets the transformer. The clamp capacitor voltage is $V_{in} / (1-D)$.

Feedback from the output is processed by an amplifier and reference, generating an error voltage, which is coupled back to the primary side control through an optocoupler. The LM5027A voltage mode controller pulse width modulates the error signal with a ramp signal derived from the input voltage. Deriving the ramp signal slope from the input voltage provides line feed-forward, which improves line transient rejection. The LM5027A also provides a controlled delay necessary for the reset switch. The evaluation board can be synchronized to an external clock with a recommended frequency range of 275 to 300 kHz.

3 Evaluation Board Schematic

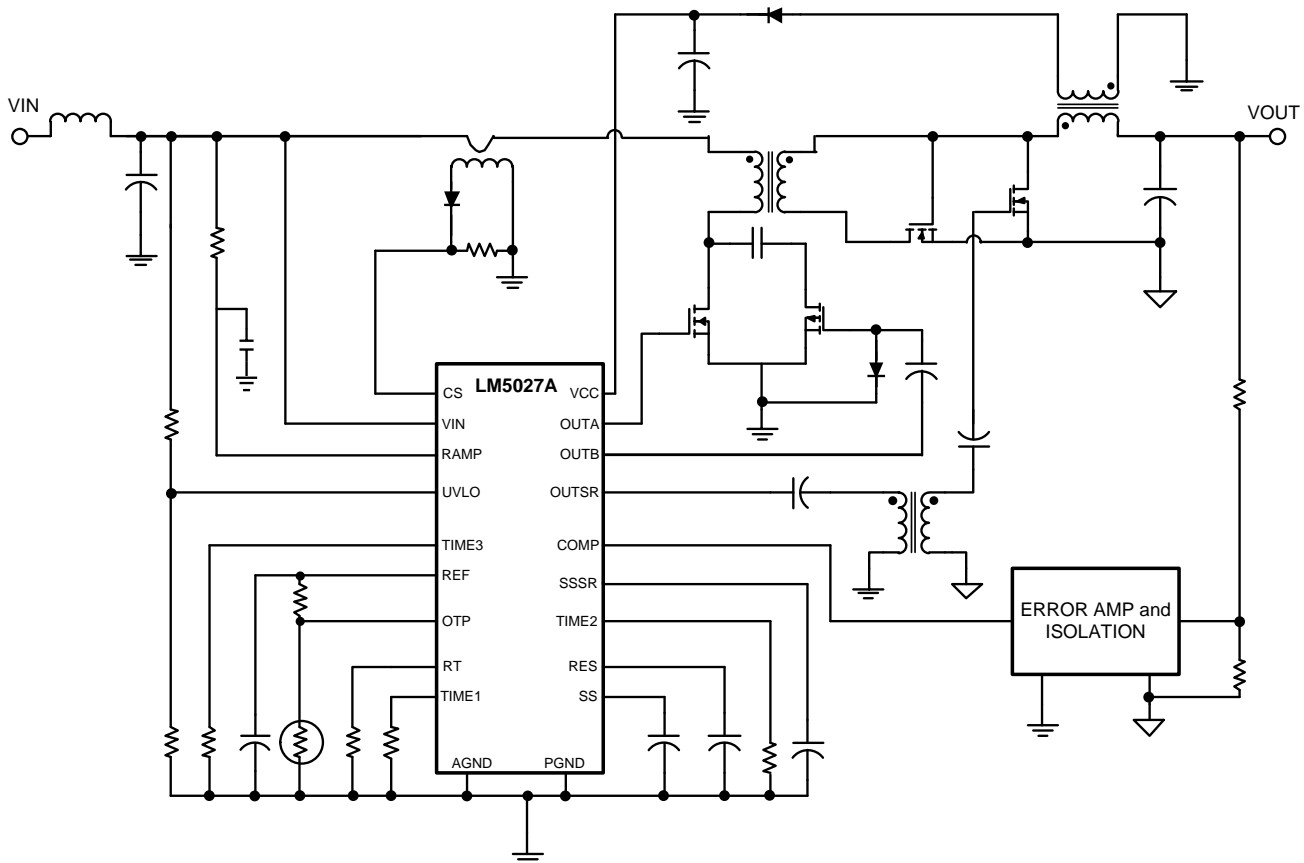


Figure 1. Evaluation Board Schematic

4 Powering and Loading Considerations

When applying power to the LM5027A evaluation board certain precautions need to be followed. A failure or misconnection can present itself in a very alarming manner.

4.1 Proper Connections

When operated at low input voltages the evaluation board can draw up to 3.5 A of current at full load. The maximum rated output current is 30 A. Be sure to choose the correct connector and wire size when attaching the source supply and the load. Monitor the current into and out of the evaluation board. Monitor the voltage directly at the output terminals of the evaluation board. The voltage drop across the load connecting wires will give inaccurate measurements; this is especially true for accurate efficiency measurements. See [Figure 2](#).

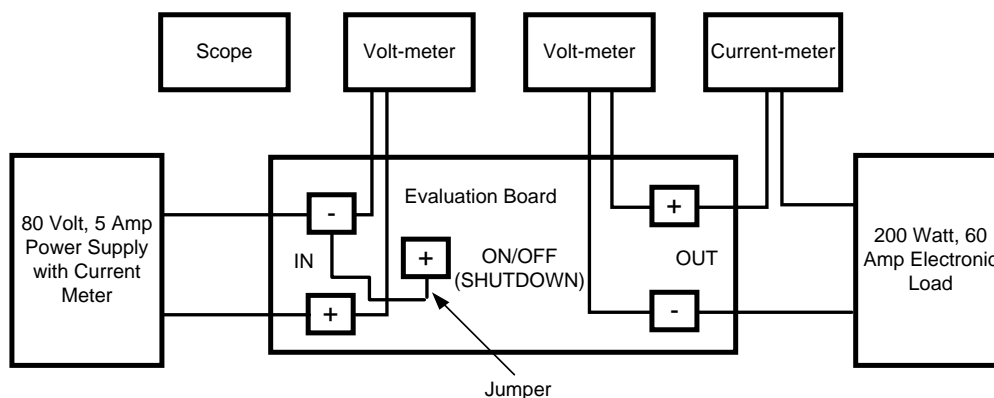


Figure 2. Typical Evaluation Setup

4.2 Source Power

The evaluation board can be viewed as a constant power load. At low input line voltage (36 V) the input current can reach 3.5 A, while at high input line voltage (78 V) the input current will be approximately 1.5 A. Therefore to fully test the LM5027A evaluation board a DC power supply capable of at least 80 V and 4 A is required. The power supply must have adjustments for both voltage and current. An accurate readout of output current is desirable since the current is not subject to loss in the cables as voltage is. The power supply and cabling must present a low impedance to the evaluation board. Insufficient cabling or a high impedance power supply will droop during power supply application with the evaluation board inrush current. If large enough, this droop will cause a chattering condition upon power up. This chattering condition is an interaction with the evaluation board undervoltage lockout, the cabling impedance and the inrush current.

4.3 Loading

An appropriate electronic load, with specified operation down to 3.0 V minimum, is desirable. The resistance of a maximum load is 0.11 Ω . You need thick cables! Consult a wire chart if needed. If resistor banks are used there are certain precautions to be taken. The wattage and current ratings must be adequate for a 30 A, 100 W supply. Monitor both current and voltage at all times. Ensure there is sufficient cooling provided for the load.

4.4 Air Flow

An appropriate electronic load, with specified operation down to 3.0 V minimum, is desirable. The resistance of a maximum load is 0.11 Ω . You need thick cables! Consult a wire chart if needed. If resistor banks are used there are certain precautions to be taken. The wattage and current ratings must be adequate for a 30 A, 100 W supply. Monitor both current and voltage at all times. Ensure there is sufficient cooling provided for the load.

4.5 Powering Up

Using the shutdown pin provided will allow powering up the source supply with the current level set low. It is suggested that the load be kept quite nominal during the first power up. Set the current limit of the source supply to provide about 1.5 times the wattage of the load. As you remove the connection from the shutdown pin to ground, immediately check for 3.3 V at the output.

A most common occurrence, that will prove unnerving, is when the current limit set on the source supply is insufficient for the load. The result is similar to having the high source impedance referred to earlier. The interaction of the source supply folding back and the evaluation board going into undervoltage shutdown will start an oscillation, or chatter, that may have highly undesirable consequences.

A quick efficiency check is the best way to confirm that everything is operating properly. If something is amiss you can be reasonably sure that it will affect the efficiency adversely. Few parameters can be incorrect in a switching power supply without creating losses and potentially damaging heat.

4.6 Over Current Protection

The evaluation board is configured with hiccup over-current protection. In the event of an output overload (approximately 33 A) the unit will discharge the soft-start capacitor, which disables the power stage. After a delay the soft-start is released. The shutdown, delay and slow recharge time of the soft-start capacitor protects the unit, especially during short circuit event where the stress is highest.

5 Start-Up

Power supplies have a soft-start circuit(s) to control their output voltage when input power is applied. The soft-start sequence limits the peak inrush current as the output capacitors are charged, and prevents the output voltage from over-shooting. In most power supplies there are primary side and secondary side soft-start circuits.

The primary side soft-start circuit is generally in a primary side controller and the soft-start time is set with an external capacitor. The function of the primary side soft-start circuit is to slowly increasing the duty cycle of the controller from zero to the maximum duty cycle. The maximum duty cycle varies based on the controller and the circuit topology.

The secondary side soft-start circuit connects a resistor/capacitor from the secondary side voltage reference to the positive input of the error amplifier. The soft-start time is set by the resistor/capacitor time constant and works by ramping up the voltage reference on the secondary side error amplifier. The output of the error amplifier is fed across the isolation boundary to the primary side controller compensation input which is connected to the controller PWM input. The voltage at the compensation input increases to a value required for regulation as determined by the voltage feedback loop. The secondary side soft-start along with the primary side soft-start work together to control the duty cycle on start-up to controlling the power supplies output start-up time, and limit the stress on the power components.

Figure 3 shows the primary and secondary side soft-start sequence using the LM5027A into an electronic load. After V_{in} is applied the primary side soft-start ramps up. When the voltage on the LM5027A SS pin reached 1.0 V the output drives start and power is delivered to the secondary of the transformer. The power supply output rises and the secondary side soft-start circuit begins to ramp-up. The output of the DC-DC converter monotonically increased with no overshoot to 3.3 V out.

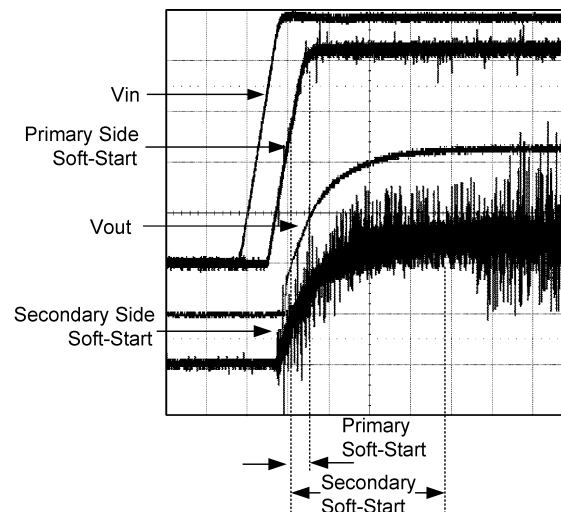


Figure 3. Soft-Start

6 Pre-Bias Load Start-Up

Figure 4 shows a typical Forward Converter topology with an active clamp using self-driven synchronous rectification. It's simple and very efficient; however there are some disadvantages when starting this topology into a pre-biased load. The first occurs because the synchronous rectification is on the secondary side of the transformer and without adding intelligence the output current will flow into the converter via the output choke and the free wheeling MOSFET when the converter starts-up or shut down with pre-bias voltage.

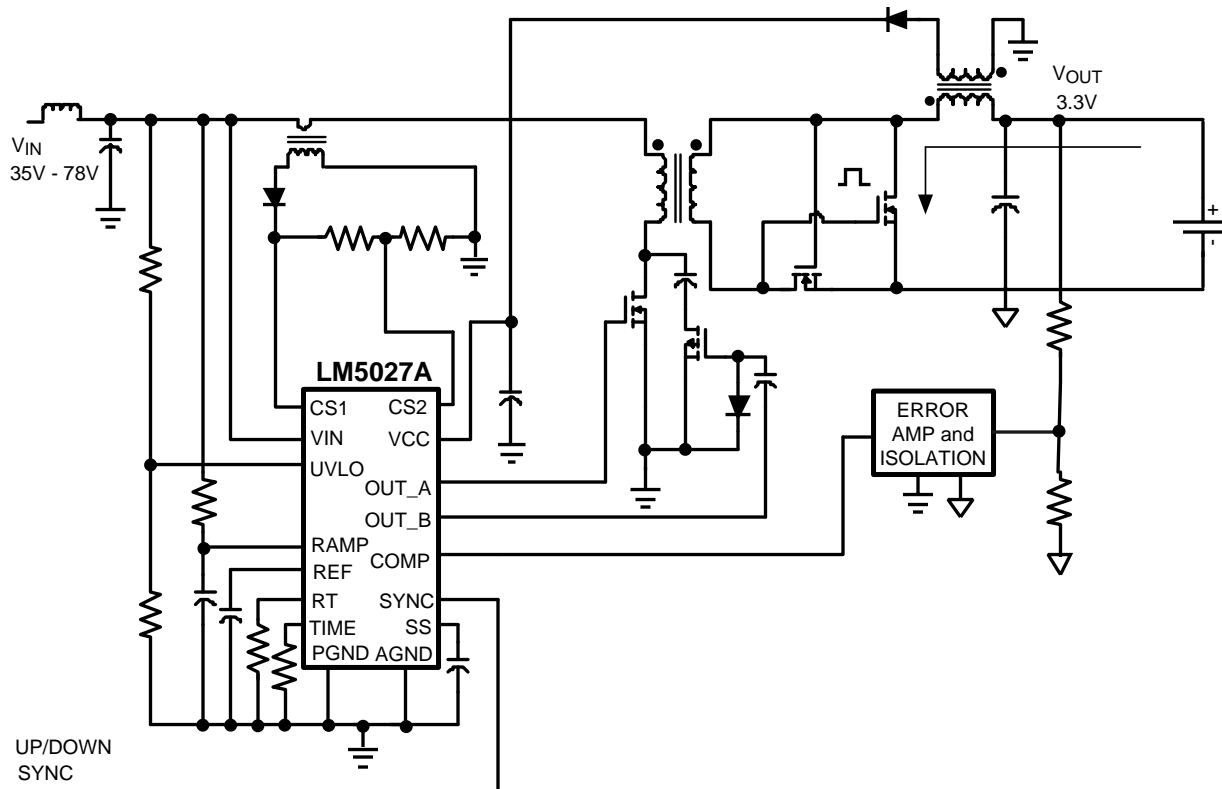


Figure 4. Typical Forward Converter

7 OUTSR Drive

The LM5027A has a dedicated pin (OUTSR) to drive the synchronous rectifier free wheeling MOSFET through a drive transformer as shown in Figure 5. When the converter starts-up, the OUTSR drive is held low and the freewheeling MOSFET is turned-off. As a result, no output current will sink into the converter. The OUTSR is enabled after the primary side soft-start reaches approximately 4.0 V. The OUTSR delay was added to ensure that the power supply output voltage is up and in regulation prior to the freewheeling MOSFET being turned-on, refer to Figure 6 and Figure 7. The OUTSR drive is soft-started; a capacitor on the SSSR pin is released and is charged with a 25 μ A current source, slowly increasing the duty cycle of the freewheeling FET's duty cycle.

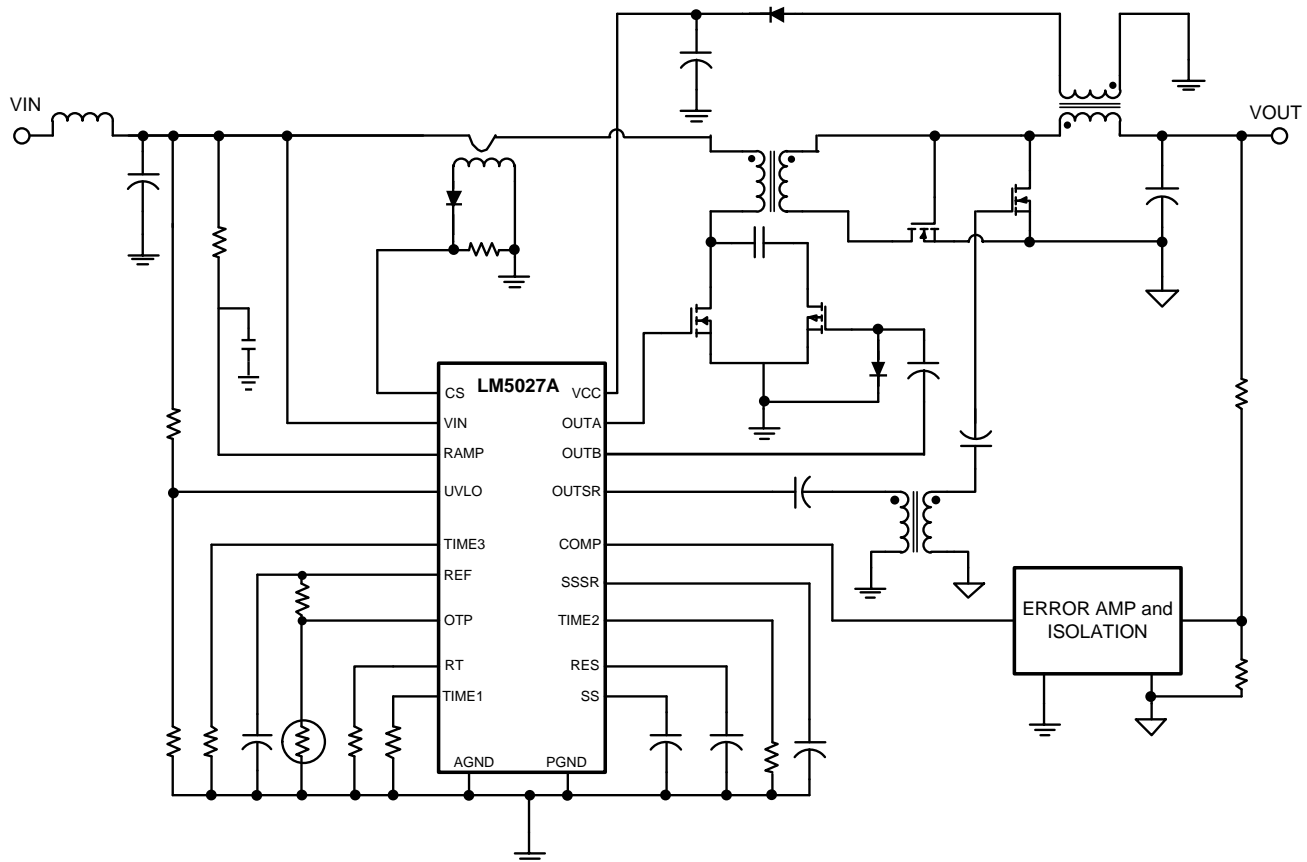


Figure 5. LM5027A Synchronous Rectifier Drive Output (OUTSR)

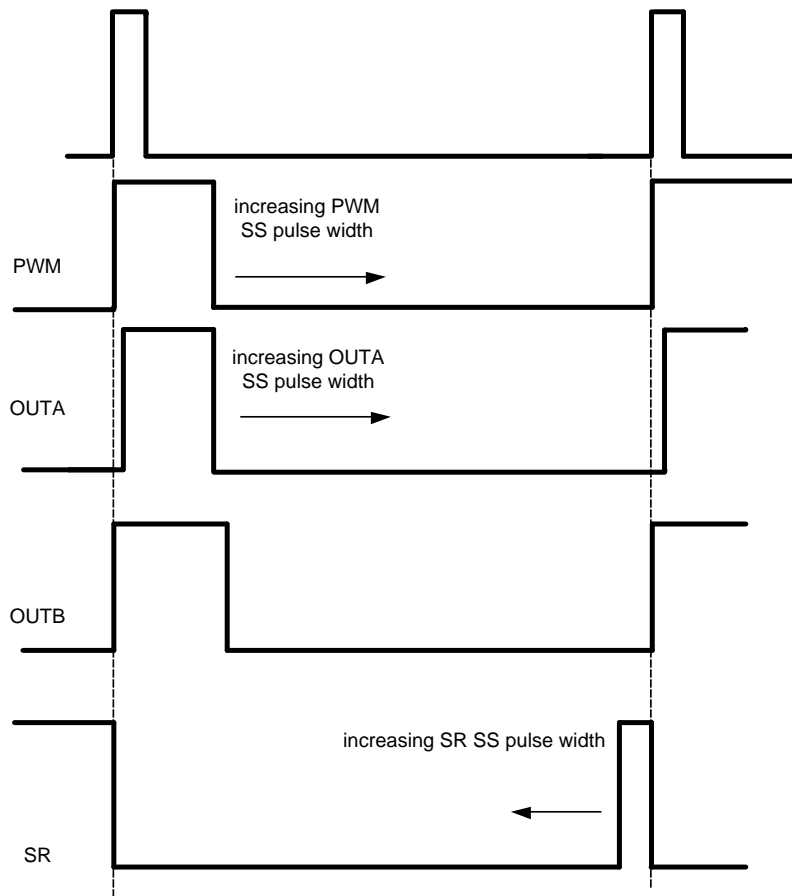


Figure 6. LM5027A Drive Timing

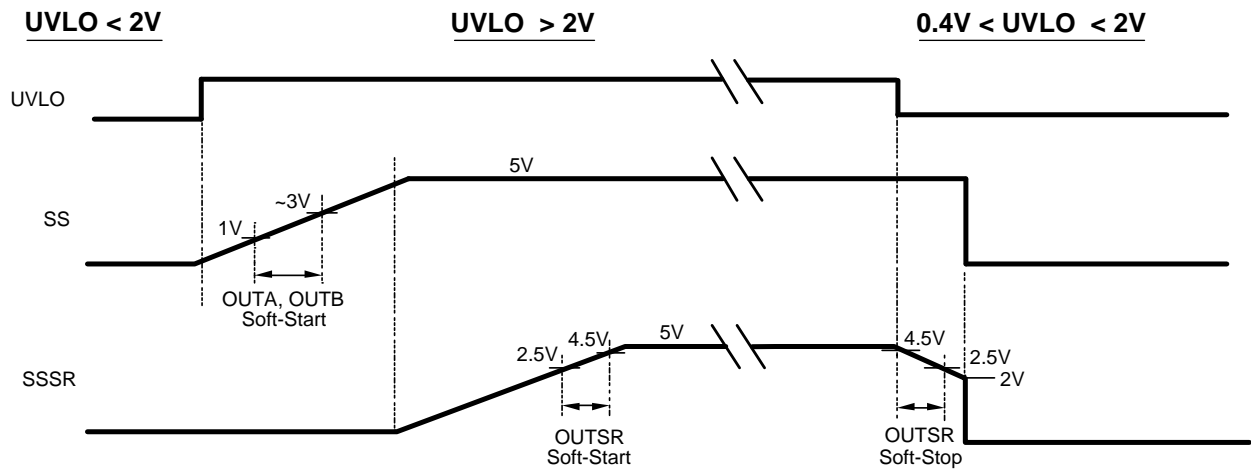


Figure 7. LM5027A Soft-Start Waveforms

8 Secondary Side Soft-Start

In a typical DC-DC converter with a 3.3 V output the voltage reference for the error amplifier is 1.2 V. Prior to the power supply being turned-on and if there is a pre-bias load, the secondary side soft-start capacitor (CSS) will be pre-charged to the voltage reference level of 1.2 V (if the pre-bias load > 1.2 V), refer to Figure 8. On start-up the primary side soft-start begins and the output voltage rises from the pre-bias voltage level to 3.3 V, refer to Figure 9. At the end of the primary side soft-start period the controller will be at maximum duty cycle and the output voltage will overshoot until the feedback error amplifier has a chance to respond and reduce the output voltage to the regulation set point.

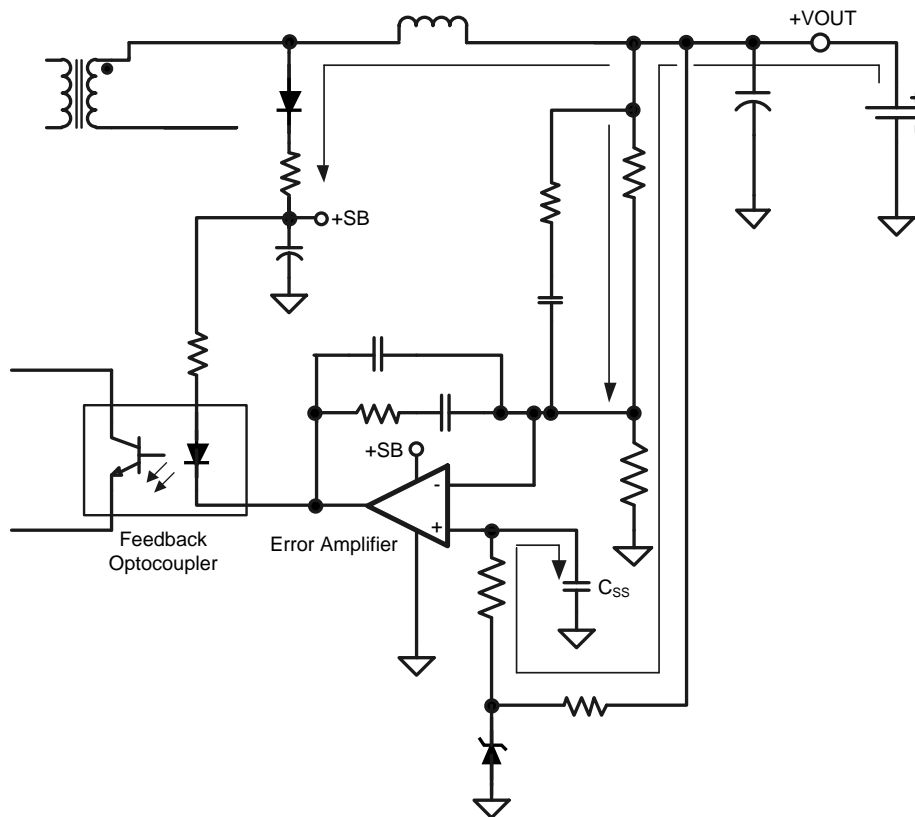


Figure 8. V_{REF} with Pre-Bias Load

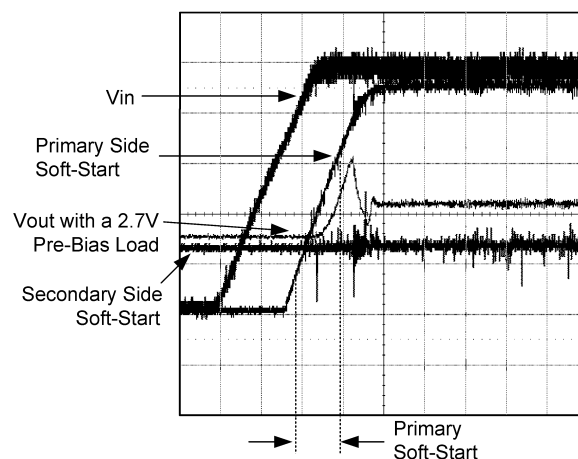


Figure 9. Pre-Bias Secondary Side Soft-Start

9 Secondary Side Soft-Start Reset

When input power is supplied to the LM5027A Evaluation Board the LM5027A's internal VCC Regulator turns-on providing power to the VCC pin, the primary side soft-start voltage increases, and the output drives are enabled. When the drive outputs are enabled the voltage on the transformer secondary increases, the Secondary Bias rises supplying voltage to the reference and error amplifier, refer to Figure 10. During this time FET Q1 is turned-on holding the reference voltage at the positive input to the error amplifier low (zero volts). When the voltage on the secondary bias capacitor (C_{BIAS}) rises above the Zener diode > 3.6 V, the Secondary Bias Power Good (the collector of Q2) goes high. This turns-off FET Q1 allowing the secondary soft-start capacitor to charge up. This solution of resetting the soft-start capacitor to zero (0 V) on start-up works for pre-bias loads as well as loads that do not need to start into a pre-biased condition. This allows for a monotonic start-up under both operating modes.

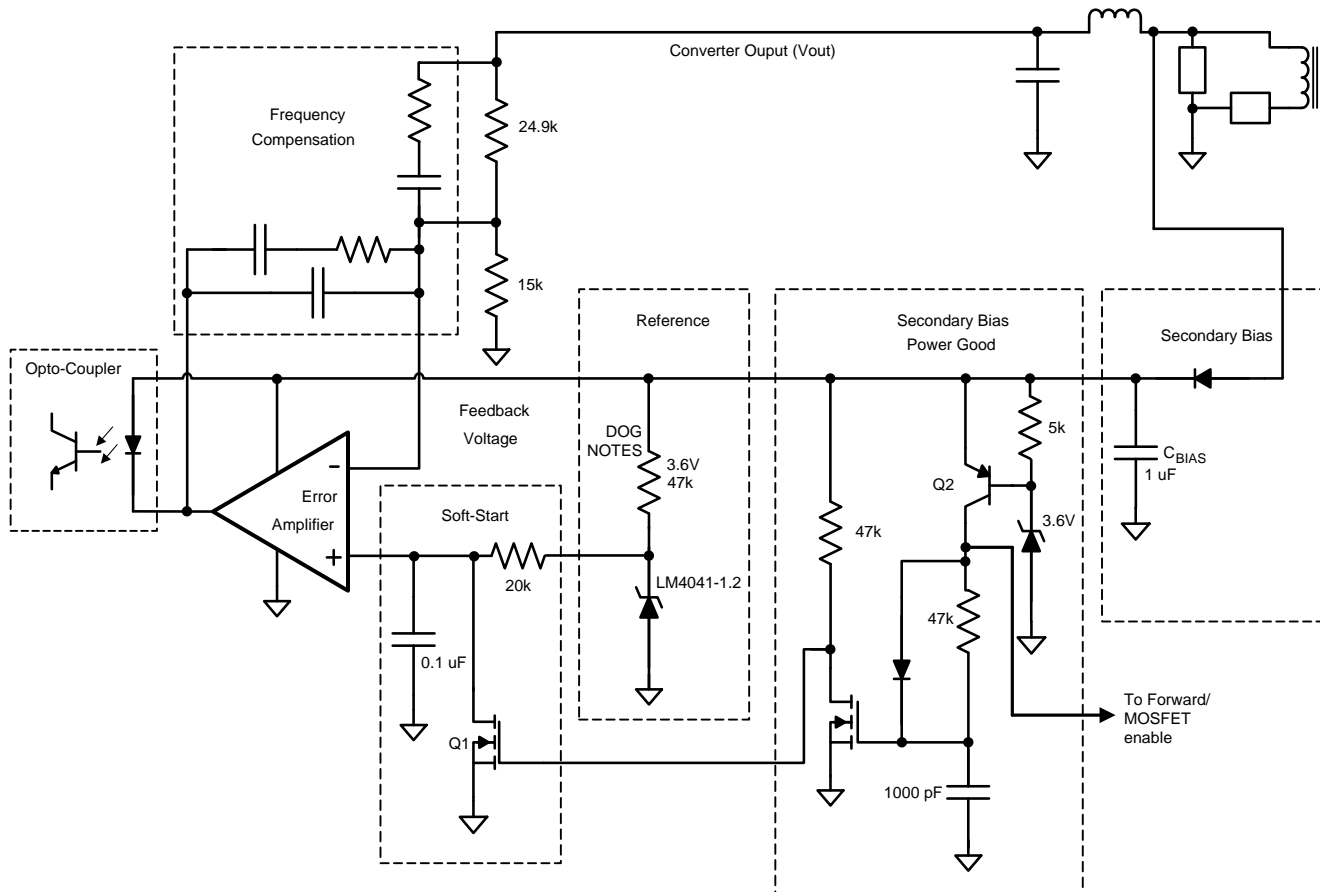


Figure 10. Pre-Bias Schematic

10 Pre-Bias Load-Synchronous Forward MOSFET Enabled

The self driven synchronous rectification topology has an issues starting into a pre-bias load. When a pre-bias load is connected across the power supply output, refer to [Figure 11](#), the pre-bias source will conduct current through the output inductor and the self driven gate drive resistors R1 and R2. If the pre-bias voltage is greater than the V_{gs} of the synchronous MOSFET (M1), the MOSFET will be turned-on sinking current into the power supply.

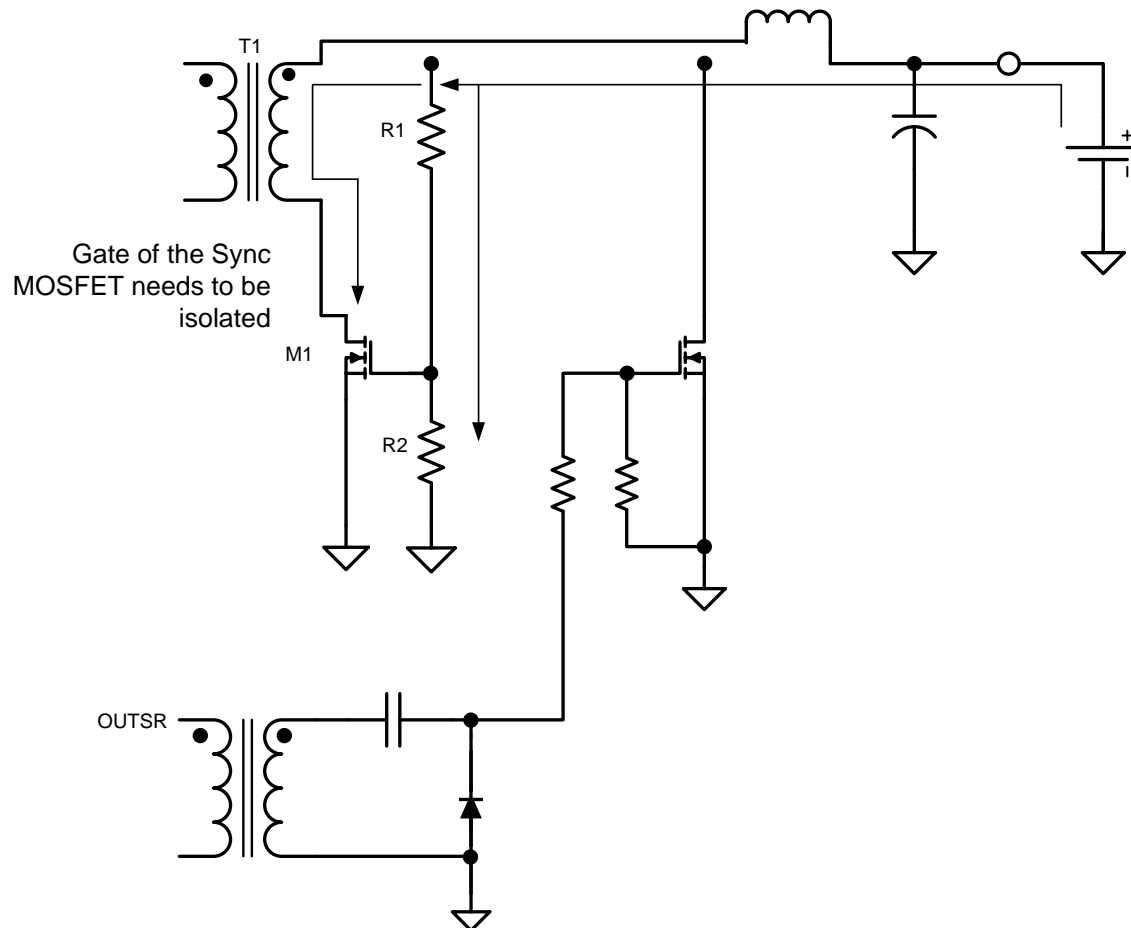


Figure 11. Self Driven with Pre-Bias Load

11 Synchronous Forward MOSFET Enabled

For the LM5027A Evaluation board we used the Secondary Bias Power Good signal as a flag to indicate that the primary sides MOSFETs are switching providing power to the secondary of the transformer T1. When the flag goes high this indicates that it is time to turn-on the forward conducting MOSFET M1. The Secondary Bias Power Good signal drives the base of an NPN transistor (Q3), refer to [Figure 13](#). The NPN transistor is configured as a Cascod amplifier; when it is turned-on, the voltage on the secondary of the transformer T1 drives the gate of the synchronous MOSFET, M1. The MOSFET gate drive voltage is:

$$V\text{-GATE_DRIVE_M1} = V\text{-Secondary_Bias_Power_Good} - V\text{BE_Q3} \quad (1)$$

An NPN transistor needs to be selected so that the transistors collector to emitter voltage under the worst case operating condition does not exceed it's VCE ratings, and that the collector current (Ic) can handle the maximum peak current to drive the gate of MOSFET M1. For the LM5027A Evaluation board the transistor is a 30 V, 1.5 ampere transistor. The maximum VCE is:

$$V\text{CE} = \frac{V\text{in_max}}{n} = \frac{100}{6} = 16.67 \text{ Vpk} \quad (2)$$

Where:

Vin = 100 V under transient conditions

n is the transformer turns ratio = 6

A diode D1 is connected from the collector to the emitter of Q3 to handle any voltage spikes as a result of circuit inductance. Without this diode inductive voltage spike may damage the Cascod amplifier Q3.

An NPN transistor was use instead of an N-Channel MOSFET because the Vgs drop, typically 4 to 5 V; this would reduce the gates drive voltage to M1. Under minimum input line conditions M1 may not be fully turned-on and there would be an increase in the $I^2 \times R_{\text{DS(ON)}}$ losses.

[Figure 12](#) shows the start-up waveforms for the Evaluation board. After the input power is supplied to the Evaluation board the secondary bias voltage rises, when the secondary bias is greater than 3.6 V, the Secondary Power Good output goes high. This turns-on M1 and enables the secondary side soft-start circuit allowing the output voltage to increase after $V_{\text{out}} > V_{\text{pre-bias}}$.

An alternative to using the circuit in [Figure 13](#) is shown in [Figure 14](#); an additional winding can be added to the power transformer which can be used to drive the Forward Synchronous Rectifier MOSFET (M1). This is a simple solution and should not add a lot of complexity to the transformer design.

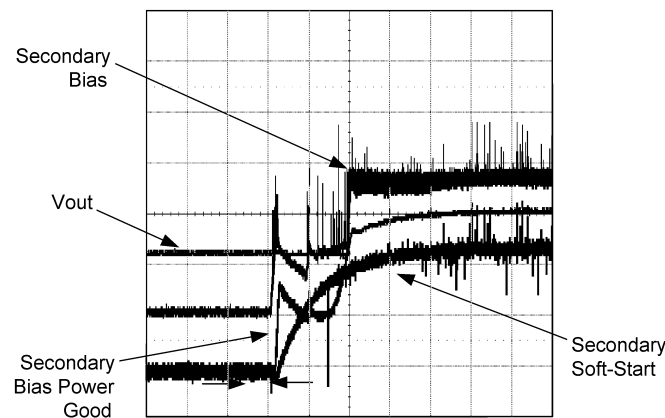


Figure 12. Pre-Bias Load Waveforms

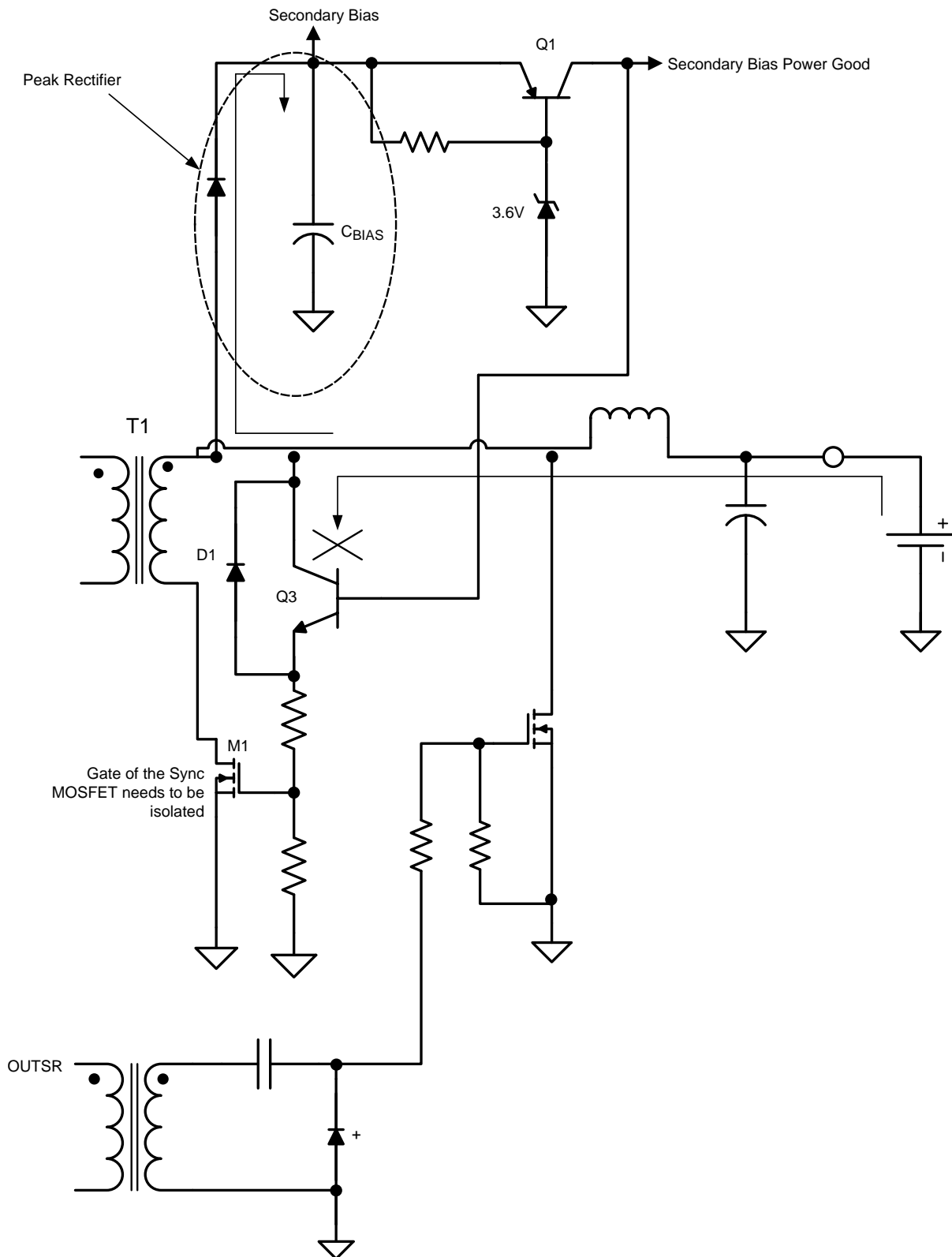


Figure 13. Isolated Synchronous MOSFET

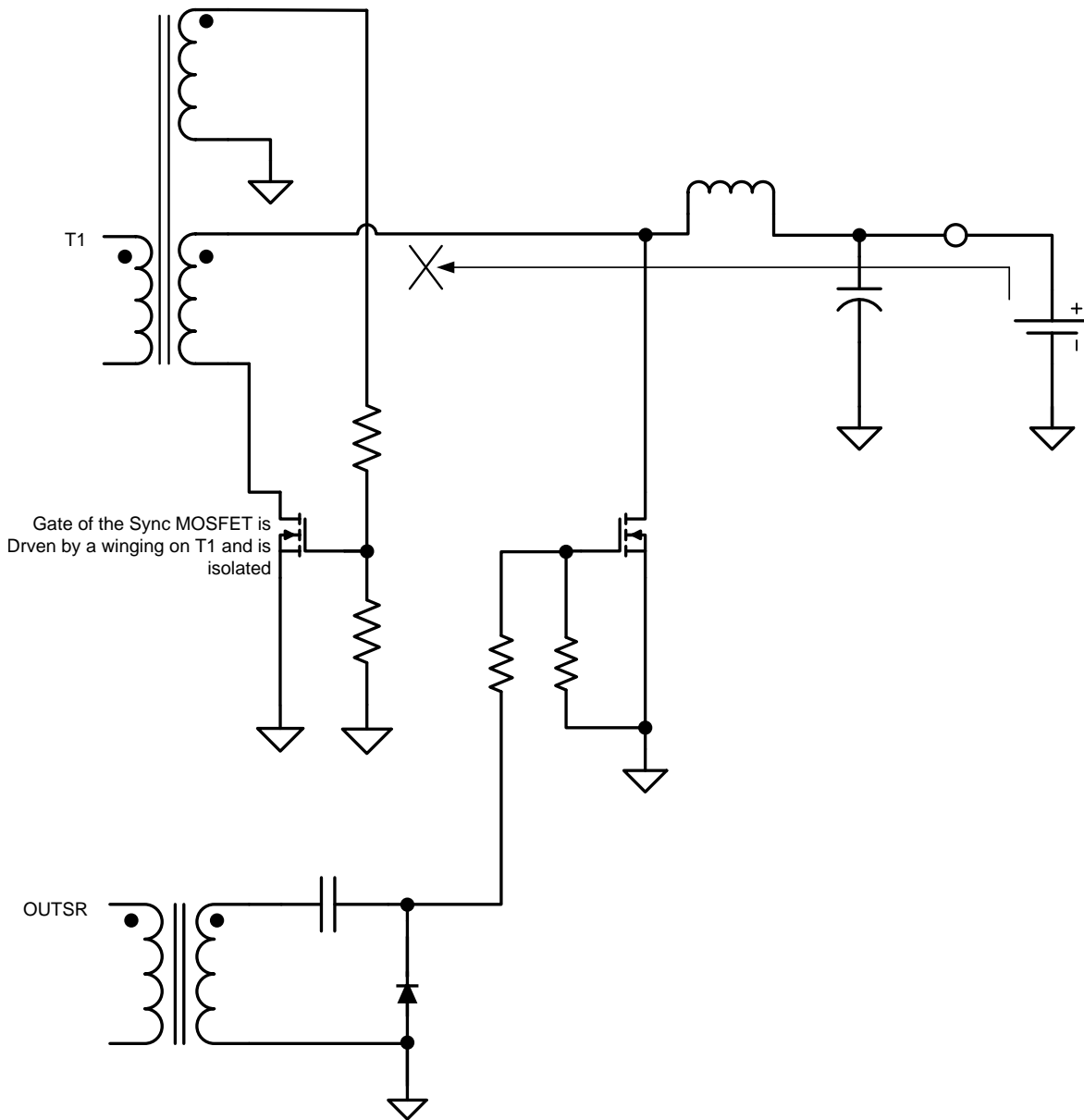


Figure 14. Isolated Synchronous MOSFET Drive Using a Transformer

12 Pre-Bias Load Test Set-Up

For the Pre-bias start-up test, the circuit in [Figure 15](#) was used. An external bias supply, through a $1.0\ \Omega$ resistor, was connected across the output terminals of the Evaluation Board.

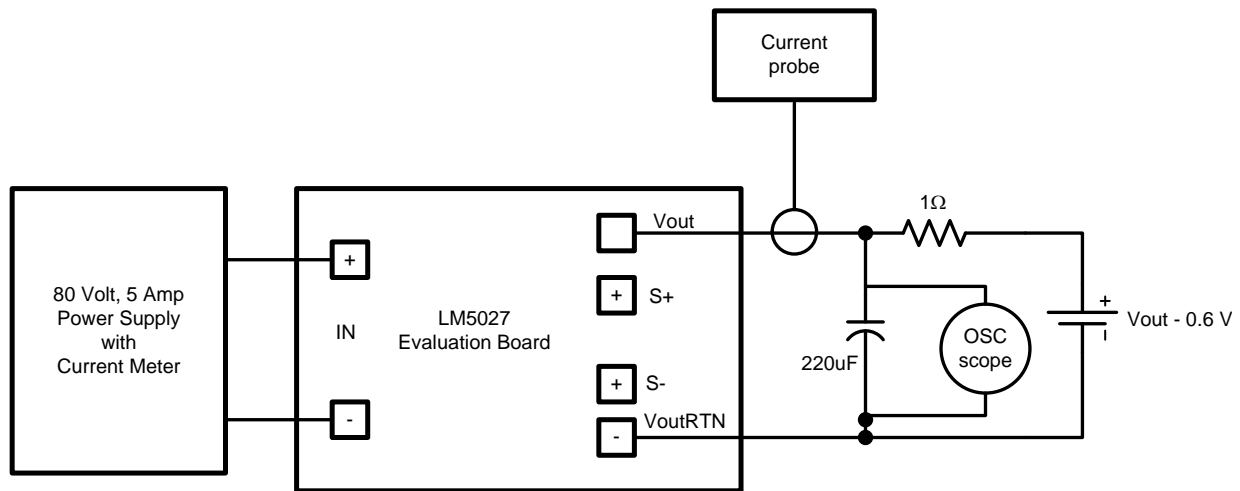


Figure 15. Pre-Bias Load Test Set-Up

13 Pre-Bias Load Start-Up Requirements

The Evaluation board Pre-Bias start-up requirement is that during converter start-up the output shall rise monotonically and not sink current (into the converter) of more than 50 mA .

14 Evaluation Board Results

[Figure 16](#) shows the output of the Evaluation Board starting with a pre-bias voltage of 2.7 V. Under these conditions the output voltage starts at 2.7 V and then increases monotonically to 3.3 V. The current into the Evaluation board (sinking) is less than 50 mA. When the output voltage rise above the pre-bias voltage there is approximately 400 mA of current out of (sourced) the Evaluation Board to charge the external 220 μF capacitor. After the external capacitor is charge to 3.3 V the current out of the power supply drop to approximately 50 mA.

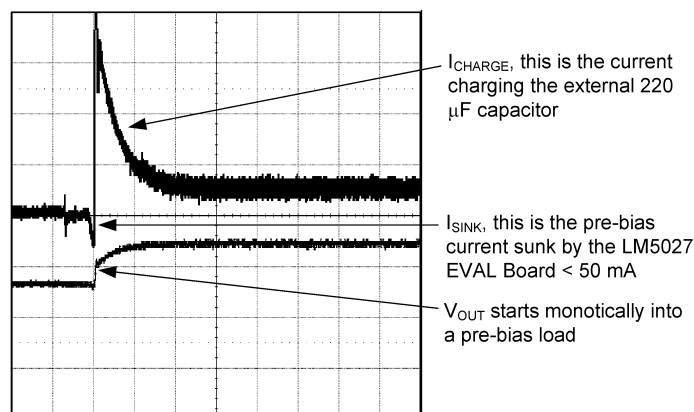
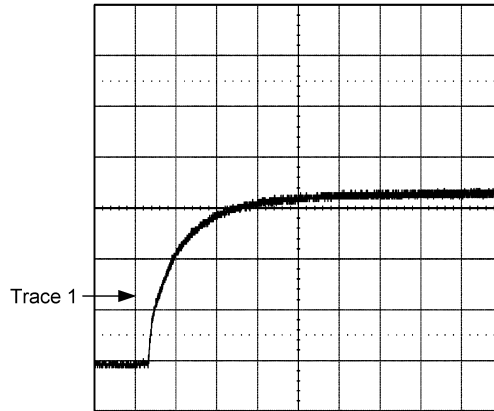


Figure 16. Pre-Bias StartUp

15 Performance Characteristics

15.1 Turn-On Waveforms

When applying power to the LM5027A evaluation board a certain sequence of events occurs. Soft-start capacitor values and other components allow for a minimal output voltage for a short time until the feedback loop can stabilize without overshoot. [Figure 17](#) shows the output voltage during a typical start-up with a 48 V input and a load of 5 A. There is no overshoot during startup.

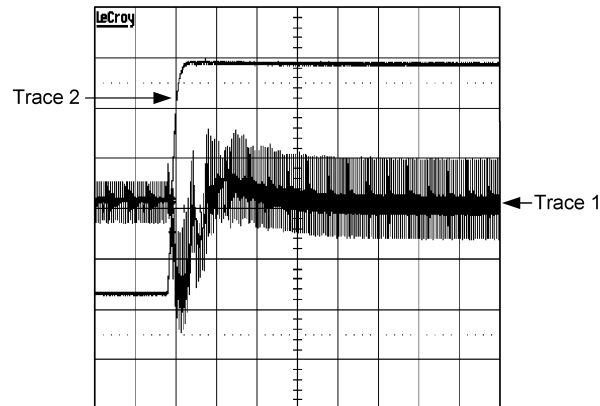


- (1) **Conditions:**
 Input Voltage = 48 VDC
 Output Current = 5 A
Trace 1: Volts/div = 1.0 V
 Output Voltage
Horizontal Resolution = 1 ms/div

Figure 17. Turn-On Waveforms

15.2 Transient Response Waveforms

Figure 18 shows the transient response for a load of change from 2 A to 25 A. The lower trace shows minimal output voltage droop and overshoot during the sudden change in output current shown by the upper trace.

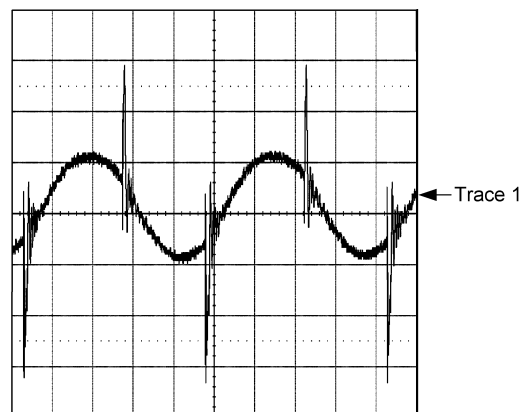


- (1) **Conditions:**
 Input Voltage = 48 VDC
 Output Current = 2 A to 25 A
Trace 1: Volts/div = 0.2 V
 Output Voltage
Trace 2: Amps/Div = 5.0 A
 Output Current
Horizontal Resolution = 1 ms/div

Figure 18. Transient Response Waveforms

15.3 Output Ripple Waveforms

Figure 19 shows typical output ripple seen directly across the output capacitor, for an input voltage of 48 V and a load of 30 A. This waveform is typical of most loads and input voltages.

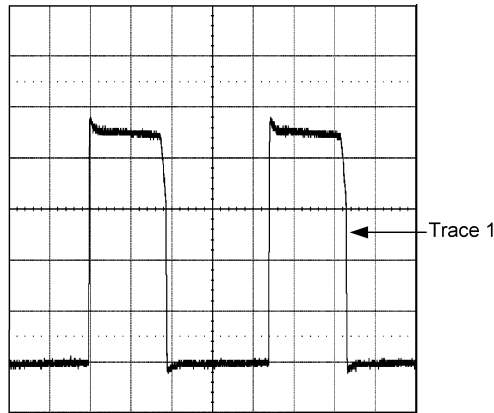


- (1) **Conditions:**
 Input Voltage = 48 VDC
 Output Current = 30 A
 Bandwidth Limit = 25 MHz
Trace 1: Volts/div = 50 mV
 Output Voltage
Horizontal Resolution = 2 μ s/div

Figure 19. Output Ripple Waveform

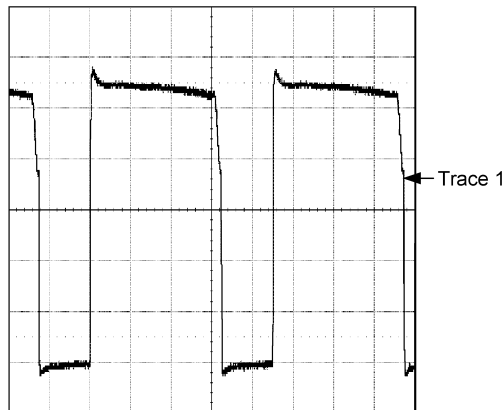
15.4 Drain Voltage of Q1 with a 25 A Load

Figure 20 and Figure 21 show the drain voltage of Q1 with a 25 A load. Figure 20 represents an input voltage of 38 V and Figure 21 represents an input voltage of 78 V.



- (1) **Conditions:**
 Input Voltage = 38 VDC
 Output Current = 25 A
Trace 1: Volts/Div = 20 V
 Q1 Drain Voltage
 Horizontal Resolution = 1 μ s/div

Figure 20. Drain Voltage of Q1 with a 25 A Load - Input Voltage of 38 V

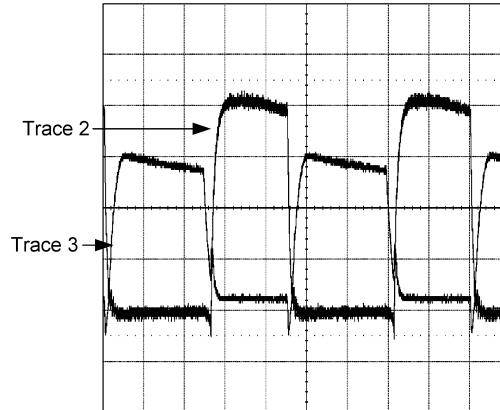


- (1) **Conditions:**
 Input Voltage = 78 VDC
Trace 1: Volts/Div = 20 V
 Q1 Drain Voltage
 Horizontal Resolution = 1 μ s/div

Figure 21. Drain Voltage of Q1 with a 25 A Load - Input Voltage of 78 V

15.5 Gate Voltages

Figure 22 shows the gate voltages of the synchronous rectifiers. The drive from the main power transformer is delayed slightly at turn-on by a resistor interacting with the gate capacitance. This provides improved switching transitions for optimum efficiency. The difference in drive voltage is inherent in the topology and varies with line voltage



- (1) **Conditions:**
 Input Voltage = 48 VDC
 Output Current = 5 A
Trace 3: (gate) Volts/Div = 2 V
 Synchronous Rectifier, Q3/Q4
Trace 2: (gate) Volts/Div = 2 V
 Synchronous Rectifier, Q5/Q6
Horizontal Resolution = 1 μ s/div

Figure 22. Gate Voltages

15.6 Efficiency

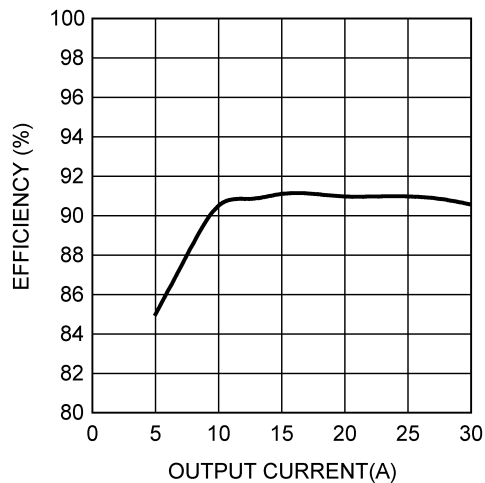


Figure 23. Efficiency

Bill of Materials

Item		Part Number	Description	Value
C	1	C4532X7R2A225M	CAPACITOR, CER, TDK	2.2 μ , 100 V
C	2	C4532X7R2A225M	CAPACITOR, CER, TDK	2.2 μ , 100 V
C	3	C4532X7R2A225M	CAPACITOR, CER, TDK	2.2 μ , 100 V
C	4	C4532X7R2A225M	CAPACITOR, CER, TDK	2.2 v, 100 V
C	5	APXE4R0ARA681MH80G	CAPACITOR, CER, United Chemi-Con	680 μ , 4 V
C	6	C1210C476M8PACTU	CAPACITOR,CER,KEMET	47 μ , 10 V
C	7	C1210C476M8PACTU	CAPACITOR,CER,KEMET	47 μ , 10 V
C	8	C0603C471J5GAC	CAPACITOR, CER, KEMET	470 p, 50 V
C	9	C0603C103K3RAC	CAPACITOR, CER, KEMET	0.01 μ , 25 V
C	10	C0603C223K3RAC	CAPACITOR, CER, KEMET	0.022 μ , 25 V
C	11	C0603C473K3RAC	CAPACITOR, CER, KEMET	0.047 μ , 25 V
C	12	C1608X7R1H104K	CAPACITOR, CER, TDK	0.1 μ , 50 V
C	13	C0603C101J5GAC	CAPACITOR, CER, KEMET	100 p, 50 V
C	14	C0603C104K3RAC	CAPACITOR, CER, KEMET	0.1 μ , 25 V
C	15	C3216X7R2E104K	CAPACITOR, CER, TDK	0.1 μ , 250 V
C	16	C1608X7R1H104K	CAPACITOR, CER, TDK	0.1 μ , 50 V
C	17	C1210C476M8PACTU	CAPACITOR, CER, TDK	47 μ , 10 V
C	18	C1210C476M8PACTU	CAPACITOR, CER, TDK	47 μ , 10 V
C	19	C0603C221J3GAC	CAPACITOR, CER, KEMET	220 p, 25 V
C	20	OPEN		
C	21	C3216X7R2E104K	CAPACITOR, CER, TDK	0.1 μ , 250 V
C	22	C1608X7R1H104K	CAPACITOR, CER, KEMET	0.1 μ , 25 V
C	23	C0603C103K3RAC	CAPACITOR, CER, KEMET	0.01 μ , 25 V
C	24	C0603C473K3RAC	CAPACITOR, CER, KEMET	0.047 μ , 25 V
C	25	C0603C473K3RAC	CAPACITOR, CER, KEMET	0.047 μ , 25 V
C	26	C4532X7R3D222K	CAPACITOR, CER, TDK	2200 p, 2000 V
C	27	GRM188R61E105KA12D	CAPACITOR, CER, MURATA	1.0 μ , 25 V
C	28	C0603C224K3RAC	CAPACITOR, CER, TDK	0.22 μ , 25 V
C	29	C0603C102K3RAC	CAPACITOR, CER, KEMET	1000 p, 25 V
C	30	C0603C102K3RAC	CAPACITOR, CER, KEMET	1000 p, 25 V
C	31	C0805C471J5GAC	CAPACITOR, CER, KEMET	470 p, 50 V
C	32	C0805C471F5GAC	CAPACITOR, CER, KEMET	470 p, 50 V
C	33	C2012X7R2A332K	CAPACITOR, CER, TDK	3300 p, 100 V
C	34	OPEN		
C	71	C4532X7R1E156M	CAPACITOR, CER, TDK	15 μ , 25 V
C	35	C0603C102K3RAC	CAPACITOR, CER, KEMET	1000 p, 25 V
C	36	GRM188R61E105KA12D	CAPACITOR, CER, MURATA	1.0 u, 25 V
D	1	ZHCS350	DIODE, SIGNAL, ZETEX	40 V, 500 mA
D	2	ZHCS350	DIODE, SIGNAL, ZETEX	40 V, 500 mA
D	3	ZHCS350	DIODE, SIGNAL, ZETEX	40 V, 500 mA
D	4	ZHCS350	DIODE, SIGNAL, ZETEX	40 V, 500 mA
D	5	ZHCS350	DIODE, SIGNAL, ZETEX	40 V, 500 mA
D	6	CMD2836	DIODE, DUAL SIGNAL, CENTRAL	120 V, 200 mA
D	7	ZHCS350	DIODE, SIGNAL, ZETEX	40 V, 500 mA
D	8	ZHCS350	DIODE, SIGNAL, ZETEX	40 V, 500 mA
D	9	ZHCS350	DIODE, SIGNAL, ZETEX	40 V, 500 mA

Item	Part Number	Description	Value	
J	1	3104-2-00-01-00-00-08-0	PIN, BRICK, 0.040D, MILL-MAX	MOUNT ON SOLDER SIDE OF PCB
J	2	3104-2-00-01-00-00-08-0	PIN, BRICK, 0.040D, MILL-MAX	MOUNT ON SOLDER SIDE OF PCB
J	4	3104-2-00-01-00-00-08-0	PIN, BRICK, 0.040D, MILL-MAX	MOUNT ON SOLDER SIDE OF PCB
J	5	3231-2-00-01-00-00-08-0	PIN, BRICK, 0.080D, MILL-MAX	MOUNT ON SOLDER SIDE OF PCB
J	6	3104-2-00-01-00-00-08-0	PIN, BRICK, 0.040D, MILL-MAX	MOUNT ON SOLDER SIDE OF PCB
J	8	3104-2-00-01-00-00-08-0	PIN, BRICK, 0.040D, MILL-MAX	MOUNT ON SOLDER SIDE OF PCB
J	9	3231-2-00-01-00-00-08-0	PIN, BRICK, 0.080D, MILL-MAX	MOUNT ON SOLDER SIDE OF PCB
L	1	SRU1048-6R8Y	INPUT CHOKE, Bourns	6.8 uH, 4.8 Arms
L	2	7443556130	CHOKE, WURTH	1.2 uH, 37 A
L	3	SDR0503-332JL	CHOKE, Bourns	3.3 mH, 0.045 A
Q	1	SI7846DP	N-FET, SILICONIX	150 V, 50 m
Q	2	SI3475	P-FET, IR	200 V, 1.6
Q	3	SI7866DP	FET, SILICONIX	20 V, 3 m
Q	4	SI7866DP	FET, SILICONIX	20 V, 3 m
Q	5	SI7866DP	FET, SILICONIX	20 V, 3 m
Q	6	SI7866DP	FET, SILICONIX	20 V, 3 m
Q	7	MMBT2907A	Bipolar, PNP, 60 V, 600 mA	
Q	8	QSX6	Bipolar, NPN, 30 V, 1.5 A	ROHM
Q	9	2N7002VA	FET, N_Channel, Fairchild	60 V 280 mA
Q	10	MMBT2907A	Bipolar, PNP, 60 V, 600 mA	
R	1	CRCW120610R0F	RESISTOR	10
R	2	CRCW08059093F	RESISTOR	90.9 k
R	3	CRCW06032002F	RESISTOR	20 k
R	4	CRCW06034992F	RESISTOR	49.9 k
R	5	CRCW06034991F	RESISTOR	4.99 k
R	6	CRCW08059093F	RESISTOR	90.9 K
R	7	CRCW06031001F	RESISTOR	1 K
R	8	CRCW06036191F	RESISTOR	6.19 K
R	9	CRCW06035R60F	RESISTOR	5.6
R	10	CRCW060352302F	RESISTOR	52.3 K
R	11	CRCW06032002F	RESISTOR	20 K
R	12	CRCW06031001F	RESISTOR	1 K
R	13	CRCW06035R60F	RESISTOR	5.6
R	14	CRCW120649R9F	RESISTOR	49.9
R	15	CRCW06036R34F	RESISTOR	6.34
R	16	OPEN		
R	17	CRCW06032200F	RESISTOR	220
R	18	CRCW06031002F	RESISTOR	10 k
R	19	CRCW06034R70F	RESISTOR	4.7
R	20	SHORT (0 Ω)	RESISTOR, 0 Ω	0 Ω
R	21	CRCW06031001F	RESISTOR	1 K
R	22	CRCW06032000F	RESISTOR	200
R	23	CRCW06031002F	RESISTOR	10 k
R	24	CRCW06031502F	RESISTOR	15 k

Item		Part Number	Description	Value
R	25	CRCW06032492F	RESISTOR	24.9 k
R	26	CRCW060310R0F	RESISTOR	10
R	27	CRCW060310R0F	RESISTOR	10
R	28	CRCW06031001F	RESISTOR	1 k
R	29	CRCW06032002F	RESISTOR	20.0 k
R	30	CRCW06031002F	RESISTOR	10.0 k
R	31	CRCW06034990F	RESISTOR	499
R	32	OPEN		
R	33	SHORT (0 Ω)	RESISTOR, 0 Ω	0 Ω
R	34	CRCW1218110ROFKEK	RESISTOR	10, 1 W
R	35	CRCW1218110ROFKEK	RESISTOR	10, 1 W
R	36	CRCW06031001F	RESISTOR	1 k
R	37	CRCW06033011F	RESISTOR	3.01 k
R	38	CRCW06034990F	RESISTOR	499
R	39	CRCW06034702F	RESISTOR	47 k
R	40	CRCW06034702F	RESISTOR	47 k
R	41	CRCW06034702F	RESISTOR	47 k
R	42	CRCW06031002F	RESISTOR	10 k
R	T1	NTCG164BH103H	NTC, 10k@25°C, 1k@100°C, TDK	10 k
T	1	HA4000-AI	POWER XFMR W/AUX, COILCRAFT	12:2
T	2	DA2319-ALB	Gate Drive, Coilcraft	
T	3	P8208T, Pulse	CURRENT XFR, PULSE ENG	100:1
U	1	LM5027	CONTROLLER, TEXAS INSTRUMENTS	
U	2	PS2811-1M	OPTO-COUPLER, NEC	
U	3	LM8261	OPAMP, TEXAS INSTRUMENTS	
U	4	LM4040	REFERENCE, TEXAS INSTRUMENTS	
U	5	LM4041	REFERENCE, TEXAS INSTRUMENTS	
Z	2	MM5Z3V6	DIODE, ZENER 3.6 V	Fairchild

16 Printed Circuit Layout

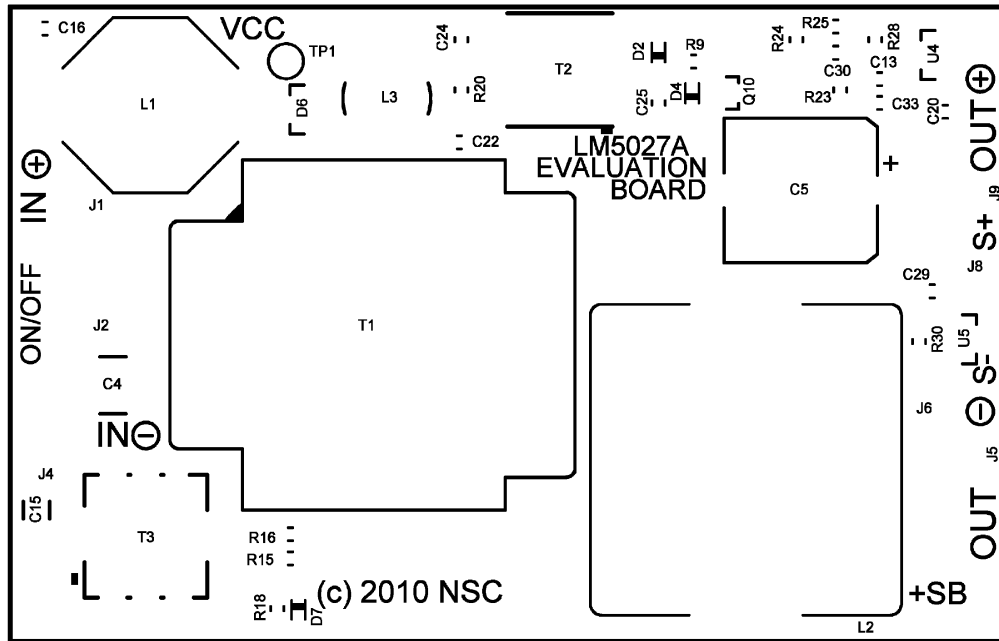


Figure 24. Top Assembly Layer

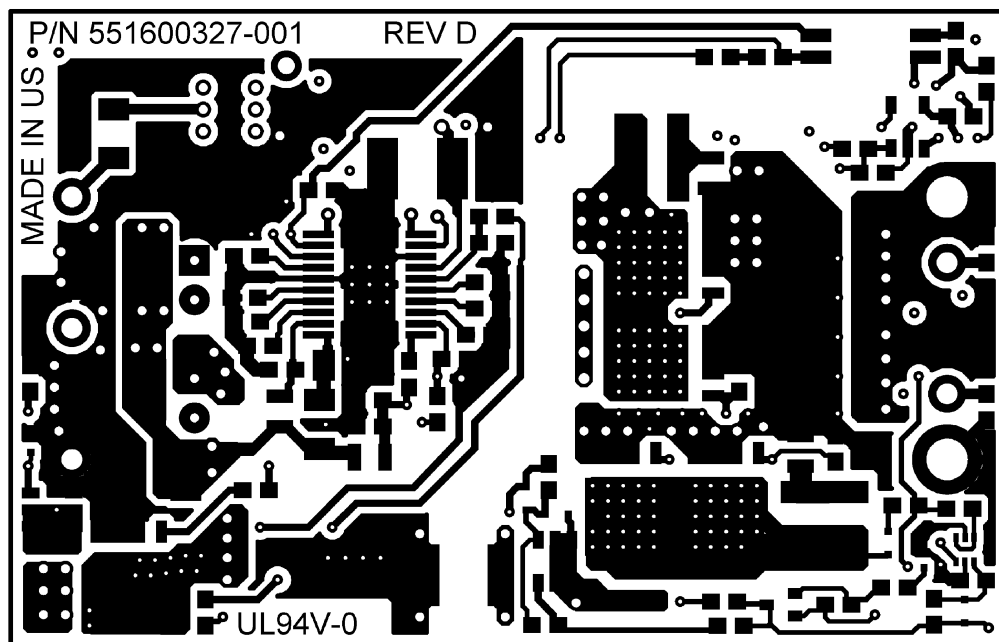


Figure 25. Bottom Layer



Figure 26. Bottom Silk Layer

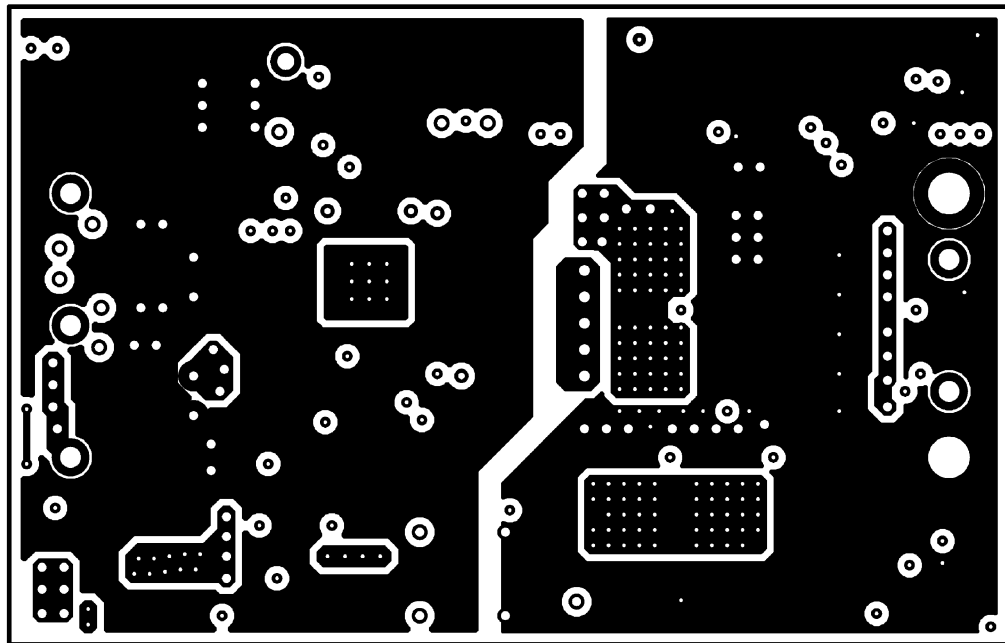


Figure 27. Mid 1 Layer

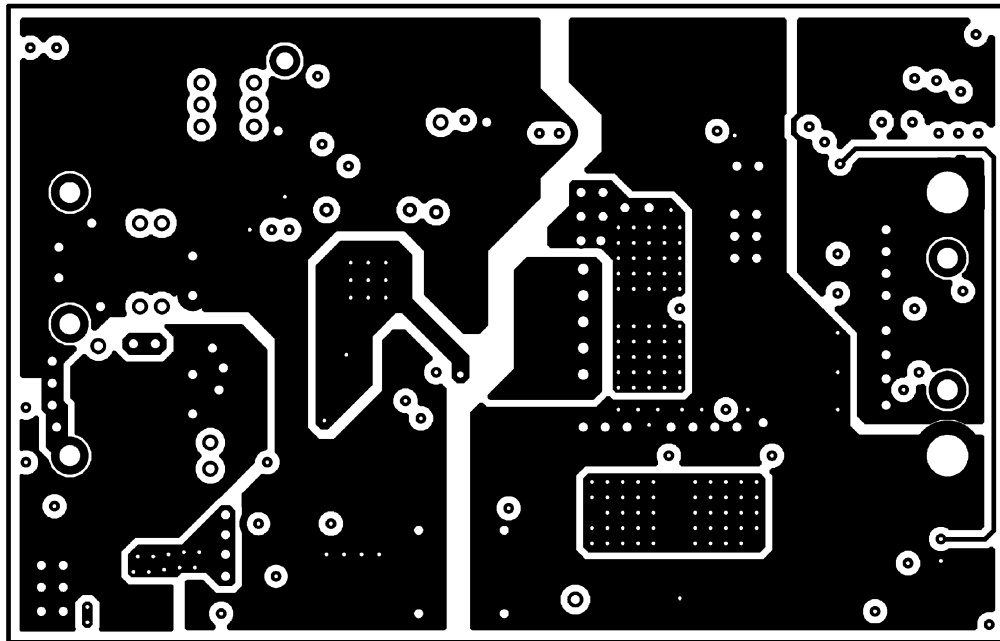


Figure 28. Mid 2 Layer

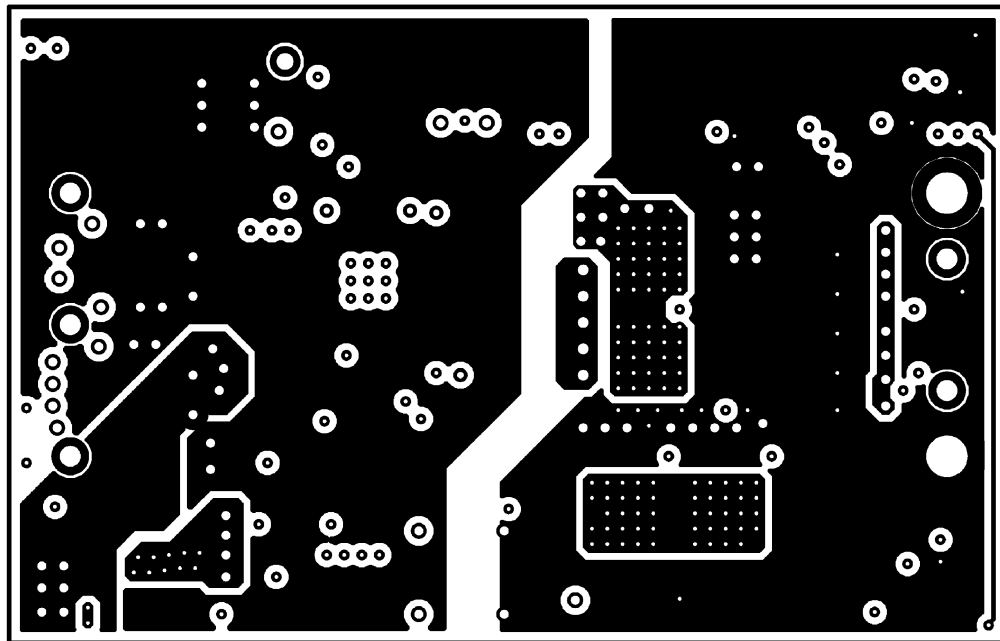


Figure 29. Mid 3 Layer

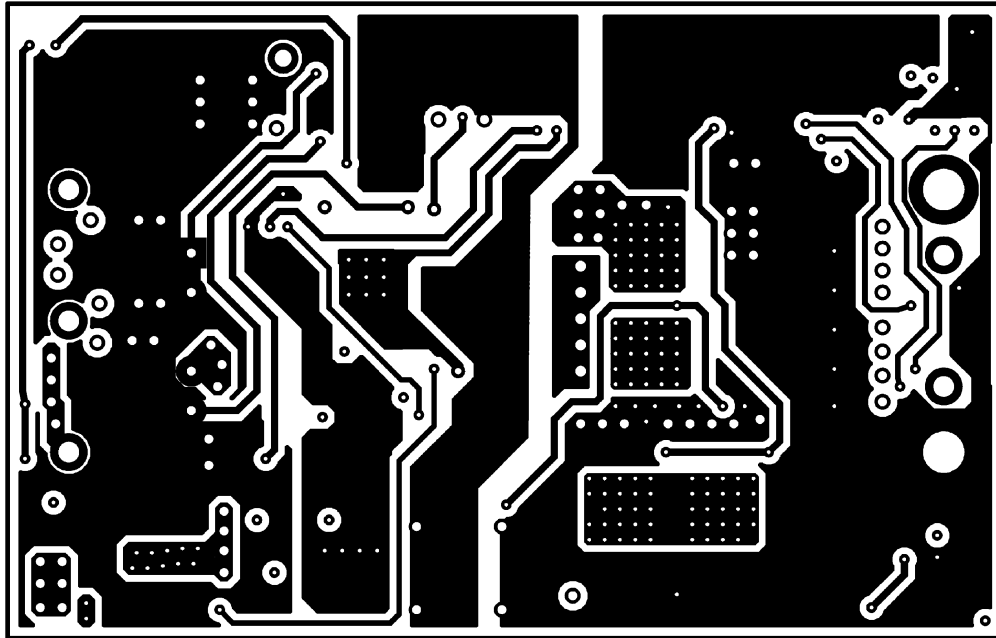


Figure 30. Mid 4 Layer

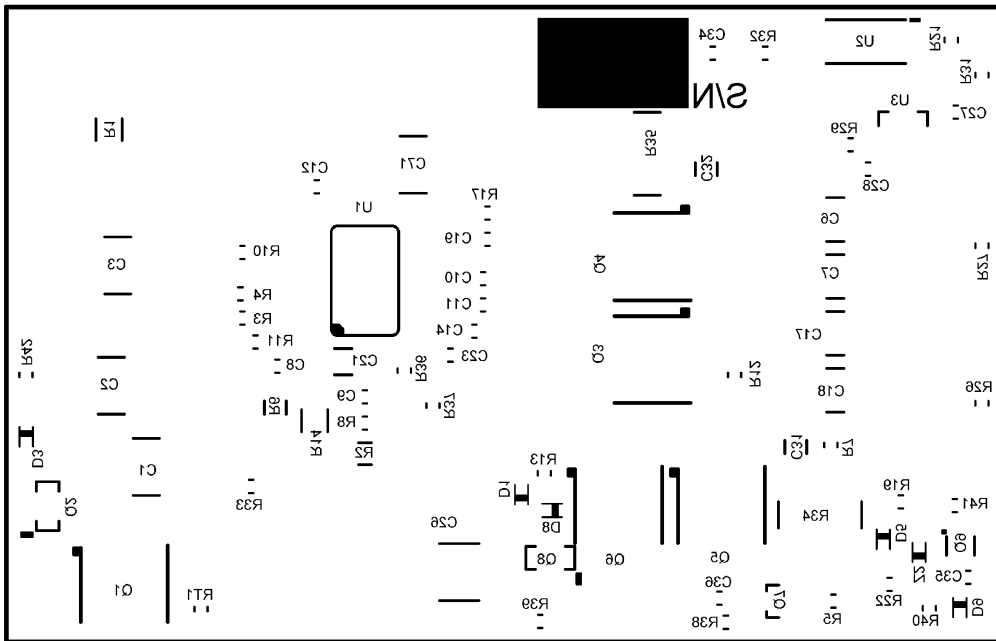


Figure 31. Bottom Assembly Layer

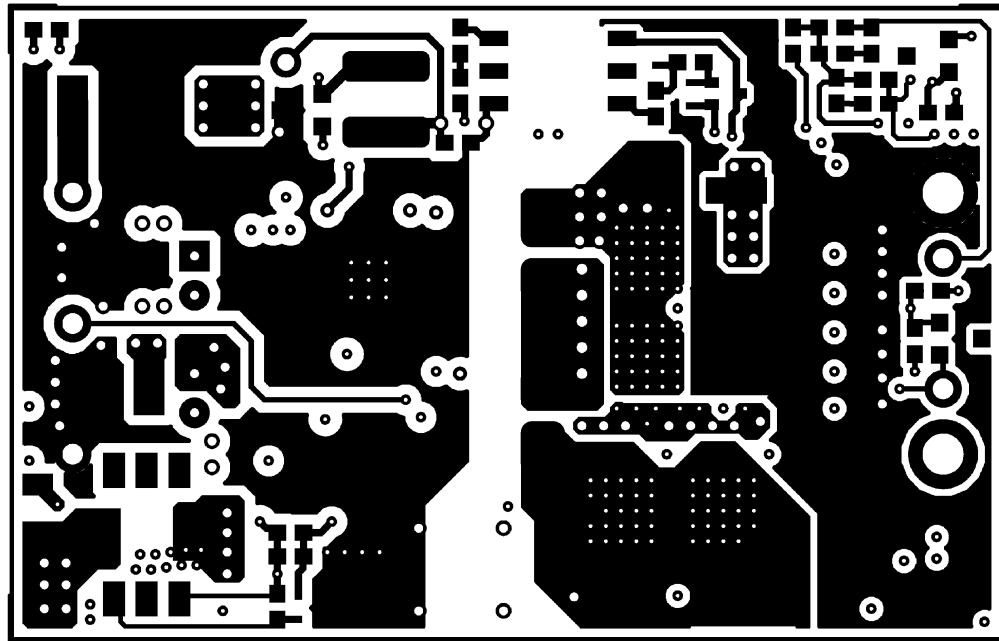


Figure 32. Top Layer

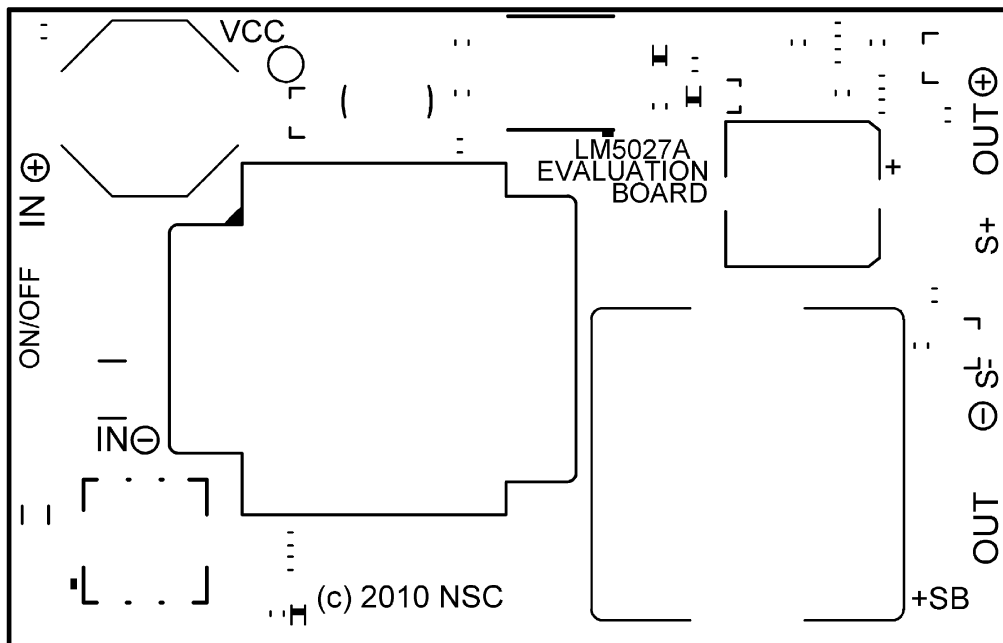


Figure 33. Top Silk Layer

17 Application Schematic

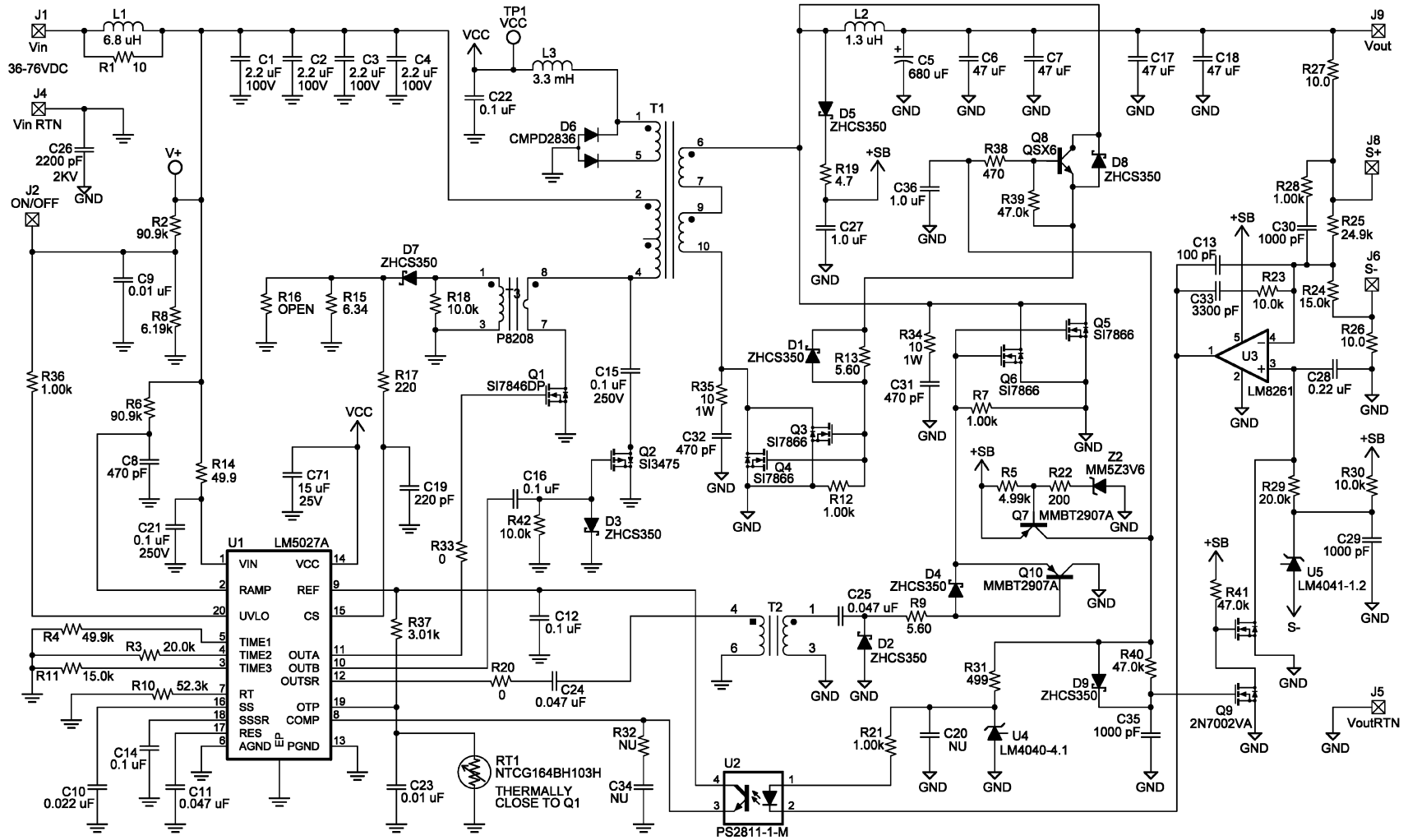


Figure 34. Application Schematic: Input 36-76, Voutput 6.3 A, 30 A

Revision History

Changes from A Revision (May 2013) to B Revision	Page
• Changed Top Layer Assy to Bottom Assy, since Top was in twice.	22

NOTE: Page numbers for previous revisions may differ from page numbers in the current version.

STANDARD TERMS AND CONDITIONS FOR EVALUATION MODULES

1. *Delivery:* TI delivers TI evaluation boards, kits, or modules, including any accompanying demonstration software, components, or documentation (collectively, an "EVM" or "EVMs") to the User ("User") in accordance with the terms and conditions set forth herein. Acceptance of the EVM is expressly subject to the following terms and conditions.
 - 1.1 EVMs are intended solely for product or software developers for use in a research and development setting to facilitate feasibility evaluation, experimentation, or scientific analysis of TI semiconductor products. EVMs have no direct function and are not finished products. EVMs shall not be directly or indirectly assembled as a part or subassembly in any finished product. For clarification, any software or software tools provided with the EVM ("Software") shall not be subject to the terms and conditions set forth herein but rather shall be subject to the applicable terms and conditions that accompany such Software
 - 1.2 EVMs are not intended for consumer or household use. EVMs may not be sold, sublicensed, leased, rented, loaned, assigned, or otherwise distributed for commercial purposes by Users, in whole or in part, or used in any finished product or production system.
2. *Limited Warranty and Related Remedies/Disclaimers:*
 - 2.1 These terms and conditions do not apply to Software. The warranty, if any, for Software is covered in the applicable Software License Agreement.
 - 2.2 TI warrants that the TI EVM will conform to TI's published specifications for ninety (90) days after the date TI delivers such EVM to User. Notwithstanding the foregoing, TI shall not be liable for any defects that are caused by neglect, misuse or mistreatment by an entity other than TI, including improper installation or testing, or for any EVMs that have been altered or modified in any way by an entity other than TI. Moreover, TI shall not be liable for any defects that result from User's design, specifications or instructions for such EVMs. Testing and other quality control techniques are used to the extent TI deems necessary or as mandated by government requirements. TI does not test all parameters of each EVM.
 - 2.3 If any EVM fails to conform to the warranty set forth above, TI's sole liability shall be at its option to repair or replace such EVM, or credit User's account for such EVM. TI's liability under this warranty shall be limited to EVMs that are returned during the warranty period to the address designated by TI and that are determined by TI not to conform to such warranty. If TI elects to repair or replace such EVM, TI shall have a reasonable time to repair such EVM or provide replacements. Repaired EVMs shall be warranted for the remainder of the original warranty period. Replaced EVMs shall be warranted for a new full ninety (90) day warranty period.
3. *Regulatory Notices:*
 - 3.1 *United States*
 - 3.1.1 *Notice applicable to EVMs not FCC-Approved:*

This kit is designed to allow product developers to evaluate electronic components, circuitry, or software associated with the kit to determine whether to incorporate such items in a finished product and software developers to write software applications for use with the end product. This kit is not a finished product and when assembled may not be resold or otherwise marketed unless all required FCC equipment authorizations are first obtained. Operation is subject to the condition that this product not cause harmful interference to licensed radio stations and that this product accept harmful interference. Unless the assembled kit is designed to operate under part 15, part 18 or part 95 of this chapter, the operator of the kit must operate under the authority of an FCC license holder or must secure an experimental authorization under part 5 of this chapter.
 - 3.1.2 *For EVMs annotated as FCC – FEDERAL COMMUNICATIONS COMMISSION Part 15 Compliant:*

CAUTION

This device complies with part 15 of the FCC Rules. Operation is subject to the following two conditions: (1) This device may not cause harmful interference, and (2) this device must accept any interference received, including interference that may cause undesired operation.

Changes or modifications not expressly approved by the party responsible for compliance could void the user's authority to operate the equipment.

FCC Interference Statement for Class A EVM devices

NOTE: This equipment has been tested and found to comply with the limits for a Class A digital device, pursuant to part 15 of the FCC Rules. These limits are designed to provide reasonable protection against harmful interference when the equipment is operated in a commercial environment. This equipment generates, uses, and can radiate radio frequency energy and, if not installed and used in accordance with the instruction manual, may cause harmful interference to radio communications. Operation of this equipment in a residential area is likely to cause harmful interference in which case the user will be required to correct the interference at his own expense.

FCC Interference Statement for Class B EVM devices

NOTE: This equipment has been tested and found to comply with the limits for a Class B digital device, pursuant to part 15 of the FCC Rules. These limits are designed to provide reasonable protection against harmful interference in a residential installation. This equipment generates, uses and can radiate radio frequency energy and, if not installed and used in accordance with the instructions, may cause harmful interference to radio communications. However, there is no guarantee that interference will not occur in a particular installation. If this equipment does cause harmful interference to radio or television reception, which can be determined by turning the equipment off and on, the user is encouraged to try to correct the interference by one or more of the following measures:

- Reorient or relocate the receiving antenna.
- Increase the separation between the equipment and receiver.
- Connect the equipment into an outlet on a circuit different from that to which the receiver is connected.
- Consult the dealer or an experienced radio/TV technician for help.

3.2 Canada

3.2.1 For EVMs issued with an Industry Canada Certificate of Conformance to RSS-210

Concerning EVMs Including Radio Transmitters:

This device complies with Industry Canada license-exempt RSS standard(s). Operation is subject to the following two conditions: (1) this device may not cause interference, and (2) this device must accept any interference, including interference that may cause undesired operation of the device.

Concernant les EVMs avec appareils radio:

Le présent appareil est conforme aux CNR d'Industrie Canada applicables aux appareils radio exempts de licence. L'exploitation est autorisée aux deux conditions suivantes: (1) l'appareil ne doit pas produire de brouillage, et (2) l'utilisateur de l'appareil doit accepter tout brouillage radioélectrique subi, même si le brouillage est susceptible d'en compromettre le fonctionnement.

Concerning EVMs Including Detachable Antennas:

Under Industry Canada regulations, this radio transmitter may only operate using an antenna of a type and maximum (or lesser) gain approved for the transmitter by Industry Canada. To reduce potential radio interference to other users, the antenna type and its gain should be so chosen that the equivalent isotropically radiated power (e.i.r.p.) is not more than that necessary for successful communication. This radio transmitter has been approved by Industry Canada to operate with the antenna types listed in the user guide with the maximum permissible gain and required antenna impedance for each antenna type indicated. Antenna types not included in this list, having a gain greater than the maximum gain indicated for that type, are strictly prohibited for use with this device.

Concernant les EVMs avec antennes détachables

Conformément à la réglementation d'Industrie Canada, le présent émetteur radio peut fonctionner avec une antenne d'un type et d'un gain maximal (ou inférieur) approuvé pour l'émetteur par Industrie Canada. Dans le but de réduire les risques de brouillage radioélectrique à l'intention des autres utilisateurs, il faut choisir le type d'antenne et son gain de sorte que la puissance isotrope rayonnée équivalente (p.i.r.e.) ne dépasse pas l'intensité nécessaire à l'établissement d'une communication satisfaisante. Le présent émetteur radio a été approuvé par Industrie Canada pour fonctionner avec les types d'antenne énumérés dans le manuel d'usage et ayant un gain admissible maximal et l'impédance requise pour chaque type d'antenne. Les types d'antenne non inclus dans cette liste, ou dont le gain est supérieur au gain maximal indiqué, sont strictement interdits pour l'exploitation de l'émetteur.

3.3 Japan

3.3.1 *Notice for EVMs delivered in Japan:* Please see http://www.tij.co.jp/lstds/ti_ja/general/eStore/notice_01.page 日本国内に輸入される評価用キット、ボードについては、次のところをご覧ください。
http://www.tij.co.jp/lstds/ti_ja/general/eStore/notice_01.page

3.3.2 *Notice for Users of EVMs Considered "Radio Frequency Products" in Japan:* EVMs entering Japan may not be certified by TI as conforming to Technical Regulations of Radio Law of Japan.

If User uses EVMs in Japan, not certified to Technical Regulations of Radio Law of Japan, User is required by Radio Law of Japan to follow the instructions below with respect to EVMs:

1. Use EVMs in a shielded room or any other test facility as defined in the notification #173 issued by Ministry of Internal Affairs and Communications on March 28, 2006, based on Sub-section 1.1 of Article 6 of the Ministry's Rule for Enforcement of Radio Law of Japan,
2. Use EVMs only after User obtains the license of Test Radio Station as provided in Radio Law of Japan with respect to EVMs, or
3. Use of EVMs only after User obtains the Technical Regulations Conformity Certification as provided in Radio Law of Japan with respect to EVMs. Also, do not transfer EVMs, unless User gives the same notice above to the transferee. Please note that if User does not follow the instructions above, User will be subject to penalties of Radio Law of Japan.

【無線電波を送信する製品の開発キットをお使いになる際の注意事項】 開発キットの中には技術基準適合証明を受けていないものがあります。技術適合証明を受けていないものご使用に際しては、電波法遵守のため、以下のいずれかの措置を取っていただく必要がありますのでご注意ください。

1. 電波法施行規則第6条第1項第1号に基づく平成18年3月28日総務省告示第173号で定められた電波暗室等の試験設備でご使用いただく。
2. 実験局の免許を取得後ご使用いただく。
3. 技術基準適合証明を取得後ご使用いただく。

なお、本製品は、上記の「ご使用にあたっての注意」を譲渡先、移転先に通知しない限り、譲渡、移転できないものとします。

上記を遵守頂けない場合は、電波法の罰則が適用される可能性があることをご留意ください。日本テキサス・インスツルメンツ株式会社

東京都新宿区西新宿 6 丁目 2 4 番 1 号

西新宿三井ビル

3.3.3 *Notice for EVMs for Power Line Communication:* Please see http://www.tij.co.jp/llds/ti_ja/general/eStore/notice_02.page

電力線搬送波通信についての開発キットをお使いになる際の注意事項については、次のところをご覧ください。http://www.tij.co.jp/llds/ti_ja/general/eStore/notice_02.page

4 *EVM Use Restrictions and Warnings:*

4.1 EVMS ARE NOT FOR USE IN FUNCTIONAL SAFETY AND/OR SAFETY CRITICAL EVALUATIONS, INCLUDING BUT NOT LIMITED TO EVALUATIONS OF LIFE SUPPORT APPLICATIONS.

4.2 User must read and apply the user guide and other available documentation provided by TI regarding the EVM prior to handling or using the EVM, including without limitation any warning or restriction notices. The notices contain important safety information related to, for example, temperatures and voltages.

4.3 *Safety-Related Warnings and Restrictions:*

4.3.1 User shall operate the EVM within TI's recommended specifications and environmental considerations stated in the user guide, other available documentation provided by TI, and any other applicable requirements and employ reasonable and customary safeguards. Exceeding the specified performance ratings and specifications (including but not limited to input and output voltage, current, power, and environmental ranges) for the EVM may cause personal injury or death, or property damage. If there are questions concerning performance ratings and specifications, User should contact a TI field representative prior to connecting interface electronics including input power and intended loads. Any loads applied outside of the specified output range may also result in unintended and/or inaccurate operation and/or possible permanent damage to the EVM and/or interface electronics. Please consult the EVM user guide prior to connecting any load to the EVM output. If there is uncertainty as to the load specification, please contact a TI field representative. During normal operation, even with the inputs and outputs kept within the specified allowable ranges, some circuit components may have elevated case temperatures. These components include but are not limited to linear regulators, switching transistors, pass transistors, current sense resistors, and heat sinks, which can be identified using the information in the associated documentation. When working with the EVM, please be aware that the EVM may become very warm.

4.3.2 EVMs are intended solely for use by technically qualified, professional electronics experts who are familiar with the dangers and application risks associated with handling electrical mechanical components, systems, and subsystems. User assumes all responsibility and liability for proper and safe handling and use of the EVM by User or its employees, affiliates, contractors or designees. User assumes all responsibility and liability to ensure that any interfaces (electronic and/or mechanical) between the EVM and any human body are designed with suitable isolation and means to safely limit accessible leakage currents to minimize the risk of electrical shock hazard. User assumes all responsibility and liability for any improper or unsafe handling or use of the EVM by User or its employees, affiliates, contractors or designees.

4.4 User assumes all responsibility and liability to determine whether the EVM is subject to any applicable international, federal, state, or local laws and regulations related to User's handling and use of the EVM and, if applicable, User assumes all responsibility and liability for compliance in all respects with such laws and regulations. User assumes all responsibility and liability for proper disposal and recycling of the EVM consistent with all applicable international, federal, state, and local requirements.

5. *Accuracy of Information:* To the extent TI provides information on the availability and function of EVMs, TI attempts to be as accurate as possible. However, TI does not warrant the accuracy of EVM descriptions, EVM availability or other information on its websites as accurate, complete, reliable, current, or error-free.

6. *Disclaimers:*
- 6.1 EXCEPT AS SET FORTH ABOVE, EVMS AND ANY WRITTEN DESIGN MATERIALS PROVIDED WITH THE EVM (AND THE DESIGN OF THE EVM ITSELF) ARE PROVIDED "AS IS" AND "WITH ALL FAULTS." TI DISCLAIMS ALL OTHER WARRANTIES, EXPRESS OR IMPLIED, REGARDING SUCH ITEMS, INCLUDING BUT NOT LIMITED TO ANY IMPLIED WARRANTIES OF MERCHANTABILITY OR FITNESS FOR A PARTICULAR PURPOSE OR NON-INFRINGEMENT OF ANY THIRD PARTY PATENTS, COPYRIGHTS, TRADE SECRETS OR OTHER INTELLECTUAL PROPERTY RIGHTS.
- 6.2 EXCEPT FOR THE LIMITED RIGHT TO USE THE EVM SET FORTH HEREIN, NOTHING IN THESE TERMS AND CONDITIONS SHALL BE CONSTRUED AS GRANTING OR CONFERRING ANY RIGHTS BY LICENSE, PATENT, OR ANY OTHER INDUSTRIAL OR INTELLECTUAL PROPERTY RIGHT OF TI, ITS SUPPLIERS/LICENSORS OR ANY OTHER THIRD PARTY, TO USE THE EVM IN ANY FINISHED END-USER OR READY-TO-USE FINAL PRODUCT, OR FOR ANY INVENTION, DISCOVERY OR IMPROVEMENT MADE, CONCEIVED OR ACQUIRED PRIOR TO OR AFTER DELIVERY OF THE EVM.
7. *USER'S INDEMNITY OBLIGATIONS AND REPRESENTATIONS.* USER WILL DEFEND, INDEMNIFY AND HOLD TI, ITS LICENSORS AND THEIR REPRESENTATIVES HARMLESS FROM AND AGAINST ANY AND ALL CLAIMS, DAMAGES, LOSSES, EXPENSES, COSTS AND LIABILITIES (COLLECTIVELY, "CLAIMS") ARISING OUT OF OR IN CONNECTION WITH ANY HANDLING OR USE OF THE EVM THAT IS NOT IN ACCORDANCE WITH THESE TERMS AND CONDITIONS. THIS OBLIGATION SHALL APPLY WHETHER CLAIMS ARISE UNDER STATUTE, REGULATION, OR THE LAW OF TORT, CONTRACT OR ANY OTHER LEGAL THEORY, AND EVEN IF THE EVM FAILS TO PERFORM AS DESCRIBED OR EXPECTED.
8. *Limitations on Damages and Liability:*
- 8.1 *General Limitations.* IN NO EVENT SHALL TI BE LIABLE FOR ANY SPECIAL, COLLATERAL, INDIRECT, PUNITIVE, INCIDENTAL, CONSEQUENTIAL, OR EXEMPLARY DAMAGES IN CONNECTION WITH OR ARISING OUT OF THESE TERMS AND CONDITIONS OR THE USE OF THE EVMS PROVIDED HEREUNDER, REGARDLESS OF WHETHER TI HAS BEEN ADVISED OF THE POSSIBILITY OF SUCH DAMAGES. EXCLUDED DAMAGES INCLUDE, BUT ARE NOT LIMITED TO, COST OF REMOVAL OR REINSTALLATION, ANCILLARY COSTS TO THE PROCUREMENT OF SUBSTITUTE GOODS OR SERVICES, RETESTING, OUTSIDE COMPUTER TIME, LABOR COSTS, LOSS OF GOODWILL, LOSS OF PROFITS, LOSS OF SAVINGS, LOSS OF USE, LOSS OF DATA, OR BUSINESS INTERRUPTION. NO CLAIM, SUIT OR ACTION SHALL BE BROUGHT AGAINST TI MORE THAN ONE YEAR AFTER THE RELATED CAUSE OF ACTION HAS OCCURRED.
- 8.2 *Specific Limitations.* IN NO EVENT SHALL TI'S AGGREGATE LIABILITY FROM ANY WARRANTY OR OTHER OBLIGATION ARISING OUT OF OR IN CONNECTION WITH THESE TERMS AND CONDITIONS, OR ANY USE OF ANY TI EVM PROVIDED HEREUNDER, EXCEED THE TOTAL AMOUNT PAID TO TI FOR THE PARTICULAR UNITS SOLD UNDER THESE TERMS AND CONDITIONS WITH RESPECT TO WHICH LOSSES OR DAMAGES ARE CLAIMED. THE EXISTENCE OF MORE THAN ONE CLAIM AGAINST THE PARTICULAR UNITS SOLD TO USER UNDER THESE TERMS AND CONDITIONS SHALL NOT ENLARGE OR EXTEND THIS LIMIT.
9. *Return Policy.* Except as otherwise provided, TI does not offer any refunds, returns, or exchanges. Furthermore, no return of EVM(s) will be accepted if the package has been opened and no return of the EVM(s) will be accepted if they are damaged or otherwise not in a resalable condition. If User feels it has been incorrectly charged for the EVM(s) it ordered or that delivery violates the applicable order, User should contact TI. All refunds will be made in full within thirty (30) working days from the return of the components(s), excluding any postage or packaging costs.
10. *Governing Law:* These terms and conditions shall be governed by and interpreted in accordance with the laws of the State of Texas, without reference to conflict-of-laws principles. User agrees that non-exclusive jurisdiction for any dispute arising out of or relating to these terms and conditions lies within courts located in the State of Texas and consents to venue in Dallas County, Texas. Notwithstanding the foregoing, any judgment may be enforced in any United States or foreign court, and TI may seek injunctive relief in any United States or foreign court.

Mailing Address: Texas Instruments, Post Office Box 655303, Dallas, Texas 75265
Copyright © 2015, Texas Instruments Incorporated

IMPORTANT NOTICE

Texas Instruments Incorporated and its subsidiaries (TI) reserve the right to make corrections, enhancements, improvements and other changes to its semiconductor products and services per JESD46, latest issue, and to discontinue any product or service per JESD48, latest issue. Buyers should obtain the latest relevant information before placing orders and should verify that such information is current and complete. All semiconductor products (also referred to herein as "components") are sold subject to TI's terms and conditions of sale supplied at the time of order acknowledgment.

TI warrants performance of its components to the specifications applicable at the time of sale, in accordance with the warranty in TI's terms and conditions of sale of semiconductor products. Testing and other quality control techniques are used to the extent TI deems necessary to support this warranty. Except where mandated by applicable law, testing of all parameters of each component is not necessarily performed.

TI assumes no liability for applications assistance or the design of Buyers' products. Buyers are responsible for their products and applications using TI components. To minimize the risks associated with Buyers' products and applications, Buyers should provide adequate design and operating safeguards.

TI does not warrant or represent that any license, either express or implied, is granted under any patent right, copyright, mask work right, or other intellectual property right relating to any combination, machine, or process in which TI components or services are used. Information published by TI regarding third-party products or services does not constitute a license to use such products or services or a warranty or endorsement thereof. Use of such information may require a license from a third party under the patents or other intellectual property of the third party, or a license from TI under the patents or other intellectual property of TI.

Reproduction of significant portions of TI information in TI data books or data sheets is permissible only if reproduction is without alteration and is accompanied by all associated warranties, conditions, limitations, and notices. TI is not responsible or liable for such altered documentation. Information of third parties may be subject to additional restrictions.

Resale of TI components or services with statements different from or beyond the parameters stated by TI for that component or service voids all express and any implied warranties for the associated TI component or service and is an unfair and deceptive business practice. TI is not responsible or liable for any such statements.

Buyer acknowledges and agrees that it is solely responsible for compliance with all legal, regulatory and safety-related requirements concerning its products, and any use of TI components in its applications, notwithstanding any applications-related information or support that may be provided by TI. Buyer represents and agrees that it has all the necessary expertise to create and implement safeguards which anticipate dangerous consequences of failures, monitor failures and their consequences, lessen the likelihood of failures that might cause harm and take appropriate remedial actions. Buyer will fully indemnify TI and its representatives against any damages arising out of the use of any TI components in safety-critical applications.

In some cases, TI components may be promoted specifically to facilitate safety-related applications. With such components, TI's goal is to help enable customers to design and create their own end-product solutions that meet applicable functional safety standards and requirements. Nonetheless, such components are subject to these terms.

No TI components are authorized for use in FDA Class III (or similar life-critical medical equipment) unless authorized officers of the parties have executed a special agreement specifically governing such use.

Only those TI components which TI has specifically designated as military grade or "enhanced plastic" are designed and intended for use in military/aerospace applications or environments. Buyer acknowledges and agrees that any military or aerospace use of TI components which have **not** been so designated is solely at the Buyer's risk, and that Buyer is solely responsible for compliance with all legal and regulatory requirements in connection with such use.

TI has specifically designated certain components as meeting ISO/TS16949 requirements, mainly for automotive use. In any case of use of non-designated products, TI will not be responsible for any failure to meet ISO/TS16949.

Products

Audio	www.ti.com/audio
Amplifiers	amplifier.ti.com
Data Converters	dataconverter.ti.com
DLP® Products	www.dlp.com
DSP	dsp.ti.com
Clocks and Timers	www.ti.com/clocks
Interface	interface.ti.com
Logic	logic.ti.com
Power Mgmt	power.ti.com
Microcontrollers	microcontroller.ti.com
RFID	www.ti-rfid.com
OMAP Applications Processors	www.ti.com/omap
Wireless Connectivity	www.ti.com/wirelessconnectivity

Applications

Automotive and Transportation	www.ti.com/automotive
Communications and Telecom	www.ti.com/communications
Computers and Peripherals	www.ti.com/computers
Consumer Electronics	www.ti.com/consumer-apps
Energy and Lighting	www.ti.com/energy
Industrial	www.ti.com/industrial
Medical	www.ti.com/medical
Security	www.ti.com/security
Space, Avionics and Defense	www.ti.com/space-avionics-defense
Video and Imaging	www.ti.com/video

TI E2E Community

e2e.ti.com