

## **bq24450EVM**

This user's guide describes the features and operation of the bq24450EVM Evaluation Module (EVM). This EVM assists users in evaluating the bq24450 linear battery charger. The manual includes the bq24450EVM bill of materials, board layout, and schematic.

### **Contents**

1	Introduction .....	2
1.1	EVM Features .....	2
1.2	General Description .....	2
1.3	I/O Description and Jumper Functions .....	2
1.4	Recommended Operating Conditions .....	3
2	Equipment .....	3
2.1	Power Supplies .....	3
2.2	Loads .....	3
2.3	Meters .....	3
3	Equipment Setup .....	3
4	Procedure .....	4
4.1	Pre-charge .....	4
4.2	Max Charge .....	4
4.3	Charge Termination .....	4
4.4	Re-Charge .....	4
5	Functions and Features .....	5
5.1	Changing Output Voltage and Charge Current .....	5
5.2	Options for External Transistor .....	6
5.3	Other Options .....	6
6	PCB Layout Guideline .....	6
7	Bill of Materials, Board Layouts and Schematic .....	7
7.1	Bill of Materials .....	7
7.2	Board Layout .....	8
7.3	Schematic .....	9

### **List of Figures**

1	Original Test Setup for HPA691 (bq24450 EVM).....	3
2	Battery Load Circuit – PR1010-2 .....	4
3	Calculating the Value of $I_{TAPER}$ .....	5
4	Top Assembly Layer .....	8
5	Top PCB Layer .....	8
6	Bottom PCB Layer .....	9
7	bq24450 EVM Schematic .....	9

### **List of Tables**

1	I/O Description.....	2
2	Recommended Operating Conditions .....	3
3	Bill of Materials .....	7

## 1 Introduction

### 1.1 EVM Features

- Evaluation module for bq24450 (HPA691)
- Charge controller for lead-acid batteries
- Constant current and constant voltage modes
- Accommodates external transistor in DPAK or TO-220 package
- Programmable charge current
- Pre-Charge for deeply discharged batteries

### 1.2 General Description

The bq24450 contains all the necessary circuitry to optimally control the charging of lead-acid batteries. The IC controls the charging current as well as the charging voltage to safely and efficiently charge the battery, maximizing battery capacity and life. Depending on the application, the IC can be configured as a simple constant-voltage float charge controller or a dual-voltage float-cum-boost charge controller.

The built-in precision voltage reference is especially temperature-compensated to track the characteristics of lead-acid cells, and maintains optimum charging voltage over an extended temperature range without using any external components. The low current consumption of the IC allows for accurate temperature monitoring by minimizing self-heating effects.

The IC can support a wide range of battery capacities and charging currents, limited only by the selection of the external pass transistor. The versatile driver for the external pass transistor provides at least 25mA of base drive.

In addition to the voltage- and current-regulating amplifiers, the IC features comparators that monitor the charging voltage and current. These comparators feed into an internal state machine that sequences the charge cycle. Some of these comparator outputs are made available as status signals at external pins of the IC. These status and control pins can be connected to a processor, or they can be connected up in flexible ways for standalone applications.

### 1.3 I/O Description and Jumper Functions

**Table 1. I/O Description**

Header	Description
J1 – Vin	Power Supply Positive
J2 – GND	Power Supply Negative
J3 – GND	Ground
J4 – Vout	Connected to Battery/System Load
J5 – GND	Ground

**Jumper Description** See [Functions and Features](#) section for more information.

- JP1 Connects  $I_{SNSM}$  for current sense for  $I_{TAPER}$ . It can connect  $I_{SNSM}$  to either side of the sense resistor, R4.
- JP2 Connects  $I_{FB}$  for current sense for  $I_{MAX}$ . It can connect  $I_{FB}$  to either side of the sense resistor, R4.
- JP3 Selects the topology for the external transistor. The external transistor can be configured for either Common-Emitter topology or Quasi-Darlington topology.

## 1.4 Recommended Operating Conditions

**Table 2. Recommended Operating Conditions**

Symbol	Description	Min	Typ	Max	Unit
V <sub>in</sub> , J1	Supply Voltage	9.5	10.0	10.5	V
V <sub>out</sub> , J4	Battery Voltage (3-cell lead-acid battery)	4		7.5	V
I <sub>in</sub>	Supply Current	0		0.5	A
I <sub>out</sub>	Charge Current	0		0.5	A

## 2 Equipment

### 2.1 Power Supplies

Power Supply #1 (PS#1): Adjustable from 0 to  $\geq 10$  VDC at  $\geq 1$ A; used for input J1.

Power Supply #2 (PS#2): Adjustable from 0 to  $\geq 10$  VDC at  $\geq 1.5$ A; used for Battery Load Board.

### 2.2 Loads

Load #1: Battery Load Circuit Board, PR1010-2, as shown in [Figure 2](#).

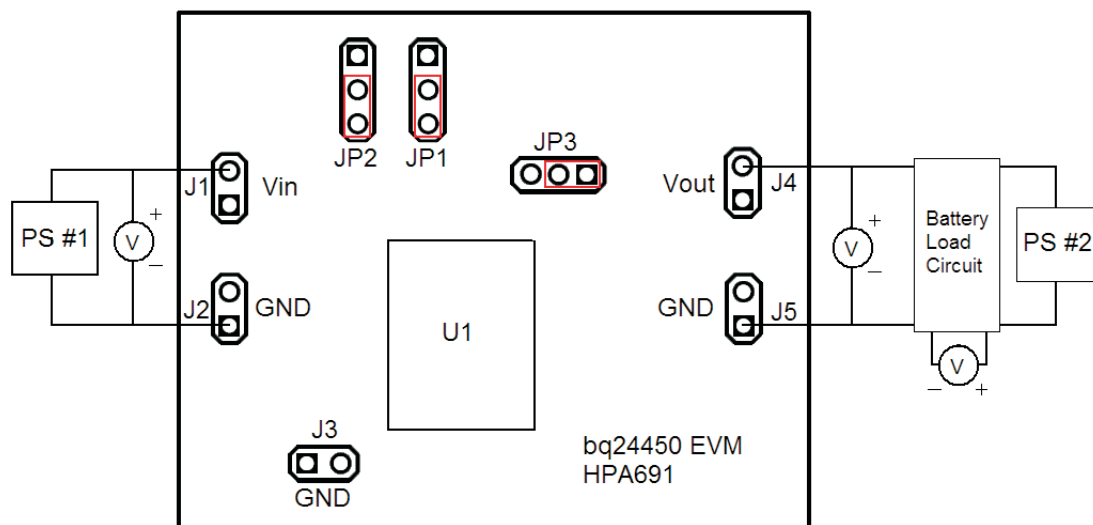
### 2.3 Meters

Three Fluke 75 DMMs (equivalent or better).

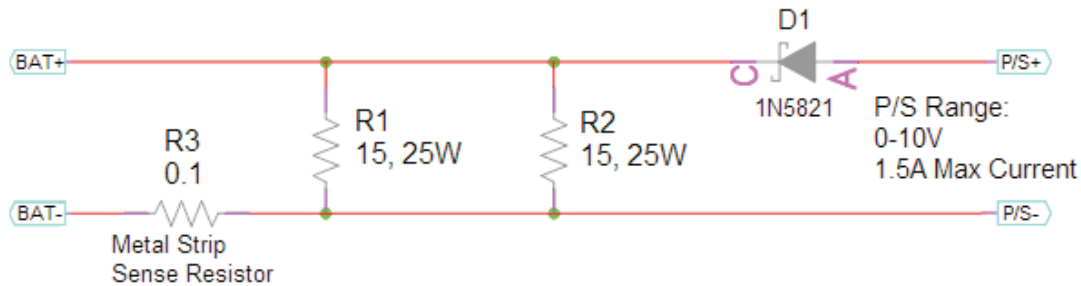
## 3 Equipment Setup

The original test setup of HPA691 is shown in [Figure 1](#).

1. Set the PS #1 for 10V, 1A current limit and then turn off supply. Connect PS#1 across J1, J2 (VIN, GND).
2. Connect a voltage meter (VM #1) across J1, J2 (VIN, GND)
3. Set PS#2 to 5.2V and then turn off supply. Connect to the Battery Load Circuit Board (P/S+, P/S-)
4. Connect Load #1 (BAT+, BAT-) across J4, J5 (VOUT, GND).
5. Connect a voltage meter (VM#2) across J4, J5 (VOUT, GND).
6. Connect a voltage meter (VM#3) across sense resistor on Load #1.
7. Verify the jumpers are placed correctly as per, [Figure 1](#).


**Figure 1. Original Test Setup for HPA691 (bq24450 EVM)**

Replacement circuit for a 3-cell lead acid battery. BAT+ to BAT– voltage tracks the power supply input voltage, minus 1 diode drop



**Figure 2. Battery Load Circuit – PR1010-2**

## 4 Procedure

### 4.1 Pre-charge

Turn on PS #1, preset to 10 VDC. Verify voltage on VM #1.

Turn on PS #2, preset to 5.2 VDC.

Adjust PS #2 such that VM #2 shows 5 VDC.

Using VM #3, measure the voltage across the current sense resistor on Load #1. Multiply this value by a conversion factor of 10A/V. This is the pre-charge current.

### 4.2 Max Charge

Adjust PS #2 such that VM #2 shows 6 VDC.

Using VM #3, measure the voltage across the current sense resistor on Load #1. Multiply this value by a conversion factor of 10A/V. This is the max charge current.

### 4.3 Charge Termination

Adjust PS #2 such that VM #2 shows 7.5 VDC.

There should be no charge current in this condition.

### 4.4 Re-Charge

Adjust PS #2 such that VM #2 shows 6 VDC.

Using VM #3, measure the voltage across the current sense resistor on Load #1. Multiply this value by a conversion factor of 10A/V. This is the max charge current.

## 5 Functions and Features

### 5.1 Changing Output Voltage and Charge Current

This EVM is configured to charge a 3-Cell Lead Acid Battery with a maximum charge current of 450 mA. The EVM can be altered to charge lower or higher voltage batteries and can also be altered to have a lower or higher maximum charge current.

#### Power Dissipation

It is important to monitor the power dissipation in the external transistor, Q1.

**WARNING**  
Q1 and the surrounding area of the PCB may become hot.

$$(\text{Power Dissipation in Q1}) = (V_{in} - V_{out} - 0.25 - 0.7) \times \text{Charge Current}$$

With a large difference between  $V_{in}$  and  $V_{bat}$ , and/or a high charge current, there will be a significant amount of power dissipation in Q1. This causes both Q1 and the surrounding PCB to get hot. If any alterations are made to the EVM circuit, it is important to ensure a safe level of power dissipation in the external FET, Q1.

#### Changing Output Voltage

The output voltage may be altered by changing some on-board resistors (R7, R8, R9, R11, R12). See the bq24450 datasheet for information on how to size these resistors. If  $V_{out}$  is changed,  $V_{in}$  must also be changed.  $V_{in}$  should be high enough to allow for the necessary dropout (across R2, R4, Q1, and D1) and low enough to maintain a safe level of power dissipation.

#### Changing the Maximum Charge Current

The maximum charge current is set by sense resistor, R2.  $(\text{Max Charge Current}) = (0.25) / R2$ . Resistor R2 may be adjusted to set a different max charge current. However, more current will yield higher power dissipation in Q1. This may cause the board to become hot.

#### Changing Pre-Charge Current

Pre-Charge current is set by R10.

$$\text{Pre-Charge Current} = (V_{in} - 2 - V_{out}) / R10$$

#### Changing the value of $I_{taper}$

As populated,  $I_{TAPER}$  is 10% of  $I_{Max-Chg}$ . This is because  $V_{ILIM}$  is 250mV and  $V_{ISNS}$  is 25mV and both are being sensed across R2. If a different value of  $I_{TAPER}$  is desired, R4 can be populated (with a non-zero resistor) and JP1 and JP2 can be used to connect pins ISNSM and IFB to opposite sides of R4. See figure below.

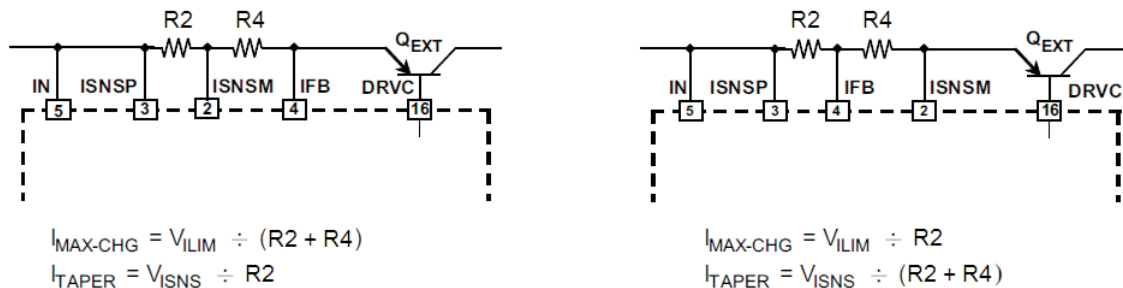


Figure 3. Calculating the Value of  $I_{TAPER}$

## 5.2 Options for External Transistor

### Using a Transistor in a TO-220 package

The EVM is populated with a DPAK transistor for Q1. However, if desired, a TO-220 transistor can be used instead. Three holes have been placed in the PCB in parallel with the DPAK pad. Remove the DPAK transistor and replace it with a TO-220 transistor. The top hole is the base, the middle hole is the collector, and the bottom hole is the emitter.

### Using a P-channel FET

The EVM is populated with a PNP transistor for Q1. However, if desired, a P-channel MOSFET may be used instead. In order to use a P-FET, a resistor must be populated on R5. Pin 16 of the BQ24450 will sink current through R5 and generate a negative gate to source voltage for the P-FET. By varying the sink current (and subsequently Vgs), the IC can accurately control the charge current. A 1k $\Omega$  resistor is suitable for R5.

### Changing the topology

The EVM is configured with the Common-Emitter PNP topology. However, it can also be configured for the PNP in a Quasi-Darlington as described on page 13 of the datasheet. To make this change, the following steps should be taken:

1. Place jumper on JP3 such that it connects Pin 15 of the IC to the collector of Q1.
2. Remove R6 and replace with R<sub>p</sub> as calculated on page 13 of the data sheet.

## 5.3 Other Options

### Disabling Pre-Charge Mode

The EVM is populated to perform pre-charge on a deeply depleted battery. If pre-charge mode is not desired, it can be disabled by performing the steps below.

1. Populate R1 = 0  $\Omega$
2. Remove R11 and R12
3. Populate R14 = R11 + R12 (For example: If R11 = 75k $\Omega$  and R12 = 16.9k $\Omega$ , R14 = 91.9k $\Omega$ )

### PGOOD

As populated, the EVM uses PGOOD as part of the feedback divider (explained on page 11 of data sheet). If desired, PGOOD can be used to indicate the supply status on pin 5.

1. Remove R8 and place it on R15 pad.
2. Populate R13 with a pull-up resistor.

## 6 PCB Layout Guideline

It is important to pay special attention to the printed-circuit board (PCB) layout. The following provides some guidelines:

1. All low-current GND connections must be kept separate from the high-current charge or discharge paths from the battery. Use a single-point ground technique incorporating both the small signal ground path and the power ground path.
2. The high current charge paths into IN pin and from the OUT pin must be sized appropriately for the maximum charge current in order to avoid voltage drops in these traces.

## 7 Bill of Materials, Board Layouts and Schematic

### 7.1 Bill of Materials

**Table 3. Bill of Materials**

Reference Designator	Value	Description	Size	Part Number	MFR
C1, C4	Open	Capacitor, Ceramic	1206	Std	Std
C2, C5	1.0 $\mu$ F	Capacitor, Ceramic, 25V, X5R, 10%	603	Std	Std
C3	0.1 $\mu$ F	Capacitor, Ceramic, 25V, X7R, 10%	603	Std	Std
D1	ES2AA-13-F	Diode	SMA	ES2AA-13-F	Diodes, Inc.
Q1	MJD32CT4	Transistor, PNP	DPAK	MJD32CT4	ST
R1, R5, R13, R14, R15	Open	Resistor, Chip, 1/16W, 1%	603	Std	Std
R2	0.56 $\Omega$	Resistor, Chip, 1/2W, 1%	2010	STD	STD
R3, R6	0 $\Omega$	Resistor, Chip, 1/16W	603	Std	Std
R4	0 $\Omega$	Resistor, Chip, 1/2W	2010	CRCW20100000Z0EF	Vishay
R7	475k $\Omega$	Resistor, Chip, 1/16W, 1%	603	Std	Std
R8	46.4k $\Omega$	Resistor, Chip, 1/16W, 1%	603	Std	Std
R9	453 $\Omega$	Resistor, Chip, 1/16W, 1%	603	Std	Std
R10	187 $\Omega$	Resistor, Chip, 1/10W, 1%	603	Std	Std
R11	75.0k $\Omega$	Resistor, Chip, 1/16W, 1%	603	Std	Std
R12	16.9k $\Omega$	Resistor, Chip, 1/16W, 1%	603	Std	Std
R16	10.0k $\Omega$	Resistor, Chip, 1/16W, 1%	603	Std	Std
U1	BQ24450D	IC, INTEGRATED CHARGE CONTROLLER FOR LEAD-ACID BATTERIES	SO-16	BQ24450D	TI

7.2 Board Layout

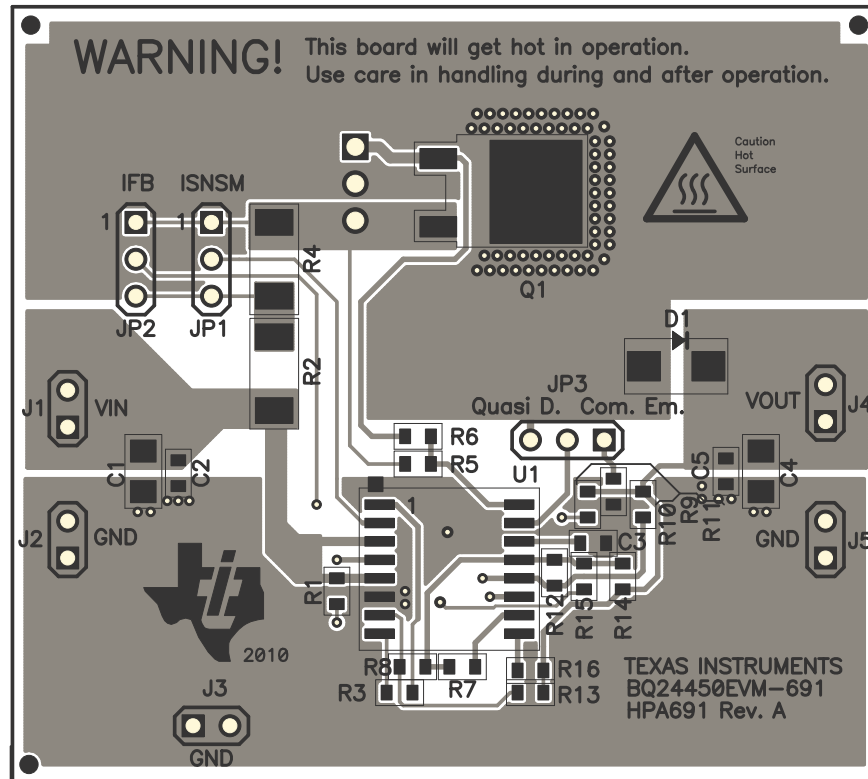


Figure 4. Top Assembly Layer

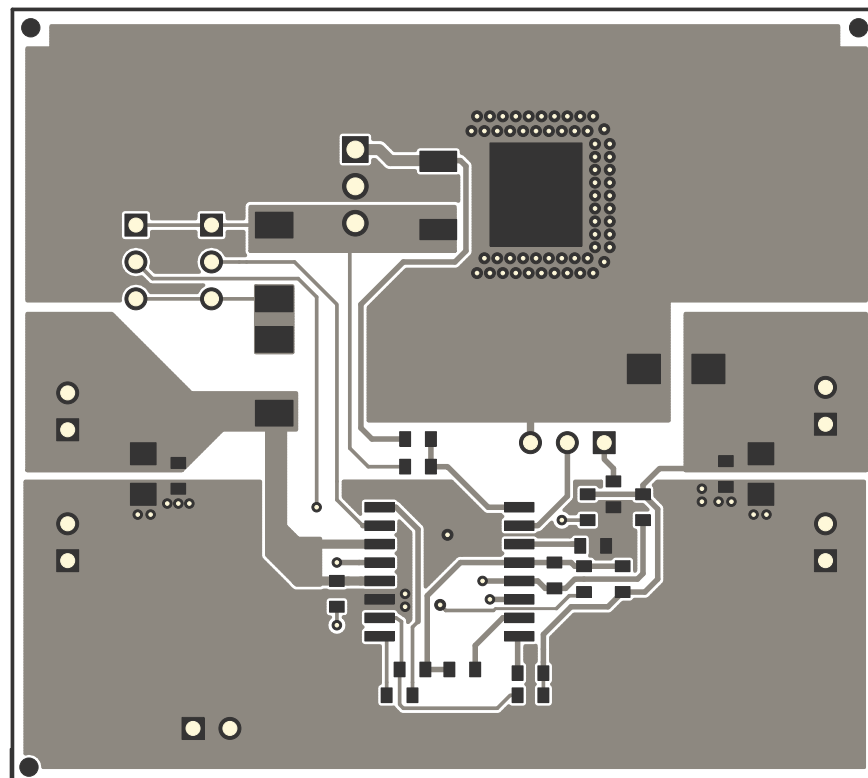


Figure 5. Top PCB Layer



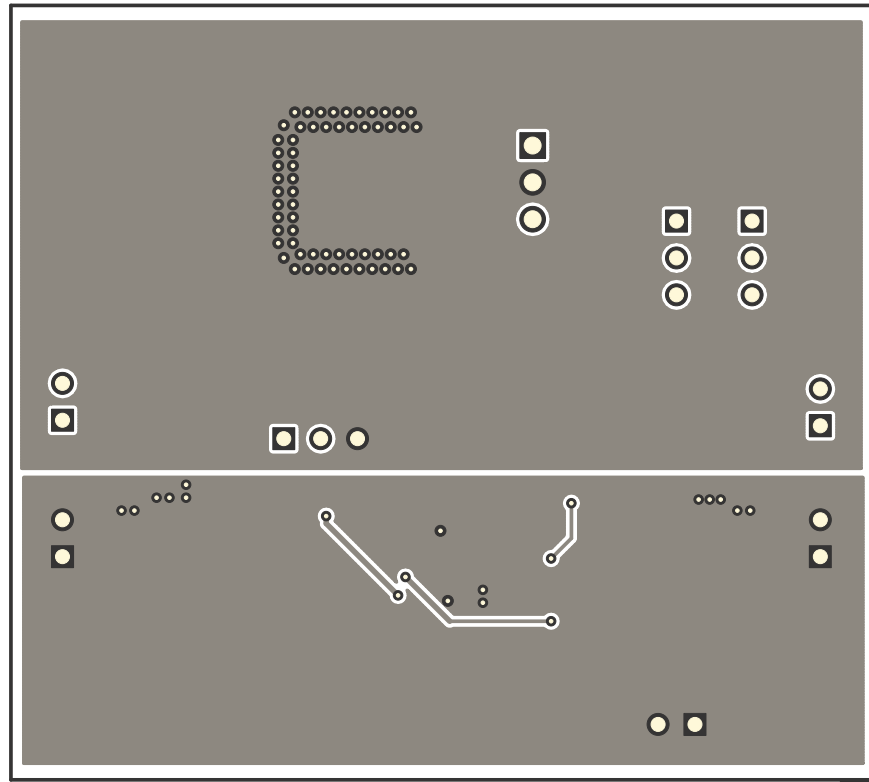


Figure 6. Bottom PCB Layer

### 7.3 Schematic

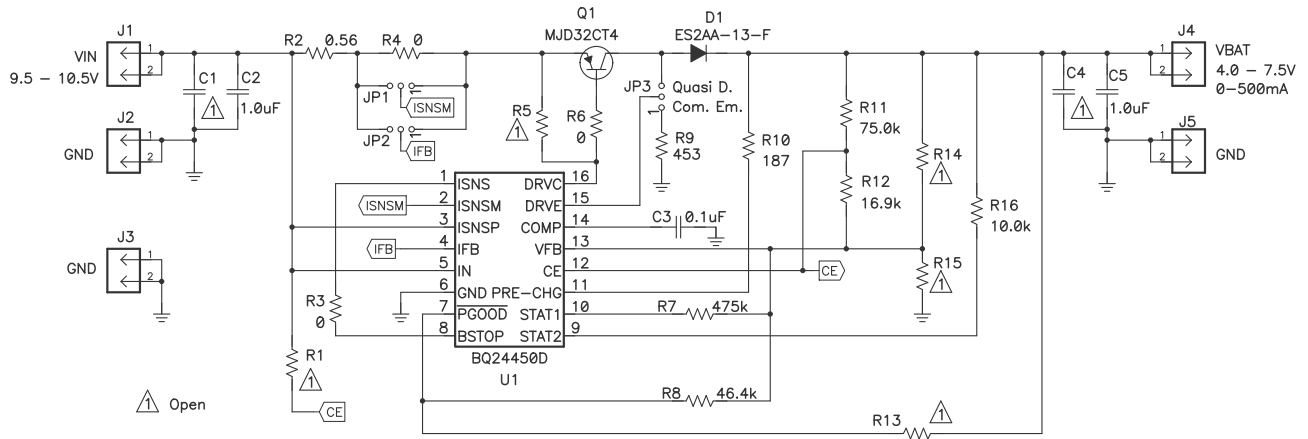


Figure 7. bq24450 EVM Schematic

## Evaluation Board/Kit Important Notice

Texas Instruments (TI) provides the enclosed product(s) under the following conditions:

This evaluation board/kit is intended for use for **ENGINEERING DEVELOPMENT, DEMONSTRATION, OR EVALUATION PURPOSES ONLY** and is not considered by TI to be a finished end-product fit for general consumer use. Persons handling the product(s) must have electronics training and observe good engineering practice standards. As such, the goods being provided are not intended to be complete in terms of required design-, marketing-, and/or manufacturing-related protective considerations, including product safety and environmental measures typically found in end products that incorporate such semiconductor components or circuit boards. This evaluation board/kit does not fall within the scope of the European Union directives regarding electromagnetic compatibility, restricted substances (RoHS), recycling (WEEE), FCC, CE or UL, and therefore may not meet the technical requirements of these directives or other related directives.

Should this evaluation board/kit not meet the specifications indicated in the User's Guide, the board/kit may be returned within 30 days from the date of delivery for a full refund. **THE FOREGOING WARRANTY IS THE EXCLUSIVE WARRANTY MADE BY SELLER TO BUYER AND IS IN LIEU OF ALL OTHER WARRANTIES, EXPRESSED, IMPLIED, OR STATUTORY, INCLUDING ANY WARRANTY OF MERCHANTABILITY OR FITNESS FOR ANY PARTICULAR PURPOSE.**

The user assumes all responsibility and liability for proper and safe handling of the goods. Further, the user indemnifies TI from all claims arising from the handling or use of the goods. Due to the open construction of the product, it is the user's responsibility to take any and all appropriate precautions with regard to electrostatic discharge.

**EXCEPT TO THE EXTENT OF THE INDEMNITY SET FORTH ABOVE, NEITHER PARTY SHALL BE LIABLE TO THE OTHER FOR ANY INDIRECT, SPECIAL, INCIDENTAL, OR CONSEQUENTIAL DAMAGES.**

TI currently deals with a variety of customers for products, and therefore our arrangement with the user **is not exclusive.**

TI assumes **no liability for applications assistance, customer product design, software performance, or infringement of patents or services described herein.**

Please read the User's Guide and, specifically, the Warnings and Restrictions notice in the User's Guide prior to handling the product. This notice contains important safety information about temperatures and voltages. For additional information on TI's environmental and/or safety programs, please contact the TI application engineer or visit [www.ti.com/esh](http://www.ti.com/esh).

No license is granted under any patent right or other intellectual property right of TI covering or relating to any machine, process, or combination in which such TI products or services might be or are used.

## FCC Warning

This evaluation board/kit is intended for use for **ENGINEERING DEVELOPMENT, DEMONSTRATION, OR EVALUATION PURPOSES ONLY** and is not considered by TI to be a finished end-product fit for general consumer use. It generates, uses, and can radiate radio frequency energy and has not been tested for compliance with the limits of computing devices pursuant to part 15 of FCC rules, which are designed to provide reasonable protection against radio frequency interference. Operation of this equipment in other environments may cause interference with radio communications, in which case the user at his own expense will be required to take whatever measures may be required to correct this interference.

## EVM Warnings and Restrictions

It is important to operate this EVM within the input voltage range of 9.5 V to 10.5 V and the output voltage range of 4 V to 7.5 V .

Exceeding the specified input range may cause unexpected operation and/or irreversible damage to the EVM. If there are questions concerning the input range, please contact a TI field representative prior to connecting the input power.

Applying loads outside of the specified output range may result in unintended operation and/or possible permanent damage to the EVM. Please consult the EVM User's Guide prior to connecting any load to the EVM output. If there is uncertainty as to the load specification, please contact a TI field representative.

During normal operation, some circuit components may have case temperatures greater than 75° C. The EVM is designed to operate properly with certain components above 75° C as long as the input and output ranges are maintained. These components include but are not limited to linear regulators, switching transistors, pass transistors, and current sense resistors. These types of devices can be identified using the EVM schematic located in the EVM User's Guide. When placing measurement probes near these devices during operation, please be aware that these devices may be very warm to the touch.

Mailing Address: Texas Instruments, Post Office Box 655303, Dallas, Texas 75265  
Copyright © 2010, Texas Instruments Incorporated

## IMPORTANT NOTICE

Texas Instruments Incorporated and its subsidiaries (TI) reserve the right to make corrections, modifications, enhancements, improvements, and other changes to its products and services at any time and to discontinue any product or service without notice. Customers should obtain the latest relevant information before placing orders and should verify that such information is current and complete. All products are sold subject to TI's terms and conditions of sale supplied at the time of order acknowledgment.

TI warrants performance of its hardware products to the specifications applicable at the time of sale in accordance with TI's standard warranty. Testing and other quality control techniques are used to the extent TI deems necessary to support this warranty. Except where mandated by government requirements, testing of all parameters of each product is not necessarily performed.

TI assumes no liability for applications assistance or customer product design. Customers are responsible for their products and applications using TI components. To minimize the risks associated with customer products and applications, customers should provide adequate design and operating safeguards.

TI does not warrant or represent that any license, either express or implied, is granted under any TI patent right, copyright, mask work right, or other TI intellectual property right relating to any combination, machine, or process in which TI products or services are used. Information published by TI regarding third-party products or services does not constitute a license from TI to use such products or services or a warranty or endorsement thereof. Use of such information may require a license from a third party under the patents or other intellectual property of the third party, or a license from TI under the patents or other intellectual property of TI.

Reproduction of TI information in TI data books or data sheets is permissible only if reproduction is without alteration and is accompanied by all associated warranties, conditions, limitations, and notices. Reproduction of this information with alteration is an unfair and deceptive business practice. TI is not responsible or liable for such altered documentation. Information of third parties may be subject to additional restrictions.

Resale of TI products or services with statements different from or beyond the parameters stated by TI for that product or service voids all express and any implied warranties for the associated TI product or service and is an unfair and deceptive business practice. TI is not responsible or liable for any such statements.

TI products are not authorized for use in safety-critical applications (such as life support) where a failure of the TI product would reasonably be expected to cause severe personal injury or death, unless officers of the parties have executed an agreement specifically governing such use. Buyers represent that they have all necessary expertise in the safety and regulatory ramifications of their applications, and acknowledge and agree that they are solely responsible for all legal, regulatory and safety-related requirements concerning their products and any use of TI products in such safety-critical applications, notwithstanding any applications-related information or support that may be provided by TI. Further, Buyers must fully indemnify TI and its representatives against any damages arising out of the use of TI products in such safety-critical applications.

TI products are neither designed nor intended for use in military/aerospace applications or environments unless the TI products are specifically designated by TI as military-grade or "enhanced plastic." Only products designated by TI as military-grade meet military specifications. Buyers acknowledge and agree that any such use of TI products which TI has not designated as military-grade is solely at the Buyer's risk, and that they are solely responsible for compliance with all legal and regulatory requirements in connection with such use.

TI products are neither designed nor intended for use in automotive applications or environments unless the specific TI products are designated by TI as compliant with ISO/TS 16949 requirements. Buyers acknowledge and agree that, if they use any non-designated products in automotive applications, TI will not be responsible for any failure to meet such requirements.

Following are URLs where you can obtain information on other Texas Instruments products and application solutions:

<b>Products</b>		<b>Applications</b>	
Amplifiers	<a href="http://amplifier.ti.com">amplifier.ti.com</a>	Audio	<a href="http://www.ti.com/audio">www.ti.com/audio</a>
Data Converters	<a href="http://dataconverter.ti.com">dataconverter.ti.com</a>	Automotive	<a href="http://www.ti.com/automotive">www.ti.com/automotive</a>
DLP® Products	<a href="http://www.dlp.com">www.dlp.com</a>	Communications and Telecom	<a href="http://www.ti.com/communications">www.ti.com/communications</a>
DSP	<a href="http://dsp.ti.com">dsp.ti.com</a>	Computers and Peripherals	<a href="http://www.ti.com/computers">www.ti.com/computers</a>
Clocks and Timers	<a href="http://www.ti.com/clocks">www.ti.com/clocks</a>	Consumer Electronics	<a href="http://www.ti.com/consumer-apps">www.ti.com/consumer-apps</a>
Interface	<a href="http://interface.ti.com">interface.ti.com</a>	Energy	<a href="http://www.ti.com/energy">www.ti.com/energy</a>
Logic	<a href="http://logic.ti.com">logic.ti.com</a>	Industrial	<a href="http://www.ti.com/industrial">www.ti.com/industrial</a>
Power Mgmt	<a href="http://power.ti.com">power.ti.com</a>	Medical	<a href="http://www.ti.com/medical">www.ti.com/medical</a>
Microcontrollers	<a href="http://microcontroller.ti.com">microcontroller.ti.com</a>	Security	<a href="http://www.ti.com/security">www.ti.com/security</a>
RFID	<a href="http://www.ti-rfid.com">www.ti-rfid.com</a>	Space, Avionics & Defense	<a href="http://www.ti.com/space-avionics-defense">www.ti.com/space-avionics-defense</a>
RF/IF and ZigBee® Solutions	<a href="http://www.ti.com/lprf">www.ti.com/lprf</a>	Video and Imaging	<a href="http://www.ti.com/video">www.ti.com/video</a>
		Wireless	<a href="http://www.ti.com/wireless-apps">www.ti.com/wireless-apps</a>

Mailing Address: Texas Instruments, Post Office Box 655303, Dallas, Texas 75265  
Copyright © 2010, Texas Instruments Incorporated