

Fast-Charge Development System Control of On-Board Switch-Mode Regulator

Features

- ▶ bq2007 fast-charge control evaluation and development
- ▶ Battery charge status display modes and driver interfaces are jumper configurable
 - On-board seven-step LED bargraph or ten-step BCD digit display
 - Charge status monitoring interface option
 - On-board charge status indication LEDs
- ▶ Fast-charge termination by $-\Delta V$, peak voltage detect (PVD), maximum voltage, maximum time, and maximum temperature
- ▶ Jumper-selectable for 4, 5, 6, 8, or 10 NiCd or NiMH cell pack charging
- ▶ Jumper-selectable standard or fast charge rates from 1 to 4 hours
- ▶ Discharge-before-charge push-button or automatic control

General Description

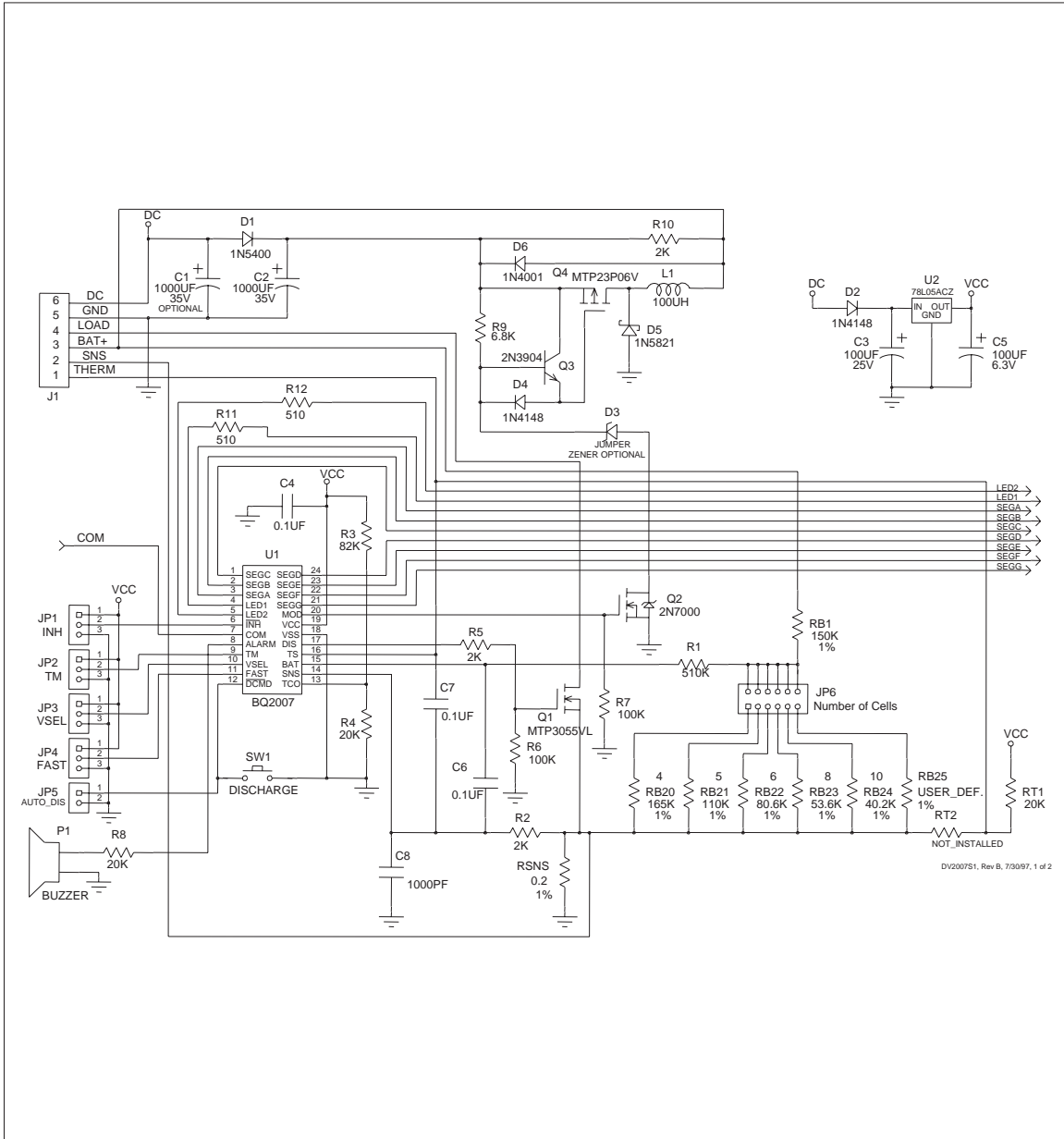
The DV2007S1 provides the platform for a functional evaluation of the bq2007 features on single PCB. The board contain all the connections required to fully exercise the bq2007 feature sets. See the bq2007 data sheet and application note AB-0019 entitled "Using the bq2007 Display Mode Options."

A full data sheet of this product is available on our web site (<http://www.benchmark.com>), or you may contact the factory for one.

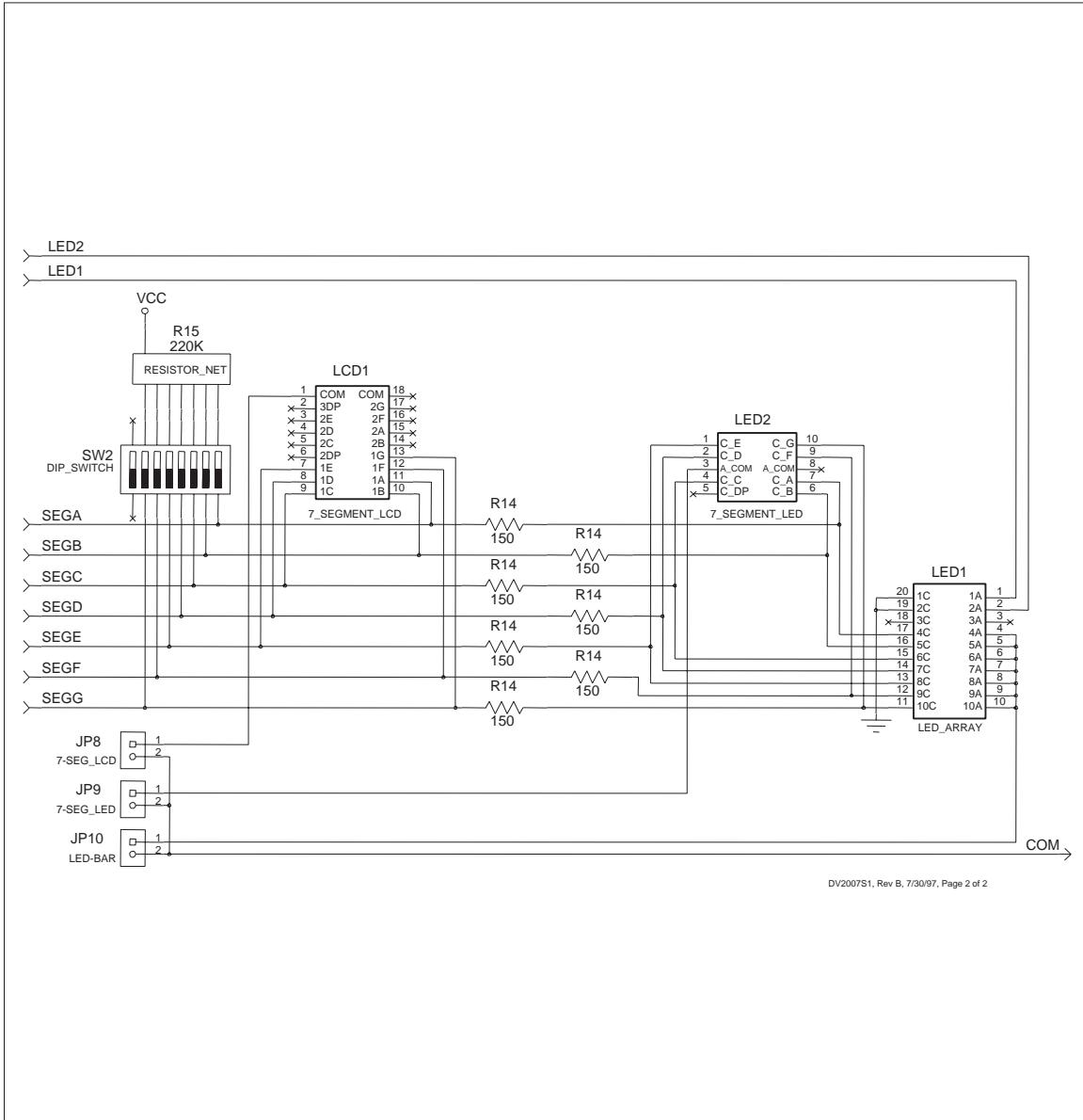


DV2007S1 Product Brief

DV2007S1 Board Schematic



DV2007S1 Board Schematic (Continued)



DV2007S1, Rev B, 7/30/97, Page 2 of 2

Notes

IMPORTANT NOTICE

Texas Instruments and its subsidiaries (TI) reserve the right to make changes to their products or to discontinue any product or service without notice, and advise customers to obtain the latest version of relevant information to verify, before placing orders, that information being relied on is current and complete. All products are sold subject to the terms and conditions of sale supplied at the time of order acknowledgement, including those pertaining to warranty, patent infringement, and limitation of liability.

TI warrants performance of its semiconductor products to the specifications applicable at the time of sale in accordance with TI's standard warranty. Testing and other quality control techniques are utilized to the extent TI deems necessary to support this warranty. Specific testing of all parameters of each device is not necessarily performed, except those mandated by government requirements.

CERTAIN APPLICATIONS USING SEMICONDUCTOR PRODUCTS MAY INVOLVE POTENTIAL RISKS OF DEATH, PERSONAL INJURY, OR SEVERE PROPERTY OR ENVIRONMENTAL DAMAGE ("CRITICAL APPLICATIONS"). TI SEMICONDUCTOR PRODUCTS ARE NOT DESIGNED, AUTHORIZED, OR WARRANTED TO BE SUITABLE FOR USE IN LIFE-SUPPORT DEVICES OR SYSTEMS OR OTHER CRITICAL APPLICATIONS. INCLUSION OF TI PRODUCTS IN SUCH APPLICATIONS IS UNDERSTOOD TO BE FULLY AT THE CUSTOMER'S RISK.

In order to minimize risks associated with the customer's applications, adequate design and operating safeguards must be provided by the customer to minimize inherent or procedural hazards.

TI assumes no liability for applications assistance or customer product design. TI does not warrant or represent that any license, either express or implied, is granted under any patent right, copyright, mask work right, or other intellectual property right of TI covering or relating to any combination, machine, or process in which such semiconductor products or services might be or are used. TI's publication of information regarding any third party's products or services does not constitute TI's approval, warranty or endorsement thereof.