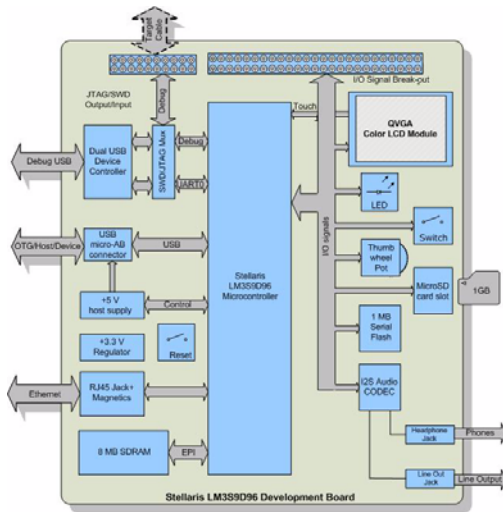


Stellaris® LM3S9D96 Microcontroller Development Kit

Texas Instruments' Stellaris® LM3S9D96 Microcontroller Development Kit (DK-LM3S9D96) is a full-featured development kit for LM3S9000 series devices. The LM3S9D96 development board has a maximum set of peripherals to demonstrate the microcontroller's capabilities and provides maximum flexibility with break-out jumpers for all I/O.

The LM3S9D96 development board provides a platform for evaluating memory-demanding applications as well as applications that utilize the new Tempest class capabilities such as I²S audio, extended peripheral interface (EPI), and the simultaneous availability of Ethernet, USB OTG, and CAN communication. Target applications include networking, graphical user-interface (GUI), and connected Human Machine Interface (HMI) applications. The LM3S9D96 development board is also a useful development vehicle for systems programmed using tools such as Microsoft's .NET Micro Framework and Embedded LabView from National Instruments.

Features



Development Board

- 3.5" landscape color LCD graphics display
 - TFT LCD module with 320 x 240 resolution
 - Resistive touch interface
- 80 MHz LM3S9D96 microcontroller with 512 KB Flash, 96 KB SRAM, and integrated Ethernet MAC+PHY, USB OTG, and CAN communications
 - 8 MB SDRAM (plug-in EPI option board)
 - Break-out board for External Peripheral Interface (EPI) signals
- 1 MB serial Flash memory
- Precision 3.00 V voltage reference
- Controller Area Network (CAN) interface
- SafeRTOS™ operating system in microcontroller ROM

- I²S stereo audio codec
 - Line Out
 - Headphone Out
 - Microphone In
 - Line In
- 10/100 BaseT Ethernet
- USB OTG connector
 - Device, Host, and OTG modes
- User LED and pushbutton
- Thumbwheel potentiometer
- MicroSD card slot

Development Kit

- Standard ARM® 20-pin JTAG debug connector
- Integrated In-Circuit Debug Interface (ICDI)
- USB virtual com port
- Jumper shunts to conveniently reallocate I/O resources
- Easy to customize
 - Includes full source code, example applications, and design files
 - Develop using tools supporting the DK-LM3S9D96 from Keil, IAR, Sourcery CodeBench, Code Red, and Texas Instruments
 - Supported by Texas Instruments' StellarisWare® software including the graphics library and the peripheral driver library

Kit Contents



The Stellaris® DK-LM3S9D96 Development Kit provides the tools engineers need to develop and prototype embedded applications right out of the box including:

- Stellaris® LM3S9D96 development board
- Mini-B USB cable (3-foot) for debug function
- Micro-A plug to Std-A receptacle (connects to USB flash drive)
- Std-A plug to Micro-B plug (connects to PC as a USB device)
- USB Flash Drive (128 MB)
- 20-way target cable, Ethernet cable
- MicroSD card
- CD with tools, documentation, and source code

DK-LM3S9D96 (continued)

Ordering Information

Product Number	Description
DK-LM3S9D96	Stellaris® LM3S9D96 Microcontroller Development Kit

Optional Expansion Boards



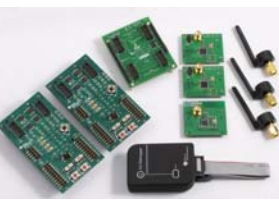

Optional memory expansion boards for the Stellaris® LM3S9D96 Microcontroller Development Kit are available and sold separately. These boards also work with the predecessor to the DK-LM3S9D96, the DK-LM3S9B96 Microcontroller Development Kit.

- Stellaris® Flash and SRAM Memory Expansion Board (DK-LM3S9B96-FS8)
 - Provides 8 MB of Flash memory, 1 MB of SRAM, and memory-mapped LCD I/F for improved LCD performance

- Stellaris® FPGA Expansion Board (DK-LM3S9B96-FPGA)
 - Video capture using a color VGA CMOS image sensor connected to a Xilinx Spartan 3E FPGA
 - Display Stellaris® FPGA Expansion Board's camera-captured video on the DK-LM3S9D96's large, 3.5-inch touchscreen display.
- Stellaris® EM2 Expansion Board (DK-LM3S9B96-EM2)
 - Provides a transition between the Stellaris EPI connector and RF Evaluation Module (EM) connector
 - Enables wireless application development using Low Power RF (LPRF), RF ID, and Bluetooth® evaluation modules

Each board works with the External Peripheral Interface (EPI) of the Stellaris microcontroller.

Stellaris® Wireless Kits (each sold separately)

DK-EM2-2500S	DK-EM2-7960R	DK-EM2-2520Z	DK-EM2-2560B
			
Stellaris® 2.4 GHz SimpliciTI Wireless Kit (includes CC2500 Evaluation Module Kit and DK-LM3S9B96-EM2 Expansion Board) www.ti.com/dk-em2-2500s	Stellaris® 13.56 MHz RFID Wireless Kit (includes TRF7960TB Evaluation Module and DK-LM3S9B96-EM2 Expansion Board) www.ti.com/dk-em2-7960r	Stellaris® 2.4 GHz ZigBee Wireless Kit (includes CC2520 Evaluation Module Kit and DK-LM3S9B96-EM2 Expansion Board) www.ti.com/dk-em2-2520z	Stellaris® 2.4 GHz CC2560 Bluetooth® Wireless Kit (includes CC2560 Bluetooth Transceiver and DK-LM3S9B96-EM2 Expansion Board) www.ti.com/dk-em2-2560b

Stellaris® DK-LM3S9B96 Expansion Boards (each sold separately)

DK-LM3S9B96-FS8	DK-LM3S9B96-FPGA	DK-LM3S9B96-EM2
		
Stellaris® Flash and SRAM Memory Expansion Board (sold separately) www.ti.com/dk-lm3s9b96-fs8	Stellaris® FPGA Expansion Board (sold separately) www.ti.com/dk-lm3s9b96-fpga	Stellaris® EM2 Expansion Board (sold separately) www.ti.com/dk-lm3s9b96-em2

For more information on Stellaris wireless solutions: www.ti.com/stellariswireless

Texas Instruments • 108 Wild Basin, Suite 350 • Austin, TX 78746
<http://www.ti.com/stellaris>

Copyright © 2011 Texas Instruments, Inc. All rights reserved. Stellaris and StellarisWare are registered trademarks of Texas Instruments. ARM and Thumb are registered trademarks, and Cortex is a trademark of ARM Limited. The Bluetooth® word mark and logos are registered trademarks owned by Bluetooth SIG, Inc. and any use of such marks by Texas Instruments is under license. Other names and brands may be claimed as the property of others.



IMPORTANT NOTICE

Texas Instruments Incorporated and its subsidiaries (TI) reserve the right to make corrections, modifications, enhancements, improvements, and other changes to its products and services at any time and to discontinue any product or service without notice. Customers should obtain the latest relevant information before placing orders and should verify that such information is current and complete. All products are sold subject to TI's terms and conditions of sale supplied at the time of order acknowledgment.

TI warrants performance of its hardware products to the specifications applicable at the time of sale in accordance with TI's standard warranty. Testing and other quality control techniques are used to the extent TI deems necessary to support this warranty. Except where mandated by government requirements, testing of all parameters of each product is not necessarily performed.

TI assumes no liability for applications assistance or customer product design. Customers are responsible for their products and applications using TI components. To minimize the risks associated with customer products and applications, customers should provide adequate design and operating safeguards.

TI does not warrant or represent that any license, either express or implied, is granted under any TI patent right, copyright, mask work right, or other TI intellectual property right relating to any combination, machine, or process in which TI products or services are used. Information published by TI regarding third-party products or services does not constitute a license from TI to use such products or services or a warranty or endorsement thereof. Use of such information may require a license from a third party under the patents or other intellectual property of the third party, or a license from TI under the patents or other intellectual property of TI.

Reproduction of TI information in TI data books or data sheets is permissible only if reproduction is without alteration and is accompanied by all associated warranties, conditions, limitations, and notices. Reproduction of this information with alteration is an unfair and deceptive business practice. TI is not responsible or liable for such altered documentation. Information of third parties may be subject to additional restrictions.

Resale of TI products or services with statements different from or beyond the parameters stated by TI for that product or service voids all express and any implied warranties for the associated TI product or service and is an unfair and deceptive business practice. TI is not responsible or liable for any such statements.

TI products are not authorized for use in safety-critical applications (such as life support) where a failure of the TI product would reasonably be expected to cause severe personal injury or death, unless officers of the parties have executed an agreement specifically governing such use. Buyers represent that they have all necessary expertise in the safety and regulatory ramifications of their applications, and acknowledge and agree that they are solely responsible for all legal, regulatory and safety-related requirements concerning their products and any use of TI products in such safety-critical applications, notwithstanding any applications-related information or support that may be provided by TI. Further, Buyers must fully indemnify TI and its representatives against any damages arising out of the use of TI products in such safety-critical applications.

TI products are neither designed nor intended for use in military/aerospace applications or environments unless the TI products are specifically designated by TI as military-grade or "enhanced plastic." Only products designated by TI as military-grade meet military specifications. Buyers acknowledge and agree that any such use of TI products which TI has not designated as military-grade is solely at the Buyer's risk, and that they are solely responsible for compliance with all legal and regulatory requirements in connection with such use.

TI products are neither designed nor intended for use in automotive applications or environments unless the specific TI products are designated by TI as compliant with ISO/TS 16949 requirements. Buyers acknowledge and agree that, if they use any non-designated products in automotive applications, TI will not be responsible for any failure to meet such requirements.

Following are URLs where you can obtain information on other Texas Instruments products and application solutions:

Products

Audio	www.ti.com/audio
Amplifiers	amplifier.ti.com
Data Converters	dataconverter.ti.com
DLP® Products	www.dlp.com
DSP	dsp.ti.com
Clocks and Timers	www.ti.com/clocks
Interface	interface.ti.com
Logic	logic.ti.com
Power Mgmt	power.ti.com
Microcontrollers	microcontroller.ti.com
RFID	www.ti-rfid.com
RF/IF and ZigBee® Solutions	www.ti.com/lprf

Applications

Communications and Telecom	www.ti.com/communications
Computers and Peripherals	www.ti.com/computers
Consumer Electronics	www.ti.com/consumer-apps
Energy and Lighting	www.ti.com/energy
Industrial	www.ti.com/industrial
Medical	www.ti.com/medical
Security	www.ti.com/security
Space, Avionics and Defense	www.ti.com/space-avionics-defense
Transportation and Automotive	www.ti.com/automotive
Video and Imaging	www.ti.com/video
Wireless	www.ti.com/wireless-apps

TI E2E Community Home Page

e2e.ti.com

Mailing Address: Texas Instruments, Post Office Box 655303, Dallas, Texas 75265
Copyright © 2011, Texas Instruments Incorporated