

## TI Designs: TIDA-01585

# 具有闭环速度控制功能的 24V、36W 无传感器 BLDC 正弦电机驱动器参考设计



### 说明

这款无刷直流 (BLDC) 电机驱动器参考设计采用闭环控制，仅用两个芯片即可实现精准的高速度。第一个芯片是流行的超低功耗 MSP430 系列的低成本入门级 MCU。另一个芯片 (DRV10987) 是一种带有集成功率 MOSFET 的三相无传感器 180° 正弦电机驱动器。总体解决方案经过优化，具有高效率和小外形尺寸，可轻松装入电机中。

### 资源

<a href="#">TIDA-01585</a>	设计文件夹
<a href="#">DRV10987</a>	产品文件夹
<a href="#">MSP430FR2311</a>	产品文件夹



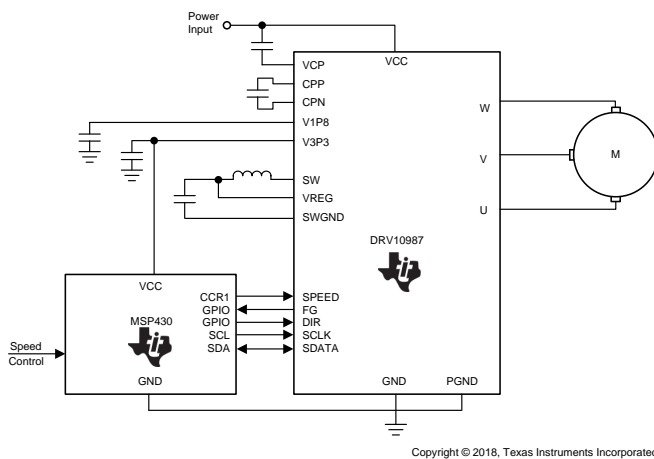
咨询我们的 E2E™ 专家

### 特性

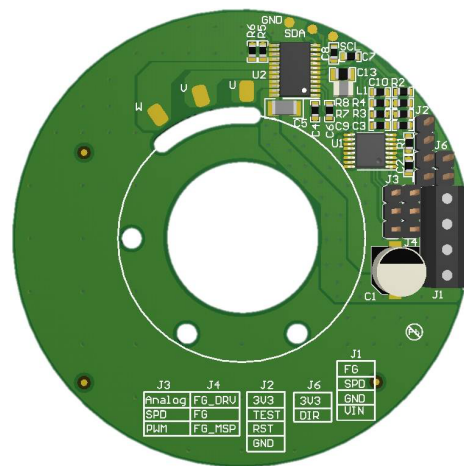
- 无传感器 36W、24V 驱动器，能够以正弦换向方式驱动无刷直流 (BLDC) 电机
- 闭环速度控制可确保预期电机速度的高精度
- 高度集成且受良好保护的单芯片正弦无刷电机控制器可减少外部器件数和可闻噪声
- 闭环系统仅使用两个芯片
- 优化的小外形尺寸 (SFF) 适合进行电机集成
- 可靠启动并受到全面保护的系統，具有短路保护、过流保护和堵转保护
- 工作环境温度：-20°C 至 +85°C
- 集成降压和线性稳压器，可高效地将电源电压降至 3.3V，从而为内外部电路供电 (TI MSP430™MCU)

### 应用

- 落地扇
- 吊扇
- [空气净化器](#)
- [洗衣机、烘干机风扇](#)



Copyright © 2018, Texas Instruments Incorporated



该 TI 参考设计末尾的重要声明表述了授权使用、知识产权问题和其他重要的免责声明和信息。

## 1 System Description

In application fields such as appliances and industrial, brushless DC (BLDC) motors are starting to replace traditional brushed DC motors. Compared to the brushed DC motor, the BLDC uses an electric commutator to replace the mechanical commutator, making it more reliable and providing a longer lifetime. BLDC motors are also more efficient than brushed DC motors. For the same input power, a BLDC motor converts more electrical power into mechanical power than a brushed motor.

The general advantages of BLDC motors are as follows:

- High efficiency
- Low audible noise
- Better speed versus torque characteristics
- High dynamic response
- Long operating life due to a lack of electrical and friction losses
- Higher speed ranges

One of the concerns from a design perspective is that driving a BLDC motor is complicated. This task requires engineers to have a high technological background. With the development of integrated circuits, some specific motor drivers with integrated power MOSFETs and control schemes, like the TI DRV10x, help to solve this problem and simplify use of the BLDC motor. Because of such developments, BLDC motors have already been widely used in refrigerators, washing machines, dishwashers, pumps, and different kind of fans.

Some application scenarios require high accuracy; for example, a high-performance BLDC control system. Achieve high accuracy by using closed-loop control in a majority of BLDC control systems. This reference design provides a precise and effective speed control system with closed-loop. It is a cost-effective, small form factor (SFF), three-phase sinusoidal motor drive for a BLDC motor up to a power of 36 W at 24 V. The board accepts the speed command through pulse-width modulation (PWM) or through analog voltage from an external signal, and provides the three motor outputs to drive the BLDC motor with pure sinusoidal current waveform.

This reference design uses only two chips. A simple MCU, MSP430FR2311, accepts the external speed command, and a proportional-integral (PI) control algorithm is implemented to control the driver. The DRV10987 device is a three-phase sensorless motor driver with integrated power MOSFETs and an embedded, proprietary sensorless control scheme. The device has a flexible user interface that accepts analog, PWM, or I<sup>2</sup>C input from the MCU. The integrated buck converter of the DRV10987 is capable of powering both internal and external circuits. Achieve the optimum motor spin-up profile by tuning all of the applicable configuration parameters inside the electrically erasable programmable read-only memory (EEPROM) of the DRV10987 device.

### 1.1 Key System Specifications

表 1. Key System Specifications

PARAMETER	MIN	NOM	MAX	UNIT
DC input voltage <sup>(1)</sup>	18	24	28	V
Power level	0	—	36	W
Output current	0	1.5	2	A

<sup>(1)</sup> This design can accept a 6.2-V to 28-V power supply, which fits the motor rated voltage. For this test setup, a 24-V nominal value is used to run the specified motor.

表 1. Key System Specifications (continued)

PARAMETER	MIN	NOM	MAX	UNIT
Electrical frequency <sup>(2)</sup>	1	—	1000	Hz
Accuracy <sup>(3)</sup>	—	—	1	%
Operating temperature	-20	25	85	°C

<sup>(2)</sup> The maximum electrical frequency for DRV10987 is 1000 Hz. This parameter and pole pairs determine the maximum mechanical speed of the target motor. The maximum speed of the motor, which is used in test setup of this design, is 1000 RPM.

<sup>(3)</sup> This parameter indicates the maximum speed error.

## 2 System Overview

### 2.1 Block Diagram

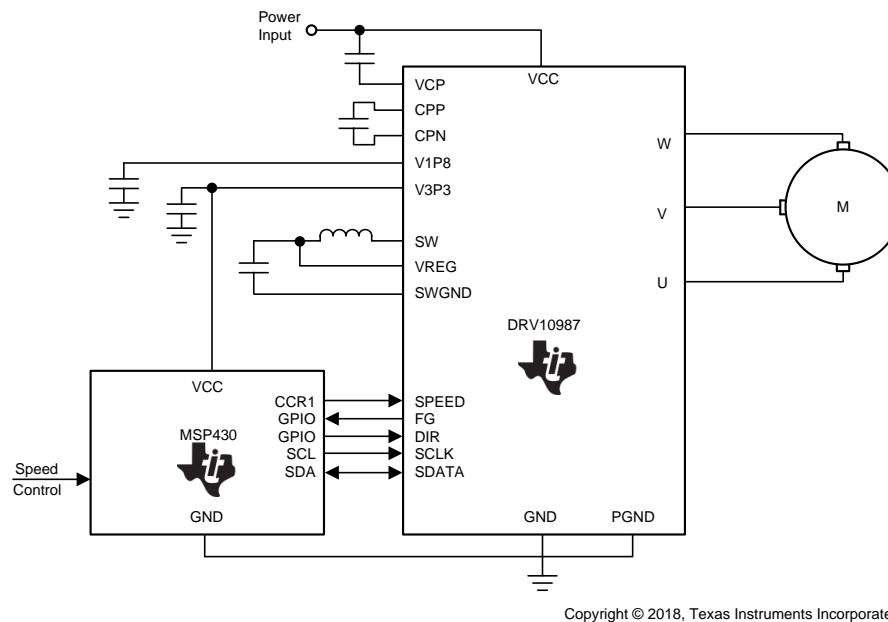


图 1. TIDA-01585 Block Diagram

### 2.2 Highlighted Products

The following subsections detail the highlighted products used in this reference design, including the key features for their selection. See their respective product data sheets for complete details on any highlighted device.

#### 2.2.1 MSP430FR2311

The ultra-low-power MSP430FR231x FRAM MCU family consists of several devices that feature embedded nonvolatile FRAM and different sets of peripherals targeted for various sensing and measurement applications. The architecture, FRAM, and peripherals, combined with extensive low-power modes, are optimized to achieve extended battery life in portable and wireless sensing applications. FRAM is a new nonvolatile memory that combines the speed, flexibility, and endurance of SRAM with the stability and reliability of flash, all at a lower total power consumption.

The MSP430FR231x FRAM MCU is the world's first MCU with a configurable low-leakage current sense amplifier, and features a powerful 16-bit reduced instruction set computer (RISC) central processing unit (CPU), 16-bit registers, and constant generators that contribute to maximum code efficiency. The digitally-controlled oscillator (DCO) also allows the device to wake up from low-power modes to active mode typically in less than 10  $\mu$ s. Additionally, developers can reduce PCB real estate by up to 75% with integrated analog, EEPROM, crystal, and MCU functionality in a 4-mm  $\times$  3.5-mm package. The feature set of this MCU is ideal for applications ranging from smoke detectors to portable health and fitness accessories.

图 2 shows the MSP430FR231X block diagram.

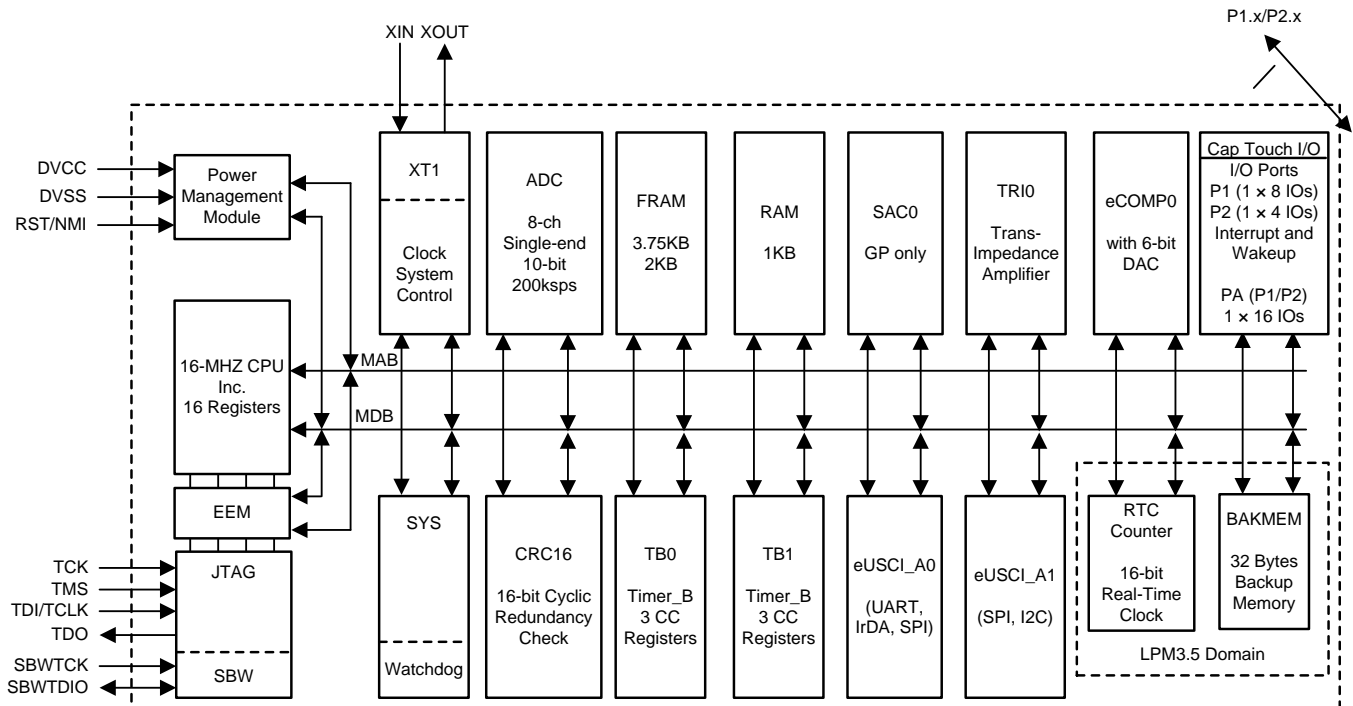


图 2. MSP430FR231X Block Diagram

## 2.2.2 DRV10987

The DRV10987 is a three-phase sensorless motor driver with integrated power MOSFETs, which provide drive current capability up to 2 A (continuous). The device uses a proprietary 180° sensorless control scheme to provide continuous sinusoidal drive, which significantly reduces the pure-tone acoustics that typically occur as a result of commutation by keeping the electrically-induced torque ripple small. Therefore, the device is specifically designed for 12- to 24-V motor drive applications with low noise and a low external component count.

The device is configurable through a simple I<sup>2</sup>C interface to reprogram specific motor parameters in registers, and program the EEPROM to accommodate different motor parameters and spin-up profiles for different customer applications. The user can control the motor directly through the PWM input, analog input, or I<sup>2</sup>C inputs. The motor speed feedback is available through either the FG pin or I<sup>2</sup>C interface.

The DRV10987 features extensive protection and fault detect mechanisms to ensure reliable operation. Voltage surge protection prevents the input VCC capacitor from overcharging, which is typical during motor deceleration. The device provides overcurrent protection without the requirement of an external current sense resistor. Rotor lock detect is available through several methods. The user can configure these methods with register settings to ensure reliable operation. The device provides additional protection for undervoltage lockout (UVLO) and for thermal shutdown.

The DRV10987 driver features an integrated buck and linear regulator to efficiently step down the supply voltage to either 5 V or 3.3 V for powering both internal and external circuits. The device is available in either a sleep mode or a standby mode version to conserve power when the motor is inactive.

图 3 shows the DRV10987 block diagram.

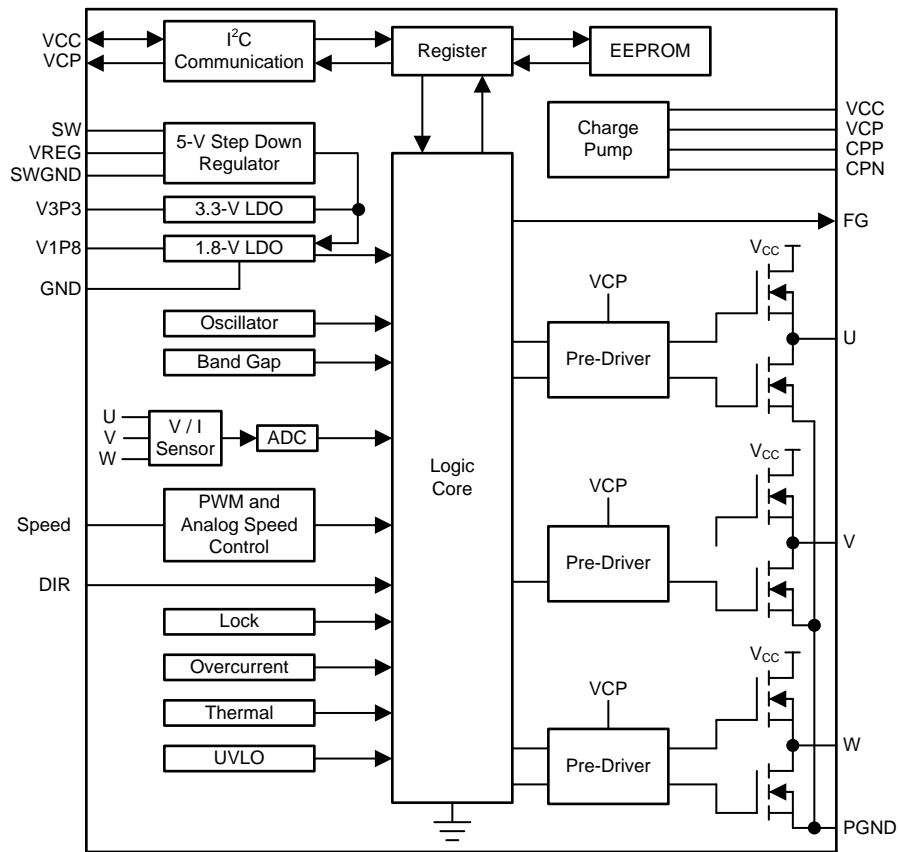


图 3. DRV10987 Block Diagram

### 2.3 System Design Theory

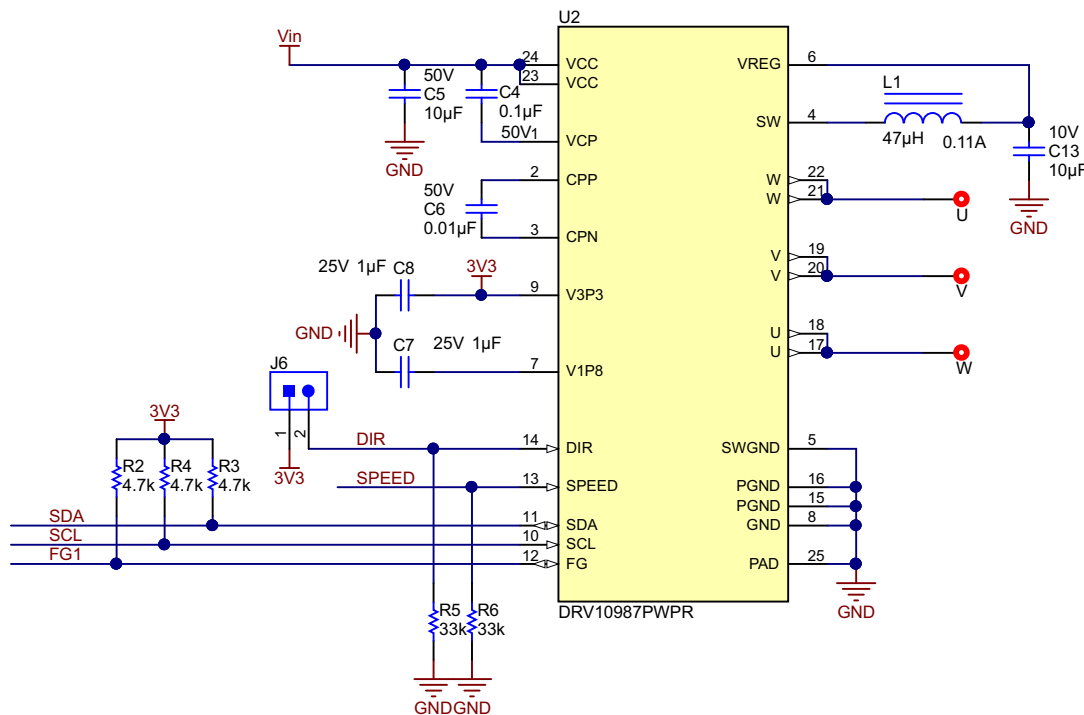
For applications that require high-accuracy speed control, closed loop is the best solution. The block diagram in the previous 图 1 shows that the complete system comprises only two chips: a simple MCU and a BLDC motor driver.

- MSP430FR2311 – Simple microcontroller
- DRV10987 – Integrated motor driver

#### 2.3.1 Motor Drive Section

The DRV10987 is an integrated motor driver which has a built-in 180° sensorless BLDC control scheme.

图 4 shows the schematic of the motor drive section based on the DRV10987.



Copyright © 2018, Texas Instruments Incorporated

图 4. BLDC Motor Driver

The DRV10987 device features an integrated buck regulator to step down the supply voltage efficiently to 5 V for powering both internal and external circuits. The integrated 3.3-V low-dropout linear regulator (LDO) can also be used to provide power for external circuits, such as an MCU. This function eliminates the additional DC/DC converter and saves on system cost. However, in this condition, an inductor L1 (47 µH) and capacitor C13 (10 µF) are necessary to power the external MCU. In this design, the MCU is 3.3 V and draws power from the 3.3-V LDO of the DRV10987 device, which has a 20-mA output capability.

The DRV10987 accepts three types of input speed control signal: analog, PWM, and I<sup>2</sup>C. The MCU reads and writes the registers of the DRV10987 driver through the I<sup>2</sup>C interface to control it. The SPEED pin is connected to the PWM port of the MCU to enable the MCU to control the speed through PWM. On the chip, the DIR pin (pin 14) sets the rotation direction of the motor. By default, the R5 pulls up this DIR pin and the short circuit J6 can pull it down. Keep J6 open when using the MCU to control the direction. The DRV10987 device provides information about the motor speed through the frequency generate (FG) pin to the MCU to allow monitoring of the actual speed. 表 2 lists the connector definitions.

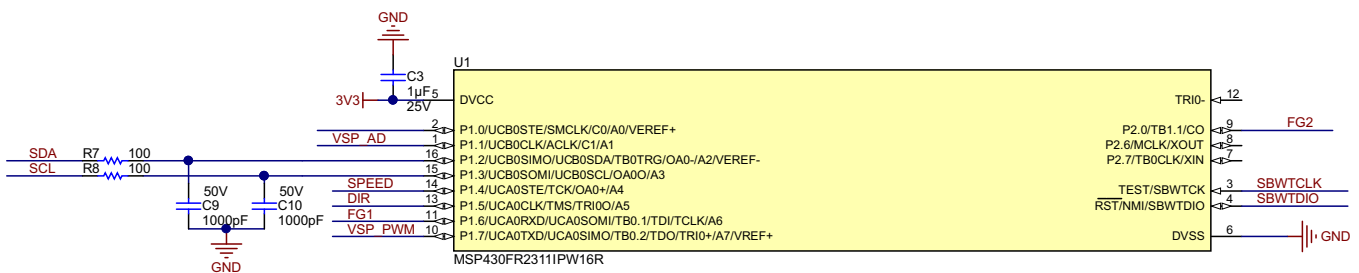
表 2. Connector Description

CONNECTOR	PINS	DESCRIPTION
J1 <sup>(1)</sup>	1: VIN; 2: GND; 3: SPD; 4: FG	External power input and speed command interface
J2	1: GND; 2: TCK; 3: TDIO; 4: 3V3	Reserved for MSP430™ MCU programming; connect to external specified programmer or LaunchPad™ Development Kit
J3	1: ANALOG; 2: SPD; 3: PWM	External signal type selection for speed control; short circuit pins 1 and 2 for analog or short circuit pins 2 and 3 for PWM
J4	1: FG_DRV; 2: FG; 3: FG_MSP	Output signal type selection for motor speed feedback; short circuit pins 1 and 2 for DRV10987 output or short circuit pins 2 and 3 for MCU output
J6	1: 3V3; 2: DIR	Motor spin direction control; short circuit pins 1 and 2 for reverse rotation; if MCU determines the direction, keep it open

<sup>(1)</sup> Operation voltage ranges from 6.2 V to 28 V. The test setup (see 3.2 节) uses a normal value of 24 V to run the specified motor. SPD is defined as the external speed control signal input. Specify this pin as analog or PWM by setting J3.

### 2.3.2 Closed-Loop Section

图 5 shows the closed-loop section of the reference design.



Copyright © 2018, Texas Instruments Incorporated

图 5. Closed-Loop Section

An MSP430FR2311 MCU functions as the closed loop in this reference design. The MCU accepts the external speed command, which is either analog or PWM, from the SPD pin of connector J1. The integrated buck and linear regulator of the DRV10987 device powers the MCU, eliminating the need for an additional power source (see 节 2.3.1). The user can obtain the actual motor speed feedback from the FG pin of J1. To achieve high-accuracy speed control, the MCU sends a PWM speed control signal to DRV10987 through pin 14 (P1.4) after calculating the closed-loop PI algorithm. Pin 13 (P1.5) has been assigned to control the spin direction of the motor, which requires the J6 connector to be open. The user can also obtain the actual speed of the motor through pin 9 (P2.0) by short-circuiting the FG and FG\_MSP pins of J4.

### 2.3.3 PI Closed-Loop Speed Control

This reference design implements a proportional-integral (PI) control algorithm for closed-loop speed control. PI control algorithms have two basic modes: position mode and increment mode. 公式 1 shows a discrete expression of the position mode of the PI algorithm:

$$\mu_k = K_p \times e_k + K_i \times \sum_{i=1}^{k-1} e_i + \mu_0 \tag{1}$$

where,

- $e_k$  is the speed error,
- $K_p$  is the proportional gain,



- $e_k$  is the integration factor.

When using a position mode PI algorithm, the main issue occurs when switching between closed loop and open loop because the system creates an impulse, which results in an unstable motor. The output of position mode PI control directly relates to all past statuses. The limited precision and memory of the speed calculations in the MCU creates unavoidable accuracy errors in the full-position calculations.

For these reasons, this reference design makes use of the increment mode PI algorithm. 公式 2 shows the formula. 公式 3 shows the simplified formula.

$$\Delta\mu_k = \mu_k - \mu_{k-1} = K_P \times (e_k - e_{k-1}) + K_I \times e_k \quad (2)$$

$$\mu_k = \mu_{k-1} + (K_P + K_I) \times e_k - K_P \times e_{k-1} \quad (3)$$

The control increment is output and then added to the current control input. This action drives the PWM to adjust the speed of the motor. MCU implementation also becomes easier with the incremental speed control (see 图 6).

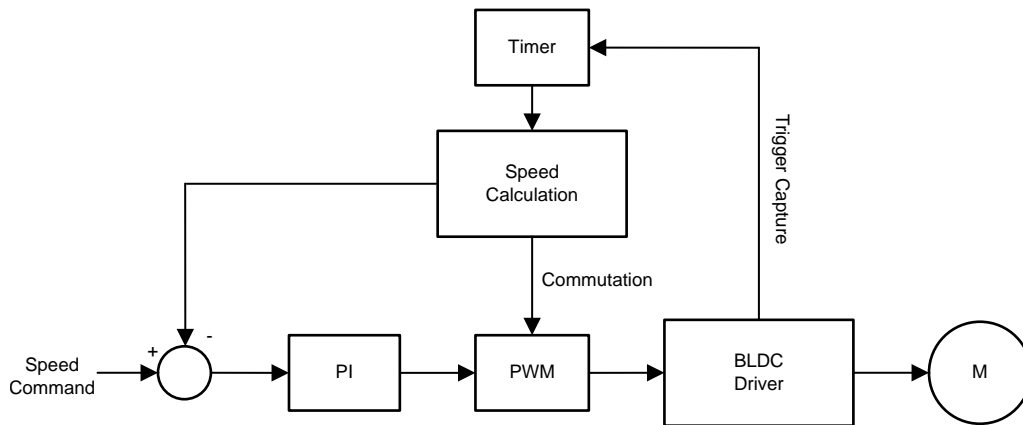


图 6. PI Closed-Loop Speed Control

### 2.3.4 Thermal Design

Proper thermal design is crucial for safe and reliable operation of semiconductors. Operating a semiconductor at higher operating temperatures reduces the area of safe operation and can result in failure or reduced life of the device.

The goal of the thermal design is to limit the junction temperature of the switches inside the DRV10987 device within the safe values. The data sheet specifies that the insulated-gate bipolar transistor (IGBT) has a maximum junction temperature rating of 150°C. This specification indicates that the user must design a heat dissipation area to account for this limit when operating at the full load capacity.

### 3 Hardware, Software, Testing Requirements, and Test Results

#### 3.1 Required Hardware and Software

##### 3.1.1 Hardware

##### 3.1.1.1 Hardware Overview

图 7 shows the overview of the PCB for the TIDA-01585 design. The previous 表 2 describes the connector configuration.

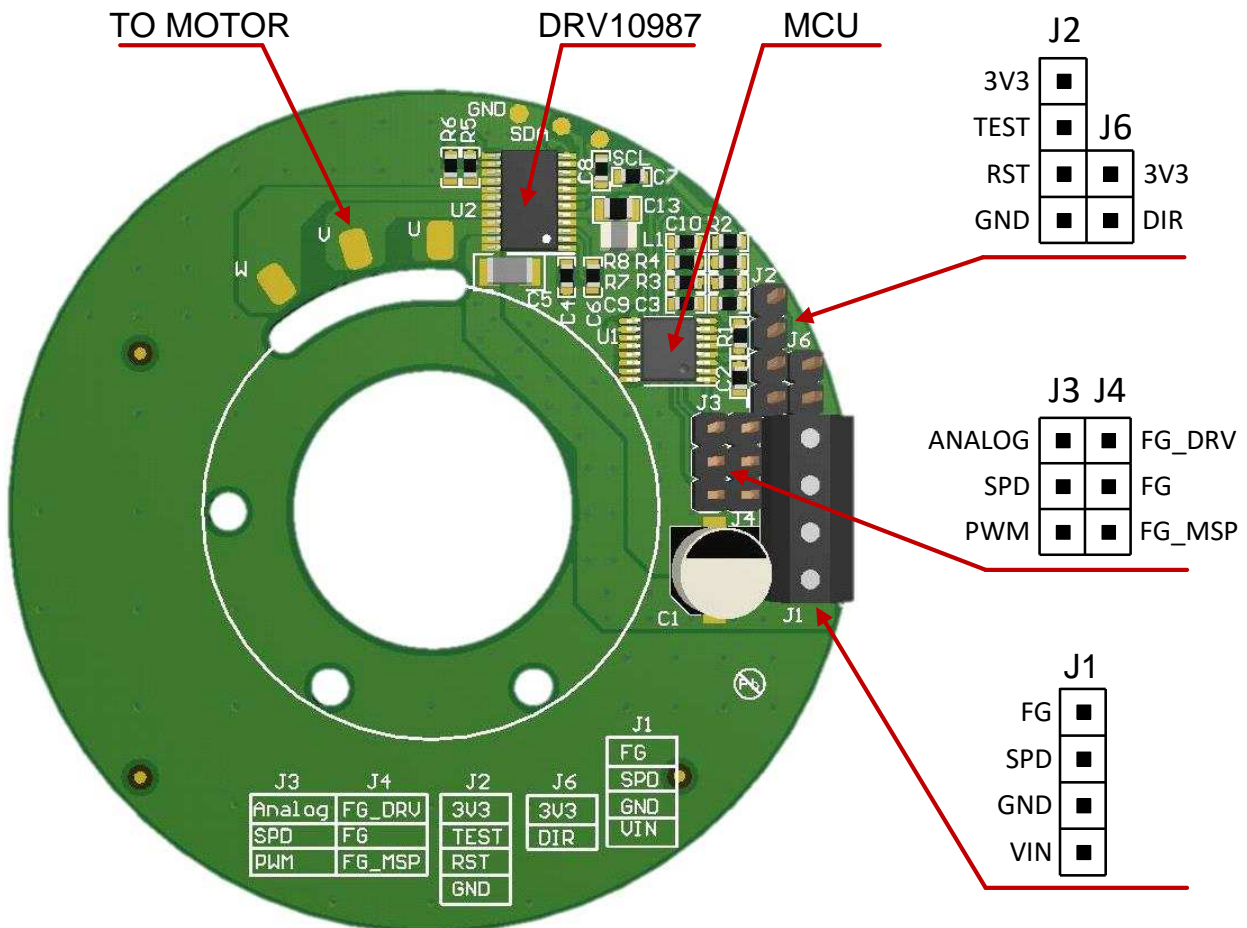


图 7. Hardware Overview

##### 3.1.1.2 Programming Interface for MSP430™ MCU

J2 is reserved as the programming interface for the MCU. The designer can program the MSP430 MCU using the JTAG port, Spy-Bi-Wire (SBW), and the bootloader BSL. In this reference design, SBW has been adopted for programming and is a two-wire Spy-Bi-Wire interface. Spy-Bi-Wire can be used to interface with MSP430 development tools and device programmers. 表 3 lists the Spy-Bi-Wire interface pin requirements. For further details on interfacing to development tools and device programmers, see [MSP430 Hardware Tools User's Guide](#).

**表 3. Spy-Bi-Wire Pin Requirements and Functions**

J2 PIN NO.	DEVICE SIGNAL	DIRECTION	SBW FUNCTION
1	VSS	—	Ground supply
2	TEST/SBWTCK	IN	Spy-Bi-Wire clock input
3	RST/NMI/SBWDIO	IN, OUT	Spy-Bi-Wire data input and output
4	VCC	—	Power supply

### 3.1.2 Firmware

#### 3.1.2.1 Application Firmware Description

The firmware of this reference design runs on MSP430FR2311, in which a PI algorithm of closed-loop speed control is implemented. The firmware also configures the DRV10987 over I<sup>2</sup>C and reads the actual speed of motor. The user must adjust the parameters of the DRV10987 device based on a specific motor by editing DRV10987.c file.

表 4 lists the system components for the firmware of this reference design.

**表 4. TIDA-01585 Firmware System Components**

ITEMS	DESCRIPTION
Integrated development environment (IDE)	<a href="#">Code Composer Studio™ (CCS) v7.4</a>
Target MCU	<a href="#">MSP430FR2311</a>
LaunchPad™ Development Kit	<a href="#">MSP430™ LaunchPad™</a>
MCU - DRV10987 connection	P1.2 — SDA
	P1.3 — SCL
	P1.4 — SPEED
	P1.5 — DIR
	P1.6 — FG
MCU digital inputs and outputs	P1.1 — PIN1 J3
	P1.7 — PIN3 J3
	P2.0 — PIN3 J4

#### 3.1.2.2 Prerequisites for Developing and Running TIDA-01585

This reference design board can work as a stand-alone board after flashing the MCU firmware and downloading it to the MSP430 MCU. To develop and debug the firmware using TI's [CCS Integrated Development Environment \(IDE\)](#), a TI [LaunchPad](#) kit is required for programming and debugging the reference board. 图 8 shows the hardware interconnections required between the design board and the LaunchPad for flashing the code in this reference design. Make sure that the jumper has been removed before connecting the LaunchPad and TIDA-01585 board.

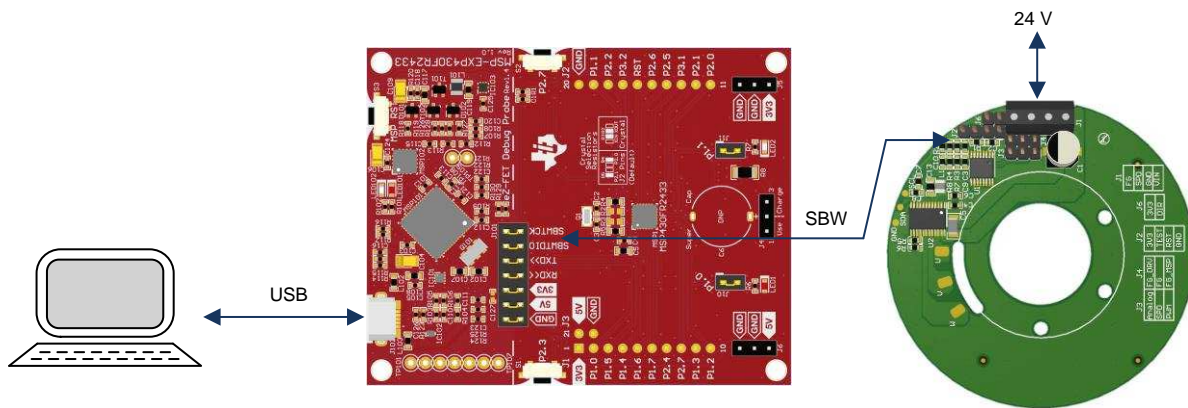


图 8. LaunchPad™ and TIDA-01585 Board Connections Diagram

Make sure to download and install the following prerequisites to the computer:

- [Code Composer Studio™ \(CCS\) v7.4](#)
- [TIDA\\_01585\\_RevA Firmware](#)

### 3.1.2.3 Programming MSP430™

The user can edit and program the firmware of the MSP430 MCU. The instructions for programming the TIDA-01585 board are as follows:

1. Import the TIDA\_01585\_RevA project using TI's CCS software.
2. Connect the LaunchPad programmer to the TIDA-01585 board, as the previous 图 8 shows.
3. Build the project by clicking the *Build* button (hammer icon), which if run successfully, appears as follows in 图 9.
4. Click the *Debug* button (bug icon) as shown in 图 9.

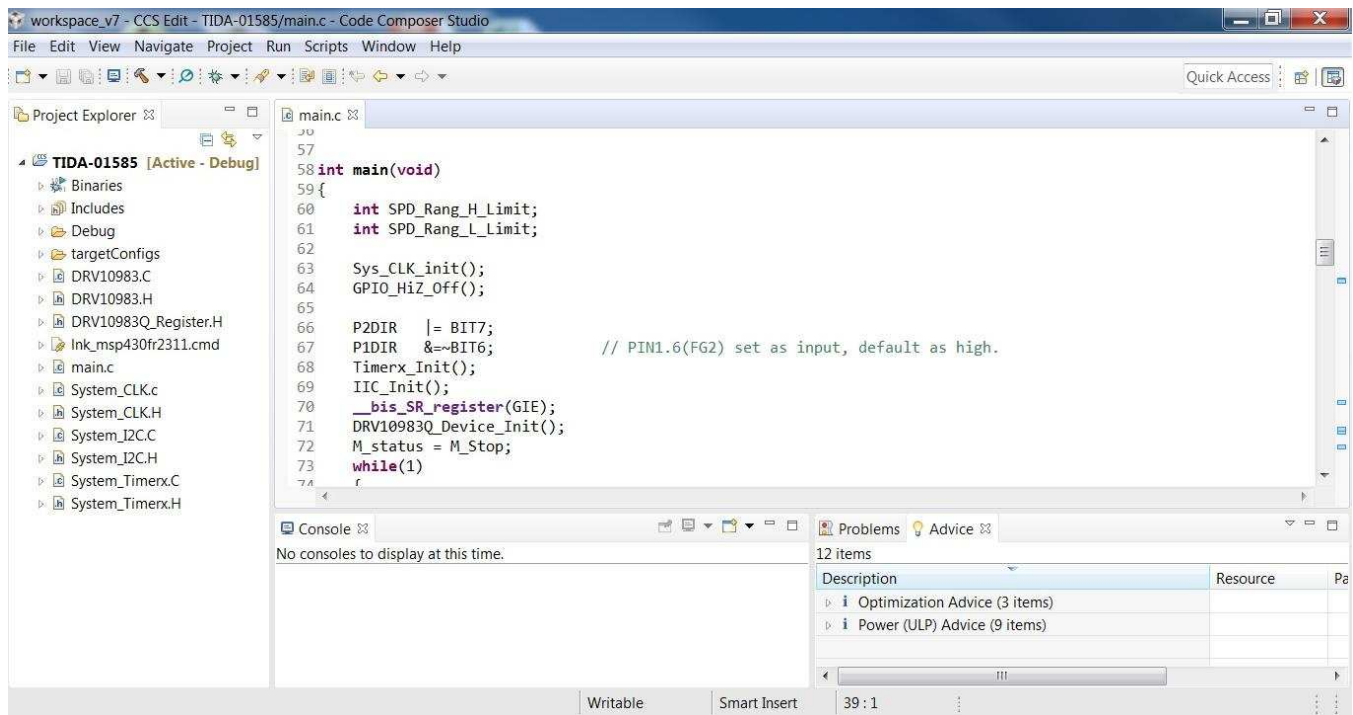


图 9. Build and Debug Using Code Composer Studio™ From TI

### 3.1.2.4 Flow Chart Overview

图 10 shows the flow chart of the firmware in the MCU. TI offers a firmware example in which a PI algorithm has been implemented. The user can set and modify different PI parameters in different states to guarantee a smooth and slow start, restart, or both, while allowing a fast response between load transient or speed variation from one to another.

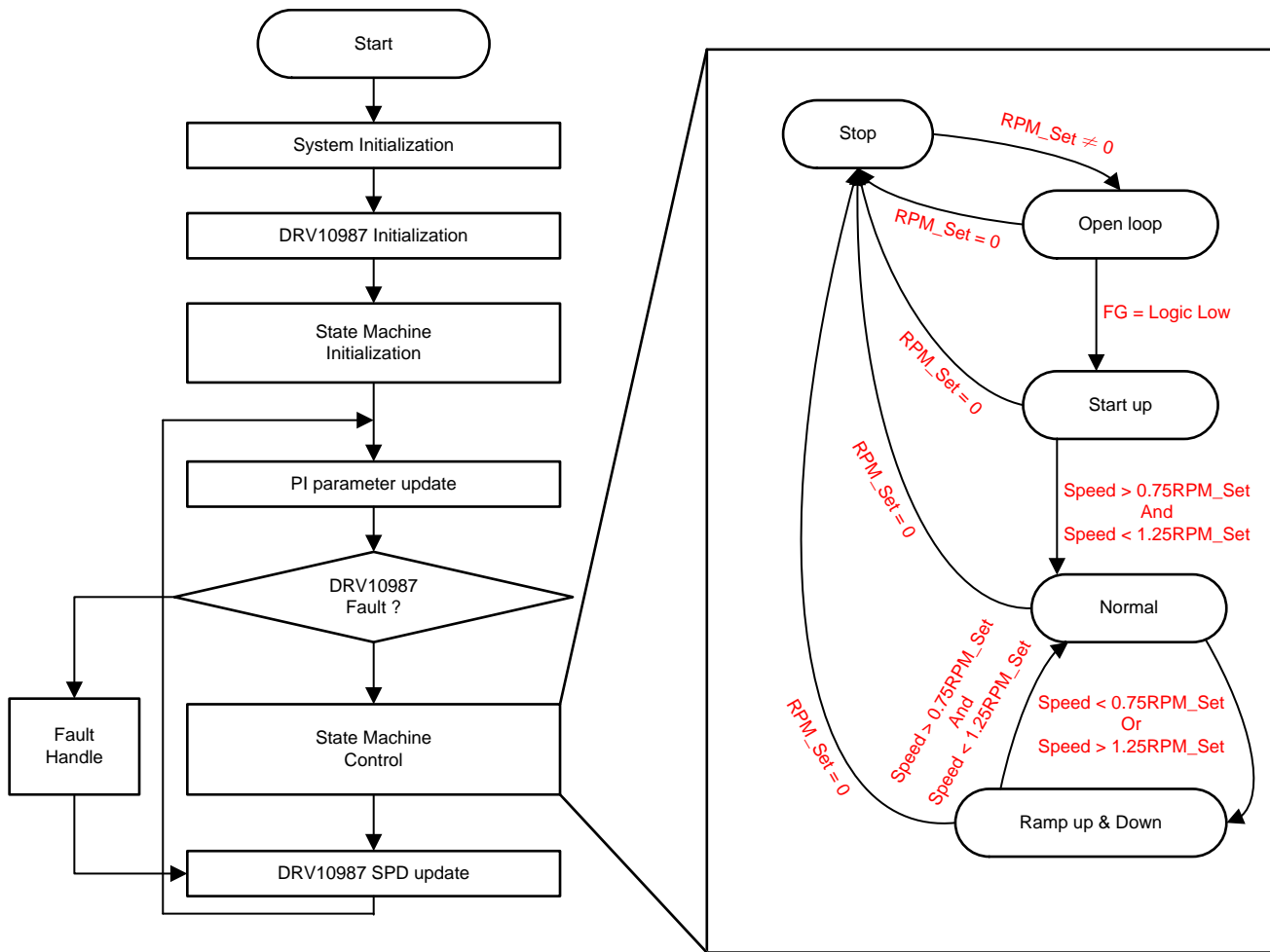


图 10. Flow Chart Overview

## 3.2 Testing and Results

### 3.2.1 Test Setup

#### 3.2.1.1 Get Prepared

Testing the performance of the reference design board requires some materials and equipment for preparation. 表 5 lists the materials required for the test setup and their basic usage. The user can load a different motor, but must adjust the firmware before testing.

表 5. Materials for Test Setup

MATERIALS	USAGE	COMMENTS
LaunchPad™	Debug and program	MSP-EXP430FR2433 Development Kit
Computer	Debug and program	<a href="#">Code Composer Studio™ (CCS) v7.4</a> downloaded and installed
TIDA-01585 board	Main driver board	Firmware programmed
24-V BLDC motor	Main power motor	0 to 1000 RPM, $P_{MAX} > 36$ W
Fan blade	Normal load	Different sizes and pieces of blade will have different max loads
DC source	Power supply	Up to 24 V, 2 A
Signal source	Speed control input	Input signal: 5 to 20 kHz, 3.3-V logic level

#### 3.2.1.2 Test Setup Procedure

The following steps show how to set up the test platform in the lab during the test:

1. Ensure that the firmware has been programmed into the MCU (see 节 3.1.2)
2. Connect the three-phase output U, V, and W to the motor windings.
3. Connect the DC power source to the TIDA-01585 board. Keep the power OFF.
4. Set the spin direction through the J6 pin. Short circuit or open for different direction.
5. Set the input speed control signal mode as PWM by short circuiting the SPD and PWM pins of J3. The PWM mode is the default mode in the firmware.
6. Short circuit the FG and FG\_DRV pins of J4 to choose DRV10987 as the actual speed output.
7. Connect the PWM signal source to the SPD pin of J1.
8. Fix the motor and fan blade in the fixture.
9. Ensure the output voltage of the DC power source is 24 V and maximum output current is 2 A. Power on the design.

图 11 shows an image of the test setup in action.

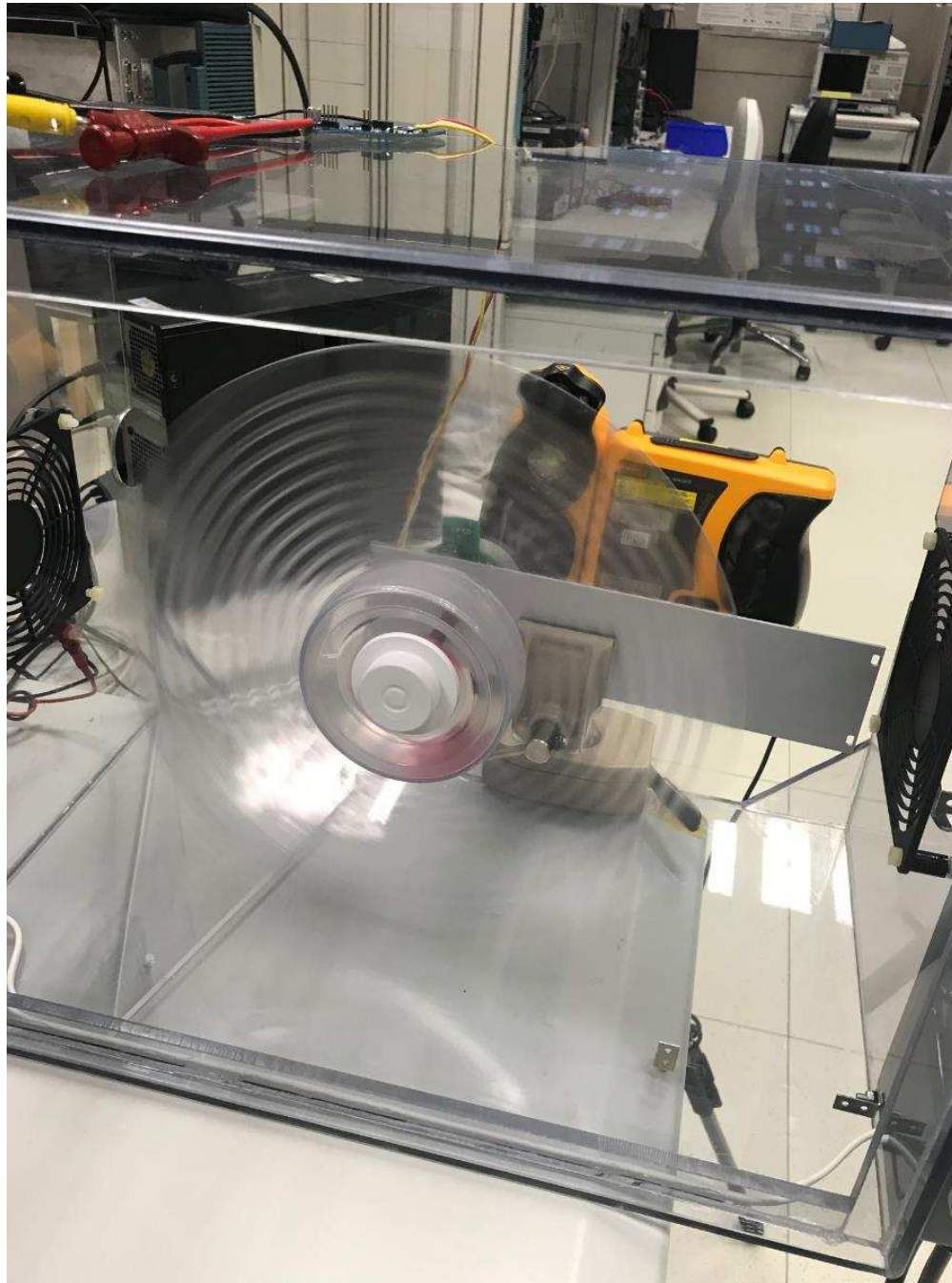


图 11. Test Setup Image



### 3.2.2 Test Results

The test includes the start-up profile, runtime waveform, acceleration, deceleration, speed accuracy, and different protection tests.

#### 3.2.2.1 Start-Up Profile

In this reference design, all the parameters for DRV10987 have been optimized based on one specified motor. These designer must modify the parameters if using a different motor. TI proposes using a [graphic user interface](#) (GUI) to optimize the parameters of the DRV10987 for a new motor. After establishing the optimized parameters through a GUI, the user must edit the DRV10987.c file to program the MCU for the new motor. The following subsections specify the configuration of parameters for the tested motor.

##### 3.2.2.1.1 Case 1—Stationary Motor

As [图 12](#) shows, a small current pulse occurs at the beginning of start-up because of the Initial Position Detection (IPD) function of the DRV10987 to detect the initial rotor position. After the IPD finishes, the open-loop acceleration occurs. The speed of motor enters a closed loop control after reaching a defined threshold value through the PI control algorithm from the MCU, where the motor accelerates further.

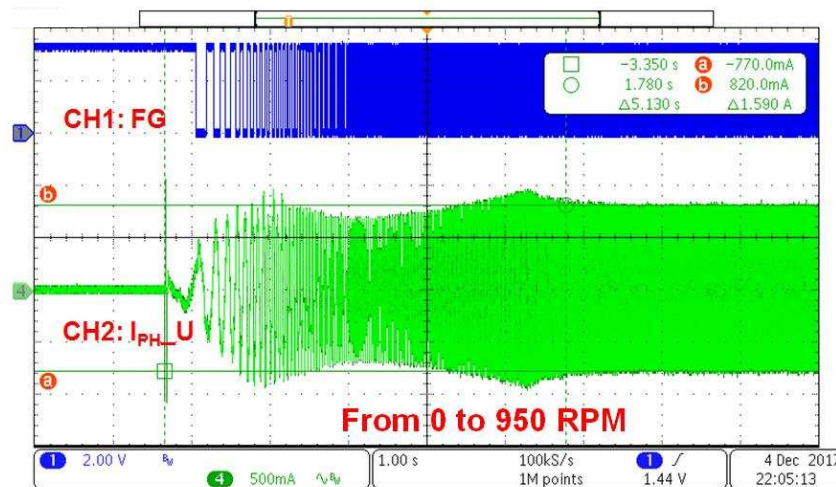


图 12. Start-Up: Stationary Motor

### 3.2.2.1.2 Case 2—Motor Spinning in Forward Direction

As 图 13 shows, the motor enters the open-loop acceleration directly if it is spinning in a forward direction. The motor speed enters a closed loop control after reaching a defined threshold value through the PI control algorithm from the MCU, where it accelerates further.

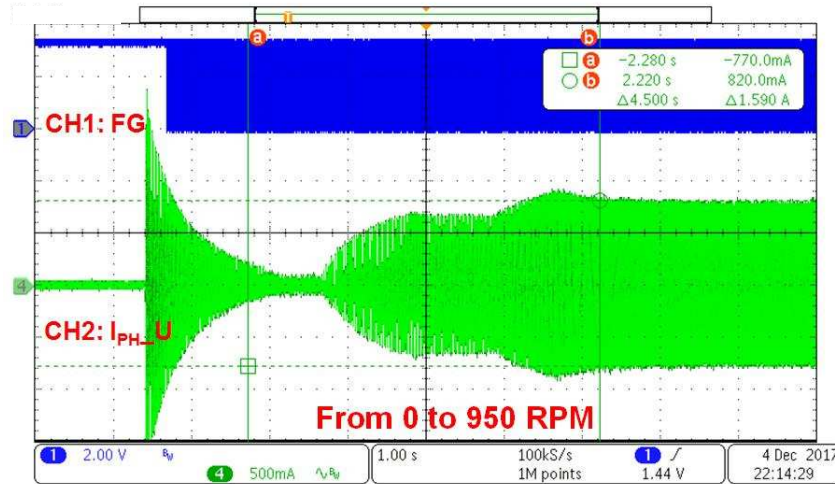


图 13. Start-Up: Motor Spinning in Forward Direction

### 3.2.2.1.3 Case 3—Motor Spinning in Reverse Direction

图 14 shows the start-up waveform when motor is spinning in the reverse direction. Reverse drive allows the motor to be driven so that it accelerates through zero velocity. The motor achieves the shortest possible spin-up time in systems where the motor is spinning in the reverse direction

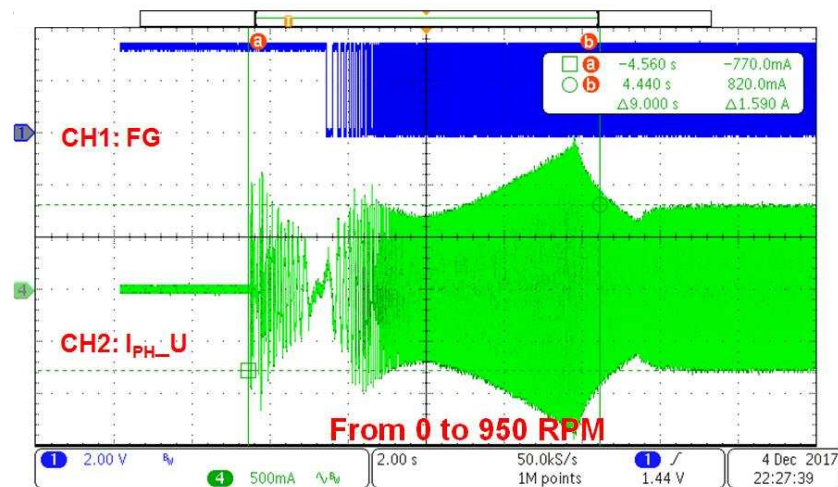


图 14. Start-Up: Motor Spinning in Reverse Direction

### 3.2.2.2 Run Time

图 15 显示了由 DRV10987 设备驱动的电机绕组的电流和相对于负 DC 总线测量的绕组电压。

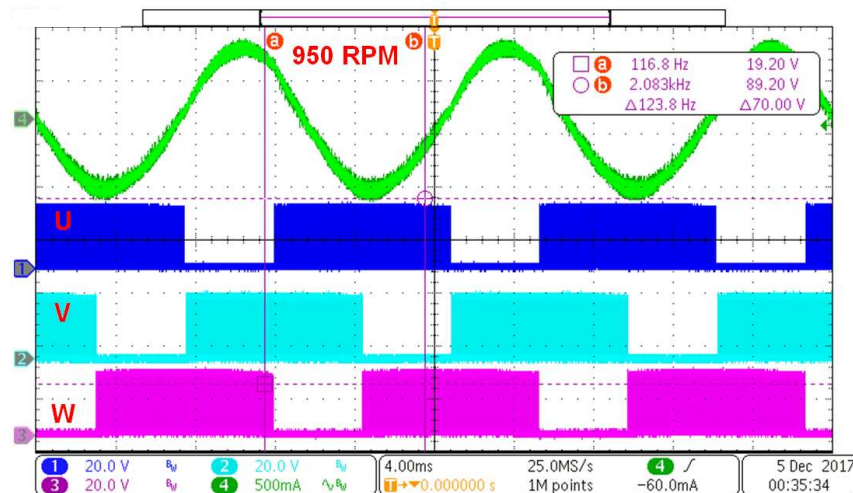


图 15. Run Time at 950 RPM

速度控制环由 MCU 在控制环带宽为 20 Hz 时关闭。风扇叶片具有大量惯性，需要时间才能稳定到目标速度，这就是保持控制带宽非常小的原因。保持较小的控制带宽可确保在目标点时转子速度的最小振荡。

### 3.2.2.3 Acceleration

图 16 显示了加速期间的绕组电流波形以及相对于负 DC 总线的三相输出电压。

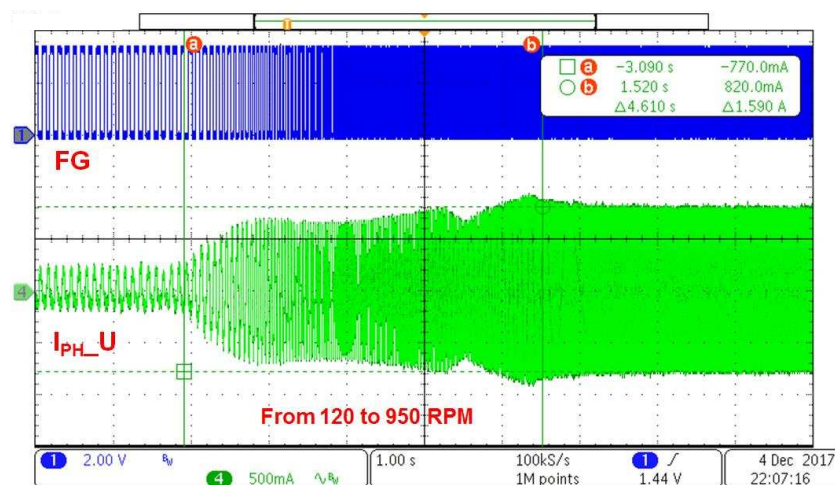


图 16. Acceleration

### 3.2.2.4 Deceleration

图 17 shows the winding current waveform of motor as well as the three-phase output voltage with respect to the negative DC bus during the deceleration period.

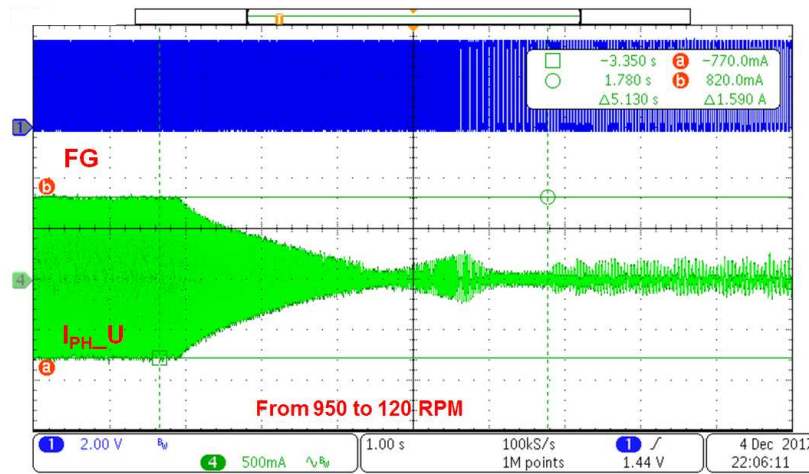


图 17. Deceleration

### 3.2.2.5 Accuracy of Speed Control

The onboard MCU MSP430FR2311 adjusts the duty cycle based on the PI control algorithm to maintain the motor speed at the desired setting. The PWM duty is modified after reading the speed from the DRV10987 device over the I<sup>2</sup>C interface. During testing, the control loop was running at 20 Hz, which is significantly slower considering the nature of the load, which takes time to settle (see 表 6).

表 6. Accuracy of Speed Control

DUTY CYCLE	Speed_Set	Speed_Actual	GAP	ERROR%
15	150	151	1	0.67
20	200	201	1	0.50
25	250	251	1	0.40
30	300	300	0	0
35	350	350	0	0
40	400	400	0	0
45	450	449	-1	-0.22
50	500	499	-1	-0.20
55	550	548	-2	-0.36
60	600	598	-2	-0.33
65	650	648	-2	-0.31
70	700	697	-3	-0.43
75	750	747	-3	-0.40
80	800	797	-3	-0.38
85	850	846	-4	-0.47
90	900	896	-4	-0.44
95	950	946	-4	-0.42
98	980	976	-4	-0.41

### 3.2.2.6 Protection Test

The DRV10987 has comprehensive protection features, such as overcurrent protection (phase-to-phase, phase-to-GND, and phase-to-VCC short circuits), rotor lock detection, anti-voltage surge (AVS) protection, under-voltage lockout (UVLO), overvoltage protection, thermal warning, and shutdown.

#### 3.2.2.6.1 Rotor Lock Test

The motor speed is set at 500 RPM.

When the motor is blocked or stopped by an external force, lock protection is triggered, and the device stops driving the motor immediately. 图 18 shows the protection waveform of rotor lock during the start-up phase. The DRV10987 device will try to start driving the motor again every 1.7 s (the user can make this setting in the register) until the lock condition is removed.

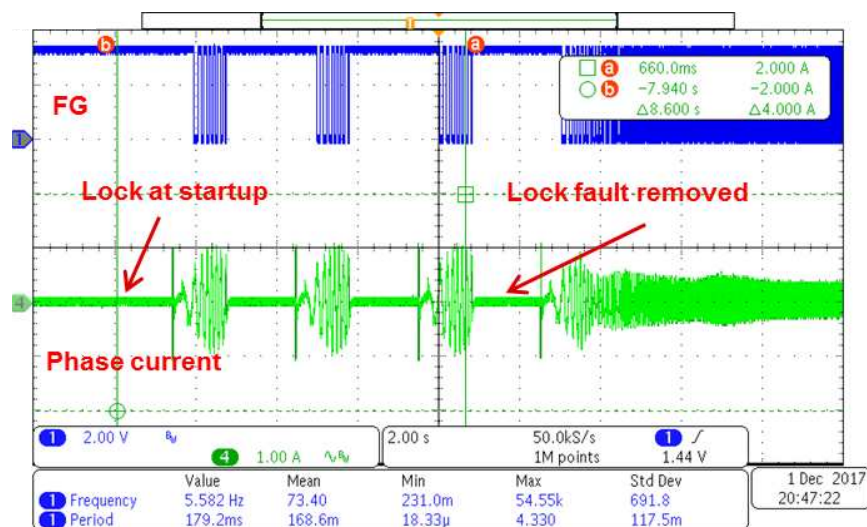


图 18. Rotor Lock During Start-up

图 19 shows the protection waveform of rotor lock during normal spinning. The phase current increases rapidly and then the protection threshold is triggered. The DRV10987 device defines it as a lock fault and stops the motor. After the lock release time  $t_{LOCK\_OFF}$ , the DRV10987 device resumes driving the motor again like the start-up.

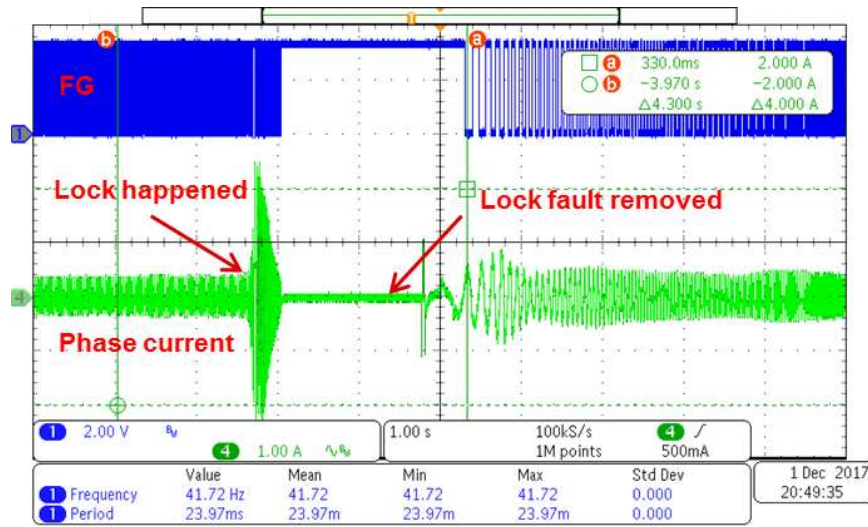


图 19. Rotor Lock While Spinning

### 3.2.2.7 Thermal Test

To better understand the temperature of power components and the maximum possible operating temperature, the thermal images were plotted at room temperature (25°C) with a closed enclosure, no airflow, and at different load conditions with different input voltages. The board was allowed to run for 30 minutes before capturing a thermal image.

图 20 shows the thermal image for the top side and bottom side of the board. The input voltage is 24-V DC and 1.5 A with a 36-W power output.

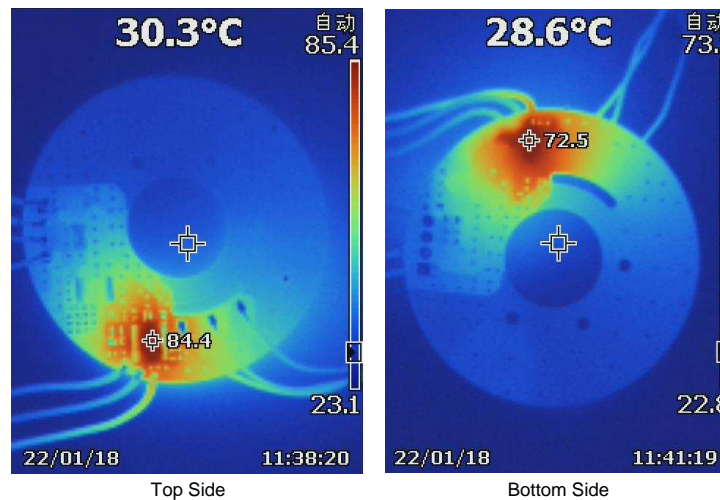


图 20. Temperatures at 24-V DC Input and 36-W Output

### 3.2.2.8 3.3-V Power Supply Generated by DRV10987

图 21 shows the 3.3 V generated from the DRV10987 step-down regulator. 图 22 shows the ripple in the 3.3-V rail.

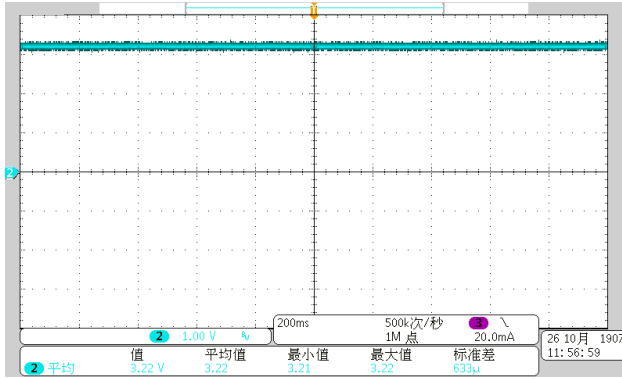


图 21. Output Voltage of 3.3 V From Step-Down Regulator of DRV10987

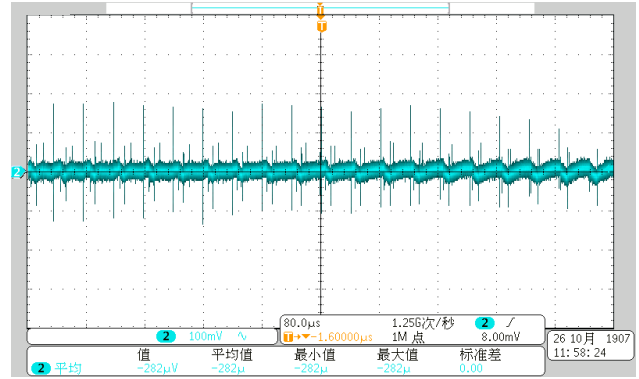


图 22. Ripple in 3.3-V Output From Step-Down Regulator of DRV10987

## 4 Design Files

### 4.1 Schematics

To download the schematics, see the design files at [TIDA-01585](#).

### 4.2 Bill of Materials

To download the bill of materials (BOM), see the design files at [TIDA-01585](#).

### 4.3 PCB Layout Recommendations

Use the following layout recommendations when designing the DRV10987 part of the PCB.

- Place the VCC, GND, U, V, and W pins with thick traces because high current passes through these traces.
- Place the capacitor between CPP and CPN, and as close to the CPP and CPN pins as possible.
- Place the capacitor between V1P8 and GND, and as close to the V1P8 pin as possible.
- Connect GND, PGND, and SWGND under the thermal pad.
- Keep the thermal pad connection as large as possible, on both the bottom side and top sides. The pad must be one piece of copper without any gaps.

#### 4.3.1 Layout Prints

To download the layer plots, see the design files at [TIDA-01585](#).

### 4.4 Altium Project

To download the Altium project files, see the design files at [TIDA-01585](#).

### 4.5 Gerber Files

To download the Gerber files, see the design files at [TIDA-01585](#).

### 4.6 Assembly Drawings

To download the assembly drawings, see the design files at [TIDA-01585](#).

## 5 Software Files

To download the software files, see the design files at [TIDA-01585](#).

## 6 Related Documentation

1. Texas Instruments, [MSP430™ Hardware Tools User's Guide](#)
2. Texas Instruments, [DRV10987 12- to 24-V, Three-Phase, Sensorless BLDC Motor Driver](#)
3. Texas Instruments, [MSP430FR231x Mixed-Signal Microcontrollers](#)
4. Texas Instruments, [DRV10987 Tuning Guide](#)
5. Texas Instruments, [Integrated 30-W Sensorless BLDC Motor Drive Retrofit Reference Design With 90- to 265-V AC Input](#)

### 6.1 商标

E2E, MSP430, LaunchPad, Code Composer Studio are trademarks of Texas Instruments. All other trademarks are the property of their respective owners.



## 7 Terminology

- AVS**— Anti-voltage surge
- BLDC**— Brushless DC (motor)
- BSL**— Bootloader
- CCS**— Code Composer Studio
- CPU**— Central processing unit
- ESD**— Electrostatic discharge
- FET**— Field-effect transistor
- FRAM**— Ferroelectric random-access memory
- IDE**— Integrated development environment
- IGBT**— Insulated gate bipolar transistor
- MCU**— Microcontroller unit
- MOSFET**— Metal–oxide–semiconductor field-effect transistor
- PI**— Proportional integral
- PWM**— Pulse width modulation
- RISC**— Reduced instruction set computing
- RMS**— Root mean square
- RPM**— Rotation per minute
- SBW**— Spy-Bi-Wire
- SFF**— Small form factor
- SPI**— Serial peripheral interface
- SRAM**— Static random-access memory
- UVLO**— Undervoltage lockout

## 8 About the Author

**YICHANG (RICHARD) WANG** is a systems architect at Texas Instruments, where he is responsible for developing reference design solutions for the industrial segment. Richard brings to this role his extensive experience in home appliances, including power electronics, high-frequency DC-DC, AC-DC converters, analog circuit design, and so forth. Richard got his master's degree in electrical engineering and automation from Nanjing University of Aeronautics and Astronautics, China.

**KIM YANG** is a Field Applications Engineer at Texas Instruments, where he is responsible for supporting analog solution design for industrial customer and home appliances application. Kim's extensive experience in home appliances is including industrial interface, DC/DC, AC/DC converter, signal chain and so forth. Kim got his Bachelors and master's degree in power electronics and power drives from Wuhan University of Technology, China.

## 有关 TI 设计信息和资源的重要通知

德州仪器 (TI) 公司提供的技术、应用或其他设计建议、服务或信息，包括但不限于与评估模块有关的参考设计和材料（总称“TI 资源”），旨在帮助设计人员开发整合了 TI 产品的应用；如果您（个人，或如果是代表贵公司，则为贵公司）以任何方式下载、访问或使用了任何特定的 TI 资源，即表示贵方同意仅为该等目标，按照本通知的条款进行使用。

TI 所提供的 TI 资源，并未扩大或以其他方式修改 TI 对 TI 产品的公开适用的质保及质保免责声明；也未导致 TI 承担任何额外的义务或责任。TI 有权对其 TI 资源进行纠正、增强、改进和其他修改。

您理解并同意，在设计应用时应自行实施独立的分析、评价和判断，且应全权负责并确保应用的安全性，以及您的应用（包括应用中使用的 TI 产品）应符合所有适用的法律法规及其他相关要求。就您的应用声明，您具备制订和实施下列保障措施所需的一切必要专业知识，能够 (1) 预见故障的危险后果，(2) 监视故障及其后果，以及 (3) 降低可能导致危险的故障几率并采取适当措施。您同意，在使用或分发包含 TI 产品的任何应用前，您将彻底测试该等应用和该等应用所用 TI 产品的功能而设计。除特定 TI 资源的公开文档中明确列出的测试外，TI 未进行任何其他测试。

您只有在为开发包含该等 TI 资源所列 TI 产品的应用时，才被授权使用、复制和修改任何相关单项 TI 资源。但并未依据禁止反言原则或其他法律授予您任何 TI 知识产权的任何其他明示或默示的许可，也未授予您 TI 或第三方的任何技术或知识产权的许可，该等许可包括但不限于任何专利权、版权、屏蔽作品权或与使用 TI 产品或服务的任何整合、机器制作、流程相关的其他知识产权。涉及或参考了第三方产品或服务的信息不构成使用此类产品或服务的许可或与其相关的保证或认可。使用 TI 资源可能需要您向第三方获得对该等第三方专利或其他知识产权的许可。

TI 资源系“按原样”提供。TI 兹免除对 TI 资源及其使用作出所有其他明确或默示的保证或陈述，包括但不限于对准确性或完整性、产权保证、无复发故障保证，以及适销性、适合特定用途和不侵犯任何第三方知识产权的任何默认保证。

TI 不负责任何申索，包括但不限于因组合产品所致或与之有关的申索，也不为您辩护或赔偿，即使该等产品组合已列于 TI 资源或其他地方。对因 TI 资源或其使用引起或与之有关的任何实际的、直接的、特殊的、附带的、间接的、惩罚性的、偶发的、从属或惩戒性损害赔偿，不管 TI 是否获悉可能会产生上述损害赔偿，TI 概不负责。

您同意向 TI 及其代表全额赔偿因您不遵守本通知条款和条件而引起的任何损害、费用、损失和/或责任。

本通知适用于 TI 资源。另有其他条款适用于某些类型的材料、TI 产品和服务的使用和采购。这些条款包括但不限于适用于 TI 的半导体产品 (<http://www.ti.com/sc/docs/stdterms.htm>)、[评估模块](http://www.ti.com/sc/docs/sampters.htm)和样品 (<http://www.ti.com/sc/docs/sampters.htm>) 的标准条款。

邮寄地址：上海市浦东新区世纪大道 1568 号中建大厦 32 楼，邮政编码：200122  
Copyright © 2018 德州仪器半导体技术（上海）有限公司