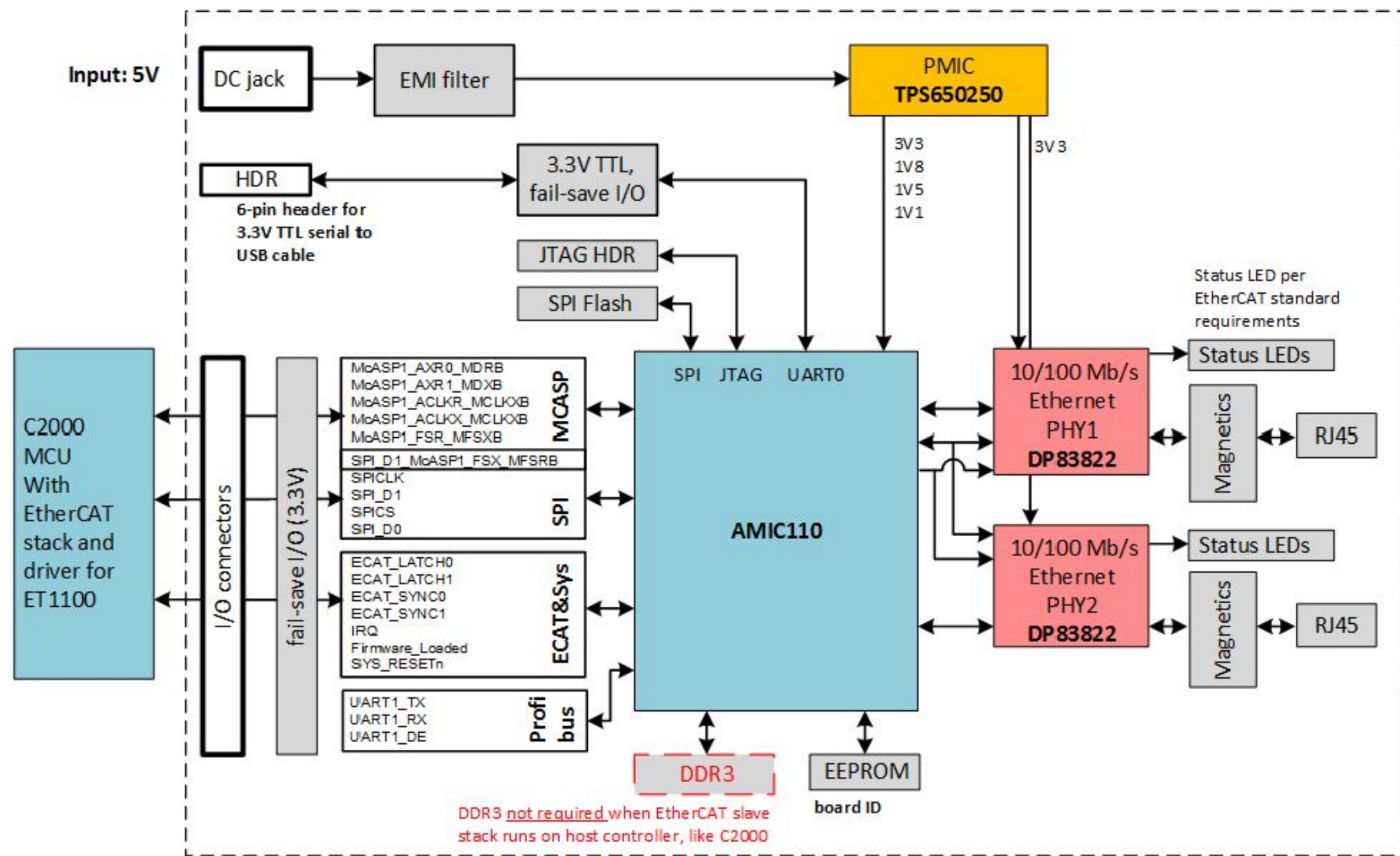
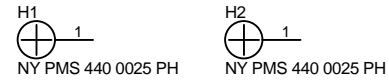


Revision History				
Rev	ECN #	Approved Date	Approved by	Notes
N/A	N/A	N/A	N/A	N/A



The TIDA-00299 design is the same hardware as the TMDXICE110-BTA

Texas Instruments and/or its licensors do not warrant the accuracy or completeness of this specification or any information contained therein. Texas Instruments and/or its licensors do not warrant that this design will meet the specifications, will be suitable for your application or fit for any particular purpose, or will operate in an implementation. Texas Instruments and/or its licensors do not warrant that the design is production worthy. You should completely validate and test your design implementation to confirm the system functionality for your application.



PCB LOGO
Pb-Free Symbol

PCB LOGO
FCC disclaimer

PCB LOGO
ESD Susceptible

PCB LOGO
ESD Susceptible

Variant/Label Table	
Variant	Label Text
001	All Populated
002	DNP option

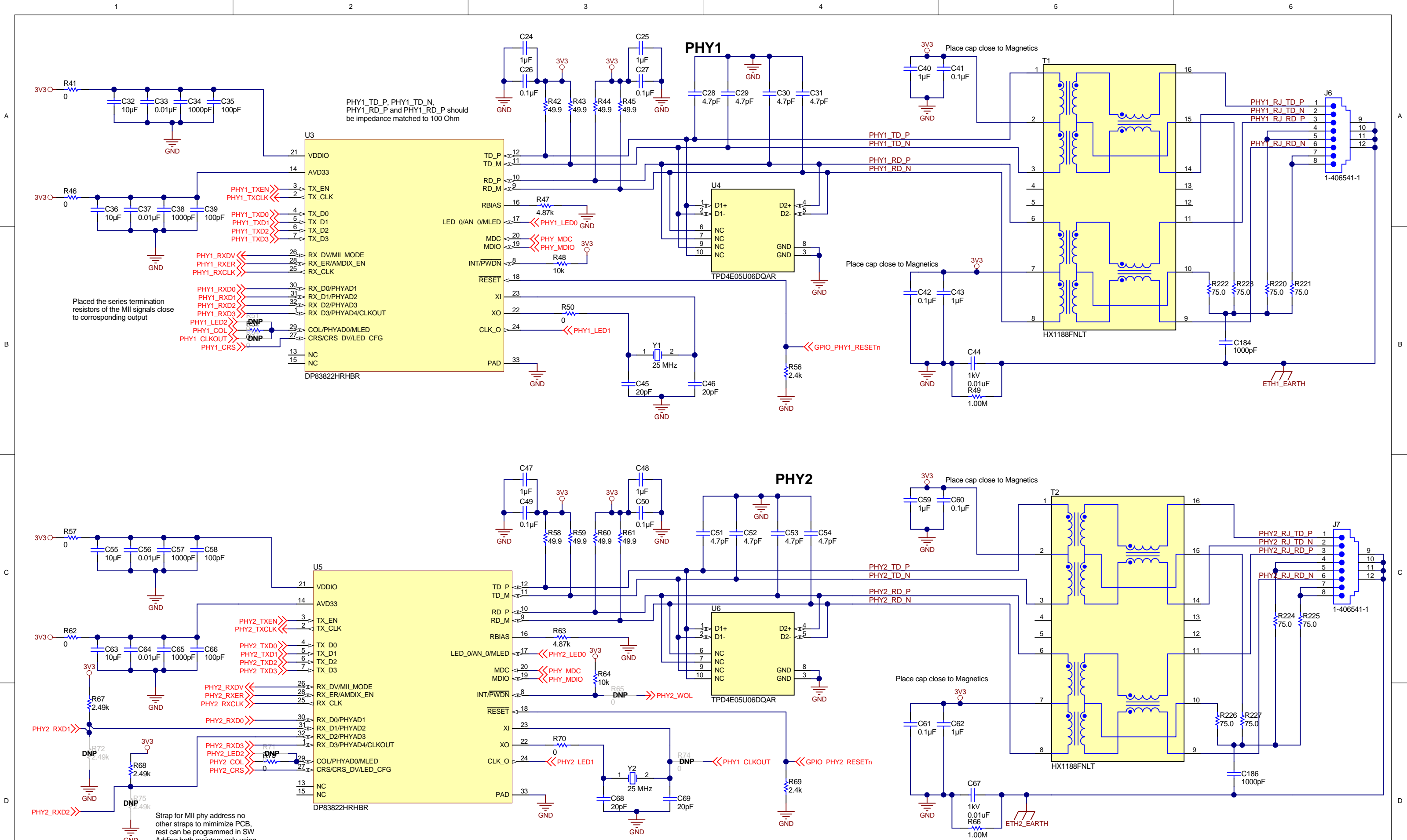
LBL1
PCB Label
Size: 0.65" x 0.20"

ZZ1
Label Assembly Note
This Assembly Note is for PCB labels only

ZZ2
Assembly Note
These assemblies are ESD sensitive, ESD precautions shall be observed.

ZZ3
Assembly Note
These assemblies must be clean and free from flux and all contaminants. Use of no clean flux is not acceptable.

ZZ4
Assembly Note
These assemblies must comply with workmanship standards IPC-A-610 Class 2, unless otherwise specified.



PHY1_TD_P, PHY1_TD_N,
PHY1_RD_P and PHY1_RD_P should
be impedance matched to 100 Ohm

Placed the series termination
resistors of the MII signals close
to corresponding output

Strap for MII phy address no
other straps to minimize PCB,
rest can be programmed in SW
Adding both resistors only using
mode 4(R67 and R68) gnd
connection are DNP

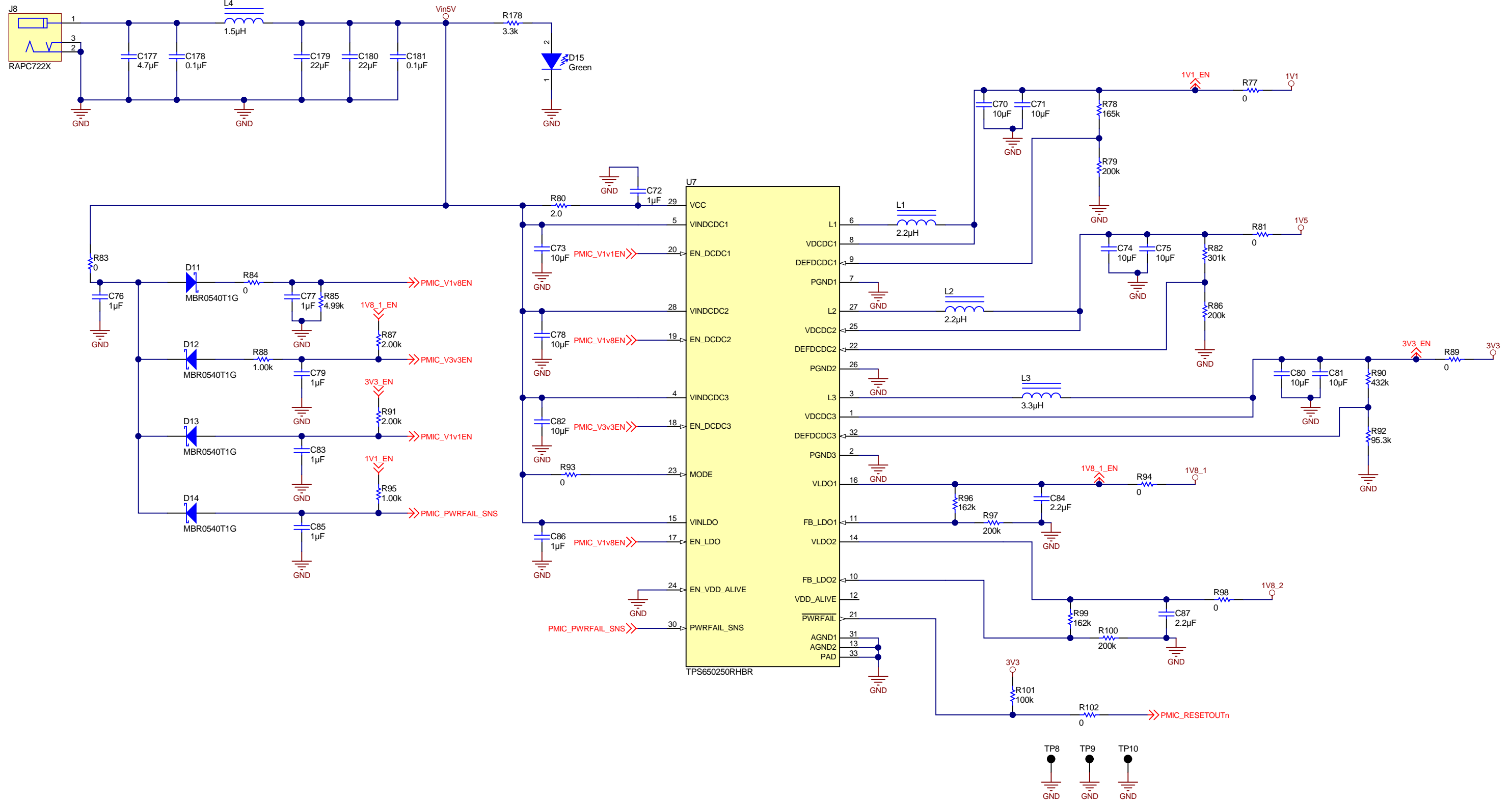
Orderable: N/A	Designed for: Public Release	Mod. Date: 9/7/2018
TID #: TIDA-00299	Project Title: Cost Optimized Robust EtherCAT Slave and Multi-Protocol Industrial Ethernet Reference Design	
Number: TIDA-00299	Rev: E2.1	Sheet: 3 of 1
SVN Rev: Not in version control	Assembly Variant: 001	File: AMIC110 ICE EVM_PHY.SchDoc
Drawn By:	Engineer: Mogensen/Staebler	Contact: http://www.ti.com/support
Size: B	© Texas Instruments 2017	

Texas Instruments and/or its licensors do not warrant the accuracy or completeness of this specification or any information contained therein. Texas Instruments and/or its licensors do not warrant that this design will meet the specifications, will be suitable for your application or fit for any particular purpose, or will operate in an implementation. Texas Instruments and/or its licensors do not warrant that the design is production worthy. You should completely validate and test your design implementation to confirm the system functionality for your application.

DC input jack

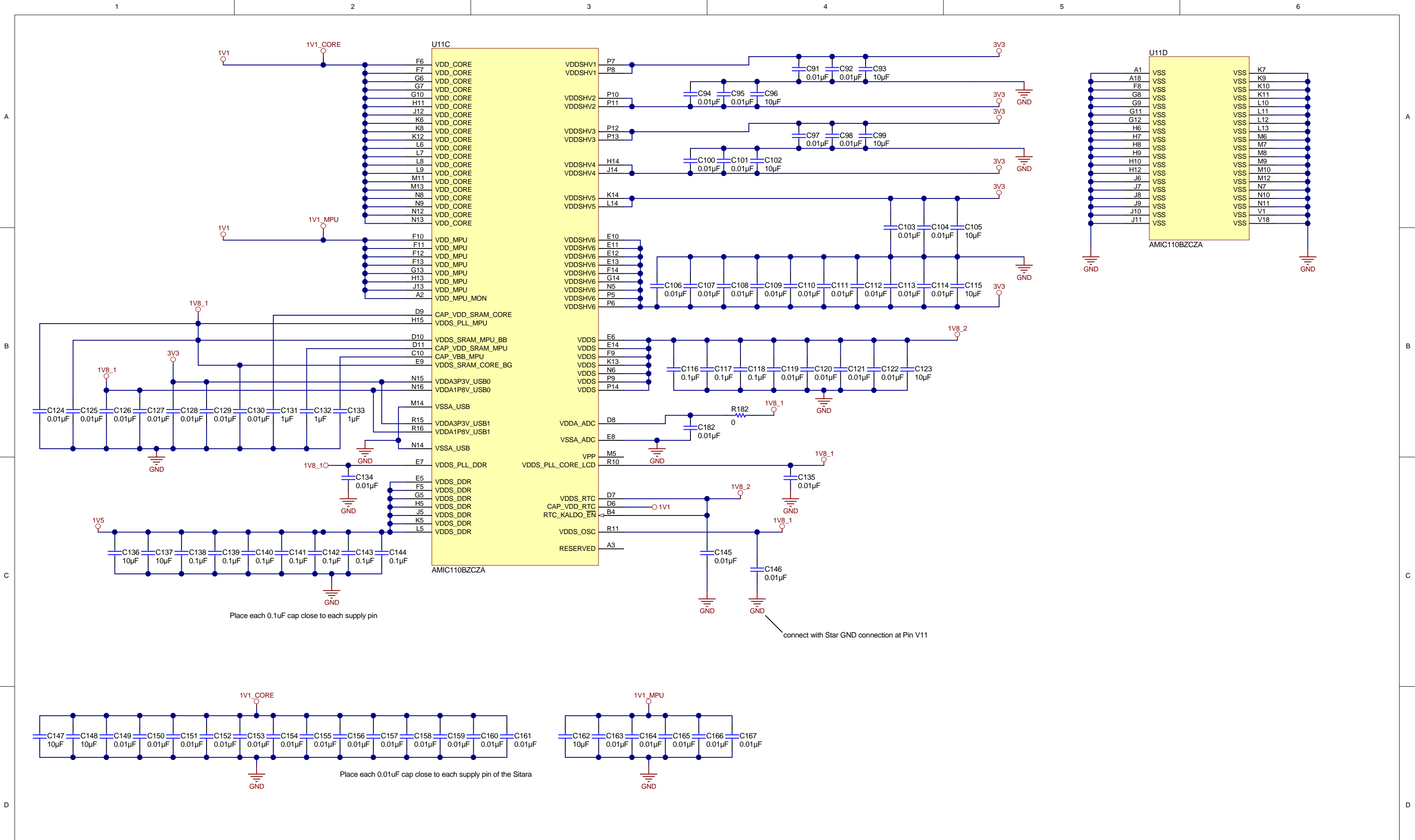
Input EMI filter

5-V Indicator LED



Texas Instruments and/or its licensors do not warrant the accuracy or completeness of this specification or any information contained therein. Texas Instruments and/or its licensors do not warrant that this design will meet the specifications, will be suitable for your application or fit for any particular purpose, or will operate in an implementation. Texas Instruments and/or its licensors do not warrant that the design is production worthy. You should completely validate and test your design implementation to confirm the system functionality for your application.

Orderable: N/A	Designed for: Public Release	Mod. Date: 6/28/2017
TID #: TIDA-00299	Project Title: Cost Optimized Robust EtherCAT Slave and Multi-Protocol Industrial Ethernet Reference Design	
Number: TIDA-00299	Rev: E.2.1	
SVN Rev: Not in version control	Assembly Variant: 001	Sheet: 4 of 1
Drawn By:	File: AMIC110 ICE EVM_Power_SchDoc	Size: B
Engineer: Mogensen/Staebler	Contact: http://www.ti.com/support	



Place each 0.1uF cap close to each supply pin

connect with Star GND connection at Pin V11

Place each 0.01uF cap close to each supply pin of the Sitara

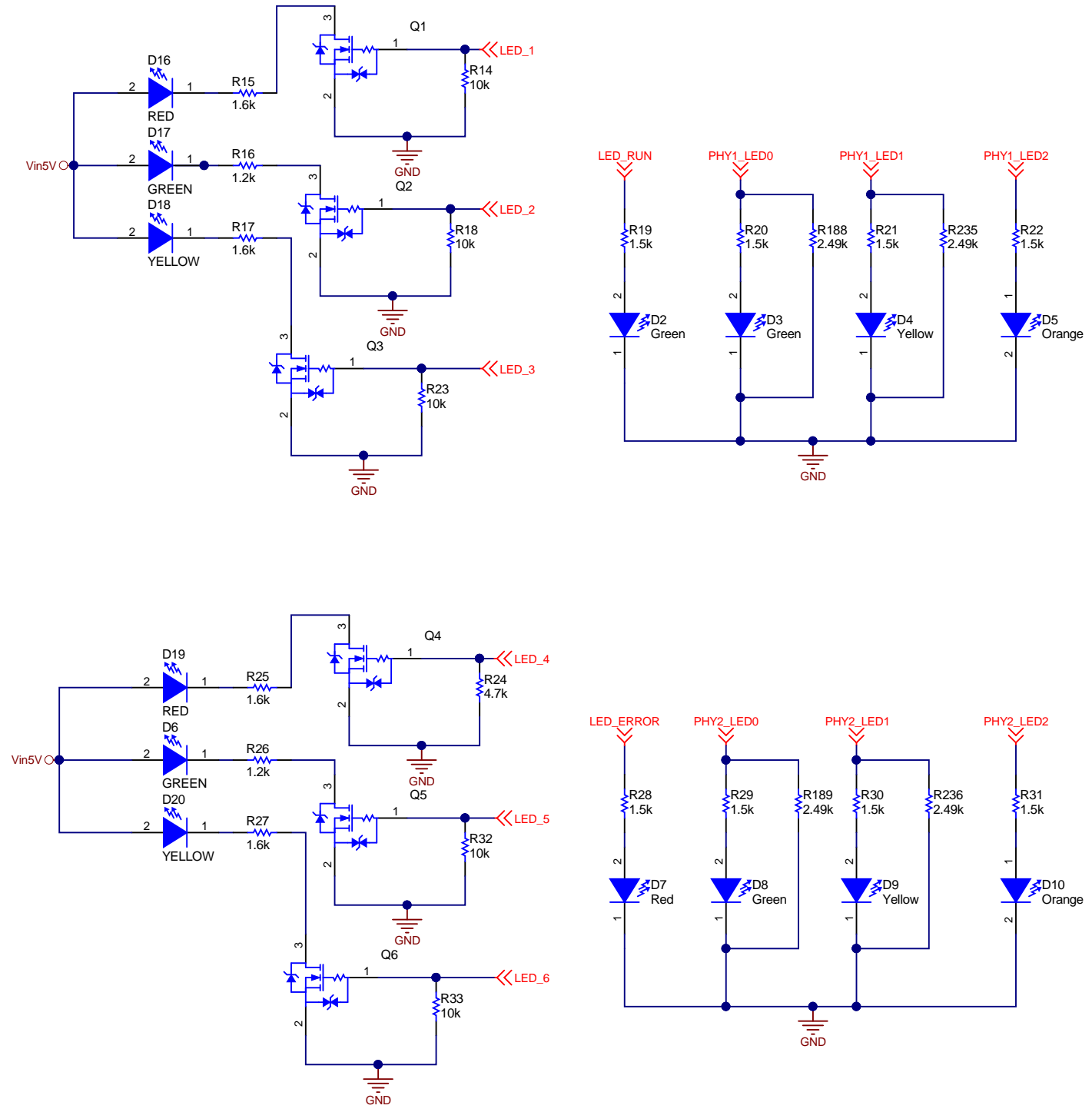
Texas Instruments and/or its licensors do not warrant the accuracy or completeness of this specification or any information contained therein. Texas Instruments and/or its licensors do not warrant that this design will meet the specifications, will be suitable for your application or fit for any particular purpose, or will operate in an implementation. Texas Instruments and/or its licensors do not warrant that the design is production worthy. You should completely validate and test your design implementation to confirm the system functionality for your application.

Orderable: N/A	Designed for: Public Release	Mod. Date: 6/28/2017
TID #: TIDA-00299	Project Title: Cost Optimized Robust EtherCAT Slave and Multi-Protocol Industrial Ethernet Reference Design	
Number: TIDA-00299	Rev: E2.1	
SVN Rev: Not in version control	Assembly Variant: 001	Sheet: 6 of 1
Drawn By:	File: AMIC110 ICE EVM_PS.SchDoc	Size: B
Engineer: Mogensen/Staebler	Contact: http://www.ti.com/support	



© Texas Instruments 2017

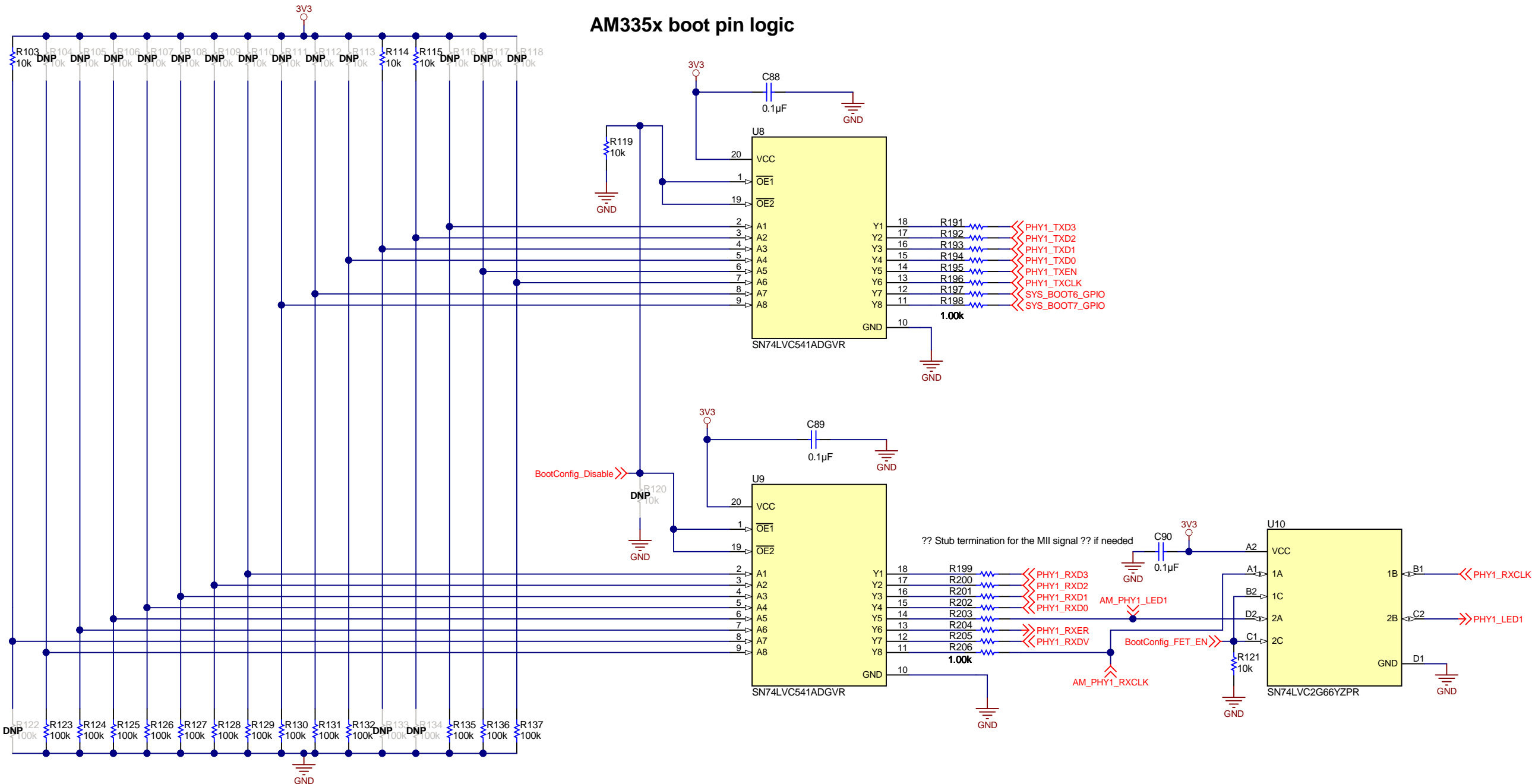
Real Time Ethernet LEDs



Texas Instruments and/or its licensors do not warrant the accuracy or completeness of this specification or any information contained therein. Texas Instruments and/or its licensors do not warrant that this design will meet the specifications, will be suitable for your application or fit for any particular purpose, or will operate in an implementation. Texas Instruments and/or its licensors do not warrant that the design is production worthy. You should completely validate and test your design implementation to confirm the system functionality for your application.

Orderable: N/A	Designed for: Public Release	Mod. Date: 6/28/2017	 TEXAS INSTRUMENTS http://www.ti.com © Texas Instruments 2017	
TID #: TIDA-00299	Project Title: Cost Optimized Robust EtherCAT Slave and Multi-Protocol Industrial Ethernet Reference Design			
Number: TIDA-00299	Rev: E2.1	Assembly Variant: 001		Sheet: 8 of 1
SVN Rev: Not in version control	File: AMIC110 ICE EVM_Led.SchDoc			Size: B
Drawn By: Mogensen/Staebler	Contact: http://www.ti.com/support			

AM335x boot pin logic

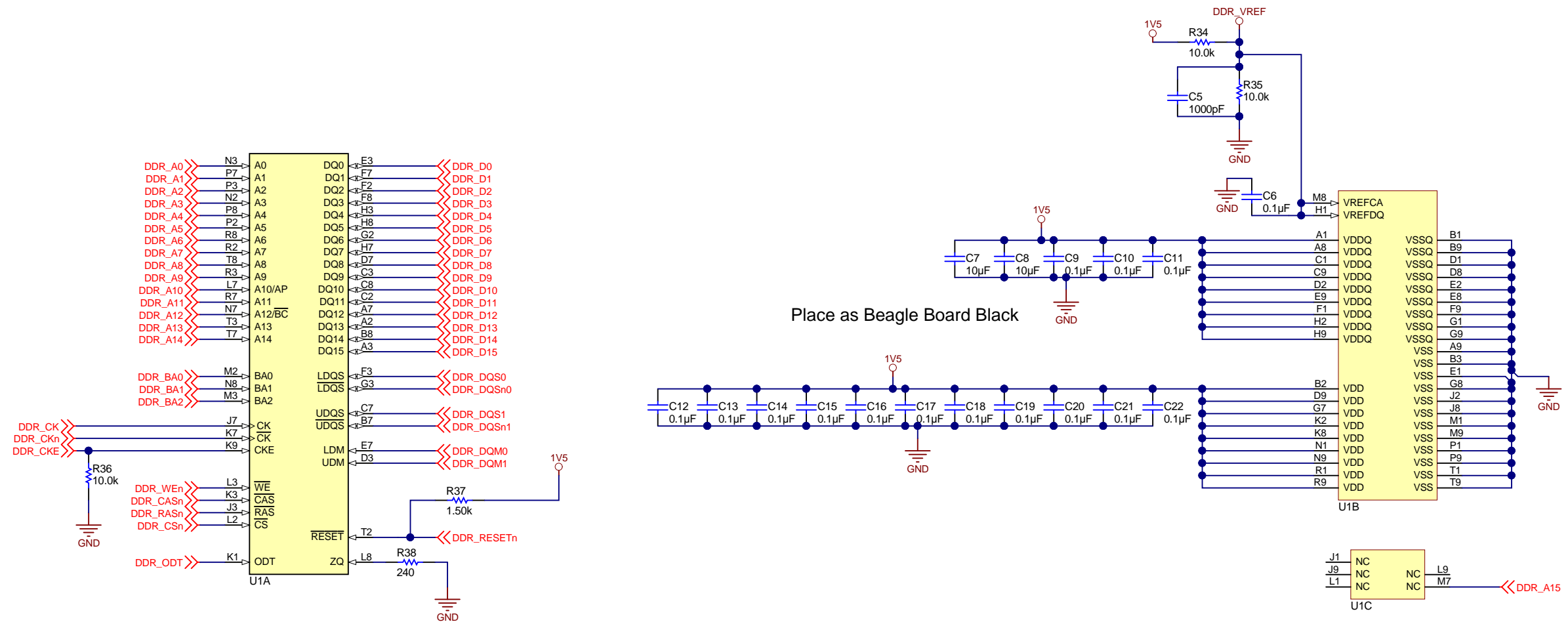


Texas Instruments and/or its licensors do not warrant the accuracy or completeness of this specification or any information contained therein. Texas Instruments and/or its licensors do not warrant that this design will meet the specifications, will be suitable for your application or fit for any particular purpose, or will operate in an implementation. Texas Instruments and/or its licensors do not warrant that the design is production worthy. You should completely validate and test your design implementation to confirm the system functionality for your application.

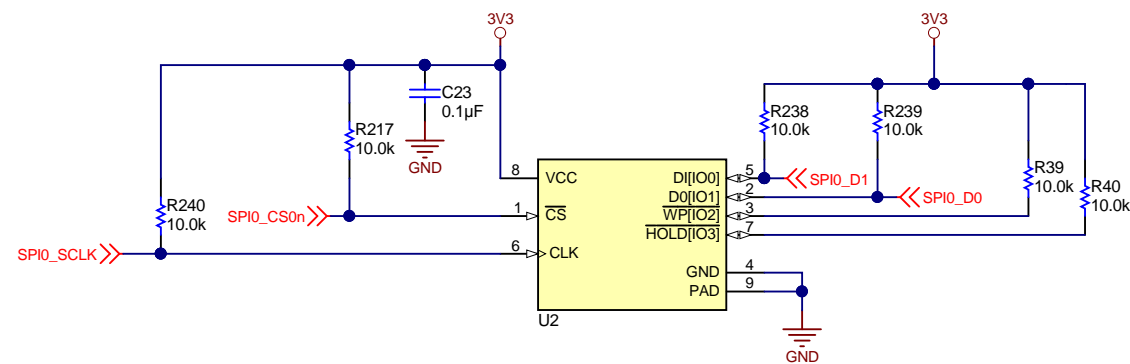
Orderable: N/A	Designed for: Public Release	Mod. Date: 6/28/2017
TID #: TIDA-00299	Project Title: Cost Optimized Robust EtherCAT Slave and Multi-Protocol Industrial Ethernet Reference Design	
Number: TIDA-00299	Rev: E2.1	
SVN Rev: Not in version control	Assembly Variant: 001	Sheet: 9 of 1
Drawn By: Mogensen/Staebler	File: AMIC110 ICE EVM_BootConfig.SchDoc	Size: B
Engineer: Mogensen/Staebler	Contact: http://www.ti.com/support	



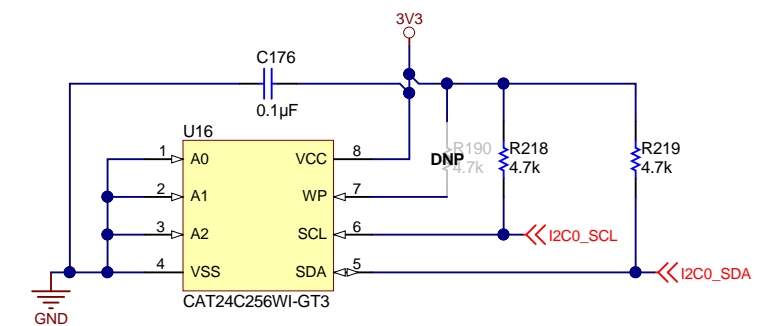
DDR3 Interface



SPI Boot Flash



Board ID EEPROM



Texas Instruments and/or its licensors do not warrant the accuracy or completeness of this specification or any information contained therein. Texas Instruments and/or its licensors do not warrant that this design will meet the specifications, will be suitable for your application or fit for any particular purpose, or will operate in an implementation. Texas Instruments and/or its licensors do not warrant that the design is production worthy. You should completely validate and test your design implementation to confirm the system functionality for your application.

Orderable: N/A	Designed for: Public Release	Mod. Date: 6/28/2017
TID #: TIDA-00299	Project Title: Cost Optimized Robust EtherCAT Slave and Multi-Protocol Industrial Ethernet Reference Design	
Number: TIDA-00299	Rev: E2.1	
SVN Rev: Not in version control	Assembly Variant: 001	Sheet: 10 of 1
Drawn By:	File: AMIC110 ICE EVM_Memory.SchDoc	Size: B
Engineer: Mogensen/Staebler	Contact: http://www.ti.com/support	



IMPORTANT NOTICE AND DISCLAIMER

TI PROVIDES TECHNICAL AND RELIABILITY DATA (INCLUDING DATASHEETS), DESIGN RESOURCES (INCLUDING REFERENCE DESIGNS), APPLICATION OR OTHER DESIGN ADVICE, WEB TOOLS, SAFETY INFORMATION, AND OTHER RESOURCES "AS IS" AND WITH ALL FAULTS, AND DISCLAIMS ALL WARRANTIES, EXPRESS AND IMPLIED, INCLUDING WITHOUT LIMITATION ANY IMPLIED WARRANTIES OF MERCHANTABILITY, FITNESS FOR A PARTICULAR PURPOSE OR NON-INFRINGEMENT OF THIRD PARTY INTELLECTUAL PROPERTY RIGHTS.

These resources are intended for skilled developers designing with TI products. You are solely responsible for (1) selecting the appropriate TI products for your application, (2) designing, validating and testing your application, and (3) ensuring your application meets applicable standards, and any other safety, security, or other requirements. These resources are subject to change without notice. TI grants you permission to use these resources only for development of an application that uses the TI products described in the resource. Other reproduction and display of these resources is prohibited. No license is granted to any other TI intellectual property right or to any third party intellectual property right. TI disclaims responsibility for, and you will fully indemnify TI and its representatives against, any claims, damages, costs, losses, and liabilities arising out of your use of these resources.

TI's products are provided subject to TI's Terms of Sale (www.ti.com/legal/termsofsale.html) or other applicable terms available either on ti.com or provided in conjunction with such TI products. TI's provision of these resources does not expand or otherwise alter TI's applicable warranties or warranty disclaimers for TI products.

Mailing Address: Texas Instruments, Post Office Box 655303, Dallas, Texas 75265
Copyright © 2019, Texas Instruments Incorporated