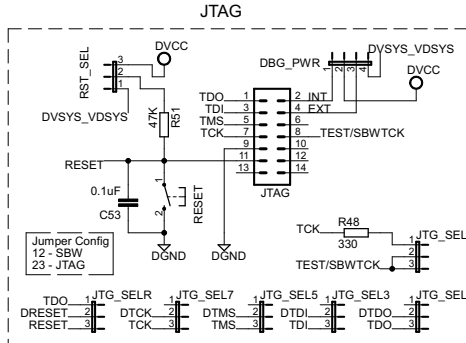
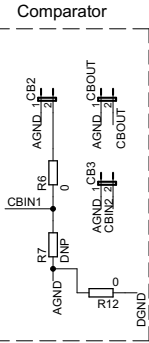


MSP430F6779AIPEU

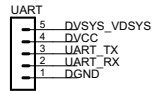
1	XIN	102	DRESET
2	XOUT	101	DTCK
3	AUXVCC3	100	DTMS
4	BTN3	99	DTDI
5	RTCCAP0	98	DTDO
6	SMCLK	97	TEST/SBWTK
7	MCLK	96	TDO/PJ.0
8	ACLK	95	TMS/PJ.2
9	BTN2	94	TCLK/TDI/PJ.1
10	BTN1	93	TCO/PJ.0
11	LED4	92	SBWTK/TEST
12	LED3	91	PM_TA1.0/P2.3
13	LED2	90	PM_TA0.2/P2.2
14	LED1	89	BSL_RX/PM_TA0.1/P2.1
15	UART_RX	88	BSL_TX/PM_TA0.0/P2.0
16	UART_TX	87	TRCLK/TACK/P11.5
17	COM3	86	CBOUT/P11.4
18	COM2	85	TA2_1/P11.3
19	COM1	84	TA1_1/P11.2
20	DVCC_ST	83	CB3/TA3_1/P11.1
21	AUX1_ST	82	S0/P11.0
22	AUX2_ST	81	S1/P10.7
23	AUX3_ST	80	S2/P10.6
24	R33	79	S3/P10.5
25	R23	78	S4/P10.4
26	R13	77	S5/P10.3
27	DGND	76	S6/P10.2
28	CBIN1	75	S7/P10.1
29	LED1	74	S8/P10.0
30	LED2	73	S9/P9.7
31	LED3	72	S10/P9.6
32	LED4	71	S11/P9.5
33	LED5	70	S12/P9.4
34	LED6	69	S13/P9.3
35	LED7	68	S14/P9.2
36	LED8	67	S15/P9.1
37	LED9	66	S16/P9.0
38	LED10	65	DVSYS2
39	LED11	64	DVSYS1
40	LED12	63	S17/P8.7
41	LED13	62	S18/P8.6
42	LED14	61	S19/P8.5
43	LED15	60	S20/P8.4
44	LED16	59	S21/P8.3
45	LED17	58	S22/P8.2
46	LED18	57	S23/P8.1
47	LED19	56	S24/P8.0
48	LED20	55	S25/P7.9
49	LED21	54	S26/P7.8
50	LED22	53	S27/P7.7
51	LED23	52	S28/P7.6
52	LED24	51	S29/P7.5
53	LED25	50	S30/P7.4
54	LED26	49	S31/P7.3
55	LED27	48	S32/P7.2
56	LED28	47	S33/P7.1
57	LED29	46	S34/P7.0
58	LED30	45	S35/P6.9
59	LED31	44	S36/P6.8
60	LED32	43	S37/P6.7
61	LED33	42	S38/P6.6
62	LED34	41	S39/P6.5
63	LED35	40	S40/P6.4
64	LED36	39	S41/P6.3
65	LED37	38	S42/P6.2
66	LED38	37	S43/P6.1
67	LED39	36	S44/P6.0
68	LED40	35	S45/P5.9
69	LED41	34	S46/P5.8
70	LED42	33	S47/P5.7
71	LED43	32	S48/P5.6
72	LED44	31	S49/P5.5
73	LED45	30	S50/P5.4
74	LED46	29	S51/P5.3
75	LED47	28	S52/P5.2
76	LED48	27	S53/P5.1
77	LED49	26	S54/P5.0
78	LED50	25	S55/P4.9
79	LED51	24	S56/P4.8
80	LED52	23	S57/P4.7
81	LED53	22	S58/P4.6
82	LED54	21	S59/P4.5
83	LED55	20	S60/P4.4
84	LED56	19	S61/P4.3
85	LED57	18	S62/P4.2
86	LED58	17	S63/P4.1
87	LED59	16	S64/P4.0
88	LED60	15	S65/P3.9
89	LED61	14	S66/P3.8
90	LED62	13	S67/P3.7
91	LED63	12	S68/P3.6
92	LED64	11	S69/P3.5
93	LED65	10	S70/P3.4
94	LED66	9	S71/P3.3
95	LED67	8	S72/P3.2
96	LED68	7	S73/P3.1
97	LED69	6	S74/P3.0
98	LED70	5	S75/P2.9
99	LED71	4	S76/P2.8
100	LED72	3	S77/P2.7
101	LED73	2	S78/P2.6
102	LED74	1	S79/P2.5

103	SBWTDI0N/M/RST	102	DRESET
104	DVSYS1	101	DTCK
105	DVCC	100	DTMS
106	DVSYS2	99	DTDI
107	AUXVCC1	98	DTDO
108	AUXVCC2	97	TEST/SBWTK
109	VASYS1	96	TDO/PJ.0
110	VASYS2	95	TMS/PJ.2
111	VREF	94	TCLK/TDI/PJ.1
112	AVCC	93	TCO/PJ.0
113	SDA0	92	SBWTK/TEST
114	SDA1	91	PM_TA1.0/P2.3
115	SDA2	90	PM_TA0.2/P2.2
116	SDA3	89	BSL_RX/PM_TA0.1/P2.1
117	SDA4	88	BSL_TX/PM_TA0.0/P2.0
118	SDA5	87	TRCLK/TACK/P11.5
119	SDA6	86	CBOUT/P11.4
120	SDA7	85	TA2_1/P11.3
121	SDA8	84	TA1_1/P11.2
122	SDA9	83	CB3/TA3_1/P11.1
123	SDA10	82	S0/P11.0
124	SDA11	81	S1/P10.7
125	SDA12	80	S2/P10.6
126	SDA13	79	S3/P10.5
127	SDA14	78	S4/P10.4
128	SDA15	77	S5/P10.3
129	SDA16	76	S6/P10.2
130	SDA17	75	S7/P10.1
131	SDA18	74	S8/P10.0
132	SDA19	73	S9/P9.7
133	SDA20	72	S10/P9.6
134	SDA21	71	S11/P9.5
135	SDA22	70	S12/P9.4
136	SDA23	69	S13/P9.3
137	SDA24	68	S14/P9.2
138	SDA25	67	S15/P9.1
139	SDA26	66	S16/P9.0
140	SDA27	65	DVSYS2
141	SDA28	64	DVSYS1
142	SDA29	63	S17/P8.7
143	SDA30	62	S18/P8.6
144	SDA31	61	S19/P8.5
145	SDA32	60	S20/P8.4
146	SDA33	59	S21/P8.3
147	SDA34	58	S22/P8.2
148	SDA35	57	S23/P8.1
149	SDA36	56	S24/P8.0
150	SDA37	55	S25/P7.9
151	SDA38	54	S26/P7.8
152	SDA39	53	S27/P7.7
153	SDA40	52	S28/P7.6
154	SDA41	51	S29/P7.5
155	SDA42	50	S30/P7.4
156	SDA43	49	S31/P7.3
157	SDA44	48	S32/P7.2
158	SDA45	47	S33/P7.1
159	SDA46	46	S34/P7.0
160	SDA47	45	S35/P6.9
161	SDA48	44	S36/P6.8
162	SDA49	43	S37/P6.7
163	SDA50	42	S38/P6.6
164	SDA51	41	S39/P6.5
165	SDA52	40	S40/P6.4
166	SDA53	39	S41/P6.3
167	SDA54	38	S42/P6.2
168	SDA55	37	S43/P6.1
169	SDA56	36	S44/P6.0
170	SDA57	35	S45/P5.9
171	SDA58	34	S46/P5.8
172	SDA59	33	S47/P5.7
173	SDA60	32	S48/P5.6
174	SDA61	31	S49/P5.5
175	SDA62	30	S50/P5.4
176	SDA63	29	S51/P5.3
177	SDA64	28	S52/P5.2
178	SDA65	27	S53/P5.1
179	SDA66	26	S54/P5.0
180	SDA67	25	S55/P4.9
181	SDA68	24	S56/P4.8
182	SDA69	23	S57/P4.7
183	SDA70	22	S58/P4.6
184	SDA71	21	S59/P4.5
185	SDA72	20	S60/P4.4
186	SDA73	19	S61/P4.3
187	SDA74	18	S62/P4.2
188	SDA75	17	S63/P4.1
189	SDA76	16	S64/P4.0
190	SDA77	15	S65/P3.9
191	SDA78	14	S66/P3.8
192	SDA79	13	S67/P3.7
193	SDA80	12	S68/P3.6
194	SDA81	11	S69/P3.5
195	SDA82	10	S70/P3.4
196	SDA83	9	S71/P3.3
197	SDA84	8	S72/P3.2
198	SDA85	7	S73/P3.1
199	SDA86	6	S74/P3.0
200	SDA87	5	S75/P2.9
201	SDA88	4	S76/P2.8
202	SDA89	3	S77/P2.7
203	SDA90	2	S78/P2.6
204	SDA91	1	S79/P2.5

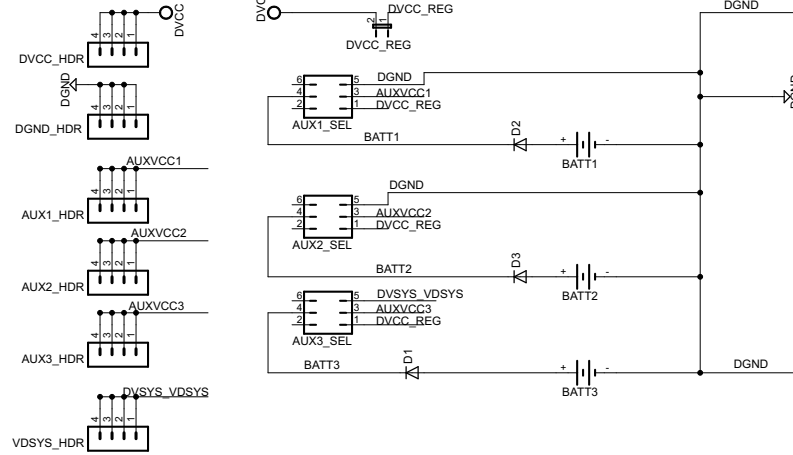


TIDM-AUX-MODULE

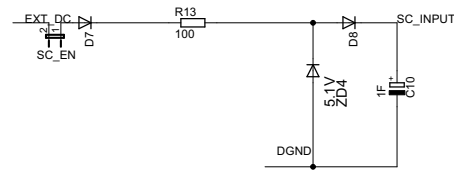
UART



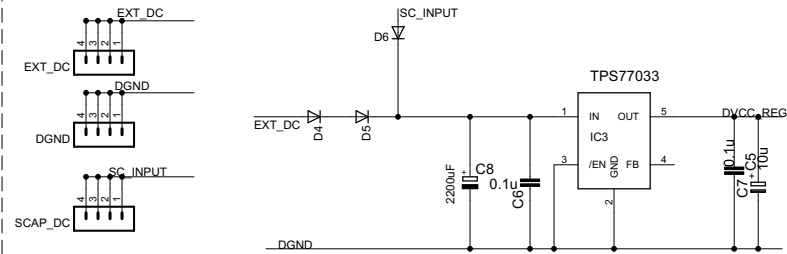
AuxVcc Headers



Super Capacitor Charging



Regulator



IMPORTANT NOTICE FOR TI REFERENCE DESIGNS

Texas Instruments Incorporated ("TI") reference designs are solely intended to assist designers ("Buyers") who are developing systems that incorporate TI semiconductor products (also referred to herein as "components"). Buyer understands and agrees that Buyer remains responsible for using its independent analysis, evaluation and judgment in designing Buyer's systems and products.

TI reference designs have been created using standard laboratory conditions and engineering practices. **TI has not conducted any testing other than that specifically described in the published documentation for a particular reference design.** TI may make corrections, enhancements, improvements and other changes to its reference designs.

Buyers are authorized to use TI reference designs with the TI component(s) identified in each particular reference design and to modify the reference design in the development of their end products. HOWEVER, NO OTHER LICENSE, EXPRESS OR IMPLIED, BY ESTOPPEL OR OTHERWISE TO ANY OTHER TI INTELLECTUAL PROPERTY RIGHT, AND NO LICENSE TO ANY THIRD PARTY TECHNOLOGY OR INTELLECTUAL PROPERTY RIGHT, IS GRANTED HEREIN, including but not limited to any patent right, copyright, mask work right, or other intellectual property right relating to any combination, machine, or process in which TI components or services are used. Information published by TI regarding third-party products or services does not constitute a license to use such products or services, or a warranty or endorsement thereof. Use of such information may require a license from a third party under the patents or other intellectual property of the third party, or a license from TI under the patents or other intellectual property of TI.

TI REFERENCE DESIGNS ARE PROVIDED "AS IS". TI MAKES NO WARRANTIES OR REPRESENTATIONS WITH REGARD TO THE REFERENCE DESIGNS OR USE OF THE REFERENCE DESIGNS, EXPRESS, IMPLIED OR STATUTORY, INCLUDING ACCURACY OR COMPLETENESS. TI DISCLAIMS ANY WARRANTY OF TITLE AND ANY IMPLIED WARRANTIES OF MERCHANTABILITY, FITNESS FOR A PARTICULAR PURPOSE, QUIET ENJOYMENT, QUIET POSSESSION, AND NON-INFRINGEMENT OF ANY THIRD PARTY INTELLECTUAL PROPERTY RIGHTS WITH REGARD TO TI REFERENCE DESIGNS OR USE THEREOF. TI SHALL NOT BE LIABLE FOR AND SHALL NOT DEFEND OR INDEMNIFY BUYERS AGAINST ANY THIRD PARTY INFRINGEMENT CLAIM THAT RELATES TO OR IS BASED ON A COMBINATION OF COMPONENTS PROVIDED IN A TI REFERENCE DESIGN. IN NO EVENT SHALL TI BE LIABLE FOR ANY ACTUAL, SPECIAL, INCIDENTAL, CONSEQUENTIAL OR INDIRECT DAMAGES, HOWEVER CAUSED, ON ANY THEORY OF LIABILITY AND WHETHER OR NOT TI HAS BEEN ADVISED OF THE POSSIBILITY OF SUCH DAMAGES, ARISING IN ANY WAY OUT OF TI REFERENCE DESIGNS OR BUYER'S USE OF TI REFERENCE DESIGNS.

TI reserves the right to make corrections, enhancements, improvements and other changes to its semiconductor products and services per JESD46, latest issue, and to discontinue any product or service per JESD48, latest issue. Buyers should obtain the latest relevant information before placing orders and should verify that such information is current and complete. All semiconductor products are sold subject to TI's terms and conditions of sale supplied at the time of order acknowledgment.

TI warrants performance of its components to the specifications applicable at the time of sale, in accordance with the warranty in TI's terms and conditions of sale of semiconductor products. Testing and other quality control techniques for TI components are used to the extent TI deems necessary to support this warranty. Except where mandated by applicable law, testing of all parameters of each component is not necessarily performed.

TI assumes no liability for applications assistance or the design of Buyers' products. Buyers are responsible for their products and applications using TI components. To minimize the risks associated with Buyers' products and applications, Buyers should provide adequate design and operating safeguards.

Reproduction of significant portions of TI information in TI data books, data sheets or reference designs is permissible only if reproduction is without alteration and is accompanied by all associated warranties, conditions, limitations, and notices. TI is not responsible or liable for such altered documentation. Information of third parties may be subject to additional restrictions.

Buyer acknowledges and agrees that it is solely responsible for compliance with all legal, regulatory and safety-related requirements concerning its products, and any use of TI components in its applications, notwithstanding any applications-related information or support that may be provided by TI. Buyer represents and agrees that it has all the necessary expertise to create and implement safeguards that anticipate dangerous failures, monitor failures and their consequences, lessen the likelihood of dangerous failures and take appropriate remedial actions. Buyer will fully indemnify TI and its representatives against any damages arising out of the use of any TI components in Buyer's safety-critical applications.

In some cases, TI components may be promoted specifically to facilitate safety-related applications. With such components, TI's goal is to help enable customers to design and create their own end-product solutions that meet applicable functional safety standards and requirements. Nonetheless, such components are subject to these terms.

No TI components are authorized for use in FDA Class III (or similar life-critical medical equipment) unless authorized officers of the parties have executed an agreement specifically governing such use.

Only those TI components that TI has specifically designated as military grade or "enhanced plastic" are designed and intended for use in military/aerospace applications or environments. Buyer acknowledges and agrees that any military or aerospace use of TI components that have **not** been so designated is solely at Buyer's risk, and Buyer is solely responsible for compliance with all legal and regulatory requirements in connection with such use.

TI has specifically designated certain components as meeting ISO/TS16949 requirements, mainly for automotive use. In any case of use of non-designated products, TI will not be responsible for any failure to meet ISO/TS16949.