

**ADC101S021,ADC121S021,LM94022,LMP8270,
LMV951,LP2951**

Low-Voltage Current Loop Transmitter



Literature Number: SNOA865

SIGNAL PATH | *designer*[®]

Tips, tricks, and techniques from the analog signal-path experts

No. 108

Feature Article....1-7

Pressure Force
Load Testing.....2

Factory
Automation
Solutions.....4-5

Design Tools.....8



Low-Voltage Current Loop Transmitter

— By Walt Bacharowski, Applications Manager

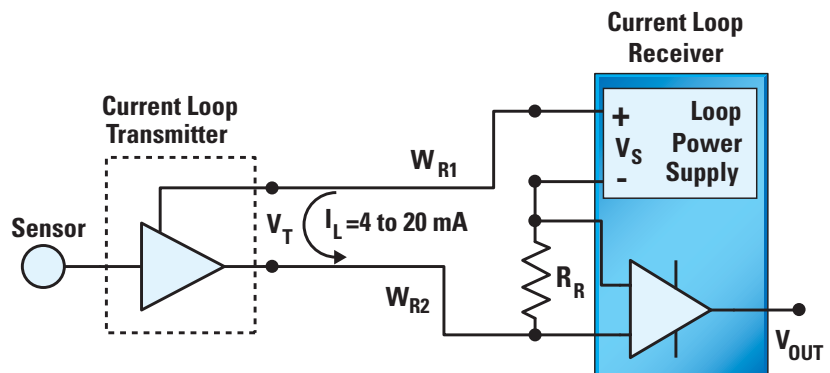


Figure 1. Current Loop Components and Connection

The 4 to 20 mA current loop, which is used extensively in industrial and process control systems, creates challenges for maximizing the operating loop length. In some cases, a very long loop is required and the combination of limited loop-power supply voltage and excessive loop wire resistance prevents its use. This article discusses the use of low-voltage amplifiers to minimize the transmitter's operating voltage requirements, which will maximize the operating loop length.

Typically, the current loop is powered from the receiver side while the transmitter controls the current flowing in the loop to indicate the value of the physical parameter being measured by the sensor. *Figure 1* shows the basic components and connection of a current loop.

The maximum distance between the transmitter and receiver is dependent on the power supply voltage (V_S), and the sum of the loop drops, which are the minimum transmitter voltage (V_T), the voltage drops across the wire resistance (W_{R1} and W_{R2}), and receiver resistor (R_R). In equation form:

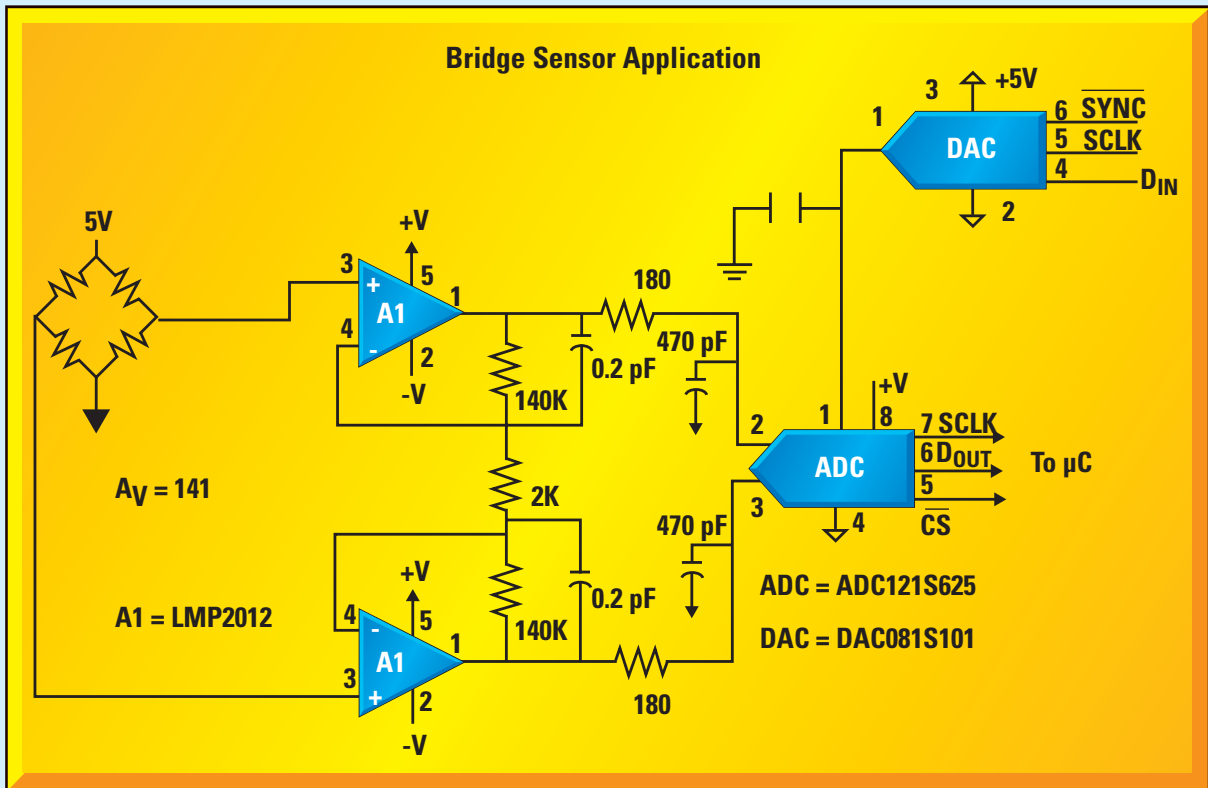
$$\text{EQ1} \quad V_S = V_{WR1} + V_T + V_{WR2} + V_{RR}$$

NEXT ISSUE:

**Generating Precision Clocks
for >1 GSPS Interleaved ADCs**

 **National
Semiconductor**
The Sight & Sound of Information

Solutions for Pressure Force Load Testing



LMP2012 Precision Op Amp

- Auto zero dual op amp
- Input offset voltage, V_{OS} , (36 μV MAX) minimizes signal amplification errors of original input
- TCVOs of 15 nV/ $^{\circ}\text{C}$ maintains a stable V_{OS} over time and temperature
- CMRR and PSRR greater than 120 dB ensures accuracy over various common mode voltages and across its entire operating voltage range
- Gain bandwidth product and slew rate are best in class at 3 MHz and 4 V/ μs
- Also available:
 - LMP2011 (single) in SOIC-8 and SOT23-5 packaging
 - LMP2014 (quad) in TSSOP-14 packaging

ADC121S625 12-Bit A/D Converter

- 12-bit analog-to-digital converter
- True differential inputs
- Guaranteed performance from 50 kSPS to 200 kSPS
- Reference voltage between 500 mV and 2.5V
- Binary 2's compliant
- SPI[™]/QSPI[™]/MICROWIRE[™]/DSP compatible

DAC081S101 8-Bit D/A Converter

- Low power, 8-bit digital-to-analog converter
- ± 0.75 LSB INL
- 3 μsec settling time
- Rail-to-rail voltage output
- SPI[™]/QSPI[™]/MICROWIRE[™]/DSP compatible

For FREE samples, datasheets, and more information, visit

www.national.com/adc

amplifiers.national.com

Low-Voltage Current Loop Transmitter

Substituting the loop current and loop resistances into EQ1:

$$\text{EQ2} \quad V_S = I_L W R_1 + V_T + I_L W R_2 + I_L R_R$$

Given the wire's resistance in X Ohms per foot, the maximum loop current of 20 mA, the value of R_R equal to 10Ω, and the equal lengths of wire, EQ2 can be rearranged to calculate the maximum loop distance in terms the loop parameters:

$$\text{EQ3} \quad ft = \frac{V_S - V_T - 0.2}{0.04 (X \Omega/ft)}$$

EQ3 illustrates three ways to increase the maximum loop length: (1) increase the loop power supply voltage, (2) increase the wire gage, which will reduce the wire's ohms per foot, or (3) reduce the minimum voltage required for the current loop transmitter operation, which is the focus of the following section.

The use of low voltage amplifiers, such as the LMV951, and low drop out voltage regulators, such as the LP2951, can reduce the minimum voltage required for the current loop transmitter. *Figure 2* shows the schematic of a loop-powered 4 to 20 mA transmitter, which will function with a minimum of 1.9V, and a 4 to 20 mA receiver.

In this example, a temperature sensor, such as the LM94022, provides a signal for the transmitter.

The components A1, Q1, and R1 through R5 form a voltage-to-current converter. The non-inverting input of A1, pin 3, is the summing node for three signals, the loop current, offset current, and sensor signal voltage. The resistor R2 is the current shunt that measures the current flowing in the loop and is fed back through R3. The total loop current is the sum of the currents flowing in resistor R2 and R3, I_L=I_{R2}+I_{R3}. The amplifier, A1, forces the voltages at its inputs, pins 3 and 4, to be equal by forcing more or less current through R2. The result is that R2 and R3 have the same voltage across them. The ratio of the currents in R2 and R3 is the inverse of the resistor ratio:

$$\text{EQ4} \quad \left(\frac{I_{R2}}{I_{R3}} = \frac{R_3}{R_2} \right)$$

This highlights that the current in R3 is also part of the voltage-to-current conversion and is not an error current. An error source that will affect the loop current is the offset voltage of amplifier A1, which will add an error current to the loop current. At the minimum loop current of 4 mA, the voltage V₂ is very close to 0.040V.

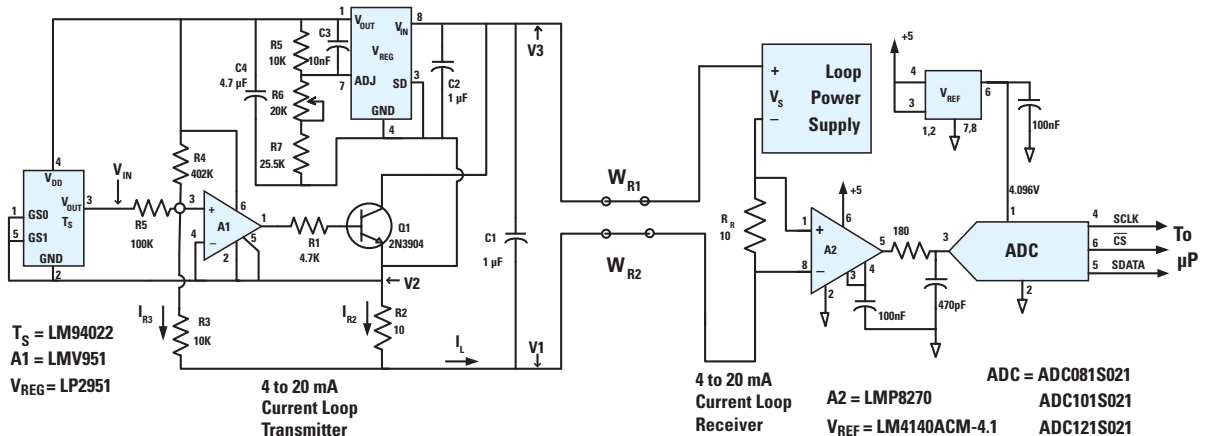
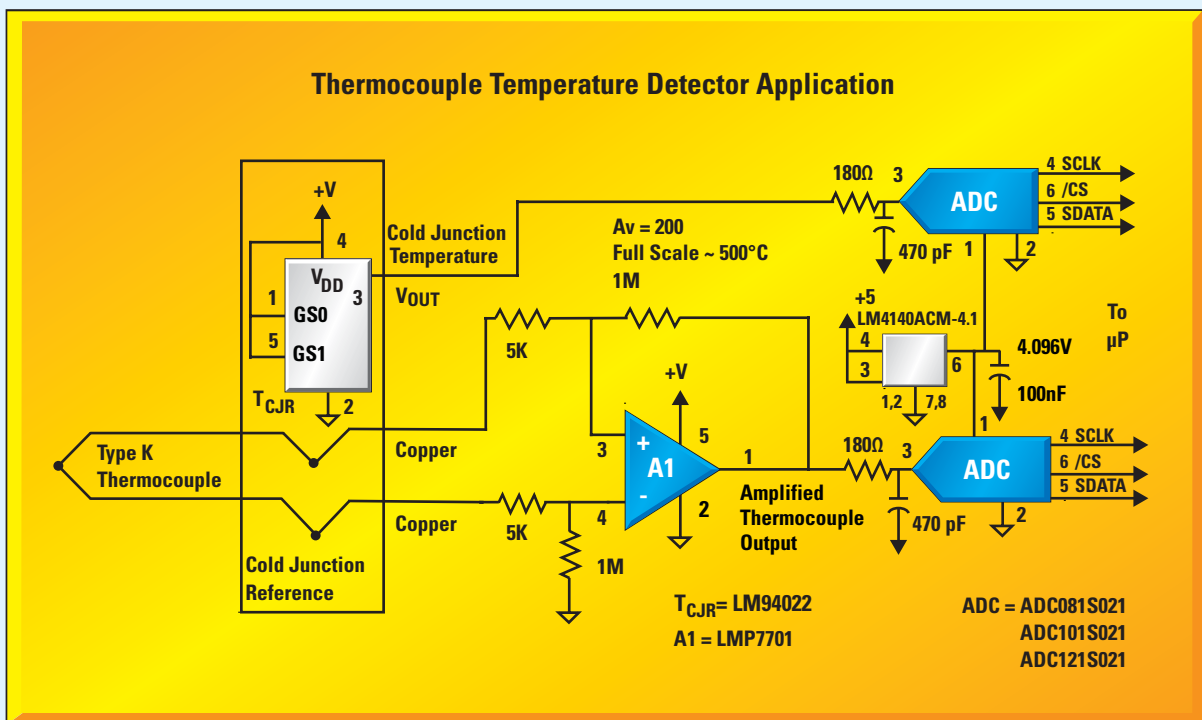
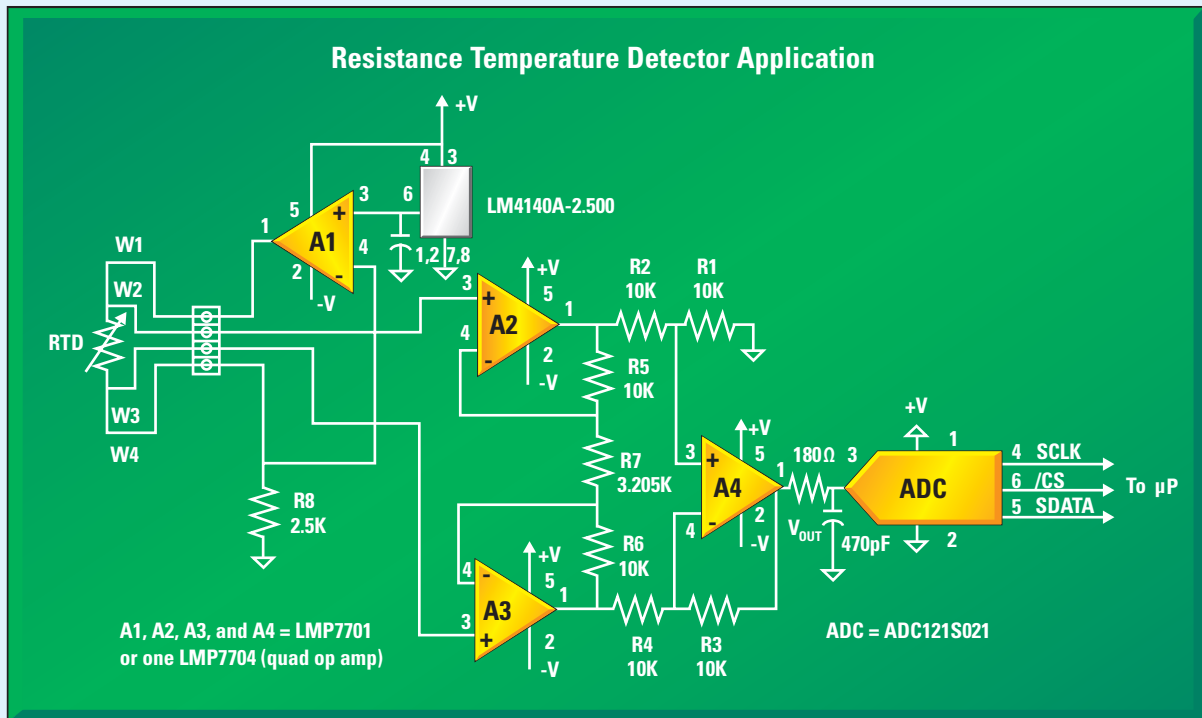


Figure 2. Loop-Powered Transmitter Schematic

Solutions for Factory Automation



For FREE samples, datasheets, and more information, visit

www.national.com/adc

www.amplifiers.national.com

Precision Op Amps

Product ID	Max VOS Room Temp (μV)	TCV_{OS} ($\mu\text{V}/^{\circ}\text{C}$)	Specified Supply Voltage Range (V)	PSRR (dB)	CMRR (dB)	Gain (dB)	GBWP (MHz)	Voltage Noise ($\text{nV}/\sqrt{\text{Hz}}$)	I_{BIAS} Room Temp (pA)
LMP2011/12/14	25	0.015	2.7 to 5.25	120	130	130	3	35	-3
LMP7701/02/04	200	1	2.7 to 12	100	130	130	2.5	9	0.2
LMP7711/12	150	-1	1.8 to 5.5	100	100	110	17	5.8	0.1
LMP7715/16	150	-1	1.8 to 5.5	100	100	110	17	5.8	0.1

Precision Current Sense Amps

Product ID	Input Voltage Range	TCV_{OS} ($\mu\text{V}/^{\circ}\text{C}$)	Fixed Gain (V/V)	Supply Voltage (V)	CMRR (dB)	Packaging
LMP8275	-2 to 16	30	20	4.75 to 5.5	80	SOIC-8
LMP8276	-2 to 16	30	20	4.75 to 5.5	80	SOIC-8
LMP8277	-2 to 16	30	14	4.75 to 5.5	80	SOIC-8

Low-Voltage Op Amps

Product ID	Typ Is/ Channel (μA)	Total Specified Supply Range (V)	Max V_{OS} (mV)	Max I_{BIAS} Over Temperature	Typ CMVR (V)	GBW (MHz)	Packaging
LMV651	110	2.7 to 5.5	1	80 nA (typ)	0 to 4.0	12	SC70-5, TSSOP-14
LMV791	1150/0.14	1.8 to 5.5	1.35	100 pA	-0.3 to 4.0	17	TSOT23-6, MSOP-10
LMV796	1150	1.8 to 5.5	1.35	100 pA	-0.3 to 4.0	17	SOT23-5, MSOP-8
LMV716	1600	2.7 to 5.0	5	130 pA	-0.3 to 2.2	5	MSOP-8
LPV531	425	2.7 to 5.5	4.5	10 pA	-0.3 to 3.8	4.6	TSOT23-6

ADCs for Single-Channel Applications

Product ID	Res	# of Inputs	Pin/Function Compatible	Throughput Rate (kSPS)	Input Type	Max Power 5V/3V (mW)	Supply (V)	Max INL (LBS)	Min SINAD (dB)	Packaging
ADC121S101	12	1	↑ ↓	500 to 1000	Single ended	16/4.5	2.7 to 5.25	± 1.1	70	SOT23-6, LLP-6
ADC121S051	12	1		200 to 500	Single ended	15.8/4.7	2.7 to 5.25	± 1.0	70.3	SOT23-6, LLP-6
ADC121S021	12	1		50 to 200	Single ended	14.7/4.3	2.7 to 5.25	± 1.0	70	SOT23-6, LLP-6
ADC101S101	10	1		500 to 1000	Single ended	16/4.5	2.7 to 5.25	± 0.7	61	SOT23-6
ADC101S051	10	1		200 to 500	Single ended	13.7/4.3	2.7 to 5.25	± 0.7	60.8	SOT23-6
ADC101S021	10	1		50 to 200	Single ended	12.6/4	2.7 to 5.25	± 0.6	60.7	SOT23-6
ADC081S101	8	1		500 to 1000	Single ended	16/4.5	2.7 to 5.25	± 0.3	49	SOT23-6
ADC081S051	8	1		200 to 500	Single ended	12.6/3.6	2.7 to 5.25	± 0.3	49	SOT23-6
ADC081S021	8	1		50 to 200	Single ended	11.6/3.24	2.7 to 5.25	± 0.3	49	SOT23-6
ADC121S625*	12	1		↑	50 to 200	Differential	2.8	4.5 to 5.5	± 1.0	68.5
ADC121S705*	12	1	↓	500 to 1000	Differential	16.5	4.5 to 5.5	$\pm .95$	69.5	MSOP-8

*Differential input, 200 to 500 kSPS thrupt rate forthcoming

Low-Voltage Current Loop Transmitter

An offset voltage of 1 mV in A1 will cause an error of about 2.5% in I_{R3} :

$$\text{EQ5} \quad \frac{0.001V}{0.040V} \times 100 = 2.5\%$$

Because the ratio of I_{R2} to I_{R3} is 1000 to 1, an error of 2.5% in I_{R3} results in a 0.0025% error in the loop current.

The voltage supply requirements for the components in transmitter must be evaluated in order to determine the minimum operating voltage required by the transmitter. For this example, a full-scale sensor input signal of 1.6V is used and results in a 10 mA per volt scale factor:

EQ6

$$\frac{I_L \text{MAX} - I_L \text{MIN}}{V_{IN} \text{MAX} - V_{IN} \text{MIN}} = \frac{20 \text{ mA} - 4 \text{ mA}}{1.6V - 0V} = \frac{16 \text{ mA}}{1.6V} = 10 \text{ mA/V}$$

The minimum voltage required for the transmitter ($V3 - V1$) is the highest voltage requirement of the two paths from $V3$ to $V1$. Path one is from $V3$ to $Q1$ and $R2$ to $V1$. At the maximum loop current of 20 mA, the voltage drop across $R2$ is 0.2V ($V2$) and a collector emitter voltage of about 0.5V to stay out of saturation is a total of 0.7V. The second path is $V2$ plus the output voltage of the voltage regulator and its dropout voltage. The full-scale sensor input signal of 1.6V requires about a 1.65V output from the regulator and the dropout voltage of the voltage regulator is less than 50 mV. The path has a minimum voltage requirement of 1.9V (0.2 + 1.65 + 0.05). Note that the minimum operating voltage of the LMV951 is 0.9V so the minimum transmitter voltage could be reduced to about 1.3V by increasing the scale factor to 18 mA per volt. This is supported by the voltage regulator, V_R , which can be adjusted down to 1.25V, and with a dropout voltage of 50 mV, the loop transmitter can work down to 1.3V. The current loop transmitter functions by summing three signals: the loop current ($R3$), the offset current ($R4$), and the sensor ($R5$).

The loop current generates a voltage drop across resistor $R2$ such that $V1$ is negative with respect to $V2$ and then fed back through $R3$.

$$\text{EQ7} \quad V1 = V2 - R2(I_L)$$

The 4 to 20 mA current loop uses the offset current level of 4 mA to represent zero signal input. This is used as an open loop fault condition since zero current is a broken wire, transmitter failure, or another fault. The resistor $R4$ is connected to the output of the adjustable low drop-out voltage regulator to create the 4 mA offset current. Resistor $R4$, at 402 k Ω , sets approximately a 4 mA offset current when the output of the voltage regulator is 1.65V. The variable resistor $R6$ is used to set the loop current to 4 mA when the input signal is at zero volts. This adjustment compensates for error in the voltage regulator's output and resistor tolerance in $R4$, $R5$, and $R7$. The offset can be calibrated to 4 mA by measuring the voltage across R_R and adjusting $R6$ until the voltage across R_R is equal to 0.04V. The value of resistor $R4$ can be calculated for other supply voltages by equating the voltages at the amplifier's input pins and rearranging to solve for $R4$:

$$\text{EQ8} \quad R4 = \frac{R3 \times V_{OUT}}{R2 \times I_{R2}} - R3$$

The resistor $R5$ is used to scale the signal input voltage to the 16 mA span of the loop current, and in this example, it is assumed the input signal span is 1.6V. The equation for calculating $R5$ can be developed by equating the voltages at the amplifier's input pins and rearranging to solve for $R5$. V_{IN} is the maximum signal input, 1.6V for this example, and I_{R2} is the change in output current, 16mA:

$$\text{EQ9} \quad R5 = \frac{R3 \times V_{IN}}{R2 \times I_{R2}}$$

This equation also indicates that changing the value of $R5$ can change the full-scale input voltage. A low resistance variable resistor could be used in

series with R5 to add a full-scale calibration as shown in the following schematic (*Figure 3*).

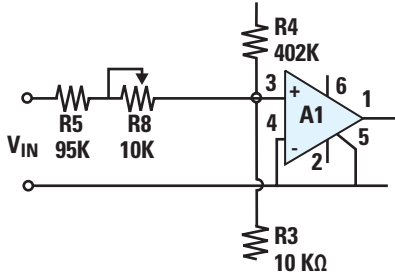


Figure 3. Input Calibration

In this example, a silicon temperature sensor is used as a signal source. The LM94022 is a low voltage, programmable gain temperature sensor that can be used to measure temperature from -50°C to 150°C . The schematic in *Figure 2* shows the LM94022's gain select pins connected to ground, or the lowest gain. With this gain, the sensor's output ranges from 1.299V for a temperature of -50°C to 0.183V for a temperature of 150°C .

As shown in *Figure 1*, the current loop transmitter accounts for only part of the voltage drop in the loop. The current loop receiver frequently uses a resistor, R_R in *Figure 1*, to generate a voltage drop that is used to measure the loop current. The measurement of the voltage across R_R can present some problems such as high common mode voltages, due to the loop power supply, as well as induced voltages from the environment. To overcome these measurement problems a differential amplifier, such as the LMP8270, can be used. The LMP8270 is a high common mode voltage differential amplifier with a fixed gain of 20. The gain of 20 also reduces the resistance of R_R , which reduces the loop voltage drop.

Referring to *Figure 2*, the voltage across resistor R_R is recovered from whatever common mode voltage exists on the current loop, up to 28V, and is amplified and drives the input to an Analog-to-Digital Converter (ADC). Internal to the LMP8270 is a differential amplifier with a gain of 10 followed by an amplifier with a gain of two. The internal connection between the two amplifiers is

brought out to pins 3 and 4. Also internal to the LMP8270 is a $100\text{ k}\Omega$ resistor in series with the output of the first amplifier. A low pass filter is easily implemented by connecting a capacitor from pins 3 and 4 to ground.

Figure 2 shows a 4.096V reference being used by the ADC, representing the full-scale input. The differential input voltage to the LMP8270 for a 4.096V output is $4.096/20 = 0.2048\text{V}$. The value of R_R for a voltage drop of 0.2048V at a current of 20 mA is $0.2048/20 = 10.24\Omega$. A 10Ω resistor is used because it is a standard precision value. The result is an output voltage from A2 of 0.8V to 4.0V for a loop current of 4 mA to 20 mA.

The current loop transmitter was calibrated using the end points, 0V and 1.6V, as the input voltages while measuring the voltage across the R_R resistor. With 0.0V applied to the input the resistor R_6 is adjusted until 40 mV is across R_R . With 1.6V on the input, resistor R_8 , see *Figure 3*, is adjusted until 200 mV is across R_R . *Figure 4* is the measured transfer function using a calibrated voltage source. The worst case deviation from a straight line was $-8\ \mu\text{A}$, which is not observable on the graph in *Figure 4*.

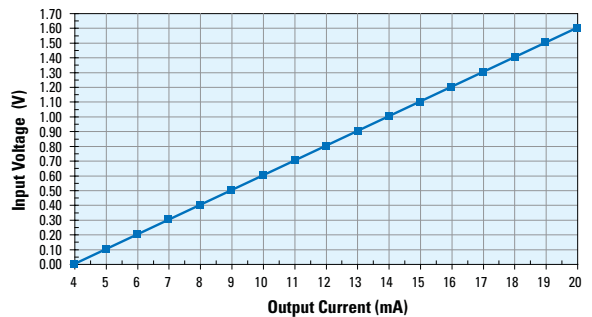


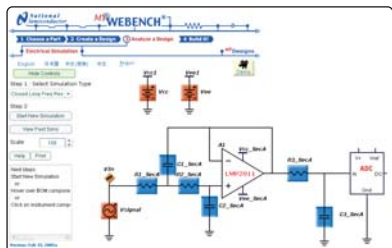
Figure 4. Output Current vs Input Voltage

In summary, by using a selection of components that function with very low supply voltages a current loop transmitter can be designed that operates with as little as 1.3V.

View over 50 design seminars by industry experts. Log onto www.national.com/online_seminars

Design Tools

WEBENCH® Signal Path Designer® Tools



Design, simulate, and optimize amplifier circuits in this FREE online design and prototyping environment allowing you to:

- Synthesize an anti-alias filter
- Select the best amplifier/ADC combo for your system specs
- Make trade-offs based on SNR, SFDR, supply voltage
- Simulate real-world operating conditions using SPICE
- Receive samples in 24 hours

webench.national.com

WaveVision 4.1 Evaluation Board

Test and evaluate A/D converters with National's easy-to-use WaveVision 4.1 evaluation board. Each evaluation board comes complete with USB cable and support software.

Features and benefits:

- Plug-n-play ADC evaluation board
- USB 2.0 interface to PC
- PC-based data capture
- Easy data capture and evaluation
- Highlighted harmonic and SFDR frequencies
- Easy waveform examination
- Produces and displays FFT plots
- Dynamic performance parameter readout with FFT
- Produces and displays histograms



National Semiconductor

2900 Semiconductor Drive
Santa Clara, CA 95051
1 800 272 9959

Mailing address:

PO Box 58090
Santa Clara, CA 95052

Visit our website at:

signalpath.national.com

For more information,
send email to:

new.feedback@nsc.com

Don't miss a single issue!



Subscribe now to receive email alerts when new issues of Signal Path Designer® are available:

signalpath.national.com/designer

Also, be sure to check out our Power Designer! View online today at:

power.national.com/designer



IMPORTANT NOTICE

Texas Instruments Incorporated and its subsidiaries (TI) reserve the right to make corrections, modifications, enhancements, improvements, and other changes to its products and services at any time and to discontinue any product or service without notice. Customers should obtain the latest relevant information before placing orders and should verify that such information is current and complete. All products are sold subject to TI's terms and conditions of sale supplied at the time of order acknowledgment.

TI warrants performance of its hardware products to the specifications applicable at the time of sale in accordance with TI's standard warranty. Testing and other quality control techniques are used to the extent TI deems necessary to support this warranty. Except where mandated by government requirements, testing of all parameters of each product is not necessarily performed.

TI assumes no liability for applications assistance or customer product design. Customers are responsible for their products and applications using TI components. To minimize the risks associated with customer products and applications, customers should provide adequate design and operating safeguards.

TI does not warrant or represent that any license, either express or implied, is granted under any TI patent right, copyright, mask work right, or other TI intellectual property right relating to any combination, machine, or process in which TI products or services are used. Information published by TI regarding third-party products or services does not constitute a license from TI to use such products or services or a warranty or endorsement thereof. Use of such information may require a license from a third party under the patents or other intellectual property of the third party, or a license from TI under the patents or other intellectual property of TI.

Reproduction of TI information in TI data books or data sheets is permissible only if reproduction is without alteration and is accompanied by all associated warranties, conditions, limitations, and notices. Reproduction of this information with alteration is an unfair and deceptive business practice. TI is not responsible or liable for such altered documentation. Information of third parties may be subject to additional restrictions.

Resale of TI products or services with statements different from or beyond the parameters stated by TI for that product or service voids all express and any implied warranties for the associated TI product or service and is an unfair and deceptive business practice. TI is not responsible or liable for any such statements.

TI products are not authorized for use in safety-critical applications (such as life support) where a failure of the TI product would reasonably be expected to cause severe personal injury or death, unless officers of the parties have executed an agreement specifically governing such use. Buyers represent that they have all necessary expertise in the safety and regulatory ramifications of their applications, and acknowledge and agree that they are solely responsible for all legal, regulatory and safety-related requirements concerning their products and any use of TI products in such safety-critical applications, notwithstanding any applications-related information or support that may be provided by TI. Further, Buyers must fully indemnify TI and its representatives against any damages arising out of the use of TI products in such safety-critical applications.

TI products are neither designed nor intended for use in military/aerospace applications or environments unless the TI products are specifically designated by TI as military-grade or "enhanced plastic." Only products designated by TI as military-grade meet military specifications. Buyers acknowledge and agree that any such use of TI products which TI has not designated as military-grade is solely at the Buyer's risk, and that they are solely responsible for compliance with all legal and regulatory requirements in connection with such use.

TI products are neither designed nor intended for use in automotive applications or environments unless the specific TI products are designated by TI as compliant with ISO/TS 16949 requirements. Buyers acknowledge and agree that, if they use any non-designated products in automotive applications, TI will not be responsible for any failure to meet such requirements.

Following are URLs where you can obtain information on other Texas Instruments products and application solutions:

Products

Audio	www.ti.com/audio
Amplifiers	amplifier.ti.com
Data Converters	dataconverter.ti.com
DLP® Products	www.dlp.com
DSP	dsp.ti.com
Clocks and Timers	www.ti.com/clocks
Interface	interface.ti.com
Logic	logic.ti.com
Power Mgmt	power.ti.com
Microcontrollers	microcontroller.ti.com
RFID	www.ti-rfid.com
OMAP Mobile Processors	www.ti.com/omap
Wireless Connectivity	www.ti.com/wirelessconnectivity

Applications

Communications and Telecom	www.ti.com/communications
Computers and Peripherals	www.ti.com/computers
Consumer Electronics	www.ti.com/consumer-apps
Energy and Lighting	www.ti.com/energy
Industrial	www.ti.com/industrial
Medical	www.ti.com/medical
Security	www.ti.com/security
Space, Avionics and Defense	www.ti.com/space-avionics-defense
Transportation and Automotive	www.ti.com/automotive
Video and Imaging	www.ti.com/video

TI E2E Community Home Page

e2e.ti.com

Mailing Address: Texas Instruments, Post Office Box 655303, Dallas, Texas 75265
Copyright © 2011, Texas Instruments Incorporated