

# 具有电池自主平衡功能和休眠模式的 BQ77915 3 节至 5 节串联、可堆叠超低功耗初级保护器

## 1 特性

- 超低静态电流：8  $\mu\text{A}$  典型值（正常模式），2  $\mu\text{A}$ （休眠模式）
- 整套电压、电流和温度保护功能
- 智能电池被动平衡功能可消除电池间的不平衡
- 可将电池节数从 3 节扩展到 20 节或更多
- 电压保护（过压精度为  $\pm 10\text{mV}$ ，欠压精度为  $\pm 18\text{mV}$ ）
  - 过压：3V 至 4.575V
  - 欠压：1.2V 至 3V
- 开路电池和断线检测 (OW)
- 电流保护
  - 过流放电 1：-10mV 至 -85mV
  - 过流放电 2：-20mV 至 -170 mV
  - 短路放电：-40mV 至 -340 mV
- 温度保护
  - 过热充电：45°C 至 50°C
  - 过热放电：65°C 至 70°C
- 其他特性：
  - 独立充电 (CHG) 和放电 (DSG) FET 驱动器
  - 通过集成式 FET（平衡电流高达 50mA）实现了智能电池平衡算法，此外还支持通过外部 FET 实现更高的电池平衡电流
  - 超低功耗休眠模式
  - 每节电池输入的绝对最大额定电压高达 36V
  - 过流 (OCD1/2) 延迟可通过电阻器进行编程
- 关断模式：0.5  $\mu\text{A}$ （最大值）
- 提供功能安全
  - 有助于进行功能安全系统设计的文档

## 2 应用

- 电动工具、园艺工具
- 清洁机器人、真空吸尘器、悬浮滑板
- 电动自行车
- 10.8V 至 72V 电池组

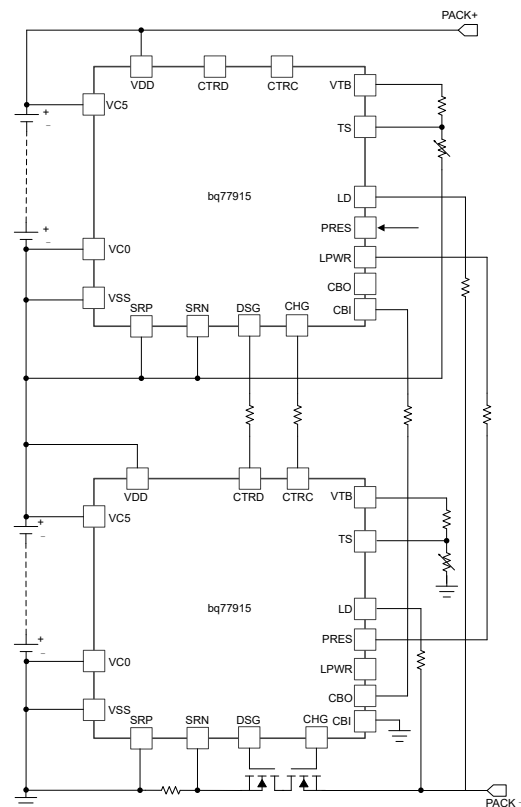
## 3 说明

BQ77915 器件是一款低功耗电池组保护器，它实现了一整套的电压、电流和温度保护功能以及智能电池平衡算法，无需微控制器 (MCU) 控制。该器件的可堆叠接口可进行简单扩展，支持从 3 节串联到 20 节或更多节数串联的电池应用。保护阈值和延迟均为出厂编程设定，有多种配置可供选用。针对放电和充电采用单独的过热阈值和欠温阈值（分别为 OTD、UTD 和 OTC、UTC），从而提高了灵活性。

### 器件信息

器件型号 <sup>(1)</sup>	封装	封装尺寸 (标称值)
BQ77915	TSSOP - 24	7.70mm × 4.40mm

(1) 如需了解所有可用封装，请参阅数据表末尾的可订购产品附录。



简化原理图



## Table of Contents

1 特性.....	1	9.4 Device Functional Modes.....	31
2 应用.....	1	<b>10 Application and Implementation.....</b>	<b>33</b>
3 说明.....	1	10.1 Application Information.....	33
4 Revision History.....	2	10.2 Typical Application.....	39
5 说明 (续).....	3	<b>11 Power Supply Recommendations.....</b>	<b>44</b>
6 Device Comparison Table.....	3	<b>12 Layout.....</b>	<b>45</b>
7 Pin Configuration and Functions.....	4	12.1 Layout Guidelines.....	45
8 Specifications.....	5	12.2 Layout Example.....	46
8.1 Absolute Maximum Ratings.....	5	<b>13 Device and Documentation Support.....</b>	<b>47</b>
8.2 ESD Ratings.....	5	13.1 第三方产品免责声明.....	47
8.3 Recommended Operating Conditions.....	5	13.2 Documentation Support.....	47
8.4 Thermal Information.....	7	13.3 接收文档更新通知.....	47
8.5 Electrical Characteristics.....	7	13.4 支持资源.....	47
8.6 Typical Characteristics.....	12	13.5 Trademarks.....	47
<b>9 Detailed Description.....</b>	<b>12</b>	13.6 静电放电警告.....	47
9.1 Overview.....	12	13.7 术语表.....	47
9.2 Functional Block Diagram.....	14	<b>14 Mechanical, Packaging, and Orderable Information.....</b>	<b>47</b>
9.3 Feature Description.....	14		

## 4 Revision History

注：以前版本的页码可能与当前版本的页码不同

Changes from Revision K (July 2023) to Revision L (August 2023)	Page
• 根据最新的德州仪器 (TI) 标准对该数据表进行了更新.....	1

---

Changes from Revision J (March 2022) to Revision K (July 2023)	Page
• Added the BQ7791514 device to the <a href="#">Device Comparison Table</a> .....	3

---

Changes from Revision I (September 2020) to Revision J (March 2022)	Page
• 根据最新德州仪器 (TI) 和行业数据表标准对本文档进行了更新。 .....	1
• Added the BQ7791513 device to the <a href="#">Device Comparison Table</a> .....	3

## 5 说明 (续)

BQ77915 器件可通过集成式独立 CHG 和 DSG 低侧 NMOS FET 驱动器提供电池包保护，这些驱动器可通过两个控制引脚禁用。这些控制引脚还能够以经济的方式为更多节串联电池（6 节及以上）提供保护。为此，需要将上级器件的 CHG 和 DSG 输出级联到下级器件控制引脚。为了提高灵活性，可通过从 OCDP 引脚连接至 VSS 的电阻器对放电过流保护延迟进行编程。

BQ77915 保护器通过可确保高达 50mA 电芯均衡电流的集成式 FET，实现了智能、被动电芯均衡算法。对于更高的电芯均衡电流要求，可通过连接外部 FET 实现。旨在用于电池包运输和存储的休眠模式可支持超低功耗运行。

BQ77915 保护器适用于无需主机监控的电池包。

## 6 Device Comparison Table

Unless otherwise specified, the device has, by default, a state comparator enabled with a 1.875-mV threshold. A filtered fault detection is used by default.

**表 6-1. Device Comparison Table**

Part Number	OV			UV				OW	OCD1			OCD2		SCD		OCC
	Threshold (mV)	Delay (s)	Hyst (mV)	Threshold (mV)	Delay (s)	Hyst (mV)	Load Removal Recovery (Y/N)	Current (nA)	Threshold (mV)	Delay (ms)	Threshold (mV)	Delay (ms)	Threshold (mV)	Delay (ms)	Threshold (mV)	
BQ7791500	4200	1	200	2900	1	400	Y	100	60	180	60	180	120	0.96	60	
BQ7791501	4250	1	200	2800	1	400	Y	100	35	180	60	180	120	0.96	20	
BQ7791502	4200	1	200	2900	1	400	Y	100	70	180	70	180	120	0.96	70	
BQ7791504	4275	1	100	2000	1	200	N	Disabled								
BQ7791506	3800	1	200	2500	1	400	Y	100	50	700	100	350	300	0.4	60	
BQ7791508	4200	4.5	100	3000	4.5	200	Y	100	70	1420	140	700	300	0.4	60	
BQ7791513	4300	4.5	100	1800	9	200	N	Disabled								
BQ7791514	3650	1	100	2500	1	200	Y	100	50	700	100	350	200	0.4	50	

**表 6-2. Device Comparison Table (continued)**

Part Number	Current Fault Recovery		Temperature (°C) <sup>(1)</sup>				Cell Balancing		
	Delay (ms)	Method	OTD	OTC	UTD	UTC	V <sub>START</sub> (V)	V <sub>HYST</sub> (V <sub>OV</sub> - V <sub>FC</sub> ) (mV)	V <sub>STEP</sub> (V <sub>CBTH</sub> - V <sub>CBTL</sub> ) (mV)
BQ7791500	N/A	Load removal only (OCD1, OCD2, SCD)/load detection only (OCC)	65	45	- 10	0	3.8	100	100
BQ7791501	N/A	Load removal only (OCD1, OCD2, SCD)/load detection only (OCC)	70	50	- 20	0	3.8	100	100
BQ7791502	N/A	Load removal only (OCD1, OCD2, SCD)/load detection only (OCC)	65	45	- 10	0	3.8	100	100
BQ7791504	Disabled	N/A	Disabled				3.5	50	50
BQ7791506	N/A	Load removal only (OCD1, OCD2, SCD)/load detection only (OCC)	65	50	- 10	0	3.5	100	50
BQ7791508	500	Load removal only (OCD1, OCD2, SCD)/load detection only (OCC)	65	50	- 20	- 5	3.8	100	50
BQ7791513	Disabled	N/A	Disabled				3.8	150	50
BQ7791514	N/A	Load removal only (OCD1, OCD2, SCD)/load detection only (OCC)	65	50	- 10	0	3.5	100	50

(1) These thresholds are targets, based on temperature, but they are dependent on external components that could vary based on customer selection. The circuit is based on a 103AT NTC thermistor connected to TS and VSS, and a 10-kΩ resistor connected to VTB and TS. Actual thresholds are determined in mV; refers to the overtemperature and undertemperature mV threshold in the *Electrical Characteristics* table.

## 7 Pin Configuration and Functions

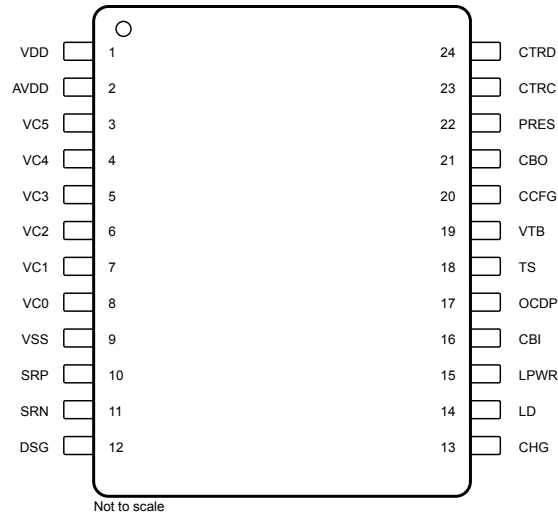


图 7-1. PW Package 24-Pin TSSOP Top View

表 7-1. Pin Functions

NUMBER	NAME	I/O	DESCRIPTION
1	VDD	P <sup>(1)</sup>	Supply voltage
2	AVDD	O	Analog supply (only connect to a capacitor)
3	VC5	I	Cell voltage sense inputs
4	VC4	I	
5	VC3	I	
6	VC2	I	
7	VC1	I	
8	VC0	I	
9	VSS	P	Analog ground
10	SRP	I	Current sense input connecting to the battery side of the sense resistor
11	SRN	I	Current sense input connecting to the pack side of the sense resistor
12	DSG	O	DSG FET driver output
13	CHG	O	CHG FET driver output
14	LD	I	PACK – load removal detection
15	LPWR	O	HIBERNATE mode communication pin. Connect to the PRES pin of the lower device in a stack configuration. For a single device, leave the LPWR pin floating.
16	CBI	I	Cell balancing input. Leave the CBI pin floating to disable cell balancing, and do not drive with an external supply. Drive the pin low to enable cell balancing. In a stacked configuration, connect the CBI pin of an upper device to the CBO pin of the immediate lower device.
17	OCDP	I	Connecting a resistor from this pin to VSS programs the OCD1/2 fault detection delay. Connect to a 10-M $\Omega$ resistor to VSS for the upper devices in a stack.
18	TS	I	Thermistor measurement input. Connect a 10-k $\Omega$ resistor to the VSS pin if the function is not used.
19	VTB	O	Thermistor bias output
20	CCFG	I	Cell in-series configuration input
21	CBO	O	Cell balancing output. Connect through a 10-k resistor to the CBI pin of the upper device in a stacked configuration. For a single device, leave the CBO pin floating.

**表 7-1. Pin Functions (continued)**

NUMBER	NAME	I/O	DESCRIPTION
22	PRES	I	HIBERNATE mode input. Drive high for NORMAL mode operation. Leave the PRES pin floating for HIBERNATE mode. Connect to the LPWR pin of the upper device in a stack configuration.
23	CTRC	I	CHG and DSG override inputs
24	CTRD	I	

(1) I = Input, O = Output, P = Power

## 8 Specifications

### 8.1 Absolute Maximum Ratings

Over operating free-air temperature range (unless otherwise noted). All values are referenced to VSS unless otherwise noted.<sup>(1)</sup>

		MIN	MAX	UNIT	
V <sub>I</sub>	Input voltage	VDD, VC5, VC4, VC3, VC2, VC1, CTRD, CTRC	- 0.3	36	V
		LD	- 30	20	V
		PRES	- 0.3	36	V
		VC0, SRN, SRP, TS, AVDD, CCFG, CBI	- 0.3	3.6	V
V <sub>O</sub>	Output voltage	DSG	- 0.3	20	V
		CHG	- 30	20	V
		CBO	- 0.3	36	V
		LPWR	- 30	3.6	V
V <sub>O</sub>	Output voltage	VTB, OCDP	- 0.3	3.6	V
I <sub>I</sub>	Input current	LD, CHG		500	μA
		DSG		1	mA
I <sub>O</sub>	Output current	CHG, DSG		1	mA
I <sub>O</sub>	Output current	Cell Balancing current (VC5, VC4, VC3, VC2, VC1, VC0)		50	mA
Lead temperature (soldering, 10 s), T <sub>SOLDER</sub>				300	°C
Storage temperature, T <sub>stg</sub>			- 65	150	°C

(1) Operation outside the Absolute Maximum Ratings may cause permanent device damage. Absolute Maximum Ratings do not imply functional operation of the device at these or any other conditions beyond those listed under Recommended Operating Conditions. If outside the Recommended Operating Conditions but within the Absolute Maximum Ratings, the device may not be fully functional, and this may affect device reliability, functionality, performance, and shorten the device lifetime.

### 8.2 ESD Ratings

		VALUE	UNIT
V <sub>(ESD)</sub>	Electrostatic discharge	Human-body model (HBM), per ANSI/ESDA/JEDEC JS-001 <sup>(1)</sup>	±1000
		Charged-device model (CDM), per JEDEC specification JESD22-C101 <sup>(2)</sup>	±250

(1) JEDEC document JEP155 states that 500-V HBM allows safe manufacturing with a standard ESD control process.

(2) JEDEC document JEP157 states that 250-V CDM allows safe manufacturing with a standard ESD control process.

### 8.3 Recommended Operating Conditions

Over operating free-air temperature range (unless otherwise noted)

		MIN	NOM	MAX	UNIT
V <sub>BAT</sub>	Supply voltage	VDD	3	25	V

### 8.3 Recommended Operating Conditions (continued)

Over operating free-air temperature range (unless otherwise noted)

		MIN	NOM	MAX	UNIT
V <sub>I</sub>	Input voltage range	VC5-VC4, VC4-VC3, VC3-VC2, VC2-VC1, VC1-VC0	0	5	V
		CTRD, CTRC	0	(VDD + 5)	
		CCFG, CBI	0	AVDD	
		PRES	0	16	
		SRN, SRP	- 0.2	0.8	
		LD	0	16	
		TS	0	VTB	
V <sub>O</sub>	Output voltage range	CHG, DSG	0	16	V
		VTB, AVDD, LPWR	0	3	
		CBO	0	VDD	
T <sub>OPR</sub>	Operating free-range temperature	- 40		85	°C
R <sub>INE</sub>	Cell monitor filter resistance (External Cell balancing)	± 5% tolerance	1		kΩ
C <sub>INE</sub>	Cell monitor filter capacitance (External Cell balancing)	± 10% tolerance	0.1		μF
R <sub>INI</sub>	Cell monitor filter resistance (Internal Cell balancing. 50-mA balancing current at 4.2-V cell voltage)	± 5% tolerance	33		Ω
C <sub>INI</sub>	Cell monitor filter capacitance (Internal Cell balancing)	± 10% tolerance	1		μF
R <sub>VDD</sub>	Supply voltage filter resistance	± 5% tolerance	1		kΩ
C <sub>VDD</sub>	Supply voltage filter capacitance	± 20% tolerance	1		μF
R <sub>TS</sub>	Thermistor	103AT, ± 3% tolerance	10		kΩ
R <sub>TS_PU</sub>	Thermistor pullup resistor to VTB	± 1% tolerance	10		kΩ
R <sub>GS_CHG</sub>	CHG FET gate-source resistor	± 5% tolerance	1		MΩ
R <sub>GS_DSG</sub>	DSG FET gate-source resistor	± 5% tolerance	1		MΩ
R <sub>DSG</sub>	DSG gate resistor, System designers should adjust this parameter to meet the desirable FET rise/fall time.	± 5% tolerance	4.5		kΩ
R <sub>CHG</sub>	CHG gate resistor	± 5% tolerance. System designers should adjust this parameter to meet the desirable FET rise/fall time.	1		kΩ
		± 5% tolerance. If additional components are used to protect the CHG FET and/or to enable load removal detection for UV recovery.	1		MΩ
R <sub>CTRC</sub>	CTRC current limit resistor	± 5% tolerance	10		MΩ
R <sub>CTRD</sub>	CTRD current limit resistor	± 5% tolerance	10		MΩ
R <sub>LD</sub>	LD resistor for load removal detection	± 5% tolerance	470		kΩ
R <sub>CB</sub>	Resistor between CBO of lower device and CBI of upper device	± 5% tolerance	10		kΩ
R <sub>HIB</sub>	Resistor between LPWR of upper device and PRES of upper device	± 5% tolerance	10		kΩ

### 8.3 Recommended Operating Conditions (continued)

Over operating free-air temperature range (unless otherwise noted)

		MIN	NOM	MAX	UNIT
R <sub>SNS</sub>	Current sense resistor for current protection. System designers should change this parameter according to the application current protection requirement.		1		mΩ
		± 1% tolerance			

### 8.4 Thermal Information

Over operating free-air temperature range (unless otherwise noted)

THERMAL METRIC		BQ77915 PW (TSSOP) 24 PINS	UNIT <sup>(1)</sup>
R <sub>θJA</sub>	Junction-to-ambient thermal resistance	88.9	°C/W
R <sub>θJC(top)</sub>	Junction-to-case thermal resistance	26.5	°C/W
R <sub>θJB</sub>	Junction-to-board thermal resistance	43.5	°C/W
ψ <sub>JT</sub>	Junction-to-top characterization parameter	1.1	°C/W
ψ <sub>JB</sub>	Junction-to-board characterization parameter	43	°C/W

(1) For more information about traditional and new thermal metrics, see the [Semiconductor and IC Package Thermal Metrics Application Report, SPRA953](#) SPRA953.

### 8.5 Electrical Characteristics

Typical values stated at T<sub>A</sub> = 25°C and VDD = 20 V. MIN and MAX values stated with T<sub>A</sub> = -40°C to 85°C and VDD = 3 to 25 V unless otherwise noted.

PARAMETER	TEST CONDITIONS	MIN	TYP	MAX	UNIT		
<b>SUPPLY VOLTAGE</b>							
V <sub>POR</sub>	POR threshold	VDD rising, 0 to 6 V		4	V		
V <sub>SHUT</sub>	Shutdown threshold	VDD falling, 6 to 0 V		3.25	V		
V <sub>AVDD</sub>	AVDD voltage	C <sub>VDD</sub> = 1 μF		3.6	V		
<b>SUPPLY AND LEAKAGE CURRENT</b>							
I <sub>CC</sub>	NORMAL mode current	Cell1 through Cell5 = 4 V, VDD = 20 V, No cell balancing		8	15	μA	
		Cell balancing cells 3, 4 or 5		48	80	μA	
I <sub>HIB</sub>	HIBERNATE mode current	Cell1 through Cell5 = 4 V, VDD = 20 V, HIBERNATE mode		2	3	μA	
I <sub>CFault</sub>	Fault condition current	State comparator on		10	15	μA	
I <sub>OFF</sub>	SHUTDOWN mode current	VDD < V <sub>SHUT</sub> , CTRC/CTRD floating		0.5		μA	
I <sub>LKG_OW_DIS</sub>	Input leakage current at VCx pins	All cell voltages = 4 V, open-wire disable configuration		-100	0	100	nA
I <sub>LKG_100nA</sub>	Open-wire sink current at VCx pins	All cell voltages = 4 V, 100-nA configuration		30	110	175	nA
I <sub>LKG_200nA</sub>	Open-wire sink current at VCx pins	All cell voltages = 4 V, 200-nA configuration		95	210	315	nA
I <sub>LKG_400nA</sub>	Open-wire sink current at VCx pins	All cell voltages = 4 V, 400-nA configuration		220	425	640	nA
<b>PROTECTION ACCURACIES</b>							
V <sub>OV</sub>	Overvoltage programmable threshold range			3000	4575	mV	
V <sub>UV</sub>	Undervoltage programmable threshold range			1200	3000	mV	

## 8.5 Electrical Characteristics (continued)

Typical values stated at  $T_A = 25^\circ\text{C}$  and  $V_{DD} = 20\text{ V}$ . MIN and MAX values stated with  $T_A = -40^\circ\text{C}$  to  $85^\circ\text{C}$  and  $V_{DD} = 3$  to  $25\text{ V}$  unless otherwise noted.

PARAMETER		TEST CONDITIONS	MIN	TYP	MAX	UNIT
$V_{VA}$	OV, UV, detection accuracy	$T_A = 25^\circ\text{C}$ , OV detection accuracy	- 10		10	mV
		$T_A = 25^\circ\text{C}$ , UV detection accuracy	- 18		18	mV
		$T_A = 0$ to $60^\circ\text{C}$	- 28		26	mV
		$T_A = -40$ to $+85^\circ\text{C}$	- 40		40	mV
$V_{HYS\_OV}$	OV hysteresis programmable threshold range		0		400	mV
$V_{HYS\_UV}$	UV hysteresis programmable threshold range		0		800	mV
$V_{OTD}$	Overtemperature in discharge programmable threshold	Threshold for $65^\circ\text{C}$ based on a 10k pullup and 103AT thermistor	19.69%	20.56%	21.86%	VTB
		Threshold for $70^\circ\text{C}$ based on a 10k pullup and 103AT thermistor	17.28%	18.22%	19.51%	VTB
$V_{OTD\_REC}$	Overtemperature in discharge recovery	Recovery threshold at $55^\circ\text{C}$ for when $V_{OTD}$ is at $65^\circ\text{C}$ based on a 10k pullup and 103AT thermistor	25.18%	26.12%	27.44%	VTB
		Recovery threshold at $60^\circ\text{C}$ for when $V_{OTD}$ is at $70^\circ\text{C}$ based on a 10k pullup and 103AT thermistor	22.05%	23.2%	24.24%	VTB
$V_{OTC}$	Overtemperature in charge programmable threshold	Threshold for $45^\circ\text{C}$ based on a 10k pullup and 103AT thermistor	32.14%	32.94%	34.54%	VTB
		Threshold for $50^\circ\text{C}$ based on a 10k pullup and 103AT thermistor	29.15%	29.38%	31.45%	VTB
$V_{OTC\_REC}$	Overtemperature in charge recovery	Recovery threshold at $35^\circ\text{C}$ for when $V_{OTD}$ is at $45^\circ\text{C}$ based on a 10k pullup and 103AT thermistor	38.63%	40.97%	40.99%	VTB
		Recovery threshold at $40^\circ\text{C}$ for when $V_{OTD}$ is at $50^\circ\text{C}$ based on a 10k pullup and 103AT thermistor	36.18%	36.82%	38.47%	VTB
$V_{UTD}$	Undertemperature in discharge programmable threshold	Threshold for $-20^\circ\text{C}$ based on a 10k pullup and 103AT thermistor	86.41%	87.14%	89.72%	VTB
		Threshold for $-10^\circ\text{C}$ based on a 10k pullup and 103AT thermistor	80.04%	80.94%	83.10%	VTB
$V_{UTD\_REC}$	Undertemperature in discharge recovery	Recovery threshold at $-10^\circ\text{C}$ for when $V_{UTD}$ is at $-20^\circ\text{C}$ based on a 10k pullup and 103AT thermistor	80.04%	80.94%	83.10%	VTB
		Recovery threshold at $0^\circ\text{C}$ for when $V_{UTD}$ is at $-10^\circ\text{C}$ based on a 10k pullup and 103AT thermistor	71.70%	73.18%	74.86%	VTB
$V_{UTC}$	Undertemperature in charge programmable threshold	Threshold for $-5^\circ\text{C}$ based on a 10k pullup and 103AT thermistor	75.06%	77.22%	78.32%	VTB
		Threshold for $0^\circ\text{C}$ based on a 10k pullup and 103AT thermistor	71.70%	73.18%	74.86%	VTB
$V_{UTC\_REC}$	Undertemperature in Charge Recovery	Recovery threshold at $5^\circ\text{C}$ for when $V_{UTC}$ is at $-5^\circ\text{C}$ based on a 10k pullup and 103AT thermistor	68.80%	69.73%	71.71%	VTB
		Recovery threshold at $10^\circ\text{C}$ for when $V_{UTC}$ is at $0^\circ\text{C}$ based on a 10k pullup and 103AT thermistor	64.67%	65.52%	67.46%	VTB
$V_{OCC}$	Overcurrent charge programmable threshold range, ( $V_{SRP}-V_{SRN}$ )		5		80	mV



## 8.5 Electrical Characteristics (continued)

Typical values stated at  $T_A = 25^\circ\text{C}$  and  $V_{DD} = 20\text{ V}$ . MIN and MAX values stated with  $T_A = -40^\circ\text{C}$  to  $85^\circ\text{C}$  and  $V_{DD} = 3$  to  $25\text{ V}$  unless otherwise noted.

PARAMETER		TEST CONDITIONS	MIN	TYP	MAX	UNIT
$V_{OCD1}$	Overcurrent discharge 1 programmable threshold range		- 85		- 10	mV
$V_{OCD2}$	Overcurrent discharge 2 programmable threshold range		- 170		- 20	mV
$V_{SCD}$	Short circuit discharge programmable threshold range		- 340		- 40	mV
$V_{CCAL}$	OCD1 detection accuracy at lower thresholds	$VOCD1 \leq 20\text{ mV}$	- 30 %		30 %	
$V_{CCAH}$	OCC, OCD1, OCD2, SCD detection accuracy	$VOCD1 > 20\text{ mV}$ ; all OCC, OCD2 and SCD threshold ranges	- 20 %		20 %	
$V_{OW}$	Open-wire fault voltage threshold at $VC_x$ per cell with respect to $VC_{x-1}$	Voltage falling on $VC_x$ , 3.6 V to 0 V	450	500	550	mV
$V_{OW\_HYS}$	Hysteresis for open wire fault	Voltage rising on $VC_x$ , 0 V to 3.6 V		100		mV
<b>PROTECTION DELAYS</b>						
$t_{OVn\_DELAY}$	Overvoltage detection delay time	0.5-s delay option	0.4	0.5	0.8	s
		1-s delay option	0.8	1	1.4	
		2-s delay option	1.8	2	2.7	
		4.5-s delay option	4	4.5	5.2	
$t_{UVn\_DELAY}$	Undervoltage detection delay time	1-s delay option	0.8	1	1.5	s
		2-s delay option	1.8	2	2.7	
		4.5-s delay option	4	4.5	5.5	
		9-s delay option	8	9	10.2	
$t_{OWn\_DELAY}$	Open-wire detection delay time		3.6	4.5	5.3	s
$t_{OTC\_DELAY}$	Overtemperature charge detection delay time		3.6	4.5	5.3	s
$t_{UTC\_DELAY}$	Undertemperature charge detection delay time		3.6	4.5	5.3	s
$t_{OTD\_DELAY}$	Overtemperature discharge detection delay time		3.6	4.5	5.3	s
$t_{UTD\_DELAY}$	Undertemperature discharge detection delay time		3.6	4.5	5.3	s
$t_{OCD1\_DELAY}$	Overcurrent discharge 1 detection delay time	10-ms delay option	8	10	15	ms
		20-ms delay option	17	20	26	
		45-ms delay option	36	45	52	
		90-ms delay option	78	90	105	
		180-ms delay option	155	180	205	
		350-ms delay option	320	350	405	
		700-ms delay option	640	700	825	
		1420-ms delay option	1290	1420	1620	

## 8.5 Electrical Characteristics (continued)

Typical values stated at  $T_A = 25^\circ\text{C}$  and  $V_{DD} = 20\text{ V}$ . MIN and MAX values stated with  $T_A = -40^\circ\text{C}$  to  $85^\circ\text{C}$  and  $V_{DD} = 3$  to  $25\text{ V}$  unless otherwise noted.

PARAMETER		TEST CONDITIONS	MIN	TYP	MAX	UNIT
$t_{\text{OCD2\_DELAY}}$	Overcurrent discharge 2 detection delay time	5-ms delay option	4	5	8	ms
		10-ms delay option	8	10	15	
		20-ms delay option	17	20	26	
		45-ms delay option	36	45	52	
		90-ms delay option	78	90	105	
		180-ms delay option	155	180	205	
		350-ms delay option	320	350	405	
		700-ms delay option	640	700	825	
$t_{\text{SCD\_DELAY}}$	Short-circuit detection delay time	960- $\mu\text{s}$ delay option	528	960	1450	us
$t_{\text{SCD\_DELAY}}$	Short-circuit detection delay time	400- $\mu\text{s}$ delay option	220	400	610	$\mu\text{s}$
$t_{\text{OCC\_DELAY}}$	Overcurrent charge detection delay time		8	10	12	ms
$t_{\text{CD\_REC}}$	Overcurrent discharge 1, Overcurrent discharge 2, Overcurrent charge and short-circuit recovery delay time	250-ms option	225	250	275	ms
		500-ms option	450	500	550	
<b>CHARGE AND DISCHARGE FET DRIVERS</b>						
$V_{\text{FETON}}$	CHG/DSG on	$V_{DD} \geq 12\text{ V}$ , $CL = 10\text{ nF}$	11	12	14	V
		$V_{DD} < 12\text{ V}$ , $CL = 10\text{ nF}$	$V_{DD} - 1.5$		$V_{DD}$	V
$V_{\text{FETOFF}}$	CHG/DSG off	1-mA resistive load, CHG clamped to ground when CHG/DSG is off.			0.5	V
$t_{\text{CHGON}}$	CHG on rise time	$CL = 10\text{ nF}$ , 10% to 90%		50	150	$\mu\text{s}$
$t_{\text{DSGON}}$	DSG on rise time	$CL = 10\text{ nF}$ , 10% to 90%		2	75	$\mu\text{s}$
$t_{\text{CHGOFF}}$	CHG off fall time	$CL = 10\text{ nF}$ , 90% to 10%		15	30	$\mu\text{s}$
$t_{\text{DSGOFF}}$	DSG off fall time	$CL = 10\text{ nF}$ , 90% to 10%		5	15	$\mu\text{s}$
$R_{\text{CHGOFF}}$	CHG off resistance	CHG off and pin held at 2V	0.3	0.5	0.75	$\text{k}\Omega$
$R_{\text{DSGOFF}}$	DSG off resistance	DSG off and pin held at 100 mV		10	16	$\Omega$
<b>CELL BALANCING</b>						
$V_{\text{HYST}}$	Hysteresis between overvoltage and full charge voltage range (VOV - VFC, 4 steps of 50 mV)	$T_A = 25^\circ\text{C}$	50		200	mV
$V_{\text{STEP}}$	Difference between the cell balancing threshold voltages (VCBTH - VCBTL, 4 steps of 50 mV)	$T_A = 25^\circ\text{C}$	50		200	mV
$V_{\text{CBIL}}$	CBI low threshold				0.5	V
$t_{\text{CBI\_DEG}}$	CBI deglitch period			100		ms
$R_{\text{BAL}}$	Cell balancing internal FET resistance	Cell1 through Cell5 = 4 V, $V_{DD} = 20\text{ V}$	8	12	20	$\Omega$
$D_{\text{BAL}}$	Cell balancing duty cycle	Only one cell balanced in the stack		90 %		
$t_{\text{BAL}}$	Odd and even cell group balancing duration			521		ms
<b>HIBERNATE MODE</b>						
$V_{\text{PRESH}}$	PRES High Threshold		1.25	1.5	1.75	V
$t_{\text{PRES\_DEG\_ENT}}$	PRES deglitch time (hibernate entry)			4.5		s

## 8.5 Electrical Characteristics (continued)

Typical values stated at  $T_A = 25^\circ\text{C}$  and  $V_{DD} = 20\text{ V}$ . MIN and MAX values stated with  $T_A = -40^\circ\text{C}$  to  $85^\circ\text{C}$  and  $V_{DD} = 3$  to  $25\text{ V}$  unless otherwise noted.

PARAMETER		TEST CONDITIONS	MIN	TYP	MAX	UNIT
$t_{\text{PRES\_DEG\_EXT}}$	PRES deglitch time (hibernate exit)			10		ms
<b>CTRC AND CTRD CONTROL</b>						
$V_{\text{CTR1}}$	Enable FET driver (VSS)	With respect to VSS. Enabled < MAX			0.6	V
$V_{\text{CTR2}}$	Enable FET driver (Stacked)	Enabled > MIN	$V_{DD} + 2.2$			V
$V_{\text{CTRDIS}}$	Disable FET driver	Disabled between MIN and MAX	2.04	$V_{DD} + 0.7$		V
$V_{\text{CTRMAXV}}$	CTRC and CTRD clamp voltage	$I_{\text{CTR}} = 600\text{ nA}$	$V_{DD} + 2.8$	$V_{DD} + 4$	$V_{DD} + 5$	V
$t_{\text{CTRDEG\_ON}}$	CTRC and CTRD deglitch for ON signal			8		ms
$t_{\text{CTRDEG\_OFF}}$	CTRC and CTRD deglitch for OFF signal			8		ms
<b>CURRENT STATE COMPARATOR</b>						
$V_{\text{STATE\_D}}$	Discharge qualification threshold1	Measured at SRP-SRN		- 1.875		mV
$V_{\text{STATE\_D\_HYS}}$	Discharge qualification threshold1 hysteresis	Measured at SRP-SRN		- 1.25		mV
$V_{\text{STATE\_C}}$	Charge qualification threshold1	Measured at SRP-SRN		1.875		mV
$V_{\text{STATE\_C\_HYS}}$	Charge qualification threshold1 hysteresis	Measured at SRP-SRN		1.25		mV
$t_{\text{STATE}}$	State detection qualification time				1.2	ms
<b>LOAD DETECTION AND LOAD REMOVAL DETECTION</b>						
$V_{\text{LDCLAMP}}$	LD clamp voltage	$I_{\text{LDCLAMP}} = 300\text{ }\mu\text{A}$	16	19	20	V
$I_{\text{LDCLAMP}}$	LD clamp current	$V_{\text{LDCLAMP}} = 18\text{ V}$			450	$\mu\text{A}$
$V_{\text{LDT}}$	LD threshold	OPEN pack terminals	1.25	1.3	1.35	V
$R_{\text{LD\_INT}}$	LD input resistance when enabled	Measured to VSS		200		$\text{k}\Omega$
$t_{\text{LD\_DEG}}$	LD detection de-glitch		1	1.5	2.3	ms
<b>CCFG PIN</b>						
$V_{\text{CCFGL}}$	CCFG threshold low (ratio of $V_{\text{AVDD}}$ )	3-cell configuration			10%	AVDD
$V_{\text{CCFGH}}$	CCFG threshold high (ratio of $V_{\text{AVDD}}$ )	4-cell configuration	65%		100%	AVDD
$V_{\text{CCFGHZ}}$	CFG threshold high-Z (ratio of $V_{\text{AVDD}}$ )	5-cell configuration, CCFG floating, internally biased	25%	33%	45%	AVDD
$t_{\text{CCFG\_DEG}}$	CCFG deglitch			6		ms
<b>CUSTOMER TEST MODE</b>						
$V_{\text{CTM}}$	Customer test mode entry voltage at VDD	$V_{DD} > V_{C5} + V_{\text{CTM}}$ , $T_A = 25^\circ\text{C}$	8.5		10	V
$t_{\text{CTM\_ENTRY}}$	Delay time to enter and exit customer test mode	$V_{DD} > V_{C5} + V_{\text{CTM}}$ , $T_A = 25^\circ\text{C}$	50			ms
$t_{\text{CTM\_DELAY}}$	Delay time of faults while in customer test mode	$T_A = 25^\circ\text{C}$			200	ms
$t_{\text{CTM\_OC\_REC}}$	Fault recovery time of OCD1, OCD2, and SCD faults while in customer test mode	250-ms and 500-ms options, $T_A = 25^\circ\text{C}$			100	ms

## 8.6 Typical Characteristics

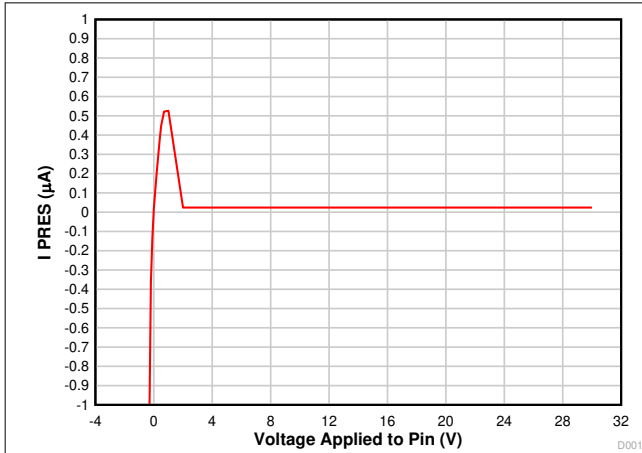


图 8-1. Current into the PRES Pin

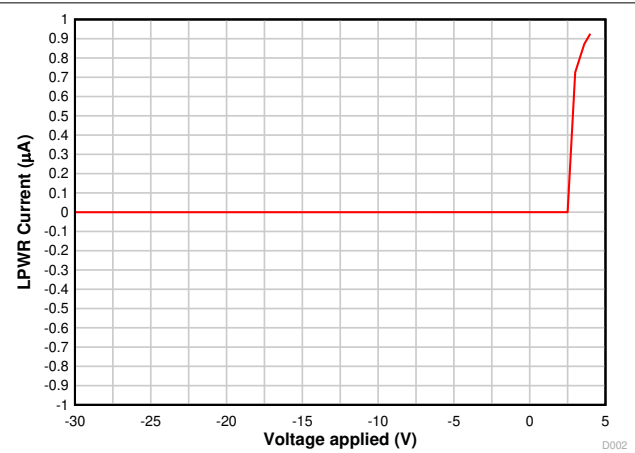


图 8-2. LPWR Current

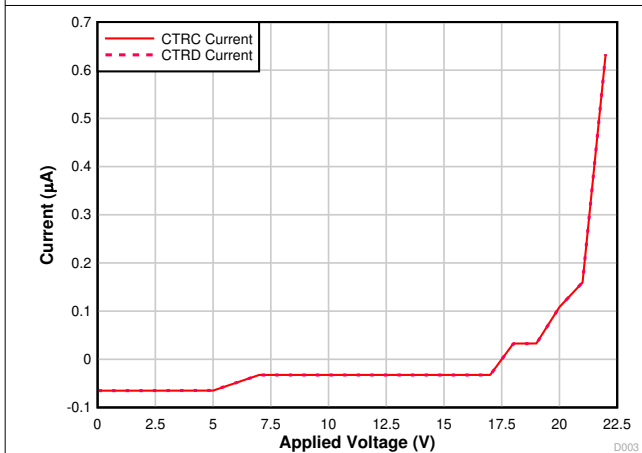


图 8-3. CTRC and CTRD Current

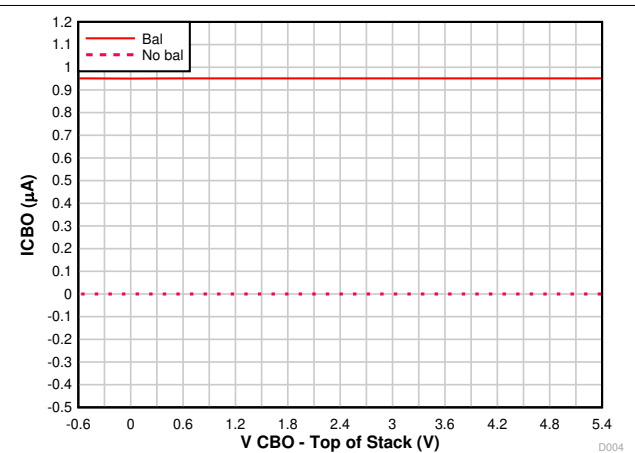


图 8-4. CBO Current Input at 18 V

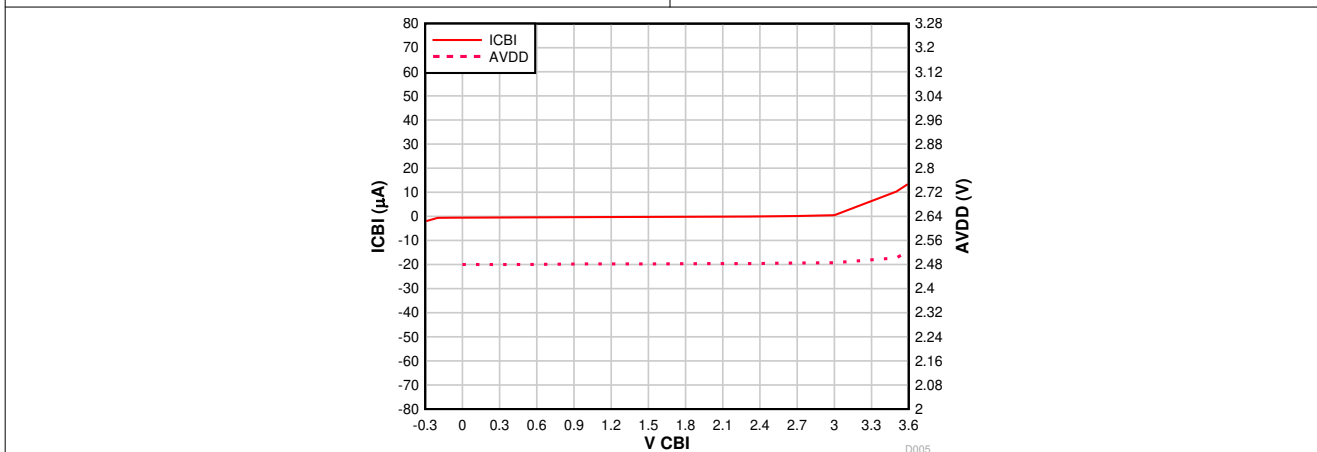


图 8-5. CBI Input Current vs. VCBI

## 9.1 Overview

The BQ77915 device is a full-feature stackable primary protector for Li-ion/Li-polymer batteries with a smart cell-balancing algorithm. The device implements a suite of protections that include the following:

- Cell voltage: overvoltage, undervoltage
- Current: overcurrent charge, overcurrent discharge 1 and 2, short circuit discharge
- Temperature: overtemperature and undertemperature in charge and discharge
- PCB: cell open-wire connection
- FET body diode protection

Protection thresholds and delays are factory-programmed and available in a variety of configurations.

The BQ77915 device supports 3-series to 5-series cell configurations. Up to four devices stack to support  $\geq 6$ -series cell configurations, providing protections up to a 20-series cell configuration. It is possible to support greater than 20-series cell configurations, but with careful consideration of delays.

The device has an ultra-low current HIBERNATE mode for shipping and storage. The device also features a smart cell-balancing algorithm to minimize cell-to-cell imbalance. The BQ77915 has built-in CHG and DSG drivers for low-side N-channel FET protection, which automatically open up the CHG and/or DSG FETs after protection delay time when a fault is detected. A set of CHG/DSG overrides enables disabling the CHG and/or DSG driver externally. Although the host system can use this function to disable the FET control, the main usage of these pins is to channel down the FET control signal from the upper device to the lower device in a cascading configuration in  $\geq 6$ -series battery packs.

### 9.1.1 Device Functionality Summary

**表 9-1. Device Functionality Summary**

FAULT DESCRIPTOR		FAULT DETECTION THRESHOLD and DELAY OPTIONS		FAULT RECOVERY METHOD and SETTING OPTIONS	
OV	Overvoltage	3 V to 4.575 V (25-mV step)	0.5, 1, 2, 4.5 s	Hysteresis	0, 100, 200, 400 mV
UV	Undervoltage	1.2 V to 3 V (100-mV step for < 2.5 V, 50-mV step for $\geq 2.5$ V)	1, 2, 4.5, 9 s	Load removal + hysteresis	0, 200, 400, 800 mV
OW	Open wire (cell to pcb disconnection)	0 (disabled), 100 nA, 200 nA, 400 nA	4.5 s	Restore bad VCx to PCB connection	$VCx > V_{OW}$
OTD <sup>(1)</sup>	Overtemperature during discharge	65°C or 70°C	4.5 s	Hysteresis or load removal + hysteresis	10°C
OTC <sup>(1)</sup>	Overtemperature during charge	45°C or 50°C	4.5 s	Hysteresis	10°C
UTD <sup>(1)</sup>	Undertemperature during discharge	- 20°C or - 10°C	4.5 s	Hysteresis	10°C
UTC <sup>(1)</sup>	Undertemperature during charge	- 5°C or 0°C	4.5 s	Hysteresis	10°C
OCC	Overcurrent during charge	5 mV to 80 mV (5-mV step)	10 ms	Timer auto-release and load detection, timer auto-release only, load detection only	250 ms or 500 ms
OCD1	Overcurrent1 during discharge	- 10 mV to - 85 mV (5-mV step)	10, 20, 45, 90, 180, 350, 700, 1420 ms	Timer auto-release and load removal, timer auto-release only, load removal only	
OCD2	Overcurrent2 during discharge	- 20 mV to - 170 mV (10-mV step)	5, 10, 20, 45, 90, 180, 350, 700 ms		
SCD	Short circuit discharge	- 40 mV to - 340 mV (20-mV step)	400, 960 $\mu$ s		
CTRC	CHG signal override control	Disable through external control or through CHG signal from the upper device in stack configuration	$t_{CTRDEG\_ON}$	Enable through external control or through the CHG signal from the upper device in stack configuration	$t_{CTRDEG\_OFF}$
CTRD	DSG signal override control	Disable through external control or through DSG signal from the upper device in stack configuration	$t_{CTRDEG\_ON}$	Enable through external control or through the DSG signal from the upper device in stack configuration	$t_{CTRDEG\_OFF}$

- (1) These thresholds are target-based on temperature, but they are dependent on external components that could vary based on customer selections. The circuit is based on a 103AT NTC thermistor connected to TS and VSS, and a 10-k  $\Omega$  resistor connected to VTB and TS. Actual thresholds are determined in mV; refers to the over- and undertemperature mV threshold in the *Electrical Characteristics* table.

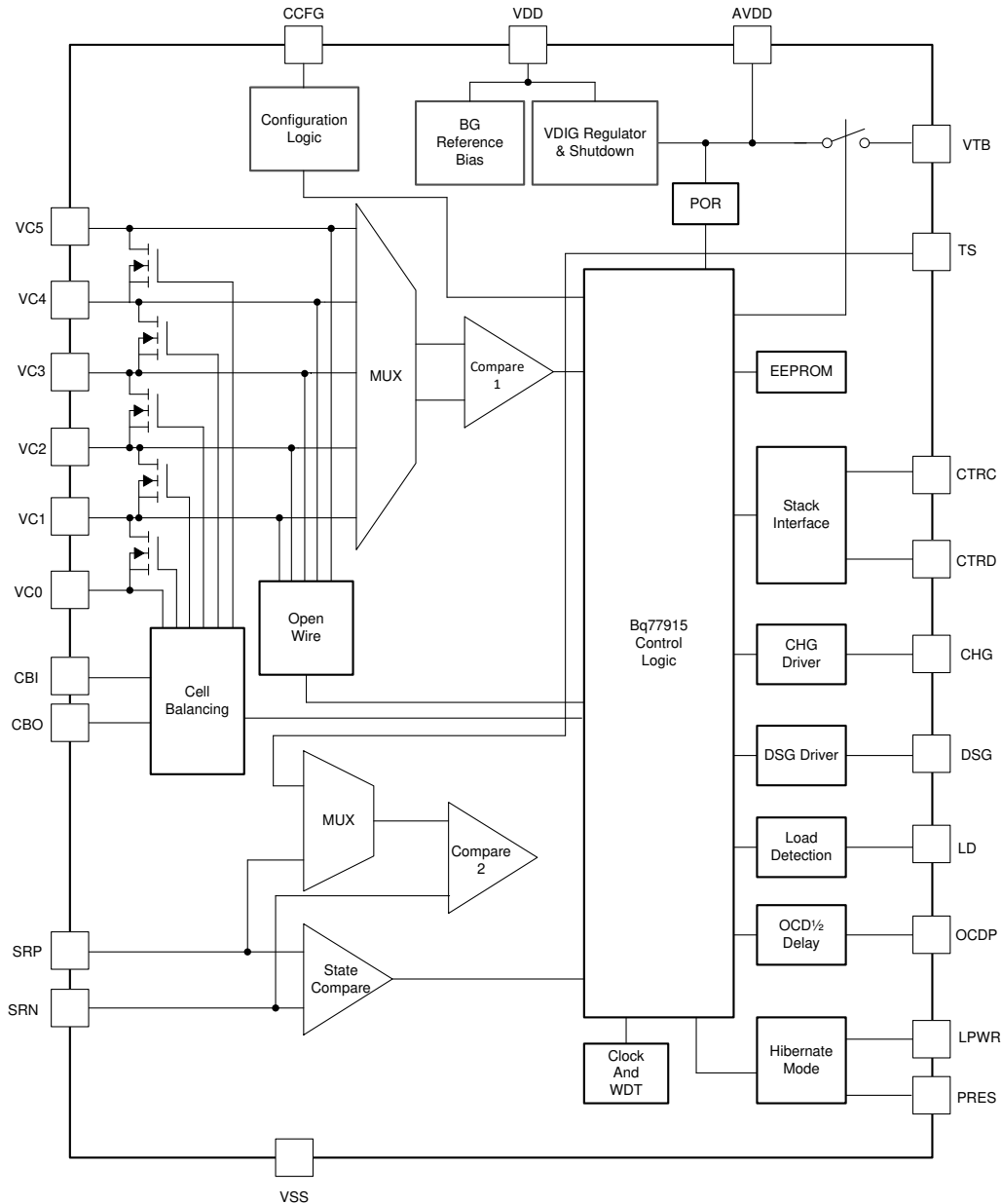
**表 9-2. Cell Balancing Threshold Summary**

NAME	Description	Options
$V_{START}$	Start threshold for cell balancing	3.5 V, 3.8 V
$V_{HYST}$	Hysteresis between overvoltage and full charge voltage range (VOV - VFC)	50 mV, 100 mV, 150 mV, 200 mV

**表 9-2. Cell Balancing Threshold Summary (continued)**

NAME	Description	Options
V <sub>STEP</sub>	Difference between the cell balancing threshold voltages (VCBTH - VCBTL)	50 mV, 100 mV, 150 mV, 200 mV

## 9.2 Functional Block Diagram



## 9.3 Feature Description

### 9.3.1 Protection Summary

Two comparators are time-multiplexed to detect all of the protection fault conditions, and to measure cell voltages for balancing. Each of the comparators runs on a time-multiplexed schedule and cycles through the assigned protection fault checks and voltage measurements. Comparator 1 checks for OV, UV, OW, OTC, OTD, UTC, and UTD protection faults and measure individual cell voltages for balancing. Comparator 2 checks for OCD1, OCD2, SCD, and OCC protection faults. For OV, UV, and OW protection faults and cell balancing, every

cell is checked individually in a round-robin fashion, starting with cell 1 and ending with the highest selected cell. The number of the highest cell is configured using the CCFG pin.

Devices can be ordered with various timing and hysteresis settings. See [表 9-1](#) for more details.

### 9.3.2 Fault Operation

#### 9.3.2.1 Operation in OV

An OV fault detection occurs when at least one of the cell voltages is measured above the OV threshold,  $V_{OV}$  for a time of OV delay,  $t_{OVn\_DELAY}$ . The CHG FET is turned off. The OV fault recovers when the voltage of the cell in fault is below the (OV threshold - OV hysteresis,  $V_{HYS\_OV}$ ) for a time of OV delay.

The device assumes an OV fault after reset, and clears automatically after an OV delay if all cell voltages are below the OV threshold minus hysteresis. In the event of an overvoltage fault condition on a particular cell, the balancing FET corresponding to that cell is turned on until the cell voltage drops to the full charge voltage or until the cell has recovered from overvoltage fault condition, whichever occurs earlier. See [Cell Balancing](#) for more details.

The state comparator is turned on when CHG is turned off. If a discharge current is detected, the device immediately switches the CHG back on. The response time of the state comparator is typically in 700  $\mu$ s and does not pose any disturbance in the discharge event.

#### 9.3.2.2 Operation in UV

A UV fault detection is when at least one of the cell voltages is measured below the UV threshold,  $V_{UV}$ , for a duration of a UV delay,  $t_{UVn\_DELAY}$ . The DSG FET is turned off. The UV fault recovers when:

- The voltage of the cell in fault goes above the (UV threshold + UV hysteresis,  $V_{HYS\_UV}$ ) for a time of a UV delay OR
- The voltage of the cell in fault goes above the (UV threshold + UV hysteresis,  $V_{HYS\_UV}$ ) for a time of a UV delay and the load is removed.

The state comparator turns on the DSG FET before the cell voltage recovers to protect the body diode.

To minimize device supply current when a UV fault has occurred or CTRD was driven to the DISABLED state, the BQ77915 device disables all discharge overcurrent detection blocks. Upon recovery from the fault or when CTRD is no longer externally driven, all discharge overcurrent detection blocks are reactivated.

#### 9.3.2.3 Operation in OW

An OW fault detection is when at least one of the cell voltages is measured below the OW threshold,  $V_{OW}$ , for a duration of OW delay,  $t_{OWn\_DELAY}$ . CHG and DSG are turned off. The OW fault recovers when the cell voltage in fault is above the OW threshold + OW hysteresis,  $V_{OW\_HYS}$ , for a time of OW delay.

The  $t_{OWn\_DELAY}$  time starts when the voltage at a given cell is detected below the  $V_{OW}$  threshold and is not from the time that the actual event of an open wire occurs. During an open-wire event, it is common that the device detects an undervoltage and/or overvoltage fault before detecting an open-wire fault. This occurs due to the differences in fault thresholds, fault delays, and the VCx pin filter capacitor values. For CHG and DSG to return to normal operation mode, the OW, OV, and UV faults' recovery conditions must be met.

#### 9.3.2.4 Operation in OCD1

An OCD1 fault is when the discharge load is high enough that the voltage across the  $R_{SNS}$  resistor ( $V_{SRP} - V_{SRN}$ ) is measured below the OCD1 voltage threshold,  $V_{OCD1}$ , for a duration of OCD1 delay,  $t_{OCD1\_DELAY}$ . CHG and DSG are turned off.

The OCD1 fault recovers when:

- Load removal is detected only,  $V_{LD} < V_{LDT}$ , OR
- Overcurrent Recovery Timer,  $t_{CD\_REC}$ , expiration only OR
- Overcurrent Recovery Timer expiration and load removal is detected.

### 9.3.2.5 Operation in OCD2

An OCD2 fault is when the discharge load is high enough that the voltage across the  $R_{SNS}$  resistor ( $V_{SRP} - V_{SRN}$ ) is measured below the OCD2 voltage threshold,  $V_{OCD2}$ , for a duration of OCD2 delay,  $t_{OCD2\_DELAY}$ . CHG and DSG are turned off.

The OCD2 fault recovers when:

- Load removal detected only,  $V_{LD} < V_{LDT}$ , OR
- Overcurrent Recovery Timer,  $t_{CD\_REC}$ , expiration only OR
- Overcurrent Recovery Timer expiration and load removal is detected.

### 9.3.2.6 Programming the OCD1/2 Delay Using the OCDP Pin

OCD1 and OCD2 detection delays are programmed by the resistor connected from the OCDP pin to VSS. The device checks for the resistor value at power-up. For the bottom device in a stack, 表 9-3 shows how the resistor values are chosen.

表 9-3. OCD1/2 Delay Using OCDP Pin

Resistor Value	OCD1 Delay	OCD2 Delay
750 k $\Omega$ $\pm$ 1%	1420 ms	700 ms
604 k $\Omega$ $\pm$ 1%	700 ms	350 ms
487 k $\Omega$ $\pm$ 1%	350 ms	180 ms
383 k $\Omega$ $\pm$ 1%	180 ms	90 ms
294 k $\Omega$ $\pm$ 1%	90 ms	45 ms
196 k $\Omega$ $\pm$ 1%	45 ms	20 ms
100 k $\Omega$ $\pm$ 1%	EEPROM Delay Options (EC Table)	

The OCD2 delay is roughly half of the OCD1 delay when any of the first six resistors are connected from the OCDP pin to VSS. However, if a 100-k $\Omega$  resistor is connected, the OCD1 and OCD2 delays are independent of each other and can be chosen to have any value provided in the EC table.

For any device other than the bottom device in a stacked configuration, a 10-M $\Omega$  resistor must be connected from the OCDP pin of that device to the VSS pin of the device.

If the OCDP pin is left open, the OCD1 and OCD2 delays are determined by the EEPROM settings.

### 9.3.2.7 Operation in SCD

An SCD fault is when the discharge load is high enough that the voltage across the  $R_{SNS}$  resistor, ( $V_{SRP} - V_{SRN}$ ), is measured below the SCD voltage threshold,  $V_{SCD}$ , for a duration of SCD delay,  $t_{SCD\_DELAY}$ . CHG and DSG are turned off.

The SCD fault recovers when:

- Load removal detected only,  $V_{LD} < V_{LDT}$ , OR
- Overcurrent Recovery Timer,  $t_{CD\_REC}$ , expiration only OR
- Overcurrent Recovery Timer expiration and load removal is detected.

### 9.3.2.8 Operation in OCC

An OCC fault is when the charging current is high enough that the voltage across the  $R_{SNS}$  resistor, ( $V_{SRP} - V_{SRN}$ ), is measured above the OCC voltage threshold,  $V_{OCC}$ , for a duration of OCC delay,  $t_{OCC\_DELAY}$ . CHG and DSG are turned off.

The OCC fault recovers when:

- Load detected only,  $V_{LD} > V_{LDT}$ , OR
- Overcurrent Recovery Timer,  $t_{CD\_REC}$ , expiration only OR



- Overcurrent Recovery Timer expiration and load is detected.

### 9.3.2.9 Overcurrent Recovery Timer

The timer expiration method activates an internal recovery timer as soon as the initial fault condition exceeds the OCD1/OCD2/SCD/OCC time. When the recovery timer reaches its limit, both of the CHG and DSG drivers are turned back on. If the combination option of the timer expiration AND load removal/detection is used, then the load removal/detection condition is only evaluated upon expiration of the recovery timer, which can have an expiration period of  $t_{CD\_REC}$ .

#### 9.3.2.10 Load Detection and Load Removal Detection

The load detection and removal detection features are implemented with the LD pin. When no undervoltage fault and current fault conditions are present, the LD pin is held in an open-drain state. Once any UV, OCD1, OCD2, OCC, or SCD fault occurs and load removal or detection is selected as device of the recovery conditions, a high impedance pulldown path to VSS is enabled on the LD pin. With an external load still present, the LD pin will be externally pulled high: It is internally clamped to  $V_{LDCLAMP}$  and is resistor-limited through  $R_{LD}$  externally to avoid conducting excessive current. If the LD pin voltage exceeds  $V_{LDT}$  for  $t_{LD\_DEG}$ , it is interpreted as a *load present condition* and is one of the recovery mechanisms selectable for an OCC fault. When the load is eventually removed, the internal high-impedance path to VSS is sufficient to pull the LD pin below  $V_{LDT}$  for  $t_{LD\_DEG}$ . This is interpreted as a *load removed condition* and is one of the recovery mechanisms selectable for UV, OCD1, OCD2, and SCD faults.

表 9-4. Load State

LD PIN	LOAD STATE
$\geq V_{LDT}$ for $t_{LD\_DEG}$	Load present
$< V_{LDT}$ for $t_{LD\_DEG}$	Load removed

#### 9.3.2.11 Operation in OTC

An OTC fault is when the temperature increases such that the voltage across an NTC thermistor goes below the OTC voltage threshold,  $V_{OTC}$ , for an OTC delay time,  $t_{OTC\_DELAY}$ . CHG is turned off. The state comparator is turned on when CHG is turned off. If a discharge current is detected, the device immediately switches the CHG back on. The response time of the state comparator is typically in 700  $\mu$ s and does not pose a disturbance in the discharge event. The OTC fault recovers when the voltage across the thermistor goes above the OTC recovery threshold,  $V_{OTC\_REC}$ , for an OTC delay time.

#### 9.3.2.12 Operation in OTD

An OTD fault is when the temperature increases such that the voltage across an NTC thermistor goes below the OTD voltage threshold,  $V_{OTD}$ , for an OTD delay time,  $t_{OTD\_DELAY}$ . CHG and DSG are turned off.

The OTD fault recovers when:

- The voltage across thermistor gets above OTD recovery threshold,  $V_{OTD\_REC}$ , for a time of OTD delay OR
- The voltage across thermistor gets above OTD recovery threshold,  $V_{OTD\_REC}$ , for a time of OTD delay and load is removed.

#### 9.3.2.13 Operation in UTC

A UTC fault occurs when the temperature decreases such that the voltage across an NTC thermistor gets above the UTC voltage threshold,  $V_{UTC}$ , for a time of a UTC delay,  $t_{UTC\_DELAY}$ . CHG is turned off. The state comparator is turned on when CHG is turned off. If a discharge current is detected, the device will immediately switch the CHG back on. The response time of the state comparator is typically in 700  $\mu$ s and not pose a disturbance in the discharge event. The UTC fault recovers when the voltage across thermistor gets below UTC recovery threshold,  $V_{UTC\_REC}$ , for a time of UTC delay.

#### 9.3.2.14 Operation in UTD

A UTD fault occurs when the temperature decreases such that the voltage across an NTC thermistor goes above the UTD voltage threshold,  $V_{UTD}$ , for a UTD delay time,  $t_{UTD\_DELAY}$ . CHG and DSG are turned off. The

UTD fault recovers when the voltage across thermistor gets below UTD recovery threshold,  $V_{UTD\_REC}$ , for a time of UTD delay.

### 9.3.3 Protection Response and Recovery Summary

表 9-5 summarizes how each fault condition affects the state of the DSG and CHG output signals, as well as the recovery conditions required to resume charging and/or discharging. As a rule, the CHG and DSG output drivers are enabled only when no respective fault conditions are present. When multiple simultaneous faults (such as an OV and OTD) are present, all faults must be cleared before the FET can resume operation.

**表 9-5. Fault Condition, State, and Recovery Methods**

FAULT	FAULT TRIGGER CONDITION	CHG	DSG	RECOVERY METHOD	TRIGGER DELAY	RECOVERY DELAY
CTRC disabled	CTRC disabled for deglitch delay time	OFF	—	CTRC must be enabled for deglitch delay time	$t_{CTRDEG\_ON}$	$t_{CTRDEG\_OFF}$
CTRD disabled	CTRD disabled for deglitch delay time	—	OFF	CTRD must be enabled for deglitch delay time		
OV	V(Cell) rises above $V_{OV}$ for delay time	OFF	—	V(Cell) drops below $V_{OV} - V_{HYS\_OV}$ for delay	$t_{OVn\_DELAY}$	
UV	V(Cell) drops below $V_{UV}$ for delay time	—	OFF	DSG FET turned on after Load is removed and V(Cell) rises above $V_{UV} + V_{HYS\_UV}$ for delay.	$t_{UVn\_DELAY}$	
OW	$VC_X - VC_{X-1} < V_{OW}$ for delay time	OFF	OFF	Bad $VC_X$ recovers such that $VC_X - VC_{X-1} > V_{OW} + V_{OW\_HYS}$ for delay	$t_{OWN\_DELAY}$	
OCC	$(VSRP - VSRN) > VOCC$ for delay time	OFF	OFF	Recovery delay expires, OR LD detects $> V_{LDT}$ , OR Recovery delay expires + LD detects $> V_{LDT}$	$t_{OCC\_DELAY}$	$t_{CD\_REC}$
OCD1, OCD2, SCD	$(VSRP - VSRN) < VOCD1$ , $VOCD2$ , or $VSCD$ for delay time	OFF	OFF	Recovery delay expires, OR LD detects $< V_{LDT}$ , OR Recovery delay expires + LD detects $< V_{LDT}$	$t_{OCD1\_DELAY}$ , $t_{OCD2\_DELAY}$ , $t_{SCD\_DELAY}$	$t_{CD\_REC}$
OTC <sup>(1)</sup>	Temperature rises above $T_{OTC}$ for delay time	OFF	—	Temp drops below $T_{OTC} - T_{OTC\_REC}$ for delay	$t_{OTC\_DELAY}$	
OTD <sup>(1)</sup>	Temperature rises above $T_{OTD}$ for delay time	OFF	OFF	Temp drops below $T_{OTD} - T_{OTD\_REC}$ for delay, OR Temp drops below $T_{OTD} - T_{OTD\_REC}$ for delay and Load is removed	$t_{OTD\_DELAY}$	
UTC <sup>(1)</sup>	Temperature drops below $T_{UTC}$ for delay time	OFF	—	Temperature rises above $T_{UTC} + T_{UTC\_REC}$ for delay	$t_{UTC\_DELAY}$	
UTD <sup>(1)</sup>	Temp drops below $T_{UTD}$ for delay time	OFF	OFF	Temp rises above $T_{UTD} + T_{UTD\_REC}$ for delay	$t_{UTD\_DELAY}$	

(1)  $T_{UTC}$ ,  $T_{UTD}$ ,  $T_{UTC\_REC}$ , and  $T_{UTD\_REC}$  correspond to the temperature produced by  $V_{UTC}$ ,  $V_{UTD}$ ,  $V_{UTC\_REC}$ , and  $V_{UTD\_REC}$  of the selected thermistor resistance.

To prevent FET damage, there are times when the CHG FET or DSG FET may be enabled even though a fault event has occurred. See the [State Comparator](#) section for details.

### 9.3.4 Cell Balancing

Cell balancing is performed by comparing the cell voltages with respect to cell balancing threshold voltages, evaluating the results of the comparison and controlling the cell balancing FET, which over a period of time will allow for closer cell voltages, thereby extending battery pack life. The conditions for performing cell balancing are: CBI is connected to VSS, no device in the stack is in a fault condition, and the pack is charging. The [State Comparator](#) section lists the conditions for the device's charging state.

CBI is the cell balancing input pin. It enables cell balancing function for the device.

- Leave the CBI pin floating to disable cell balancing. An internal circuit pulls up the CBI pin to AVDD in this case.
- Connect CBI to VSS to enable cell balancing.

In a single device, cell balancing of all the odd numbered cells can happen at the same time, and balancing of all the even numbered cells can also happen at the same time, but odd and even cells are not balanced at the

same time. When devices are stacked on top of each other, verify in the PCB layout that the trace from VC5 pin to a cell and the trace from the VC0 pin of the next upper device to the immediately higher cell are kept separate.

All cell balancing FETs are turned off during voltage measurements. If odd numbered and even numbered cells need balancing at the same time, one single cycle time  $t_{BAL}$  is dedicated for odd numbered cells alone followed by the next  $t_{BAL}$  dedicated for even numbered cells alone. See an example of adjacent cell balancing in 图 9-1.

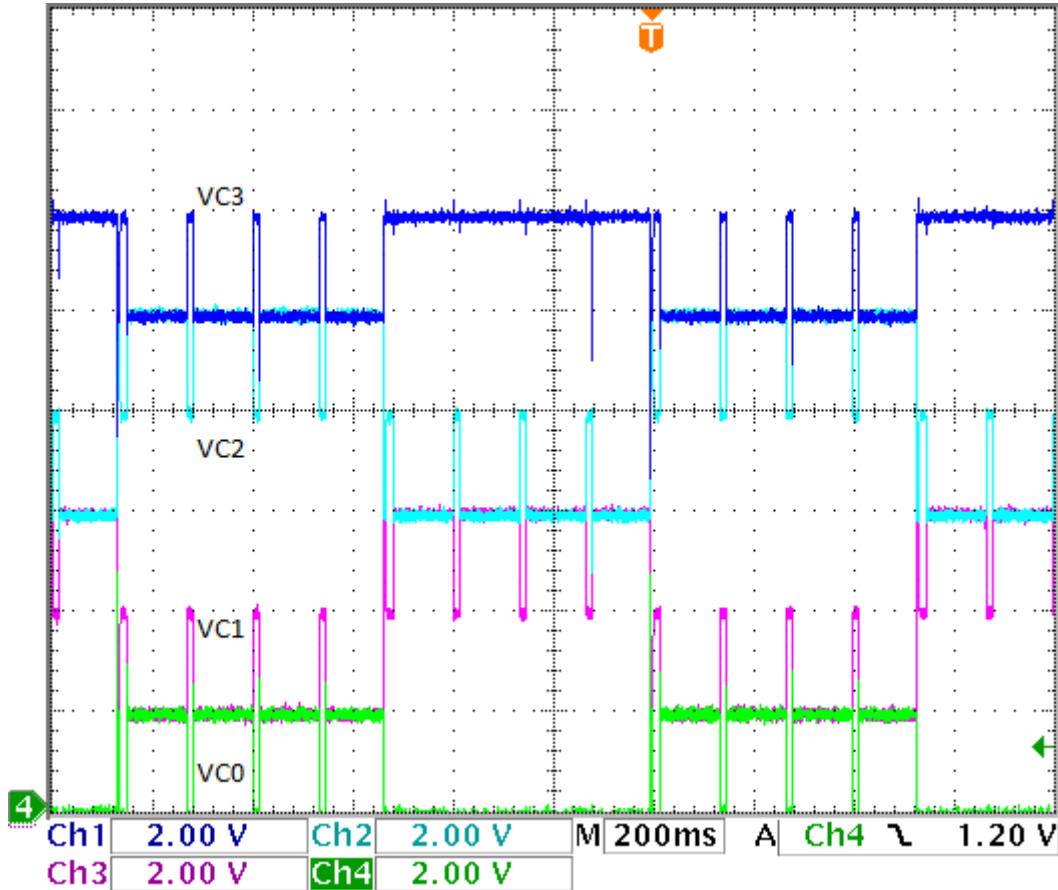


图 9-1. Balancing Cells 1, 2, and 3

In a stacked configuration, the CBO pin of the bottom device must be connected to the CBI pin of the next upper device through a 10-k $\Omega$  resistor and so forth.

When a cell is in OV, its corresponding balancing FET is turned on if CBI is connected to VSS and if there are no discharge faults anywhere in the stack. The balancing FET is ON until the cell voltage drops to  $V_{FC}$  or  $V_{OV} - V_{HYS\_OV}$ , whichever occurs earlier.

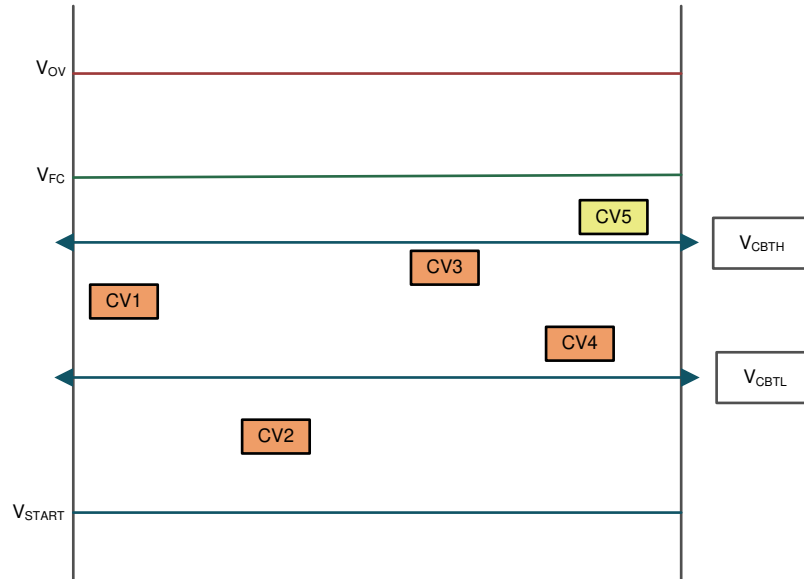


图 9-2. Cell-Balancing Algorithm

$V_{CBTL}$  is the lower cell balancing threshold and  $V_{CBTH}$  is the upper cell balancing threshold. In 图 9-2, the balancing FET is turned on only for the cell CV5. The BQ77915  $V_{START}$  is set at 3.8 V; therefore, cell balancing starts only when individual cell voltages exceed 3.8 V. The difference between  $V_{CBTH}$  and  $V_{CBTL}$  can be programmed in the EEPROM to be between 50 mV and 200 mV, in steps of 50 mV. The difference between the  $V_{OV}$  and  $V_{FC}$  can also be programmed in the EEPROM to be between 50 mV and 200 mV, in steps of 50 mV.

When using the integrated MOSFETs for cell balancing, the cell monitor filter resistance  $R_{INI}$  controls the amount of cell balancing current the device can supply to the cells. Internal cell balancing should be used for cell balancing currents up to 50 mA. External MOSFETs have to be used if higher cell balancing currents are required. In the case of external balancing, the balancing current is controlled by the resistor  $R_{CB}$  in series with the external MOSFET, as shown in 图 9-3. The pin filter resistance  $R_{INE}$  should be 1 k $\Omega$  and the capacitance  $C_{INE}$  should be 0.1  $\mu$ F. The gate bias voltage necessary to turn on the FET connected to Cell(n) is generated by the resistor  $R_{INE}$  connected to the  $VC_{(n-1)}$  pin. The external MOSFET must be selected with a threshold voltage less than 1.7 V.

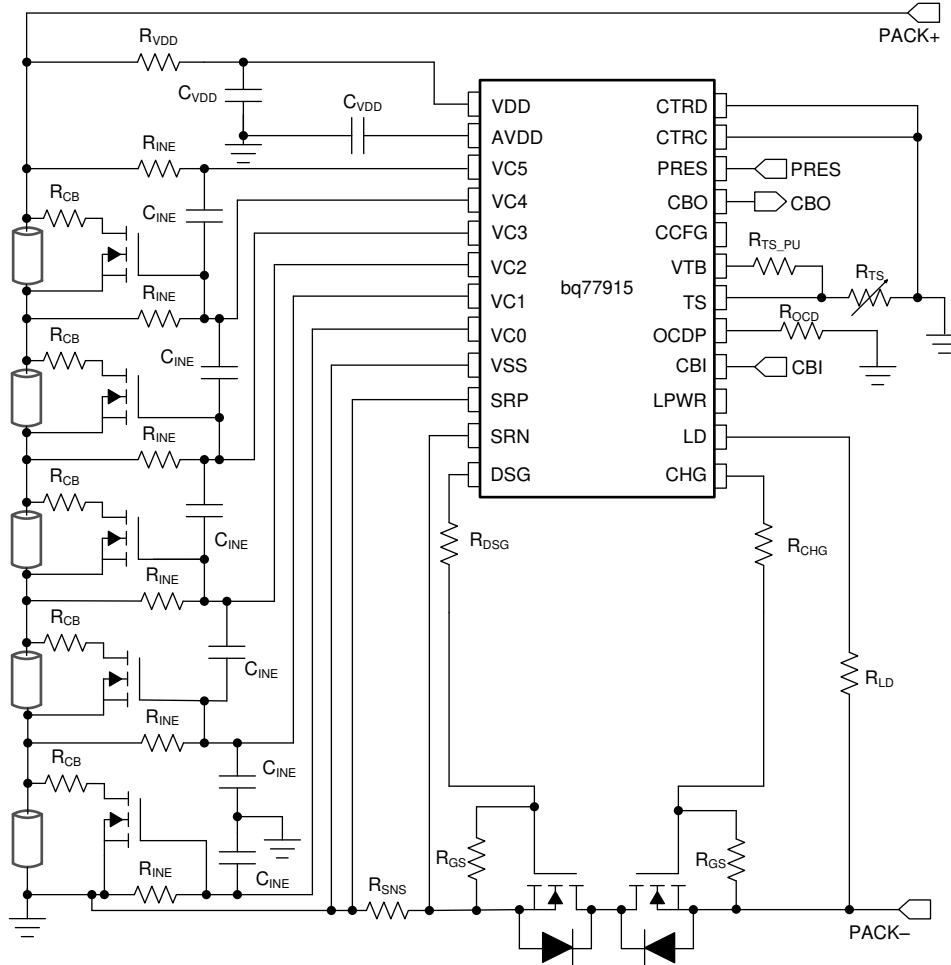


图 9-3. Cell Balancing with External MOSFETs

### 9.3.5 HIBERNATE Mode Operation

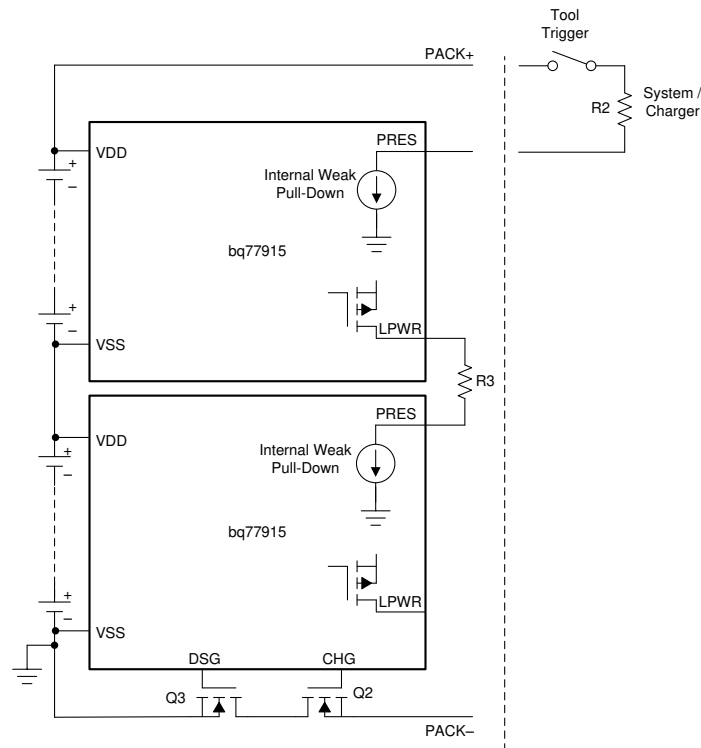


图 9-4. HIBERNATE Mode Simplified Schematic 1

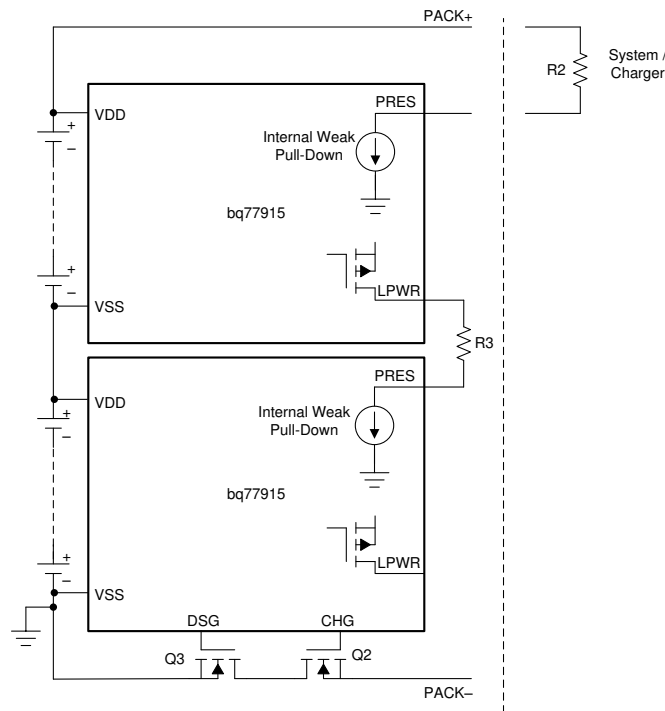


图 9-5. HIBERNATE Mode Simplified Schematic 2

The BQ77915 device has two dedicated pins (PRES and LPWR) for HIBERNATE mode operation. Most of the internal circuitry is turned off in HIBERNATE mode to save power. Charge and discharge FETs are turned off and all fault protections are disabled.

The PRES pin has an internal pulldown connected to the pin, which pulls PRES low. When the PRES pin is left floating (the system or charger is not connected to the pack), the load is not connected, and the device is not in any fault condition, the device enters HIBERNATE mode after  $t_{PRES\_DEG\_ENT}$  time. Once in HIBERNATE mode, the system or the charger should drive this pin high ( $>V_{PRESH}$ ) through the resistor R2 for NORMAL mode operation. When the battery pack (in HIBERNATE mode) is inserted to the tool/system or when a charger is connected to the pack, the system has to provide a pull-up to the PRES pin, which puts the device back to NORMAL mode. The device will exit HIBERNATE mode after a  $t_{PRES\_DEG\_EXT}$  deglitch time.

In a stacked configuration, connect the LPWR pin of an upper device to the PRES pin of a lower device through the resistor R3.

### 9.3.6 Configuration CRC Check and Comparator Built-In-Self-Test

To improve reliability, the device has a built-in CRC check for all the factory-programmable configurations, such as the thresholds and delay time settings. When the device is set up in the factory, a corresponding CRC value is also programmed to the memory. During normal operation, the device compares the configuration setting against the programmed CRC periodically. A CRC error will reset the digital circuitry and increment the CRC fault counter. The digital reset forces the device to reload the configuration as an attempt to correct the configurations. A correct CRC check reduces the CRC fault counter. Three CRC fault counts will turn off both the CHG and DSG drivers. If FETs are opened due to a CRC error, only a POR can recover the FET state and reset the CRC fault.

In addition to the CRC check, the device also has built-in-self-test (BIST) on the comparators. The BIST runs in a scheduler, and each comparator is checked for a period of time. If a fault is detected for the entire check period, the particular comparator is considered at fault, and the CHG and DSG FETs are turned off. The BIST continues to run by the scheduler even if a BIST fault is detected. If the next BIST result is good, the FET driver resumes normal operation.

The CRC check and BIST check do not affect the normal operation of the device. However, there is not specific indication when a CRC or BIST error is detected besides turning off the CHG and DSG drivers. If there is no voltage, current, or temperature fault condition present, but CHG and DSG drivers remain off, it is possible either CRC or BIST error is detected. Users can POR the device to reset the device.

### 9.3.7 Fault Detection Method

#### 9.3.7.1 Filtered Fault Detection

The device detects a fault once the applicable fault is triggered after accumulating sufficient trigger sample counts. The filtering scheme is based on a simple add/subtract. Starting with the triggered sample count cleared, the counts go up for a sample that is taken across the tested condition (for example, above the fault threshold when looking for a fault) and the counts go down for a sample that is taken before the tested condition (that is, below the fault threshold). [图 9-6](#) shows an example of a signal that triggers a fault when accumulating five counts above the fault threshold. Once a fault has been triggered, the trigger sample counts reset.

---

#### 备注

With a filtered detection, when the input signal falls below the fault threshold, the sample count does not reset but only counts down, as shown in [图 9-6](#). Therefore, it is normal to observe a longer delay time if a signal is right at the detection threshold. The noise can push the delay count to be counting up and down, resulting in a longer time for the delay counter to reach its final accumulated trigger target.

---

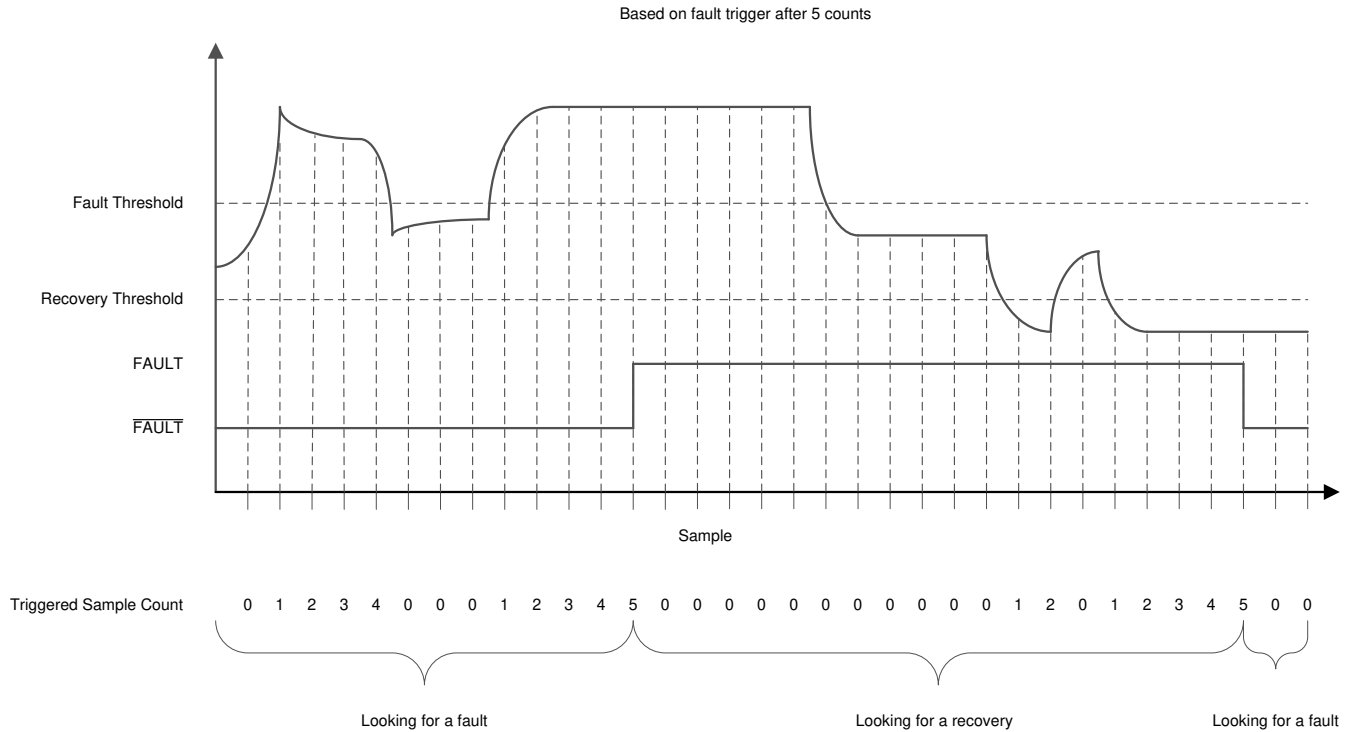


图 9-6. Filtered Fault Detection

### 9.3.8 State Comparator

A small, low-offset analog state comparator monitors the sense resistor voltage (SRP - SRN) to determine when the pack is in a DISCHARGE state less than a minimum threshold,  $V_{STATE\_D}$ , or a CHARGE state greater than a maximum threshold,  $V_{STATE\_C}$ . The state comparator turns on the CHG FET to prevent damage or overheating during discharge in fault states that call for having only the CHG FET off. This is vice versa for the DSG FET during charging in fault that call for having only the DSG FET off. Also, the state comparator is turned on in NORMAL mode (CHG and DSG FETs on) during cell balancing so that cell balancing is performed only when the pack is charging.

表 9-6 summarizes when the state comparator is operational. The state comparator is on only during faults detected that call for only one FET to be turned off, and in NORMAL mode during cell balancing so that cell balancing is performed only when the pack is charging.

表 9-6. State Comparator Operation Summary in Fault Conditions

MODE	CHG	DSG	STATE COMP
NORMAL mode, no cell balancing	ON	ON	OFF
NORMAL mode, cell balancing	ON	ON	$V_{STATE\_C}$ detection
UV, CTRD	ON	OFF	$V_{STATE\_C}$ detection
OV, UTC, OTC, CTRC	OFF	ON	$V_{STATE\_D}$ detection
OCD1, OCD2, SCD, OCC, UTD, OTD, OW	OFF	OFF	OFF



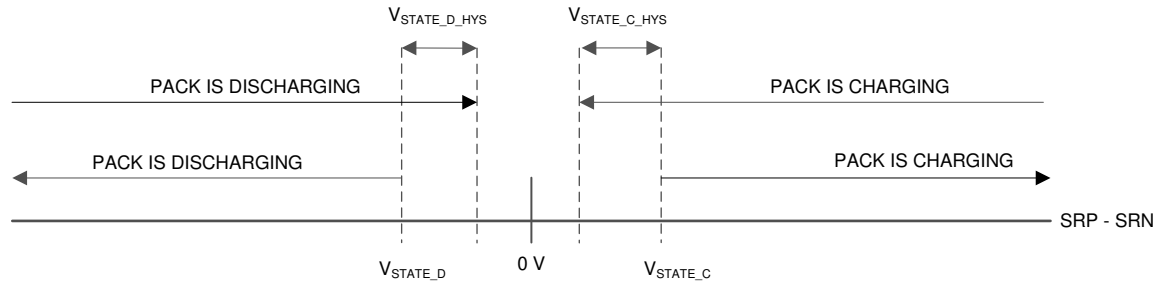


图 9-7. State Comparator Thresholds

Any time a CHG fault is present and a DSG fault is not present, the device enables the state comparator. If the pack is in a fault state where charging is prohibited but discharging is permitted (OV, OTC, UTC, and CTRC), a discharge is possible. When this happens, the CHG FET driver is turned on to avoid damage, as it otherwise carries the discharge current through its body diode. The state comparator (with the  $V_{STATE\_D}$  threshold and  $V_{STATE\_D\_HYS}$  hysteresis) remains on for the entire duration of a CHG fault with no DSG fault event.

If there is a DSG fault under CTRD conditions, the DSG FET is turned on if charge is detected. The state comparator (with  $V_{STATE\_C}$  threshold and  $V_{STATE\_C\_HYS}$  hysteresis) remains on for the entire duration of a DSG fault with no CHG fault event.

### 9.3.9 DSG FET Driver Operation

The DSG pin is driven high only when no related faults (UV, OW, OTD, UTD, OCD1, OCD2, SCD, OCC, and CTRD disabled) are present and the device is not in HIBERNATE mode of operation. It is a fast switching driver with a target on resistance of about  $15\ \Omega - 20\ \Omega$  and an off resistance of  $R_{DSG\_OFF}$ . It is designed to enable customers to select the optimized  $R_{GS}$  value to archive the desirable FET rise and fall time per the application requirement and the choice of FET characteristics. When the DSG FET is turned off, the DSG pin drives low and all discharge overcurrent protections (OCD1, OCD2, SCD) are disabled to better conserve power. These resume operation when the DSG FET is turned on. The device provides FET body diode protection through the state comparator if one FET driver is on and the other FET driver is off.

The DSG driver may be turned on to prevent FET damage if the battery pack is charging while a discharge inhibit fault condition is present. This is done by the state comparator. The state comparator (with  $V_{STATE\_C}$  threshold and  $V_{STATE\_C\_HYS}$  hysteresis) remains on for the entire duration of a DSG fault with no CHG fault event.

- If  $(SRP - SRN) \leq (V_{STATE\_C} - V_{STATE\_C\_HYS})$  and no charge event is detected, the DSG FET output will remain OFF due to the presence of a DSG fault.
- If  $(SRP - SRN) > V_{STATE\_C}$  and a charge event is detected, the DSG FET output will turn ON for body diode protection.

See [State Comparator](#) for details.

The presence of any related faults, as shown in [图 9-8](#), results in the DSGFET\_OFF signal.

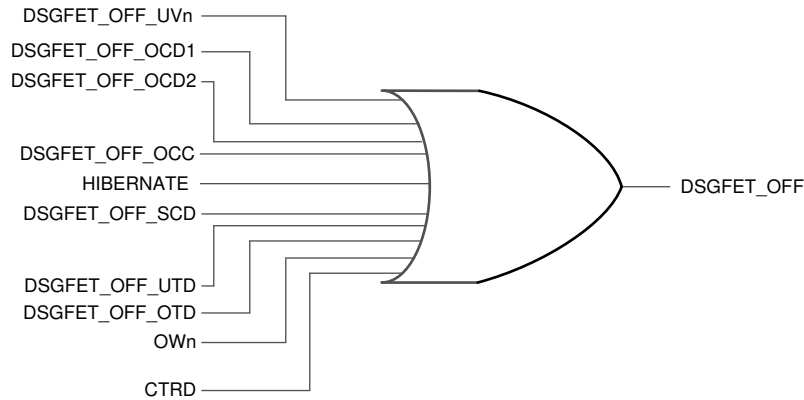


图 9-8. Faults that Can Qualify DSGFET\_OFF

### 9.3.10 CHG FET Driver Operation

The CHG pin is driven high only when no related faults (OV, OW, OTC, UTC, OTD, UTD, OCD1, OCD2, SCD, OCC, and CTRC disabled) are present and the pack is not in HIBERNATE mode of operation. The CHG pin is used to drive the CHG FET, which is designed to be used on the single device configuration or used by the bottom device in a stack configuration.

Turning off the CHG pin has no influence on the overcurrent protection circuitry. The CHG pin is designed to turn on very quickly; the internal on resistance is about 2 k $\Omega$ . The CHG FET turn off relies on the external resistor connected in parallel to the gate-source nodes of the NCH power FET.

The CHG FET may be turned on to protect the FET's body diode if the pack is charging, even if a charging inhibit fault condition is present. This is done through the state comparator. The state comparator (with  $V_{STATE\_D}$  threshold and  $V_{STATE\_D\_HYS}$  hysteresis) remains on for the entire duration of a DSG fault with no CHG fault event.

- If  $(SRP - SRN) > (V_{STATE\_D} + V_{STATE\_D\_HYS})$  and no discharge event is detected, the CHG FET output will remain OFF due to the presence of a CHG fault.
- If  $(SRP - SRN) \leq V_{STATE\_D}$  and a discharge event is detected, the CHG FET output will turn ON for body diode protection.

The CHGFET\_OFF signal is a result of the presence of any related faults as shown in 图 9-9.

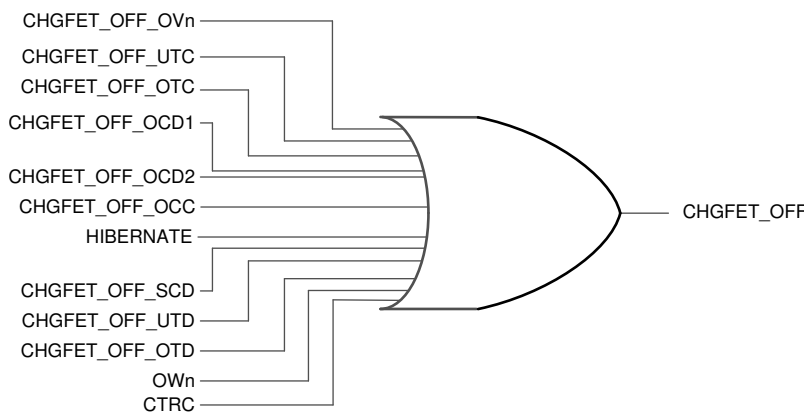


图 9-9. Faults that Can Qualify CHGFET OFF

### 9.3.11 External Override of CHG and DSG Drivers

The device allows direct disabling of the CHG and DSG drivers through the CTRC and CTRD pins, respectively. 图 9-10 shows the operation of the CTRC and CTRD pins. To support the simple-stack solution for higher-cell count packs, these pins are designed to operate above the device's  $V_{DD}$  level. Connect a 10-M $\Omega$  resistor

between a lower device CTRC and CTRD input pins to an upper device's CHG and DSG output pins (see the schematics in 节 9.3.13).

CTRC only enables or disables the CHG pin, while CTRD only enables or disables the DSG pin. When the CTRx pin is in the DISABLED region, the respective FET pin is off, regardless of the state of the protection circuitry. When the CTRx pin is in either ENABLED region, the protection circuitry determines the state of the FET driver.

### 备注

In any event where CTRC is disabled, CTRD is enabled, no DSG FET related faults are present, and  $(SRP - SRN) < V_{STATE\_D}$ , the CHG output pin is held high regardless. In any event where CTRD is disabled, CTRC is enabled, no charge FET related faults present, and  $(SRP - SRN) > V_{STATE\_C}$ , the DSG output pin is held high regardless.

Both CTRx pins apply the fault-detection filtered method to improve the robustness of the signal detection. The counter counts up if an ENABLED signal is sampled; the counter counts down if a DISABLED signal is sampled. When the counter counts up from 0% to > 70% of its full range, which takes about 7-ms typical of a solid signal, the CTRx pins take the signal as ENABLED. If the counter counts down from 100% to < 30% of its full range, which takes about 7-ms typical of a solid signal, the CTRx pins take the signal as DISABLED. From a 0 count counter (solid DISABLE), a solid ENABLE signal takes about  $t_{CTRDEG\_ON}$  time to deglitch. From a 100% count (solid ENABLE), a solid DISABLE signal takes about  $t_{CTRDEG\_OFF}$  time to deglitch. Although such a filter scheme provides a certain level of noise tolerance, it is highly recommended to shield the CTRx traces and keep the traces as short as possible in the PCB layout design. The CTRx deglitch time will add onto the FET response timing on OV, UV, and OW faults in a stack configuration. The  $t_{CTRDEG\_OFF}$  time adds an additional delay to the fault detection timing and the  $t_{CTRDEG\_ON}$  time adds an additional delay to the fault recovery timing.

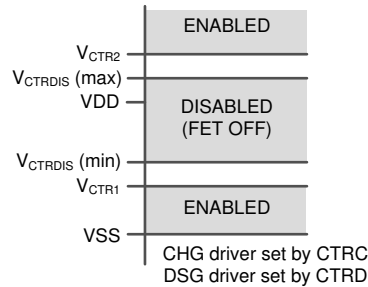


图 9-10. CTRC, CTRD Voltage Levels

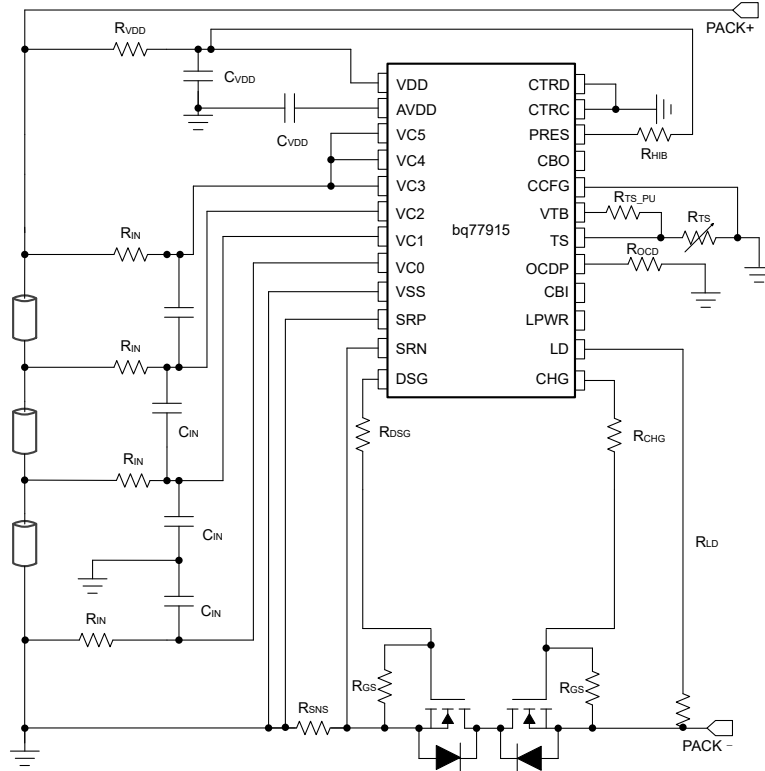
### 9.3.12 Configuring 3-Series, 4-Series, or 5-Series Modes

The BQ77915 device supports 3-series, 4-series, or 5-series packs. To avoid accidentally detecting a UV fault on unused (shorted) cell inputs, the device must be configured for the specific cell count of the pack. This is set with the configuration pin, CCFG, which is mapped as shown in 表 9-7. The device periodically checks the CCFG status and takes  $t_{CCFG\_DEG}$  time to detect the pin status.

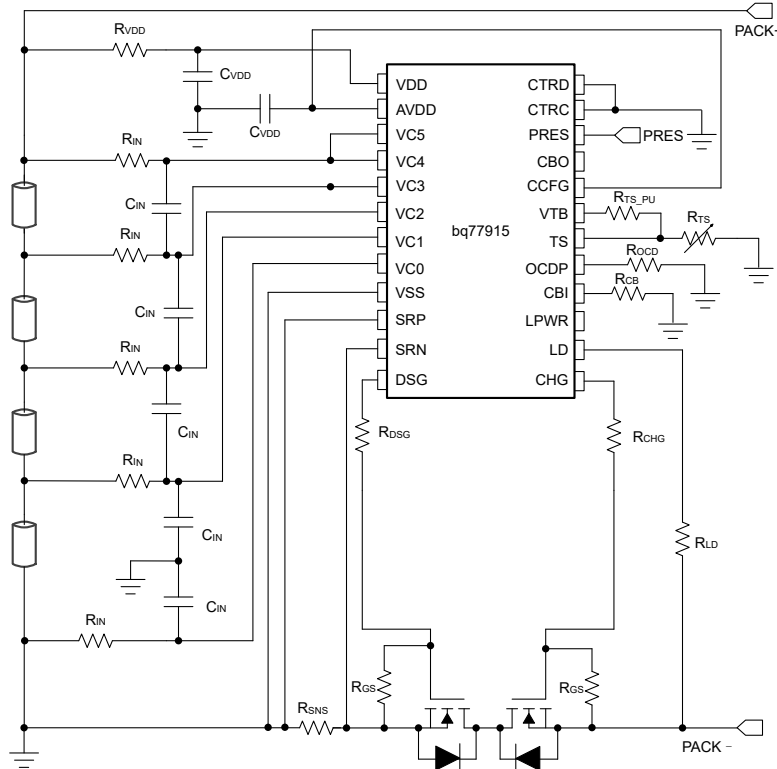
表 9-7. CCFG Configurations

CCFG	CONFIGURATION	CONNECT TO
$< V_{CCFGL}$ for $t_{CCFG\_DEG}$	3 cells	VSS
Within $V_{CCFGM}$ for $t_{CCFG\_DEG}$	4 cells	AVDD
$> V_{CCFGH}$ for $t_{CCFG\_DEG}$	5 cells	Floating

The CCFG pin should be tied to the recommended net from 表 9-7. The device compares the CCFG input voltage to the AVDD voltage and should never be set above the AVDD voltage. When the device configuration is for 5 series, leave the CCFG pin floating. The internal pin bias is approximately 33% of the AVDD voltage for 5-series configuration.



**图 9-11. 3-Series Configuration with Cell Balancing and HIBERNATE Mode Disabled**



**图 9-12. 4-Series Configuration with Internal Cell Balancing and HIBERNATE Mode Enabled**

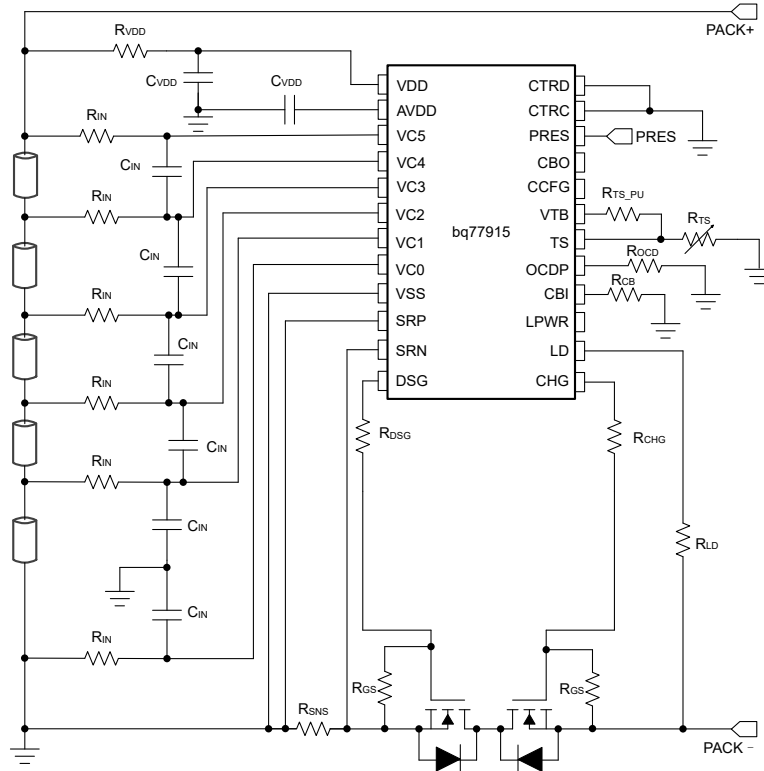


图 9-13. 5-Series Configuration with Internal Cell Balancing and HIBERNATE Mode Enabled

### 9.3.13 Stacking Implementations

To support higher than 5-series cell packs, daisy-chain multiple devices. Each device has OV, UV, OW, OTC, OTD, UTC, and UTD protections of its directly monitored cells, while any fault conditions disable the global CHG and/or DSG FET driver automatically.

#### 备注

Upper devices do not provide OCC, OCD1, OCD2, or SCD protections, as these are based on pack current. For the BQ77915 device used on the upper stack, short the SRP and SRN pins to prevent false detection.

To configure higher-cell packs, follow this procedure:

- Connect each device on at least each of its three lowest cell input pins.
- Connect a higher cell count to the upper devices (for example, for a 7-series configuration, connect four cells on the upper device and three cells on the bottom device). This provides a stronger CTRx signal to the bottom device.
- Verify each device's CCFG pin is configured appropriately for its specific number of cells (that is, three, four, or five cells).
- Connect the upper CHG pins with an RCTR<sub>x</sub> to the immediate lower device CTCR pin.
- Connect the upper DSG pins with an RCTR<sub>x</sub> to the immediate lower device CTRD pin.
- All upper devices should have their SRP and SRN pins shorted to their VSS pins.
- Connect the upper CBI pins with an R<sub>CB</sub> to the immediate lower device CBO pin.
- Connect the upper LPWR pins with an R<sub>HIB</sub> to the immediate lower device PRES pin.
- Connect the upper OCDP pins with a 10-MΩ resistor to VSS. Use the lower OCDP pin to program the OCD1/2 delay.

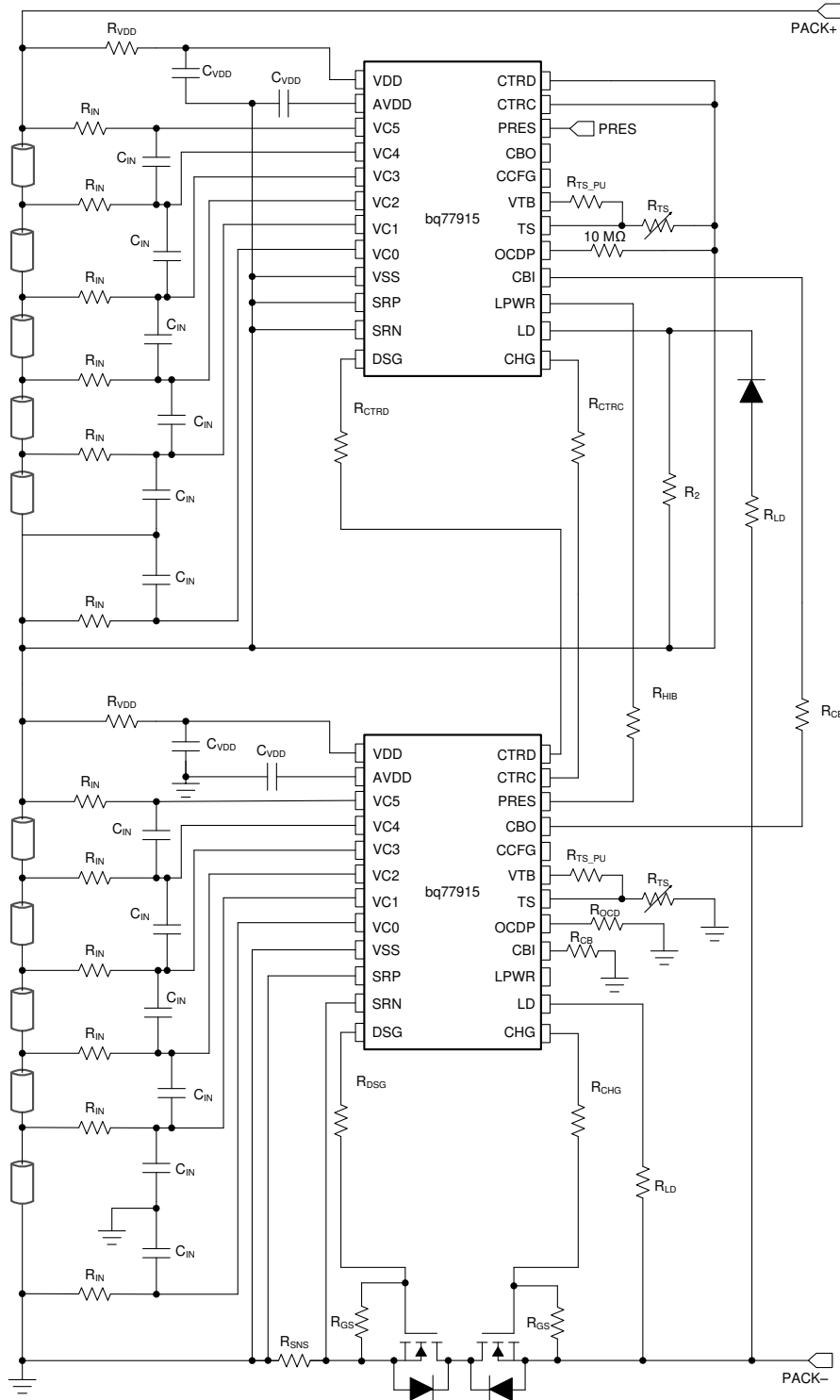


图 9-14. 10-Series Configuration with Internal Cell Balancing and HIBERNATE Mode Enabled

### 9.3.14 Zero-Volt Battery Charging Inhibition

Once the device is powered up, it can pull the CHG pin up if the  $V_{DD} \geq V_{SHUT}$ , which varies from about 1 V per cell on a 3-series configuration to about 0.6 V per cell on a 5-series configuration. If the battery stack voltage falls below  $V_{SHUT}$ , the device is in SHUTDOWN mode and the CHG driver is no longer active and charging is not allowed unless  $V_{DD}$  rises above  $V_{POR}$  again.

## 9.4 Device Functional Modes

### 9.4.1 Power Modes

#### 9.4.1.1 Power On Reset (POR)

The device powers up when  $V_{DD} \geq V_{POR}$ . At POR, the following events occur:

- A typical of 5-ms hold-off delay applies to both CHG and DSG drivers, keeping both drivers in the OFF state. This is to provide time for the internal LDO voltage to ramp up.
- The CTRC and CTRD deglitch occurs. During the deglitch time, the CHG and DSG driver remains off. Note that the deglitch time masks out the 5-ms hold-off delay.
- The device assumes an OV fault at POR; thus, the CHG driver is off for OV recovery time if all the cell voltages are  $< (V_{OV} - V_{HYS\_OV})$ . The OV recovery time starts after the 5-ms hold-off delay. If device reset occurs when any cell voltage is above the OV hysteresis range, the CHG driver will remain off until an OV recovery condition is met.

#### 9.4.1.2 NORMAL Mode

This is the normal operation mode. All configured protections are active, no fault is detected, and both CHG and DSG drivers are enabled. HIBERNATE mode is deactivated. While the device is in NORMAL mode, cell balancing occurs if all the necessary conditions for balancing are valid. Refer to the [Cell Balancing](#) section for details.

#### 9.4.1.3 FAULT Mode

If any configured protection fault is detected, the device enters the FAULT mode. In this mode, the CHG and/or DSG driver can be turned off depending on the fault. Refer to [Fault Condition, State, and Recovery Methods](#) for details. When one of the FET drivers (either CHG or DSG) is turned off, while the other FET driver is still on, the state comparator is activated for FET body diode protection.

#### 9.4.1.4 HIBERNATE Mode

If the PRES pin is left floating, the device enters HIBERNATE mode operation. In this mode, all fault detection and cell balancing is deactivated and the CHG and DSG drivers are turned off to reduce power consumption to ultra-low levels. This mode of operation is recommended when the battery packs are in shipping or storage. The device can be brought back to NORMAL mode by driving PRES high.

#### 9.4.1.5 SHUTDOWN Mode

This is the lowest power consumption state of the device when VDD falls below  $V_{SHUT}$ . In this mode, all fault detections, CHG and DSG drivers are disabled. The device will wake up and enter NORMAL mode when VDD rises above  $V_{POR}$ .

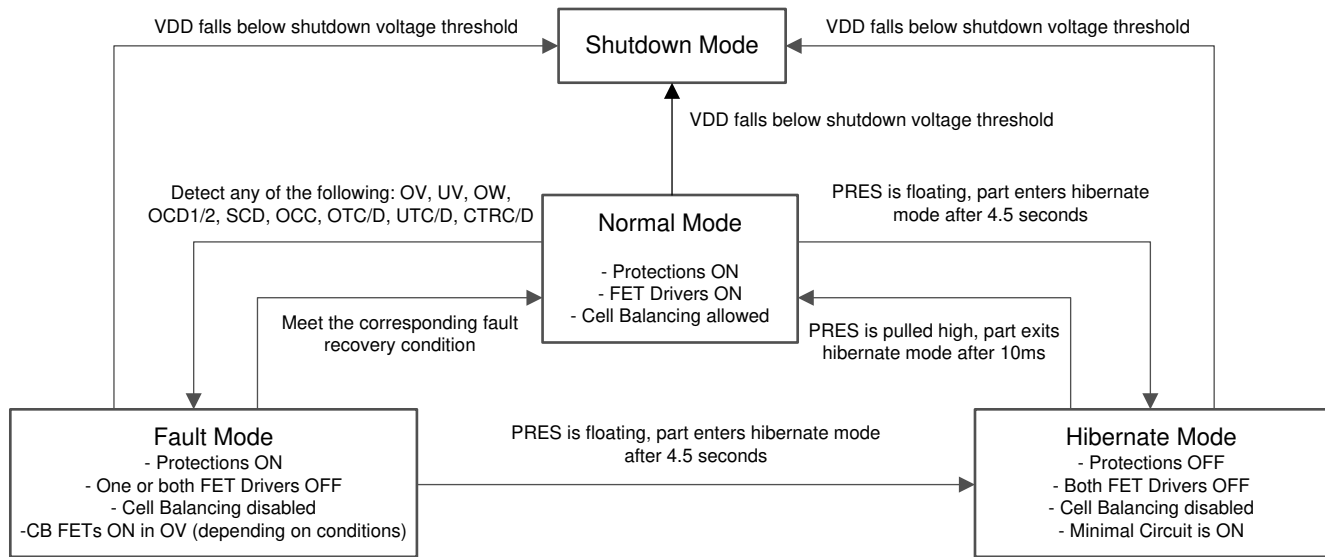


图 9-15. Various Operational Modes

#### 9.4.1.6 Customer Fast Production Test Modes

The BQ77915 device supports the ability to greatly reduce production test time by cutting down on protection fault delay times. To shorten fault times, place the BQ77915 device into Customer Test Mode (CTM). CTM is triggered by raising VDD to  $V_{CTM}$  voltage above the highest cell input pin (that is, VC5) for  $t_{CTM\_ENTRY}$  time.

The CTM is expected to be used in single-chip designs only. CTM is not supported for stacked designs. Once the device is in CTM, all fault delays and non-current fault's recovery delay times reduce to a value of  $t_{CTM\_DELAY}$ . The fault recovery time for overcurrent faults (OCD1, OCD2, OCC, and SCD) is reduced to  $t_{CTM\_OC\_REC}$ .

Verification of protection fault functionality can be accomplished in a reduced timeframe in CTM. Reducing the VDD voltage to the same voltage applied to the highest-cell input pin for  $t_{CTM\_ENTRY}$  will exit CTM.

In CTM, with reduced time for all internal delays, qualification of all faults will be reduced to a single instance. Thus, in this mode, fault-condition qualification is more susceptible to transients, so take care to have fault conditions clearly and cleanly applied during test mode to avoid false triggering of fault conditions during CTM.



## 10 Application and Implementation

### 备注

Information in the following applications sections is not device of the TI component specification, and TI does not warrant its accuracy or completeness. TI's customers are responsible for determining suitability of components for their purposes. Customers should validate and test their design implementation to confirm system functionality.

### 10.1 Application Information

The BQ77915 device is a low power stackable battery pack protector with integrated low-side NMOS FET drivers. The device protects and recovers without MCU control. The following sections highlight implementations for the BQ77915 device.

#### 10.1.1 Recommended System Implementation

##### 10.1.1.1 CHG and DSG FET Rise and Fall Time

The CHG and DSG FET drivers are designed to have fast switching time. Customers should select a proper gate resistor ( $R_{CHG}$  and  $R_{DSG}$  in the reference schematic) to set to the desired rise/fall time.

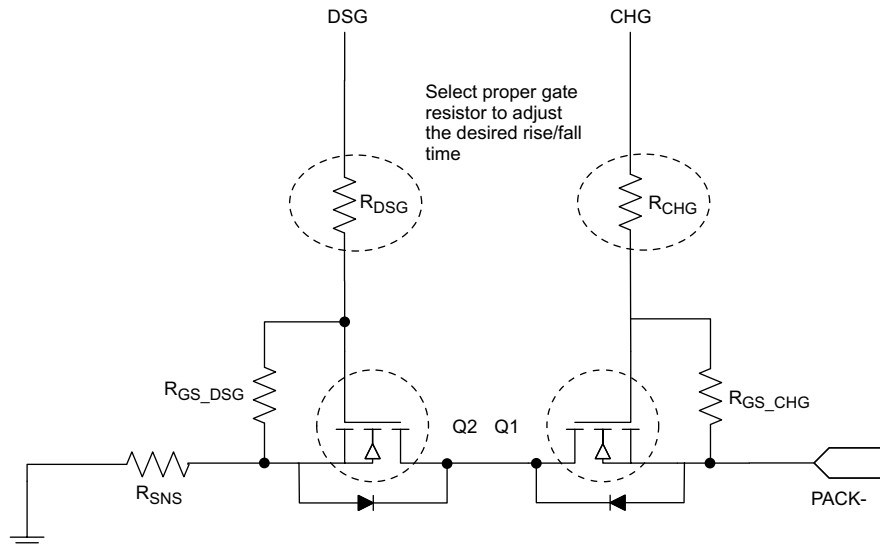


图 10-1. Select Proper Gate Resistor for FET Rise and Fall Time

The CHG FET fall time is generally slower because it is connected to the PACK - terminal. The CHG driver will pull to  $V_{SS}$  quickly when the driver is signaled to turn off. Once the gate of the CHG FET reaches ground or  $V_{gsth}$ , the PACK - will start to fall below ground, the CHG signal will follow suit in order to turn off the CHG FET. This portion of the fall time is strongly dependent on the FET characteristic, the number of FETs in parallel, and the value of the gate-source resistor ( $R_{GS\_CHG}$ ).

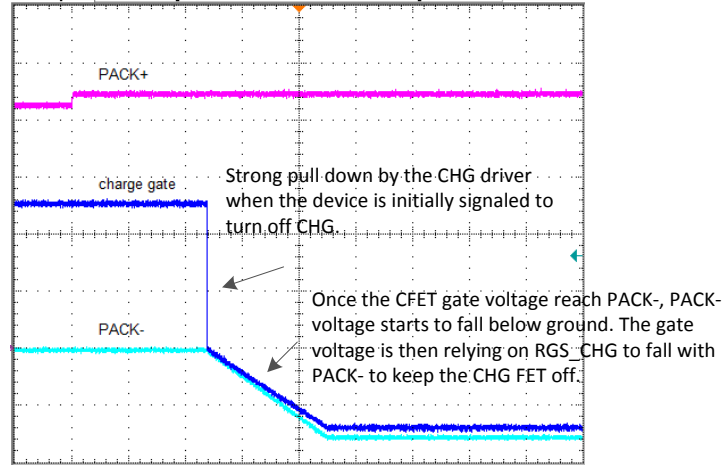


图 10-2. CHG FET Fall Time

**10.1.1.2 Protecting CHG and LD**

Because both CHG and LD are connected to PACK - terminal, these pins are specially designed to sustain an absolute max of - 30 V. The device can be used in a wide variety of applications, and it is possible to expose the pins lower than - 30-V absolute max rating.

To protect the pins, TI recommends to put a PMOS FET in series of the CHG pin, and a diode in series of the LD pin, as shown below.

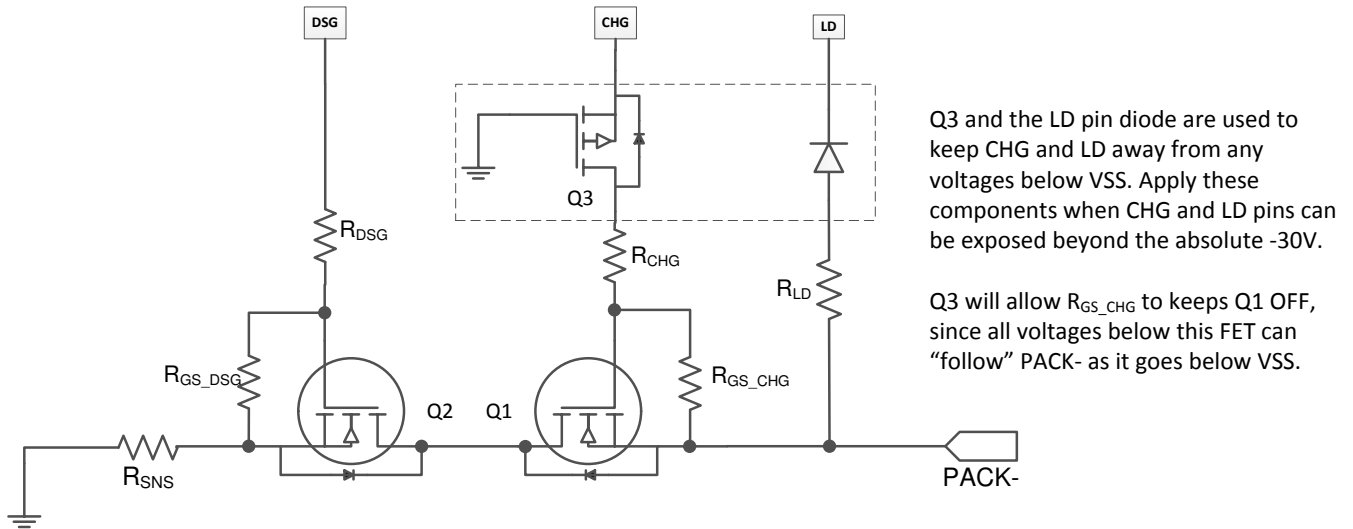


图 10-3. Protecting the CHG and LD Pins Below Absolute Minimum

**10.1.1.3 Protecting the CHG FET**

When the CHG driver is off, CHG is pulled to  $V_{SS}$ , the PACK - terminal can be pulled up to the PACK+ level when a load is connected. This can put the gate-source voltage above the absolute max of the MOSFET rating. Thus, it is common to place a Zener diode across the CHG FET’s gate source to protect the CHG FET. Additional components are added when a Zener is used to limit current going into the CHG pin, as well as reducing the impact on rise time. See 图 10-4 for details.

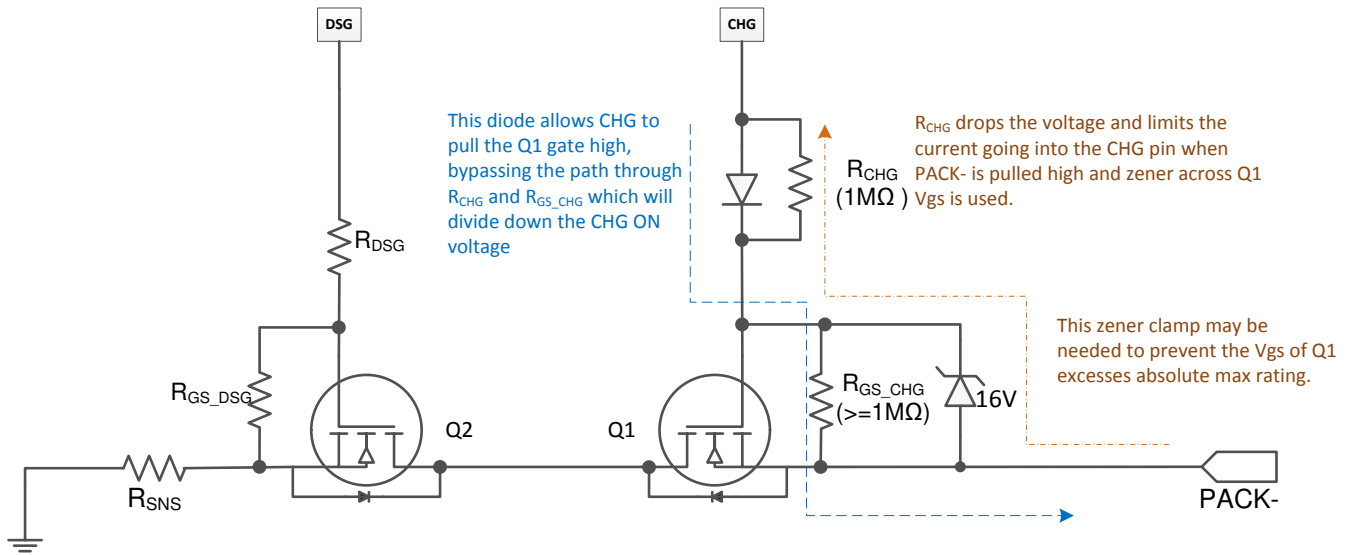


图 10-4. Protecting the CHG FET from High Voltage on PACK -

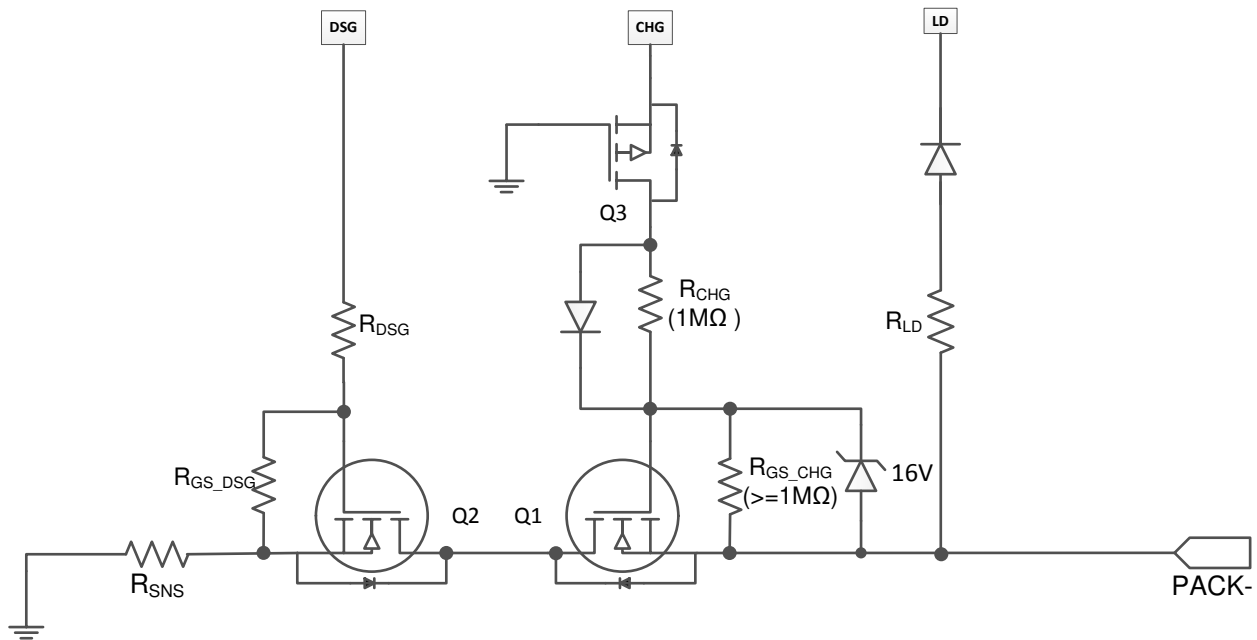
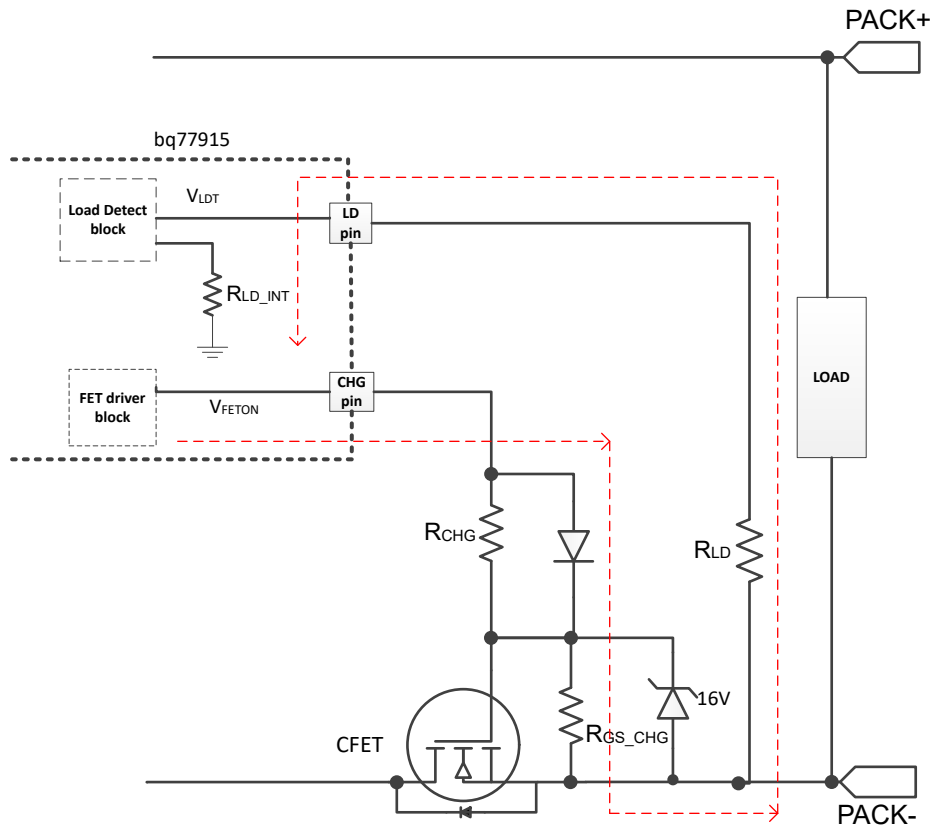


图 10-5. Optional Components Combining and Protections

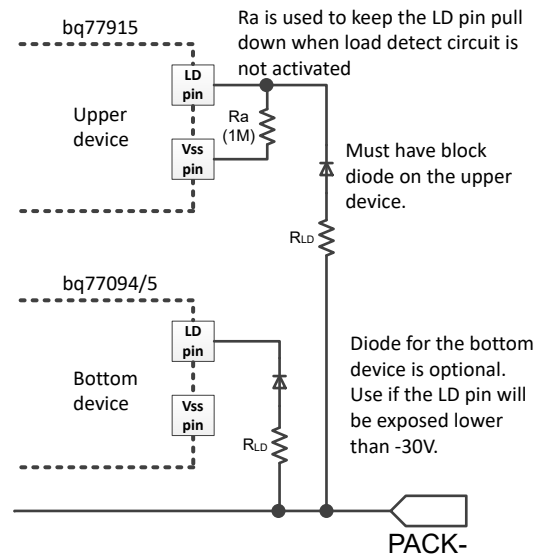
#### 10.1.1.4 Using Load Detect for UV Fault Recovery

A larger CHG FET gate-source resistor is required if load removal is enabled as a device of the UV recovery criteria. When the load removal circuit is enabled, the device is internally connected to  $V_{SS}$ . Because in a UV fault, the CHG driver remains on, it creates a resistor divider path to the load detect circuit.



**图 10-6. Load Detect Circuit During UV Fault**

To verify load removal is detected properly during a UV fault, use  $3.3\text{ M}\Omega$  for  $R_{GS\_CHG}$  (instead of a typical  $1\text{ M}\Omega$  when load removal is not required for UV recovery).  $R_{CHG}$  can stay in  $1\text{ M}\Omega$  as recommended when using CHG FET protection components. The CHG FET rise time impact is minimized, as described in [Protecting the CHG FET](#). On a stacked configuration, connect the LD pin as shown in [图 10-7](#) if load removal is used for a UV fault recovery. If load detection is not required for a UV fault recovery, a larger value of  $R_{GS\_CHG}$  can be used (that is,  $10\text{ M}\Omega$ ), and the LD pin on the upper devices can be left floating.



**图 10-7. Simplified Circuit: LD Connection on Upper Device When Using for UV Fault Recovery**

#### 10.1.1.5 Temperature Protection

The device detects temperature by checking the voltage divided by  $R_{TS\_PU}$  and  $R_{TS}$ , with the assumption of using  $10\text{ K}\Omega$   $R_{TS\_PU}$  and 103AT NTC for  $R_{TS}$ . System designers should always check the thermistor resistance characteristic and refer to the temperature protection threshold specification in the *Electrical Characteristics* table to determine if a different pull up resistor should be used. If a different temperature trip point is required, it is possible to scale the threshold using this equation: Temperature Protection Threshold =  $R_{TS}/(R_{TS} + R_{TS\_PU})$ .

**Example:** Scale OTC trip points from  $50^\circ\text{C}$  to  $55^\circ\text{C}$

The OTC protection can be set to  $45^\circ\text{C}$  or  $50^\circ\text{C}$ . When the device's OTC threshold is set to  $50^\circ\text{C}$ , it is referred to configure the  $V_{OTC}$  parameter to 29.38% of  $V_{TB}$  (typical), with the assumption of  $R_{TS\_PU} = 10\text{ K}\Omega$  and  $R_{TS} = 103\text{AT}$  or similar NTC (which the NTC resistance at  $50^\circ\text{C} = 4.16\text{K}\Omega$ ). The  $V_{OTC}$  specification is the resistor divider ratio of  $R_{TS\_PU}$  and  $R_{TS}$ .

The  $V_{OTC}$ ,  $V_{OTD}$ ,  $V_{UTC}$ , and  $V_{UTD}$  configuration options are fixed in the device. Hence, the actual temperature trip point can only adjust by using a different B-value NTC and/or using a different  $R_{TS\_PU}$ .

In this example, the 103AT NTC resistance at  $55^\circ\text{C}$  is  $3.536\text{ K}\Omega$ . By changing the  $R_{TS\_PU}$  from  $10\text{ K}\Omega$  to  $8.5\text{ K}\Omega$ , we can scale the actual OTC temperature trip point from  $50^\circ\text{C}$  to  $55^\circ\text{C}$ . Because the  $R_{TS\_PU}$  value is smaller, this change affects all the other temperature trip points and scales OTD, UTC, and UTD with the largest impact to OTD.

#### 10.1.1.6 Adding RC Filters to the Sense Resistor

Current fault is sensed through voltage across sense resistor. Optional RC filters can be added to the sense resistor to improve stability.

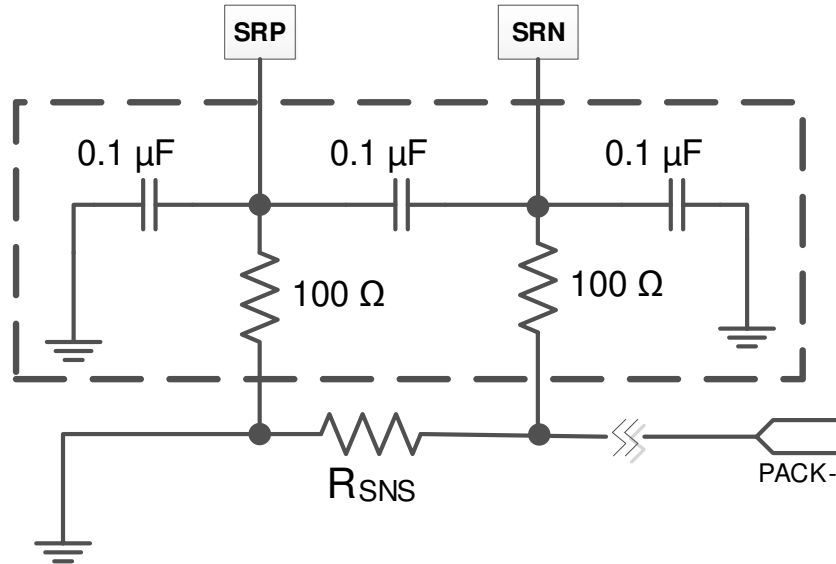


图 10-8. Optional Filters Improve Current Measurement

#### 10.1.1.7 Using the State Comparator in an Application

The state comparator has built-in hysteresis and  $t_{\text{STATE}}$  qualification time. In a typical application, the sense resistor is selected according to the application current, which is not usually close to the state comparator threshold. Current variation slowly through the hysteresis range causes the FET body diode protection to toggle on and off.

##### 10.1.1.7.1 Examples

As an example, using a 5-Ah battery, with 1C-rate (5 A) charge and 2C-rate (10 A) discharge, the sense resistor is mostly  $3 \text{ m}\Omega$  or less.

The typical current to turn on the FET body diode protection is 625 mA using this example. The typical current to turn off the FET body diode protection with the  $3\text{-m}\Omega$  sense resistor is 417 mA. Using this example, a  $> 1 \text{ A}$  current, either charge or discharge should provide a solid FET body diode protection detection. A momentary drop through the hysteresis threshold will not cause the body diode protection to drop, but drops of 2 ms or more will cause the FET to toggle.

Observe the device behavior during an OV event (and no other fault is detected). In an OV event, the CHG FET is off and the DSG FET is on. If a discharge of  $> 1 \text{ A}$  occurs, the device would turn on the CHG FET to allow the full discharge current to pass through. Once the overcharged cell is discharged to the OV recovery level, the OV fault is recovered and CHG driver turns on (or remains on in this scenario) and the state comparator is turned off.

If the discharge current drops below the  $V_{(\text{STATE\_D\_HYS})}$  threshold for longer than  $t_{\text{STATE}}$  when the device is still in an OV fault, the CHG FET may toggle on and off until the overcharged cell voltage is reduced down to the OV recovery level. When the OV fault recovered, the CHG FET will be turned on solidly and the state comparator is off.

Without the FET body diode protection, if a discharge occurs during an OV fault state, the discharge current can only pass through the CHG FET body diode until the OV fault is recovered. This increases the risk of damaging the CHG FET if the MOSFET is not rated to sustain such current through its body diode. It also increases the FET temperature as current is now carried through the body diode.

## 10.2 Typical Application

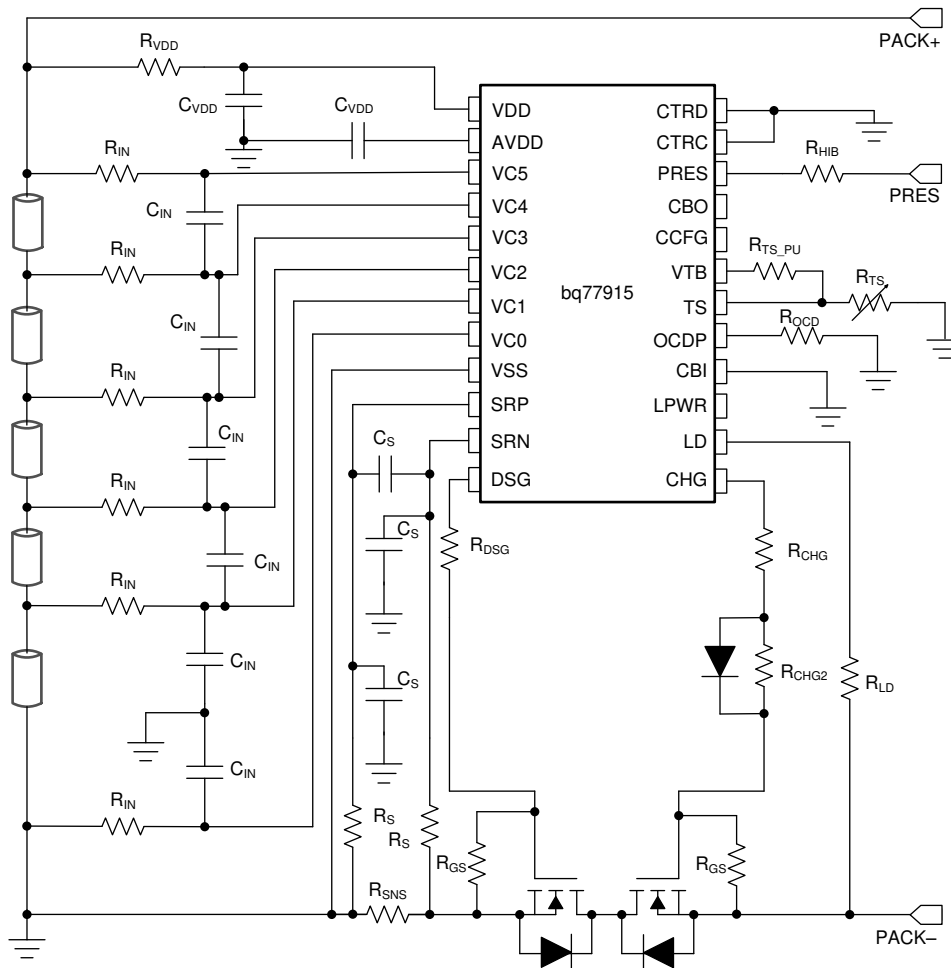


图 10-9. The BQ77915 Device with Five Cells

### 10.2.1 Design Requirements

For this design example, use the parameters shown in 表 10-1.

表 10-1. Design Parameters

PARAMETER	DESCRIPTION	VALUES	
$R_{IN}$	Cell voltage sensing (VCx pins) filter resistor. System designers should change this parameter to adjust the cell balance current.	1 k $\Omega$ $\pm$ 5%	
$C_{IN}$	Cell voltage sensing (VCx pins) filter capacitor	0.1 $\mu$ F $\pm$ 10%	
$R_{VDD}$	Supply voltage filter resistor	1 k $\Omega$ $\pm$ 5%	
$C_{VDD}$	Supply voltage filter capacitor	1 $\mu$ F $\pm$ 20%	
$R_S$	Current sensing input filter resistor	100 $\Omega$ $\pm$ 5%	
$C_S$	Current sensing input filter capacitor	0.1 $\mu$ F $\pm$ 10%	
$R_{TS}$	NTC thermistor	103AT, 10 k $\Omega$ $\pm$ 3%	
$R_{TS\_PU}$	Thermistor pullup resistor to VTB pin, assuming using 103AT NTC or NTC with similar resistance-temperature characteristic	10 k $\Omega$ $\pm$ 1%	
$R_{GS\_CHG}$	CHG FET gate-source resistor	Load removal is enabled for UV recovery. Load removal is disabled for UV recovery.	3.3 M $\Omega$ $\pm$ 5% 1 M $\Omega$ $\pm$ 5%
$R_{GS\_DSG}$	DSG FET gate-source resistor		1 M $\Omega$ $\pm$ 5%

表 10-1. Design Parameters (continued)

PARAMETER	DESCRIPTION		VALUES
R <sub>CHG</sub>	CHG gate resistor	System designers should adjust this parameter to meet the desired FET rise/fall time.	1 k $\Omega$ $\pm$ 5%
		If additional components are used to protect the CHG FET and/or to enable load removal detection for UV recovery	1 M $\Omega$ $\pm$ 5%
R <sub>DSG</sub>	DSG gate resistor. System designers should adjust this parameter to meet the desired FET rise/fall time.		4.5 k $\Omega$ $\pm$ 5%
R <sub>CTRC</sub> and R <sub>CTRD</sub>	CTRC and CTRD current limit resistor		10 M $\Omega$ $\pm$ 5%
R <sub>HIB</sub>	PRES pullup resistor for NORMAL mode		10 k $\Omega$ $\pm$ 5%
R <sub>OCD</sub>	OCDP discharge overcurrent protection delay pulldown resistor. System designers should change this parameter for the desired delay.		100 k $\Omega$ $\pm$ 1%
R <sub>CB</sub>	CBI pulldown resistor between stacked devices to enable balancing		10 k $\Omega$ $\pm$ 5%
R <sub>LD</sub>	LD resistor for load removal detection		450 K $\Omega$ $\pm$ 5%
R <sub>SNS</sub>	Current sense resistor for current protection. System designers should change this parameter according to the application current protection requirement.		1 m $\Omega$ $\pm$ 1%

### 10.2.2 Detailed Design Procedure

The following is the detailed design procedure:

1. Select the number of devices needed for the number of cells in the system, and for the configuration of the protection thresholds.
2. Select the proper sense resistor value based on the application current. The sense resistor should enable detection of the highest current protection, as well as the short circuit current.
3. Set the temperature protection using a 103AT NTC (or an NTC with similar specifications). If using a different type of NTC, a different R<sub>TS\_PU</sub> may be used for the application. Refer to the actual temperature detection threshold voltage to determine the R<sub>TS\_PU</sub> value.
4. Connect the CCFG pin correctly for each device based on the number of cells in series.
5. Enable cell balancing if desired.
6. Select the configuration parameters and input filter resistors to set the current.
7. Review the [Recommended System Implementation](#) to determine if optional components should be added to the schematic.

#### 10.2.2.1 Design Example

This example shows how to design protection for an 18-V Li-ion battery pack using 4.2-V cells with the following requirements:

- The system operates from 15 V to 21.5 V.
- The battery allows 4-A continuous current.
- The battery protects with 8-A discharge current > 500 ms.
- The battery has short circuit protection in < 2 ms.
- The system is for operation in an office environment: 10°C to 30°C.
- The cell normal charge voltage is 4.2  $\pm$ 0.05 V to 0.05 C.
- The cell cutoff voltage is 2.75 V.
- The charge temperature is 0°C to 45°C.
- A cell configuration is selected to provide 5 Ah over the system range of operation.
- The cell assembly is capable of > 30-A short circuit current.
- Cell balancing is desired with a current of 10% of termination current.
- Low current drain is desired when the pack is removed from the system.
- Load removal for fault recovery is required. Recovery by connecting the charger is acceptable.

To start the design:

1. Start the schematic:



- An 18-V pack using 3.6-V nominal cells requires a 5-series configuration. A single BQ77915 device is needed.
  - Follow the 5-series reference schematic in this document. Follow the recommended design parameters in [Design Requirements](#).
  - Because a single device is needed, CTRC and CTRD are connected directly to GND.
  - The power FET used in this type of application usually has an absolute maximum of 20-V Vgs. For an 18-V pack design, transient voltage during an OCD may exceed 20 V, so the diode across the 1-M $\Omega$  R<sub>CHG2</sub> is used. R<sub>CHG</sub> helps to slow the charge FET from turning on.
  - Because a charger connection for UV recovery is acceptable, the condition in [Using Load Detect for UV Fault Recovery](#) is not a concern. A 1-M $\Omega$  R<sub>GS\_CHG</sub> can be used for the schematic.
  - The optional sense input filter is selected for the circuit.
  - Because low current storage is desired, the PRES pin is brought out of the pack for control by the system. The standard recommended R<sub>HIB</sub> value is used.
  - Because cell balancing is required:
    - Connect the CBI pin to VSS.
    - Determine the resistance for the R<sub>IN</sub> filter resistors. Since the charge taper current will be 0.05  $\times$  5 A or 250 mA, 10% is 25 mA. With a 4.1-V cell, 25 mA would require 164- $\Omega$  resistance. This resistance includes the internal R<sub>BAL</sub> resistance and two R<sub>IN</sub> resistors. 75- $\Omega$  resistors are selected for R<sub>IN</sub>.
2. Decide the value of the sense resistor, R<sub>SNS</sub>.
- When selecting the value of R<sub>SNS</sub>, verify the voltage drop across SRP and SRN is within the available current protection threshold range.
  - In this example, only one protection threshold is specified. The minimum available OCD threshold is the - 10-mV OCD1 threshold, but this would result in an odd value for R<sub>SNS</sub> and the tolerance of the threshold is 30%. Using the - 60-mV threshold of the BQ77915 configuration, a 10-m $\Omega$  sense resistor would give a 6-A nominal OCD threshold. With the 20% tolerance, 4 A can pass without OCD and 8 A will always cross the threshold.
  - A 30-A SCD with a 10-m $\Omega$  sense resistor would be a nominal 300-mV threshold. Tolerance must be considered and the protection threshold can be lower than the battery capability. The 120-mV threshold of the BQ77915 configuration with a 10-m $\Omega$  R<sub>SNS</sub> will give a 12-A nominal short circuit threshold.
  - Select R<sub>SNS</sub> = 10 m $\Omega$  for this example.
3. Determine the remaining BQ77915 protection configuration:
- Charging the cells at a lower than maximum voltage allows a margin on setting the OV threshold. The system could allow a 4.15-V OV, while the cells might allow a 4.3-V OV. Since the charge voltage will be 4.1 V/cell, this is the desired VFC point of the BQ77915 device. The 4200-mV OV threshold and 100 mV VOV - VFC of the BQ77915 device are suitable.
  - OV hysteresis and delay values are not specified requirements. A 1-s delay will be selected. Some hysteresis is desired to prevent cycling if the battery were to reach OV. 200 mV is acceptable.
  - The system will stop operation at a nominal 3 V per cell, while the cells could operate to 2.75 V. Some margin below the 3 V should be allowed, because cell voltages possibly vary at low states of charge. A 2750-mV threshold option is available, but the existing BQ77915 configuration has the 2900 threshold.
  - UV hysteresis and delay are not specified requirements. A 1-s delay is selected. Generally, a larger UV hysteresis will avoid system cycling from automatic recovery; however, in this design load, removal is required and charger connection is expected for UV recovery. The value could vary, but 400 mV is selected.
  - Open-wire protection is selected at the 100-nA level.
  - t<sub>OCD1</sub> or t<sub>OCD2</sub> could be programmed to 350 ms to protect in less than 500 ms, or the default BQ77915 180 ms is used. However, the 350 ms can be selected with R<sub>OCD</sub>. Use 604 k $\Omega$  1% for R<sub>OCD</sub>.
  - The 2-ms SCD response time allows either SCD delay selection.
  - Overcurrent charge protection is not specified in the requirements. The BQ77915 60-mV setting will allow a 1C charge.

- For temperature protections, the 0°C to 45°C charge temperature thresholds match the range for the cells. Use the lower range for discharge.
  - The VCBTH - VCBTHL determines the voltage spread during constant current charge when balancing is allowed. 100 mV allows some spread without balancing.
  - See the summary in [表 10-2](#).
4. Review the available release in the [Device Comparison Table](#) to determine if it is a suitable option. In this example, the BQ7791500 configuration is suitable. If it is not suitable for your design, contact a TI representative for further assistance and for information on BQ77915 PRODUCT PREVIEW devices.

表 10-2. Design Example Configuration

Protection	Threshold	Hysteresis	Delay	Recovery Method
OV	4.2 V	200 mV	1 s (default setting)	Hysteresis
UV	2.9 V	400 mV	1 s (default setting)	Hysteresis + load removal
OW	100 nA (default setting)	—	—	$(VC_x - VC_{x-1}) > 600$ mV (typical)
OCD1	60 mV	—	180 ms	Load removal only
OCD2	60 mV	—	180 ms (350 ms using $R_{OCD}$ )	Load removal only
SCD	120 mV	—	960 $\mu$ s	Load removal only
OCC	60 mV	—	Fixed at 10 ms	Load detection only
OTC	45°C	10°C	4.5 s	Hysteresis
OTD	65°C	10°C	4.5 s	Hysteresis
UTC	0°C	10°C	4.5 s	Hysteresis
UTD	- 10°C	10°C	4.5 s	Hysteresis
VOV - VFC	100 mV	—	—	—
VCBTH - VCBTL	100 mV	—	—	—
V <sub>START</sub>	3.8 V	—	—	—

### 10.2.3 Application Curves

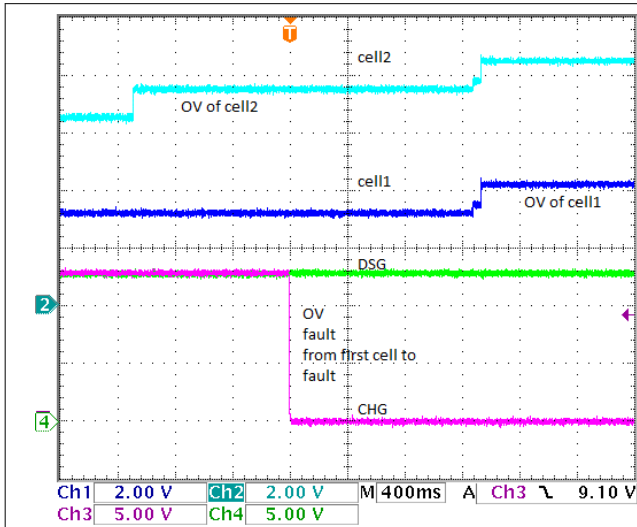


图 10-10. OV Fault Protection

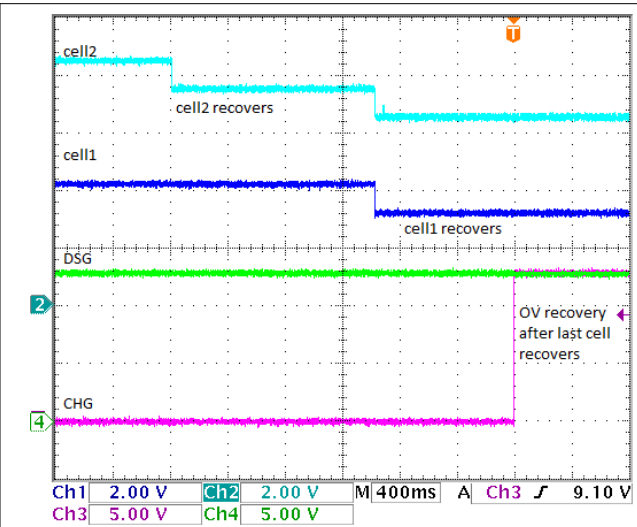


图 10-11. OV Fault Recovery

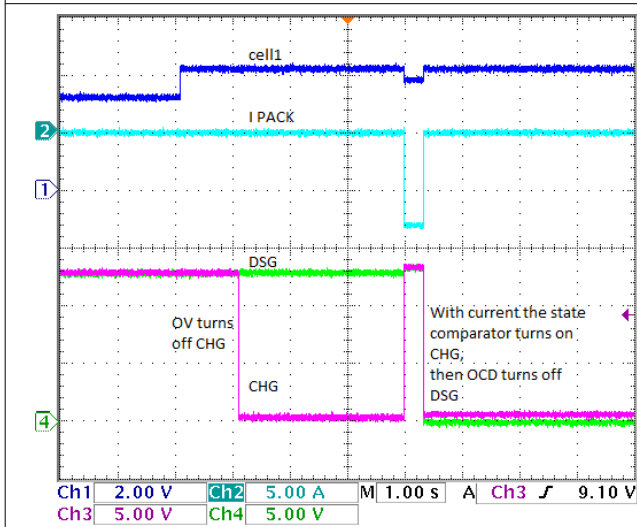


图 10-12. OV and OCD2 Faults Protection

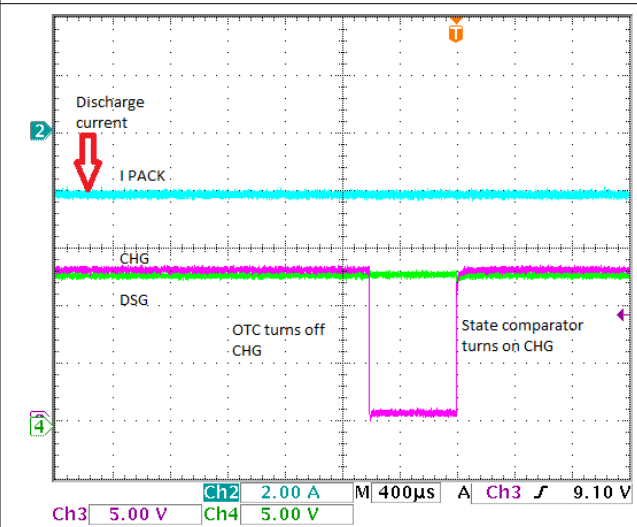
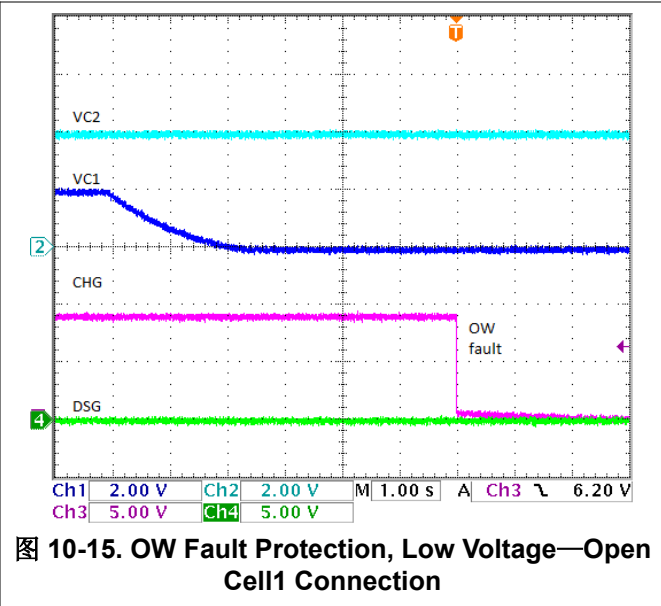
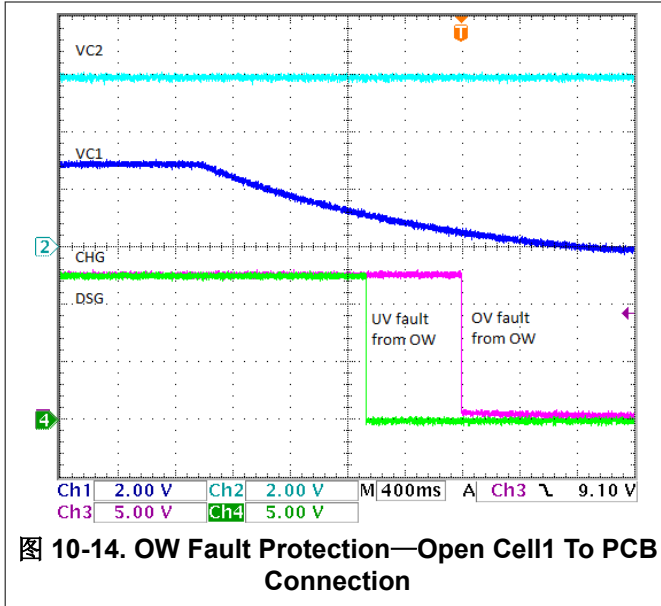


图 10-13. Detect OTC Fault While in Discharge



## 11 Power Supply Recommendations

The recommended cell voltage range is up to 5 V. If three cells in series are connecting to the BQ77915 device, the unused VCx pins should be shorted to the highest unused VCx pin. The recommended VDD range is from 3 V to 25 V. This implies the device is still operational when cell voltage is depleted down to the ~1.5-V range.

## 12 Layout

### 12.1 Layout Guidelines

1. Match SRN and SRP traces.
2.  $R_{IN}$  filters, VDD, AVDD filters, and the  $C_{VDD}$  capacitor should be placed close to the device pins.
3. Separate the device ground plane (low current ground) from the high current path. Filter capacitors should reference to the low current ground path or device Vss.
4. In a stack configuration, the  $R_{CTRD}$  and  $R_{CTRC}$  should be placed closer to the lower device CTRD and CTRC pins.
5.  $R_{GS}$  should be placed near the FETs.
6. In a stacked configuration, verify in the PCB layout that the trace from the VC5 pin to a cell and the trace from the VC0 pin of the next upper device to the immediately higher cell are kept separate.

## 12.2 Layout Example

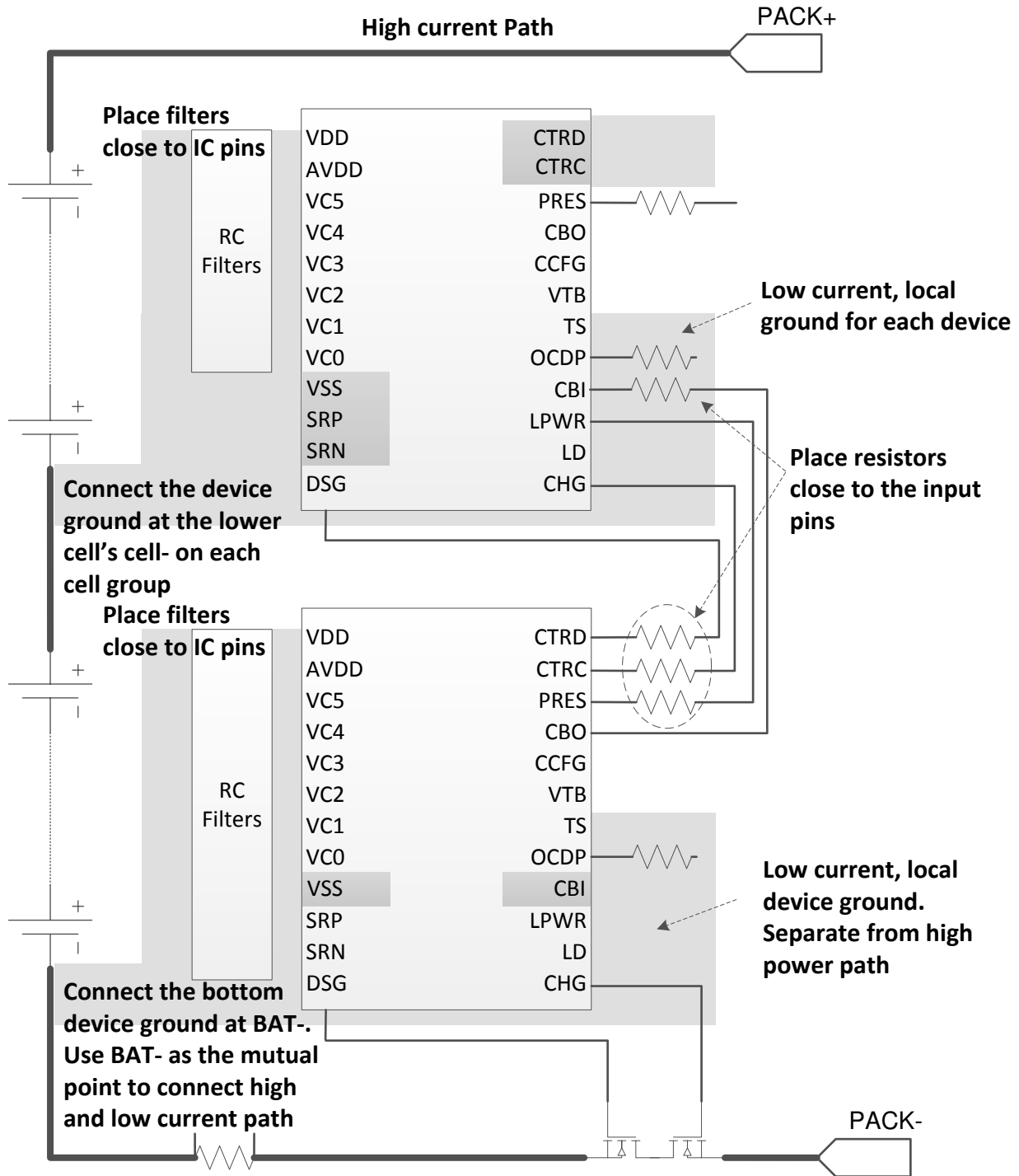


图 12-1. Layout Example

## 13 Device and Documentation Support

### 13.1 第三方产品免责声明

TI 发布的与第三方产品或服务有关的信息，不能构成与此类产品或服务或保修的适用性有关的认可，不能构成此类产品或服务单独或与任何 TI 产品或服务一起的表示或认可。

### 13.2 Documentation Support

#### 13.2.1 Related Documentation

For related documentation see the following:

- [BQ77915 3 - 5S Low-Power Protector Evaluation Module User's Guide](#)
- [BQ77915 Functional Safety FIT Rate, FMD, and Pin FMA Application Report](#)

### 13.3 接收文档更新通知

要接收文档更新通知，请导航至 [ti.com](https://www.ti.com) 上的器件产品文件夹。点击 [订阅更新](#) 进行注册，即可每周接收产品信息更改摘要。有关更改的详细信息，请查看任何已修订文档中包含的修订历史记录。

### 13.4 支持资源

[TI E2E™ 支持论坛](#) 是工程师的重要参考资料，可直接从专家获得快速、经过验证的解答和设计帮助。搜索现有解答或提出自己的问题可获得所需的快速设计帮助。

链接的内容由各个贡献者“按原样”提供。这些内容并不构成 TI 技术规范，并且不一定反映 TI 的观点；请参阅 TI 的 [《使用条款》](#)。

### 13.5 Trademarks

TI E2E™ is a trademark of Texas Instruments.

所有商标均为其各自所有者的财产。

### 13.6 静电放电警告



静电放电 (ESD) 会损坏这个集成电路。德州仪器 (TI) 建议通过适当的预防措施处理所有集成电路。如果不遵守正确的处理和安装程序，可能会损坏集成电路。

ESD 的损坏小至导致微小的性能降级，大至整个器件故障。精密的集成电路可能更容易受到损坏，这是因为非常细微的参数更改都可能会导致器件与其发布的规格不相符。

### 13.7 术语表

[TI 术语表](#) 本术语表列出并解释了术语、首字母缩略词和定义。

## 14 Mechanical, Packaging, and Orderable Information

The following pages include mechanical, packaging, and orderable information. This information is the most current data available for the designated devices. This data is subject to change without notice and revision of this document. For browser-based versions of this data sheet, refer to the left-hand navigation.

**PACKAGING INFORMATION**

Orderable part number	Status (1)	Material type (2)	Package   Pins	Package qty   Carrier	RoHS (3)	Lead finish/ Ball material (4)	MSL rating/ Peak reflow (5)	Op temp (°C)	Part marking (6)
<a href="#">BQ7791500PWR</a>	Active	Production	TSSOP (PW)   24	2000   LARGE T&R	Yes	NIPDAU	Level-2-260C-1 YEAR	-40 to 85	BQ77915
BQ7791500PWR.A	Active	Production	TSSOP (PW)   24	2000   LARGE T&R	Yes	NIPDAU	Level-2-260C-1 YEAR	-40 to 85	BQ77915
<a href="#">BQ7791500PWT</a>	Active	Production	TSSOP (PW)   24	250   SMALL T&R	Yes	NIPDAU	Level-2-260C-1 YEAR	-40 to 85	BQ77915
BQ7791500PWT.A	Active	Production	TSSOP (PW)   24	250   SMALL T&R	Yes	NIPDAU	Level-2-260C-1 YEAR	-40 to 85	BQ77915
<a href="#">BQ7791501PWR</a>	Active	Production	TSSOP (PW)   24	2000   LARGE T&R	Yes	NIPDAU	Level-2-260C-1 YEAR	-40 to 85	7791501
BQ7791501PWR.A	Active	Production	TSSOP (PW)   24	2000   LARGE T&R	Yes	NIPDAU	Level-2-260C-1 YEAR	-40 to 85	7791501
<a href="#">BQ7791501PWT</a>	Active	Production	TSSOP (PW)   24	250   SMALL T&R	Yes	NIPDAU	Level-2-260C-1 YEAR	-40 to 85	7791501
BQ7791501PWT.A	Active	Production	TSSOP (PW)   24	250   SMALL T&R	Yes	NIPDAU	Level-2-260C-1 YEAR	-40 to 85	7791501
<a href="#">BQ7791502PW</a>	Active	Production	TSSOP (PW)   24	60   TUBE	Yes	NIPDAU	Level-2-260C-1 YEAR	-40 to 85	7791502
BQ7791502PW.A	Active	Production	TSSOP (PW)   24	60   TUBE	Yes	NIPDAU	Level-2-260C-1 YEAR	-40 to 85	7791502
<a href="#">BQ7791502PWR</a>	Active	Production	TSSOP (PW)   24	2000   LARGE T&R	Yes	NIPDAU	Level-2-260C-1 YEAR	-40 to 85	7791502
BQ7791502PWR.A	Active	Production	TSSOP (PW)   24	2000   LARGE T&R	Yes	NIPDAU	Level-2-260C-1 YEAR	-40 to 85	7791502
<a href="#">BQ7791504PW</a>	Active	Production	TSSOP (PW)   24	60   TUBE	Yes	NIPDAU	Level-2-260C-1 YEAR	-40 to 85	7791504
BQ7791504PW.A	Active	Production	TSSOP (PW)   24	60   TUBE	Yes	NIPDAU	Level-2-260C-1 YEAR	-40 to 85	7791504
<a href="#">BQ7791504PWR</a>	Active	Production	TSSOP (PW)   24	2000   LARGE T&R	Yes	NIPDAU	Level-2-260C-1 YEAR	-40 to 85	7791504
BQ7791504PWR.A	Active	Production	TSSOP (PW)   24	2000   LARGE T&R	Yes	NIPDAU	Level-2-260C-1 YEAR	-40 to 85	7791504
<a href="#">BQ7791506PW</a>	Active	Production	TSSOP (PW)   24	60   TUBE	Yes	NIPDAU	Level-2-260C-1 YEAR	-40 to 85	7791506
BQ7791506PW.A	Active	Production	TSSOP (PW)   24	60   TUBE	Yes	NIPDAU	Level-2-260C-1 YEAR	-40 to 85	7791506
<a href="#">BQ7791506PWR</a>	Active	Production	TSSOP (PW)   24	2000   LARGE T&R	Yes	NIPDAU	Level-2-260C-1 YEAR	-40 to 85	7791506
BQ7791506PWR.A	Active	Production	TSSOP (PW)   24	2000   LARGE T&R	Yes	NIPDAU	Level-2-260C-1 YEAR	-40 to 85	7791506
<a href="#">BQ7791508PW</a>	Active	Production	TSSOP (PW)   24	60   TUBE	Yes	NIPDAU	Level-2-260C-1 YEAR	-40 to 85	7791508
BQ7791508PW.A	Active	Production	TSSOP (PW)   24	60   TUBE	Yes	NIPDAU	Level-2-260C-1 YEAR	-40 to 85	7791508
<a href="#">BQ7791508PWR</a>	Active	Production	TSSOP (PW)   24	2000   LARGE T&R	Yes	NIPDAU	Level-2-260C-1 YEAR	-40 to 85	7791508
BQ7791508PWR.A	Active	Production	TSSOP (PW)   24	2000   LARGE T&R	Yes	NIPDAU	Level-2-260C-1 YEAR	-40 to 85	7791508
<a href="#">BQ7791513PWR</a>	Active	Production	TSSOP (PW)   24	2000   LARGE T&R	Yes	NIPDAU	Level-2-260C-1 YEAR	-40 to 85	7791513
BQ7791513PWR.A	Active	Production	TSSOP (PW)   24	2000   LARGE T&R	Yes	NIPDAU	Level-2-260C-1 YEAR	-40 to 85	7791513
<a href="#">BQ7791514PWR</a>	Active	Production	TSSOP (PW)   24	2000   LARGE T&R	Yes	NIPDAU	Level-2-260C-1 YEAR	-40 to 85	7791514
BQ7791514PWR.A	Active	Production	TSSOP (PW)   24	2000   LARGE T&R	Yes	NIPDAU	Level-2-260C-1 YEAR	-40 to 85	7791514



(1) **Status:** For more details on status, see our [product life cycle](#).

(2) **Material type:** When designated, preproduction parts are prototypes/experimental devices, and are not yet approved or released for full production. Testing and final process, including without limitation quality assurance, reliability performance testing, and/or process qualification, may not yet be complete, and this item is subject to further changes or possible discontinuation. If available for ordering, purchases will be subject to an additional waiver at checkout, and are intended for early internal evaluation purposes only. These items are sold without warranties of any kind.

(3) **RoHS values:** Yes, No, RoHS Exempt. See the [TI RoHS Statement](#) for additional information and value definition.

(4) **Lead finish/Ball material:** Parts may have multiple material finish options. Finish options are separated by a vertical ruled line. Lead finish/Ball material values may wrap to two lines if the finish value exceeds the maximum column width.

(5) **MSL rating/Peak reflow:** The moisture sensitivity level ratings and peak solder (reflow) temperatures. In the event that a part has multiple moisture sensitivity ratings, only the lowest level per JEDEC standards is shown. Refer to the shipping label for the actual reflow temperature that will be used to mount the part to the printed circuit board.

(6) **Part marking:** There may be an additional marking, which relates to the logo, the lot trace code information, or the environmental category of the part.

Multiple part markings will be inside parentheses. Only one part marking contained in parentheses and separated by a "-" will appear on a part. If a line is indented then it is a continuation of the previous line and the two combined represent the entire part marking for that device.

**Important Information and Disclaimer:** The information provided on this page represents TI's knowledge and belief as of the date that it is provided. TI bases its knowledge and belief on information provided by third parties, and makes no representation or warranty as to the accuracy of such information. Efforts are underway to better integrate information from third parties. TI has taken and continues to take reasonable steps to provide representative and accurate information but may not have conducted destructive testing or chemical analysis on incoming materials and chemicals. TI and TI suppliers consider certain information to be proprietary, and thus CAS numbers and other limited information may not be available for release.

In no event shall TI's liability arising out of such information exceed the total purchase price of the TI part(s) at issue in this document sold by TI to Customer on an annual basis.

**TAPE AND REEL INFORMATION**

**QUADRANT ASSIGNMENTS FOR PIN 1 ORIENTATION IN TAPE**


\*All dimensions are nominal

Device	Package Type	Package Drawing	Pins	SPQ	Reel Diameter (mm)	Reel Width W1 (mm)	A0 (mm)	B0 (mm)	K0 (mm)	P1 (mm)	W (mm)	Pin1 Quadrant
BQ7791500PWR	TSSOP	PW	24	2000	330.0	16.4	6.95	8.3	1.6	8.0	16.0	Q1
BQ7791500PWT	TSSOP	PW	24	250	180.0	16.4	6.95	8.3	1.6	8.0	16.0	Q1
BQ7791501PWR	TSSOP	PW	24	2000	330.0	16.4	6.95	8.3	1.6	8.0	16.0	Q1
BQ7791501PWT	TSSOP	PW	24	250	180.0	16.4	6.95	8.3	1.6	8.0	16.0	Q1
BQ7791502PWR	TSSOP	PW	24	2000	330.0	16.4	6.95	8.3	1.6	8.0	16.0	Q1
BQ7791504PWR	TSSOP	PW	24	2000	330.0	16.4	6.95	8.3	1.6	8.0	16.0	Q1
BQ7791506PWR	TSSOP	PW	24	2000	330.0	16.4	6.95	8.3	1.6	8.0	16.0	Q1
BQ7791508PWR	TSSOP	PW	24	2000	330.0	16.4	6.95	8.3	1.6	8.0	16.0	Q1
BQ7791513PWR	TSSOP	PW	24	2000	330.0	16.4	6.95	8.3	1.6	8.0	16.0	Q1
BQ7791514PWR	TSSOP	PW	24	2000	330.0	16.4	6.95	8.3	1.6	8.0	16.0	Q1

**TAPE AND REEL BOX DIMENSIONS**


\*All dimensions are nominal

Device	Package Type	Package Drawing	Pins	SPQ	Length (mm)	Width (mm)	Height (mm)
BQ7791500PWR	TSSOP	PW	24	2000	353.0	353.0	32.0
BQ7791500PWT	TSSOP	PW	24	250	213.0	191.0	35.0
BQ7791501PWR	TSSOP	PW	24	2000	353.0	353.0	32.0
BQ7791501PWT	TSSOP	PW	24	250	213.0	191.0	35.0
BQ7791502PWR	TSSOP	PW	24	2000	353.0	353.0	32.0
BQ7791504PWR	TSSOP	PW	24	2000	353.0	353.0	32.0
BQ7791506PWR	TSSOP	PW	24	2000	353.0	353.0	32.0
BQ7791508PWR	TSSOP	PW	24	2000	353.0	353.0	32.0
BQ7791513PWR	TSSOP	PW	24	2000	353.0	353.0	32.0
BQ7791514PWR	TSSOP	PW	24	2000	353.0	353.0	32.0

**TUBE**


\*All dimensions are nominal

Device	Package Name	Package Type	Pins	SPQ	L (mm)	W (mm)	T (μm)	B (mm)
BQ7791502PW	PW	TSSOP	24	60	530	10.2	3600	3.5
BQ7791502PW.A	PW	TSSOP	24	60	530	10.2	3600	3.5
BQ7791504PW	PW	TSSOP	24	60	530	10.2	3600	3.5
BQ7791504PW.A	PW	TSSOP	24	60	530	10.2	3600	3.5
BQ7791506PW	PW	TSSOP	24	60	530	10.2	3600	3.5
BQ7791506PW.A	PW	TSSOP	24	60	530	10.2	3600	3.5
BQ7791508PW	PW	TSSOP	24	60	530	10.2	3600	3.5
BQ7791508PW.A	PW	TSSOP	24	60	530	10.2	3600	3.5

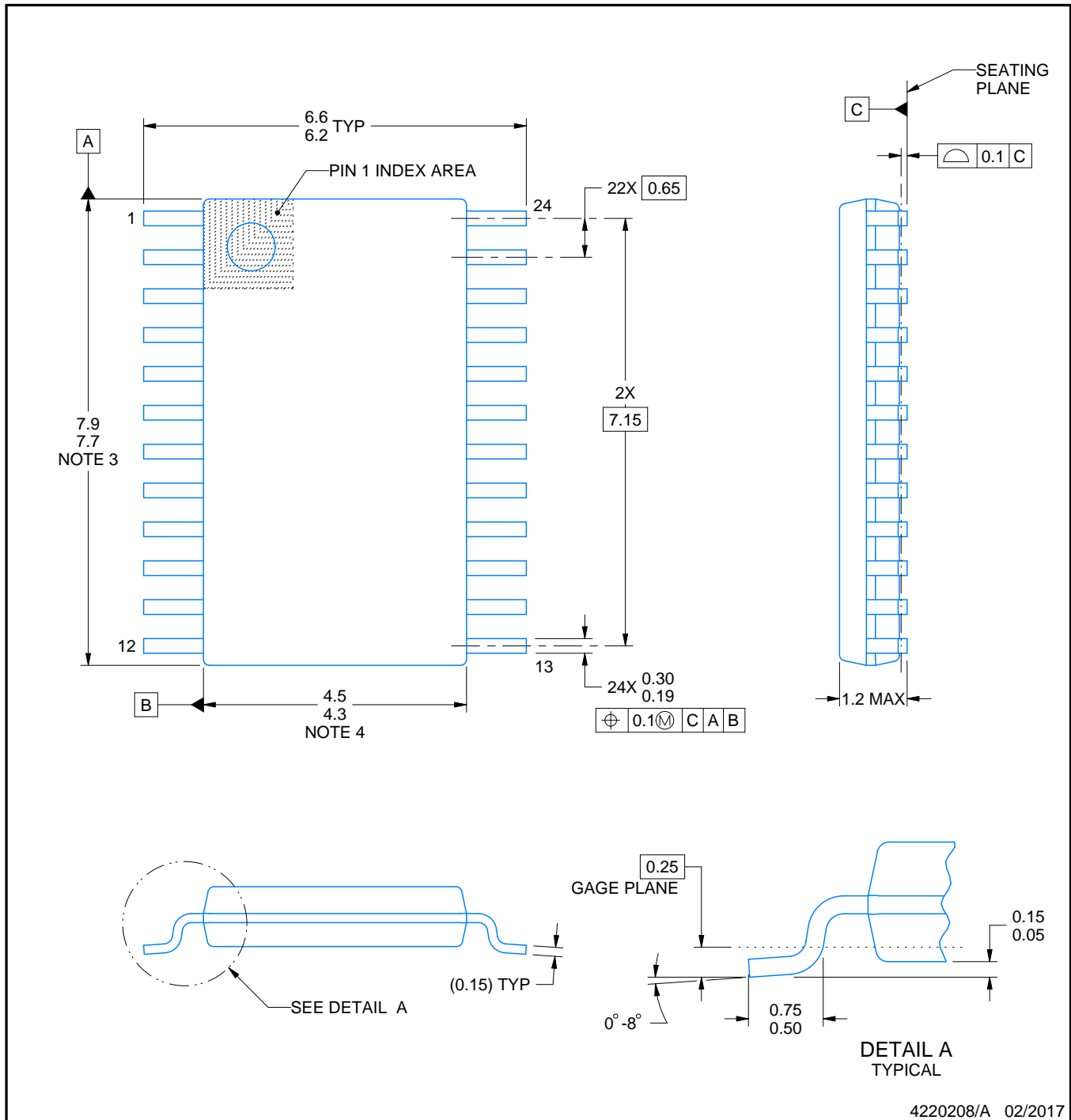
PW0024A



# PACKAGE OUTLINE

## TSSOP - 1.2 mm max height

SMALL OUTLINE PACKAGE



4220208/A 02/2017

NOTES:

1. All linear dimensions are in millimeters. Any dimensions in parenthesis are for reference only. Dimensioning and tolerancing per ASME Y14.5M.
2. This drawing is subject to change without notice.
3. This dimension does not include mold flash, protrusions, or gate burrs. Mold flash, protrusions, or gate burrs shall not exceed 0.15 mm per side.
4. This dimension does not include interlead flash. Interlead flash shall not exceed 0.25 mm per side.
5. Reference JEDEC registration MO-153.

# EXAMPLE BOARD LAYOUT

PW0024A

TSSOP - 1.2 mm max height

SMALL OUTLINE PACKAGE



LAND PATTERN EXAMPLE  
EXPOSED METAL SHOWN  
SCALE: 10X



SOLDER MASK DETAILS

4220208/A 02/2017

NOTES: (continued)

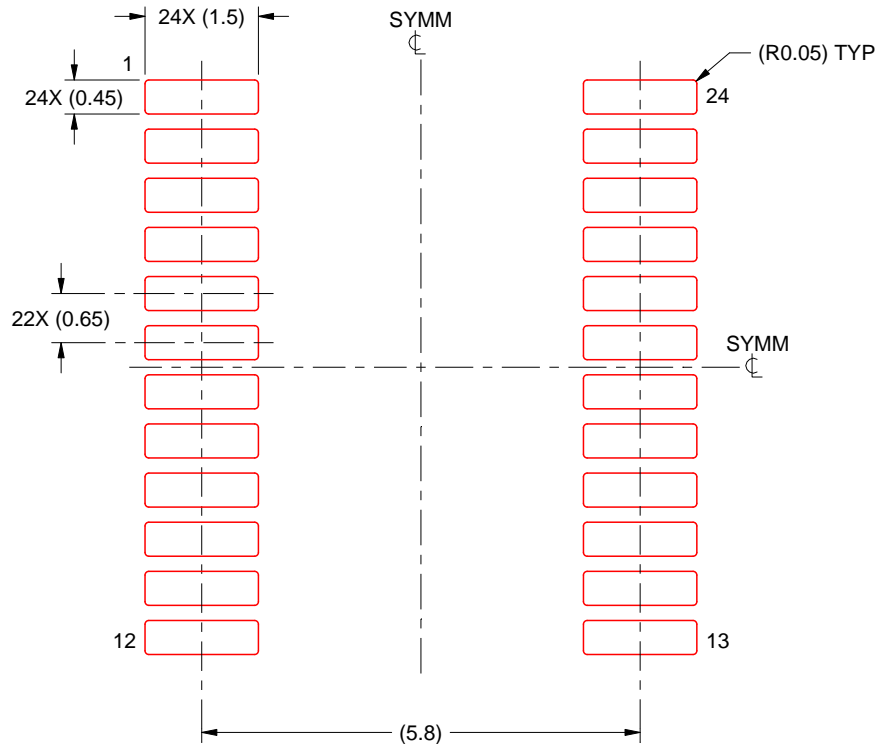
- 6. Publication IPC-7351 may have alternate designs.
- 7. Solder mask tolerances between and around signal pads can vary based on board fabrication site.

# EXAMPLE STENCIL DESIGN

PW0024A

TSSOP - 1.2 mm max height

SMALL OUTLINE PACKAGE



SOLDER PASTE EXAMPLE  
BASED ON 0.125 mm THICK STENCIL  
SCALE: 10X

4220208/A 02/2017

NOTES: (continued)

8. Laser cutting apertures with trapezoidal walls and rounded corners may offer better paste release. IPC-7525 may have alternate design recommendations.
9. Board assembly site may have different recommendations for stencil design.

## 重要通知和免责声明

TI“按原样”提供技术和可靠性数据（包括数据表）、设计资源（包括参考设计）、应用或其他设计建议、网络工具、安全信息和其他资源，不保证没有瑕疵且不做任何明示或暗示的担保，包括但不限于对适销性、与某特定用途的适用性或不侵犯任何第三方知识产权的暗示担保。

这些资源可供使用 TI 产品进行设计的熟练开发人员使用。您将自行承担以下全部责任：(1) 针对您的应用选择合适的 TI 产品，(2) 设计、验证并测试您的应用，(3) 确保您的应用满足相应标准以及任何其他安全、安保法规或其他要求。

这些资源如有变更，恕不另行通知。TI 授权您仅可将这些资源用于研发本资源所述的 TI 产品的相关应用。严禁以其他方式对这些资源进行复制或展示。您无权使用任何其他 TI 知识产权或任何第三方知识产权。对于因您对这些资源的使用而对 TI 及其代表造成的任何索赔、损害、成本、损失和债务，您将全额赔偿，TI 对此概不负责。

TI 提供的产品受 [TI 销售条款](#)、[TI 通用质量指南](#) 或 [ti.com](#) 上其他适用条款或 TI 产品随附的其他适用条款的约束。TI 提供这些资源并不会扩展或以其他方式更改 TI 针对 TI 产品发布的适用的担保或担保免责声明。除非德州仪器 (TI) 明确将某产品指定为定制产品或客户特定产品，否则其产品均为按确定价格收入目录的标准通用器件。

TI 反对并拒绝您可能提出的任何其他或不同的条款。

版权所有 © 2025，德州仪器 (TI) 公司

最后更新日期：2025 年 10 月