

# SuperSpeed USB Reference Guide



## What is SuperSpeed USB?

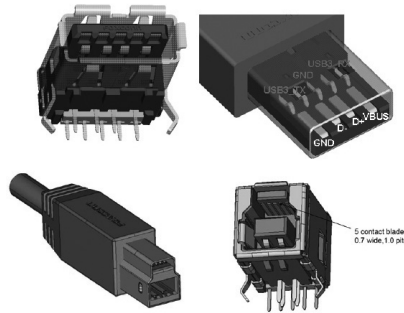
SuperSpeed USB is the brand name that the USB Implementers Forum (USB-IF) has associated with the USB 3.0 Specification. The USB 3.0 Promoters Group aimed to deliver four key values to the consumer with SuperSpeed USB:

1. 10x speed increase to 5-Gbps raw bit transfer rate
2. Improving the power efficiency of the bus
3. Maintaining backwards compatibility
4. Improving the data transfer efficiency itself.

The most obvious difference in SuperSpeed USB is the 10x speed increase from 480 Mbps to 5 Gbps. Although USB 2.0 high speed (and even USB full speed [12 Mbps] and low speed [1.5 Mbps]) are more than adequate for many applications, for others, the USB connection can become a bottleneck. **The 5-Gbps data rate of SuperSpeed USB should provide headroom for the next five years.**

Improving power efficiency is ideal for extending the battery life for portable devices, whether hosts or peripherals. There are multiple aspects of the new specification that were developed to address reducing the overall power footprint of new USB devices including:

- Elimination of device polling
- Elimination of broadcasting packets
- Intermediate low-power IDLE states
- 10x data transfer speed increase



When you combine the bus usage efficiency (no broadcast packets and elimination of polling), the improved IDLE power states, and the lower average transmit power, **SuperSpeed USB will consume approximately one-third the power of USB 2.0.**

What does backwards compatibility really mean? When approached from the end-user perspective, it means that ALL existing products that are compliant with the specification will seamlessly connect to and work with all new products supporting the new specification. This means that the existing cables (i.e. plugs) must be able to be inserted into the appropriate new receptacle. The reverse is also true, that the new cables must be able to be inserted into the old receptacles – again where appropriate. Along with mechanical backward compatibility, the goal was to maintain the extensive device driver infrastructure. The same data transfer types – interrupt, bulk and isochronous – were maintained. **Finally, this standard preserves existing USB ease-of-use expectations.**

There are two aspects to improve overall bus usage efficiency. The first aspect of this being the elimination of polling. Do not use the bus unless data is ready to be transferred. In addition, the full duplex architecture of SuperSpeed USB allows for concurrent bi-directional data flow as opposed to the half-duplex USB 2.0 architecture, eliminating the need to “turn around the bus,” which significantly cuts into bus efficiency.

## Applications and benefits

Where will SuperSpeed USB be used? Any place where high-capacity storage is needed to perform fast data sync-and-go to the computer.

The goal for sync-and-go operations is to take less than 90 seconds, the “threshold of pain” for many end users. Many portable devices use Flash memory for storage. Capacity will continue to increase, both because of customer demand and the dramatic increase in Flash capacity, as well as reduced cost. Therefore, Flash-based peripherals will benefit (and ultimately require) the much higher SuperSpeed USB data rates. This includes the most commonly used USB peripheral – the ubiquitous flash drive. Table 1 summarizes the user experience enhancement in moving from USB full speed to high speed, then to SuperSpeed USB. SuperSpeed USB enables well under 90 seconds for most sync-and-go applications.





				
Typical File Size	1 GB	6 GB	16 GB	27 GB
USB Full-speed	22 min	2.2 hr	5.9 hr	9.3 hr
USB High-speed	33 sec	3.3 min	8.9 min	13.9 min
SuperSpeed USB	3 sec	20 sec	53 sec	70 sec

Table 1: Sync-n-go rate comparison

In addition to these portable, consumer, content-rich applications, SuperSpeed USB will enable many additional applications where having a very fast transfer pipe from a peripheral to a PC is critical - such as image analysis, data acquisition, ultra-high-resolution imaging, and native USB displays.

## SN65LVPE502 SuperSpeed USB Redriver

### Description

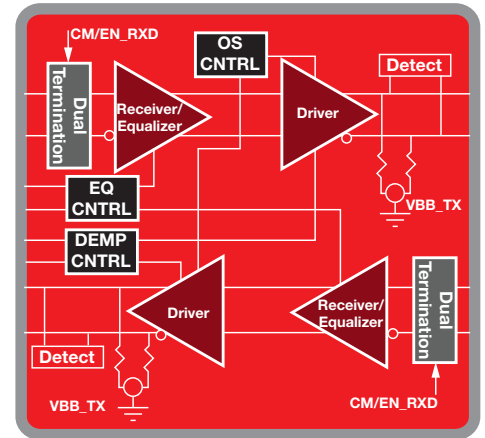
The SN65LVPE502 is a dual channel, single lane USB 3.0 redriver and signal conditioner supporting data rates of 5.0 Gbps. The device complies with USB 3.0 spec revision 1.0, supporting electrical idle condition and low-frequency periodic signals (LFPS) for USB 3.0 power management modes. It features programmable equalization, de-emphasis and amplitude swing in order to minimize signal degradation effects such as crosstalk and inter-symbol interference (ISI) that limits the interconnect distance between two devices. Finally it supports three low power modes:

1. Sleep Mode
2. RX Detect Mode

### 3. U2/U3 Mode

#### Features and benefits

- Low power helps extend battery life in mobile applications with auto low-power modes
  - 6 mW when no cable detected
  - 70 mW in USB low-power modes
- Two-level equalization control and nine-level de-emphasis control enable excellent jitter and loss compensation to drive up to 24 inches of 6 mil on FR4
- Small 4mm x 4mm, 24-QFN package saves board space
- High protection against ESD transient
  - 8KV HBM
  - 1.5KV CDM



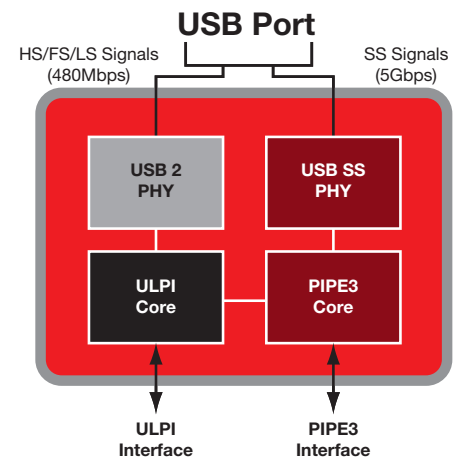
## TUSB1310A SuperSpeed USB PIPE3/ULPI Transceiver

### Description

The TUSB1310A is TI's second generation SuperSpeed USB transceiver that integrates both a USB 3.0 physical layer and a USB 2.0 physical layer. It implements industry-standard digital interfaces for connecting to the USB core-enabled processor, controller, or FPGA. PIPE3 is used for the SuperSpeed signal path, while ULPI is the path for high-speed, full-speed, and low-speed signals.

#### Features and benefits

- Receiver sensitivity of less than 50 mV differential peak-to-peak is twice as good as required by the specification. This allows for simpler board layout and longer cable usage to ensure broader compatibility.
- USB interface supports all USB application spaces.
- Industry standard digital interface enables easy system integration with attached core.
- Internal spread-spectrum generation enables use of a single, low-cost crystal.



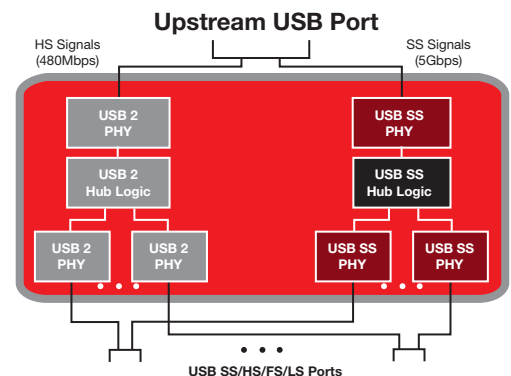
## TUSB8040 SuperSpeed USB 4-port Hub

### Description

The TUSB8040 is a SuperSpeed hub device that provides one upstream port and four downstream ports in compliance with USB specification version 3.0. Fully-compliant USB transceivers are integrated for all upstream and downstream ports. The downstream ports support both SuperSpeed USB and USB 2.0 connections, automatically routing through the hub logic to the appropriate upstream connection according to the speed of the device attached to the ports.

#### Features and benefits

- USB interface enables:
  - Increased number of available SuperSpeed ports.
  - Interoperability with latest high-performance USB peripherals.
  - Full backward- and forward-compatibility of all ports in a system.
- Internal spread-spectrum generation enables use of a single low-cost crystal.
- Best-in-class adaptive receiver equalizer design allows for simpler board layout and longer cable usage.



## TUSB9261 SuperSpeed USB to Serial ATA 3-Gig Bridge



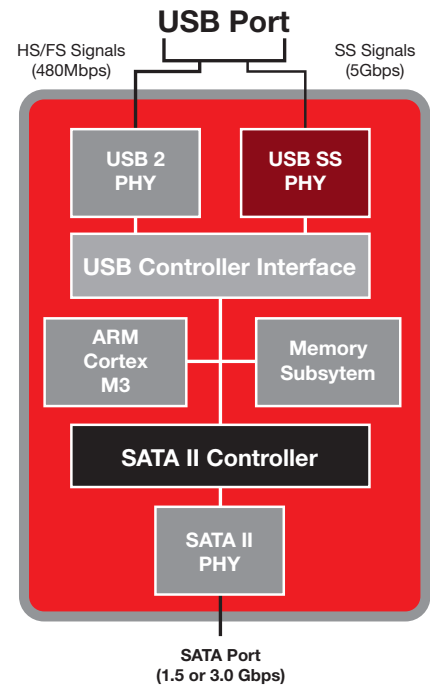
### Description

The TUSB9261 is TI's second generation SuperSpeed USB function controller with integrated USB-compliant transceivers. It is intended as a USB-to-SATA bridge for storage devices using the SATA interface.

The TUSB9261 is designed to use both the fast performance of the state machine and the programmability and flexibility of the embedded microcontroller (MCU) and firmware. With the elaborate balance between the MCU and the state machine, it provides a bridge solution to meet both performance and flexibility requirements of next-generation external storage devices.

### Features and benefits

- Performance enabled by TI's leading SuperSpeed USB analog PHY technology with Rx sensitivity of less than 50 mV differential peak-to-peak, which is twice as good as required by the USB 3.0 specification, enables longer etch runs or cable lengths to be used
- USB interface designed to maximize fast sync-and-go user experience
- SATA II interface insures cross platform compatibility and interoperability with latest high-performance storage drives
- Up to 12 GPIOs with PWM functionality for LED control on two GPIOs enables customer defined end-user configuration



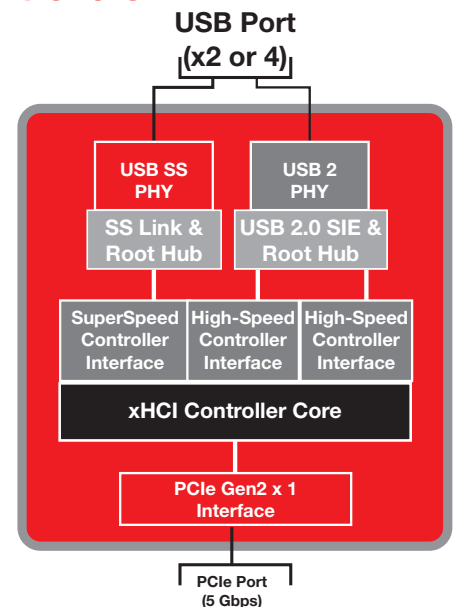
## TUSB7320 & TUSB7340 SuperSpeed USB xHCI Host Controllers

### Description

The TUSB73x0 family of SuperSpeed USB Host Controllers interface to the host system via a PCIe x1 Gen 2 interface. The downstream ports provide USB Interfaces that work up to 5 Gbps for data transfer when connecting to USB 3.0 compliant peripherals, while maintaining compatibility with existing USB high-speed, full-speed, or low-speed peripheral devices on the downstream USB ports. They comply with the USB 3.0 specification, and Intel's eXtensible Host Controller Interface (xHCI). The TUSB7340 supports up to four downstream ports. The TUSB7320 supports up to two downstream ports. Both parts are available in a pin-compatible 100-pin RKM package.

### Features and benefits

- Performance enabled by TI's leading SuperSpeed USB analog PHY technology with Rx sensitivity of less than 50 mV differential peak-to-peak, which is twice as good as required by the USB 3.0 specification, enables longer etch runs or cable lengths to be used
- USB interface designed to maximize compatibility across all USB peripheral spaces
- Full hardware solution requires no external Flash, saving up to \$1.00 (USD) in BOM cost
- USB legacy support allows for BIOS support of keyboards and mice and booting from USB drive



Devices	Description	Features
TUSB1310A	SuperSpeed USB transceiver with PIPE3/ULPI link interface	<ul style="list-style-type: none"> <li>• ULPI &amp; PIPE3 industry-standard digital interfaces</li> <li>• Receiver sensitivity 2X better than specification</li> </ul>
SN65LVPE502	SuperSpeed USB redriver with adjustable equalization and de-emphasis	<ul style="list-style-type: none"> <li>• 2-level equalization and 9-level de-emphasis</li> <li>• U2/U3 mode detection saves ~ 75% vs active power.</li> </ul>
TUSB9261	SuperSpeed USB to SATA 3-GIG bridge	<ul style="list-style-type: none"> <li>• SATA 2.6 compliant:: Gen1i, Gen1m, Gen2i, Gen2m</li> <li>• 12 GPIOs enable flexible end-product personalization</li> </ul>
TPD2EUSB30	2-channel ESD for SuperSpeed USB differential signals	<ul style="list-style-type: none"> <li>• Supports data rates in excess of 6 Gbps</li> <li>• Protection meets or exceeds IEC 61000-4-2 (Level 4)</li> </ul>
TUSB7320	x1 PCIe GenII based 2-port SuperSpeed USB xHCI controller	<ul style="list-style-type: none"> <li>• Supports USB charging port per battery charging 1.1</li> <li>• USB legacy support</li> </ul>
TUSB7340	x1 PCIe GenII based 4-port SuperSpeed USB xHCI controller	<ul style="list-style-type: none"> <li>• Supports USB charging port per battery charging 1.1</li> <li>• USB legacy support</li> </ul>
TUSB8040	SuperSpeed USB 4-port hub	<ul style="list-style-type: none"> <li>• SS/HS hub status outputs and USB 2.0 port indicators</li> <li>• Per port or ganged power management and over-current inputs option</li> </ul>

[www.ti.com/superspeedusb](http://www.ti.com/superspeedusb)



engineer.to.engineer,  
solving problems

Connect with your peers and customers to ask questions, share knowledge, explore ideas, and solve problems.  
**Join the discussion today!**

[e2e.ti.com](http://e2e.ti.com)

## TI Worldwide Technical Support

### Internet

**TI Semiconductor Product Information Center Home Page**

[support.ti.com](http://support.ti.com)

**TI E2E™ Community Home Page**

[e2e.ti.com](http://e2e.ti.com)

### Product Information Centers

<b>Americas</b>	Phone	+1(972) 644-5580
<b>Brazil</b>	Phone	0800-891-2616
<b>Mexico</b>	Phone	0800-670-7544
	Fax	+1(972) 927-6377
	Internet/Email	<a href="http://support.ti.com/sc/pic/americas.htm">support.ti.com/sc/pic/americas.htm</a>

### Europe, Middle East, and Africa

Phone		
European Free Call	00800-ASK-TEXAS (00800 275 83927)	
International	+49 (0) 8161 80 2121	
Russian Support	+7 (4) 95 98 10 701	
<b>Note:</b> The European Free Call (Toll Free) number is not active in all countries. If you have technical difficulty calling the free call number, please use the international number above.		
Fax	+49 (0) 8161 80 2045	
Internet	<a href="http://support.ti.com/sc/pic/euro.htm">support.ti.com/sc/pic/euro.htm</a>	

### Japan

Phone	Domestic	0120-92-3326
Fax	International	+81-3-3344-5317
	Domestic	0120-81-0036
Internet/Email	International	<a href="http://support.ti.com/sc/pic/japan.htm">support.ti.com/sc/pic/japan.htm</a>
	Domestic	<a href="http://www.tij.co.jp/pic">www.tij.co.jp/pic</a>

### Asia

Phone		
International		+91-80-41381665
Domestic		<u>Toll-Free Number</u>
Australia		1-800-999-084
China		800-820-8682
Hong Kong		800-96-5941
India		1-800-425-7888
Indonesia		001-803-8861-1006
Korea		080-551-2804
Malaysia		1-800-80-3973
New Zealand		0800-446-934
Philippines		1-800-765-7404
Singapore		800-886-1028
Taiwan		0800-006800
Thailand		001-800-886-0010
Fax		+886-2-2378-6808
Email		<a href="mailto:tiasia@ti.com">tiasia@ti.com</a>
		<a href="mailto:ti-china@ti.com">ti-china@ti.com</a>
Internet		<a href="http://support.ti.com/sc/pic/asia.htm">support.ti.com/sc/pic/asia.htm</a>

**Important Notice:** The products and services of Texas Instruments Incorporated and its subsidiaries described herein are sold subject to TI's standard terms and conditions of sale. Customers are advised to obtain the most current and complete information about TI products and services before placing orders. TI assumes no liability for applications assistance, customer's applications or product designs, software performance, or infringement of patents. The publication of information regarding any other company's products or services does not constitute TI's approval, warranty or endorsement thereof.

**B042210**

The platform bar, E2E, ClockPro, DaVinci, DLP, OMAP, MicroStar BGA and MicroStar Junior are trademarks of Texas Instruments. The Bluetooth word mark and logos are owned by Bluetooth SIG, Inc. and any use of such marks by Texas Instruments is under license. All other trademarks are the property of their respective owners.

## IMPORTANT NOTICE

Texas Instruments Incorporated and its subsidiaries (TI) reserve the right to make corrections, modifications, enhancements, improvements, and other changes to its products and services at any time and to discontinue any product or service without notice. Customers should obtain the latest relevant information before placing orders and should verify that such information is current and complete. All products are sold subject to TI's terms and conditions of sale supplied at the time of order acknowledgment.

TI warrants performance of its hardware products to the specifications applicable at the time of sale in accordance with TI's standard warranty. Testing and other quality control techniques are used to the extent TI deems necessary to support this warranty. Except where mandated by government requirements, testing of all parameters of each product is not necessarily performed.

TI assumes no liability for applications assistance or customer product design. Customers are responsible for their products and applications using TI components. To minimize the risks associated with customer products and applications, customers should provide adequate design and operating safeguards.

TI does not warrant or represent that any license, either express or implied, is granted under any TI patent right, copyright, mask work right, or other TI intellectual property right relating to any combination, machine, or process in which TI products or services are used. Information published by TI regarding third-party products or services does not constitute a license from TI to use such products or services or a warranty or endorsement thereof. Use of such information may require a license from a third party under the patents or other intellectual property of the third party, or a license from TI under the patents or other intellectual property of TI.

Reproduction of TI information in TI data books or data sheets is permissible only if reproduction is without alteration and is accompanied by all associated warranties, conditions, limitations, and notices. Reproduction of this information with alteration is an unfair and deceptive business practice. TI is not responsible or liable for such altered documentation. Information of third parties may be subject to additional restrictions.

Resale of TI products or services with statements different from or beyond the parameters stated by TI for that product or service voids all express and any implied warranties for the associated TI product or service and is an unfair and deceptive business practice. TI is not responsible or liable for any such statements.

TI products are not authorized for use in safety-critical applications (such as life support) where a failure of the TI product would reasonably be expected to cause severe personal injury or death, unless officers of the parties have executed an agreement specifically governing such use. Buyers represent that they have all necessary expertise in the safety and regulatory ramifications of their applications, and acknowledge and agree that they are solely responsible for all legal, regulatory and safety-related requirements concerning their products and any use of TI products in such safety-critical applications, notwithstanding any applications-related information or support that may be provided by TI. Further, Buyers must fully indemnify TI and its representatives against any damages arising out of the use of TI products in such safety-critical applications.

TI products are neither designed nor intended for use in military/aerospace applications or environments unless the TI products are specifically designated by TI as military-grade or "enhanced plastic." Only products designated by TI as military-grade meet military specifications. Buyers acknowledge and agree that any such use of TI products which TI has not designated as military-grade is solely at the Buyer's risk, and that they are solely responsible for compliance with all legal and regulatory requirements in connection with such use.

TI products are neither designed nor intended for use in automotive applications or environments unless the specific TI products are designated by TI as compliant with ISO/TS 16949 requirements. Buyers acknowledge and agree that, if they use any non-designated products in automotive applications, TI will not be responsible for any failure to meet such requirements.

Following are URLs where you can obtain information on other Texas Instruments products and application solutions:

<b>Products</b>		<b>Applications</b>	
Amplifiers	<a href="http://amplifier.ti.com">amplifier.ti.com</a>	Audio	<a href="http://www.ti.com/audio">www.ti.com/audio</a>
Data Converters	<a href="http://dataconverter.ti.com">dataconverter.ti.com</a>	Automotive	<a href="http://www.ti.com/automotive">www.ti.com/automotive</a>
DLP® Products	<a href="http://www.dlp.com">www.dlp.com</a>	Communications and Telecom	<a href="http://www.ti.com/communications">www.ti.com/communications</a>
DSP	<a href="http://dsp.ti.com">dsp.ti.com</a>	Computers and Peripherals	<a href="http://www.ti.com/computers">www.ti.com/computers</a>
Clocks and Timers	<a href="http://www.ti.com/clocks">www.ti.com/clocks</a>	Consumer Electronics	<a href="http://www.ti.com/consumer-apps">www.ti.com/consumer-apps</a>
Interface	<a href="http://interface.ti.com">interface.ti.com</a>	Energy	<a href="http://www.ti.com/energy">www.ti.com/energy</a>
Logic	<a href="http://logic.ti.com">logic.ti.com</a>	Industrial	<a href="http://www.ti.com/industrial">www.ti.com/industrial</a>
Power Mgmt	<a href="http://power.ti.com">power.ti.com</a>	Medical	<a href="http://www.ti.com/medical">www.ti.com/medical</a>
Microcontrollers	<a href="http://microcontroller.ti.com">microcontroller.ti.com</a>	Security	<a href="http://www.ti.com/security">www.ti.com/security</a>
RFID	<a href="http://www.ti-rfid.com">www.ti-rfid.com</a>	Space, Avionics & Defense	<a href="http://www.ti.com/space-avionics-defense">www.ti.com/space-avionics-defense</a>
RF/IF and ZigBee® Solutions	<a href="http://www.ti.com/lprf">www.ti.com/lprf</a>	Video and Imaging	<a href="http://www.ti.com/video">www.ti.com/video</a>
		Wireless	<a href="http://www.ti.com/wireless-apps">www.ti.com/wireless-apps</a>

Mailing Address: Texas Instruments, Post Office Box 655303, Dallas, Texas 75265  
Copyright © 2010, Texas Instruments Incorporated