

# Electronic Point of Service Solutions

## Enterprise Tablet Reference Design



[www.ti.com/etablet](http://www.ti.com/etablet)



# Enterprise Tablet Reference Design

Get to market fast with your customized application specific TABLET



**Sample Unit MSRP:** US\$ 999

**BOM:** <\$70 (for 100 KU)

**Availability:** Now

Customize to your needs:

- Enterprise / Retail
- Health care
- Hospitality
- Home/Building automation
- Education & Toys

KEY FEATURES

- TI's ARM Cortex®-A8 Processors (Sitara™ AM3354)
- DDR 3 Memory – 512MBytes (upgradeable 1G Bytes)
- Nand Flash – 512 Mbytes
- Micro-SD Card – Expandable up to 4GB
- WiFi + BT on Board (Jorjin Module)
- High Speed USB Host Port
- USB OTG Port
- 3 MP camera (optional)
- 7" LCD with Capacitive touch screen
- WVGA display (800x480)
- Android ICS 4.0 / Linux 2.6 OS
- 3300 mAHr capacity battery with Protection circuit

Developed, sold and supported by TI partner

**AllGo Embedded Systems Pvt. Ltd.**

# Application Specific Low Cost Tablets with Enterprise Tablet Reference Design



## Enterprise/Retail

- Inventory Mgmt/Fleet Mgmt
- Digital Retail Catalog



## Healthcare

- Electronic Medical Records
- Digital Imaging



## Automation

- Home automation panel
- Building management



## Toys/Gaming

- Toy look and feel
- Educational/Creative tools



## Education

- Digitized books, interactive
- Mostly Government initiatives



## Hospitality

- Hotel Room Service
- Restaurant table service

# Enterprise Tablet - System Block Diagram

## Reference Designs/Tools

- Enterprise Tablet Reference Design Kit

## Key Software

- OS: Android Ice Cream
- Graphics: OpenGL ES2.0
- Audio Decoder: MP3, AAC
- Video: MPEG4, H.264

## Embedded Processors

### ARM® Cortex™ – A8

- AM335x
- AM35xx
- AM37xx/DM37xx

## Power Management

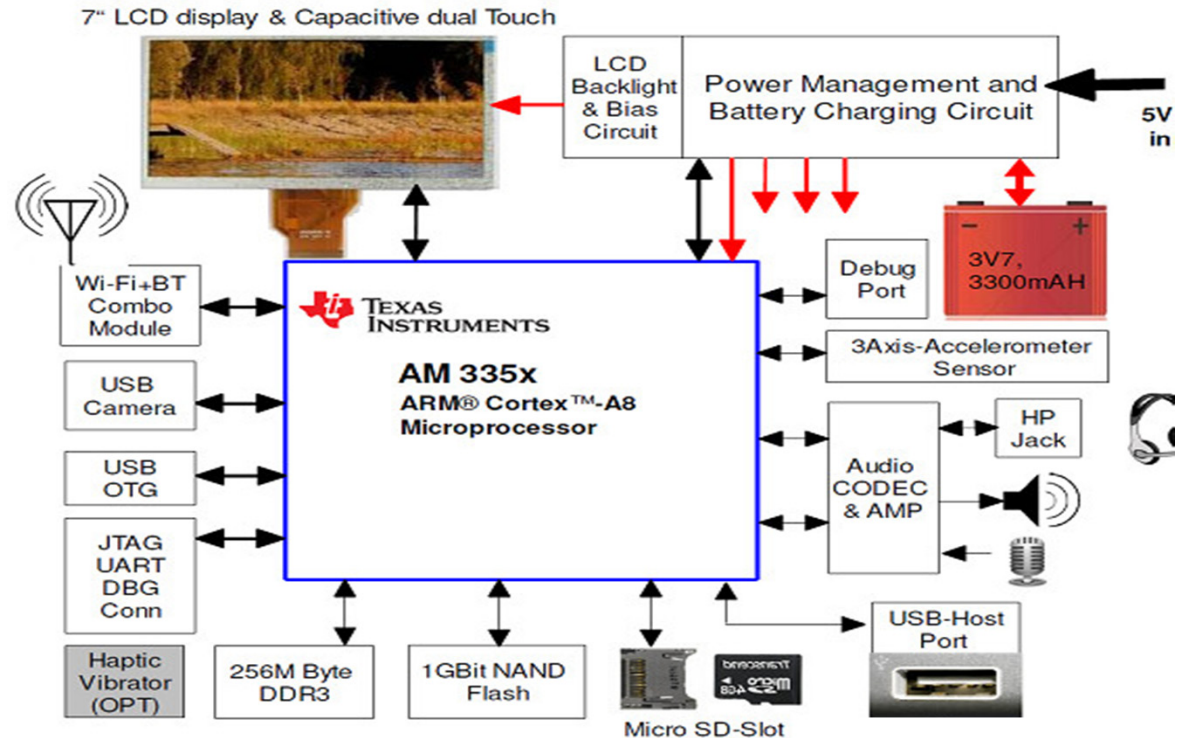
- **TPS65xxx** - Integrated Power management IC for battery power management
- **BQ24xxx** - Synchronous Switch-Mode Li-Ion and Li-Polymer Stand-Alone Battery Charge

## Interface/Connectivity

- **WL12xx** - WLAN 802.11 b/g/n & Bluetooth v2.1+EDR Transceiver

## Other SC products

- **AIC31xx** – Audio Codec
- **TPS61xxx** – LED Driver
- **TPS63xxx** – Buck Converter
- **TPA721** – Audio Amplifier



# Sitara™ ARM® Processors: Getting Started

- **Product Information, User Guides and Apps notes**
  - [Sitara ARM® Processors](#) – AM335x, AM37x, AM35x
  - [Power Management ICs](#) – TPS65920/21, TPS65950/51
  - [WLAN and Bluetooth](#) - WL1271, WL1281 modules from TI Partners
- **Hardware Development Kits**
  - [AM335x Evaluation Module](#)
  - [AM335x Starter Kit](#)
  - [AM37x Evaluation Module](#)
- **Software Development Kits**
  - [Linux SDK](#) for AM335x
  - [Android SDK](#) for AM335x
- **On-Demand Support**
  - [Open Source software Portal](#)
  - [TI Sitara Wiki page](#)
  - [E2E forum for Sitara](#)
  - Enterprise Tablet Email support: [tabletrdk@list.ti.com](mailto:tabletrdk@list.ti.com)

# Enterprise Tablet RDK: Business Model and Pricing

# Enterprise Tablet: What do you get?

## Hardware

- AM3354 Enterprise Tablet Reference Design Kit. The Kit will include the following
  - One Enterprise Tablet DRK unit
  - AC (universal) charger
  - Quick Start/Setup guide
  - Online download of design files after registration including PCB Layout and Mechanical files, BSP and example application software, BOM and other documentation

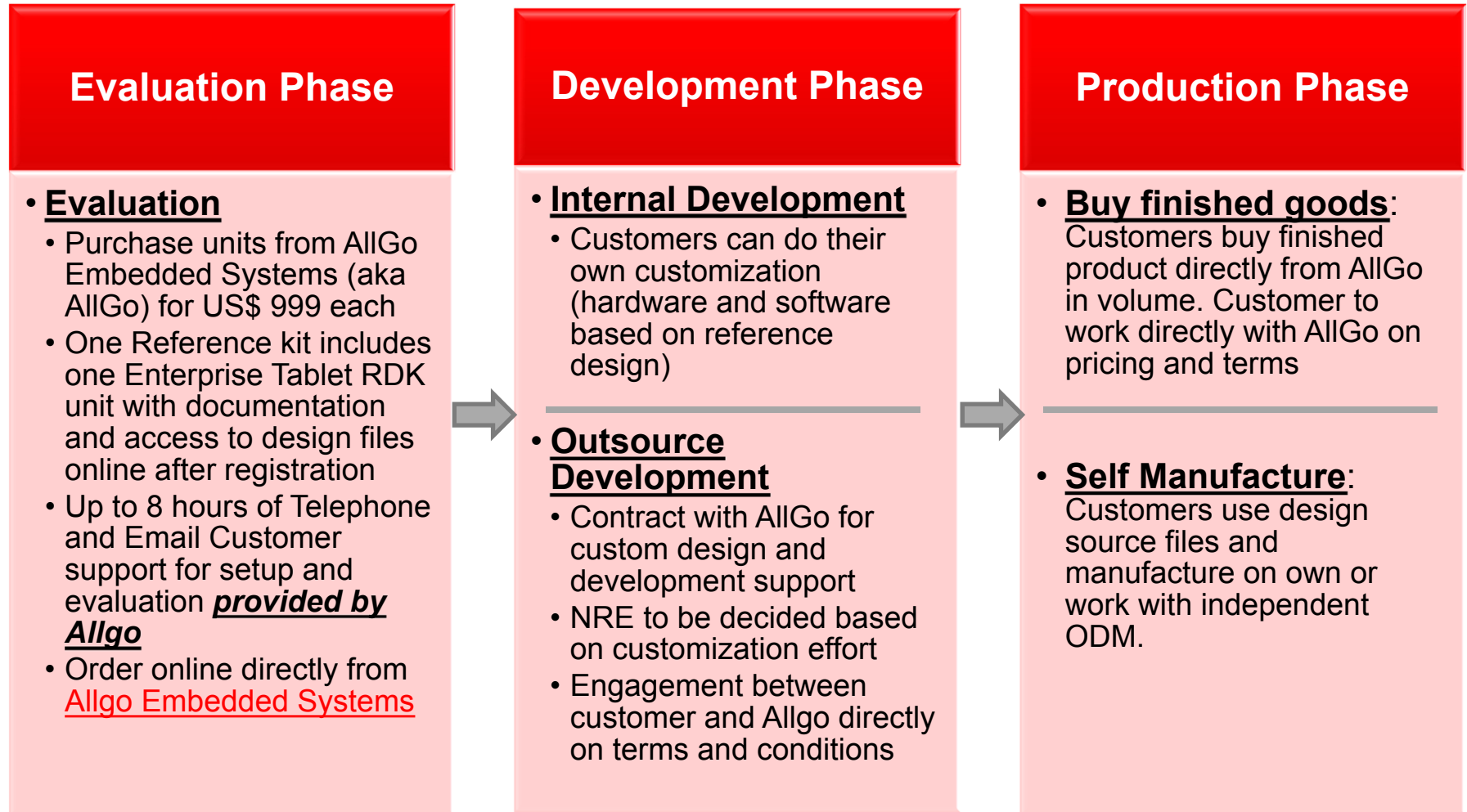
## Software/Firmware

- Production quality Android ICS4.0 or Linux 2.6 OS with source code for board support package

**Note:** Kit purchase includes a unit with plastic enclosure. But the purchase WILL NOT include the manufacturing MOULD for the plastic enclosure

**ACCESS** to documents/software is provided via **INTERNET DOWNLOAD** through third party; once user has purchased **ONE** evaluation unit, download access will be granted.

# Enterprise Tablet: Customer Business Model





# TI Partner Profile

## AllGo Embedded Systems Pvt. Ltd.

Allgo Embedded based out of India is a leading developer of embedded technology solutions. Allgo has extensive experience in delivering turn key solutions from concept to production. Current areas of expertise cover many market segments including multi-media, automotive infotainment and vision applications.

### Contact Information:

#### **AllGo Embedded Systems Pvt. Ltd.**

2729, 80 feet road,

HAL 3rd stage, Indira nagar,

Bangalore - 560038, India

Tel: +91 80 43303100/3139

India/Singapore/Korea: Hasan Munshi, [hasan@allgosystems.com](mailto:hasan@allgosystems.com)

Taiwan: Vincent Chou, [vincentchou@radianstar.com.tw](mailto:vincentchou@radianstar.com.tw)

US/Europe: Aji Anirudhan [aji@allgosystems.com](mailto:aji@allgosystems.com)



# AllGo Value Added Services

## Custom product development

- Product specific BOM optimized board
- Android customization
- Application development
- Volume production through a CM partner

## Software

- Customized home screen
- Back-end server integration
- Video analytics

([www.allgovision.com](http://www.allgovision.com))

## Hardware / drivers

- Camera/I2C, Resistive touch panel, Ethernet, Wifi direct
- Finger print scanner, IRIS detection, GPS, 3G for different carriers, NFC
- Barcode / Mag card / Smartcard / RFID readers, thermal printer, QR code scanner
- Zigbee, proximity sensors
- BT LE



Visit [ti.com/etablet](https://ti.com/etablet) for more information  
Email [tabletrdk@list.ti.com](mailto:tabletrdk@list.ti.com) for any questions

## IMPORTANT NOTICE

Texas Instruments Incorporated and its subsidiaries (TI) reserve the right to make corrections, enhancements, improvements and other changes to its semiconductor products and services per JESD46, latest issue, and to discontinue any product or service per JESD48, latest issue. Buyers should obtain the latest relevant information before placing orders and should verify that such information is current and complete. All semiconductor products (also referred to herein as "components") are sold subject to TI's terms and conditions of sale supplied at the time of order acknowledgment.

TI warrants performance of its components to the specifications applicable at the time of sale, in accordance with the warranty in TI's terms and conditions of sale of semiconductor products. Testing and other quality control techniques are used to the extent TI deems necessary to support this warranty. Except where mandated by applicable law, testing of all parameters of each component is not necessarily performed.

TI assumes no liability for applications assistance or the design of Buyers' products. Buyers are responsible for their products and applications using TI components. To minimize the risks associated with Buyers' products and applications, Buyers should provide adequate design and operating safeguards.

TI does not warrant or represent that any license, either express or implied, is granted under any patent right, copyright, mask work right, or other intellectual property right relating to any combination, machine, or process in which TI components or services are used. Information published by TI regarding third-party products or services does not constitute a license to use such products or services or a warranty or endorsement thereof. Use of such information may require a license from a third party under the patents or other intellectual property of the third party, or a license from TI under the patents or other intellectual property of TI.

Reproduction of significant portions of TI information in TI data books or data sheets is permissible only if reproduction is without alteration and is accompanied by all associated warranties, conditions, limitations, and notices. TI is not responsible or liable for such altered documentation. Information of third parties may be subject to additional restrictions.

Resale of TI components or services with statements different from or beyond the parameters stated by TI for that component or service voids all express and any implied warranties for the associated TI component or service and is an unfair and deceptive business practice. TI is not responsible or liable for any such statements.

Buyer acknowledges and agrees that it is solely responsible for compliance with all legal, regulatory and safety-related requirements concerning its products, and any use of TI components in its applications, notwithstanding any applications-related information or support that may be provided by TI. Buyer represents and agrees that it has all the necessary expertise to create and implement safeguards which anticipate dangerous consequences of failures, monitor failures and their consequences, lessen the likelihood of failures that might cause harm and take appropriate remedial actions. Buyer will fully indemnify TI and its representatives against any damages arising out of the use of any TI components in safety-critical applications.

In some cases, TI components may be promoted specifically to facilitate safety-related applications. With such components, TI's goal is to help enable customers to design and create their own end-product solutions that meet applicable functional safety standards and requirements. Nonetheless, such components are subject to these terms.

No TI components are authorized for use in FDA Class III (or similar life-critical medical equipment) unless authorized officers of the parties have executed a special agreement specifically governing such use.

Only those TI components which TI has specifically designated as military grade or "enhanced plastic" are designed and intended for use in military/aerospace applications or environments. Buyer acknowledges and agrees that any military or aerospace use of TI components which have **not** been so designated is solely at the Buyer's risk, and that Buyer is solely responsible for compliance with all legal and regulatory requirements in connection with such use.

TI has specifically designated certain components as meeting ISO/TS16949 requirements, mainly for automotive use. In any case of use of non-designated products, TI will not be responsible for any failure to meet ISO/TS16949.

### Products

Audio	<a href="http://www.ti.com/audio">www.ti.com/audio</a>
Amplifiers	<a href="http://amplifier.ti.com">amplifier.ti.com</a>
Data Converters	<a href="http://dataconverter.ti.com">dataconverter.ti.com</a>
DLP® Products	<a href="http://www.dlp.com">www.dlp.com</a>
DSP	<a href="http://dsp.ti.com">dsp.ti.com</a>
Clocks and Timers	<a href="http://www.ti.com/clocks">www.ti.com/clocks</a>
Interface	<a href="http://interface.ti.com">interface.ti.com</a>
Logic	<a href="http://logic.ti.com">logic.ti.com</a>
Power Mgmt	<a href="http://power.ti.com">power.ti.com</a>
Microcontrollers	<a href="http://microcontroller.ti.com">microcontroller.ti.com</a>
RFID	<a href="http://www.ti-rfid.com">www.ti-rfid.com</a>
OMAP Applications Processors	<a href="http://www.ti.com/omap">www.ti.com/omap</a>
Wireless Connectivity	<a href="http://www.ti.com/wirelessconnectivity">www.ti.com/wirelessconnectivity</a>

### Applications

Automotive and Transportation	<a href="http://www.ti.com/automotive">www.ti.com/automotive</a>
Communications and Telecom	<a href="http://www.ti.com/communications">www.ti.com/communications</a>
Computers and Peripherals	<a href="http://www.ti.com/computers">www.ti.com/computers</a>
Consumer Electronics	<a href="http://www.ti.com/consumer-apps">www.ti.com/consumer-apps</a>
Energy and Lighting	<a href="http://www.ti.com/energy">www.ti.com/energy</a>
Industrial	<a href="http://www.ti.com/industrial">www.ti.com/industrial</a>
Medical	<a href="http://www.ti.com/medical">www.ti.com/medical</a>
Security	<a href="http://www.ti.com/security">www.ti.com/security</a>
Space, Avionics and Defense	<a href="http://www.ti.com/space-avionics-defense">www.ti.com/space-avionics-defense</a>
Video and Imaging	<a href="http://www.ti.com/video">www.ti.com/video</a>

### TI E2E Community

[e2e.ti.com](http://e2e.ti.com)