

Regulating Pulse Width Modulator

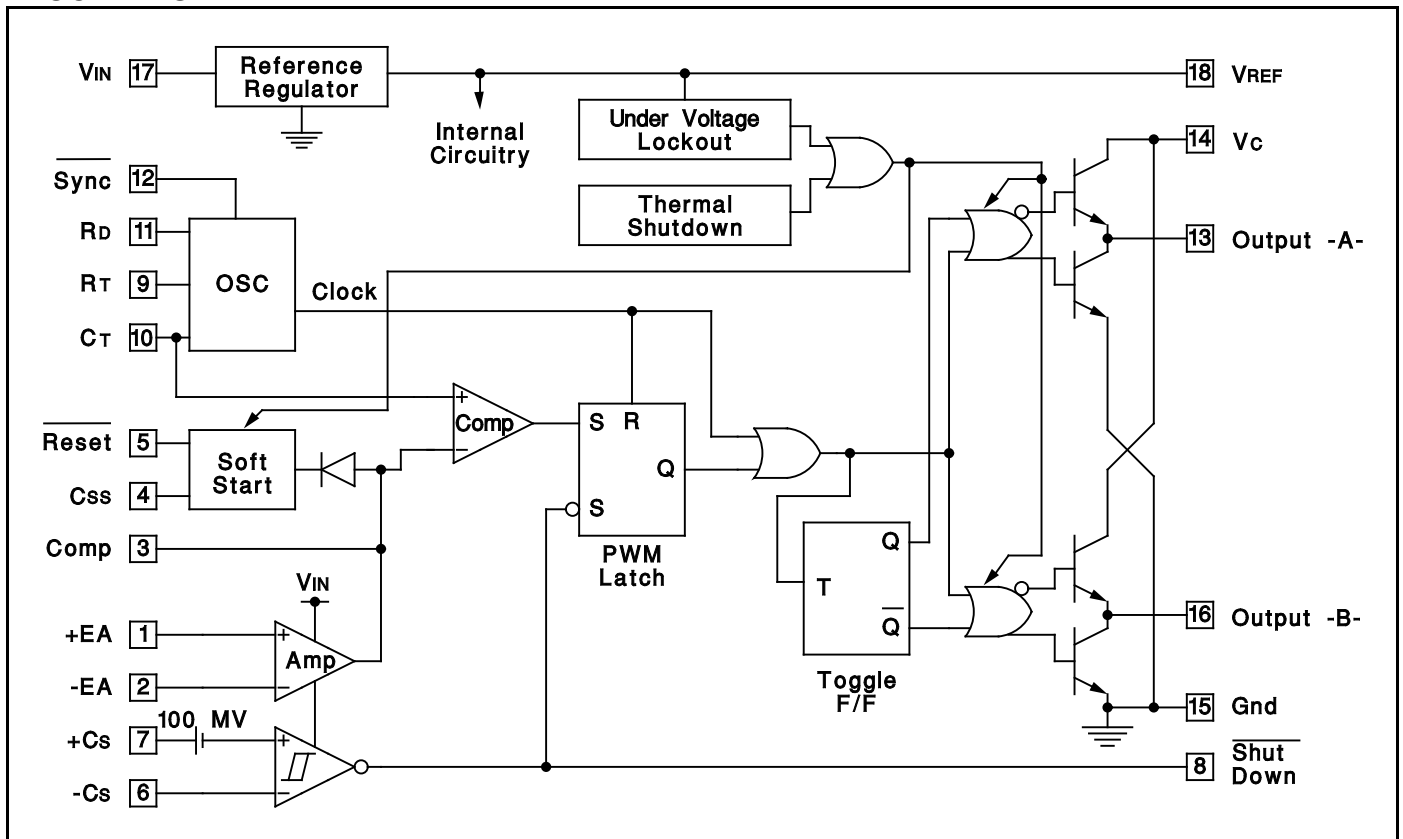
FEATURES

- 8 To 35V Operation
- 5V Reference Trimmed To $\pm 1\%$
- 1Hz To 400kHz Oscillator Range
- Dual 100mA Source/Sink Outputs
- Digital Current Limiting
- Double Pulse Suppression
- Programmable Deadtime
- Under-Voltage Lockout
- Single Pulse Metering
- Programmable Soft-Start
- Wide Current Limit Common Mode Range
- TTL/CMOS Compatible Logic Ports
- Symmetry Correction Capability
- Guaranteed 6 Unit Synchronization

DESCRIPTION

The UC1526 is a high performance monolithic pulse width modulator circuit designed for fixed-frequency switching regulators and other power control applications. Included in an 18-pin dual-in-line package are a temperature compensated voltage reference, sawtooth oscillator, error amplifier, pulse width modulator, pulse metering and setting logic, and two low impedance power drivers. Also included are protective features such as soft-start and under-voltage lockout, digital current limiting, double pulse inhibit, a data latch for single pulse metering, adjustable deadtime, and provision for symmetry correction inputs. For ease of interface, all digital control ports are TTL and B-series CMOS compatible. Active LOW logic design allows wired-OR connections for maximum flexibility. This versatile device can be used to implement single-ended or push-pull switching regulators of either polarity, both transformerless and transformer coupled. The UC1526 is characterized for operation over the full military temperature range of -55°C to $+125^{\circ}\text{C}$. The UC2526 is characterized for operation from -25°C to $+85^{\circ}\text{C}$, and the UC3526 is characterized for operation from 0° to $+70^{\circ}\text{C}$.

BLOCK DIAGRAM



ABSOLUTE MAXIMUM RATINGS (Note 1, 2)

Input Voltage (+VIN)	+40V
Collector Supply Voltage (+Vc)	+40V
Logic Inputs	-0.3V to +5.5V
Analog Inputs	-0.3V to +VIN
Source/Sink Load Current (each output)	200mA
Reference Load Current	50mA
Logic Sink Current	15mA
Power Dissipation at TA = +25°C (Note 2)	1000mW
Power Dissipation at Tc = +25°C (Note 2)	3000mW
Operating Junction Temperature	+150°C
Storage Temperature Range	-65°C to +150°C
Lead Temperature (soldering, 10 seconds)	+300°C

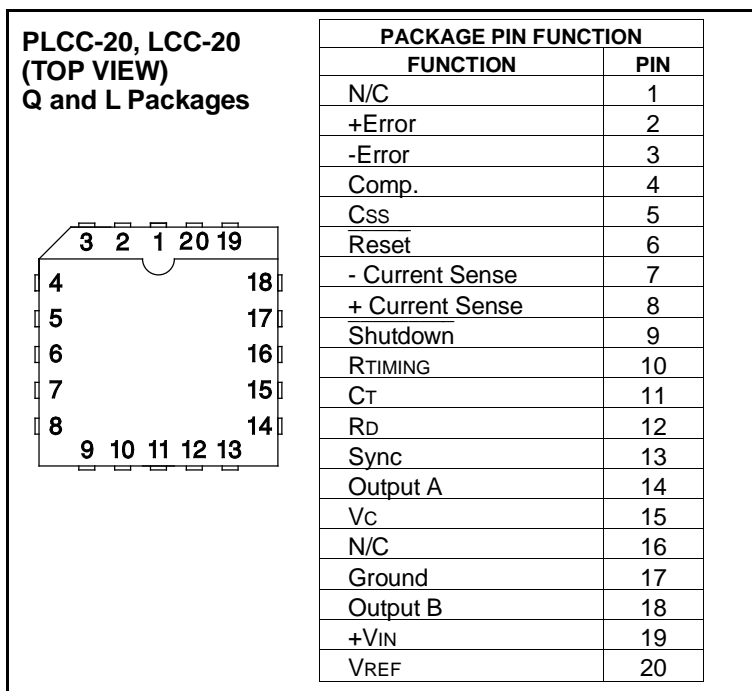
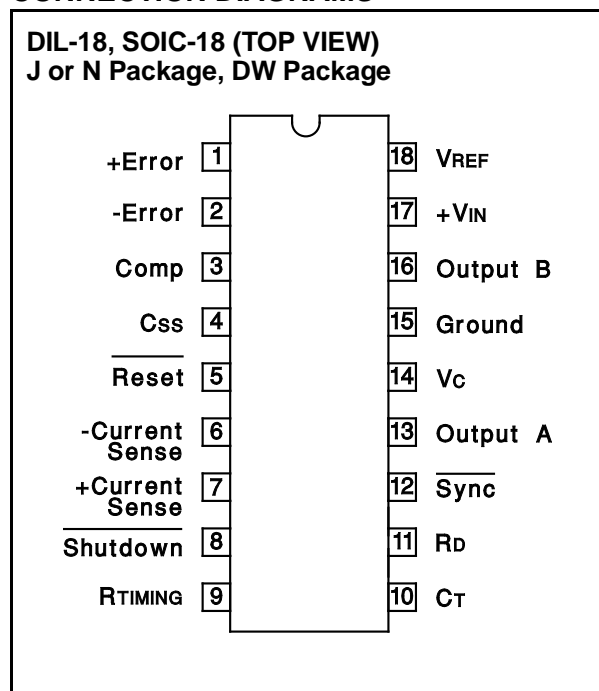
Note 1: Values beyond which damage may occur.
 Note 2: Consult packaging section of databook for thermal limitations and considerations of package.

RECOMMENDED OPERATING CONDITIONS (Note 3)

Input Voltage	+8V to +35V
Collector Supply Voltage	+4.5V to +35V
Sink/Source Load Current (each output)	0 to 100mA
Reference Load Current	0 to 20mA
Oscillator Frequency Range	1Hz to 400kHz
Oscillator Timing Resistor	2kΩ to 150kΩ
Oscillator Timing Capacitor	1nF to 20μF
Available Deadtime Range at 40kHz	3% to 50%
Operating Ambient Temperature Range	
UC1526	-55°C to +125°C
UC2526	-25°C to +85°C
UC3526	-0°C to +70°C

Note 3: Range over which the device is functional and parameter limits are guaranteed.

CONNECTION DIAGRAMS



ELECTRICAL CHARACTERISTICS: +VIN = 15V, and over operating ambient temperature, unless otherwise specified, TA = Tj.

PARAMETER	TEST CONDITIONS	UC1526 / UC2526			UC3526			UNITS
		MIN	TYP	MAX	MIN	TYP	MAX	
Reference Section (Note 4)								
Output Voltage	TJ = + 25°C	4.95	5.00	5.05	4.90	5.00	5.10	V
Line Regulation	+VIN = 8 to 35V		10	20		10	30	mV
Load Regulation	IL = 0 to 20mA		10	30		10	50	mV
Temperature Stability	Over Operating TJ		15	50		15	50	mV
Total Output Voltage Range	Over Recommended Operating Conditions	4.90	5.00	5.10	4.85	5.00	5.15	V
Short Circuit Current	VREF = 0V	25	50	100	25	50	100	mA
Under -Voltage Lockout								
RESET Output Voltage	VREF = 3.8V		0.2	0.4		0.2	0.4	V
	VREF = 4.8V	2.4	4.8		2.4	4.8		V

Note 4: IL = 0mA.

ELECTRICAL CHARACTERISTICS: +VIN = 15V, and over operating ambient temperature, unless otherwise specified, TA = TJ.

PARAMETER	TEST CONDITIONS	UC1526 / UC2526			UC3526			UNITS
		MIN	TYP	MAX	MIN	TYP	MAX	
Oscillator Section (Note 5)								
Initial Accuracy	TJ = + 25°C		±3	±8		±3	±8	%
Voltage Stability	+VIN = 8 to 35V		0.5	1		0.5	1	%
Temperature Stability	Over Operating TJ		7	10		3	5	%
Minimum Frequency	RT = 150kΩ, CT = 20μF			1			1	Hz
Maximum Frequency	RT = 2kΩ, CT = 1.0nF	400			400			kHz
Sawtooth Peak Voltage	+VIN = 35V		3.0	3.5		3.0	3.5	V
Sawtooth Valley Voltage	+VIN = 8V	0.5	1.0		0.5	1.0		V
Error Amplifier Section (Note 6)								
Input Offset Voltage	Rs ≤ 2kΩ		2	5		2	10	mV
Input Bias Current			-350	-1000		-350	-2000	nA
Input Offset Current			35	100		35	200	nA
DC Open Loop Gain	RL ≥ 10MΩ	64	72		60	72		dB
HIGH Output Voltage	VPIN1-VPIN2 ≥ 150mV, ISOURCE = 100μA	3.6	4.2		3.6	4.2		V
LOW Output Voltage	VPIN2-VPIN1 ≥ 150mV, ISINK = 100μA		0.2	0.4		0.2	0.4	V
Common Mode Rejection	Rs ≤ 12kΩ	70	94		70	94		dB
Supply Voltage Rejection	+VIN = 12 to 18V	66	80		66	80		dB
PWM Comparator (Note 5)								
Minimum Duty Cycle	VCOMPENSATION = +0.4V			0			0	%
Maximum Duty Cycle	VCOMPENSATION = +3.6V	45	49		45	49		%
Digital Ports (SYNC, SHUTDOWN, and RESET)								
HIGH Output Voltage	ISOURCE = 40μA	2.4	4.0		2.4	4.0		V
LOW Output Voltage	ISINK = 3.6mA		0.2	0.4		0.2	0.4	V
HIGH Input Current	VIH = +2.4V		-125	-200		-125	-200	μA
LOW Input Current	VIL = +0.4V		-225	-360		-225	-360	μA
Current Limit Comparator (Note 7)								
Sense Voltage	Rs ≤ 50Ω	90	100	110	80	100	120	mV
Input Bias Current			-3	-10		-3	-10	μA
Soft-Start Section								
Error Clamp Voltage	RESET = +0.4V		0.1	0.4		0.1	0.4	V
Cs Charging Current	RESET = +2.4V	50	100	150	50	100	150	μA
Output Drivers (Each Output) (Note 8)								
HIGH Output Voltage	ISOURCE = 20mA	12.5	13.5		12.5	13.5		V
	ISOURCE = 100mA	12	13		12	13		V
LOW Output Voltage	ISINK = 20mA		0.2	0.3		0.2	0.3	V
	ISINK = 100mA		1.2	2.0		1.2	2.0	V
Collector Leakage	VC = 40V		50	150		50	150	μA
Rise Time	CL = 1000pF		0.3	0.6		0.3	0.6	μs
Fall Time	CL = 1000pF		0.1	0.2		0.1	0.2	μs
Power Consumption (Note 9)								
Standby Current	SHUTDOWN = +0.4V		18	30		18	30	mA

Note 4: IL = 0mA.

Note 5: FOSC = 40kHz (RT = 4.12kΩ ± 1%, CT = 0.1μF ± 1%, RD = 0Ω)

Note 6: VCM = 0 to +5.2V

Note 8: VC = +15V

Note 9: +VIN = +35V, RT = 4.12kΩ

APPLICATIONS INFORMATION

Voltage Reference

The reference regulator of the UC1526 is based on a temperature compensated zener diode. The circuitry is fully active at supply voltages above +8V, and provides up to 20mA of load current to external circuitry at +5.0V. In systems where additional current is required, an external PNP transistor can be used to boost the available current. A rugged low frequency audio-type transistor should be used, and lead lengths between the PWM and transistor should be as short as possible to minimize the risk of oscillations. Even so, some types of transistors may require collector-base capacitance for stability. Up to 1 amp of load current can be obtained with excellent regulation if the device selected maintains high current gain.

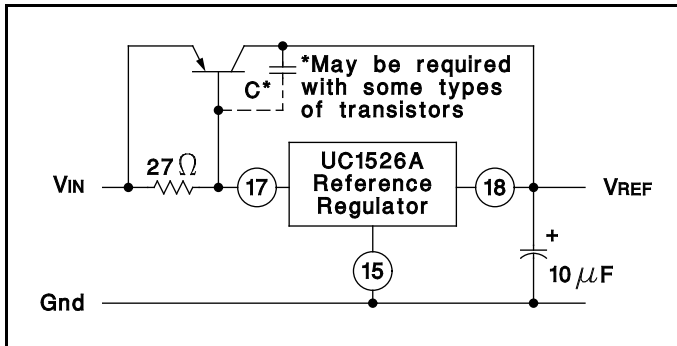


Figure 1. Extending Reference Output Current

Under-Voltage Lockout

The under-voltage lockout circuit protects the UC1526 and the power devices it controls from inadequate supply voltage. If +V_{IN} is too low, the circuit disables the output drivers and holds the $\overline{\text{RESET}}$ pin LOW. This prevents spurious output pulses while the control circuitry is stabilizing, and holds the soft-start timing capacitor in a discharged state.

The circuit consists of a +1.2V bandgap reference and comparator circuit which is active when the reference voltage has risen to 3V_{BE} or +1.8V at 25°C. When the reference voltage rises to approximately +4.4V, the circuit enables the output drivers and releases the $\overline{\text{RESET}}$ pin, allowing a normal soft-start. The comparator has 200mV of hysteresis to minimize oscillation at the trip point. When +V_{IN} to the PWM is removed and the reference drops to +4.2V, the under-voltage circuit pulls $\overline{\text{RESET}}$ LOW again. The soft-start capacitor is immediately discharged, and the PWM is ready for another soft-start cycle.

The UC1526 can operate from a +5V supply by connecting the VREF pin to the +V_{IN} pin and maintaining the supply between +4.8 and +5.2V.

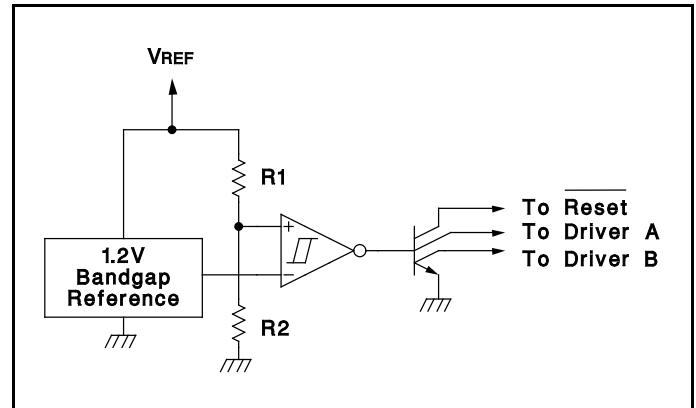


Figure 2. Under-Voltage Lockout Schematic

Soft-Start Circuit

The soft-start circuit protects the power transistors and rectifier diodes from high current surges during power supply turn-on. When supply voltage is first applied to the UC1526, the under-voltage lockout circuit holds $\overline{\text{RESET}}$ LOW with Q3. Q1 is turned on, which holds the soft-start capacitor voltage at zero. The second collector of Q1 clamps the output of the error amplifier to ground, guaranteeing zero duty cycle at the driver outputs. When the supply voltage reaches normal operating range, $\overline{\text{RESET}}$ will go HIGH. Q1 turns off, allowing the internal 100mA current source to charge C_s. Q2 clamps the error amplifier output to 1V_{BE} above the voltage on C_s. As the soft-start voltage ramps up to +5V, the duty cycle of the PWM linearly increases to whatever value the voltage regulation loop requires for an error null.

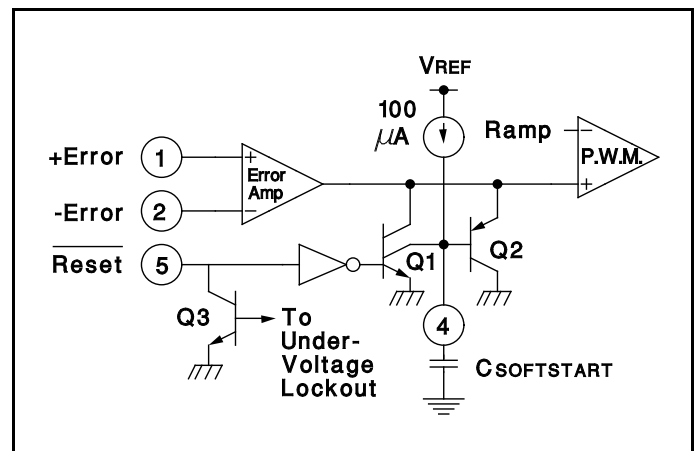


Figure 3. Soft-Start Circuit Schematic

Digital Control Ports

The three digital control ports of the UC1526 are bi-directional. Each pin can drive TTL and 5V CMOS logic directly, up to a fan-out of 10 low-power Schottky gates. Each pin can also be directly driven by open-collector

APPLICATIONS INFORMATION (cont.)

TTL, open-drain CMOS, and open-collector voltage comparators; fan-in is equivalent to 1 low-power Schottky gate. Each port is normally HIGH; the pin is pulled LOW to activate the particular function. Driving $\overline{\text{SYNC}}$ LOW initiates a discharge cycle in the oscillator. Pulling $\overline{\text{SHUTDOWN}}$ LOW immediately inhibits all PWM output pulses. Holding $\overline{\text{RESET}}$ LOW discharges the soft-start capacitor. The logic threshold is +1.1V at +25°C. Noise immunity can be gained at the expense of fan-out with an external 2k pull-up resistor to +5V.

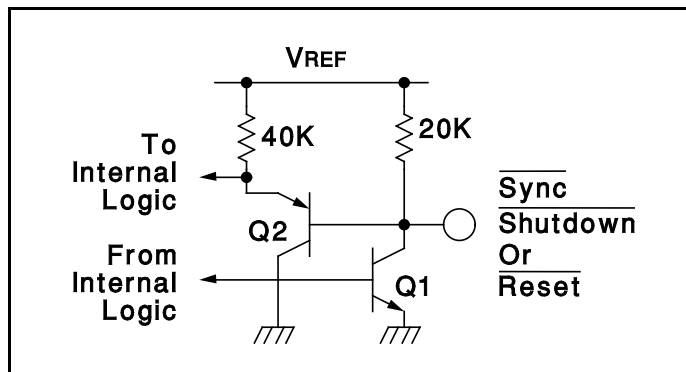


Figure 4. Digital Control Port Schematic

Oscillator

The oscillator is programmed for frequency and dead time with three components: R_T , C_T and R_D . Two waveforms are generated: a sawtooth waveform at pin 10 for pulse width modulation, and a logic clock at pin 12. The following procedure is recommended for choosing timing values:

1. With $R_D = 0$ (pin 11 shorted to ground) select values for R_T and C_T from Figure 7 to give the desired oscillator period. Remember that the frequency at each driver output is half the oscillator frequency, and the frequency at the +Vc terminal is the same as the oscillator frequency.
2. If more dead time is required, select a large value of R_D . At 40kHz dead time increases by 400ns/ Ω .
3. Increasing the dead time will cause the oscillator frequency to decrease slightly. Go back and decrease the value of R_T slightly to bring the frequency back to the nominal design value.

The UC1526 can be synchronized to an external logic clock by programming the oscillator to free-run at a frequency 10% slower than the sync frequency. A periodic LOW logic pulse approximately 0.5 μ s wide at the $\overline{\text{SYNC}}$ pin will then lock the oscillator to the external frequency.

Multiple devices can be synchronized together by programming one master unit for the desired frequency and then sharing its sawtooth and clock waveforms with the slave units. All C_T terminals are connected to the C_T pin of the master, and all $\overline{\text{SYNC}}$ terminals are likewise connected to the $\overline{\text{SYNC}}$ pin of the master. Slave R_T terminals are left open or connected to V_{REF} . Slave R_D terminals may be either left open or grounded.

Error Amplifier

The error amplifier is a transconductance design, with an output impedance of 2M Ω . Since all voltage gain takes place at the output pin, the open-loop gain/frequency characteristics can be controlled with shunt reactance to ground. When compensated for unity-gain stability with 100pF, the amplifier has an open-loop pole at 800Hz.

The input connections to the error amplifier are determined by the polarity of the switching supply output voltage. For positive supplies, the common-mode voltage is +5.0V and the feedback connections in Figure 6A are used. With negative supplies, the common-mode voltage is ground and the feedback divider is connected between the negative output and the +5.0V reference voltage, as shown in Figure 6B.

Output Drivers

The totem-pole output drivers of the UC1526 are designed to source and sink 100mA continuously and 200mA peak. Loads can be driven either from the output pins 13 and 16, or from the +Vc, as required.

Since the bottom transistor of the totem-pole is allowed to saturate, there is a momentary conduction path from the +Vc terminal to ground during switching. To limit the resulting current spikes a small resistor in series with pin 14 is always recommended. The resistor value is determined by the driver supply voltage, and should be chosen for 200mA peak currents.

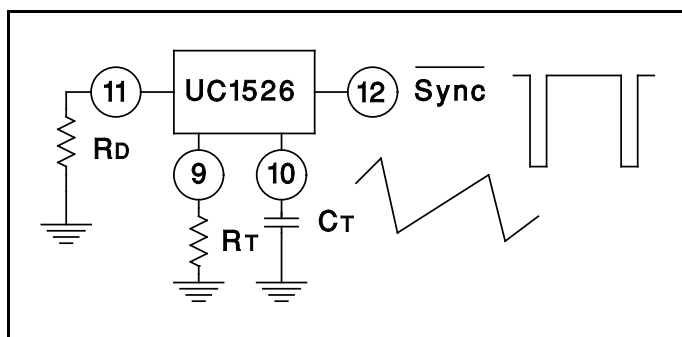


Figure 5. Oscillator Connections and Waveforms

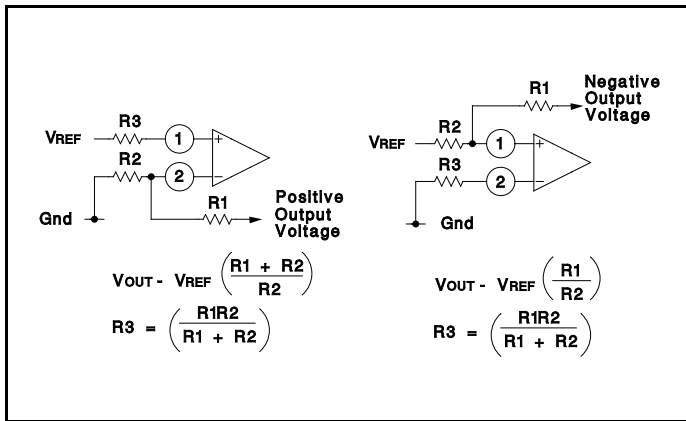


Figure 6. Error Amplifier Connections

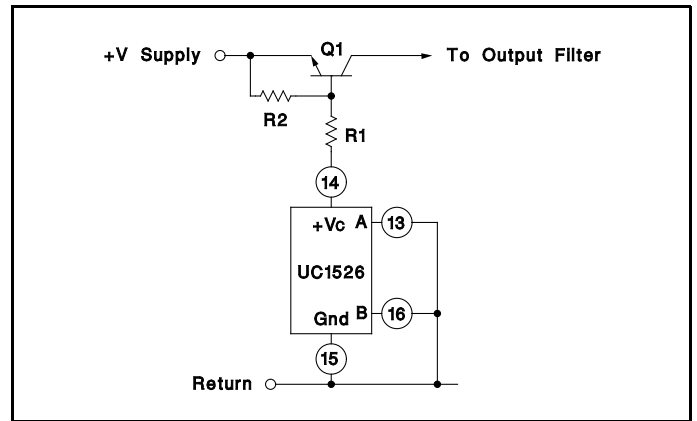


Figure 8. Single-Ended Configuration

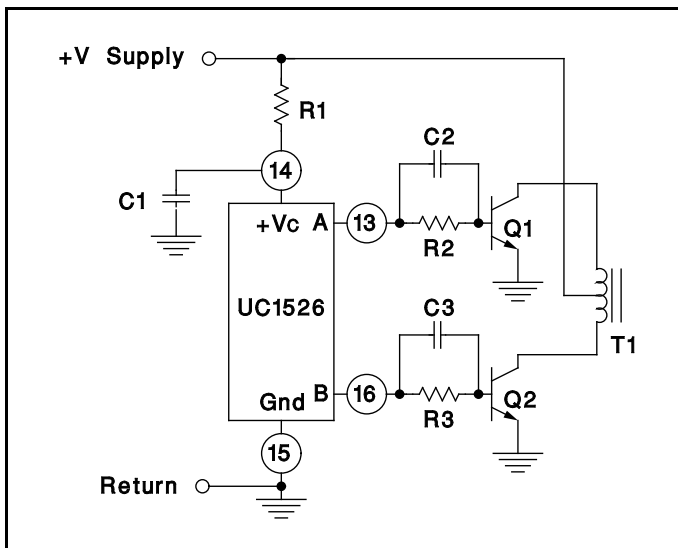


Figure 7. Push-Pull Configuration

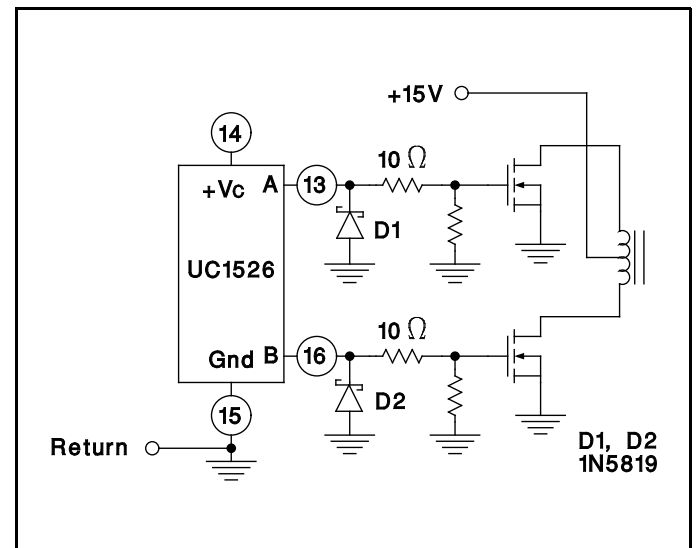
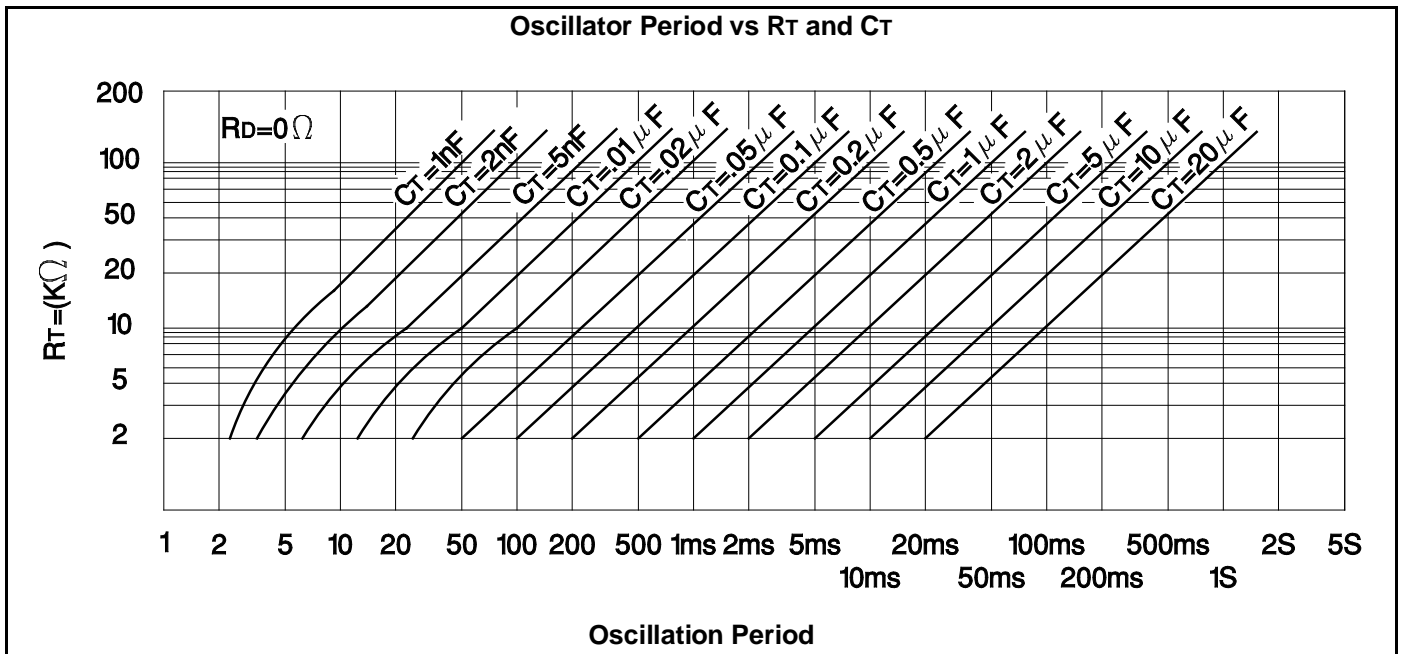
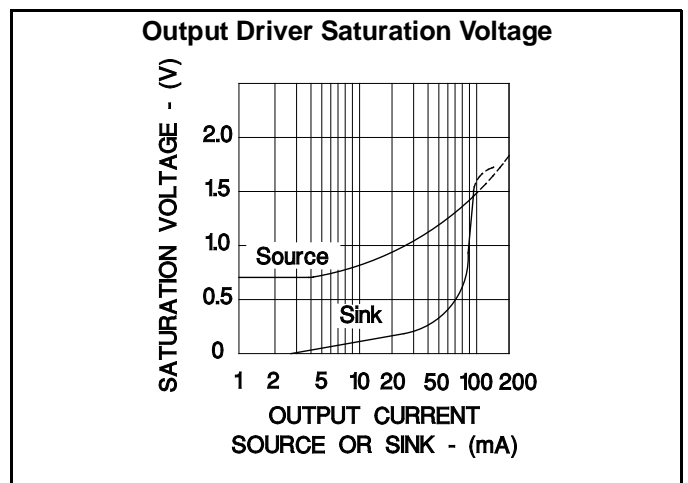
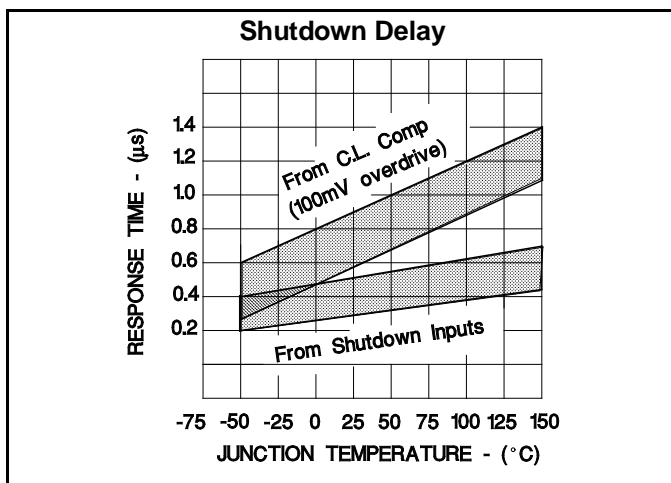
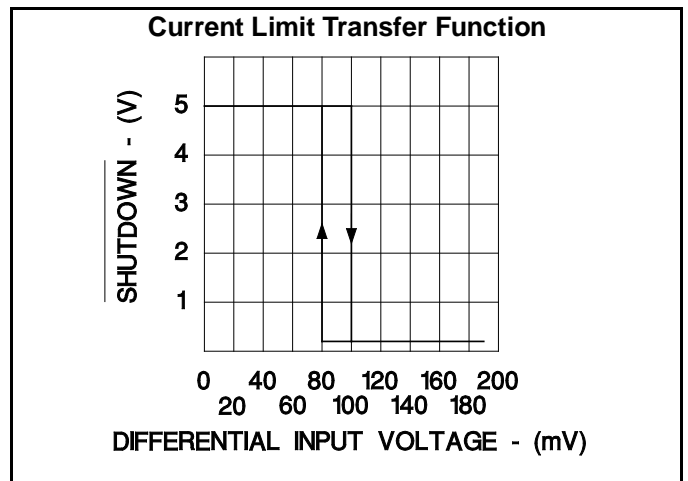
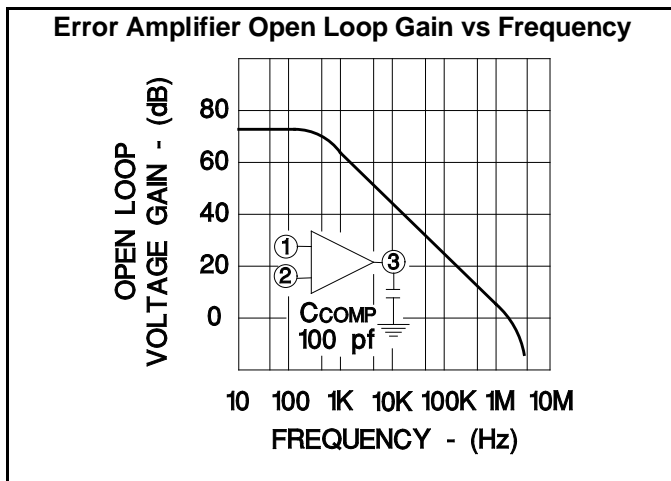
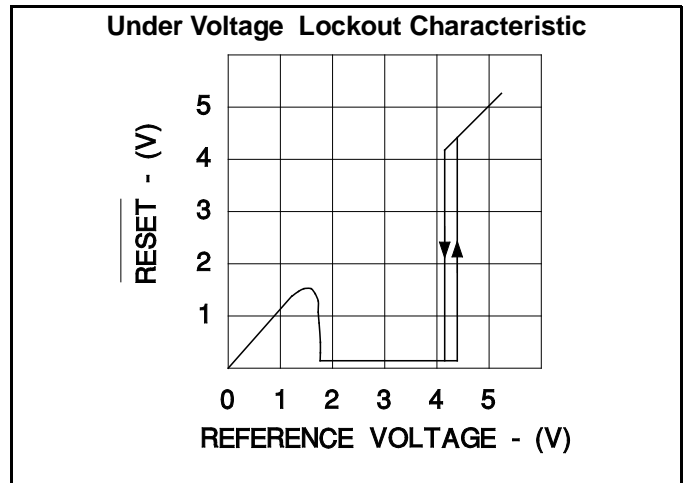
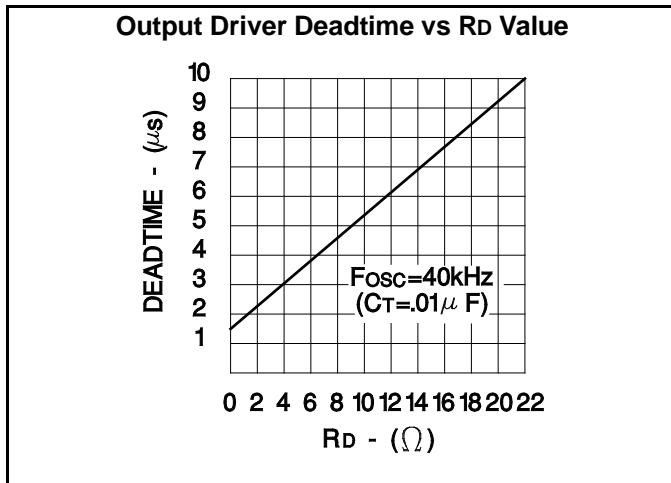


Figure 9. Driving N-channel Power Mosfets

TYPICAL CHARACTERISTICS



TYPICAL CHARACTERISTICS



PACKAGING INFORMATION

Orderable part number	Status (1)	Material type (2)	Package Pins	Package qty Carrier	RoHS (3)	Lead finish/ Ball material (4)	MSL rating/ Peak reflow (5)	Op temp (°C)	Part marking (6)
8551501VA	Active	Production	CDIP (J) 18	20 TUBE	No	SNPB	N/A for Pkg Type	-55 to 125	8551501VA UC1526J/883B
UC1526J	Active	Production	CDIP (J) 18	20 TUBE	No	SNPB	N/A for Pkg Type	-55 to 125	UC1526J
UC1526J.A	Active	Production	CDIP (J) 18	20 TUBE	No	SNPB	N/A for Pkg Type	-55 to 125	UC1526J
UC1526J883B	Active	Production	CDIP (J) 18	20 TUBE	No	SNPB	N/A for Pkg Type	-55 to 125	8551501VA UC1526J/883B
UC1526J883B.A	Active	Production	CDIP (J) 18	20 TUBE	No	SNPB	N/A for Pkg Type	-55 to 125	8551501VA UC1526J/883B
UC2526AJ	Active	Production	CDIP (J) 18	20 TUBE	No	SNPB	N/A for Pkg Type	-25 to 85	UC2526AJ
UC2526AJ.A	Active	Production	CDIP (J) 18	20 TUBE	No	SNPB	N/A for Pkg Type	-25 to 85	UC2526AJ
UC2526N	Active	Production	PDIP (N) 18	20 TUBE	Yes	NIPDAU	N/A for Pkg Type	-25 to 85	UC2526N
UC2526N.A	Active	Production	PDIP (N) 18	20 TUBE	Yes	NIPDAU	N/A for Pkg Type	-25 to 85	UC2526N
UC3526AJ	Active	Production	CDIP (J) 18	20 TUBE	No	SNPB	N/A for Pkg Type	0 to 70	UC3526AJ
UC3526AJ.A	Active	Production	CDIP (J) 18	20 TUBE	No	SNPB	N/A for Pkg Type	0 to 70	UC3526AJ
UC3526DW	Active	Production	SOIC (DW) 18	40 TUBE	Yes	NIPDAU	Level-2-260C-1 YEAR	0 to 70	UC3526DW
UC3526DW.A	Active	Production	SOIC (DW) 18	40 TUBE	Yes	NIPDAU	Level-2-260C-1 YEAR	0 to 70	UC3526DW
UC3526DWTR	Active	Production	SOIC (DW) 18	2000 LARGE T&R	Yes	NIPDAU	Level-2-260C-1 YEAR	0 to 70	UC3526DW
UC3526DWTR.A	Active	Production	SOIC (DW) 18	2000 LARGE T&R	Yes	NIPDAU	Level-2-260C-1 YEAR	0 to 70	UC3526DW
UC3526N	Active	Production	PDIP (N) 18	20 TUBE	Yes	NIPDAU	N/A for Pkg Type	0 to 70	UC3526N
UC3526N.A	Active	Production	PDIP (N) 18	20 TUBE	Yes	NIPDAU	N/A for Pkg Type	0 to 70	UC3526N
UC3526NG4	Active	Production	PDIP (N) 18	20 TUBE	Yes	NIPDAU	N/A for Pkg Type	0 to 70	UC3526N

(1) **Status:** For more details on status, see our [product life cycle](#).

(2) **Material type:** When designated, preproduction parts are prototypes/experimental devices, and are not yet approved or released for full production. Testing and final process, including without limitation quality assurance, reliability performance testing, and/or process qualification, may not yet be complete, and this item is subject to further changes or possible discontinuation. If available for ordering, purchases will be subject to an additional waiver at checkout, and are intended for early internal evaluation purposes only. These items are sold without warranties of any kind.

(3) **RoHS values:** Yes, No, RoHS Exempt. See the [TI RoHS Statement](#) for additional information and value definition.

- (4) **Lead finish/Ball material:** Parts may have multiple material finish options. Finish options are separated by a vertical ruled line. Lead finish/Ball material values may wrap to two lines if the finish value exceeds the maximum column width.
- (5) **MSL rating/Peak reflow:** The moisture sensitivity level ratings and peak solder (reflow) temperatures. In the event that a part has multiple moisture sensitivity ratings, only the lowest level per JEDEC standards is shown. Refer to the shipping label for the actual reflow temperature that will be used to mount the part to the printed circuit board.
- (6) **Part marking:** There may be an additional marking, which relates to the logo, the lot trace code information, or the environmental category of the part.

Multiple part markings will be inside parentheses. Only one part marking contained in parentheses and separated by a "~" will appear on a part. If a line is indented then it is a continuation of the previous line and the two combined represent the entire part marking for that device.

Important Information and Disclaimer: The information provided on this page represents TI's knowledge and belief as of the date that it is provided. TI bases its knowledge and belief on information provided by third parties, and makes no representation or warranty as to the accuracy of such information. Efforts are underway to better integrate information from third parties. TI has taken and continues to take reasonable steps to provide representative and accurate information but may not have conducted destructive testing or chemical analysis on incoming materials and chemicals. TI and TI suppliers consider certain information to be proprietary, and thus CAS numbers and other limited information may not be available for release.

In no event shall TI's liability arising out of such information exceed the total purchase price of the TI part(s) at issue in this document sold by TI to Customer on an annual basis.

OTHER QUALIFIED VERSIONS OF UC1526, UC2526AM, UC3526, UC3526AM :

- Catalog : [UC3526](#), [UC2526A](#), [UC3526M](#), [UC3526A](#)
- Military : [UC1526](#), [UC1526A](#)

NOTE: Qualified Version Definitions:

- Catalog - TI's standard catalog product
- Military - QML certified for Military and Defense Applications

TUBE


*All dimensions are nominal

Device	Package Name	Package Type	Pins	SPQ	L (mm)	W (mm)	T (μm)	B (mm)
UC2526N	N	PDIP	18	20	506	13.97	11230	4.32
UC2526N.A	N	PDIP	18	20	506	13.97	11230	4.32
UC3526DW	DW	SOIC	18	40	507	12.83	5080	6.6
UC3526DW.A	DW	SOIC	18	40	507	12.83	5080	6.6
UC3526N	N	PDIP	18	20	506	13.97	11230	4.32
UC3526N.A	N	PDIP	18	20	506	13.97	11230	4.32
UC3526NG4	N	PDIP	18	20	506	13.97	11230	4.32

IMPORTANT NOTICE AND DISCLAIMER

TI PROVIDES TECHNICAL AND RELIABILITY DATA (INCLUDING DATASHEETS), DESIGN RESOURCES (INCLUDING REFERENCE DESIGNS), APPLICATION OR OTHER DESIGN ADVICE, WEB TOOLS, SAFETY INFORMATION, AND OTHER RESOURCES "AS IS" AND WITH ALL FAULTS, AND DISCLAIMS ALL WARRANTIES, EXPRESS AND IMPLIED, INCLUDING WITHOUT LIMITATION ANY IMPLIED WARRANTIES OF MERCHANTABILITY, FITNESS FOR A PARTICULAR PURPOSE OR NON-INFRINGEMENT OF THIRD PARTY INTELLECTUAL PROPERTY RIGHTS.

These resources are intended for skilled developers designing with TI products. You are solely responsible for (1) selecting the appropriate TI products for your application, (2) designing, validating and testing your application, and (3) ensuring your application meets applicable standards, and any other safety, security, regulatory or other requirements.

These resources are subject to change without notice. TI grants you permission to use these resources only for development of an application that uses the TI products described in the resource. Other reproduction and display of these resources is prohibited. No license is granted to any other TI intellectual property right or to any third party intellectual property right. TI disclaims responsibility for, and you fully indemnify TI and its representatives against any claims, damages, costs, losses, and liabilities arising out of your use of these resources.

TI's products are provided subject to [TI's Terms of Sale](#), [TI's General Quality Guidelines](#), or other applicable terms available either on ti.com or provided in conjunction with such TI products. TI's provision of these resources does not expand or otherwise alter TI's applicable warranties or warranty disclaimers for TI products. Unless TI explicitly designates a product as custom or customer-specified, TI products are standard, catalog, general purpose devices.

TI objects to and rejects any additional or different terms you may propose.

Copyright © 2026, Texas Instruments Incorporated

Last updated 10/2025