

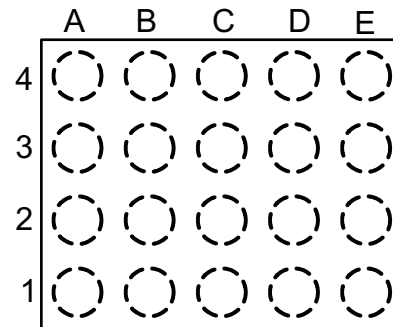
DP3T开关是具有阻抗检测功能的微型USB开关 可以支持**USB, UART, 音频, 和充电设备检测**

查询样品: **TSU5611**

特性

- 兼容附件
 - **USB** 数据线缆
 - **UART** 线缆
 - 充电设备(专用充电设备或者主机/充电设备)
 - 有麦克风的立体声耳机
- 用于**VREF**和麦克偏置电压的集成低压线性稳压器(LDOs)
- **USB** 和**UART**路径支持 **USB 2.0**高速接口
- 音频通道提供负轨道支持和
- 支持工厂测试模式
- **1.8-V** 兼容 **I²C** 接口
- 控制输入符合 **1.8 V** 逻辑要求
 - **1500-V** 人体模型
(**A114-B, Class II**)
 - **1000 V** 充电器件模型 (**C101**)

YZP 封装
顶视图



引脚指定

	A	B	C	D	E
4	MIC	ISET	UART_TX	USB_DM	USB_DP
3	R2.2K	$\overline{\text{INT}}$	UART_RX	ID	DP
2	SDA	SCL	DSS	GND	数据手册
1	CLDO	V _{供电}	AUDIO_R	AUDIO_L	V _{BUS}

应用

- 手机与智能电话
- 平板 **PC**
- 数码相机与摄像机
- 全球卫星定位(**GPS**)导航系统
- 具有**USB/UART**的微型**USB**接口

说明

TSU5611被设计成能够与手机UART,USB和通过微型USB连接器与外部设备连接的音频芯片进行连接。这个开关特有阻抗检测功能用以识别通过微型USB端口的DP和DM连接的多种配件。当一个配件插入到微型USB端口时,这个开关使用侦测机制以识别这个配件(详细信息请参考State Machine期刊)。然后它将切换到合适的频道—数据,音频,或者UART。

TSU5611有一个 I2C接口用于与手机基带或者应用设备处理器进行通信。当微型USB接口侦测到任何插入设时,一个中断会产生。当设备拔出时,产生另外一个中断。

ORDERING INFORMATION⁽¹⁾

T _A	PACKAGE ⁽²⁾		ORDERABLE PART NUMBER	TOP-SIDE MARKING
–40°C to 85°C	WSCP–YZP (0.5-mm pitch)	Tape and Reel	TSU5611YZPR	A7

(1) For the most current package and ordering information, see the Package Option Addendum at the end of this document, or see the TI Web site at www.ti.com.

(2) Package drawings, thermal data, and symbolization are available at www.ti.com/packaging.



Please be aware that an important notice concerning availability, standard warranty, and use in critical applications of Texas Instruments semiconductor products and disclaimers thereto appears at the end of this data sheet.

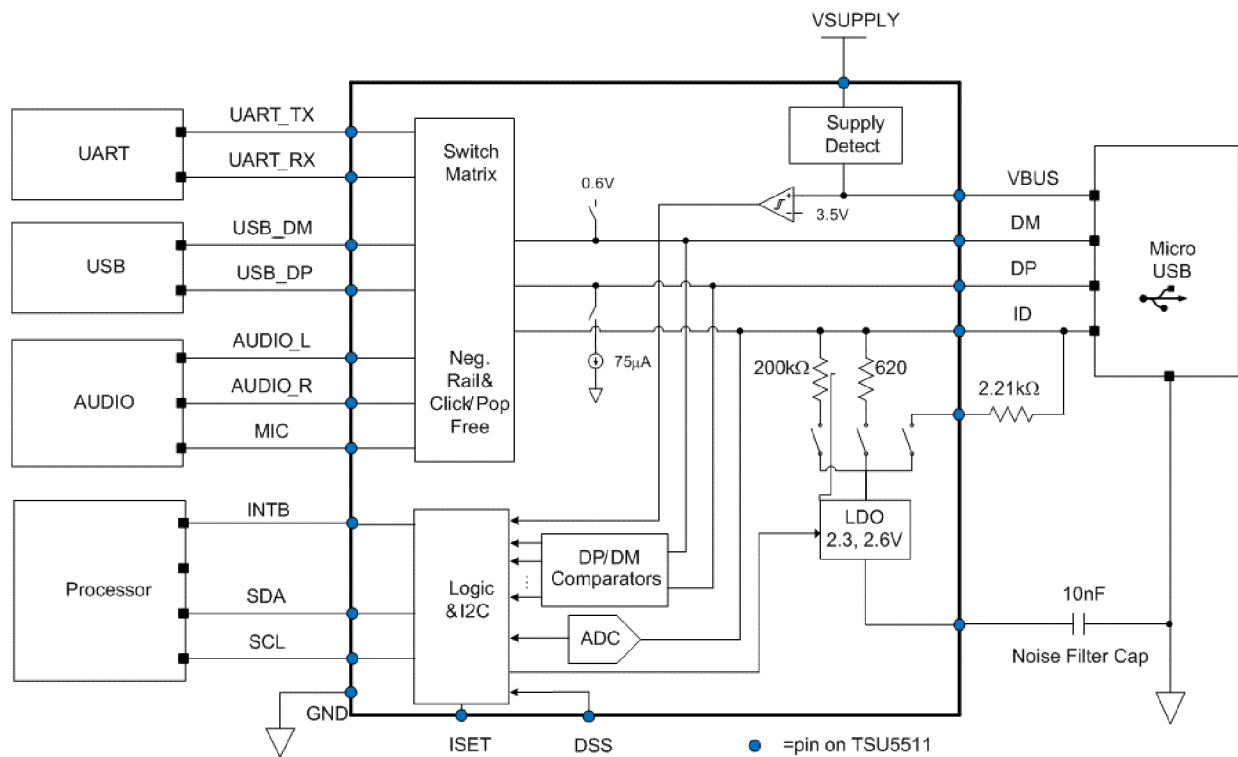


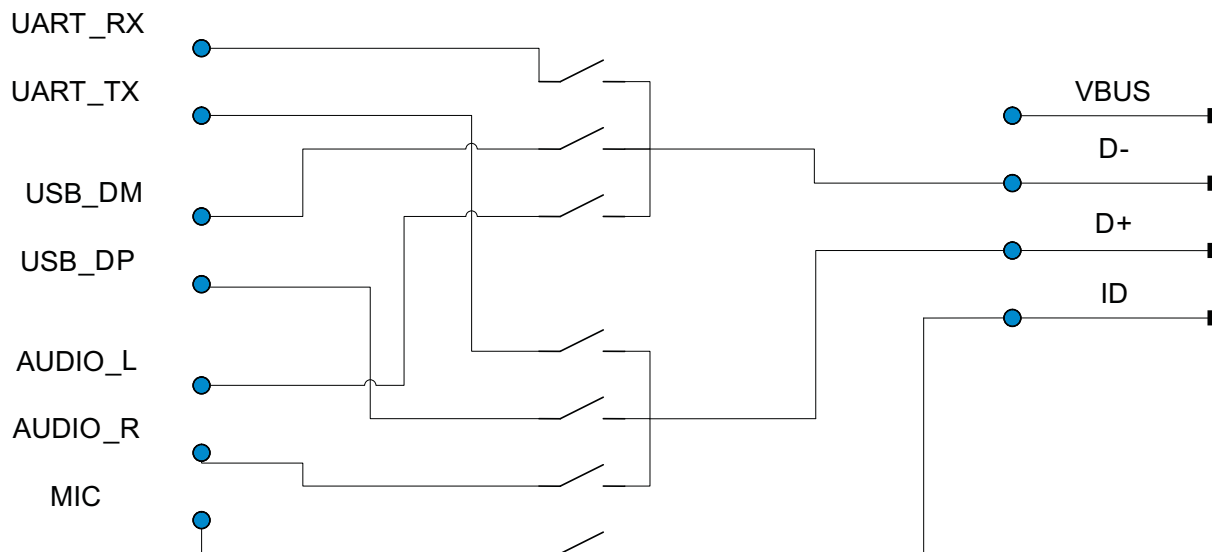
These devices have limited built-in ESD protection. The leads should be shorted together or the device placed in conductive foam during storage or handling to prevent electrostatic damage to the MOS gates.

SUMMARY OF TYPICAL CHARACTERISTICS

	USB PATH	UART PATH	AUDIO PATH	MIC PATH
Number of switches	1	1	1	1
ON-state resistance (rON)	5 Ω	5 Ω	3 Ω	8.8 Ω
ON-state resistance match (ΔrON)	1 Ω	1 Ω	1.1 Ω	N/A
ON-state resistance flatness (rON(flat))	0.24 Ω	0.24 Ω	0.1 Ω	0.5 Ω
Turn-on/turn-off time (tON/tOFF)	1 ms	1 ms	1 ms	1 ms
Bandwidth (BW)	830 MHz	830 MHz	788 MHz	573 MHz
OFF isolation (OISO)	-22 dB	-22 dB	-75 dB	-100 dB
Crosstalk (XTALK)	-40 dB	-40 dB	-50 dB	-50 dB
Total harmonic distortion (THD)	N/A	N/A	0.05%	0.0017%
Leakage current (INO(OFF)/INC(OFF))	100 nA	100 nA	100 nA	100 nA
Package options	YZP package, 0.5-mm pitch			

APPLICATION BLOCK DIAGRAM



SWITCH MATRIX BLOCK DIAGRAM

PIN FUNCTIONS

PIN		TYPE	DESCRIPTION
NAME	NO.		
AUDIO_L	D1	I/O	Stereo audio left channel
AUDIO_R	C1	I/O	Stereo audio right channel
CLDO	A1	O	Capacitor connection for LDO noise filtering
DM	E2	I/O	Common I/O port for USB, UART, Audio. Connected to USB receptacle.
DP	E3	I/O	Common I/O port for USB, UART, Audio. Connected to USB receptacle.
DSS	C2	I	Pulldown or pullup resistor connection to determine default switch
GND	D2	GND	Ground
ID	D3	I/O	Common I/O port for microphone, ID detection
INT	B3	O	Open-drain interrupt output. Connect an external pullup resistor.
ISSET	B4	O	Output to charger for high-current charging mode. Open-drain output.
MIC	A4	I/O	Microphone signal
R2.2K	A3	I	2.21 kΩ connection for microphone bias
SCL	B2	I	I2C clock input. Connect an external pullup resistor.
SDA	A2	I/O	I2C data. Connect an external pullup resistor.
UART_RX	C3	I/O	UART receive data
UART_TX	C4	I/O	UART transmit data
USB_DM	D4	I/O	USB D- connected to host
USB_DP	E4	I/O	USB D+ connected to host
V _{BUS}	E1	Power	VBUS power supply from USB receptacle
V _{SUPPLY}	B1	Power	2.8-V to 4.4-V battery supply voltage

ABSOLUTE MAXIMUM RATINGS⁽¹⁾⁽²⁾

over operating free-air temperature range (unless otherwise noted)

			MIN	MAX	UNIT
V _{BUS}	Supply voltage from USB connector		-0.5	28	V
V _{SUPPLY}	Supply voltage from battery		-0.5	6	
V _{USBIO}	Switch I/O voltage range	USB Switch	-0.5	V _{SUPPLY} +0.5	V
V _{UARTIO}		UART Switch	-0.5	V _{SUPPLY} +0.5	
V _{AUDIO}		Audio Switch	-1.5	V _{SUPPLY} +0.5	
V _{MICIO}		Mic Switch	-0.5	V _{SUPPLY} +0.5	
V _{LOGIC I O}	Logic input, output and I/O voltage ranges	DSS, SCL, SDA	-0.5	V _{SUPPLY} +0.5	V
I _{BUS}	Input current on V _{BUS} pin			100	mA
I _{SUPPLY}	Input current on V _{SUPPLY} pin			100	mA
I _{GND}	Continuous current through GND			100	mA
I _K	Analog port diode current		-50	50	mA
I _{SW-DC}	ON-state continuous switch current		-60	60	mA
I _{SWPEAK}	ON-state peak switch current		-150	150	mA
I _{IK}	Digital logic input clamp current	V _L < 0		-50	mA
I _{LOGIC_O}	Continuous current through logic output		-50	50	mA
T _{stg}	Storage temperature range		-65	150	°C

- (1) Stresses above these ratings may cause permanent damage. Exposure to absolute maximum conditions for extended periods may degrade device reliability. These are stress ratings only, and functional operation of the device at these or any other conditions beyond those specified is not implied.
- (2) The algebraic convention, whereby the most negative value is a minimum and the most positive value is a maximum.

THERMAL IMPEDANCE RATINGS

			UNIT
θ _{JA}	Package thermal impedance	YZP package	75.5 °C/W

RECOMMENDED OPERATING CONDITIONS

			MIN	MAX	UNIT
V _{BUS}	Supply voltage from USB connector		4.35	6.7	V
V _{SUPPLY}	Supply voltage from battery		2.8	4.4	V
V _{USBIO}	Switch I/O Voltage Range	USB Switch	0	3.6	V
V _{UARTIO}		UART Switch	0	3.6	V
V _{AUDIO}		Audio Switch	-1.3	1.3	V
V _{MICIO}		Mic Switch	0	2.3	V
V _{LOGIC I O}	Logic input, output and I/O voltage ranges	DSS, SCL, SDA	0	V _{SUPPLY}	V
I _{SW-DC}	ON-state continuous switch current				mA
I _{SW-PEAK}	ON-state peak switch current				mA
T _A	Ambient Temperature		-40	85	°C

ELECTRICAL CHARACTERISTICS⁽¹⁾
 $T_A = -40^{\circ}\text{C}$ to 85°C , (unless otherwise noted), Typical values are at $V_{\text{SUPPLY}} = 3.6\text{V}$, $V_{\text{BUS}} = 5.0\text{V}$, $T_A = 25^{\circ}\text{C}$

PARAMETER		TEST CONDITIONS	MIN	TYP	MAX	UNIT
I_{VSUPPLY}	VSUPPLY supply current	$V_{\text{SUPPLY}} = 4.2\text{ V}$, $V_{\text{BUS}} = 0\text{ V}$, SEMREN = 0, All switches open		14	18	μA
		$V_{\text{SUPPLY}} = 4.2\text{ V}$, $V_{\text{BUS}} = 0\text{ V}$, SEMREN = 1, All switches open		14	18	
		$V_{\text{SUPPLY}} = 4.2\text{ V}$, $V_{\text{BUS}} = 0\text{ V}$, SEMREN = 1, USB or Audio switches closed		60	70	
I_{VBUS}	VBUS supply current	$V_{\text{BUS}} = 5.0\text{ V}$, $V_{\text{SUPPLY}} = 3.6\text{ V}$, SEMREN=0, All switches open		45	60	μA
		$V_{\text{BUS}} = 5.0\text{ V}$, $V_{\text{SUPPLY}} = 3.6\text{ V}$, SEMREN=1, All switches open		45	60	
		$V_{\text{BUS}} = 5.0\text{ V}$, $V_{\text{SUPPLY}} = 3.6\text{ V}$, SEMREN=1, USB or Audio switches closed		80	98	
V_{VBUSDET}	VBUS Detect threshold	$V_{\text{BUS}} = 2.5\text{ V}$ to 5 V with DP-DM short, Read the INT	3.0	3.5	4.0	V
V_{MRCOMP}	Microphone removal threshold	LDO Voltage = 2.6 V , Ramp ID down, Read the INT			2.20	V
		LDO Voltage = 2.3 V , Ramp ID down, Read the INT			1.95	
V_{SECOMP}	SEND/END threshold	LDO Voltage = 2.6 V or 2.3 V , Ramp ID up from 0 V , Read the INT		0.15		V
R_{ID1}	ID resistance1	ID_200 = 1, $V_{\text{SUPPLY}} = 3.6\text{ V}$	160	200	240	$\text{k}\Omega$
R_{ID2}	ID Resistance2	ID_620 = 1, $V_{\text{SUPPLY}} = 3.6\text{ V}$		620	850	Ω

(1) V_O is equal to the asserted voltage on DP_CON and DM_CON pins. V_I is equal to the asserted voltage on DP_HT and DM_HT pins. I_O is equal to the current on the DP_CON and DM_CON pins. I_I is equal to the current on the DP_HT and DM_HT pins.

LDO ELECTRICAL CHARACTERISTICS
 $T_A = -40^{\circ}\text{C}$ to 85°C , (unless otherwise noted), Typical values are at $V_{\text{SUPPLY}} = 3.6\text{V}$, $V_{\text{BUS}} = 5.0\text{V}$, $T_A = 25^{\circ}\text{C}$

PARAMETER		TEST CONDITIONS	MIN	TYP	MAX	UNIT
V_{BUS}	Input voltage		4.35	5	6.7	V
V_{SUPPLY}			2.8		4.4	
$V_{\text{OUT-26}}$	Output voltage	$I_O = 0\text{ mA}$	2.54	2.6	2.65	V
$I_{\text{O-26}}$	Max output current	Measured at R2.2K pin			10	μA
$V_{\text{OUT-23}}$	Output voltage	$I_O = 0\text{ mA}$	2.2	2.3	2.35	V
$I_{\text{O-23}}$	Max output current	Measured at R2.2K pin			500	μA
PSR_{217}	Power supply rejection	$V_{\text{OUT}} = 2.3\text{ V}$, $V_{\text{SUPPLY}} = 3.2\text{ V}$, $I_O = 150\text{ }\mu\text{A}$ to $450\text{ }\mu\text{A}$, $f = 217\text{ Hz}$		-60		dB
PSR_{1k}		$V_{\text{OUT}} = 2.3\text{ V}$, $V_{\text{SUPPLY}} = 3.2\text{ V}$, $I_O = 150\text{ }\mu\text{A}$ to $450\text{ }\mu\text{A}$, $f = 1\text{ kHz}$		-60		
$e_{\text{n-OUT}}$	Integrated output noise	$V_{\text{OUT}} = 2.3\text{ V}$, $V_{\text{SUPPLY}} = 3.2\text{ V}$, $I_O = 150\text{ }\mu\text{A}$ to $450\text{ }\mu\text{A}$, $f = 20\text{ Hz}$ to 20 kHz (A-weighted)		3	10	μV
$T_{\text{r}1}$	Rise time1	$I_O = 20\text{ }\mu\text{A}$, R2.2K = 0 V to 2.6 V		178		μs
$t_{\text{r}2}$	Rise time2	$I_O = 20\text{ }\mu\text{A}$, R2.2K = 2.3 V to 2.6 V		260		μs
t_{f}	Fall time	$I_O = 0\text{ }\mu\text{A}$, R2.2K = 2.6 V to 2.3 V		2.5		ms

USB SWITCH ELECTRICAL CHARACTERISTICS FOR 2.8 V TO 4.4 V SUPPLY⁽¹⁾
 $T_A = -40^{\circ}\text{C}$ to 85°C , (unless otherwise noted), Typical values are at $V_{\text{SUPPLY}} = 3.6\text{V}$, $V_{\text{BUS}} = 5.0\text{V}$, $T_A = 25^{\circ}\text{C}$

PARAMETER		TEST CONDITIONS		MIN	TYP	MAX	UNIT
ANALOG SWITCH							
V_{USBIO}	Analog signal range			0		3.6	V
r_{ON}	ON-state resistance	$V_I = 0\text{ V to } 3.6\text{ V}$, $I_O = -2\text{ mA}$, $V_{\text{SUPPLY}} = 3.6\text{ V}$	Switch ON		4.5	10	Ω
Δr_{ON}	ON-state resistance match between channels	$V_I = 0.4\text{ V}$, $I_O = -2\text{ mA}$, $V_{\text{SUPPLY}} = 3.6\text{ V}$	Switch ON		1	1.5	Ω
$r_{\text{ON(Flat)}}$	ON-state resistance flatness	$V_I = 0\text{ V to } 3.6\text{ V}$, $I_O = -2\text{ mA}$, $V_{\text{SUPPLY}} = 3.6\text{ V}$	Switch ON		0.5	1.5	Ω
$I_{\text{IO(OFF)}}$	V_I or V_O OFF leakage current	$V_I = 0.3\text{ V}$, $V_O = 2.5\text{ V}$ or $V_I = 2.5\text{ V}$, $V_O = 0.3\text{ V}$, $V_{\text{SUPPLY}} = 4.4\text{ V}$,	Switch OFF		25	360	nA
$I_{\text{IO(ON)}}$	V_O ON leakage current	$V_I = \text{OPEN}$, $V_O = 0.3\text{ V}$ or 2.5 V , $V_{\text{SUPPLY}} = 4.4\text{ V}$	Switch ON		10	360	nA
DYNAMIC							
t_{ON}	Turn-on time	V_I or $V_O = V_{\text{SUPPLY}}$, $R_L = 50\ \Omega$, $C_L = 35\ \text{pF}$	From receipt of I ² C ACK bit		100		μs
t_{OFF}	Turn-OFF time	V_I or $V_O = V_{\text{SUPPLY}}$, $R_L = 50\ \Omega$, $C_L = 35\ \text{pF}$	From receipt of I ² C ACK bit		20		μs
$C_{\text{I(OFF)}}$	V_I OFF capacitance	DC bias = 0 V or 3.6 V , $f = 10\text{ MHz}$	Switch OFF		6.5		pF
$C_{\text{O(OFF)}}$	V_O OFF capacitance	DC bias = 0 V or 3.6 V , $f = 10\text{ MHz}$	Switch OFF		3		pF
$C_{\text{I(ON)}}$, $C_{\text{O(ON)}}$	V_I , V_O ON capacitance	DC bias = 0 V or 3.6 V , $f = 10\text{ MHz}$,	Switch ON		9		pF
BW	Bandwidth	$R_L = 50\ \Omega$	Switch ON		920		MHz
O_{ISO}	OFF Isolation	$f = 240\text{ MHz}$, $R_L = 50\ \Omega$	Switch OFF		-29		dB
X_{TALK}	Crosstalk	$f = 240\text{ MHz}$, $R_L = 50\ \Omega$	Switch ON		-40		dB

(1) V_I = asserted voltage on DP & DM pin. V_O = Asserted voltage on USB_DP & USB_DM pin. I_O = current on the USB_DP or USB_DM pin

UART SWITCH ELECTRICAL CHARACTERISTICS FOR 2.8 V TO 4.4 V SUPPLY⁽¹⁾
 $T_A = -40^{\circ}\text{C}$ to 85°C , (unless otherwise noted), Typical values are at $V_{\text{SUPPLY}} = 3.6\text{V}$, $V_{\text{BUS}} = 5.0\text{V}$, $T_A = 25^{\circ}\text{C}$

PARAMETER		TEST CONDITIONS		MIN	TYP	MAX	UNIT
ANALOG SWITCH							
V_{USBIO}	Analog signal range			0		3.6	V
r_{ON}	ON-state resistance	$V_I = 0\text{ V to } 3.6\text{ V}$, $I_O = -2\text{ mA}$, $V_{\text{SUPPLY}} = 3.6\text{ V}$	Switch ON		4.5	10	Ω
Δr_{ON}	ON-state resistance match between channels	$V_I = 0.4\text{ V}$, $I_O = -2\text{ mA}$, $V_{\text{SUPPLY}} = 3.6\text{ V}$	Switch ON		1	1.5	Ω
$r_{\text{ON(Flat)}}$	ON-state resistance flatness	$V_I = 0\text{ V to } 3.6\text{ V}$, $I_O = -2\text{ mA}$, $V_{\text{SUPPLY}} = 3.6\text{ V}$	Switch ON		0.5	1.5	Ω
$I_{\text{IO(OFF)}}$	V_I or V_O OFF leakage current	$V_I = 0.3\text{ V}$, $V_O = 2.5\text{ V}$ or $V_I = 2.5\text{ V}$, $V_O = 0.3\text{ V}$, $V_{\text{SUPPLY}} = 4.4\text{ V}$	Switch OFF		25	360	nA
$I_{\text{IO(ON)}}$	V_O ON leakage current	$V_I = \text{OPEN}$, $V_O = 0.3\text{ V}$ or 2.5 V , $V_{\text{SUPPLY}} = 4.4\text{ V}$	Switch ON		10	360	nA
DYNAMIC							
t_{ON}	Turn-on time	V_I or $V_O = V_{\text{SUPPLY}}$, $R_L = 50\ \Omega$, $C_L = 35\text{ pF}$	From receipt of I ² C ACK bit		100		μs
t_{OFF}	Turn-OFF time	V_I or $V_O = V_{\text{SUPPLY}}$, $R_L = 50\ \Omega$, $C_L = 35\text{ pF}$	From receipt of I ² C ACK bit		20		μs
$C_{\text{I(OFF)}}$	V_I OFF capacitance	DC bias = 0 V or 3.6 V , $f = 10\text{ MHz}$	Switch OFF		6.5		pF
$C_{\text{O(OFF)}}$	V_O OFF capacitance	DC bias = 0 V or 3.6 V , $f = 10\text{ MHz}$	Switch OFF		3		pF
$C_{\text{I(ON)}}$, $C_{\text{O(ON)}}$	V_I , V_O ON capacitance	DC bias = 0 V or 3.6 V , $f = 10\text{ MHz}$	Switch ON		9		pF
BW	Bandwidth	$R_L = 50\ \Omega$	Switch ON		920		MHz
O_{ISO}	OFF Isolation	$f = 240\text{ MHz}$, $R_L = 50\ \Omega$	Switch OFF		-29		dB
X_{TALK}	Crosstalk	$f = 240\text{ MHz}$, $R_L = 50\ \Omega$	Switch ON		-40		dB

(1) V_I = asserted voltage on DP & DM pin. V_O = Asserted voltage on UART_RX & UART_TX pin. I_O = current on the UART_RX and UART_TX pin

AUDIO SWITCH ELECTRICAL CHARACTERISTICS FOR 2.8 V TO 4.4 V SUPPLY⁽¹⁾

$T_A = -40^\circ\text{C}$ to 85°C , (unless otherwise noted), Typical values are at $V_{\text{SUPPLY}} = 3.6\text{V}$, $V_{\text{BUS}} = 5.0\text{V}$, $T_A = 25^\circ\text{C}$

PARAMETER		TEST CONDITIONS		MIN	TYP	MAX	UNIT
ANALOG SWITCH							
$V_{\text{AUDIO IO}}$	Analog signal range			-1.3		1.3	V
r_{ON}	ON-state resistance	$V_I = +1.3\text{ V}, -1.3\text{ V}, I_O = -20\text{ mA}, V_{\text{SUPPLY}} = 2.8\text{ V}$	AUDIO_L or AUDIO_R DM or DP		3.8	6	Ω
Δr_{ON}	ON-state resistance match between channels	$V_I = 1.3\text{ V}, I_O = -20\text{ mA}, V_{\text{SUPPLY}} = 2.8\text{ V}$	AUDIO_L or AUDIO_R DM or DP		1	1.3	Ω
$r_{\text{ON(Flat)}}$	ON-state resistance flatness	$V_I = +1.3\text{ V}, -1.3\text{ V}, I_O = -20\text{ mA}, V_{\text{SUPPLY}} = 2.8\text{ V}$	AUDIO_L or AUDIO_R DM or DP		0.1	0.25	Ω
$I_{\text{IO(OFF)}}$	V_I or V_O OFF leakage current	$V_I = 0\text{ V}, V_O = 1.3\text{ V}$ or $V_I = 1.3\text{ V}, V_O = -1.3\text{ V}, V_{\text{SUPPLY}} = 4.4\text{ V}$	Switch OFF		25	400	nA
$I_{\text{IO(ON)}}$	V_O ON leakage current	$V_I = \text{OPEN}, V_O = -1.3\text{ V}$ or $1.3\text{ V}, V_{\text{SUPPLY}} = 4.4\text{ V}$	Switch ON		25	400	nA
DYNAMIC							
t_{ON}	Turn-on time	V_I or $V_O = V_{\text{SUPPLY}}, R_L = 50\ \Omega, C_L = 35\text{ pF}$	From receipt of I ² C ACK bit		100		μs
t_{OFF}	Turn-OFF time	V_I or $V_O = V_{\text{SUPPLY}}, R_L = 50\ \Omega, C_L = 35\text{ pF}$	From receipt of I ² C ACK bit		20		μs
$C_{\text{I(OFF)}}$	V_I OFF capacitance	DC bias = 0 V or 2.6 V, $f = 10\text{ MHz}$	Switch OFF		4.5		pF
$C_{\text{O(OFF)}}$	V_O OFF capacitance	DC bias = 0 V or 2.6 V, $f = 10\text{ MHz}$	Switch OFF		6.5		pF
$C_{\text{I(ON)}}, C_{\text{O(ON)}}$	V_I, V_O ON capacitance	DC bias = 0 V or 2.6 V, $f = 10\text{ MHz}$	Switch ON		9		pF
BW	Bandwidth	$R_L = 50\ \Omega$	Switch ON		900		MHz
O_{ISO}	OFF Isolation	$f = 20\text{ MHz}, R_L = 50\ \Omega$	Switch OFF		-100		dB
X_{TALK}	Crosstalk	$f = 20\text{ MHz}, R_L = 50\ \Omega$	Switch ON		-100		dB
THD	Total harmonic distortion	$R_L = 16\ \Omega, C_L = 20\text{ pF}, f = 20\text{ Hz} - 20\text{ kHz}, 2.6\text{ Vpp}$			0.03	0.04	%

(1) V_O = asserted voltage on DP & DM pin. V_I = Asserted voltage on AUDIO_R & AUDIO_L pin. I_O = current on the DP and DM pin. I_I = current on the AUDIO_R & AUDIO_L pin.

MIC SWITCH ELECTRICAL CHARACTERISTICS FOR 2.8 V TO 4.4 V SUPPLY⁽¹⁾
 $T_A = -40^{\circ}\text{C}$ to 85°C , (unless otherwise noted), Typical values are at $V_{\text{SUPPLY}} = 3.6\text{V}$, $V_{\text{BUS}} = 5.0\text{V}$, $T_A = 25^{\circ}\text{C}$

PARAMETER		TEST CONDITIONS		MIN	TYP	MAX	UNIT
ANALOG SWITCH							
V_{MICIO}	Analog signal range			0		2.3	V
r_{ON}	ON-state resistance	$V_I = 2.3\text{ V}$, $I_O = -20\text{ mA}$, $V_{\text{SUPPLY}} = 2.8\text{ V}$	MIC ID		9	12	Ω
Δr_{ON}	ON-state resistance match between channels	$V_I = 2.3\text{ V}$, $I_O = -2\text{ mA}$, $V_{\text{SUPPLY}} = 2.8\text{ V}$	MIC ID		0.5	1	Ω
$r_{\text{ON(Flat)}}$	ON-state resistance flatness	$V_I = 2.3\text{ V}$, $I_O = -2\text{ mA}$, $V_{\text{SUPPLY}} = 2.8\text{ V}$			0.1	0.25	Ω
$I_{\text{IO(OFF)}}$	V_I or V_O OFF leakage current	$V_I = 0.3\text{ V}$, $V_O = 2.3\text{ V}$ or $V_I = 2.3\text{ V}$, $V_O = 0.3\text{ V}$, $V_{\text{SUPPLY}} = 4.4\text{ V}$	Switch OFF		5	200	nA
$I_{\text{IO(ON)}}$	V_O ON leakage current	$V_I = \text{OPEN}$, $V_O = 0.3\text{ V}$ or 1.8V , $V_{\text{SUPPLY}} = 4.4\text{ V}$	Switch ON		5	200	nA
DYNAMIC							
t_{ON}	Turn-on time	V_I or $V_O = V_{\text{SUPPLY}}$, $R_L = 50\ \Omega$, $C_L = 35\text{ pF}$	From receipt of I ² C ACK bit		100		μs
t_{OFF}	Turn-OFF time	V_I or $V_O = V_{\text{SUPPLY}}$, $R_L = 50\ \Omega$, $C_L = 35\text{ pF}$	From receipt of I ² C ACK bit		20		μs
$C_{\text{I(OFF)}}$	V_I OFF capacitance	DC bias = 0 V or 3.6 V, $f = 10\text{ MHz}$	Switch OFF		6		pF
$C_{\text{O(OFF)}}$	V_O OFF capacitance	DC bias = 0 V or 3.6 V, $f = 10\text{ MHz}$	Switch OFF		6		pF
$C_{\text{I(ON)}}$, $C_{\text{O(ON)}}$	V_I , V_O ON capacitance	DC bias = 0 V or 3.6 V, $f = 10\text{ MHz}$	Switch ON		12		pF
BW	Bandwidth	$R_L = 50\ \Omega$	Switch ON		573		MHz
O_{ISO}	OFF Isolation	$f = 20\text{ kHz}$, $R_L = 50\ \Omega$	Switch OFF		-55		dB
X_{TALK}	Crosstalk	$f = 20\text{ kHz}$, to audio input, $R_L = 50\ \Omega$	Switch ON		-100		dB
THD	Total harmonic distortion	$R_L = 600\ \Omega$, $C_L = 20\text{ pF}$, $f = 20\text{ Hz} \sim 20\text{ kHz}$, 100 mVpp			0.03	0.04	%

(1) V_I = asserted voltage on ID pin. V_O = Asserted voltage on MIC pin. I_I = current on the ID pin. I_O = current on the MIC pin.

DIGITAL SIGNALS (DSS)

$T_A = -40^\circ\text{C}$ to 85°C , (unless otherwise noted), Typical values are at $V_{\text{SUPPLY}} = 3.6\text{V}$, $V_{\text{BUS}}=5.0\text{V}$, $T_A=25^\circ\text{C}$

PARAMETER		TEST CONDITION	MIN	MAX	UNIT
V_{IH}	Input Logic High		$V_{\text{SUPPLY}} \times 0.7$	V_{SUPPLY}	V
V_{IL}	Input Logic Low		0	$V_{\text{SUPPLY}} \times 0.3$	V
I_{INLEAK}	Input Leakage current	$V_I = 0\text{ V to } V_{\text{SUPPLY}}$		16	μA

DIGITAL SIGNALS (SCL, SDA)

$T_A = -40^\circ\text{C}$ to 85°C , (unless otherwise noted), Typical values are at $V_{\text{SUPPLY}} = 3.6\text{V}$, $V_{\text{BUS}}=5.0\text{V}$, $T_A=25^\circ\text{C}$

PARAMETER		TEST CONDITION	MIN	MAX	UNIT
V_{IH}	Input Logic High		1.4		V
V_{IL}	Input Logic Low			0.4	V
I_{INLEAK}	Input Leakage current	$V_I = 0\text{ V to } V_{\text{SUPPLY}}$	-1	1	μA

DIGITAL SIGNALS ($\overline{\text{INT}}$, ISET)

$T_A = -40^\circ\text{C}$ to 85°C , (unless otherwise noted), Typical values are at $V_{\text{SUPPLY}} = 3.6\text{V}$, $V_{\text{BUS}}=5.0\text{V}$, $T_A=25^\circ\text{C}$

PARAMETER		TEST CONDITION	MIN	MAX	UNIT
V_{ODOL}	Open drain low	$I_{\text{ODL}} = 4\text{ mA}$		0.4	V

APPLICATION INFORMATION

Default Switch Position

The DSS (Default Switch State) pin determines if the USB switches or UART switches are selected at startup. An internal pull-down resistor is present on the DSS pin, which selects the USB switches as the default at start-up. If the user wants to default to the UART switches at startup, the DSS pin must be pulled high to V_{SUPPLY} . If the user wants to disable the switches, this must be done using an I²C write to the SW_Control register after initialization is complete.

DSS PIN	SWITCH STATES
Open / PD	USB
PU	UART

ID Impedance Detection

The TSU5611 features impedance detection for identification of various accessories that might be attached to the microUSB port. Each accessory is identified by a unique resistor value connected between the ID pin and Ground. During impedance detection, the device auto-calibrates an internal current source using an external $2.21k\pm 1\%$ resistor. The current source is then applied to the ID pin while an internal voltage reference is incremented till it matches the ID pin voltage. This produces a 4-bit ADC value that corresponds to the ID resistance found.

ID Resistor	Tolerance	ID No.	ADC Value
0	1%	0	0000
24k	1%	1	0001
56k	1% or 20%	2	0010
100k	1%	3	0011
130k	1%	4	0100
180k	1%	5	0101
240k	1%	6	0110
330k	1%	7	0111
430k	1%	8	1000
620k	1%	9	1001
910k	1%	10	1010
Open	N/A	11	1011

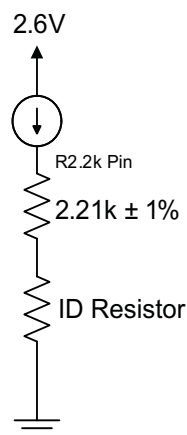


Figure 1. Impedance Detection Circuitry

Supply Detection

The TSU5611 can be powered by either V_{SUPPLY} or V_{BUS} . The TSU5611 will select V_{BUS} as the power source when present and otherwise will select V_{SUPPLY} as the power source when V_{SUPPLY} is present and V_{BUS} is not.

Table 1. Supply Selection and Shut Down Sequence

	V_{SUPPLY}	HANDSET STATUS	MUIC STATUS	POWER SUPPLY
Normal Case	Yes	ON	Active	V_{SUPPLY}
	Yes	OFF(S/W Off)	Shut down	
Sudden Power Loss	Yes	ON	Active	V_{SUPPLY}
	No	OFF	Shut down	
No Battery	No	OFF	Shut down	
	No	ON(V_{BUS})	Active	V_{BUS}
USB Charging	Yes(Charging)	ON(V_{BUS})	Active	V_{BUS}

Standard I²C Interface Details

The bidirectional I²C bus consists of the serial clock (SCL) and serial data (SDA) lines. Both lines must be connected to a positive supply via a pull-up resistor when connected to the output stages of a device. Data transfer may be initiated only when the bus is not busy.

I²C communication with this device is initiated by the master sending a START condition, a high-to-low transition on the SDA input/output while the SCL input is high (see Figure 2). After the start condition, the device address byte is sent, MSB first, including the data direction bit (R/W). This device does not respond to the general call address. After receiving the valid address byte, this device responds with an ACK, a low on the SDA input/output during the high of the ACK-related clock pulse.

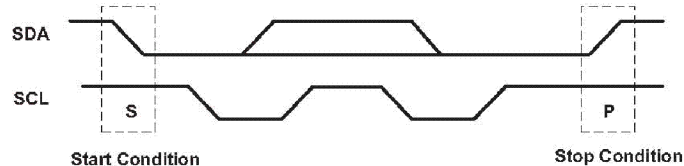


Figure 2. Definition of Start and Stop Conditions

The data byte follows the address ACK. The R/W bit is kept low for transfer from the master to the slave. The data byte is followed by an ACK sent from this device. Data are output only if complete bytes are received and acknowledged. The output data is valid at time (tpv) after the low-to-high transition of SCL, during the clock cycle for the ACK.

On the I²C bus, only one data bit is transferred during each clock pulse. The data on the SDA line must remain stable during the high pulse of the clock period, as changes in the data line at this time are interpreted as control commands (START or STOP) (see Figure 3).

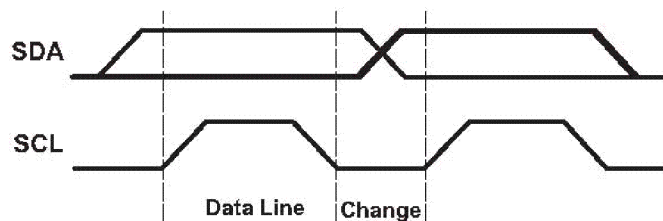


Figure 3. Bit Transfer

A Stop condition, a low-to-high transition on the SDA input/output while the SCL input is high, is sent by the master (see Figure 2).

The number of data bytes transferred between the start and the stop conditions from transmitter to receiver is not limited. Each byte of eight bits is followed by one ACK bit. The transmitter must release the SDA line before the receiver can send an ACK bit.

A slave receiver that is addressed must generate an ACK after the reception of each byte. The device that acknowledges has to pull down the SDA line during the ACK clock pulse so that the SDA line is stable low during the high pulse of the ACK-related clock period (see Figure 4). Setup and hold times must be taken into account.

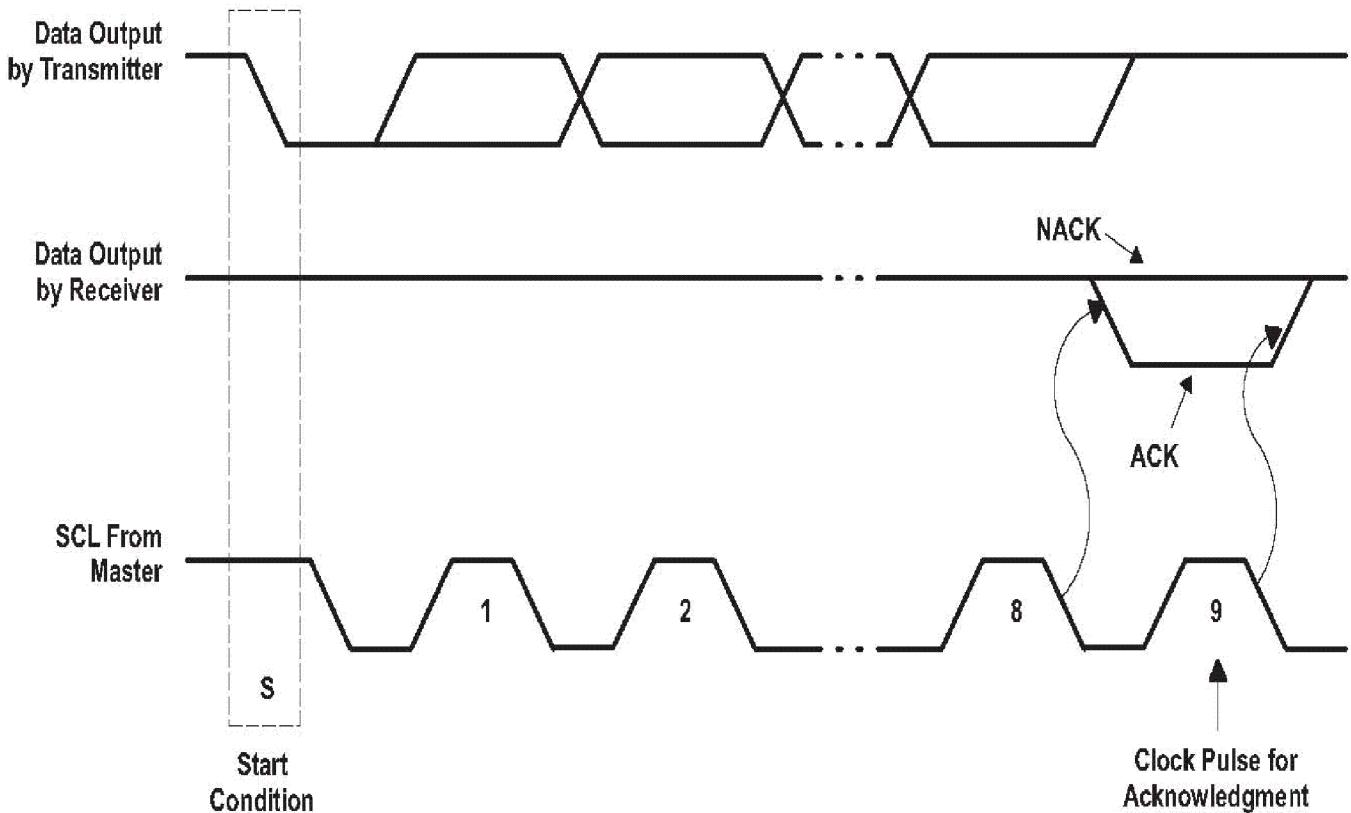


Figure 4. Acknowledgment on I²C Bus

Writes

Data is transmitted to the TSU5611 by sending the device slave address and setting the LSB to a logic 0 (see Figure 5 for device address). The command byte is sent after the address and determines which register receives the data that follows the command byte. The next byte is written to the specified register on the rising edge of the ACK clock pulse.

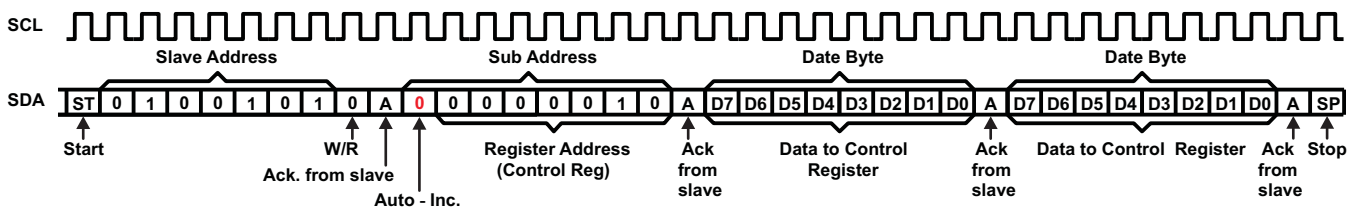


Figure 5. Repeated Data Write to a Single Register

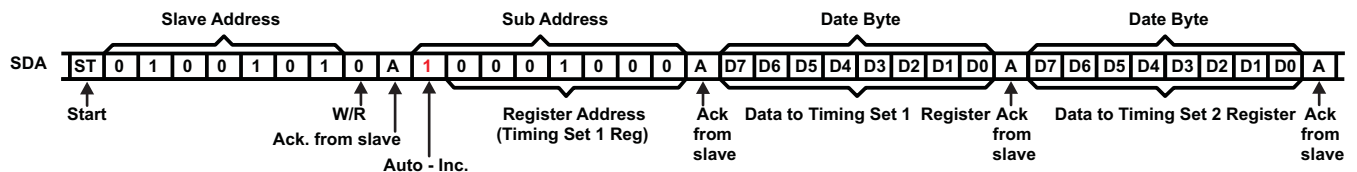


Figure 6. Burst Data Write to Multiple Registers

Reads

The bus master first must send the TSU5611 slave address with the LSB set to logic 0. The command byte is sent after the address and determines which register is accessed. After a restart, the device slave address is sent again but, this time, the LSB is set to logic 1. Data from the register defined by the command byte then is sent by the TSU5611. Data is clocked into the SDA output shift register on the rising edge of the ACK clock pulse. See Figure 7.

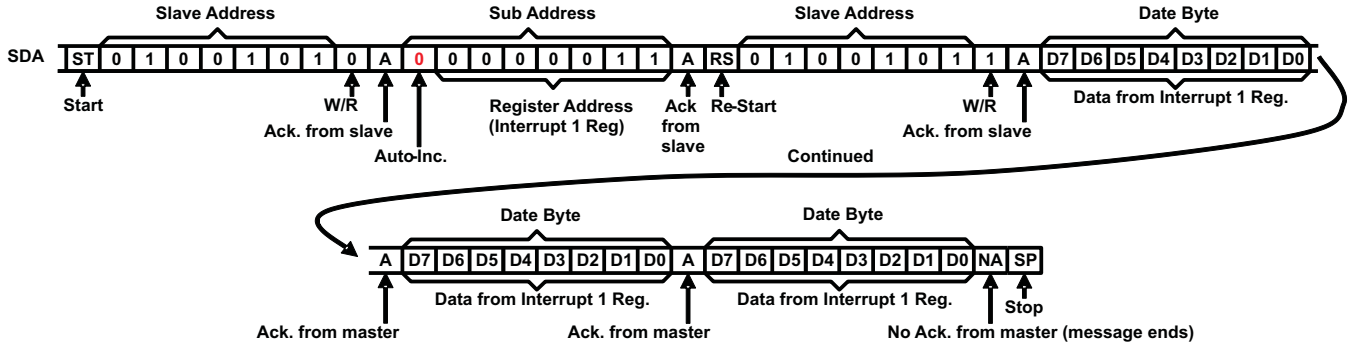


Figure 7. Repeated Data Read from a Single Register – Combined Mode

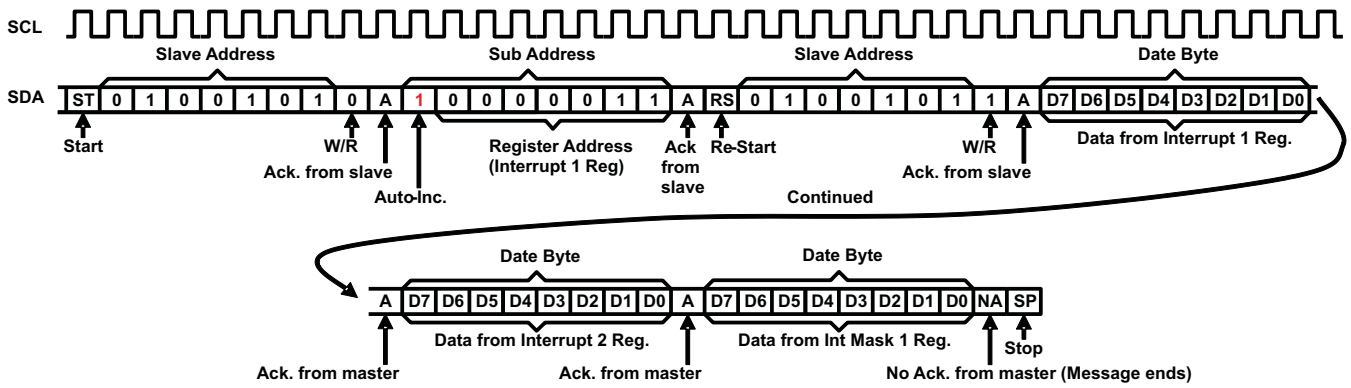


Figure 8. Burst Data Read from Multiple Registers – Combined Mode

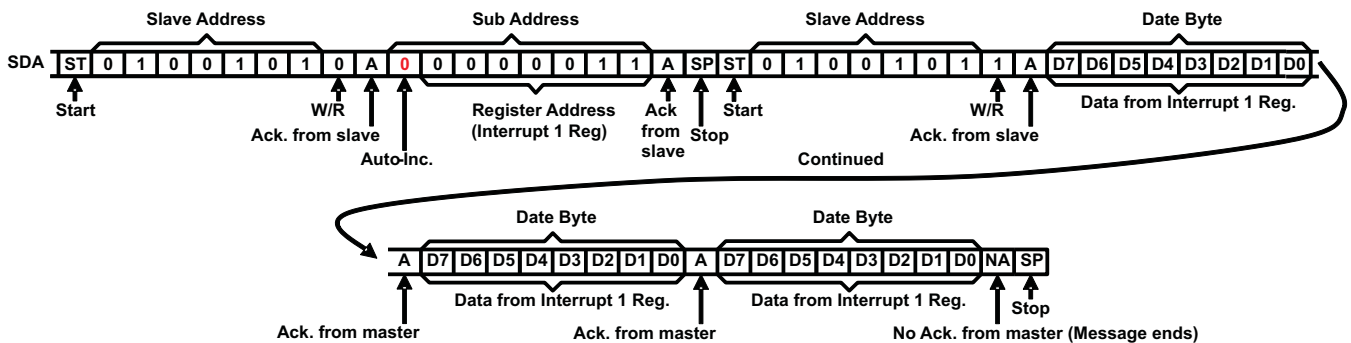


Figure 9. Repeated Data Read from a Single Register – Split Mode

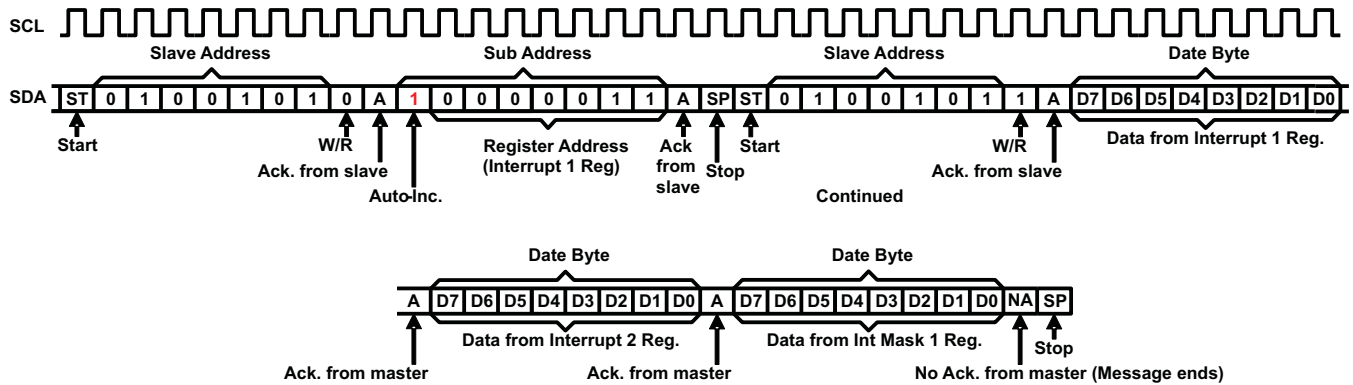


Figure 10. Burst Data Read from Multiple Registers – Split Mode

Notes (Applicable to Figure 5–Figure 10):

- SDA is pulled low on Ack. from slave or Ack. from master.
- Register writes always require sub-address write before first data byte.
- Repeated data writes to a single register continue indefinitely until Stop or Re-Start.
- Repeated data reads from a single register continue indefinitely until No Ack. from master.
- Burst data writes start at the specified register address, then advance to the next register address, even to the read-only registers. For these registers, data write appears to occur, though no data are changed by the writes. After register 14h is written, writing resumes to register 01h and continues until Stop or Re-Start.
- Burst data reads start at the specified register address, then advance to the next register address. Once register 14h is read, reading resumes from register 01h and continues until No Ack. from master.

SOFTWARE FLOWCHART

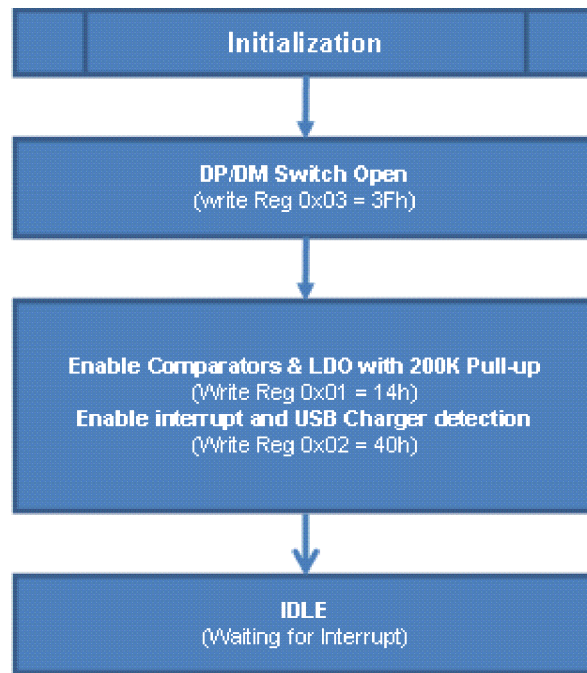


Figure 11. Initialization

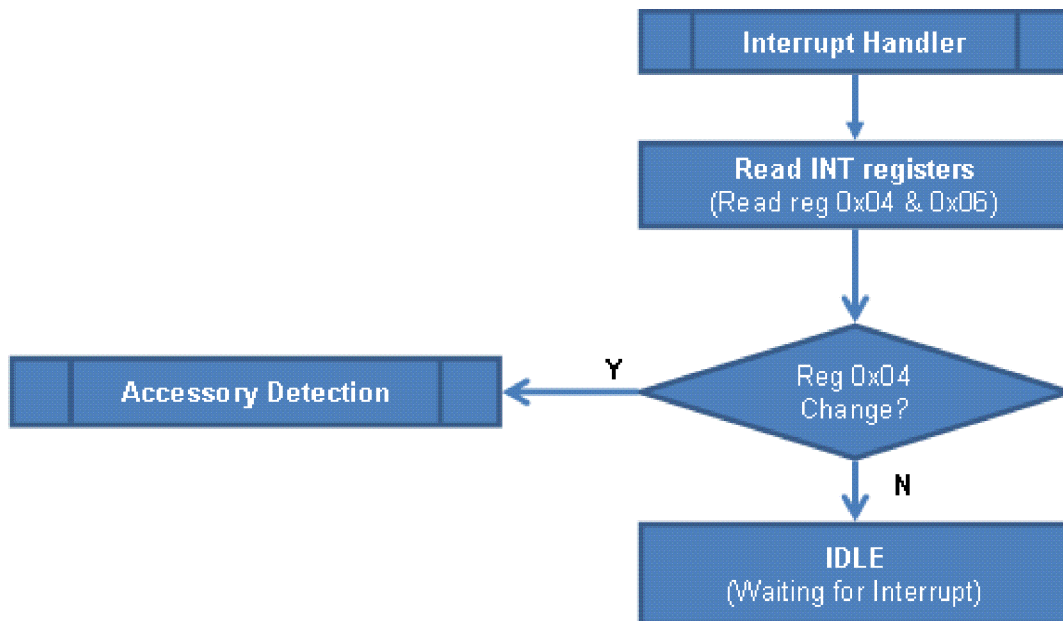


Figure 12. Interrupt Handler

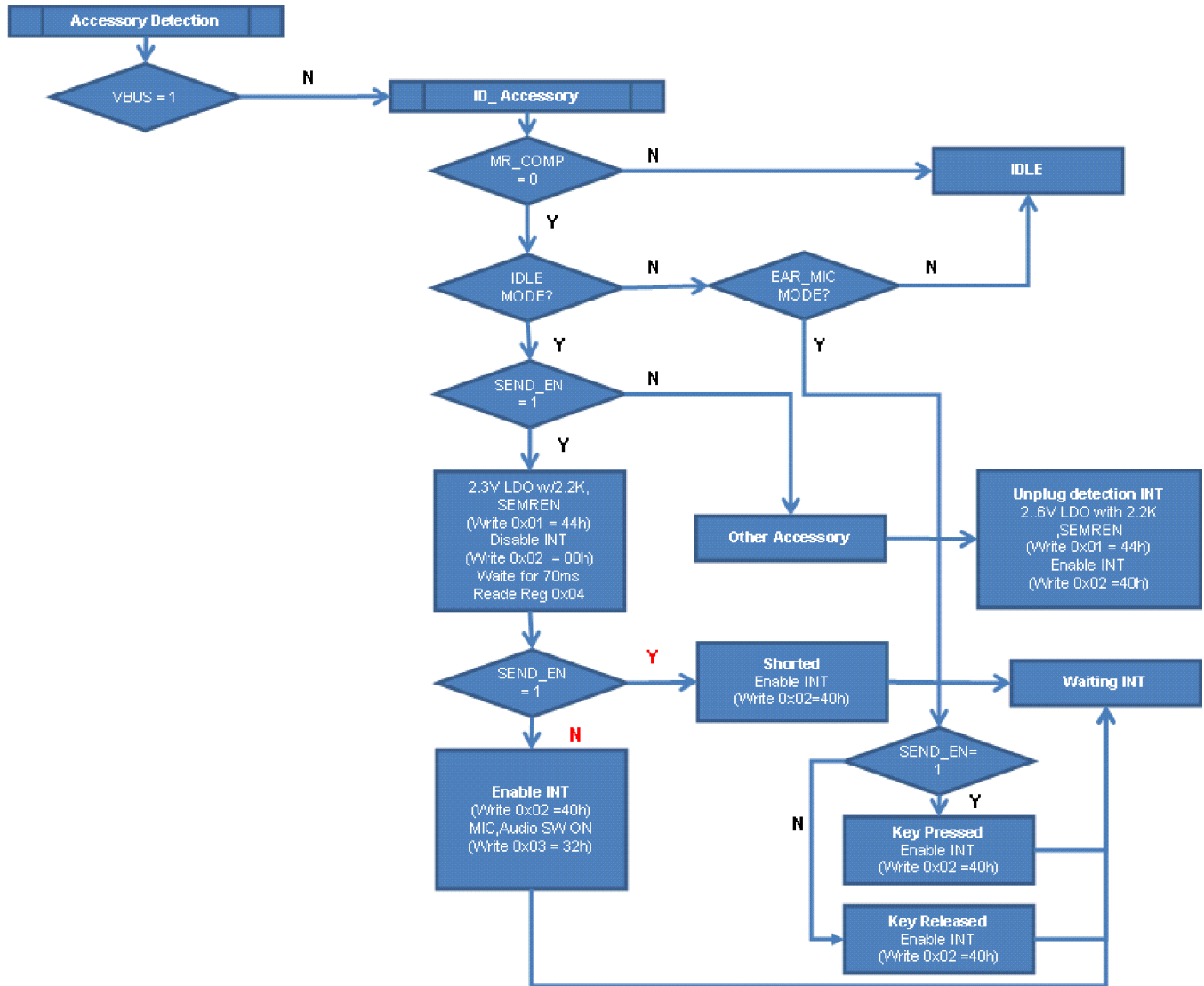


Figure 13. Accessory Detection (1/2)

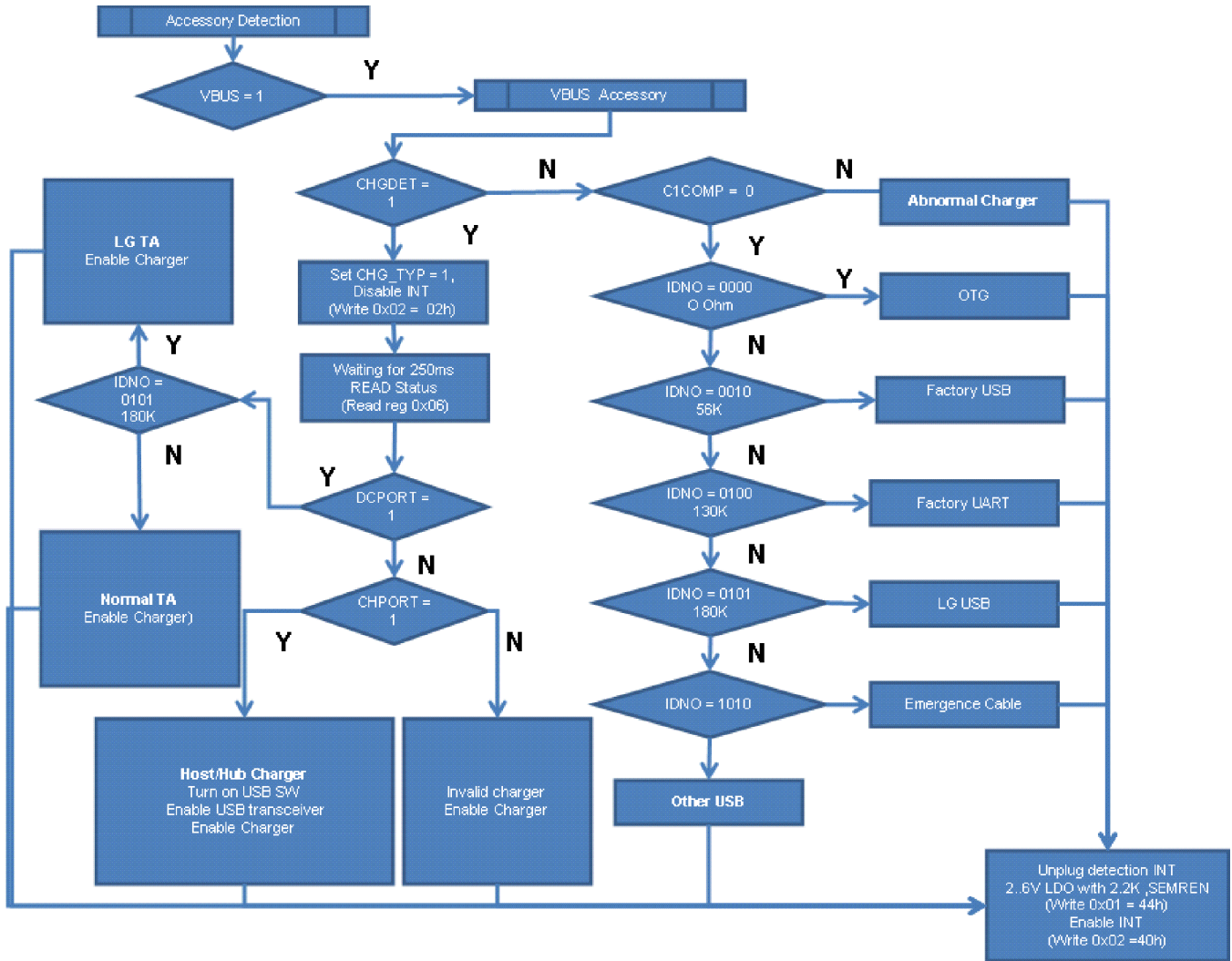


Figure 14. Accessory Detection (2/2)

I²C Register Map⁽¹⁾⁽²⁾

Addr ess (xxh)	Name	TYPE	Reset Value	b7	b6	b5	b4	b3	b2	b1	b0
00	Device ID	R	00011000	VENDOR ID BITS (TI=0001)				REVISION BITS			
01	Control 1	R/W	X0000000	SEMREN2	ID_2P2	ID_620	ID_200	VLDO	SEMREN		
02	Control 2	R/W	0000XX01	INTPOL	INT1_EN	MIC_L P	CP_AUD	MB 200	INT2 EN	CHG_TYP	USB_DET_DIS
03	SW Control	R/W	See ⁽¹⁾		MIC_ON	DP[2:0]		DM[2:0]			
04	INT_Status1	R	00000000 ⁽²⁾	CHGDET	MR_COMP	SEND/ END	VBUS	IDNO[3: 0]			
05	INT_Status2	R	00000000							MR_COMP2	SEND/END2
06	Status	R	00XXXXX0	DCPORT	CHPORT						TIMEOUT_CD

(1) Refer SW_Control register description.

(2) Refer INT_Status1 Note2.

(1) Refer SW_Control register description.

(2) Refer INT_Status1 Note2.

Slave Address

NAME	SIZE (BITS)	DESCRIPTION							
		BIT 7	BIT 6	BIT 5	BIT 4	BIT 3	BIT 2	BIT 1	BIT 0
Slave address	8	1	0	0	0	1	0	0	R/W

Register Descriptions

1. Device ID

Address: 00H

Type: Read

NAME	SIZE (BITS)	DESCRIPTION
Device ID	8	A unique number for chip version 00011000 bits 0-3 = chip revision, bits 4-7 = Vendor ID (TI=0001b)

2. Control 1

Address: 01H

Type: Read and Write

Address (xxh)	Name	TYPE	b7	b6	b5	b4	b3	b2	b1	b0
01	Control 1	R/W	SEMREM2	ID_2P2	ID_620	ID_200	VLDO	SEMREN1		
Reset Value			X	0	0	0	0	0	0	0

NAME	SIZE (BITS)	DESCRIPTION
SEMREN2	1	0: Disable Send/End2 and MIC Removal2 Comparators and LDO 1: Enable Send/End2 and MIC Removal2 Comparators and LDO
ID_2P2	1	0: 2.21 k Ω switch open 1: Connect LDO to ID through 2.21 k Ω external resistor
ID_620	1	0: 620 Ω switch open 1: Connect LDO to ID through 620 Ω internal resistor (Used for Video)
ID_200	1	0: 200 k Ω switch open 1: Connect LDO to ID through 200 k Ω internal resistor
VLDO	1	0: LDO voltage = 2.6V (If Manual Switching Mode) 1: LDO voltage = 2.3V (If Manual Switching Mode)
SEMREN1	1	0: Disable Send/End and MIC Removal Comparators and LDO 1: Enable Send/End and MIC Removal Comparators and LDO

3. Control 2

Address: 02H

Address (xxh)	Name	TYPE	b7	b6	b5	b4	b3	b2	b1	b0
02	Control 2	R/W	INTPOL	INT1_EN	MIC_LP	CP_AUD	MB_200	INT2_EN	CHG_TYP	USB_DET_DIS
Reset Value			0	0	0	0	0	0	0	1

NAME	SIZE (BITS)	DESCRIPTION
INT_POL	1	0: Interrupt Polarity = Active Low
		1: Interrupt Polarity = Active High
INT1_EN	1	0: All Interrupts on INT_Status1 disabled (masked)
		1: All Interrupts on INT_Status1 enabled
MIC_LP	1	0: Low Power mode - MIC power pulsing disabled
		1: Low Power mode - MIC power pulsing enabled
CP_AUD	1	0: Click/Pop resistors on AUDIO_L and AUDIO_R disabled
		1: Click/Pop resistors on AUDIO_L and AUDIO_R enabled
MB_200	1	0: 200 kΩ switch to MIC line open
		1: Connect LDO to MIC through 200 kΩ internal resistor
INT2_EN	1	0: All Interrupts on INT_Status2 disabled (masked)
		1: All Interrupts on INT_Status2 enabled
CHG_TYP	1	0: Charger type detection disabled
		1: Charger type detection enabled
USB_DET_DIS	1	0: USB Detection Enabled
		1: USB Detection Disabled

4. SW_Control

Address: 03H

Address (xxh)	Name	TYPE	b7	b6	b5	b4	b3	b2	b1	b0
03	SW Control	R/W		MIC_ON		DP[2:0]			DM[2:0]	
Reset Value			X	0		See ⁽¹⁾			See ⁽¹⁾	

- (1) The reset value depends on V_{BUS} status at power up. If V_{BUS} presents, the default value depends on DSS pin state (refer **Error! Reference source not found.** session). If V_{BUS} does not present, the default value is 111b (DM/DP switch is open)

NAME	SIZE (BITS)	DESCRIPTION
MIC_ON	1	0: MIC switching path open
		1: MIC switching path connected to ID line
DP	3	000: DP connected to USB_DP
		001: DP connected to UART_TX
		010: DP connected to AUDIO_R
		011: Future Use (right Audio for Video)
		100-111: DP switching path open
DM	3	000: DM connected to USB_DM
		001: DM connected to UART_RX
		010: DM connected to AUDIO_L
		011: Future Use (left Audio for Video)
		100-111: DM switching path open

5. INT_Status1

Address: 04H

Address (xxh)	Name	TYPE	b7	b6	b5	b4	b3	b2	b1	b0
04	INT_Status1	R	CHGDET	MR_COMP	SEND/END	VBUS	IDNO[3:0]			
Reset Value			0	0	0	0	See ⁽¹⁾			

(1) ADC value of the ID pin

NAME	SIZE (BITS)	DESCRIPTION
CHGDET	1	0: High Current Charger Not Detected
		1: High Current Dedicated Charger Detected. The dedicated charger has DP-DM short with less than 50Ω
MR_COMP	1	0: MIC removal comparator low
		1: MIC removal comparator high
SEND/END	1	0: ID line not grounded
		1: ID line grounded (Send/End button pressed)
VBUS	1	0: No power detected on VBUS
		1: Power detected on VBUS
IDNO	4	0000: ADC determined ID impedance = 0 ohms (grounded)
		0001: ADC determined ID impedance = 24 K-ohms
		0010: ADC determined ID impedance = 56 K-ohms
		0011: ADC determined ID impedance = 100 K-ohms
		0100: ADC determined ID impedance = 130 K-ohms
		0101: ADC determined ID impedance = 180 K-ohms
		0110: ADC determined ID impedance = 240 K-ohms
		0111: ADC determined ID impedance = 330 K-ohms
		1000: ADC determined ID impedance = 430 K-ohms
		1001: ADC determined ID impedance = 620 K-ohms
		1010: ADC determined ID impedance = 910 K-ohms
		1011: ADC determined ID impedance = open

6. INT_Status2

Address: 05H

Address (xxh)	Name	TYPE	b7	b6	b5	b4	b3	b2	b1	b0
05	INT_Status2	R							MR_COMP2	SEND/END2
Reset Value									N/A	N/A

NAME	SIZE (BITS)	DESCRIPTION
MR_COMP2	1	0: MIC removal comparator2 low
		1: MIC removal comparator2 high
SEND/END2	1	0: MIC line not grounded
		1: MIC line grounded (Send/End button pressed)

7. Status

Address: 06H

Address (xxh)	Name	TYPE	b7	b6	b5	b4	b3	b2	b1	b0
06	Status	R	DCPORT	CHPORT						TIMEOUT_CD
Reset Value			0	0	X	X	X	X	X	0

NAME	SIZE (BITS)	DESCRIPTION
DCPORT	1	0: No Dedicated charger detected
		1: Dedicated charger detected
CHPORT	1	0: No Charging host port detected
		1: Charging host port detected
TIMEOUT_CD	1	0: No timeout for DP/DM contact detection.
		1: Timeout occurred for DP/DM contact detection.

PARAMETER MEASUREMENT INFORMATION

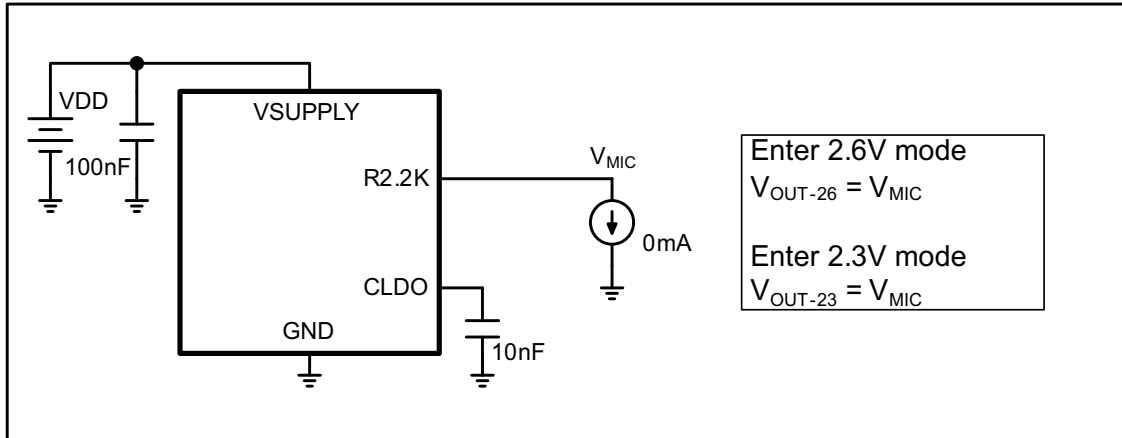


Figure 15. LDO Output Voltage

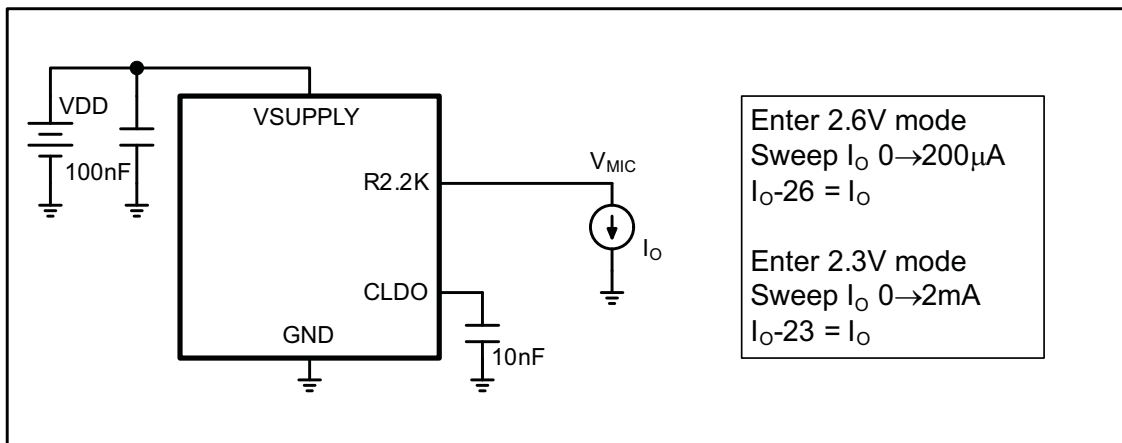


Figure 16. Max Output Current

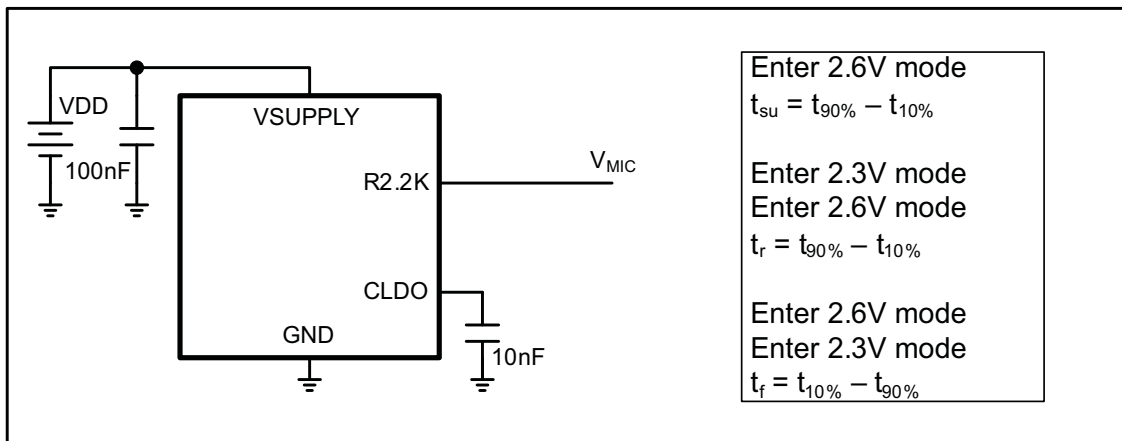


Figure 17. LDO Rise/Fall Time

PARAMETER MEASUREMENT INFORMATION (continued)

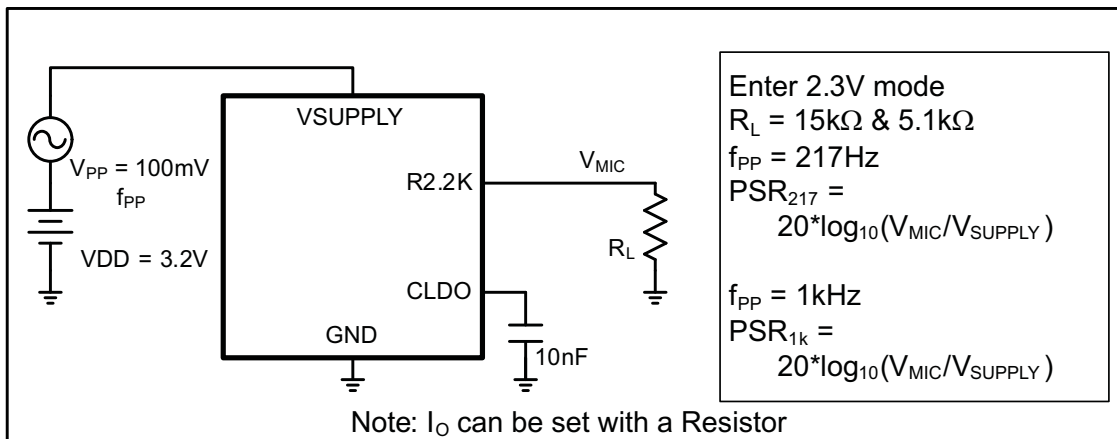


Figure 18. Power Supply Rejection

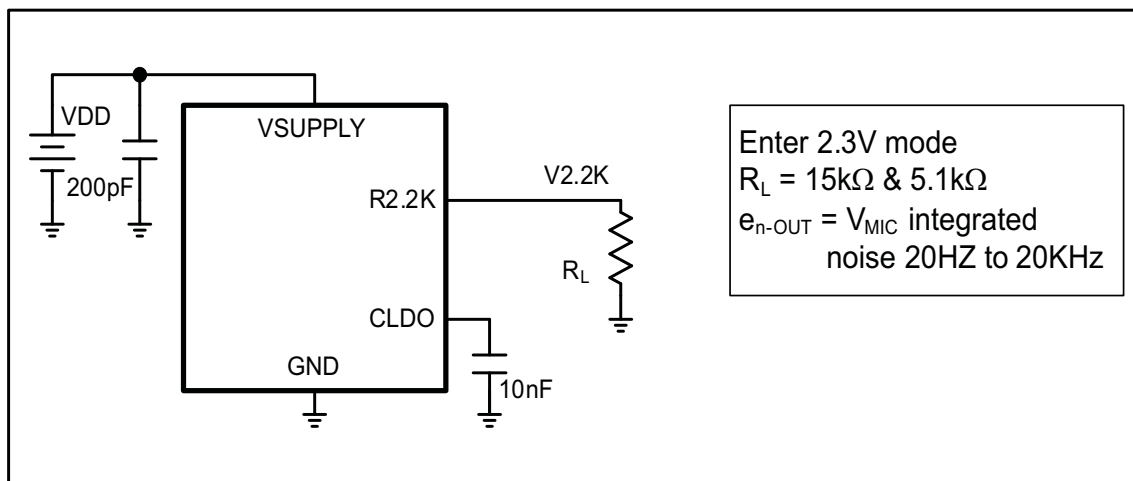


Figure 19. Integrated Output Noise

PACKAGING INFORMATION

Orderable part number	Status (1)	Material type (2)	Package Pins	Package qty Carrier	RoHS (3)	Lead finish/ Ball material (4)	MSL rating/ Peak reflow (5)	Op temp (°C)	Part marking (6)
TSU5611YZPR	Active	Production	DSBGA (YZP) 20	3000 LARGE T&R	Yes	SNAGCU	Level-1-260C-UNLIM	-40 to 85	A7
TSU5611YZPR.B	Active	Production	DSBGA (YZP) 20	3000 LARGE T&R	Yes	SNAGCU	Level-1-260C-UNLIM	-40 to 85	A7

(1) **Status:** For more details on status, see our [product life cycle](#).

(2) **Material type:** When designated, preproduction parts are prototypes/experimental devices, and are not yet approved or released for full production. Testing and final process, including without limitation quality assurance, reliability performance testing, and/or process qualification, may not yet be complete, and this item is subject to further changes or possible discontinuation. If available for ordering, purchases will be subject to an additional waiver at checkout, and are intended for early internal evaluation purposes only. These items are sold without warranties of any kind.

(3) **RoHS values:** Yes, No, RoHS Exempt. See the [TI RoHS Statement](#) for additional information and value definition.

(4) **Lead finish/Ball material:** Parts may have multiple material finish options. Finish options are separated by a vertical ruled line. Lead finish/Ball material values may wrap to two lines if the finish value exceeds the maximum column width.

(5) **MSL rating/Peak reflow:** The moisture sensitivity level ratings and peak solder (reflow) temperatures. In the event that a part has multiple moisture sensitivity ratings, only the lowest level per JEDEC standards is shown. Refer to the shipping label for the actual reflow temperature that will be used to mount the part to the printed circuit board.

(6) **Part marking:** There may be an additional marking, which relates to the logo, the lot trace code information, or the environmental category of the part.

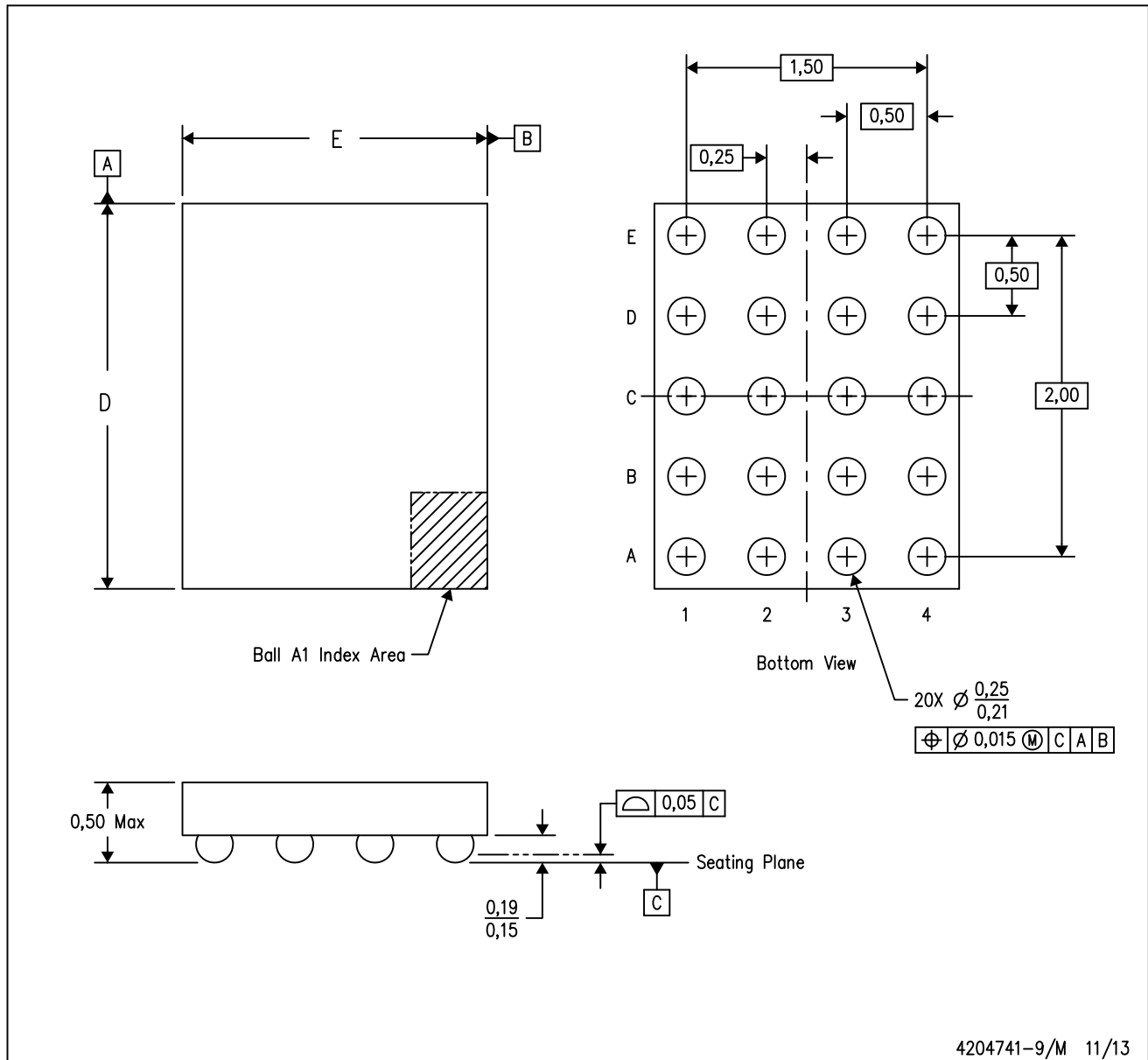
Multiple part markings will be inside parentheses. Only one part marking contained in parentheses and separated by a "~" will appear on a part. If a line is indented then it is a continuation of the previous line and the two combined represent the entire part marking for that device.

Important Information and Disclaimer:The information provided on this page represents TI's knowledge and belief as of the date that it is provided. TI bases its knowledge and belief on information provided by third parties, and makes no representation or warranty as to the accuracy of such information. Efforts are underway to better integrate information from third parties. TI has taken and continues to take reasonable steps to provide representative and accurate information but may not have conducted destructive testing or chemical analysis on incoming materials and chemicals. TI and TI suppliers consider certain information to be proprietary, and thus CAS numbers and other limited information may not be available for release.

In no event shall TI's liability arising out of such information exceed the total purchase price of the TI part(s) at issue in this document sold by TI to Customer on an annual basis.

YZP (R-XBGA-N20)

DIE-SIZE BALL GRID ARRAY



- NOTES:
- A. All linear dimensions are in millimeters. Dimensioning and tolerancing per ASME Y14.5M-1994.
 - B. This drawing is subject to change without notice.
 - C. NanoFree™ package configuration.

NanoFree is a trademark of Texas Instruments.

重要通知和免责声明

TI“按原样”提供技术和可靠性数据（包括数据表）、设计资源（包括参考设计）、应用或其他设计建议、网络工具、安全信息和其他资源，不保证没有瑕疵且不做任何明示或暗示的担保，包括但不限于对适销性、与某特定用途的适用性或不侵犯任何第三方知识产权的暗示担保。

这些资源可供使用 TI 产品进行设计的熟练开发人员使用。您将自行承担以下全部责任：(1) 针对您的应用选择合适的 TI 产品，(2) 设计、验证并测试您的应用，(3) 确保您的应用满足相应标准以及任何其他安全、安保法规或其他要求。

这些资源如有变更，恕不另行通知。TI 授权您仅可将这些资源用于研发本资源所述的 TI 产品的相关应用。严禁以其他方式对这些资源进行复制或展示。您无权使用任何其他 TI 知识产权或任何第三方知识产权。对于因您对这些资源的使用而对 TI 及其代表造成的任何索赔、损害、成本、损失和债务，您将全额赔偿，TI 对此概不负责。

TI 提供的产品受 [TI 销售条款](#)、[TI 通用质量指南](#) 或 [ti.com](#) 上其他适用条款或 TI 产品随附的其他适用条款的约束。TI 提供这些资源并不会扩展或以其他方式更改 TI 针对 TI 产品发布的适用的担保或担保免责声明。除非德州仪器 (TI) 明确将某产品指定为定制产品或客户特定产品，否则其产品均为按确定价格收入目录的标准通用器件。

TI 反对并拒绝您可能提出的任何其他或不同的条款。

版权所有 © 2025，德州仪器 (TI) 公司

最后更新日期：2025 年 10 月