

TPS65197x: 支持无电荷共享、2 通道电荷共享和 3 通道电荷共享的 8 通道电平转换器，关断期间面板放电至 VGH

1 特性

- 8 通道电平转换器 (STV, RESET, 6 × CLK)
- 高输出电压电平 16.5V 至 45V (VGH)
- 低输出电压电平低至 -20V (VGL)
- 可选的电荷共享
 - 无电荷共享
 - 2 通道电荷共享
 - 3 通道电荷共享
- 2 通道面板放电
- T-CON 故障检测
 - TPS65197: 依靠 STV 脉冲进行逻辑复位
 - TPS65197B: 无逻辑复位
- 锁存关断检测 (时钟至 VGH)
- 支持 100kHz 时钟运行频率
- 28 引脚 4mm x 4mm 四方扁平无引线 (QFN) 封装

2 应用

- Gate-in-Panel (GIP) LCD
 - 笔记本电脑
 - 显示器
 - 电视

3 说明

TPS65197/B 是一款带有放电功能 8 通道电平转换器，可适用于 LCD 显示应用，如笔记本电脑、监视器和电视。

此器件将时序控制器 (T-CON) 逻辑电平信号转换为 Gate-in-Panel (GIP) 显示器所需的高电平信号。

时钟输出 CLKOUTx 支持正常电平转换操作以及 2 通道或 3 通道电荷共享，可用于改善画质和功耗。断电时，所有输出尽可能地遵循其输入信号；使用放电功能时，输出会被拉为高电平 (V_{GH})。

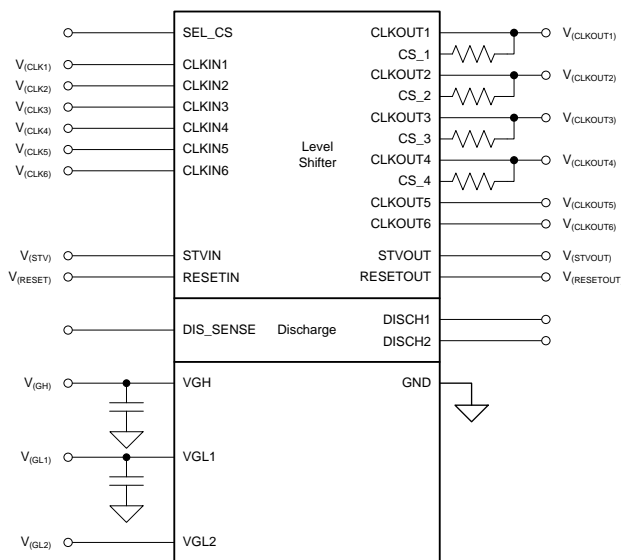
TPS65197 会在 STV 上升沿 (该上升沿会将所有 6 个输出时钟强制为 VGL1) 之后执行逻辑复位以忽略错误的 T-CON 信号。下一个 CLKIN1 上升沿会解锁逻辑并使能正常操作。TPS65197B 不具备逻辑复位，且所有输出信号始终跟踪其输入信号。

器件信息⁽¹⁾

器件型号	封装	封装尺寸 (标称值)
TPS65197	WQFN (28)	4.00mm x 4.00mm
TPS65197B	WQFN (28)	4.00mm x 4.00mm

(1) 如需了解所有可用封装，请见数据表末尾的可订购产品附录。

4 简化电路原理图



目录

1	特性	1	8.3	Feature Description	9
2	应用	1	8.4	Device Functional Modes	10
3	说明	1	9	Application and Implementation	15
4	简化电路原理图	1	9.1	Application Information	15
5	修订历史记录	2	9.2	Typical Application	15
6	Pin Configuration and Functions	3	10	Power Supply Recommendations	18
7	Specifications	4	11	Layout	19
7.1	Absolute Maximum Ratings	4	11.1	Layout Guidelines	19
7.2	ESD Ratings	4	11.2	Layout Example	19
7.3	Recommended Operating Conditions	4	12	器件和文档支持	20
7.4	Thermal Information	5	12.1	文档支持	20
7.5	Electrical Characteristics	5	12.2	相关链接	20
7.6	Switching Characteristics	6	12.3	社区资源	20
7.7	Typical Characteristics	7	12.4	商标	20
8	Detailed Description	8	12.5	静电放电警告	20
8.1	Overview	8	12.6	Glossary	20
8.2	Functional Block Diagram	8	13	机械、封装和可订购信息	20

5 修订历史记录

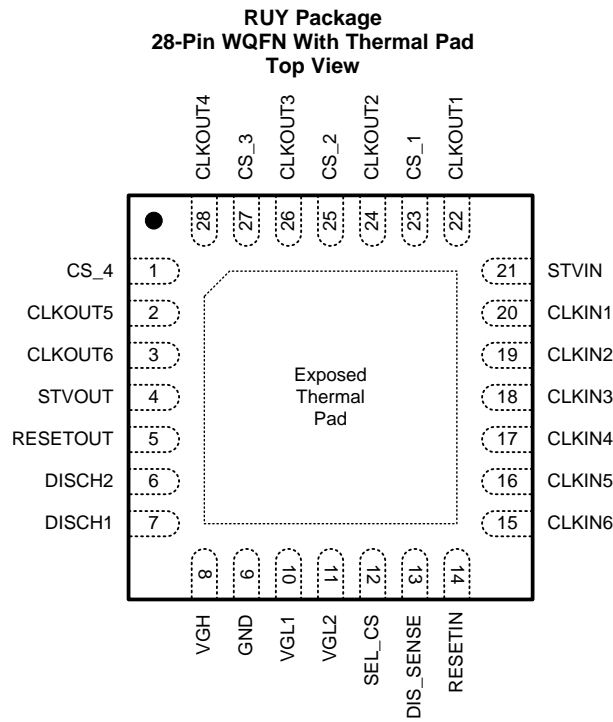
Changes from Revision C (May 2017) to Revision D	Page
• 首次公开发布的数据表。	1

Changes from Revision B (July 2015) to Revision C	Page
• Changed V_{IH} MIN value from 2 to 1.65 in the INPUT SIGNALS section of the Electrical Characteristics table	5

Changes from Revision A (June 2015) to Revision B	Page
• 已添加 TPS65197B 器件并更改了简化电路原理图	1

Changes from Original (April 2012) to Revision A	Page
• 添加了 ESD 额定值表、时序要求表、特性 说明 部分、器件功能模式、应用和实施部分、电源相关建议部分、布局部分、器件和文档支持部分以及机械、封装和可订购信息部分。	1
• 已添加 TPS65197B	1
• Changed the text in the first paragraph of <i>Output Clock Behavior</i>	10
• 已添加 器件和文档支持部分以及机械、封装和可订购信息部分	20

6 Pin Configuration and Functions



Pin Functions

PIN		I/O/P	DESCRIPTION
NAME	NUMBER		
CLKIN1	20	I	Clock 1 input
CLKIN2	19	I	Clock 2 input
CLKIN3	18	I	Clock 3 input
CLKIN4	17	I	Clock 4 input
CLKIN5	16	I	Clock 5 input
CLKIN6	15	I	Clock 6 input
CLKOUT1	22	I/O	Clock 1 output
CLKOUT2	24	I/O	Clock 2 output
CLKOUT3	26	I/O	Clock 3 output
CLKOUT4	28	I/O	Clock 4 output
CLKOUT5	2	I/O	Clock 5 output
CLKOUT6	3	I/O	Clock 6 output
CS_1	23	I/O	Clock 1 charge-sharing input
CS_2	25	I/O	Clock 2 charge-sharing input
CS_3	27	I/O	Clock 3 charge-sharing input
CS_4	1	I/O	Clock 4 charge-sharing input
DISCH1	7	I/O	Discharge 1 output. Internally connected to VGL1 and VGH
DISCH2	6	I/O	Discharge 2 output. Internally connected to VGL2 and VGH
DIS_SENSE	13	I	Discharge sense terminal
GND	9	–	Ground
RESETIN	14	I	RESET input
RESETOUT	5	I/O	RESET output

Pin Functions (continued)

PIN		I/O/P	DESCRIPTION
NAME	NUMBER		
SEL_CS	12	I	Charge-sharing method-selection terminal. When left floating or pulled to GND, charge-sharing is disabled.
STVIN	21	I	STV input
STVOUT	4	I/O	STV output
VGH	8	P	Positive supply voltage. Place a buffer capacitor close to this terminal.
VGL1	10	P	Negative supply voltage for all outputs except discharge 2. Place a buffer capacitor close to this terminal.
VGL2	11	P	Negative supply voltage for discharge 2
Thermal pad	–	–	The thermal pad is connected to VGL1.

7 Specifications

7.1 Absolute Maximum Ratings

over operating free-air temperature range (unless otherwise noted)

	MIN	MAX	UNIT	
Terminal voltage ⁽¹⁾	SEL_CS, DIS_SENSE, CLKIN1, CLKIN2, CLKIN3, CLKIN4, CLKIN5, CLKIN6, STVIN, RESETIN	–0.3	7	V
	VGH	–0.3	50	
	VGL1, VGL2	–25	0.3	
	CLKOUT1, CLKOUT2, CLKOUT3, CLKOUT4, CLKOUT5, CLKOUT6, CS_1, CS_2, CS_3, CS_4, STVOUT, RESETOUT, DISCH1, DISCH2	–25	50	
	VGH – VGLx		62	
	VGL1 – VGL2	–20	0	
Operating junction temperature, T _J	–40	150	°C	
Storage temperature, T _{stg}	–65	150		

(1) With respect to the GND terminal

7.2 ESD Ratings

	VALUE	UNIT	
V _(ESD) Electrostatic discharge	Human-body model (HBM), per ANSI/ESDA/JEDEC JS-001 ⁽¹⁾	±2000	V
	Charged-device model (CDM), per JEDEC specification JESD22-C101 ⁽²⁾	±700	

(1) JEDEC document JEP155 states that 500-V HBM allows safe manufacturing with a standard ESD control process.

(2) JEDEC document JEP157 states that 250-V CDM allows safe manufacturing with a standard ESD control process.

7.3 Recommended Operating Conditions

over operating free-air temperature range (unless otherwise noted)

	MIN	NOM	MAX	UNIT
V _(GH) Voltage range of positive supply	16.5		45	V
V _(GL_x) Voltage range of negative supply	–20		–3	
V _(GH) – V _(GL_x) Voltage difference between V _(GH) and V _(GL_x)	0		60	
V _{GL1} – V _{GL2} Voltage difference between V _(GL1) and V _(GL2) (V _(GL1) must be more negative than V _(GL2))	–20		0	
T _A Operating free-air temperature	–40		85	°C
T _J Operating junction temperature	–40		125	

7.4 Thermal Information

THERMAL METRIC ⁽¹⁾		TPS65197/B	UNIT
		RUY	
		28 PINS	
R _{θJA}	Junction-to-ambient thermal resistance	34.5	°C/W
R _{θJctop}	Junction-to-case (top) thermal resistance	25.5	
R _{θJB}	Junction-to-board thermal resistance	7.5	
ψ _{JT}	Junction-to-top characterization parameter	0.2	
ψ _{JB}	Junction-to-board characterization parameter	7.5	
R _{θJcbot}	Junction-to-case (bottom) thermal resistance	2.5	

(1) For more information about traditional and new thermal metrics, see the *Semiconductor and IC Package Thermal Metrics* application report, [SPRA953](#).

7.5 Electrical Characteristics

V_(GH) = 30 V, V_(GL1) = -10 V, V_(GL2) = -8 V, T_A = -40°C to 85°C, typical values are at T_A = 25°C (unless otherwise noted)

PARAMETER	TEST CONDITIONS	MIN	TYP	MAX	UNIT	
V _(GH)	Input voltage range V _(GH)	16.5		45	V	
V _(GL1)	Input voltage range V _(GL1)	-20		-3		
V _(GL2)	Input voltage range V _(GL2)	-20		-3		
I _(GH)	Positive supply current		0.3	1	mA	
I _(GL1)	Negative supply current	CLKINx = STVIN = RESETIN = SEL_CS = 0 V, DIS_SENSE = 5 V		-0.5		
I _(GL2)	Negative supply current			-0.5		
V _(UVLO)	Undervoltage lockout threshold	V _(GH) rising, T _J = -40°C to 85°C		13.5	V	
		V _(GH) falling, T _J = -40°C to 85°C		2		
T _(SD)	Thermal shutdown temperature	T _J rising	130	150	170	°C
INPUT SIGNALS (CLKINx, STVIN, RESETIN, SEL_CS, DIS_SENSE)						
V _{IH}	High-level input voltage CLKINx, STVIN, RESETIN	Input rising	1.65		V	
V _{IL}	Low-level input voltage CLKINx, STVIN, RESETIN	Input falling		0.8		
V _(SEL_CS)	Charge-sharing-disabled voltage			0.5		
	3-Channel Charge-Sharing voltage		1	2		
	2-Channel Charge-Sharing voltage		2.8	6.5		
V _(DIS_SENSE)	Discharge detection threshold	V _(DIS_SENSE) falling, T _J = 0°C to 85°C	1.17	1.26		1.36
I _{IN}	Input current CLKINx, STVIN, RESETIN, DIS_SENSE	CLKINx = STVIN = RESETIN = DIS_SENSE = 5 V		2	100	nA
	Input current SEL_CS	SEL_CS = 5 V		50	100	µA
R _(SEL_CS)	SEL_CS pin, internal pulldown resistance		50	100	150	kΩ
LEVEL SHIFTERS (CLKOUT1 to CLKOUT6)						
r _{DS(on)}	High-side on-resistance, CLKOUTx	I _(OUT) = 10 mA, sourcing (high side)		11	25	Ω
	Low-side on-resistance, CLKOUTx	I _(OUT) = 10 mA, sinking (low side)		7	15	
R _(CS)	Internal charge-sharing resistance	I _(CS) = 10 mA, T _J = -40°C to 85°C	30	60	100	
LEVEL SHIFTERS (STVOUT, RESETOUT)						
r _{DS(on)}	High-side on-resistance STVOUT, RESETOUT	I _(OUT) = 10 mA, sourcing (high side)		30	60	Ω
	Low-side on-resistance STVOUT, RESETOUT	I _(OUT) = 10 mA, sinking (low side)		15	30	

Electrical Characteristics (continued)

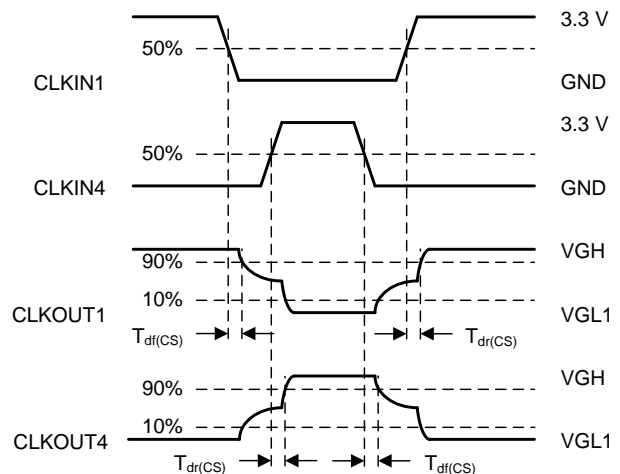
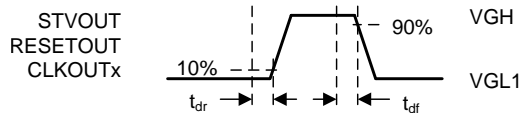
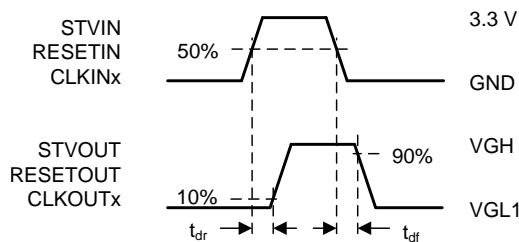
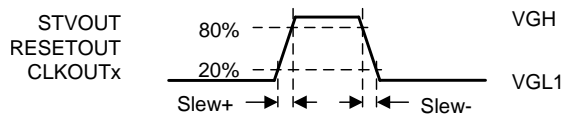
$V_{(GH)} = 30\text{ V}$, $V_{(GL1)} = -10\text{ V}$, $V_{(GL2)} = -8\text{ V}$, $T_A = -40^\circ\text{C}$ to 85°C , typical values are at $T_A = 25^\circ\text{C}$ (unless otherwise noted)

PARAMETER		TEST CONDITIONS	MIN	TYP	MAX	UNIT
DISCHARGE OUTPUTS (DISCH1, DISCH2)						
$r_{DS(on)}$	High-side on-resistance, DISCH1	$I_{(OUT)} = 10\text{ mA}$, sourcing (high side)		14	60	Ω
	Low-side on-resistance DISCH1	$I_{(OUT)} = 10\text{ mA}$, sinking (low side)		3	10	
	High-side on-resistance, DISCH2	$I_{(OUT)} = 10\text{ mA}$, sourcing (high side)		14	60	
	Low-side on-resistance DISCH2	$I_{(OUT)} = 10\text{ mA}$, sinking (low side)		10	20	

7.6 Switching Characteristics

over operating free-air temperature range (unless otherwise noted)

			MIN	NOM	MAX	UNIT
LEVEL SHIFTERS (CLKOUT1 to CLKOUT6)						
Slew+	Slew rate, rising	$C_{(OUT)} = 4.7\text{ nF}$, $V_{(OUT)} = 20\%$ to 80%	50	140		$\text{V}/\mu\text{s}$
Slew-	Slew rate, falling		50	150		
t_{dr}	Propagation delay	$V_{(OUT)}$ rising, $C_{(OUT)} = 150\text{ pF}$		40	100	ns
t_{df}		$V_{(OUT)}$ falling, $C_{(OUT)} = 150\text{ pF}$		50	100	
$t_{dr(CS)}$		$V_{(OUT)}$ rising, $C_{(OUT)} = 150\text{ pF}$, $R_{(CS)} = 50\ \Omega$		50	150	
$t_{df(CS)}$		$V_{(OUT)}$ falling, $C_{(OUT)} = 150\text{ pF}$, $R_{(CS)} = 50\ \Omega$		70	150	
LEVEL SHIFTERS (STVOUT, RESETOUT)						
Slew+	Slew rate, rising	$C_{(OUT)} = 4.7\text{ nF}$, $V_{(OUT)} = 20\%$ to 80%	20	50		$\text{V}/\mu\text{s}$
Slew-	Slew rate, falling		30	60		
t_{dr}	Propagation delay	$V_{(OUT)}$ rising, $C_{(OUT)} = 150\text{ pF}$		40	100	ns
t_{df}		$V_{(OUT)}$ falling, $C_{(OUT)} = 150\text{ pF}$		50	100	



7.7 Typical Characteristics

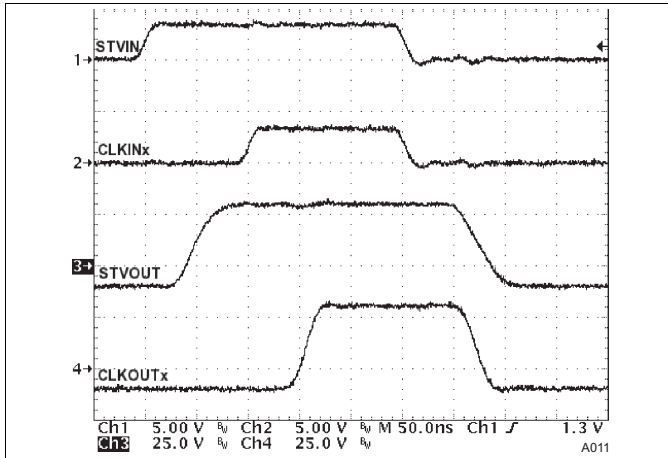


图 1. Propagation Delay, Charge Sharing Disabled

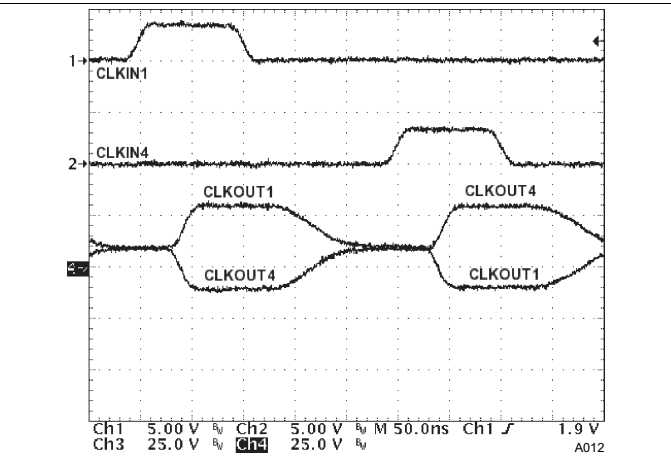


图 2. Propagation Delay, Charge Sharing Enabled

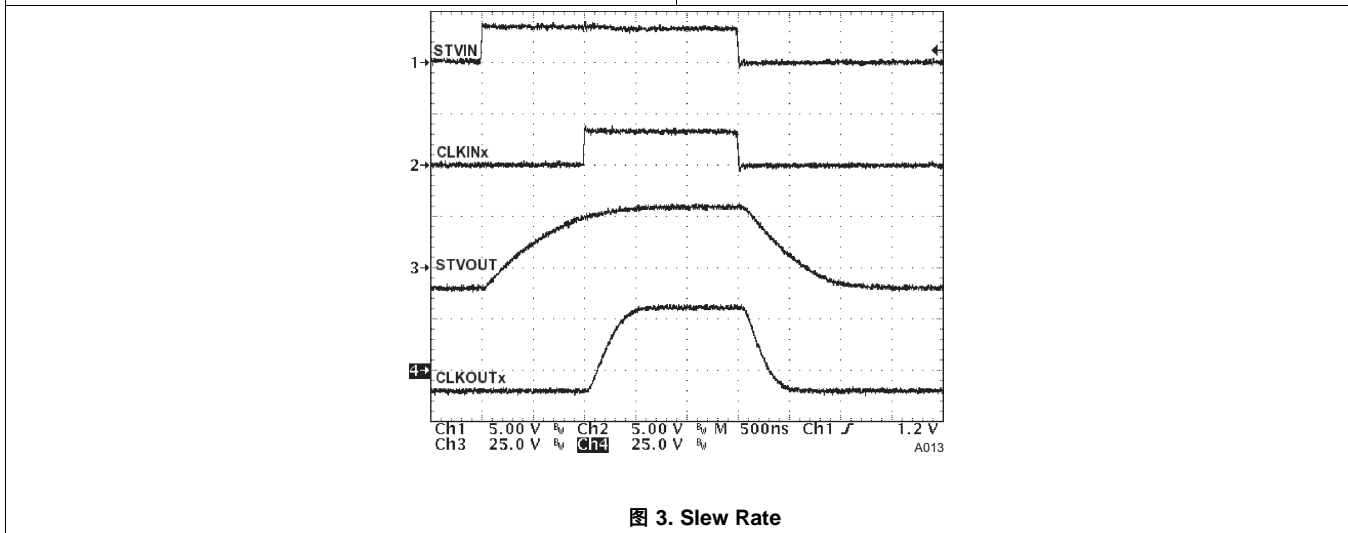


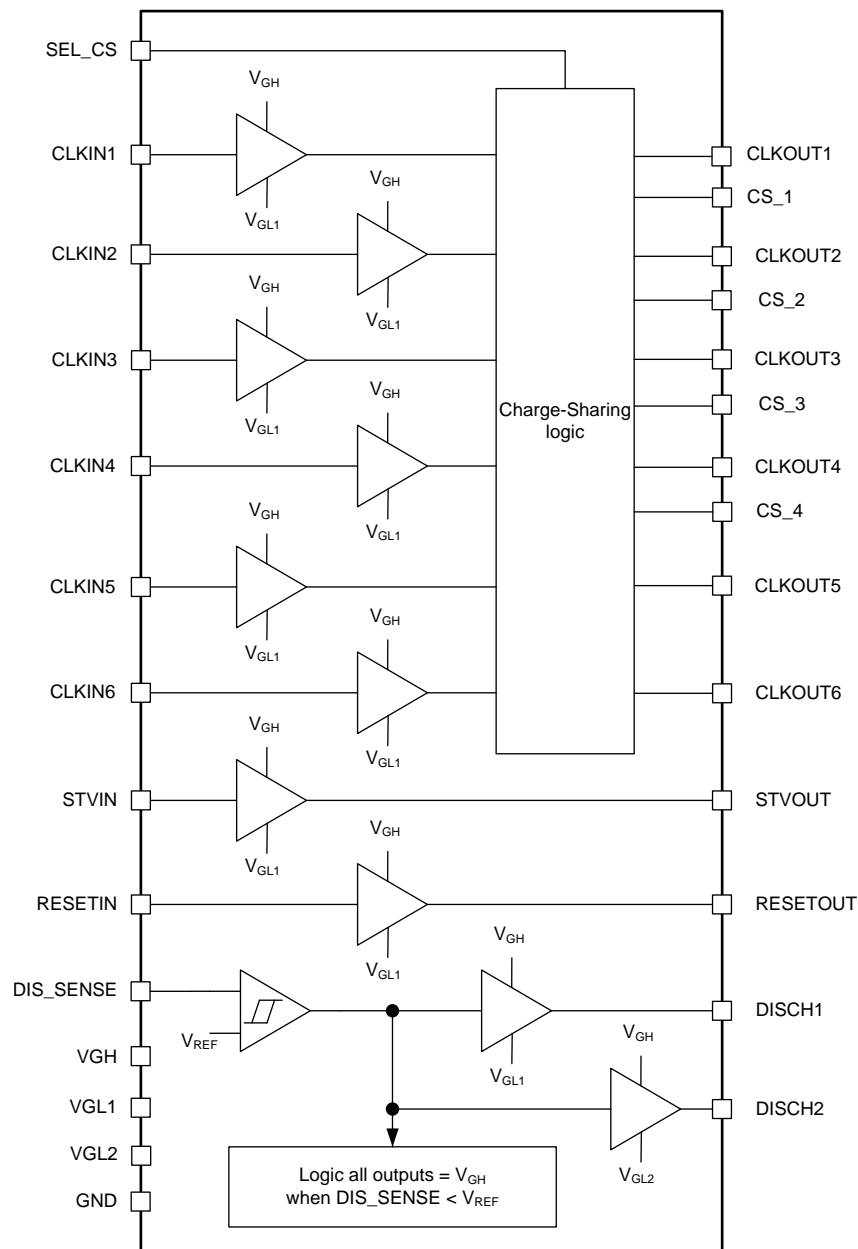
图 3. Slew Rate

8 Detailed Description

8.1 Overview

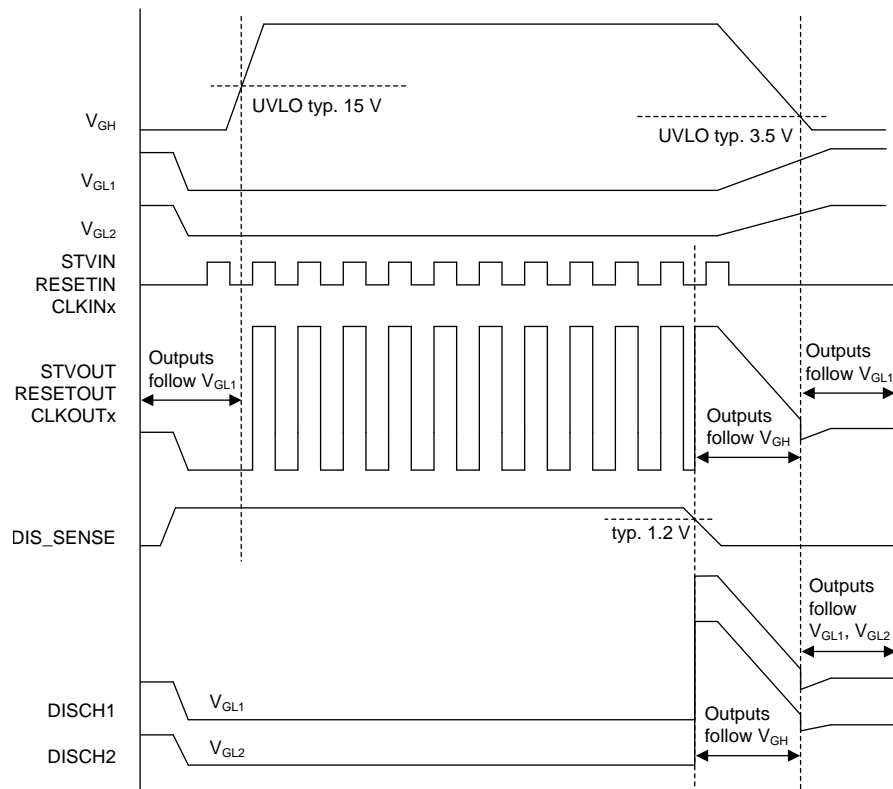
The TPS65197/B is a 8-channel level-shifter with optional discharge function during shut-down. It supports no charge-sharing as well as 2-channel and 3-channel charge-sharing. Two channels are used to generate the STV and RESET signal, the remaining 6 channels generate the clocks. The two discharge outputs (DISCH1 and DISCH2) are connected to VGL1 and VGL2 during operation, at shutdown both discharge outputs are connected to VGH.

8.2 Functional Block Diagram



8.3 Feature Description

8.3.1 Sequencing



8.3.2 Power Up

At power up V_{GL1} and V_{GL2} must be present before V_{GH} is rising. V_{GL1} must be always more negative or equal to V_{GL2} , V_{GH} should not rise faster than in 100 μ s. All clock output channels and DISCH1 follow V_{GL1} , DISCH2 follows V_{GL2} until V_{GH} rises above its rising UVLO threshold voltage of 15 V, then all clock output channels of the TPS65197B follow their input signals. The TPS65197 has a different startup behavior as CLKOUT1 to CLKOUT6 are forced to V_{GL1} until the 1st rising edge of CLKIN1 releases all clocks. The discharge-sense (DIS_SENSE) voltage must be higher than its maximum threshold voltage of 1.36 V before V_{GH} reaches the rising UVLO threshold of 15 V, otherwise all outputs are forced to V_{GH} and the state is latched. The selected Charge-Sharing method is latched when V_{GH} reaches the rising UVLO according to the SEL_CS voltage, it is reset with the falling UVLO.

8.3.3 Power Down

When the discharge-sense (DIS_SENSE) voltage falls below its typical threshold voltage of 1.26 V, all clock output channels follow V_{GH} until V_{GH} falls below its typical falling UVLO threshold voltage of 3.5 V; then all clock output channels and DISCH1 follow V_{GL1} , DISCH2 follows V_{GL2} . Once discharge-sense is triggered the state is latched, to reset and continue normal operation V_{GH} has to fall below the falling UVLO threshold of 3.5 V.

In case the discharge-sense (DIS_SENSE) voltage stays high during power down, all clock output channels follow their input signals until V_{GH} falls below its typical falling UVLO threshold voltage of 3.5 V; then all clock output channels follow V_{GL1} . The discharge channels follow V_{GL1} and V_{GL2} all the time.

8.3.4 Disabling the Discharge Function

When the discharge function is not used, the DIS_SENSE pin must be pulled above its maximum threshold voltage of 1.36 V all the time (for example to 3.3 V).

Feature Description (接下页)

8.3.5 Undervoltage Lockout

To avoid improper operation of the device at low input voltages, an undervoltage lockout function is implemented. When V_{GH} is below the UVLO threshold each output channel is clamped to its respective negative supply, V_{GL1} or V_{GL2} .

8.3.6 Thermal Shutdown

A thermal shutdown is implemented to prevent damage because of excessive heat or power dissipation. Once the junction temperature exceeds a typical value of 150 °C, all outputs are set to high-impedance. This state is latched. V_{GH} must fall below the falling UVLO (3.5 V) to reset the thermal shutdown.

8.4 Device Functional Modes

8.4.1 Output Clock Behavior

The STV and RESET channels always follow their inputs while the clocks 1 to 6 behave different for TPS65197 and TPS65197B.

TPS65197:

At startup the output signals CLKOUT1 to CLKOUT6 are forced low (V_{GL1}) until the first rising edge of CLKOUT1 releases all clocks. Every rising edge of STVIN stops the Charge-Sharing and resets the output signals CLKOUT1 to CLKOUT6 (that is, forced low) until the next rising edge of CLKIN1 after which the clock outputs follow their inputs again. The rising edge of CLKIN1 should occur not sooner than 50 ns after the rising edge of STVIN. This logic ensures a proper reset and a clean start every frame.

TPS65197B:

The TPS65197B does not have the reset logic as TPS65197 and all outputs always follow their input signals (also at startup). If Charge-Sharing is activated every rising edge of STVIN stops the Charge-Sharing and the output signals CLKOUT1 to CLKOUT6 follow their input signals. The next Charge-Sharing event should not occur sooner than 50 ns after the rising edge of STVIN.

Device Functional Modes (接下页)

8.4.2 Charge-Sharing Methods TPS65197

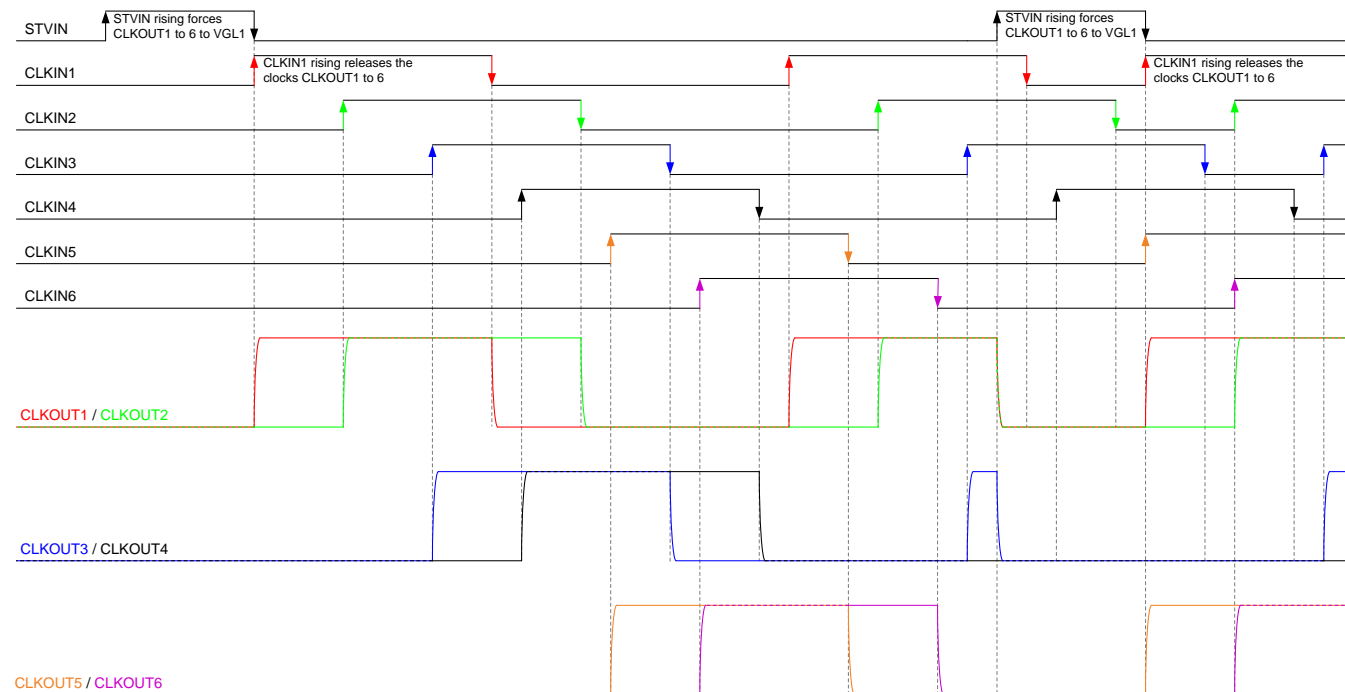
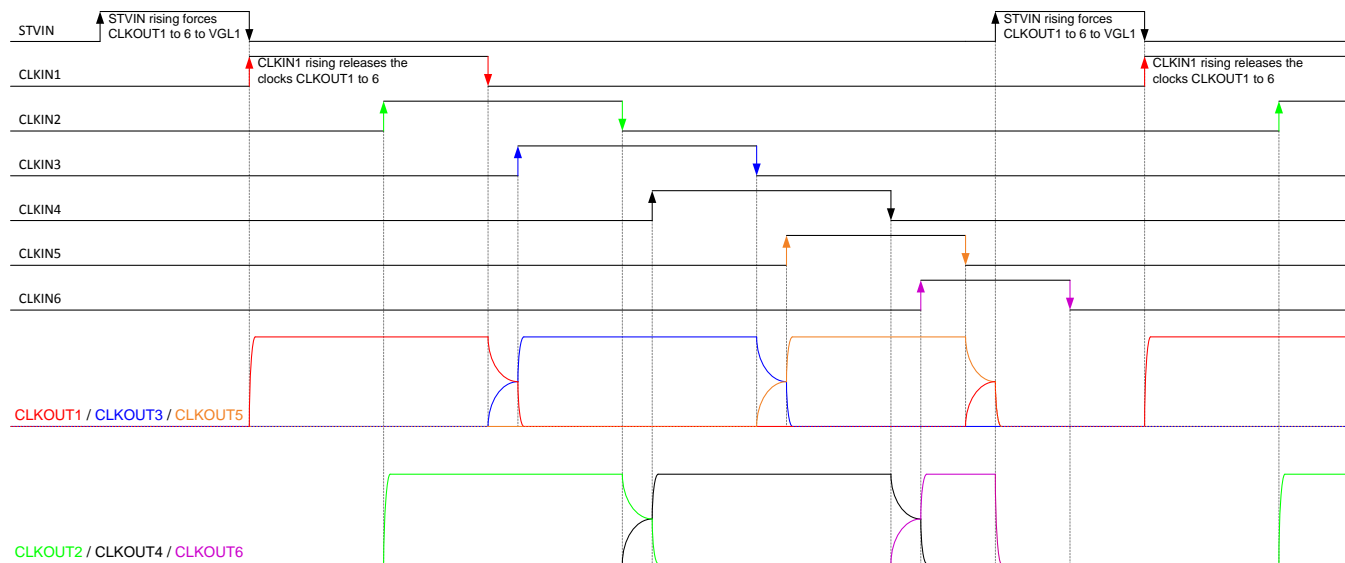
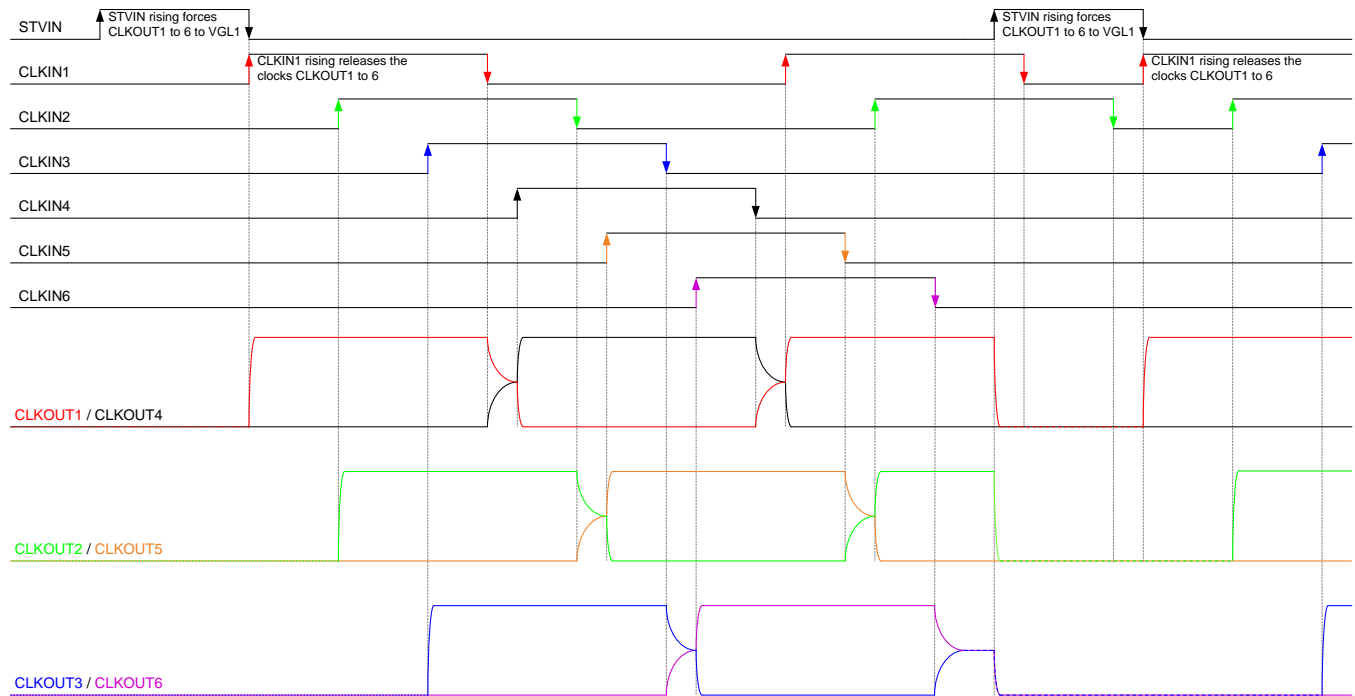


图 4. TPS65197: Charge-Sharing Disabled (CS_SEL < 0.5 V)



Charge-sharing of CLKOUT1 ↔ CLKOUT3 between CLKIN1↓ CLKIN3↑.
 Charge-sharing of CLKOUT3 ↔ CLKOUT5 between CLKIN3↓ CLKIN5↑.
 Charge-sharing of CLKOUT5 ↔ CLKOUT1 between CLKIN5↓ CLKIN1↑.
 Charge-sharing of CLKOUT2 ↔ CLKOUT4 between CLKIN2↓ CLKIN4↑.
 Charge-sharing of CLKOUT4 ↔ CLKOUT6 between CLKIN4↓ CLKIN6↑.
 Charge-sharing of CLKOUT6 ↔ CLKOUT2 between CLKIN6↓ CLKIN2↑.

图 5. TPS65197: 3-Channel Charge-Sharing (CS_SEL = 1 V...2 V)

Device Functional Modes (接下页)


Charge-sharing of CLKOUT1 ↔ CLKOUT4 between CLKIN1↓ CLKIN4↑ and CLKIN4↓ CLKIN1↑.

Charge-Sharing of CLKOUT2 ↔ CLKOUT5 between CLKIN2↓ CLKIN5↑ and CLKIN5↓ CLKIN2↑.

Charge-Sharing of CLKOUT3 ↔ CLKOUT6 between CLKIN3↓ CLKIN6↑ and CLKIN6↓ CLKIN3↑.

图 6. TPS65197: 2-Channel Charge-Sharing (CS_SEL = 2.8 V...6.5 V)

Device Functional Modes (接下一页)

8.4.3 Charge-Sharing Methods TPS65197B

TPS65197B:

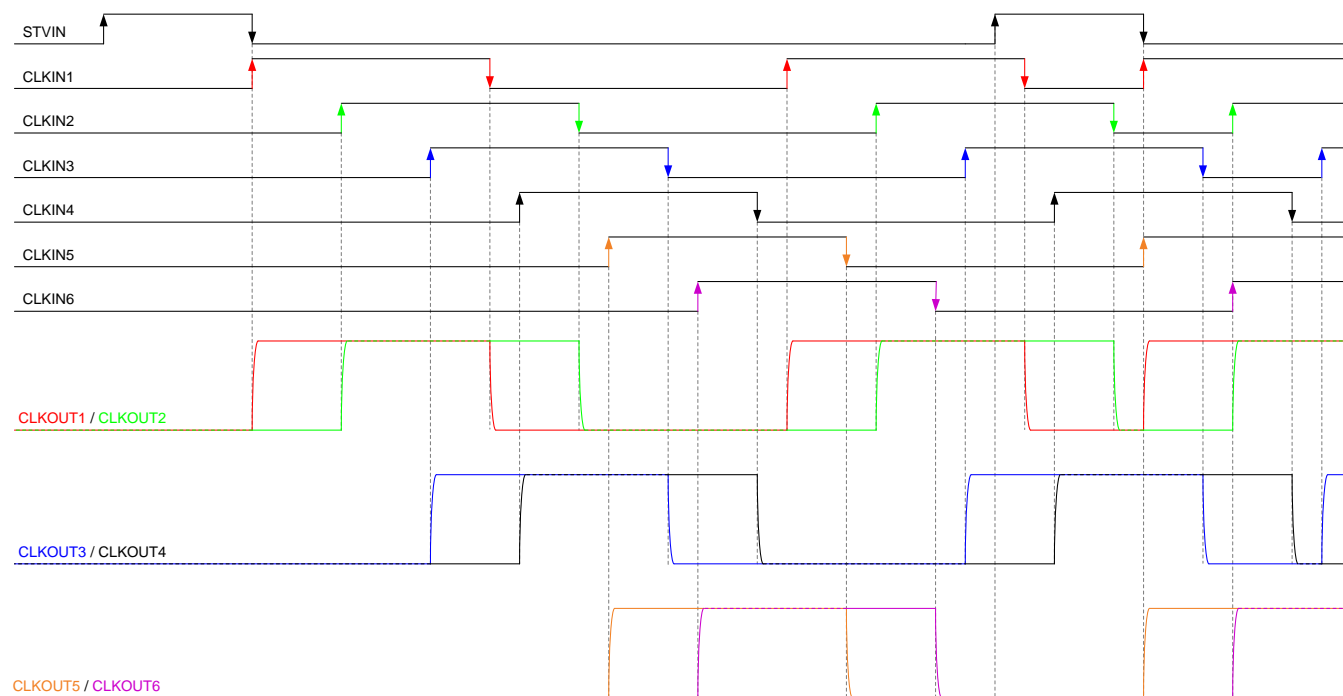
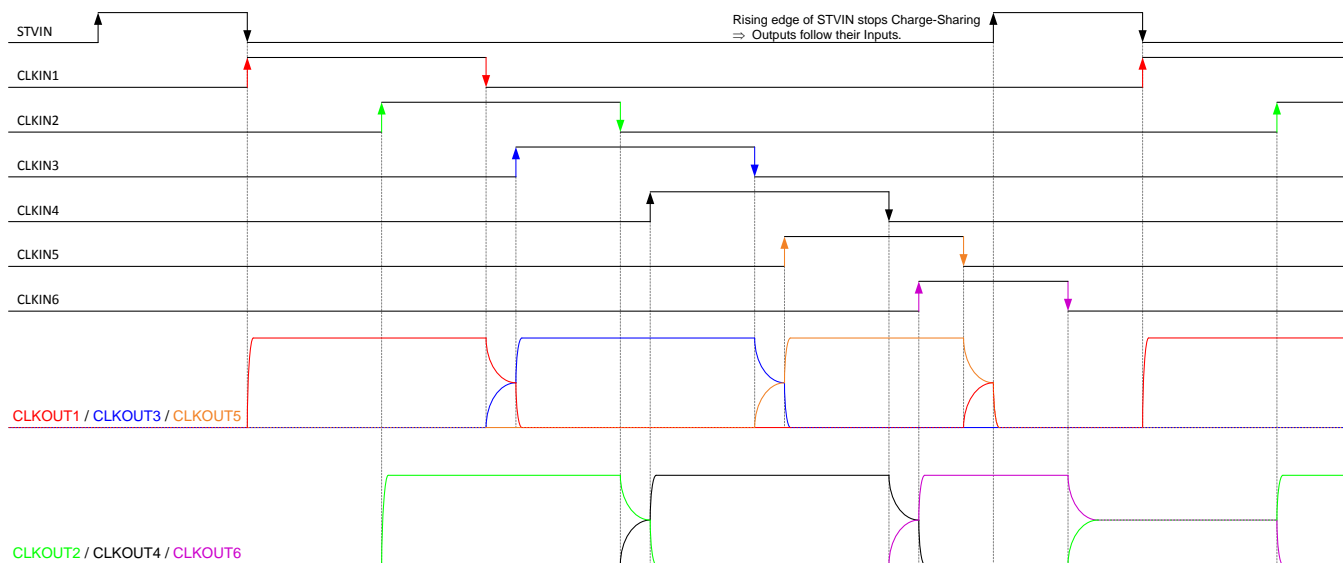
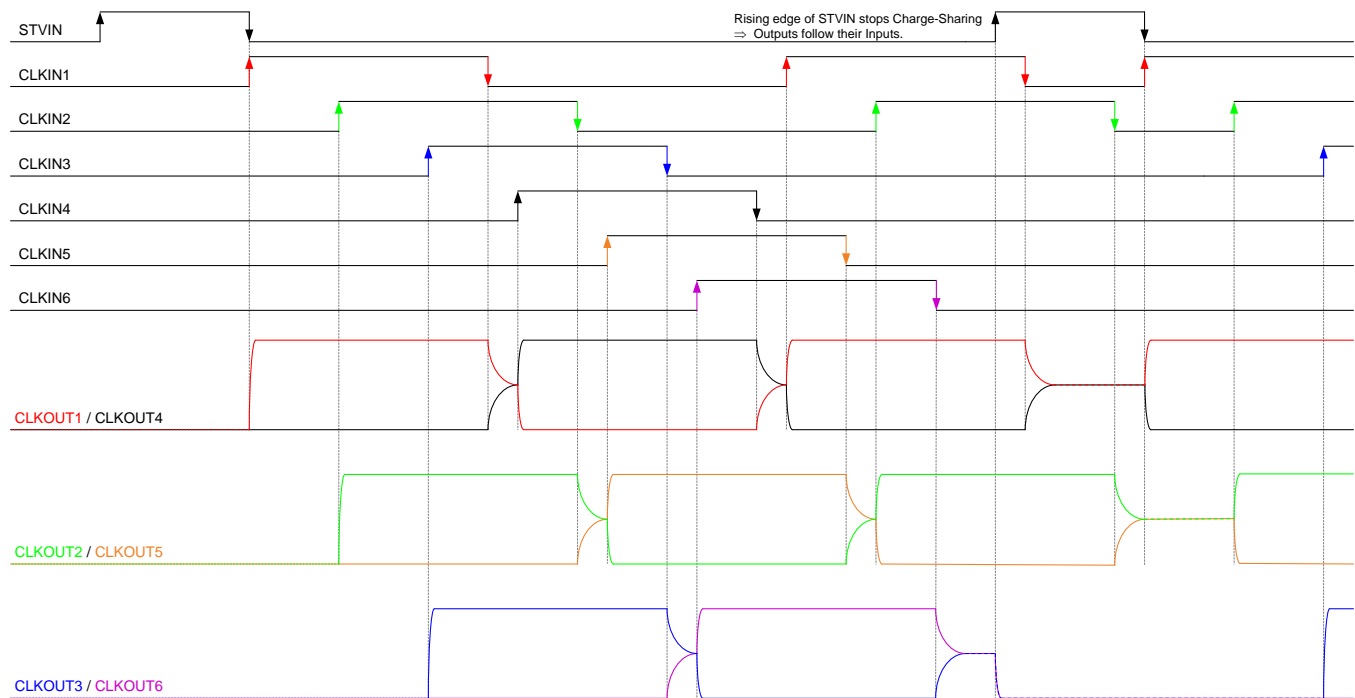


图 7. TPS65197B: Charge-Sharing Disabled (CS_SEL < 0.5 V)



- Charge-sharing of CLKOUT1 ↔ CLKOUT3 between CLKIN1↓ CLKIN3↑.
- Charge-sharing of CLKOUT3 ↔ CLKOUT5 between CLKIN3↓ CLKIN5↑.
- Charge-sharing of CLKOUT5 ↔ CLKOUT1 between CLKIN5↓ CLKIN1↑.
- Charge-sharing of CLKOUT2 ↔ CLKOUT4 between CLKIN2↓ CLKIN4↑.
- Charge-sharing of CLKOUT4 ↔ CLKOUT6 between CLKIN4↓ CLKIN6↑.
- Charge-sharing of CLKOUT6 ↔ CLKOUT2 between CLKIN6↓ CLKIN2↑.

图 8. TPS65197B: 3-Channel Charge-Sharing (CS_SEL = 1 V...2 V)

Device Functional Modes (接下页)


Charge-sharing of CLKOUT1 ↔ CLKOUT4 between CLKIN1↓ CLKIN4↑ and CLKIN4↓ CLKIN1↑.
 Charge-sharing of CLKOUT2 ↔ CLKOUT5 between CLKIN2↓ CLKIN5↑ and CLKIN5↓ CLKIN2↑.
 Charge-sharing of CLKOUT3 ↔ CLKOUT6 between CLKIN3↓ CLKIN6↑ and CLKIN6↓ CLKIN3↑.

图 9. TPS65197B: 2-Channel Charge-Sharing (CS_SEL = 2.8 V...6.5 V)

9 Application and Implementation

注

Information in the following applications sections is not part of the TI component specification, and TI does not warrant its accuracy or completeness. TI's customers are responsible for determining suitability of components for their purposes. Customers should validate and test their design implementation to confirm system functionality.

9.1 Application Information

The TPS65197/B is a 8-channel level-shifter with discharge function. It supports no charge-sharing as well as 2-channel and 3-channel charge-sharing.

9.2 Typical Application

Charge-Sharing resistors can be left open when CS is disabled

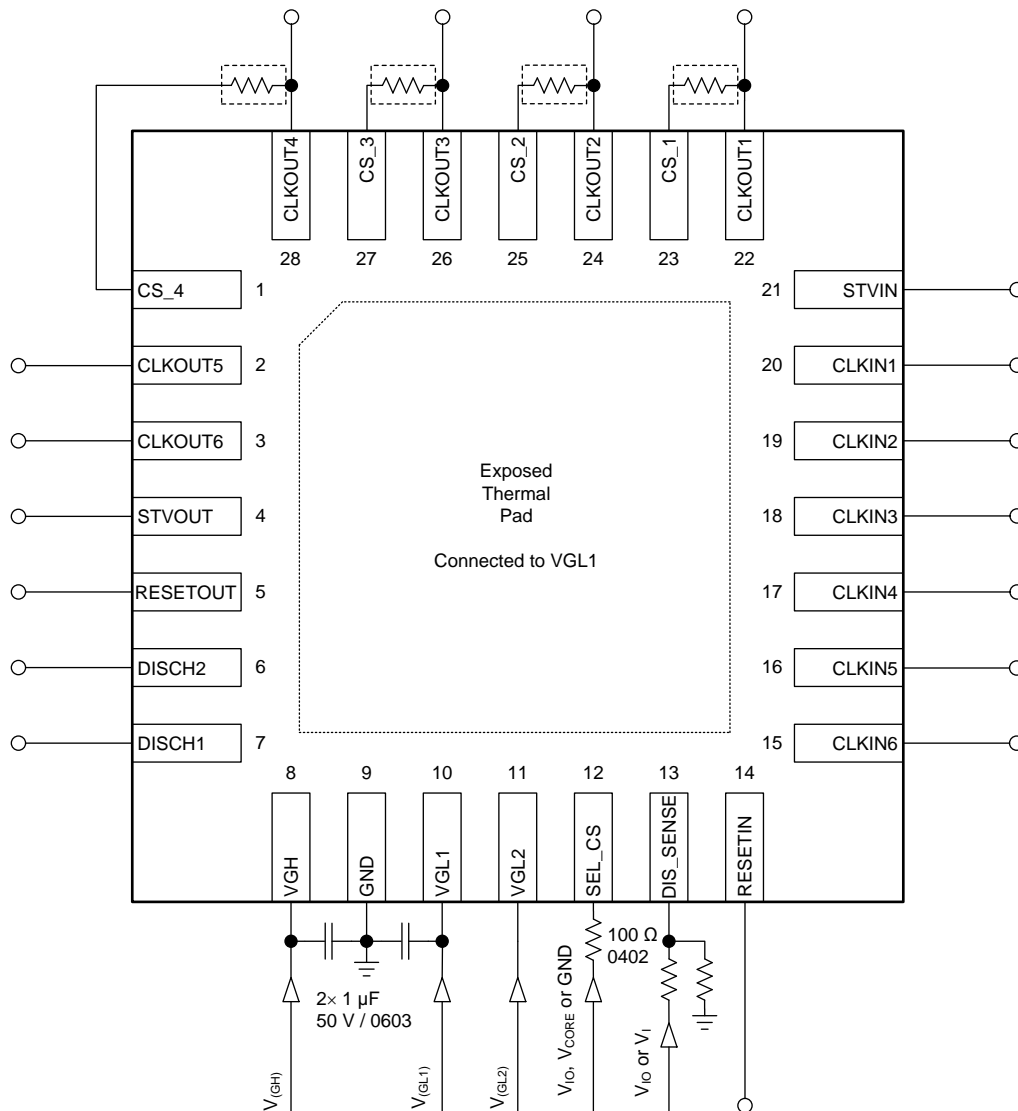


图 10. Typical Application Schematic

Typical Application (接下页)

9.2.1 Design Requirements

For this design example, use the input parameters shown in 表 1.

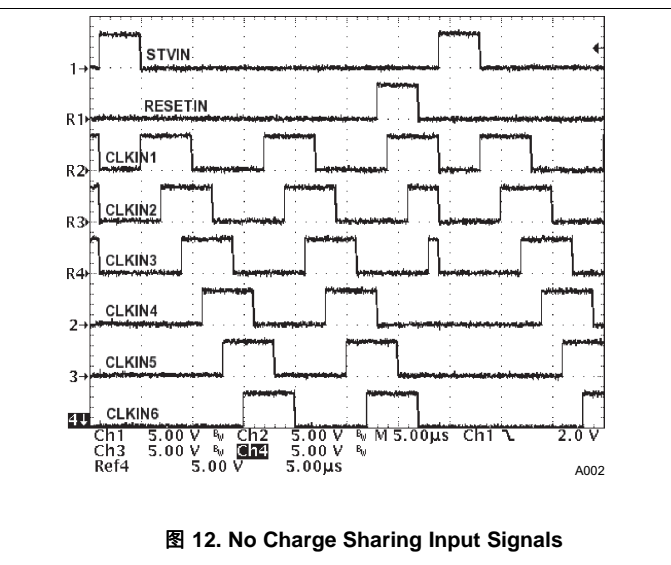
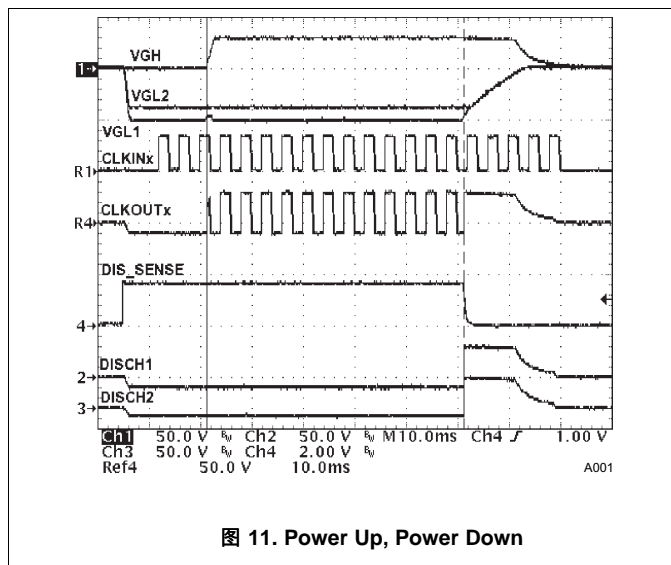
表 1. Design Parameters

DESIGN PARAMETER	EXAMPLE
Input voltage range	16.5 V to 45 V
	-20 V to -3 V
Input signals	83 kHz
Logic levels	low level < 0.8 V
	high level > 2 V
Output load	150 pF and 50 Ω in series with 4.7 nF
Charge-sharing resistance	100 Ω

9.2.2 Detailed Design Procedure

Level Shifters for LCD panels generate fast signals, therefore special care must be taken to the input and output trace length and layout symmetry. Signal delays can be caused by unsymmetric trace length. Placing the components around the device is not critical, as mostly resistors are used. Care must be taken for the supply capacitors which should be close to the device and have a good connection to ensure clean output signals.

9.2.3 Application Curves



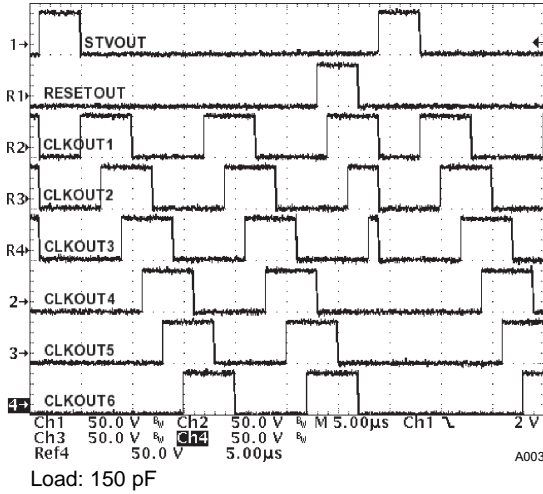


图 13. No Charge Sharing Outputs

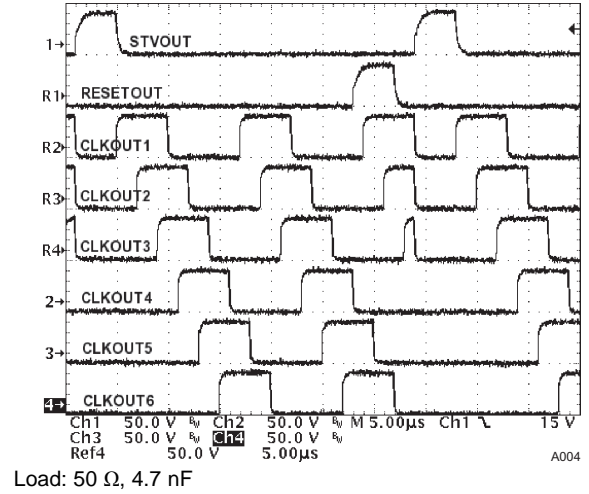


图 14. No Charge Sharing Outputs

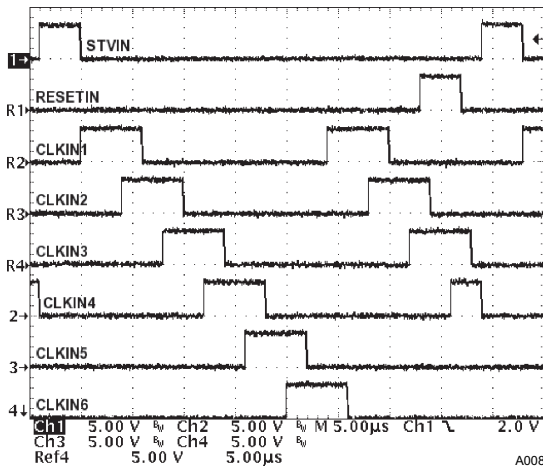


图 15. 2-Channel Charge Sharing Input Signals

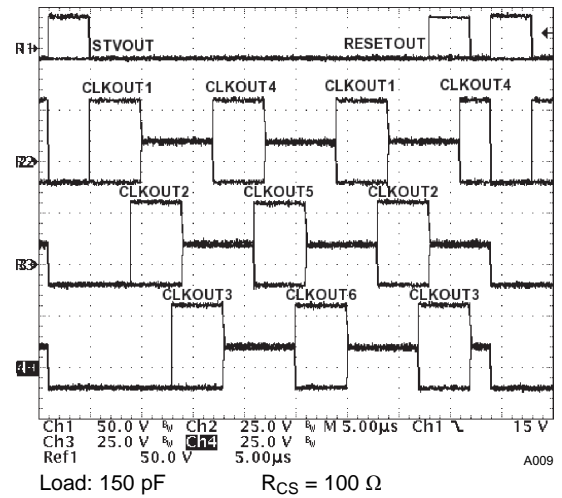


图 16. 2-Channel Charge Sharing Outputs

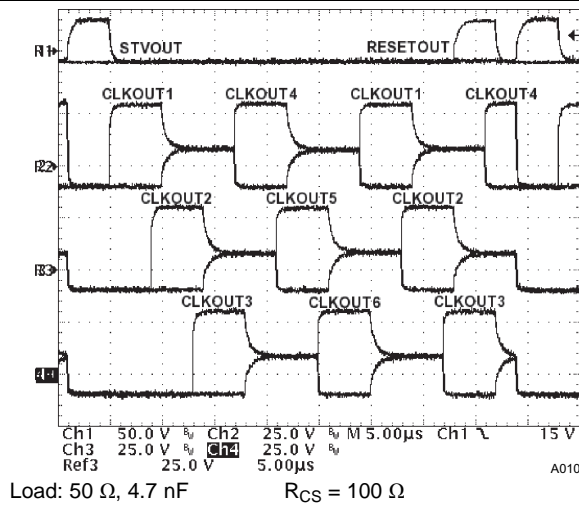


图 17. 2-Channel Charge Sharing Outputs

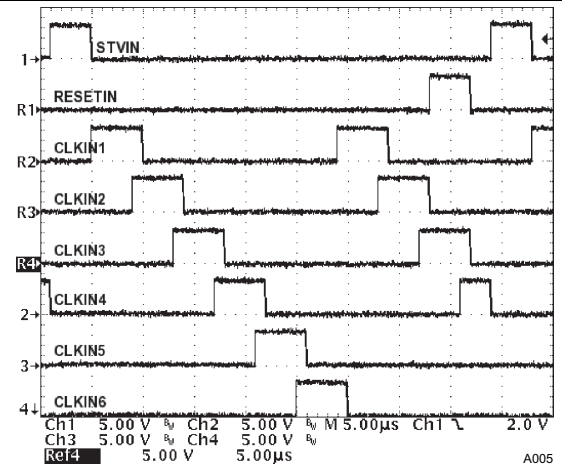
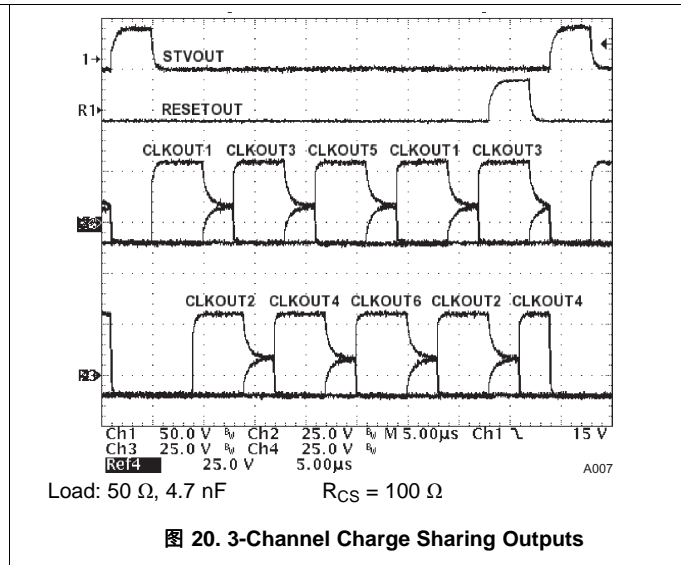
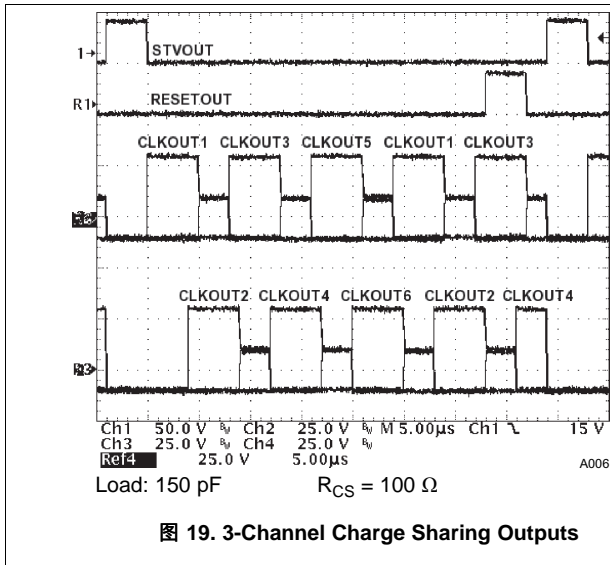


图 18. 3-Channel Charge Sharing Input Signals



10 Power Supply Recommendations

The TPS65197/B is designed to operate from an input voltage supply range between 16.5 V and 45 V on the positive supply rail (VGH) and between -20 V and -3 V on the negative supply rails (VGL1, VGL2). A 1-μF capacitor on VGH and VGL1 should be used to ensure clean output signals.

11 Layout

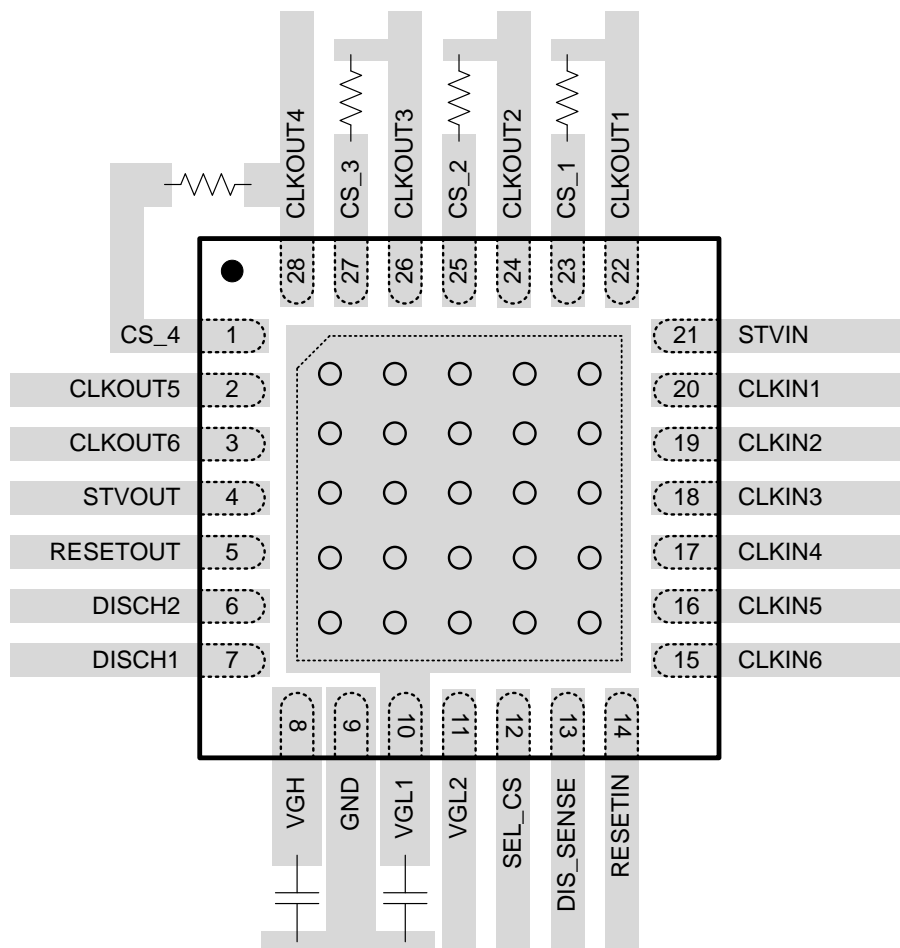
11.1 Layout Guidelines

Proper PCB layout is essential for achieving the expected performance and a low device temperature. The following points should be considered.

- Place the supply decoupling capacitors as close as possible to device terminals VGH and VGL1.
- Use wide traces to route power from the bias IC to the device to avoid voltage drops. The device is able to sink and source high peak currents up to 1 A. If wide traces are not possible, place additional 1- μ F capacitors of at least 0805 size close to the supply decoupling capacitors.
- The output channel traces should be kept as short as possible to reduce EMI emissions, and not too thin to minimize stray inductances producing voltage overshoots at the panel, because high peak currents up to 1 A can flow.
- The thermal pad must be connected by many vias to a large copper area on a VGL1 potential, to be used as a heat sink. Use a copper area of at least 10 cm². The bigger the copper area, the cooler the device temperature. On a multilayer board, use the copper areas of as many layers as possible to maximize the heat sink.
- Output resistors for clock channels 1 to 6 can be used to reduce EMI emissions and device temperature if necessary. They generate heat and should therefore not be placed close to the device.

11.2 Layout Example

- VIA to VGL1 Plane



12 器件和文档支持

12.1 文档支持

12.1.1 相关文档

应用报告《PowerPAD™ 耐热增强型封装》（文献编号：SLMA002）应用报告
 《PowerPAD™ 速成》（文献编号：SLMA004）应用报告
 《QFN 布局指南》（文献编号：SLOA122）应用报告
 《QFN/SON PCB 连接》（文献编号：SLUA271）

12.2 相关链接

下表列出了快速访问链接。类别包括技术文档、支持和社区资源、工具和软件，以及立即购买的快速链接。

表 2. 相关链接

器件	产品文件夹	立即订购	技术文档	工具和软件	支持和社区
TPS65197	请单击此处	请单击此处	请单击此处	请单击此处	请单击此处
TPS65197B	请单击此处	请单击此处	请单击此处	请单击此处	请单击此处

12.3 社区资源

下列链接提供到 TI 社区资源的连接。链接的内容由各个分销商“按照原样”提供。这些内容并不构成 TI 技术规范，并且不一定反映 TI 的观点；请参阅 TI 的《使用条款》。

TI E2E™ 在线社区 *TI 的工程师对工程师 (E2E) 社区*。此社区的创建目的在于促进工程师之间的协作。在 e2e.ti.com 中，您可以咨询问题、分享知识、拓展思路并与同行工程师一道帮助解决问题。

设计支持 *TI 参考设计支持* 可帮助您快速查找有帮助的 E2E 论坛、设计支持工具以及技术支持的联系信息。

12.4 商标

E2E is a trademark of Texas Instruments.
 All other trademarks are the property of their respective owners.

12.5 静电放电警告



这些装置包含有限的内置 ESD 保护。存储或装卸时，应将导线一起截短或将装置放置于导电泡棉中，以防止 MOS 门极遭受静电损伤。

12.6 Glossary

SLYZ022 — *TI Glossary*.

This glossary lists and explains terms, acronyms, and definitions.

13 机械、封装和可订购信息

以下页面包含机械、封装和可订购信息。这些信息是指定器件的最新可用数据。数据如有变更，恕不另行通知和修订此文档。如欲获取此数据表的浏览器版本，请参阅左侧的导航。

PACKAGING INFORMATION

Orderable part number	Status (1)	Material type (2)	Package Pins	Package qty Carrier	RoHS (3)	Lead finish/ Ball material (4)	MSL rating/ Peak reflow (5)	Op temp (°C)	Part marking (6)
TPS65197BRUYR	Active	Production	WQFN (RUY) 28	3000 LARGE T&R	Yes	NIPDAU	Level-2-260C-1 YEAR	-40 to 85	TPS 65197B
TPS65197BRUYR.B	Active	Production	WQFN (RUY) 28	3000 LARGE T&R	Yes	NIPDAU	Level-2-260C-1 YEAR	-40 to 85	TPS 65197B
TPS65197BRUYT	Active	Production	WQFN (RUY) 28	250 SMALL T&R	Yes	NIPDAU	Level-1-260C-UNLIM	-40 to 85	TPS 65197B
TPS65197BRUYT.B	Active	Production	WQFN (RUY) 28	250 SMALL T&R	Yes	NIPDAU	Level-1-260C-UNLIM	-40 to 85	TPS 65197B
TPS65197RUYR	Active	Production	WQFN (RUY) 28	3000 LARGE T&R	Yes	NIPDAU	Level-2-260C-1 YEAR	-40 to 85	TPS 65197A
TPS65197RUYR.B	Active	Production	WQFN (RUY) 28	3000 LARGE T&R	Yes	NIPDAU	Level-2-260C-1 YEAR	-40 to 85	TPS 65197A

(1) **Status:** For more details on status, see our [product life cycle](#).

(2) **Material type:** When designated, preproduction parts are prototypes/experimental devices, and are not yet approved or released for full production. Testing and final process, including without limitation quality assurance, reliability performance testing, and/or process qualification, may not yet be complete, and this item is subject to further changes or possible discontinuation. If available for ordering, purchases will be subject to an additional waiver at checkout, and are intended for early internal evaluation purposes only. These items are sold without warranties of any kind.

(3) **RoHS values:** Yes, No, RoHS Exempt. See the [TI RoHS Statement](#) for additional information and value definition.

(4) **Lead finish/Ball material:** Parts may have multiple material finish options. Finish options are separated by a vertical ruled line. Lead finish/Ball material values may wrap to two lines if the finish value exceeds the maximum column width.

(5) **MSL rating/Peak reflow:** The moisture sensitivity level ratings and peak solder (reflow) temperatures. In the event that a part has multiple moisture sensitivity ratings, only the lowest level per JEDEC standards is shown. Refer to the shipping label for the actual reflow temperature that will be used to mount the part to the printed circuit board.

(6) **Part marking:** There may be an additional marking, which relates to the logo, the lot trace code information, or the environmental category of the part.

Multiple part markings will be inside parentheses. Only one part marking contained in parentheses and separated by a "~" will appear on a part. If a line is indented then it is a continuation of the previous line and the two combined represent the entire part marking for that device.

Important Information and Disclaimer: The information provided on this page represents TI's knowledge and belief as of the date that it is provided. TI bases its knowledge and belief on information provided by third parties, and makes no representation or warranty as to the accuracy of such information. Efforts are underway to better integrate information from third parties. TI has taken and continues to take reasonable steps to provide representative and accurate information but may not have conducted destructive testing or chemical analysis on incoming materials and chemicals. TI and TI suppliers consider certain information to be proprietary, and thus CAS numbers and other limited information may not be available for release.

In no event shall TI's liability arising out of such information exceed the total purchase price of the TI part(s) at issue in this document sold by TI to Customer on an annual basis.

TAPE AND REEL INFORMATION

QUADRANT ASSIGNMENTS FOR PIN 1 ORIENTATION IN TAPE

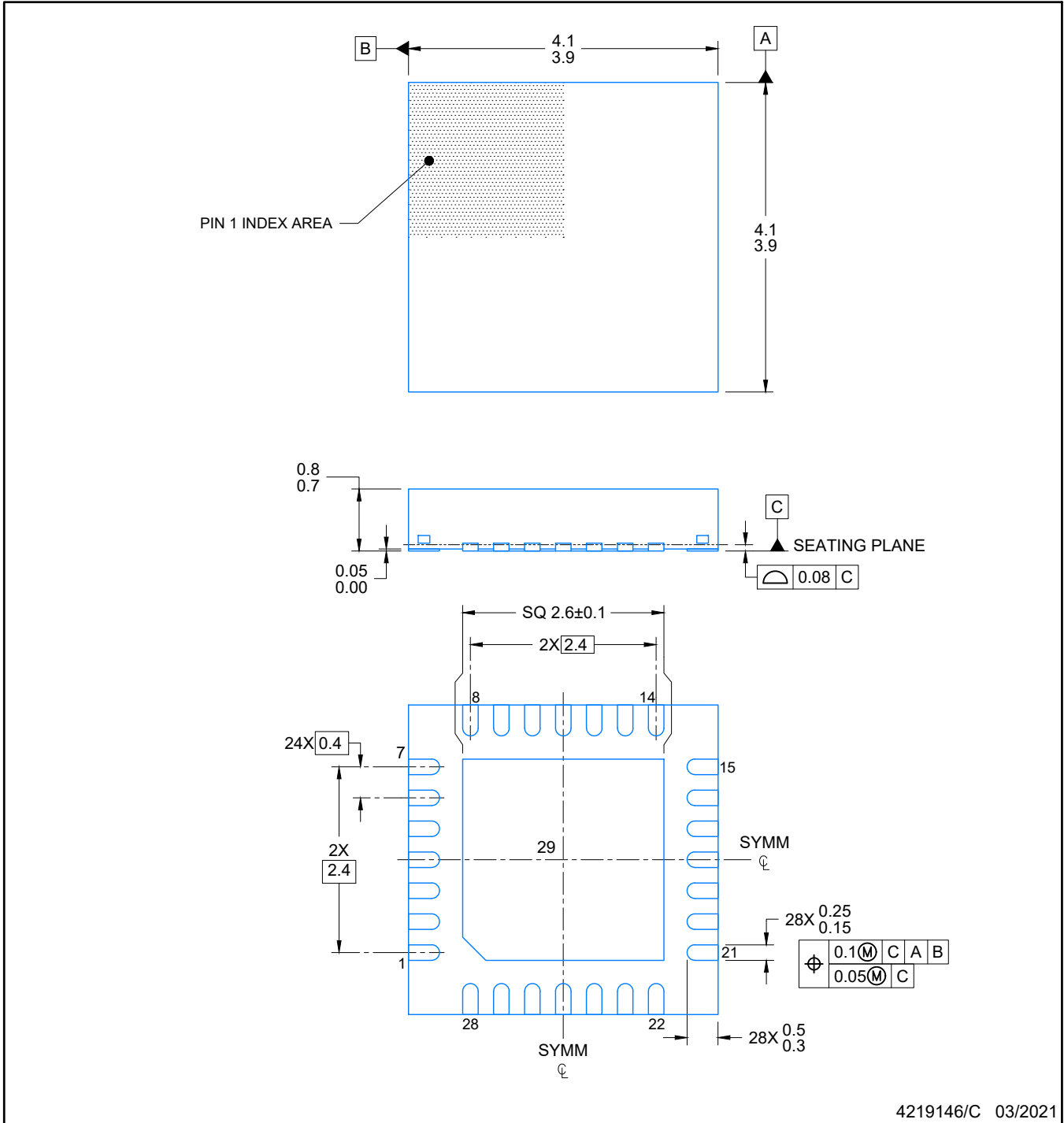

*All dimensions are nominal

Device	Package Type	Package Drawing	Pins	SPQ	Reel Diameter (mm)	Reel Width W1 (mm)	A0 (mm)	B0 (mm)	K0 (mm)	P1 (mm)	W (mm)	Pin1 Quadrant
TPS65197BRUYR	WQFN	RUY	28	3000	330.0	12.4	4.25	4.25	1.15	8.0	12.0	Q2
TPS65197BRUYT	WQFN	RUY	28	250	180.0	12.4	4.25	4.25	1.15	8.0	12.0	Q2
TPS65197RUYYR	WQFN	RUY	28	3000	330.0	12.4	4.25	4.25	1.15	8.0	12.0	Q2

TAPE AND REEL BOX DIMENSIONS


*All dimensions are nominal

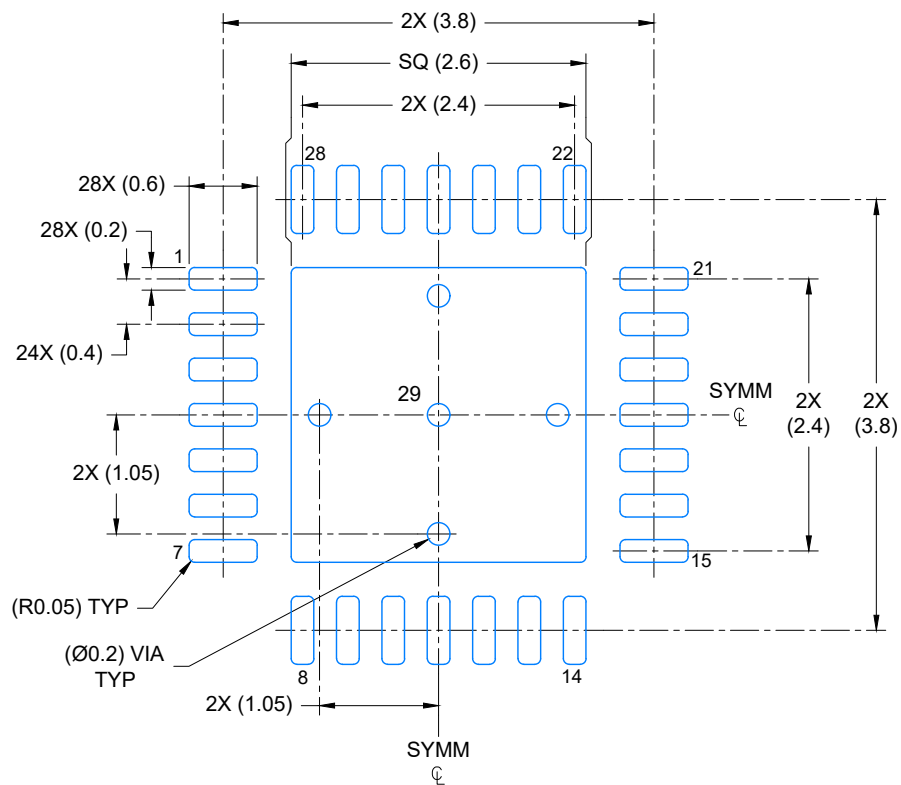
Device	Package Type	Package Drawing	Pins	SPQ	Length (mm)	Width (mm)	Height (mm)
TPS65197BRUYR	WQFN	RUY	28	3000	346.0	346.0	33.0
TPS65197BRUYT	WQFN	RUY	28	250	182.0	182.0	20.0
TPS65197RUYR	WQFN	RUY	28	3000	346.0	346.0	33.0



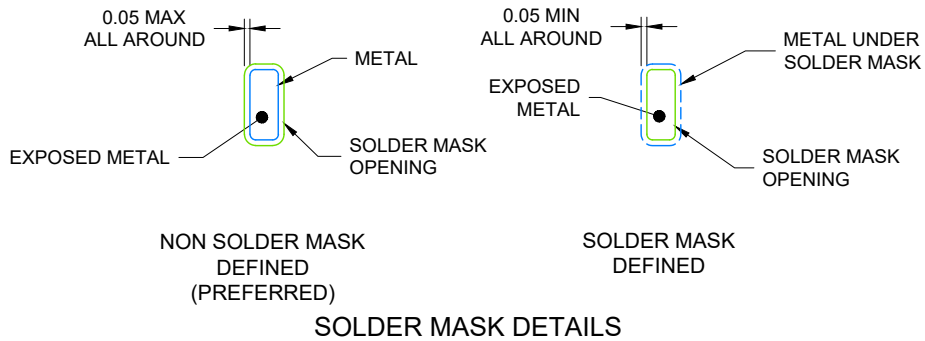
4219146/C 03/2021

NOTES:

1. All linear dimensions are in millimeters. Any dimensions in parenthesis are for reference only. Dimensioning and tolerancing per ASME Y14.5M.
2. This drawing is subject to change without notice.
3. The package thermal pad must be soldered to the printed circuit board for optimal thermal and mechanical performance.



LAND PATTERN EXAMPLE
EXPOSED METAL SHOWN
SCALE: 15X



4219146/C 03/2021

NOTES: (continued)

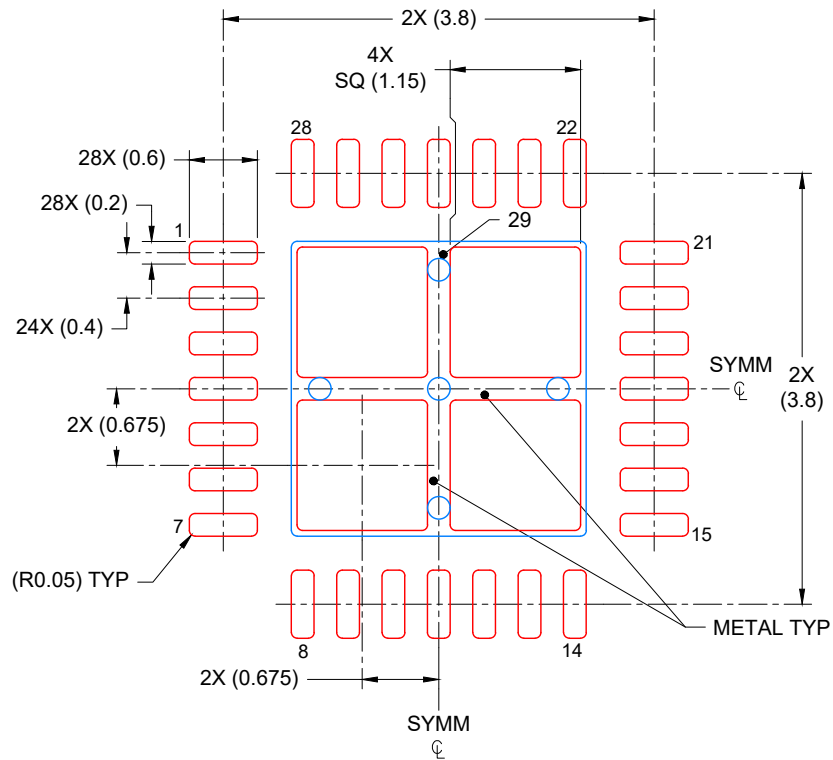
4. This package is designed to be soldered to a thermal pad on the board. For more information, see Texas Instruments literature number SLUA271 (www.ti.com/lit/sluea271).
5. Vias are optional depending on application, refer to device data sheet. If any vias are implemented, refer to their locations shown on this view. It is recommended that vias under paste be filled, plugged or tented.

EXAMPLE STENCIL DESIGN

RUY0028A

WQFN - 0.8 mm max height

PLASTIC QUAD FLATPACK-NO LEAD



SOLDER PASTE EXAMPLE
BASED ON 0.125 mm THICK STENCIL

EXPOSED PAD
78% PRINTED COVERAGE BY AREA
SCALE: 15X

4219146/C 03/2021

NOTES: (continued)

6. Laser cutting apertures with trapezoidal walls and rounded corners may offer better paste release. IPC-7525 may have alternate design recommendations.

重要通知和免责声明

TI“按原样”提供技术和可靠性数据（包括数据表）、设计资源（包括参考设计）、应用或其他设计建议、网络工具、安全信息和其他资源，不保证没有瑕疵且不做任何明示或暗示的担保，包括但不限于对适销性、与某特定用途的适用性或不侵犯任何第三方知识产权的暗示担保。

这些资源可供使用 TI 产品进行设计的熟练开发人员使用。您将自行承担以下全部责任：(1) 针对您的应用选择合适的 TI 产品，(2) 设计、验证并测试您的应用，(3) 确保您的应用满足相应标准以及任何其他安全、安保法规或其他要求。

这些资源如有变更，恕不另行通知。TI 授权您仅可将这些资源用于研发本资源所述的 TI 产品的相关应用。严禁以其他方式对这些资源进行复制或展示。您无权使用任何其他 TI 知识产权或任何第三方知识产权。对于因您对这些资源的使用而对 TI 及其代表造成的任何索赔、损害、成本、损失和债务，您将全额赔偿，TI 对此概不负责。

TI 提供的产品受 [TI 销售条款](#)、[TI 通用质量指南](#) 或 [ti.com](#) 上其他适用条款或 TI 产品随附的其他适用条款的约束。TI 提供这些资源并不会扩展或以其他方式更改 TI 针对 TI 产品发布的适用的担保或担保免责声明。除非德州仪器 (TI) 明确将某产品指定为定制产品或客户特定产品，否则其产品均为按确定价格收入目录的标准通用器件。

TI 反对并拒绝您可能提出的任何其他或不同的条款。

版权所有 © 2025，德州仪器 (TI) 公司

最后更新日期：2025 年 10 月