

TPS5438x Dual 3-A Non-Synchronous Converters With Integrated High-Side MOSFET

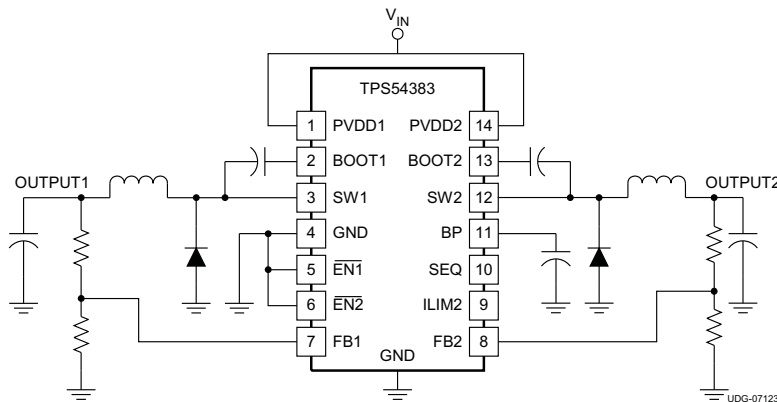
1 Features

- 4.5-V to 28-V Input Range
- Output Voltage Range 0.8 V to 90% of Input Voltage
- Output Current Up to 3 A
- Two Fixed Switching Frequency Versions:
 - TPS54383: 300 kHz
 - TPS54386: 600 kHz
- Three Selectable Levels of Overcurrent Protection (Output 2)
- 0.8-V 1.5% Voltage Reference
- 2.1-ms Internal Soft-Start
- Dual PWM Outputs 180° Out-of-Phase
- Ratiometric or Sequential Startup Modes Selectable by a Single Pin
- 85-mΩ Internal High-Side MOSFETs
- Current Mode Control
- Internal Compensation (See Page 16)
- Pulse-by-Pulse Overcurrent Protection
- Thermal Shutdown Protection at +148°C
- 14-Pin PowerPAD™ HTSSOP package

2 Applications

- Set Top Box
- Digital TV
- Power for DSP
- Consumer Electronics

4 Simplified Schematic



3 Description

The TPS54383 and TPS54386 are dual output, non-synchronous buck converters capable of supporting 3-A output applications that operate from a 4.5-V to 28-V input supply voltage, and require output voltages between 0.8 V and 90% of the input voltage.

With an internally-determined operating frequency, soft-start time, and control loop compensation, these converters provide many features with a minimum of external components. Channel 1 overcurrent protection is set at 4.5 A, while Channel 2 overcurrent protection level is selected by connecting a pin to ground, to BP, or left floating. The setting levels are used to allow for scaling of external components for applications that do not need the full load capability of both outputs.

The outputs may be enabled independently, or may be configured to allow either ratio-metric or sequential startup sequencing. Additionally, the two outputs may be powered from different sources.

Device Information⁽¹⁾

| PART NUMBER | PACKAGE | BODY SIZE (NOM) |
|-------------|-------------|-------------------|
| TPS54383 | HTSSOP (14) | 4.40 mm x 5.00 mm |
| TPS54386 | | |

(1) For all available packages, see the orderable addendum at the end of the datasheet.



Table of Contents

| | | | |
|--|-----------|--|-----------|
| 1 Features | 1 | 8.4 Device Functional Modes | 29 |
| 2 Applications | 1 | 9 Applications and Implementation | 30 |
| 3 Description | 1 | 9.1 Application Information | 30 |
| 4 Simplified Schematic | 1 | 9.2 Typical Applications | 30 |
| 5 Revision History | 2 | 10 Power Supply Recommendations | 41 |
| 6 Pin Configuration and Functions | 3 | 11 Layout | 41 |
| 7 Specifications | 5 | 11.1 Layout Guidelines | 41 |
| 7.1 Absolute Maximum Ratings | 5 | 11.2 Layout Example | 42 |
| 7.2 ESD Ratings | 5 | 11.3 PowerPAD Package | 43 |
| 7.3 Recommended Operating Conditions | 5 | 12 Device and Documentation Support | 44 |
| 7.4 Thermal Information | 5 | 12.1 Device Support | 44 |
| 7.5 Electrical Characteristics | 6 | 12.2 Documentation Support | 45 |
| 7.6 Typical Characteristics | 8 | 12.3 Related Links | 45 |
| 8 Detailed Description | 11 | 12.4 Trademarks | 45 |
| 8.1 Overview | 11 | 12.5 Electrostatic Discharge Caution | 45 |
| 8.2 Functional Block Diagram | 12 | 12.6 Glossary | 45 |
| 8.3 Feature Description | 13 | 13 Mechanical, Packaging, and Orderable Information | 46 |

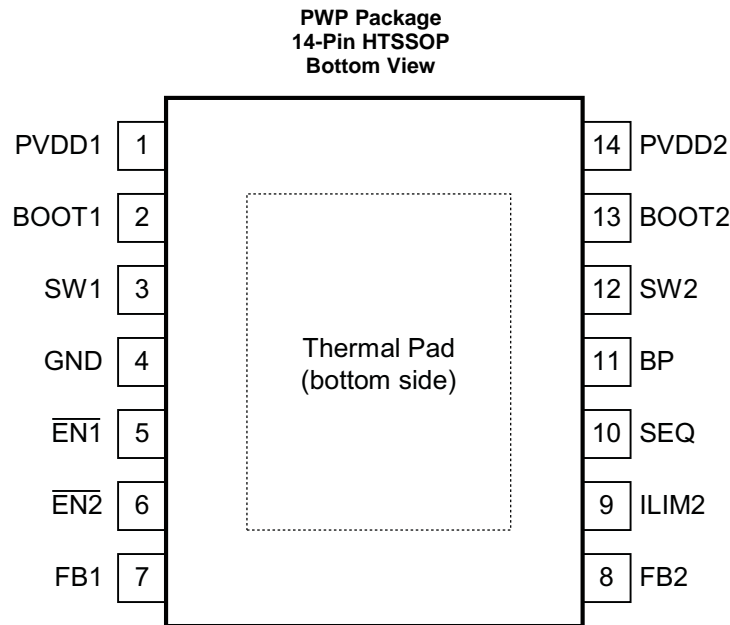
5 Revision History

Changes from Revision B (October 2007) to Revision C

Page

- Added ESD Ratings table, Feature Description section, Device Functional Modes, Application and Implementation section, Power Supply Recommendations section, Layout section, Device and Documentation Support section, and Mechanical, Packaging, and Orderable Information section. **1**

6 Pin Configuration and Functions



Pin Functions

| PIN | | I/O | DESCRIPTION |
|-------------------------|-----|-----|--|
| NAME | NO. | | |
| BOOT1 | 2 | I | Input supply to the high side gate driver for Output 1. Connect a 22-nF to 82-nF capacitor from this pin to SW1. This capacitor is charged from the BP pin voltage through an internal switch. The switch is turned ON during the OFF time of the converter. To slow down the turn ON of the internal FET, a small resistor (1 Ω to 3 Ω) may be placed in series with the bootstrap capacitor. |
| BOOT2 | 13 | I | Input supply to the high side gate driver for Output 2. Connect a 22-nF to 82-nF capacitor from this pin to SW2. This capacitor is charged from the BP pin voltage through an internal switch. The switch is turned ON during the OFF time of the converter. To slow down the turn ON of the internal FET, a small resistor (1 Ω to 3 Ω) may be placed in series with the bootstrap capacitor. |
| BP | 11 | - | Regulated voltage to charge the bootstrap capacitors. Bypass this pin to GND with a low ESR (4.7- μ F to 10- μ F X7R or X5R) ceramic capacitor. |
| $\overline{\text{EN1}}$ | 5 | I | Active low enable input for Output 1. If the voltage on this pin is greater than 1.55 V, Output 1 is disabled (high-side switch is OFF). A voltage of less than 0.9 V enables Output 1 and allows soft-start of Output 1 to begin. An internal current source drives this pin to PVDD2 if left floating. Connect this pin to GND for "always ON" operation. |
| $\overline{\text{EN2}}$ | 6 | I | Active low enable input for Output 2. If the voltage on this pin is greater than 1.55 V, Output 2 is disabled (high-side switch is OFF). A voltage of less than 0.9 V enables Output 2 and allows soft-start of Output 2 to begin. An internal current source drives this pin to PVDD2 if left floating. Connect this pin to GND for "always ON" operation. |
| FB1 | 7 | I | Voltage feedback pin for Output 1. The internal transconductance error amplifier adjusts the PWM for Output 1 to regulate the voltage at this pin to the internal 0.8-V reference. A series resistor divider from Output 1 to ground, with the center connection tied to this pin, determines the value of the regulated output voltage. Compensation for the feedback loop is provided internally to the device. See Feedback Loop and Inductor-Capacitor (L-C) Filter Selection section for further information. |
| FB2 | 8 | I | Voltage feedback pin for Output 2. The internal transconductance error amplifier adjusts the PWM for Output 2 to regulate the voltage at this pin to the internal 0.8-V reference. A series resistor divider from Output 2 to ground, with the center connection tied to this pin, determines the value of the regulated output voltage. Compensation for the feedback loop is provided internally to the device. See Feedback Loop and Inductor-Capacitor (L-C) Filter Selection section for further information. |
| GND | 4 | - | Ground pin for the device. Connect directly to Thermal Pad. |

Pin Functions (continued)

| PIN | | I/O | DESCRIPTION |
|-------------|-----|-----|--|
| NAME | NO. | | |
| ILIM2 | 9 | I | Current limit adjust pin for Output 2 only. This function is intended to allow a user with asymmetrical load currents (Output 1 load current much greater than Output 2 load current) to optimize component scaling of the lower current output while maintaining proper component derating in a overcurrent fault condition. The discrete levels are available as shown in Table 2 . Note: An internal 2-resistor divider (150-kΩ each) connects BP to ILIM2 and to GND. |
| PVDD1 | 1 | I | Power input to the Output 1 high side MOSFET only. This pin should be locally bypassed to GND with a low ESR ceramic capacitor of 10-μF or greater. |
| PVDD2 | 14 | I | The PVDD2 pin provides power to the device control circuitry, provides the pull-up for the $\overline{\text{EN1}}$ and $\overline{\text{EN2}}$ pins and provides power to the Output 2 high-side MOSFET. This pin should be locally bypassed to GND with a low ESR ceramic capacitor of 10-μF or greater. The UVLO function monitors PVDD2 and enables the device when PVDD2 is greater than 4.1 V. |
| SEQ | 10 | I | <p>This pin configures the output startup mode. If the SEQ pin is connected to BP, then when Output 2 is enabled, Output 1 is allowed to start after Output 2 has reached regulation; that is, sequential startup where Output 1 is slave to Output 2. If $\overline{\text{EN2}}$ is allowed to go high after the outputs have been operating, then both outputs are disabled immediately, and the output voltages decay according to the load that is present. For this sequence configuration, tie $\overline{\text{EN1}}$ to ground.</p> <p>If the SEQ pin is connected to GND, then when Output 1 is enabled, Output 2 is allowed to start after Output 1 has reached regulation; that is, sequential startup where Output 2 is slave to Output 1. If $\overline{\text{EN1}}$ is allowed to go high after the outputs have been operating, then both outputs are disabled immediately, and the output voltages decay according to the load that is present. For this sequence configuration, tie $\overline{\text{EN2}}$ to ground.</p> <p>If left floating, Output 1 and Output 2 start ratio-metrically when both outputs are enabled at the same time. They will soft-start at a rate determined by their final output voltage and enter regulation at the same time. If the $\overline{\text{EN1}}$ and $\overline{\text{EN2}}$ pins are allowed to operate independently, then the two outputs also operate independently</p> <p>NOTE: An internal two resistor (150-kΩ each) divider connects BP to SEQ and to GND. See the Sequence States table.</p> |
| SW1 | 3 | O | Source (switching) output for Output 1 PWM. A snubber is recommended to reduce ringing on this node. See SW Node Ringing for further information. |
| SW2 | 12 | O | Source (switching) output for Output 2 PWM. A snubber is recommended to reduce ringing on this node. See SW Node Ringing for further information. |
| Thermal Pad | — | — | This pad must be tied externally to a ground plane and the GND pin. |

7 Specifications

7.1 Absolute Maximum Ratings⁽¹⁾

| | | MIN | MAX | UNIT |
|---------------------|---|------|--------------|------|
| Input voltage range | PVDD1, PVDD2, $\overline{EN1}$, $\overline{EN2}$ | | 30 | V |
| | BOOT1, BOOT2 | | $V_{SW} + 7$ | |
| | SW1, SW2 | -2 | 30 | |
| | SW1, SW2 transient (< 50ns) | -3 | 31 | |
| | BP | | 6.5 | |
| | SEQ, ILIM2 | -0.3 | 6.5 | |
| | FB1, FB2 | -0.3 | 3 | |
| | SW1, SW2 output current | | 7 | A |
| | BP load current | | 35 | mA |
| T_J | Operating temperature | -40 | +150 | °C |
| | Soldering temperature | | +260 | |
| T_{stg} | Storage temperature | -55 | 165 | °C |

- (1) Permanent device damage may occur if Absolute Maximum Ratings are exceeded. Functional operation should be limited to the [Recommended DC Operating Conditions](#) detailed in this data sheet. Exposure to conditions beyond the operational limits for extended periods of time may affect device reliability.

7.2 ESD Ratings

| | | VALUE | UNIT |
|-------------------------------------|--|-------|------|
| $V_{(ESD)}$ Electrostatic discharge | Human-body model (HBM), per ANSI/ESDA/JEDEC JS-001 ⁽¹⁾ | ±2000 | V |
| | Charged-device model (CDM), per JEDEC specification JESD22-C101 ⁽²⁾ | ±1500 | |

- (1) JEDEC document JEP155 states that 500-V HBM allows safe manufacturing with a standard ESD control process.
 (2) JEDEC document JEP157 states that 250-V CDM allows safe manufacturing with a standard ESD control process.

7.3 Recommended Operating Conditions

| | | MIN | MAX | UNIT |
|-------------|--------------------------------|-----|------|------|
| V_{PVDD2} | Input voltage | 4.5 | 28 | V |
| T_J | Operating junction temperature | -40 | +125 | °C |

7.4 Thermal Information

| THERMAL METRIC ⁽¹⁾ | | TPS54383 TPS54386 | UNIT |
|-------------------------------|--|----------------------|------|
| | | HTSSOP | |
| | | 14 PINS | |
| $R_{\theta JA}$ | Junction-to-ambient thermal resistance | 48.6 | °C/W |
| $R_{\theta JC(top)}$ | Junction-to-case (top) thermal resistance | 29.4 | |
| $R_{\theta JB}$ | Junction-to-board thermal resistance | 25.1 | |
| Ψ_{JT} | Junction-to-top characterization parameter | 0.9 | |
| Ψ_{JB} | Junction-to-board characterization parameter | 24.9 | |
| $R_{\theta JC(bot)}$ | Junction-to-case (bottom) thermal resistance | 2.4 | |

- (1) For more information about traditional and new thermal metrics, see the *IC Package Thermal Metrics* application report, [SPRA953](#).

7.5 Electrical Characteristics

 $-40^{\circ}\text{C} \leq T_J \leq +125^{\circ}\text{C}$, $V_{PVDD1} = V_{PVDD2} = 12\text{ V}$, unless otherwise noted.

| PARAMETER | | TEST CONDITIONS | MIN | TYP | MAX | UNIT |
|--|------------|--|------|------|------|---------------|
| INPUT SUPPLY (PVDD) | | | | | | |
| V_{PVDD1} — Input voltage range | | | 4.5 | | 28 | V |
| V_{PVDD2} | | | | | | |
| I_{DDSDN} Shutdown | | $V_{\overline{EN1}} = V_{\overline{EN2}} = V_{PVDD2}$ | | 70 | 150 | μA |
| I_{DDQ} Quiescent, non-switching | | $V_{FB} = 0.9\text{ V}$, Outputs off | | 1.8 | 3.0 | mA |
| I_{DDSW} Quiescent, while-switching | | SW node unloaded; Measured as BP sink current | | 5 | | |
| V_{UVLO} Minimum turn-on voltage | | PVDD2 only | 3.8 | 4.1 | 4.4 | V |
| $V_{UVLO(hys)}$ Hysteresis | | | | 400 | | mV |
| $t_{START}^{(1)(2)}$ Time from startup to softstart begin | | $C_{BP} = 10\ \mu\text{F}$, $\overline{EN1}$ and $\overline{EN2}$ go low simultaneously | | 2 | | ms |
| ENABLE (\overline{EN}) | | | | | | |
| $V_{\overline{EN1}}$ — Enable threshold | | | 0.9 | 1.2 | 1.5 | V |
| $V_{\overline{EN2}}$ | | | | | | |
| | Hysteresis | | | 50 | | mV |
| $I_{\overline{EN1}}$ — Enable pull-up current | | $V_{\overline{EN1}} = V_{\overline{EN2}} = 0\text{ V}$ | | 6 | 12 | μA |
| $I_{\overline{EN2}}$ | | | | | | |
| $t_{\overline{EN}}^{(1)}$ Time from enable to soft-start begin | | Other EN pin = GND | | 10 | | μs |
| BP REGULATOR (BP) | | | | | | |
| BP Regulator voltage | | $8\text{ V} < P_{VDD2} < 28\text{ V}$ | 5 | 5.25 | 5.6 | V |
| BP_{LDO} Dropout voltage | | $P_{VDD2} = 4.5\text{ V}$; switching, no external load on BP | | 400 | | mV |
| $I_{BP}^{(1)}$ Regulator external load | | | | | 2 | mA |
| I_{BPS} Regulator short circuit | | $4.5\text{ V} < P_{VDD2} < 28\text{ V}$ | 10 | 20 | 30 | |
| OSCILLATOR | | | | | | |
| f_{SW} Switching frequency | TPS54383 | | 255 | 310 | 375 | kHz |
| | TPS54386 | | 510 | 630 | 750 | |
| $t_{DEAD}^{(1)}$ Clock dead time | | | | 140 | | ns |
| ERROR AMPLIFIER (EA) and VOLTAGE REFERENCE (REF) | | | | | | |
| V_{FB1} — Feedback input voltage | | $0^{\circ}\text{C} < T_J < +85^{\circ}\text{C}$ | 788 | 800 | 812 | mV |
| V_{FB2} | | $-40^{\circ}\text{C} < T_J < +125^{\circ}\text{C}$ | 786 | | 812 | |
| I_{FB1} — Feedback input bias current | | | | 3 | 50 | nA |
| I_{FB2} | | | | | | |
| $g_{M1}^{(1)}$ — Transconductance | | | | 30 | | μS |
| $g_{M2}^{(1)}$ | | | | | | |
| SOFT-START (SS) | | | | | | |
| T_{SS1} — Soft-start time | | | 1.5 | 2.1 | 2.7 | ms |
| T_{SS2} | | | | | | |
| OVERCURRENT PROTECTION | | | | | | |
| I_{CL1} Current limit channel 1 | | | 3.6 | 4.5 | 5.6 | A |
| I_{CL2} Current limit channel 2 | | $V_{ILIM2} = V_{BP}$ | 3.6 | 4.5 | 5.6 | |
| | | $V_{ILIM2} = (\text{floating})$ | 2.4 | 3.0 | 3.6 | |
| | | $V_{ILIM2} = \text{GND}$ | 1.15 | 1.50 | 1.75 | |
| V_{UV1} — Low-level output threshold to declare a fault | | Measured at feedback pin. | | 670 | | mV |
| V_{UV2} | | | | | | |
| $T_{HICCUP}^{(1)}$ Hiccup timeout | | | | 10 | | ms |
| $t_{ON1(oc)}^{(1)}$ — Minimum overcurrent pulse width | | | | 90 | 150 | ns |
| $t_{ON2(oc)}^{(1)}$ | | | | | | |

(1) Ensured by design. Not production tested.

(2) When both outputs are started simultaneously, a 20-mA current source charges the BP capacitor. Faster times are possible with a lower BP capacitor value. More information can be found in the [Input UVLO and Startup](#) section.

Electrical Characteristics (continued)

$-40^{\circ}\text{C} \leq T_J \leq +125^{\circ}\text{C}$, $V_{PVDD1} = V_{PVDD2} = 12\text{ V}$, unless otherwise noted.

| PARAMETER | | TEST CONDITIONS | MIN | TYP | MAX | UNIT |
|---|--|---|-----|-----|-----|--------------------|
| BOOTSTRAP | | | | | | |
| R_{BOOT1} | Bootstrap switch resistance | From BP to BOOT1 or BP to BOOT2, $I_{EXT} = 50\text{ mA}$ | 18 | | | Ω |
| R_{BOOT2} | | | | | | |
| OUTPUT STAGE (Channel 1 and Channel 2) | | | | | | |
| $R_{DS(on)}$ ⁽¹⁾ | MOSFET on resistance plus bond wire resistance | $T_J = +25^{\circ}\text{C}$, $V_{PVDD2} = 8\text{ V}$ | 85 | | | m Ω |
| | | $-40^{\circ}\text{C} < T_J < +125^{\circ}\text{C}$, $V_{PVDD2} = 8\text{ V}$ | 85 | 165 | | |
| $t_{ON(min)}$ ⁽¹⁾ | Minimum controllable pulse width | I_{SWx} peak current $> 1\text{ A}$ ⁽³⁾ | 100 | 200 | | ns |
| D_{MIN} | Minimum Duty Cycle | $V_{FB} = 0.9\text{ V}$ | 0 | | | % |
| D_{MAX} | Maximum Duty Cycle | TPS54383 $f_{SW} = 300\text{ kHz}$ | 90 | 95 | | % |
| | | TPS54386 $f_{SW} = 600\text{ kHz}$ | 85 | 90 | | % |
| I_{SW} | Switching node leakage current (sourcing) | Outputs OFF | 2 | 12 | | μA |
| THERMAL SHUTDOWN | | | | | | |
| T_{SD} ⁽¹⁾ | Shutdown temperature | | 148 | | | $^{\circ}\text{C}$ |
| $T_{SD(hys)}$ ⁽¹⁾ | Hysteresis | | 20 | | | |

(3) See [Figure 14](#) for I_{SWx} peak current $< 1\text{ A}$.

7.6 Typical Characteristics

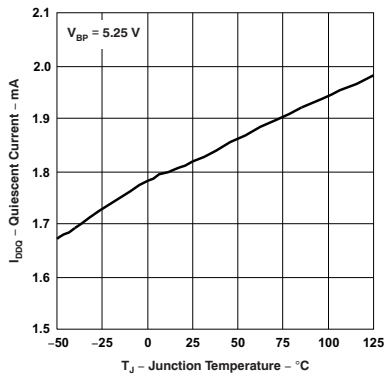


Figure 1. Quiescent Current (Non-Switching) vs Junction Temperature

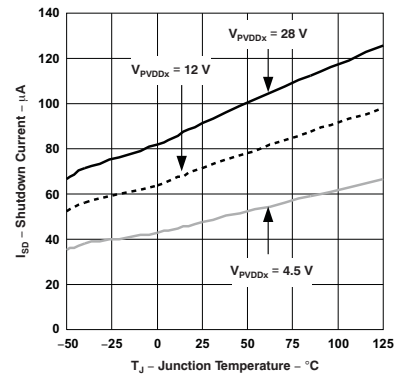


Figure 2. Shutdown Current vs Junction Temperature

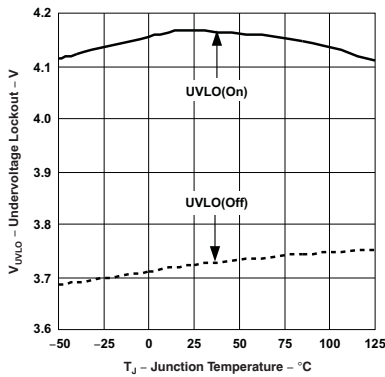


Figure 3. Undervoltage Lockout Threshold vs Junction Temperature

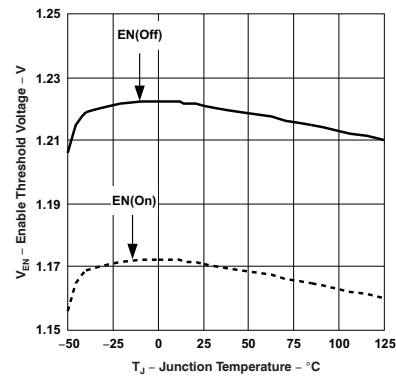


Figure 4. Enable Thresholds vs Junction Temperature

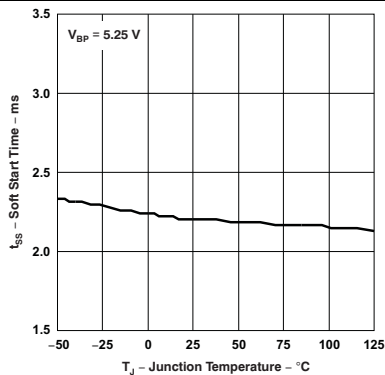


Figure 5. Soft-Start Time vs Junction Temperature

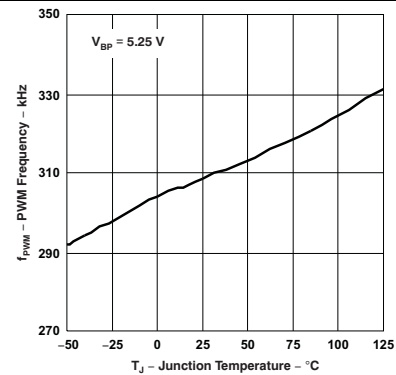


Figure 6. Switching Frequency (300 kHz) vs Junction Temperature

Typical Characteristics (continued)

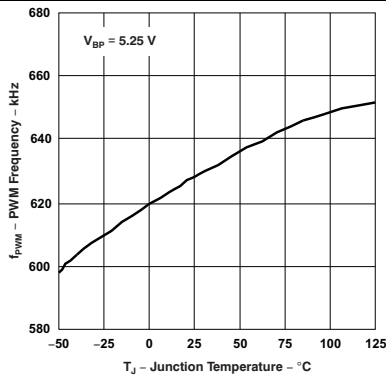


Figure 7. Switching Frequency (600 kHz) vs Junction Temperature

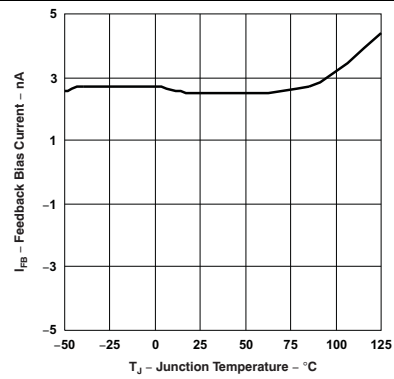


Figure 8. Feedback Bias Current vs Junction Temperature

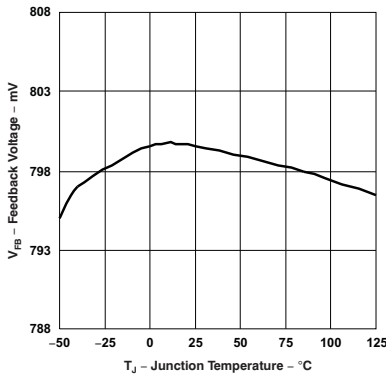


Figure 9. Feedback Voltage vs Junction Temperature

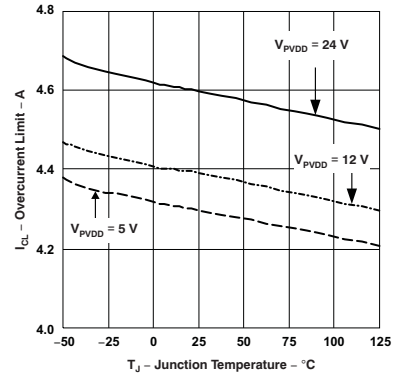


Figure 10. Overcurrent Limit (CH1, CH2 High Level) vs Junction Temperature

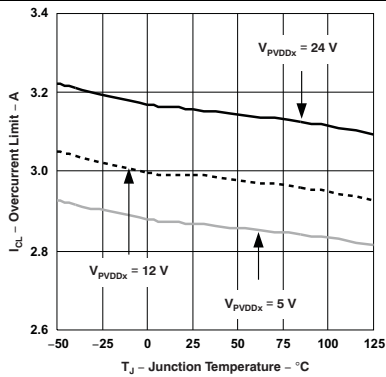


Figure 11. Overcurrent Limit (CH2 Mid Level) vs Junction Temperature

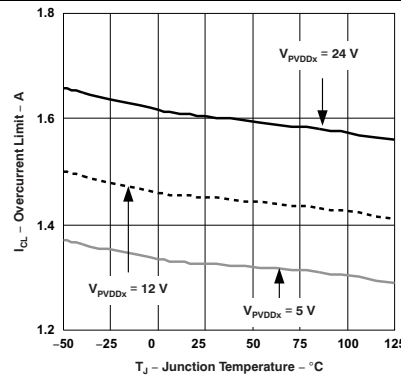


Figure 12. Overcurrent Limit (CH2 Low Level) vs Junction Temperature

Typical Characteristics (continued)

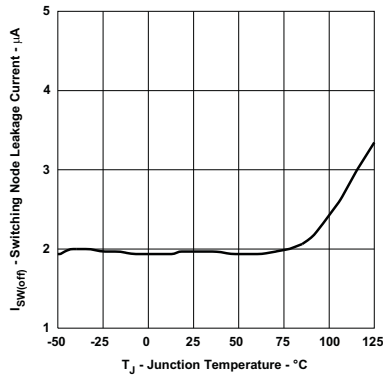


Figure 13. Switching Node Leakage Current vs Junction Temperature

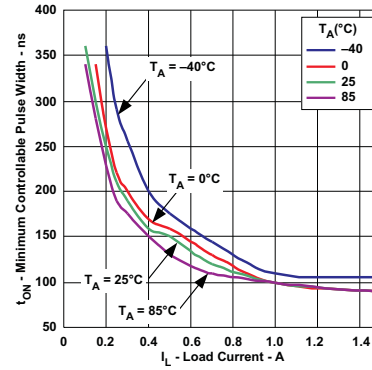


Figure 14. Minimum Controllable Pulse Width vs Load Current

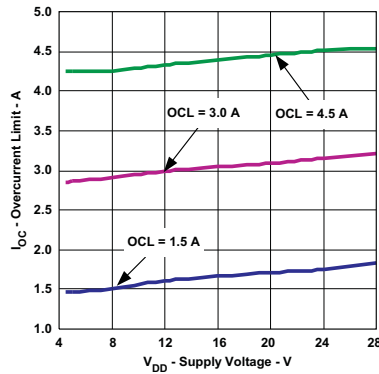


Figure 15. Overcurrent Limit vs Supply Voltage

8 Detailed Description

8.1 Overview

The TPS54383 and TPS54386 are dual output, non-synchronous step down (buck) converters. Integrated into each PWM channel is an internally-compensated error amplifier, current mode pulse width modulator (PWM), switch MOSFET, internal bootstrap switch for high-side gate drive, and fault protection circuitry. Each channel also contains an EN pin and internal fixed soft-start time. The fault protection circuitry includes cycle-by-cycle current limit, output undervoltage detection, hiccup timeout and thermal shutdown. Channel 1 has a fixed current limit and channel 2 has three selectable overcurrent levels. Common to the two channels is the internal BP voltage regulator, voltage reference, clock oscillator, and output voltage sequencing functions.

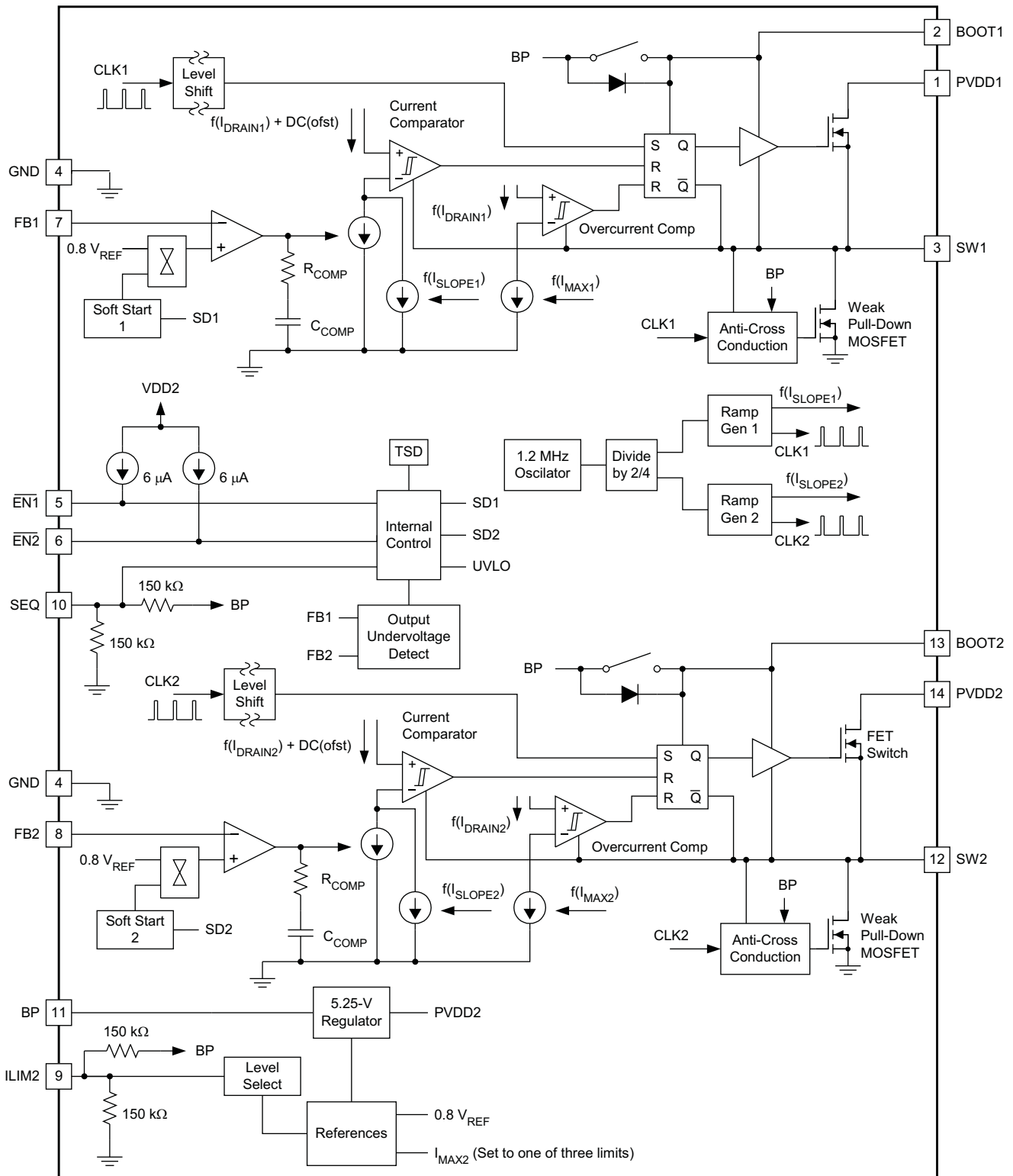
DESIGN HINT

The TPS5438x contains internal slope compensation and loop compensation components; therefore, the external L-C filter must be selected appropriately so that the resulting control loop meets criteria for stability. This approach differs from an externally-compensated controller, where the L-C filter is generally selected first, and the compensation network is found afterwards. (See [Feedback Loop and L-C Filter Selection](#) section.)

NOTE

Unless otherwise noted, the term *TPS5438x* applies to both the TPS54383 and TPS54386. Also, unless otherwise noted, a label with a lowercase *x* appended implies the term applies to both outputs of the two modulator channels. For example, the term \overline{ENx} implies both $\overline{EN1}$ and $\overline{EN2}$. Unless otherwise noted, all parametric values given are typical. Refer to the [Electrical Characteristics](#) for minimum and maximum values. Calculations should be performed with tolerance values taken into consideration.

8.2 Functional Block Diagram



UDG-07124

8.3 Feature Description

8.3.1 Voltage Reference

The bandgap cell common to both outputs, trimmed to 800 mV.

8.3.2 Oscillator

The oscillator frequency is internally fixed at two times the SWx node switching frequency. The two outputs are internally configured to operate on alternating switch cycles (that is, 180° out of phase).

8.3.3 Input Undervoltage Lockout (UVLO) and Startup

When the voltage at the PVDD2 pin is less than 4.1 V, a portion of the internal bias circuitry is operational, and all other functions are held OFF. All of the internal MOSFETs are also held OFF. When the PVDD2 voltage rises above the UVLO turn-on threshold, the state of the enable pins determines the remainder of the internal startup sequence. If either output is enabled ($\overline{\text{EN}}_x$ pulled low), the BP regulator turns on, charging the BP capacitor with a 20-mA current. When the BP pin is greater than 4 V, PWM is enabled and soft-start begins, depending on the SEQ mode of operation and the EN1 and EN2 settings.

Note that the internal regulator and control circuitry are powered from PVDD2. The voltage on PVDD1 may be higher or lower than PVDD2. (See the [Dual Supply Operation](#) section.)

8.3.4 Enable and Timed Turn On of the Outputs

Each output has a dedicated (active low) enable pin. If left floating, an internal current source pulls the pin to PVDD2. By grounding, or by pulling the $\overline{\text{EN}}_x$ pin to below approximately 1.2 V with an external circuit, the associated output is enabled and soft-start is initiated.

If both enable pins are left in the *high* state, the device operates in a shutdown mode, where the BP regulator is shut down and minimal functions are active. The total standby current from both PVDD pins is approximately 70 μA at 12-V input supply.

An R-C connected to an $\overline{\text{EN}}_x$ pin may be used to delay the turn-on of the associated output after power is applied to PVDDx (see [Figure 16](#)). After power is applied to PVDD2, the voltage on the $\overline{\text{EN}}_x$ pin slowly decays towards ground. Once the voltage decays to approximately 1.2 V, then the output is enabled and the startup sequence begins. If it is desired to enable the outputs of the device immediately upon the application of power to PVDD2, then omit these two components and tie the $\overline{\text{EN}}_x$ pin to GND directly.

If an R-C circuit is used to delay the turn-on of the output, the resistor value must be much less than 1.2 V / 6 μA or 200 k Ω . A suggested value is 51 k Ω . This resistor value allows the $\overline{\text{EN}}_x$ voltage to decay below the 1.2-V threshold while the 6- μA bias current flows.

The capacitor value required to delay the startup time (after the application of PVDD2) is shown in [Equation 1](#).

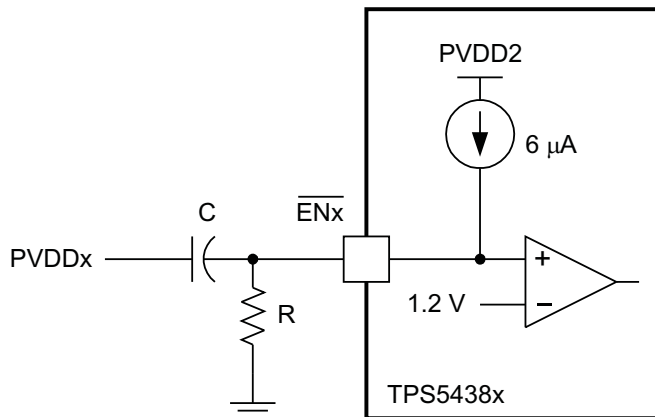
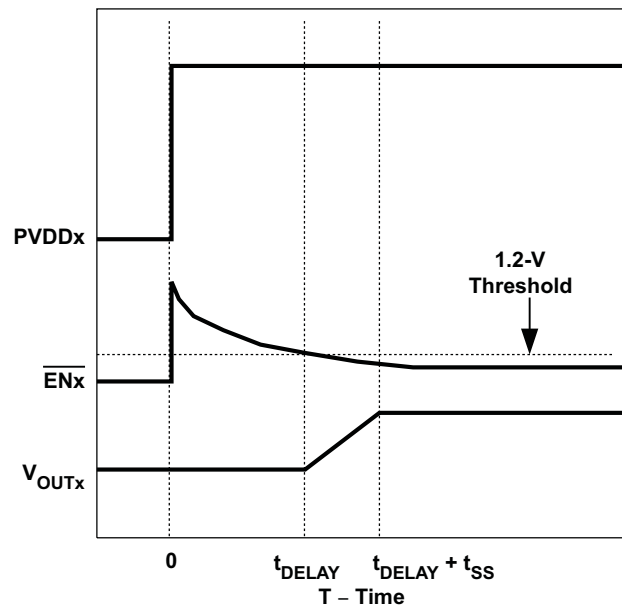
$$C = \frac{t_{\text{DELAY}}}{R \times \ln \left(\frac{V_{\text{IN}} - 2 \times I_{\overline{\text{EN}}_x} \times R}{V_{\text{TH}} - I_{\overline{\text{EN}}_x} \times R} \right)} \text{ farads}$$

where:

- R and C are the timing components
- V_{TH} is the 1.2-V enable threshold voltage
- $I_{\overline{\text{EN}}_x}$ is the 6 μA enable pin biasing current

(1)

Other enable pin functionality is dictated by the state of the SEQ pin. (See the [Output Voltage Sequencing](#) section.)

Feature Description (continued)

Figure 16. Startup Delay Schematic

Figure 17. Startup Delay with R-C on Enable
DESIGN HINT

If delayed output voltage startup is not necessary, simply connect $\overline{\text{EN1}}$ and $\overline{\text{EN2}}$ to GND. This configuration allows the outputs to start immediately on valid application of PVDD2.

If $\overline{\text{ENx}}$ is allowed to go *high* after the Outputx has been in regulation, the upper MOSFET shuts off, and the output decays at a rate determined by the output capacitor and the load. The internal pulldown MOSFET remains in the OFF state. (See the [Bootstrap for N-Channel MOSFET](#) section.)

8.3.5 Output Voltage Sequencing

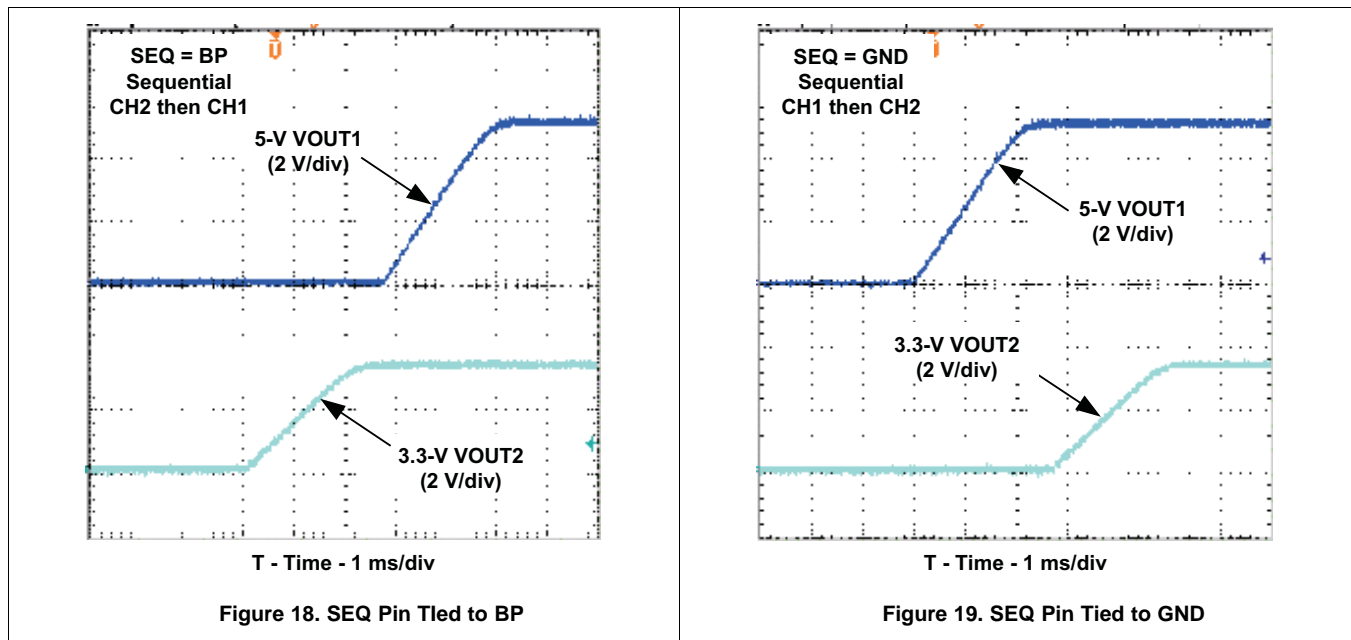
The TPS5438x allows single-pin programming of output voltage startup sequencing. During power-on, the state of the SEQ pin is detected. Based on whether the pin is tied to BP, to GND, or left floating, the outputs behave as described in [Table 1](#).

Table 1. Sequence States

| SEQ PIN STATE | MODE | $\overline{\text{EN1}}$ | $\overline{\text{EN2}}$ |
|---------------|---|---|---|
| BP | Sequential, Output 2 then Output 1 | Ignored by the device when $V_{\overline{\text{EN2}}} <$ enable threshold voltage | Active |
| | | Tie $\overline{\text{EN1}}$ to $<$ enable threshold voltage for BP to be active when $V_{\overline{\text{EN2}}} >$ enable threshold voltage | |
| | | Tie $\overline{\text{EN1}}$ to $>$ enable threshold voltage for low quiescent current (BP inactive) when $V_{\overline{\text{EN2}}} >$ enable threshold voltage | |
| GND | Sequential, Output 1 then Output 2 | Active | Ignored by the device when $V_{\overline{\text{EN1}}} <$ enable threshold voltage |
| | | | Tie $\overline{\text{EN2}}$ to $<$ enable threshold voltage for BP to be active when $V_{\overline{\text{EN1}}} >$ enable threshold voltage |
| | | | Tie $\overline{\text{EN2}}$ to $>$ enable threshold voltage for low quiescent current (BP inactive) when $V_{\overline{\text{EN1}}} >$ enable threshold voltage |
| (floating) | Independent or Ratiometric, Output 1 and Output 2 | Active. $\overline{\text{EN1}}$ and $\overline{\text{EN2}}$ must be tied together for Ratio-metric startup. | Active. $\overline{\text{EN1}}$ and $\overline{\text{EN2}}$ must be tied together for Ratio-metric startup. |

If the SEQ pin is connected to BP, then when Output 2 is enabled, Output 1 is allowed to start approximately 400 μ s after Output 2 has reached regulation; that is, sequential startup where Output 1 is slave to Output 2. If $\overline{EN2}$ is allowed to go high after the outputs have been operating, then both outputs are disabled immediately, and the output voltages decay according to the load that is present.

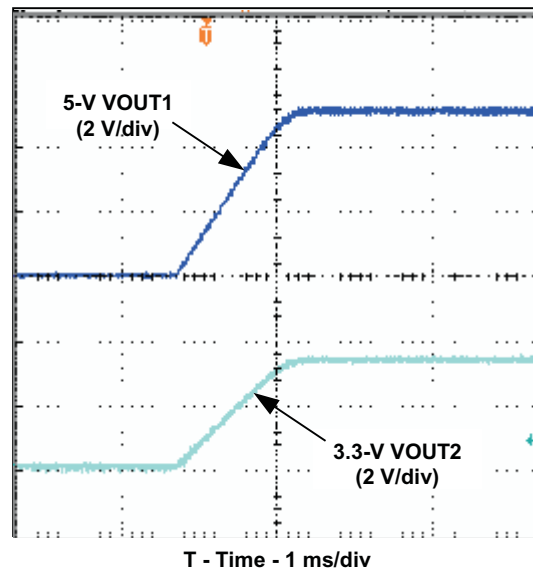
If the SEQ pin is connected to GND, then when Output 1 is enabled, Output 2 is allowed to start approximately 400 μ s after Output 1 has reached regulation; that is, sequential startup where Output 2 is slave to Output 1. If $\overline{EN1}$ is allowed to go high after the outputs have been operating, then both outputs are disabled immediately, and the output voltages decay according to the load that is present.



NOTE

An R-C network connected to the \overline{ENx} pin may be used in addition to the SEQ pin in sequential mode to delay the startup of the first output voltage. This approach may be necessary in systems with a large number of output voltages and elaborate voltage sequencing requirements. See [Enable and Timed Turn On of the Outputs](#).

If the SEQ pin is left floating, Output 1 and Output 2 each start ratiometrically when both outputs are enabled at the same time. Output 1 and Output 2 soft-start at a rate that is determined by the respective final output voltages and enter regulation at the same time. If the $\overline{EN1}$ and $\overline{EN2}$ pins are allowed to operate independently, then the two outputs also operate independently.


Figure 20. SEQ Pin Floating

8.3.6 Soft-Start

Each output has a dedicated soft-start circuit. The soft-start voltage is an internal digital reference ramp to one of two noninverting inputs of the error amplifier. The other input is the (internal) precision 0.8-V reference. The total ramp time for the FB voltage to charge from 0 V to 0.8 V is about 2.1 ms. During a soft-start interval, the TPS5438x output slowly increases the voltage to the noninverting input of the error amplifier. In this way, the output voltage ramps up slowly until the voltage on the noninverting input to the error amplifier reaches the internal 0.8 V reference voltage. At that time, the voltage at the noninverting input to the error amplifier remains at the reference voltage.

NOTE

To avoid a disturbance in the output voltage during the stepping of the digital soft-start, a minimum output capacitance of 50 μ F is recommended. See [Feedback Loop and Inductor-Capacitor \(L-C\) Filter Selection](#). Once the filter and compensation components have been established, laboratory measurements of the physical design should be performed to confirm converter stability.

During the soft-start interval, pulse-by-pulse current limiting is in effect. If an overcurrent pulse is detected, six PWM pulses are skipped to allow the inductor current to decay before another PWM pulse is applied. (See the [Output Overload Protection](#) section.) There is no pulse skipping if a current limit pulse is not detected.

DESIGN HINT

If the rate of rise of the input voltage (PVDDx) is such that the input voltage is too low to support the desired regulation voltage by the time Soft-Start has completed, then the output UV circuit may trip and cause a *hiccup* in the output voltage. In this case, use a timed delay startup from the $\overline{\text{EN}}_x$ pin to delay the startup of the output until the PVDDx voltage has the capability of supporting the desired regulation voltage. See [Operating Near Maximum Duty Cycle](#) and [Maximum Output Capacitance](#) for related information.

8.3.7 Output Voltage Regulation

Each output has a dedicated feedback loop comprised of a voltage setting divider, an error amplifier, a pulse width modulator, and a switching MOSFET. The regulation output voltage is determined by a resistor divider connecting the output node, the FBx pin, and GND (see [Figure 21](#)). Assuming the value of the upper voltage setting divider is known, the value of the lower divider resistor for a desired output voltage is calculated by [Equation 2](#).

$$R2 = R1 \times \left[\frac{V_{REF}}{V_{OUT} - V_{REF}} \right]$$

where

- V_{REF} is the internal 0.8-V reference voltage

(2)

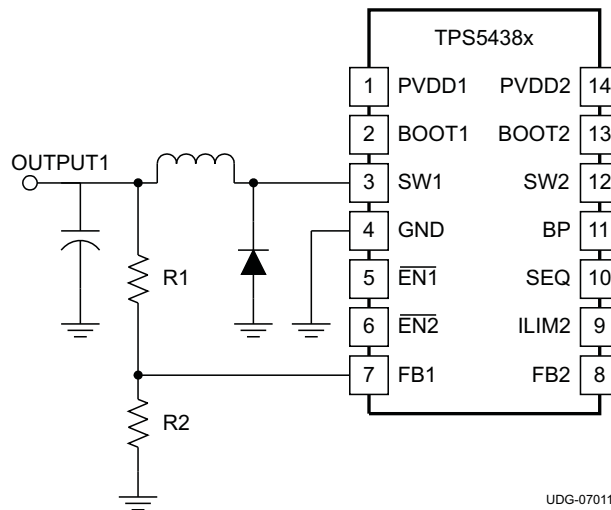


Figure 21. Feedback Network for Channel 1

DESIGN HINT

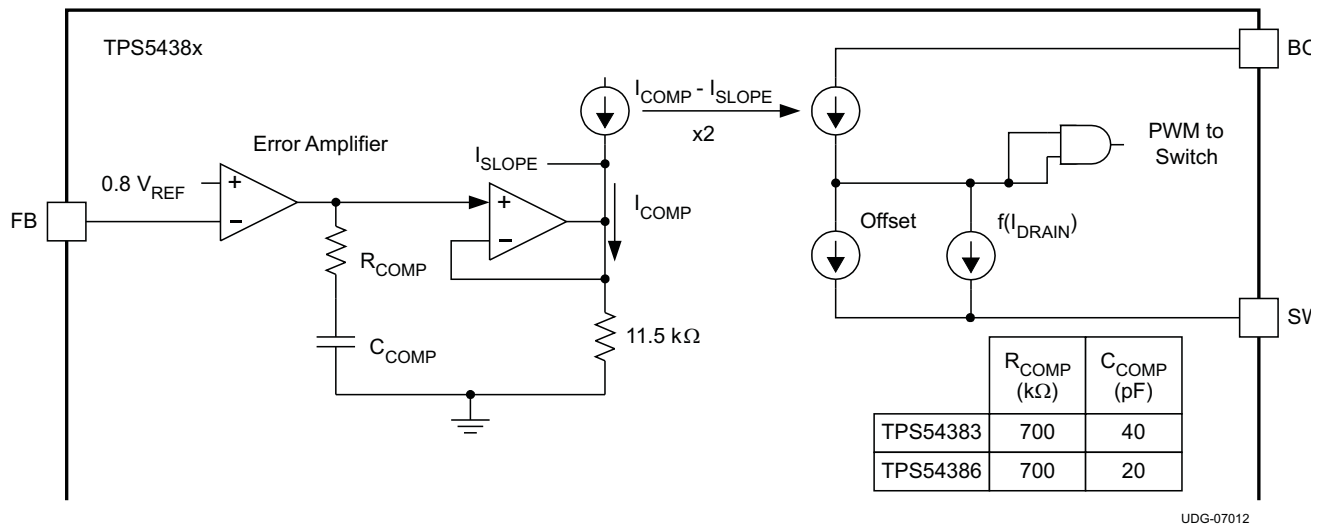
There is a leakage current of up to 12 μ A out of the SW pin when a single output of the TPS5438x is disabled. Keeping the series impedance of $R1 + R2$ less than 50 k Ω prevents the output from floating above the reference voltage while the controller output is in the OFF state.

8.3.8 Feedback Loop and Inductor-Capacitor (L-C) Filter Selection

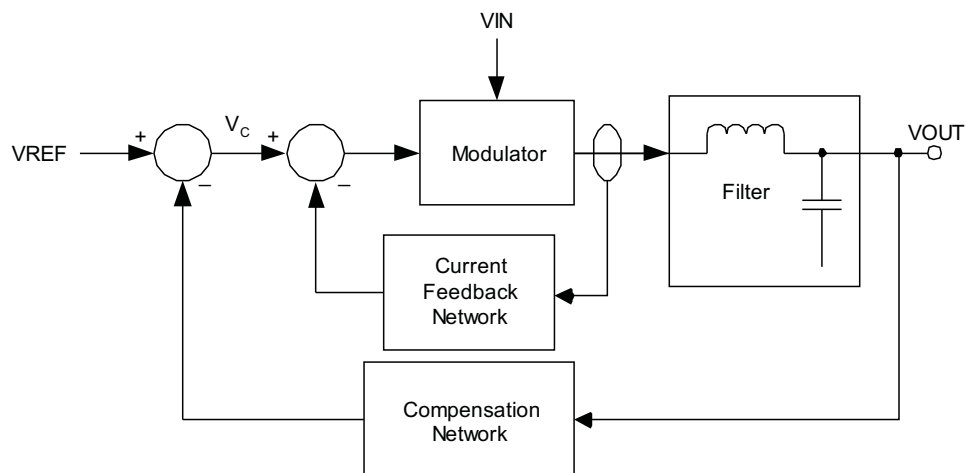
In the feedback signal path, the output voltage setting divider is followed by an internal g_M -type error amplifier with a typical transconductance of 30 μ S. An internal series connected R-C circuit from the g_M amplifier output to ground serves as the compensation network for the converter. The signal from the error amplifier output is then buffered and combined with a slope compensation signal before it is mirrored to be referenced to the SW node. Here, it is compared with the current feedback signal to create a pulse-width-modulated (PWM) signal-fed to drive the upper MOSFET switch. A simplified equivalent circuit of the signal control path is depicted in [Figure 22](#).

NOTE

Noise coupling from the SWx node to internal circuitry of BOOTx may impact narrow pulse width operation, especially at load currents less than 1 A. See [SW Node Ringing](#) for further information on reducing noise on the SWx node.


Figure 22. Feedback Loop Equivalent Circuit

A more conventional small signal equivalent block diagram is shown in [Figure 23](#). Here, the full closed loop signal path is shown. Because the TPS5438x contains internal slope compensation and loop compensation components, the external L-C filter must be selected appropriately so that the resulting control loop meets criteria for stability. This approach differs from an externally-compensated controller, where the L-C filter is generally selected first, and the compensation network is found afterwards. To find the appropriate L and C filter combination, the Output-to-V_c signal path plots (see [the next section](#)) of gain and phase are used along with other design criteria to aid in finding the combinations that best results in a stable feedback loop.


Figure 23. Small Signal Equivalent Block Diagram

8.3.9 Inductor-Capacitor (L-C) Selection

The following figures plot the TPS5438x Output-to-V_c gain and phase versus frequency for various duty cycles (10%, 30%, 50%, 70%, 90%) at three (200 mA, 400 mA, 600 mA) peak-to-peak ripple current levels. The loop response curve selected to compensate the loop is based on the duty cycle of the application and the ripple current in the inductor. Once the curve has been selected and the inductor value has been calculated, the output capacitor is found by calculating the L-C resonant frequency required to compensate the feedback loop. A brief example follows the curves.

Note that the internal error amplifier compensation is optimized for output capacitors with an ESR zero frequency between 20 kHz and 60 kHz. See the following sections for further details.

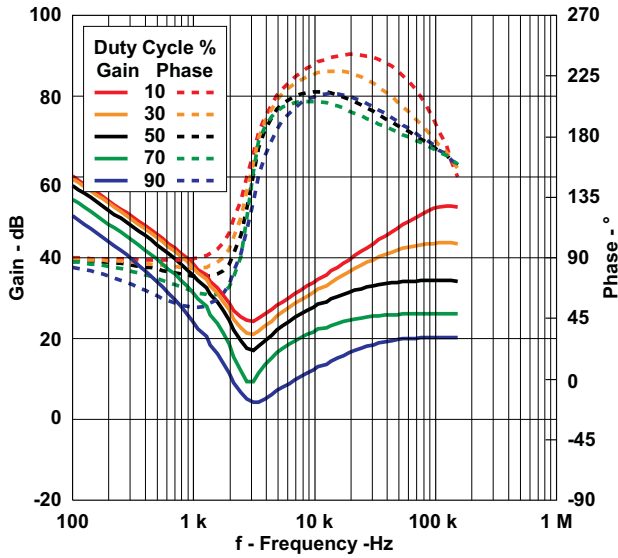


Figure 24. Gain and Phase vs Frequency. TPS54383 at 200-mApp Ripple Current

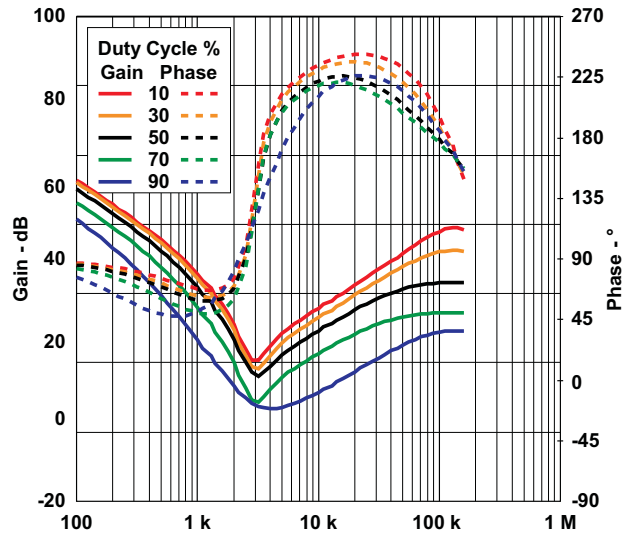


Figure 25. Gain and Phase vs Frequency. TPS54383 at 400-mApp Ripple Current

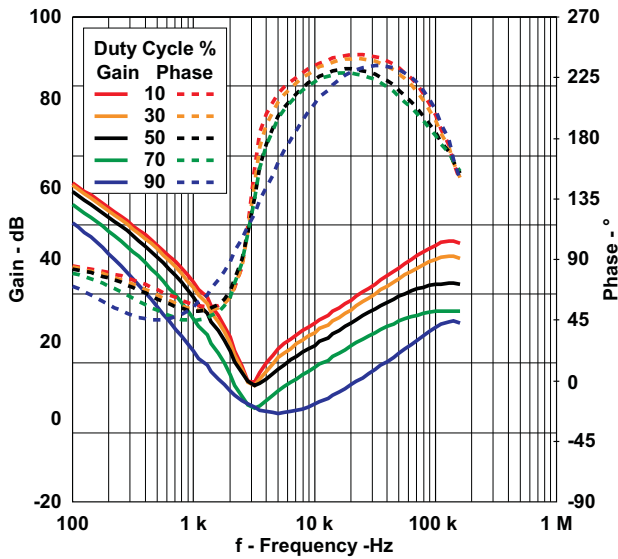


Figure 26. Gain and Phase vs Frequency. TPS54383 at 600-mApp Ripple Current

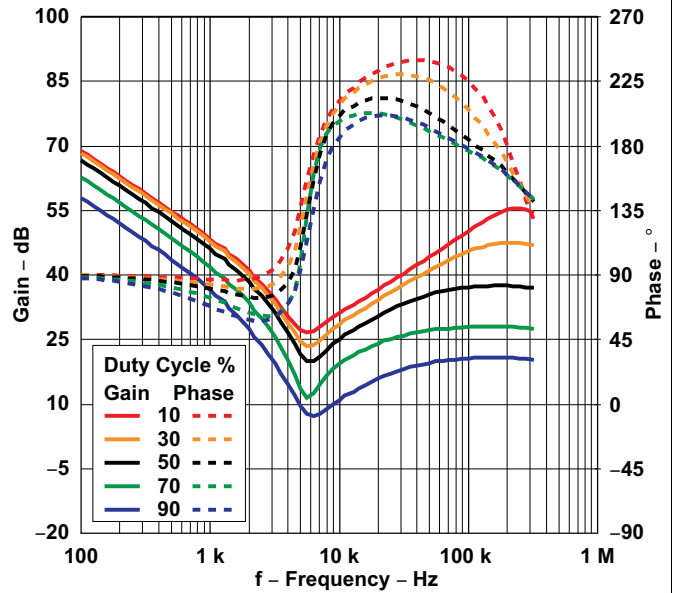
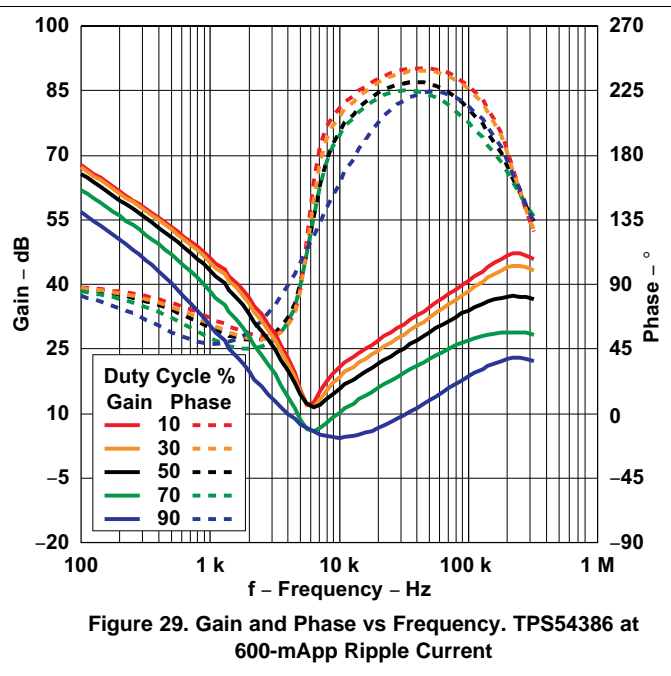
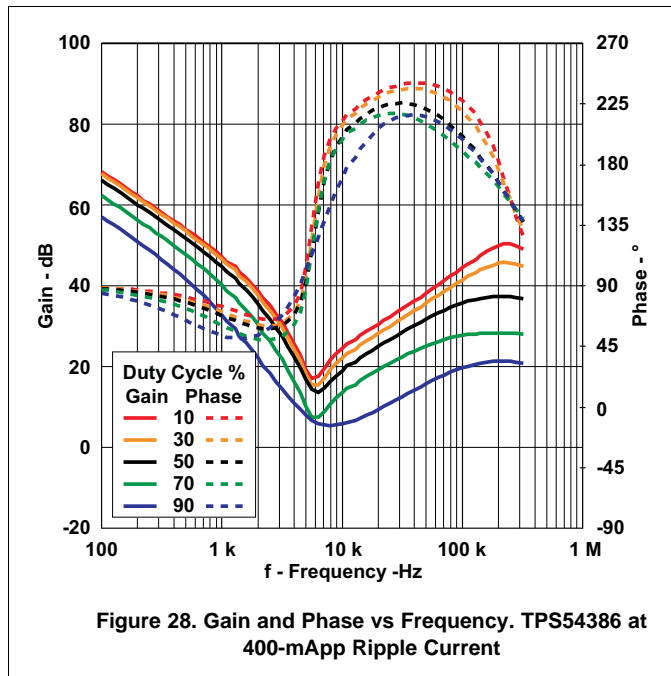


Figure 27. Gain and Phase vs Frequency. TPS54386 at 200-mApp Ripple Current



8.3.10 Maximum Output Capacitance

With internal pulse-by-pulse current limiting and a fixed soft-start time, there is a maximum output capacitance which may be used before startup problems begin to occur. If the output capacitance is large enough so that the device enters a current limit protection mode during startup, then there is a possibility that the output will never reach regulation. Instead, the TPS5438x simply shuts down and attempts a restart as if the output were short-circuited to ground. The maximum output capacitance (including bypass capacitance distributed at the load) is given by [Equation 3](#):

$$C_{OUTmax} = \frac{t_{SS}}{V_{REF}} \left[I_{CLx} - V_{REF} \left(1 + \frac{R1}{R2} \right) \left(1 - \frac{V_{REF} \left(1 + \frac{R1}{R2} \right) \times T_S}{2 \times V_{IN} \times L} + \frac{1}{R_{LOAD}} \right) \right] \tag{3}$$

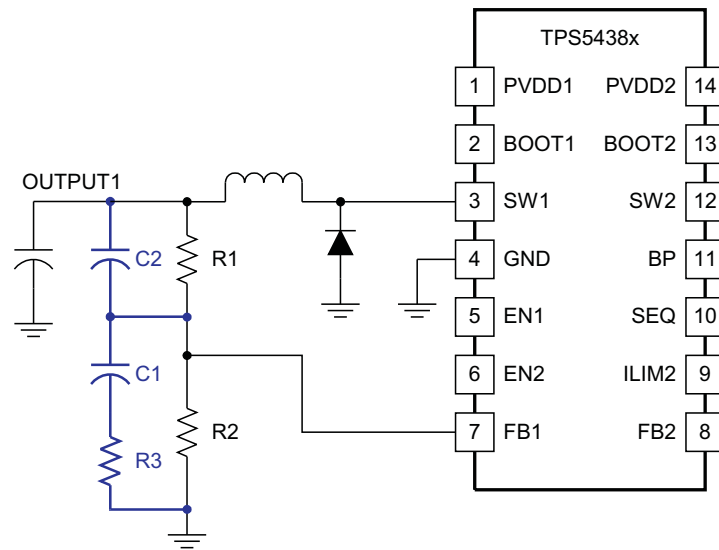
8.3.11 Minimum Output Capacitance

Ensure the value of capacitance selected for closed loop stability is compatible with the requirements of [Soft-Start](#).

8.3.12 Modifying The Feedback Loop

Within the limits of the internal compensation, there is flexibility in the selection of the inductor and output capacitor values. A smaller inductor increases ripple current, and raises the resonant frequency, thereby increasing the required amount of output capacitance. A smaller capacitor could also be used, increasing the resonant frequency, and increasing the overall loop bandwidth—perhaps at the expense of adequate phase margin.

The internal compensation of the TPS54x8x is designed for capacitors with an ESR zero frequency between 20kHz and 60kHz. It is possible, with additional feedback compensation components, to use capacitors with higher or lower ESR zero frequencies. For either case, the components C1 and R3 (ref. [Figure 30](#)) are added to re-compensate the feedback loop for stability. In this configuration a low frequency pole is followed by a higher frequency zero. The placement of this pole-zero pair is dependent on the type of output capacitor used, and the desired closed loop frequency response.



UDG-07013

Figure 30. Optional Loop Compensation Components

NOTE

Once the filter and compensation components have been established, laboratory measurements of the physical design should be performed to confirm converter stability.

8.3.12.1 Using High-ESR Output Capacitors

If a high-ESR capacitor is used in the output filter, a zero appears in the loop response that could lead to instability. To compensate, a small R-C series connected network is placed in parallel with the lower voltage setting divider resistor (see Figure 30). The values of the components are determined such that a pole is placed at the same frequency as the ESR zero and a new zero is placed at a frequency location conducive to good loop stability.

The value of the resistor is calculated using a ratio of impedances to match the ratio of ESR zero frequency to the desired zero frequency.

$$R3 = \frac{R2}{\left(\left(\frac{f_{ZERO(desired)}}{f_{ESR(zero)}} \right) - 1 \right)}$$

where:

- $f_{ESR(zero)}$ is the ESR zero frequency of the output capacitor.
- $f_{ZERO(desired)}$ is the desired frequency of the zero added to the feedback. This frequency should be placed between 20 kHz and 60 kHz to ensure good loop stability. (4)

The value of the capacitor is calculated in Equation 5.

$$C1 = \frac{1}{2\pi \times R_{EQ} \times f_{ESR(zero)}}$$

where:

- R_{EQ} is an equivalent impedance created by the parallel combination of the voltage setting divider resistors (R1 and R2) in series with R3. (5)

$$R_{EQ} = R3 + \frac{1}{\left(\frac{1}{R1}\right) + \left(\frac{1}{R2}\right)} \quad (6)$$

8.3.12.2 Using All Ceramic Output Capacitors

With low ESR ceramic capacitors, there may not be enough phase margin at the crossover frequency. In this case, (see [Figure 30](#)) resistor R3 is set equal to 1/2 R2. This lowers the gain by 6 dB, reduce the crossover frequency, and improve phase margin.

The value of C1 is found by determining the frequency to place the low frequency pole. The minimum frequency to place the pole is 1 kHz. Any lower, and the time constant will be too slow and interfere with the internal soft-start (see [Soft-Start](#)). The upper bound for the pole frequency is determined by the operating frequency of the converter. It is 3 kHz for the TPS54x83, and 6 kHz for the TPS54x86. C1 is then found from [Equation 7](#). Keep component tolerances in mind when selecting the desired pole frequency.

$$C1 = \frac{1}{2\pi \times R_{EQ} \times f_{POLE(desired)}}$$

where:

- $f_{POLE(desired)}$ is the desired pole frequency between 1 kHz and 3 kHz (TPS54x83) or 1 kHz and 6 kHz (TPS54x86).
- R_{EQ} is an equivalent impedance created by the parallel combination of the voltage setting divider resistors (R1 and R2) in series with R3. (7)

$$R_{EQ} = R3 + \frac{1}{\left(\frac{1}{R1}\right) + \left(\frac{1}{R2}\right)} \quad (8)$$

If it is necessary to increase phase margin, place a capacitor in parallel with the upper voltage setting divider resistor (Ref. C2 in [Equation 9](#)).

$$C2 = \frac{1}{2\pi \times f_C \times R1} \times \sqrt{1 + \frac{R1}{\left(\frac{R2 \times R3}{R2 + R3}\right)}}$$

where

- f_C is the unity gain crossover frequency, (approximately 50 kHz for most designs following these guidelines) (9)

8.3.13 Example: TPS54386 Buck Converter Operating at 12-V Input, 3.3-V Output and 400-mA_(P-P) Ripple Current

First, the steady state duty cycle is calculated. Assuming the rectifier diode has a voltage drop of 0.5 V, the duty cycle is approximated using [Equation 10](#).

$$\delta = \frac{V_{OUT} + V_{DIODE}}{V_{IN} + V_{DIODE}} = \frac{3.3 + 0.5}{12 + 0.5} = 30\% \quad (10)$$

The filter inductor is then calculated; see [Equation 11](#).

$$L = \frac{V_{IN} - V_{OUT}}{\Delta I_L} \times \delta \times T_S = \frac{12 - 3.3}{0.4} \times 0.3 \times \frac{1}{600000} = 10.9 \mu\text{H} \quad (11)$$

A custom-designed inductor may be used for the application, or a standard value close to the calculated value may be used. For this example, a standard 10-μH inductor is used. Using Figure 28, find the 30% duty cycle curve. The 30% duty cycle curve has a down slope from low frequency and rises at approximately 6 kHz. This curve is the resonant frequency that must be compensated. Any frequency within an octave of the peak may be used in calculating the capacitor value. In this example, 6 kHz is used.

$$C = \frac{1}{L \times (2 \times \pi \times f_{RES})^2} = \frac{1}{10 \times 10^{-6} \times (2 \times 3.14 \times 6000)^2} = 70 \mu\text{F} \quad (12)$$

A 68-μF capacitor should be used as a bulk capacitor, with up to 10 μF of ceramic bypass capacitance. To ensure the ESR zero does not significantly impact the loop response, the ESR of the bulk capacitor should be placed a decade above the resonant frequency.

$$R_{ESR} < \frac{1}{2 \times \pi \times 10 \times f_{RES} \times C} = \frac{1}{2 \times 3.14 \times 10 \times 6000 \times 68 \times (10)^{-6}} \approx 40 \text{ m}\Omega \quad (13)$$

The resulting loop gain and phase are shown in Figure 31. Based on measurement, loop crossover is 45 kHz with a phase margin of 60 degrees.

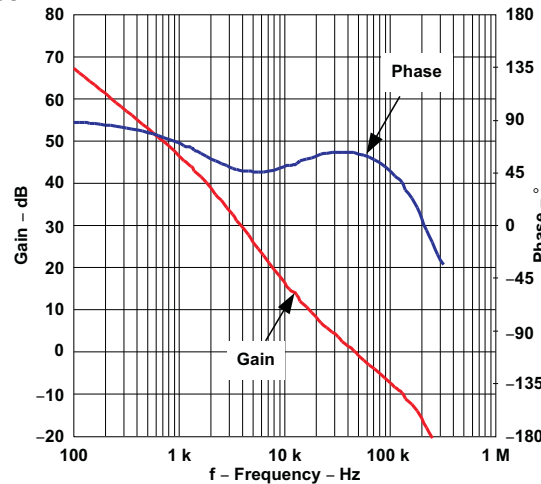


Figure 31. Gain and Phase vs Frequency. Example Loop Result

8.3.14 Bootstrap for the N-Channel MOSFET

A bootstrap circuit provides a voltage source higher than the input voltage and of sufficient energy to fully enhance the switching MOSFET each switching cycle. The PWM duty cycle is limited to a maximum of 90%, allowing an external bootstrap capacitor to charge through an internal synchronous switch (between BP and BOOTx) during every cycle. When the PWM switch is commanded to turn ON, the energy used to drive the MOSFET gate is derived from the voltage on this capacitor.

To allow the bootstrap capacitor to charge each switching cycle, an internal pulldown MOSFET (from SW to GND) is turned ON for approximately 140 ns at the beginning of each switching cycle. In this way, if, during light load operation, there is insufficient energy for the SW node to drive to ground naturally, this MOSFET forces the SW node toward ground and allow the bootstrap capacitor to charge.

Because this is a charge transfer circuit, care must be taken in selecting the value of the bootstrap capacitor. It must be sized such that the energy stored in the capacitor on a per cycle basis is greater than the gate charge requirement of the MOSFET being used.

DESIGN HINT

For the bootstrap capacitor, use a ceramic capacitor with a value between 22 nF and 82 nF.

NOTE

For 5-V input applications, connect PVDDx to BP directly. This connection bypasses the internal control circuit regulator and provides maximum voltage to the gate drive circuitry. In this configuration, shutdown mode $I_{DD_{SDN}}$ will be the same as quiescent I_{DD_Q} .

8.3.15 Light Load Operation

There is no special circuitry for pulse skipping at light loads. The normal characteristic of a nonsynchronous converter is to operate in the *discontinuous conduction mode* (DCM) at an average load current less than one-half of the inductor peak-to-peak ripple current. Note that the amplitude of the ripple current is a function of input voltage, output voltage, inductor value, and operating frequency, as shown in [Equation 14](#).

$$I_{DCM} = \frac{1}{2} \times \frac{V_{IN} - V_{OUT}}{L} \times \delta \times T_S \tag{14}$$

Further, during discontinuous mode operation the commanded pulse width may become narrower than the capability of the converter to resolve. To maintain the output voltage within regulation, skipping switching pulses at light load conditions is a natural by-product of that mode. This condition may occur if the output capacitor is charged to a value greater than the output regulation voltage, and there is insufficient load to discharge the capacitor. A by-product of pulse skipping is an increase in the peak-to-peak output ripple voltage.

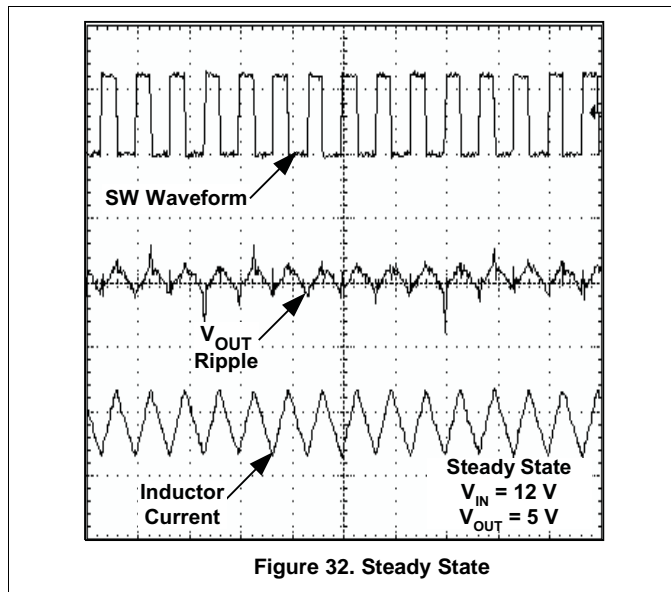


Figure 32. Steady State

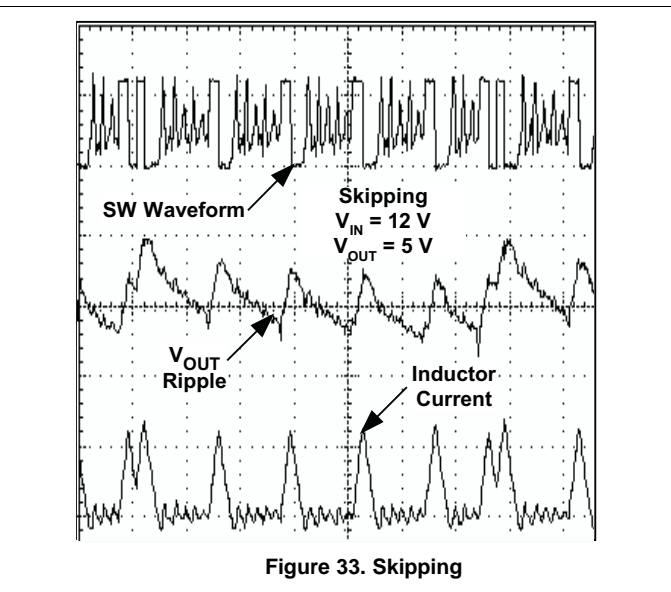


Figure 33. Skipping

DESIGN HINT

If additional output capacitance is required to reduce the output voltage ripple during DCM operation, be sure to recheck [Feedback Loop and Inductor-Capacitor \(L-C\) Filter Selection](#) and [Maximum Output Capacitance](#) sections.

8.3.16 SW Node Ringing

A portion of the control circuitry is referenced to the SW node. To ensure jitter-free operation, it is necessary to decrease the voltage waveform ringing at the SW node to less than 5 volts peak and of a duration of less than 30-ns. In addition to following good printed circuit board (PCB) layout practices, there are a couple of design techniques for reducing ringing and noise.

8.3.16.1 SW Node Snubber

Voltage ringing observable at the SW node is caused by fast switching edges and parasitic inductance and capacitance. If the ringing results in excessive voltage on the SW node, or erratic operation of the converter, an R-C snubber may be used to dampen the ringing and ensure proper operation over the full load range.

DESIGN HINT

A series-connected R-C snubber (C = between 330 pF and 1 nF, R = 10 Ω) connected from SW to GND reduces the ringing on the SW node.

8.3.16.2 Bootstrap Resistor

A small resistor in series with the bootstrap capacitor reduces the turn-on time of the internal MOSFET, thereby reducing the rising edge ringing of the SW node.

DESIGN HINT

A resistor with a value between 1Ω and 3Ω may be placed in series with the bootstrap capacitor to reduce ringing on the SW node.

DESIGN HINT

Placeholders for these components should be placed on the initial prototype PCBs in case they are needed.

8.3.17 Output Overload Protection

In the event of an overcurrent during soft-start on either output (such as starting into an output short), pulse-by-pulse current limiting and PWM frequency division are in effect for that output until the internal soft-start timer ends. At the end of the soft-start time, a UV condition is declared and a fault is declared. During this fault condition, both PWM outputs are disabled and the small pulldown MOSFETs (from SWx to GND) are turned ON. This process ensures that both outputs discharge to GND in the event that overcurrent is on one output while the other is not loaded. The converter then enters a *hiccup* mode timeout before attempting to restart. "Frequency Division" means if an overcurrent pulse is detected, six clock cycles are skipped before a next PWM pulse is initiated, effectively dividing the operating frequency by six and preventing excessive current build up in the inductor.

In the event of an overcurrent on either output after the output reaches regulation, pulse-by-pulse current limit is in effect for that output. In addition, an output undervoltage (UV) comparator monitors the FBx voltage (that follows the output voltage) to declare a fault if the output drops below 85% of regulation. During this fault condition, both PWM outputs are disabled and the small pulldown MOSFETs (from SWx to GND) are turned ON. This design ensures that both outputs discharge to GND, in the event that overcurrent is on one output while the other is not loaded. The converter then enters a *hiccup* mode timeout before attempting to restart.

The overcurrent threshold for Output 1 is set nominally at 4.5 A. The overcurrent level of Output 2 is determined by the state of the ILIM2 pin. The ILIM setting of Output 2 is not latched in place and may be changed during operation of the converter.

Table 2. Current Limit Threshold Adjustment for Output 2

| ILIM2 Connection | OCP Threshold for Output 2 |
|------------------|----------------------------|
| BP | 4.5 A nominal setting |
| (floating) | 3.0 A nominal setting |
| GND | 1.5 A nominal setting |

DESIGN HINT

The OCP threshold refers to the peak current in the internal switch. Be sure to add one-half of the peak inductor ripple current to the dc load current in determining how close the actual operating point is to the OCP threshold

8.3.18 Operating Near Maximum Duty Cycle

If the TPS5438x operates at maximum duty cycle, and if the input voltage is insufficient to support the output voltage (at full load or during a load current transient), then there is a possibility that the output voltage will fall from regulation and trip the output UV comparator. If this should occur, the TPS5438x protection circuitry will declare a fault and enter a shut down-and-restart cycle.

DESIGN HINT

Ensure that under ALL conditions of line and load regulation, there is sufficient duty cycle to maintain output voltage regulation.

To calculate the operating duty cycle, use [Equation 15](#).

$$\delta = \frac{V_{OUT} + V_{DIODE}}{V_{IN} + V_{DIODE}}$$

where

- V_{DIODE} is the voltage drop of the rectifier diode (15)

8.3.19 Dual Supply Operation

It is possible to operate a TPS5438x from two supply voltages. If this application is desired, then the sequencing of the supplies must be such that PVDD2 is above the UVLO voltage before PVDD1 begins to rise. This level requirement ensures that the internal regulator and the control circuitry are in operation before PVDD1 supplies energy to the output. In addition, Output 1 must be held in the disabled state ($\overline{EN1}$ high) until there is sufficient voltage on PVDD1 to support Output 1 in regulation. (See the [Operating Near Maximum Duty Cycle](#) section.)

The preferred sequence of events is:

1. PVDD2 rises above the input UVLO voltage
2. PVDD1 rises with Output 1 disabled until PVDD1 rises above level to support Output 1 regulation.

With these two conditions satisfied, there is no restriction on PVDD2 to be greater than, or less than PVDD1.

DESIGN HINT

An R-C delay on $\overline{EN1}$ may be used to delay the startup of Output1 for a long enough period of time to ensure that PVDD1 can support Output 1 load.

8.3.20 Cascading Supply Operation

It is possible to source PVDD1 from Output 2 as depicted in [Figure 34](#) and [Figure 35](#). This configuration may be preferred if the input voltage is high, relative to the voltage on Output 1.

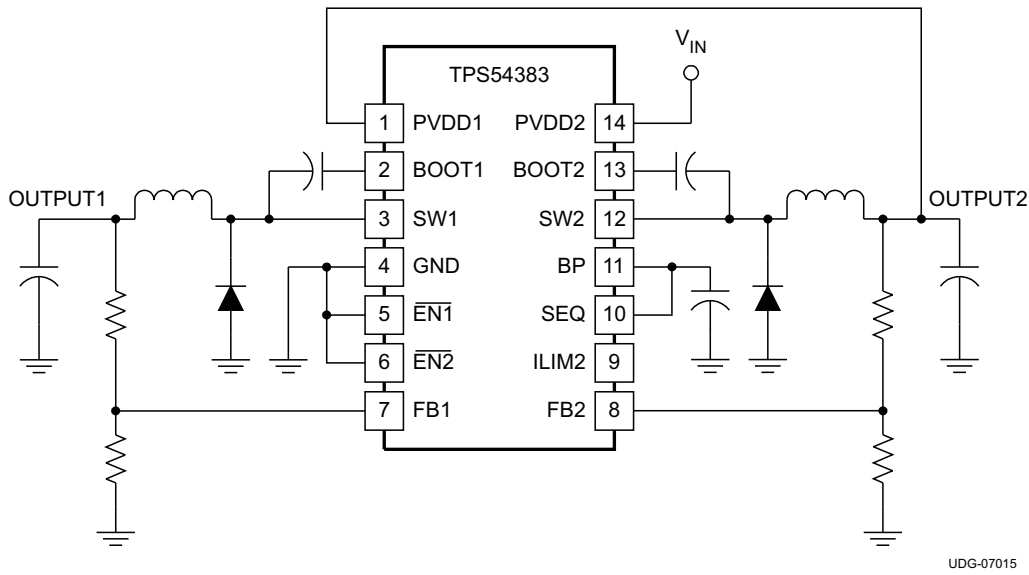


Figure 34. Schematic Showing Cascading PVDD1 from Output 2

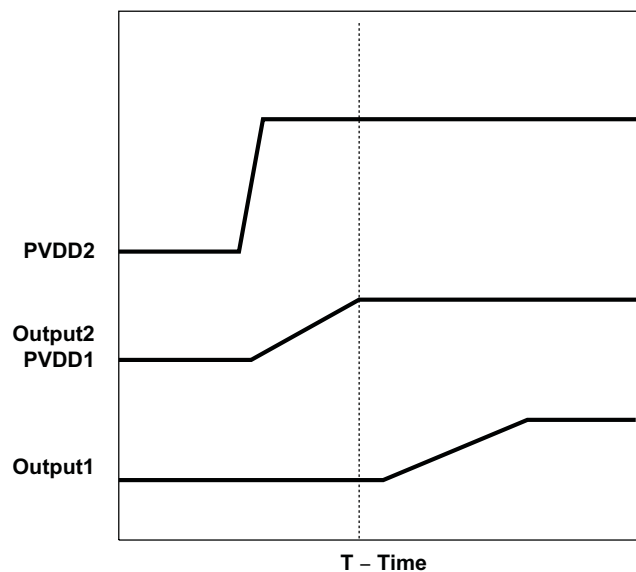


Figure 35. Waveforms Resulting from Cascading PVDD1 from Output 2

In this configuration, the following conditions must be maintained:

1. Output 2 must be of a voltage high enough to maintain regulation of Output 1 under all load conditions.
2. The sum of the current drawn by Output 2 load plus the current into PVDD1 must be less than the overload protection current level of Output 2.
3. The method of output sequencing must be such that the voltage on Output 2 is sufficient to support Output 1 before Output 1 is enabled. This requirement may be accomplished by:
 - (a) a delay of the enable function
 - (b) selecting sequential sequencing of Output 1 starting after Output 2 is in regulation

8.3.21 Multiphase Operation

The TPS5438x is not designed to operate as a two-channel multiphase converter. See <http://www.power.ti.com> for appropriate device selection.

8.3.22 Bypass and Filtering

As with any integrated circuit, supply bypassing is important for jitter-free operation. To improve the noise immunity of the converter, ceramic bypass capacitors must be placed as close to the package as possible.

1. PVDD1 to GND: Use a 10- μ F ceramic capacitor
2. PVDD2 to GND: Use a 10- μ F ceramic capacitor
3. BP to GND: Use a 4.7- μ F to 10- μ F ceramic capacitor

8.3.23 Overtemperature Protection and Junction Temperature Rise

The overtemperature thermal protection limits the maximum power to be dissipated at a given operating ambient temperature. In other words, at a given device power dissipation, the maximum ambient operating temperature is limited by the maximum allowable junction operating temperature. The device junction temperature is a function of power dissipation, and the thermal impedance from the junction to the ambient. If the internal die temperature should reach the thermal shutdown level, the TPS5438x shuts off both PWMs and remains in this state until the die temperature drops below the hysteresis value, at which time the device restarts.

The first step to determine the device junction temperature is to calculate the power dissipation. The power dissipation is dominated by the two switching MOSFETs and the BP internal regulator. The power dissipated by each MOSFET is composed of conduction losses and output (switching) losses incurred while driving the external rectifier diode. To find the conduction loss, first find the RMS current through the upper switch MOSFET.

$$I_{\text{RMS(outputx)}} = \sqrt{D \times \left(I_{\text{OUTPUTx}}^2 + \left(\frac{\Delta I_{\text{OUTPUTx}}}{12} \right)^2 \right)}$$

where

- D is the duty cycle
 - I_{OUTPUTx} is the dc output current
 - $\Delta I_{\text{OUTPUTx}}$ is the peak ripple current in the inductor for Outputx
- (16)

Notice the impact of the operating duty cycle on the result.

Multiplying the result by the $R_{\text{DS(on)}}$ of the MOSFET gives the conduction loss.

$$P_{\text{D(cond)}} = I_{\text{RMS(outputx)}}^2 \times R_{\text{DS(on)}} \quad (17)$$

The switching loss is approximated by:

$$P_{\text{D(SW)}} = \left[\frac{(V_{\text{IN}})^2 \times C_{\text{J}} \times f_{\text{S}}}{2} \right]$$

where

- where C_{J} is the parallel capacitance of the rectifier diode and snubber (if any)
 - f_{S} is the switching frequency
- (18)

The total power dissipation is found by summing the power loss for both MOSFETs plus the loss in the internal regulator.

$$P_{\text{D}} = P_{\text{D(cond)output1}} + P_{\text{D(SW)output1}} + P_{\text{D(cond)output2}} + P_{\text{D(SW)output2}} + V_{\text{IN}} \times I_{\text{Q}} \quad (19)$$

The temperature rise of the device junction depends on the thermal impedance from junction to the mounting pad (See the [Thermal Information](#) table for performance on the standard test board), plus the thermal impedance from the thermal pad to ambient. The thermal impedance from the thermal pad to ambient depends on the PCB layout (PowerPAD interface to the PCB, the exposed pad area) and airflow (if any). See the [Layout Guidelines](#) section.

The operating junction temperature is shown in [Equation 20](#).

$$T_{\text{J}} = T_{\text{A}} + P_{\text{D}} \times (\theta_{\text{TH(pkg)}} + \theta_{\text{TH(pad-amb)}}) \quad (20)$$

8.3.24 Power Derating

The TPS5438x delivers full current at ambient temperatures up to +85°C if the thermal impedance from the thermal pad maintains the junction temperature below the thermal shutdown level. At higher ambient temperatures, the device power dissipation must be reduced to maintain the junction temperature at or below the thermal shutdown level. Figure 36 illustrates the power derating for elevated ambient temperature under various airflow conditions. Note that these curves assume that the PowerPAD is properly soldered to the recommended thermal pad. (See the [Related Documentation](#) section for further information.)

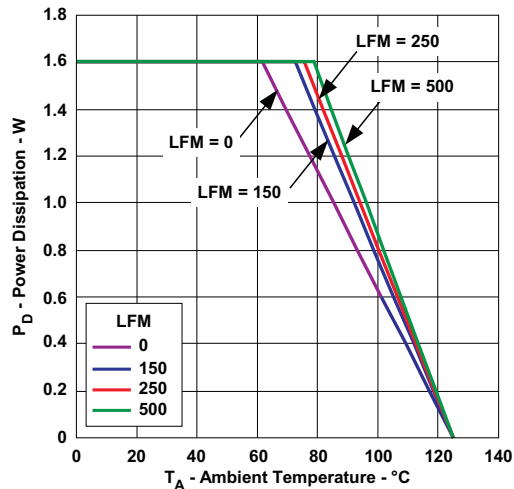


Figure 36. Power Dissipation vs Ambient Temperature. Power Derating Curves

8.4 Device Functional Modes

8.4.1 Minimum Input Voltage

The TPS5438x is recommended to operate with input voltages above 4.5 V. The typical UVLO threshold is 4.1 V at PVDD2 and the device may operate at PVDD2 voltages down to the UVLO voltage. PVDD2 is used for input voltage UVLO protection because it is the power supply for the BP regulator. The device will operate with PVDD1 voltages even lower as long as PVDD2 is above its UVLO threshold. With V_{PVDD2} below the UVLO voltage the device will not switch. If either ENx pins is pulled below 0.9 V, when V_{PVDD2} passes the UVLO threshold the BP regulator turns on and begins charging the BP capacitor. After V_{BP} is greater than 4 V, depending on the state of the SEQ pin, the channel corresponding to the low ENx pin will become active. When a channel becomes active switching is enabled and the soft-start sequence is initiated. The TPS5438x starts linearly ramping up an internal soft-start reference voltage of the active channel from 0 V to its final value over the internal soft-start time period. The designer should make sure the input voltage is sufficient to support the output voltage of the active channels.

8.4.2 ENx Control

The enable start threshold voltage is 1.2 V typical. With ENx held above the 1.2 V threshold voltage the corresponding channel of the TPS548x is disabled and switching is inhibited even if PVDD2 is above its UVLO threshold. The quiescent current is reduced in this state. When the first ENx pin voltage is decreased below the threshold while V_(PVDD2) is above the UVLO threshold the BP regulator turns on and begins charging the BP capacitor. After V_{BP} is greater than 4 V, depending on the state of the SEQ pin, the channel corresponding to the low ENx pin will become active. If the second ENx pin voltage is decreased below the threshold after V_{BP} is greater than 4 V, again depending on the state of the SEQ pin, the corresponding channel will become active immediately. When a channel becomes active switching is enabled and the slow-start sequence is initiated. The TPS548x starts linearly ramping up the internal soft-start reference voltage of the active channel from 0 V to its final value over the internal slow-start time period. If both channels are active the start-up sequence is determined by the state of the SEQ pin. The designer should make sure the input voltage is sufficient to support the output voltage of the active channels.

9 Applications and Implementation

NOTE

Information in the following applications sections is not part of the TI component specification, and TI does not warrant its accuracy or completeness. TI's customers are responsible for determining suitability of components for their purposes. Customers should validate and test their design implementation to confirm system functionality.

9.1 Application Information

The TPS5438x is a dual 28-V, 3-A, step down regulator with an integrated high-side MOSFETs. This device is typically used to convert a higher DC voltage to a lower DC voltage with a maximum available output current of 3 A on each channel. Example applications are: High Density Point-of-Load Regulators for Set-top Box, Digital TV, Power for DSP and other Consumer Electronics.

9.2 Typical Applications

9.2.1 12-V to 5-V and 3.3-V Converter

The following example illustrates a design process and component selection for a 12-V to 5-V and 3.3-V dual non-synchronous buck regulator using the TPS54383 converter.

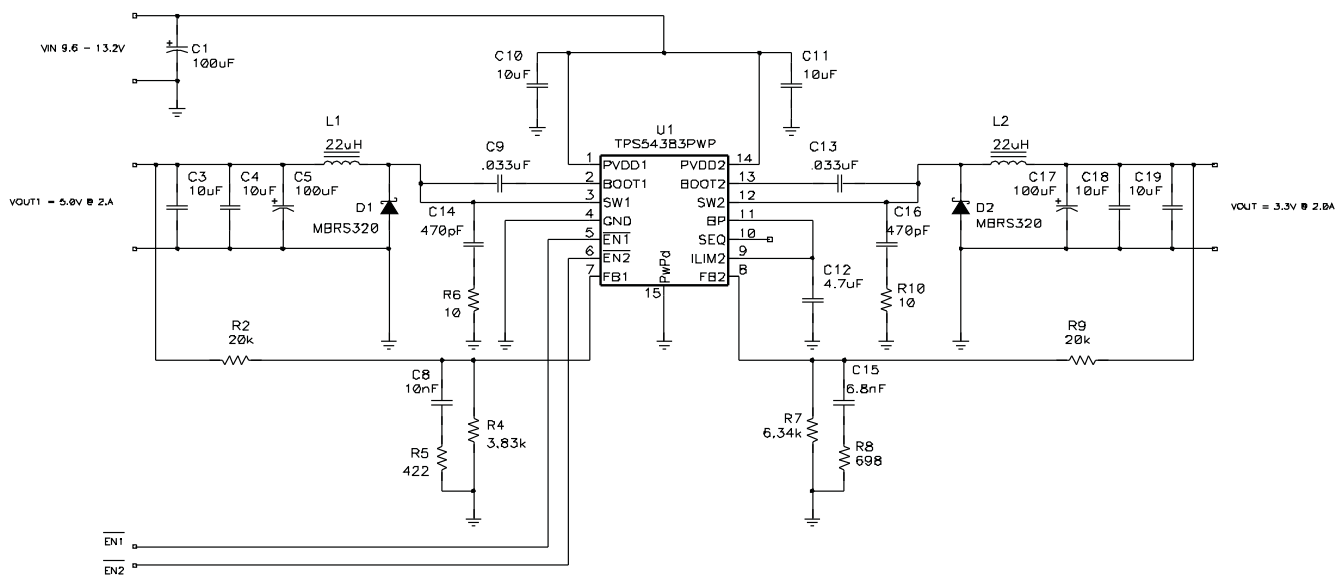


Figure 37. Design Example Schematic

9.2.1.1 Design Requirements

| PARAMETER | NOTES AND CONDITIONS | MIN | NOM | MAX | UNIT | | |
|-------------------------------|-----------------------|--|------|------|------|-----|---|
| INPUT CHARACTERISTICS | | | | | | | |
| V_{IN} | Input voltage | 6.9 | 12.0 | 13.2 | V | | |
| I_{IN} | Input current | $V_{IN} = \text{nom}, I_{OUT} = \text{max}$ | | 1.6 | A | | |
| | No load input current | $V_{IN} = \text{nom}, I_{OUT} = 0 \text{ A}$ | | 12 | mA | | |
| OUTPUT CHARACTERISTICS | | | | | | | |
| V_{OUT1} | Output voltage 1 | $V_{IN} = \text{nom}, I_{OUT} = \text{nom}$ | | 4.8 | 5.0 | 5.2 | V |
| V_{OUT2} | Output voltage 2 | $V_{IN} = \text{nom}, I_{OUT} = \text{nom}$ | | 3.2 | 3.3 | 3.4 | |
| | Line regulation | $V_{IN} = \text{min to max}$ | | | | 1% | |
| | Load regulation | $I_{OUT} = \text{min to max}$ | | | | 1% | |

Typical Applications (continued)

| PARAMETER | | NOTES AND CONDITIONS | MIN | NOM | MAX | UNIT |
|-------------------------------|--|--|-----|-----|-----|------------------|
| V _{OUT(ripple)} | Output voltage ripple | V _{IN} = nom, I _{OUT} = max | | | 50 | mV _{PP} |
| I _{OUT1} | Output current 1 | V _{IN} = min to max | 0 | | 2.0 | A |
| I _{OUT2} | Output current 2 | V _{IN} = min to max | 0 | | 2.0 | |
| I _{OC1} | Output overcurrent channel 1 | V _{IN} = nom, V _{OUT} = V _{OUT1} = 5% | 2.4 | 3 | 3.5 | |
| I _{OC2} | Output overcurrent channel 2 | V _{IN} = nom, V _{OUT} = V _{OUT2} = 5% | 2.4 | 3 | 3.5 | |
| | Transient response ΔV _{OUT} from load transient | ΔI _{OUT} = 1 A @ 3 A/μs | | 200 | | mV |
| | Transient response settling time | | | 1 | | ms |
| SYSTEM CHARACTERISTICS | | | | | | |
| f _{SW} | Switching frequency | | 250 | 310 | 370 | kHz |
| η | Full load efficiency | | | 85% | | |
| T _J | Operating temperature range | | 0 | 25 | 60 | °C |

Table 3. Design Example List of Materials

| QTY | REFERENCE DESIGNATOR | VALUE | DESCRIPTION | SIZE | PART NUMBER | MANUFACTURER |
|-----|----------------------|----------|---|---------------|----------------|--------------|
| 1 | C1 | 100 μF | Capacitor, Aluminum, 25V, 20% | E-can | EEEF1E101P | Panasonic |
| 2 | C10, C11 | 10 μF | Capacitor, Ceramic, 25V, X5R 20% | 1210 | C3216X5R1E106M | TDK |
| 1 | C12 | 4.7 μF | Capacitor, Ceramic, 10V, X5R 20% | 0805 | Std | Std |
| 2 | C14, C16 | 470 pF | Capacitor, Ceramic, 25V, X7R, 20% | 0603 | Std | Std |
| 1 | C15 | 6.8 nF | Capacitor, Ceramic, 25V, X7R, 20% | 0603 | Std | Std |
| 1 | C17, C5 | 100 μF | Capacitor, Aluminum, 10V, 20%, FC Series | F-can | EEEF1A101P | Panasonic |
| 4 | C3, C4, C18, C19 | 10 μF | Capacitor, Ceramic, 6.3V, X5R 20% | 0805 | C2012X5R0J106M | TDK |
| 1 | C8 | 10 nF | Capacitor, Ceramic, 25V, X7R, 20% | 0603 | Std | Std |
| 2 | C9, C13 | 0.033 μF | Capacitor, Ceramic, 25V, X7R, 20% | 0603 | Std | Std |
| 2 | D1, D2 | MBRS320 | Diode, Schottky, 3-A, 30-V | SMC | MBRS330T3 | On Semi |
| 2 | L1, L2 | 22 μH | Inductor, Power, 6.8A, 0.038 Ω | 0.484 x 0.484 | MSS1278-153ML | Coilcraft |
| 2 | R2, R9 | 20 kΩ | Resistor, Chip, 1/16W, 1% | 0603 | Std | Std |
| 1 | R5 | 422 Ω | Resistor, Chip, 1/16W, 1% | 0603 | Std | Std |
| 2 | R6, R10 | 10 Ω | Resistor, Chip, 1/16W, 5% | 0603 | Std | Std |
| 1 | R8 | 698 Ω | Resistor, Chip, 1/16W, 1% | 0603 | Std | Std |
| 1 | R4 | 3.83 kΩ | Resistor, Chip, 1/16W, 1% | 0603 | Std | Std |
| 1 | R7 | 6.34 kΩ | Resistor, Chip, 1/16W, 1% | 0603 | Std | Std |
| 1 | U1 | | TPS54383 DC-DC Switching Converter w/ FET | HTSSOP-14 | TPS54383PWP | TI |

9.2.1.2 Detailed Design Procedure

Use the following design procedure to select component values for the TPS5438x.

9.2.1.2.1 Duty Cycle Estimation

The first step is to estimate the duty cycle of each switching FET.

$$D_{\max} \approx \frac{V_{\text{OUT}} + V_{\text{FD}}}{V_{\text{IN}(\min)} + V_{\text{FD}}} \quad (21)$$

$$D_{\min} \approx \frac{V_{\text{OUT}} + V_{\text{FD}}}{V_{\text{IN(max)}} + V_{\text{FD}}} \quad (22)$$

Using an assumed forward drop of 0.5 V for a schottky rectifier diode, the Channel 1 duty cycle is approximately 40.1% (minimum) to 48.7% (maximum) while the Channel 2 duty cycle is approximately 27.7% (minimum) to 32.2% (maximum).

9.2.1.2.2 Inductor Selection

The peak-to-peak ripple is limited to 30% of the maximum output current. This places the peak current far enough from the minimum overcurrent trip level to ensure reliable operation.

For both Channel 1 and Channel 2, the maximum inductor ripple current is 600 mA. The inductor size is estimated in [Equation 23](#).

$$L_{\min} \approx \frac{V_{\text{IN(max)}} - V_{\text{OUT}}}{I_{\text{LRIP(max)}}} \times D_{\min} \times \frac{1}{f_{\text{SW}}} \quad (23)$$

The inductor values are

- L1 = 18.3 μH
- L2 = 15.3 μH

The next higher standard inductor value of 22 μH is used for both inductors.

The resulting ripple currents are :

$$I_{\text{RIPPLE}} \approx \frac{V_{\text{IN(max)}} - V_{\text{OUT}}}{L} \times D_{\min} \times \frac{1}{f_{\text{SW}}} \quad (24)$$

Peak-to-peak ripple currents of 0.498 A and 0.416 A are estimated for Channel 1 and Channel 2 respectively.

The RMS current through an inductor is approximated by [Equation 25](#).

$$I_{\text{L(rms)}} = \sqrt{(I_{\text{L(avg)}})^2 + \frac{1}{12}(I_{\text{RIPPLE}})^2} \quad (25)$$

and is approximately 2.0 A for both channels.

The peak inductor current is found using:

$$I_{\text{L(peak)}} \approx I_{\text{OUT(max)}} + \frac{1}{2} I_{\text{RIPPLE}} \quad (26)$$

An inductor with a minimum RMS current rating of 2.0 A and minimum saturation current rating of 2.25 A is required. A Coilcraft MSS1278-223ML 22- μH , 6.8-A inductor is selected.

9.2.1.2.3 Rectifier Diode Selection

A schottky diode is selected as a rectifier diode for its low forward voltage drop. Allowing 20% over V_{IN} for ringing on the switch node, the required minimum reverse break-down voltage of the rectifier diode is:

$$V_{\text{(BR)R(min)}} \geq 1.2 \times V_{\text{IN}} \quad (27)$$

The diode must have reverse breakdown voltage greater than 15.8 V, therefore a 20-V device is used.

The average current in the rectifier diode is estimated by [Equation 28](#).

$$I_{\text{D(avg)}} \approx I_{\text{OUT(max)}} \times (1 - D) \quad (28)$$

For this design, 1.2-A (average) and 2.25 A (peak) is estimated for Channel 1 and 1.5-A (average) and 2.21-A (peak) for Channel 2.

An MBR320, 20-V, 3-A diode in an SMC package is selected for both channels. This diode has a forward voltage drop of 0.4 V at 2 A.

The power dissipation in the diode is estimated by [Equation 29](#).

$$P_{D(max)} \approx V_{FM} \times I_{D(avg)} \quad (29)$$

For this design, the full load power dissipation is estimated to be 480 mW in D1, and 580 mW in D2.

9.2.1.2.4 Output Capacitor Selection

The TPS54383's internal compensation limits the selection of the output capacitors. From [Figure 25](#), the internal compensation has a double zero resonance at about 3 kHz. The output capacitor is selected by [Equation 30](#).

$$C_{OUT} = \frac{1}{4 \times \pi^2 \times (f_{RES})^2 \times L} \quad (30)$$

Solving for C_{OUT} using

- $f_{RES} = 3 \text{ kHz}$
- $L = 22 \text{ } \mu\text{H}$

The resulting is $C_{OUT} = 128 \text{ } \mu\text{F}$. The output ripple voltage of the converter is composed of the ripple voltage across the output capacitance and the ripple voltage across the ESR of the output capacitor. To find the maximum ESR allowable to meet the output ripple requirements the total ripple is partitioned, and the equation manipulated to find the ESR.

$$ESR_{(max)} = \frac{V_{RIPPLE(tot)} - V_{RIPPLE(cap)}}{I_{RIPPLE}} = \frac{V_{RIPPLE(tot)}}{I_{RIPPLE}} - \frac{D}{f_S \times C_{OUT}} \quad (31)$$

Based on 128 μF of capacitance, 300-kHz switching frequency and 50-mV ripple voltage plus rounding up the ripple current to 0.5 A, and the duty cycle to 50%, the capacitive portion of the ripple voltage is 6.5 mV, leaving a maximum allowable ESR of 87 m Ω .

To meet the ripple voltage requirements, a low-cost 100- μF electrolytic capacitor with 400 m Ω ESR (C5, C17) and two 10- μF ceramic capacitors (C3 and C4; and C18 and C19) with 2.5-m Ω ESR are selected. From the datasheets for the ceramic capacitors, the parallel combination provides an impedance of 28 m Ω @ 300 kHz for 14 mV of ripple.

9.2.1.2.5 Voltage Setting

The primary feedback divider resistors (R2, R9) from VOUT to FB should be between 10 k Ω and 50 k Ω to maintain a balance between power dissipation and noise sensitivity. For this design, 20 k Ω is selected.

The lower resistors, R4 and R7 are found using the following equations.

$$R4 = \frac{V_{FB} \times R2}{V_{OUT1} - V_{FB}} \quad (32)$$

$$R7 = \frac{V_{FB} \times R9}{V_{OUT2} - V_{FB}} \quad (33)$$

- $R2 = R9 = 20 \text{ k}\Omega$
- $V_{FB} = 0.80 \text{ V}$
- $R4 = 3.80 \text{ k}\Omega$ (3.83 k Ω standard value is used)
- $R7 = 6.40 \text{ k}\Omega$ (6.34 k Ω standard value is used)

9.2.1.2.6 Compensation Capacitors

Checking the ESR zero of the output capacitors:

$$f_{\text{ESR}(\text{zero})} = \frac{1}{2 \times \pi \times C \times \text{ESR}}$$

- C = 100 μF
- ESR = 400 m Ω
- ESR(zero) = 3980 Hz

(34)

Since the ESR zero of the main output capacitor is less than 20 kHz, an R-C filter is added in parallel with R4 and R7 to compensate for the electrolytic capacitors' ESR and add a zero approximately 40 kHz.

$$R5 = \frac{R4}{\left(\left(\frac{f_{\text{ZERO}(\text{desired})}}{f_{\text{ESR}(\text{zero})}} \right) - 1 \right)}$$

- $f_{\text{ESR}(\text{zero})} = 4 \text{ kHz}$
- $f_{\text{ESR}(\text{desired})} = 40 \text{ kHz}$
- R4 = 3.83 k Ω
- R5 = 424 Ω (422 Ω selected)
- R7 = 6.34 k Ω
- R8 = 702 Ω (698 Ω selected)

(35)

$$R_{\text{EQ}} = R5 + \frac{1}{\left(\left(\frac{1}{R2} \right) + \left(\frac{1}{R4} \right) \right)}$$

- R2 = R9 = 20 k Ω
- $R_{\text{EQ}1} = 3.63 \text{ k}\Omega$
- $R_{\text{EQ}2} = 5.51 \text{ k}\Omega$

(36)

$$C8 = \frac{1}{2 \times \pi \times R_{\text{EQ}} \times f_{\text{ESR}(\text{zero})}}$$

- C8 = 10.9 nF (10 nF selected)
- C15 = 7.22 nF (6800 pF selected)

(37)

9.2.1.2.7 Input Capacitor Selection

The TPS54383 datasheet recommends a minimum 10- μF ceramic input capacitor on each PVDD pin. These capacitor must be capable of handling the RMS ripple current of the converter. The RMS current in the input capacitors is estimated by [Equation 38](#).

$$I_{\text{RMS}(\text{outputx})} = \sqrt{D \times \left((I_{\text{OUTPUTx}})^2 + \left(\frac{(\Delta I_{\text{OUTPUTx}})^2}{12} \right) \right)}$$
(38)

- $I_{\text{RMS}(\text{CIN})} = 0.43 \text{ A}$

One 1210 10- μF , 25 V, X5R ceramic capacitor with 2-m Ω ESR and a 2-A RMS current rating are selected for each PVDD input. Higher voltage capacitors are selected to minimize capacitance loss at the DC bias voltage to ensure the capacitors maintain sufficient capacitance at the working voltage.

9.2.1.2.8 Boot Strap Capacitor

To ensure proper charging of the high-side FET gate and limit the ripple voltage on the boost capacitor, a 33-nF boot strap capacitor is used.

9.2.1.2.9 ILIM

Current limit must be set above the peak inductor current $I_{\text{L}(\text{peak})}$. Comparing $I_{\text{L}(\text{peak})}$ to the available minimum current limits, ILIM is connected to BP for the highest current limit level.

9.2.1.2.10 SEQ

The SEQ pin is left floating, leaving the enable pins to function independently. If the enable pins are tied together, the two supplies start-up ratiometrically. Alternatively, SEQ could be connected to BP or GND to provide sequential start-up.

9.2.1.2.11 Power Dissipation

The power dissipation in the TPS54383 is composed of FET conduction losses, switching losses and internal regulator losses. The RMS FET current is found using [Equation 39](#).

$$I_{\text{RMS}(\text{outputx})} = \sqrt{D \times \left(I_{\text{OUTPUTx}}^2 + \left(\frac{\Delta I_{\text{OUTPUTx}}}{12} \right)^2 \right)} \quad (39)$$

This results in 1.05-A RMS for Channel 1 and 0.87-A RMS for Channel 2.

Conduction losses are estimated by:

$$P_{\text{CON}} = R_{\text{DS(on)}} \times \left(I_{\text{QSW(rms)}} \right)^2 \quad (40)$$

Conduction losses of 198 mW and 136 mW are estimated for Channel 1 and Channel 2 respectively.

The switching losses are estimated in [Equation 41](#).

$$P_{\text{SW}} \approx \frac{\left(V_{\text{IN(max)}} \right)^2 \times (C_{\text{DJ}} + C_{\text{OSS}}) \times f_{\text{SW}}}{2} \quad (41)$$

From the data sheet of the MBRS320, the junction capacitance is 658 pF. Since this is large compared to the output capacitance of the TPS54x8x the FET capacitance is neglected, leaving switching losses of 17 mW for each channel.

The regulator losses are estimated in [Equation 42](#).

$$P_{\text{REG}} \approx I_{\text{DD}} \times V_{\text{IN(max)}} + I_{\text{BP}} \times \left(V_{\text{IN(max)}} - V_{\text{BP}} \right) \quad (42)$$

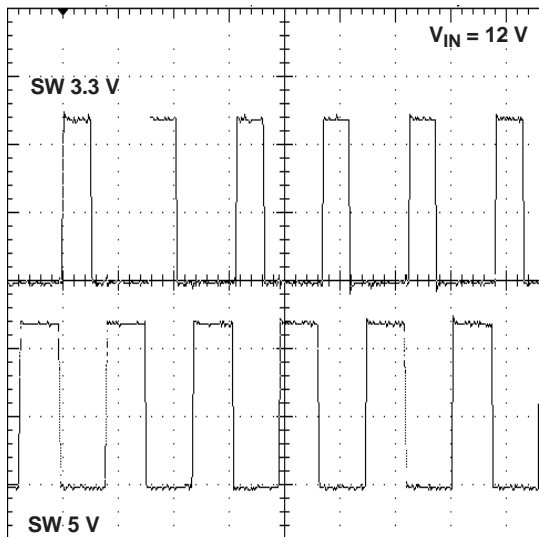
With no external load on BP ($I_{\text{BP}}=0$) the regulator power dissipation is 66 mW.

Total power dissipation in the device is the sum of conduction and switching for both channels plus regulator losses.

The total power dissipation is $P_{\text{DISS}}=0.198+0.136+0.017+0.017+.066 = 434 \text{ mW}$.

9.2.1.3 Application Curves

The following results are from the TPS54383-001 EVM.



t – Time – 40 ns/div
Figure 38. Switching Node Waveforms

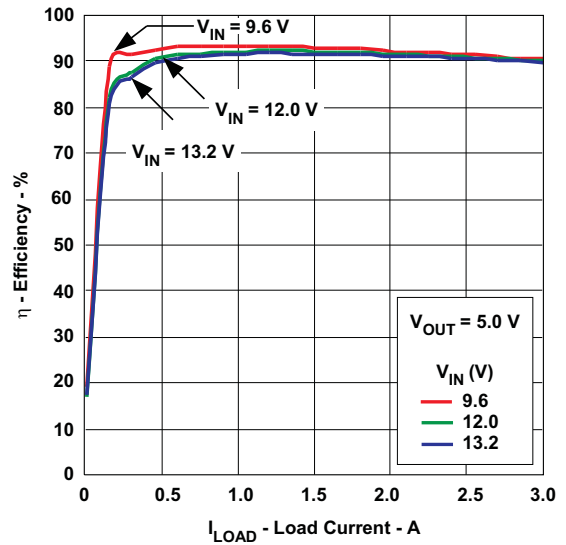


Figure 39. 5.0-V Output Efficiency vs. Load Current

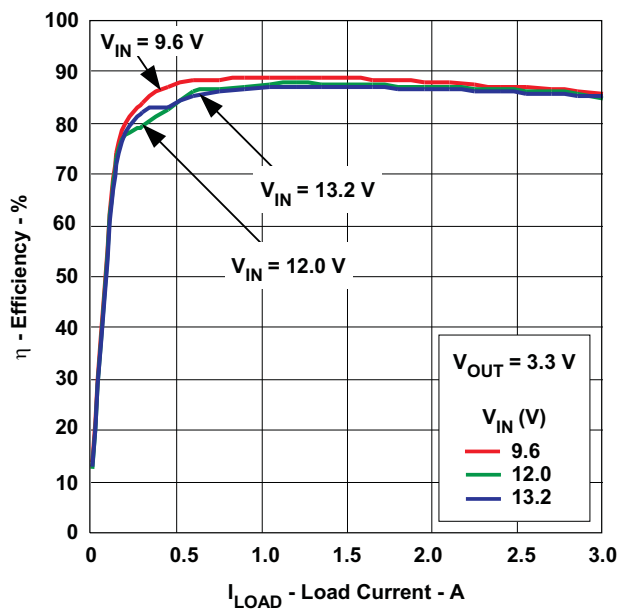


Figure 40. 3.3-V Output Efficiency vs. Load Current

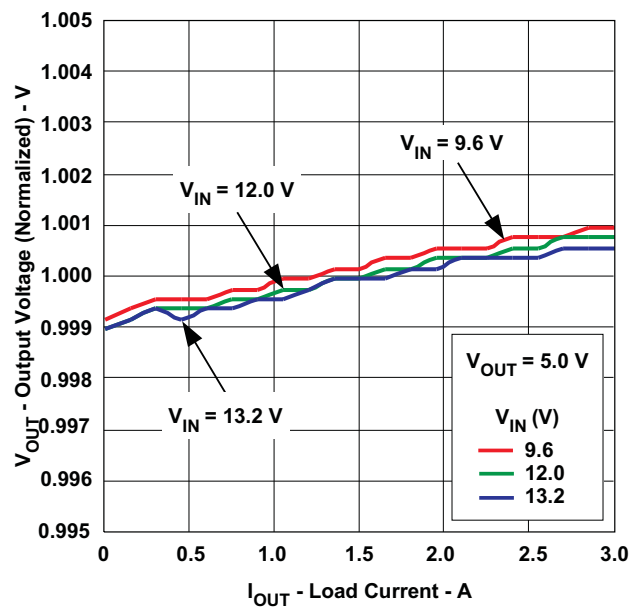
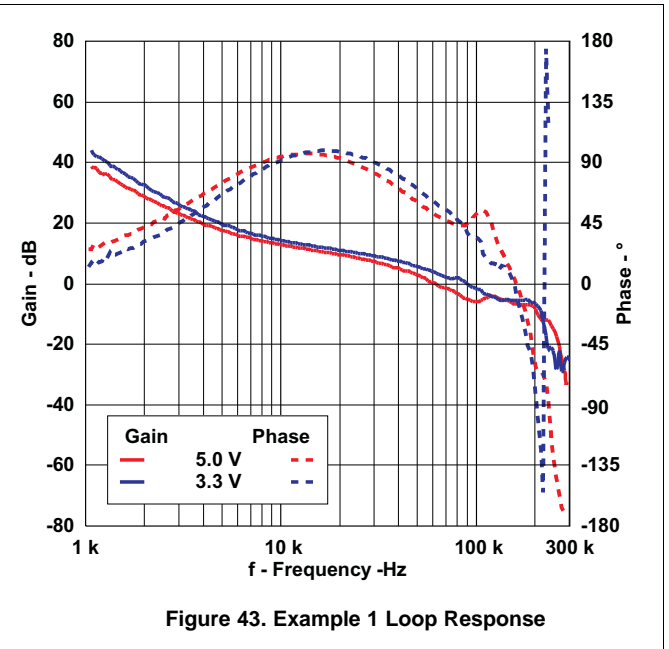
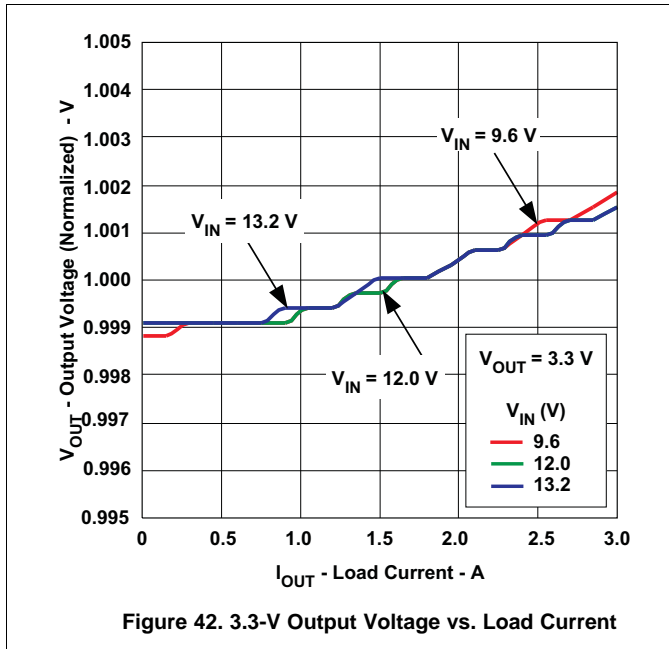


Figure 41. 5.0-V Output Voltage vs. Load Current



9.2.2 24-V to 12-V and 24-V to 5-V

For a higher input voltage, both a snubber and bootstrap resistors are added to reduce ringing on the switch node and a 30 V schottky diode is selected. A higher resistance feedback network is chosen for the 12 V output to reduce the feedback current.

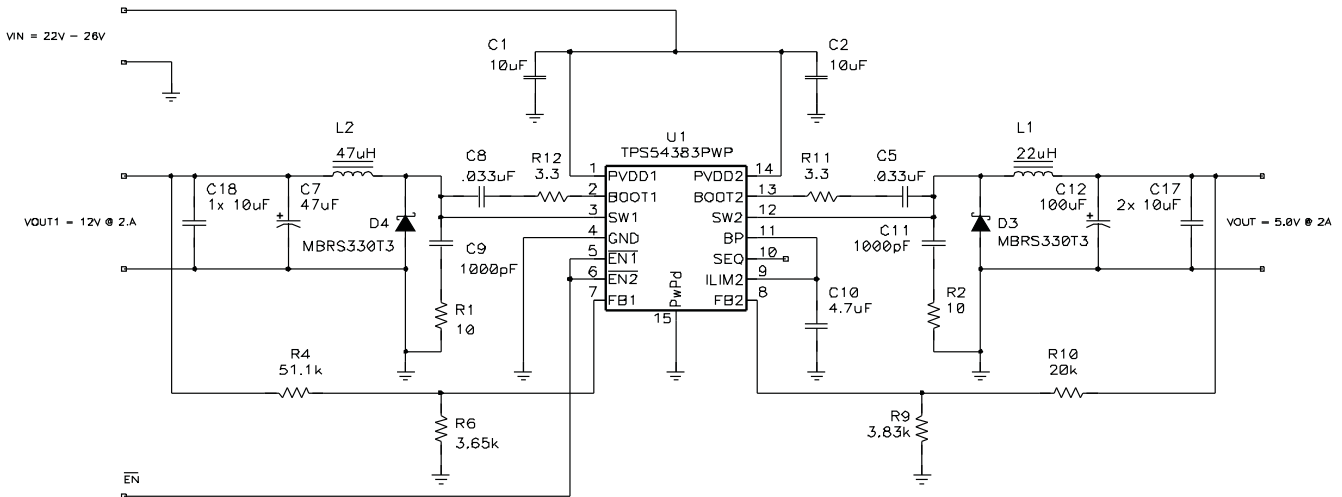


Figure 44. 24-V to 12-V and 24-V to 5-V Using the TPS54383

9.2.2.1 Design Requirements

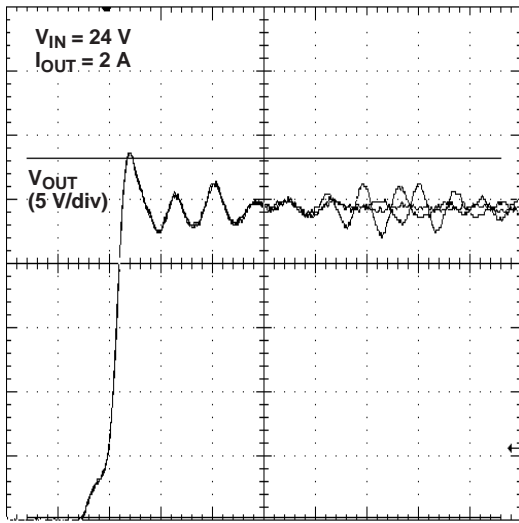
| PARAMETER | NOTES AND CONDITIONS | | MIN | NOM | MAX | UNIT |
|-------------------------------|----------------------|---|-----|------|-----|------|
| INPUT CHARACTERISTICS | | | | | | |
| V _{IN} | Input voltage | | 22 | 24 | 26 | V |
| OUTPUT CHARACTERISTICS | | | | | | |
| V _{OUT1} | Output voltage 1 | V _{IN} = nom, I _{OUT} = nom | | 12.0 | | V |
| V _{OUT2} | Output voltage 2 | V _{IN} = nom, I _{OUT} = nom | | 5.0 | | |

| PARAMETER | | NOTES AND CONDITIONS | MIN | NOM | MAX | UNIT |
|-------------------------------|---------------------|-----------------------|-----|-----|-----|------|
| I_{OUT1} | Output current 1 | V_{IN} = min to max | 0 | | 2.0 | A |
| I_{OUT2} | Output current 2 | V_{IN} = min to max | 0 | | 2.0 | |
| SYSTEM CHARACTERISTICS | | | | | | |
| f_{SW} | Switching frequency | | 250 | 310 | 370 | kHz |

9.2.2.2 Detailed Design Procedure

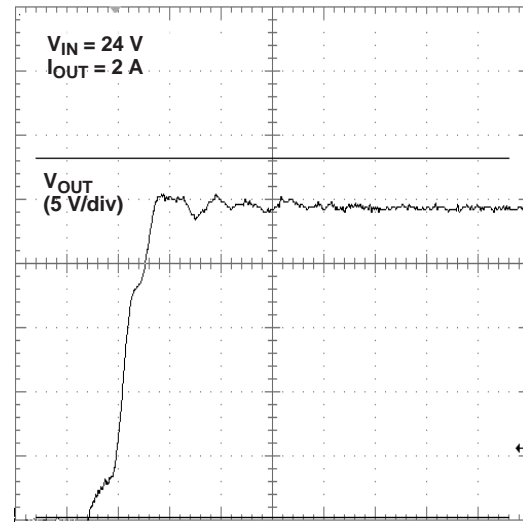
See the previous [Detailed Design Procedure](#).

9.2.2.3 Application Curves



T – Time – 10 ns / div

Figure 45. Switch Node Ringing Without Snubber and Boost Resistor



T – Time – 10 ns / div

Figure 46. Switch Node Ringing With Snubber and Boost Resistor

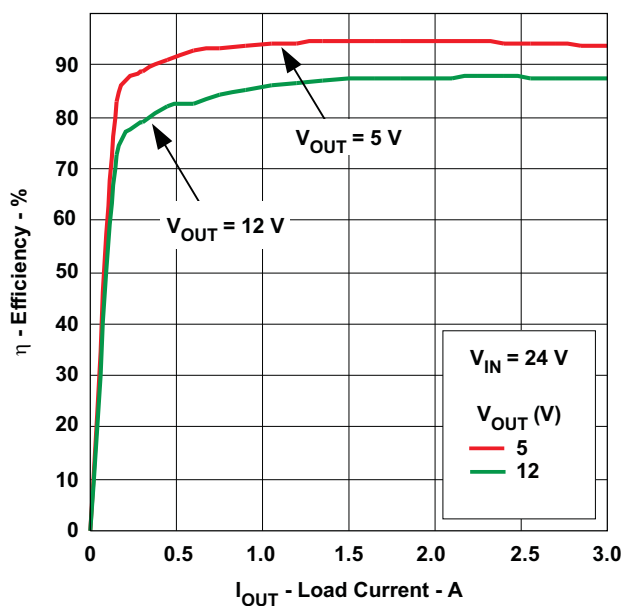


Figure 47. Efficiency vs. Load Current

9.2.3 5-V to 3.3V and 5-V to 1.2 V

For a low input voltage application, the TPS54386 is selected for reduced size and all ceramic output capacitors are used. 22- μ F input capacitors are selected to reduce input ripple and lead capacitors are placed in the feedback to boost phase margin.

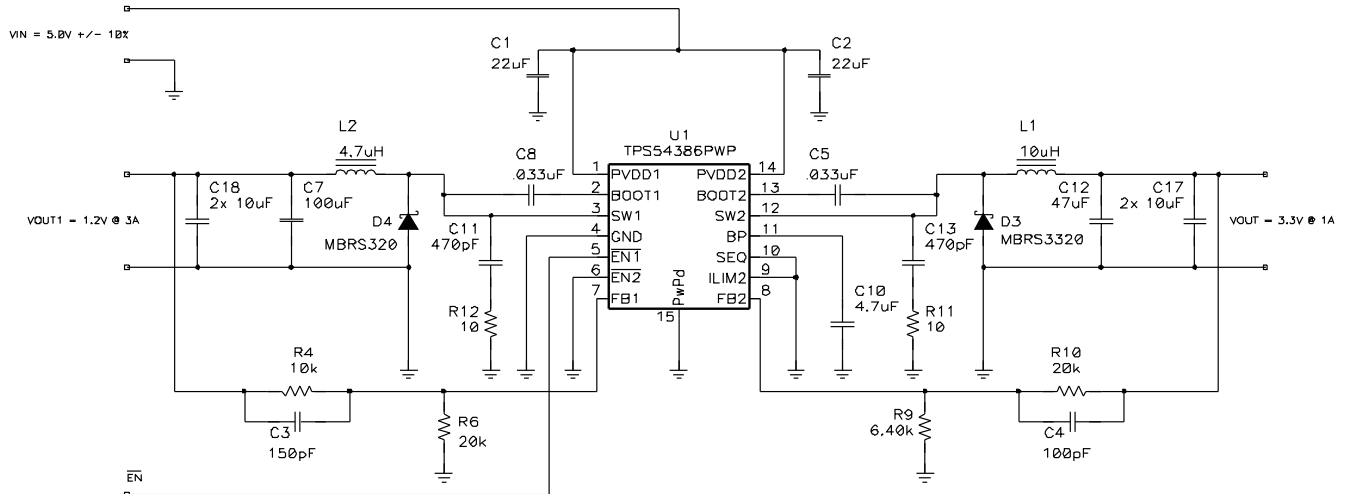


Figure 48. 5-V to 3.3V and 5-V to 1.2 V

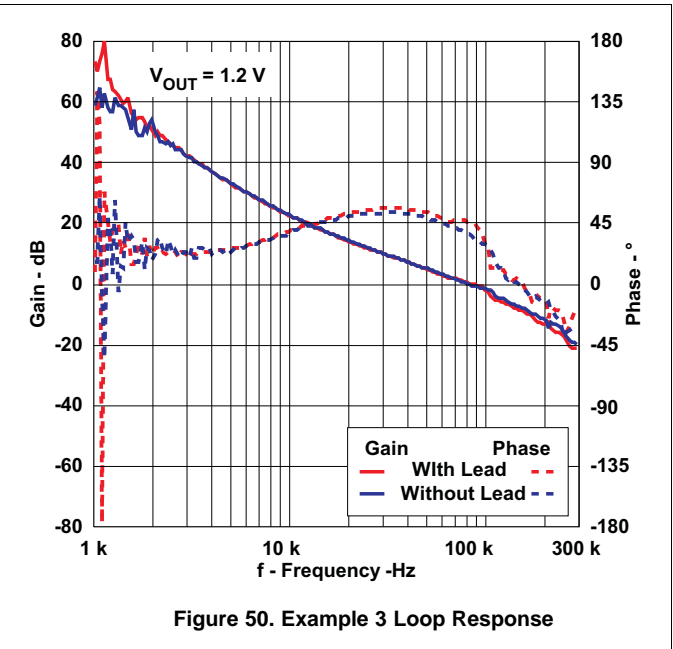
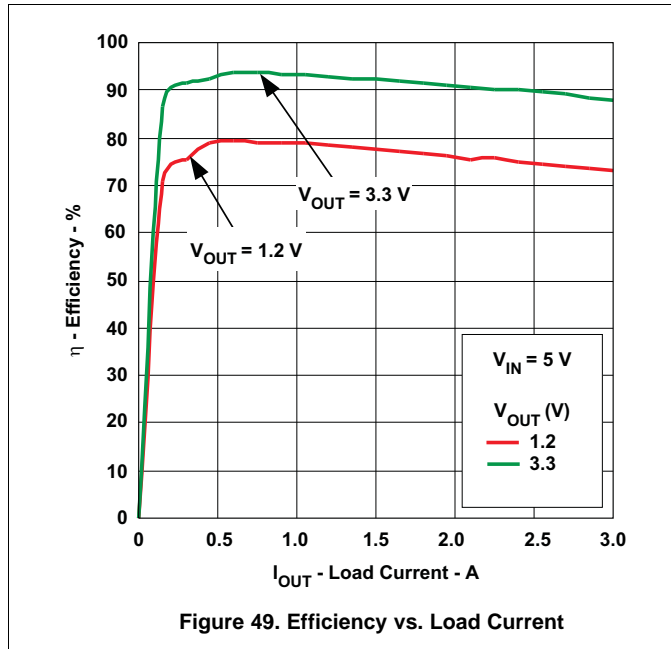
9.2.3.1 Design Requirements

| PARAMETER | NOTES AND CONDITIONS | MIN | NOM | MAX | UNIT |
|-------------------------------|----------------------|------|-----|------|------|
| INPUT CHARACTERISTICS | | | | | |
| V_{IN} | Input voltage | 4.75 | 5 | 5.25 | V |
| OUTPUT CHARACTERISTICS | | | | | |
| V_{OUT1} | Output voltage 1 | | 1.2 | | V |
| V_{OUT2} | Output voltage 2 | | 3.3 | | |
| I_{OUT1} | Output current 1 | | | 3 | A |
| I_{OUT2} | Output current 2 | | | 1 | |
| SYSTEM CHARACTERISTICS | | | | | |
| f_{SW} | Switching frequency | 510 | 630 | 750 | kHz |

9.2.3.2 Detailed Design Procedure

See the previous [Detailed Design Procedure](#) and [Using All Ceramic Output Capacitors](#).

9.2.3.3 Application Curves



10 Power Supply Recommendations

The TPS5438x is designed to operate from an input voltage supply range between 4.5 V and 28 V. This input supply should remain within the input voltage supply range. If the input supply is located more than a few inches from the TPS5438x converter bulk capacitance may be required in addition to the ceramic bypass capacitors. An electrolytic capacitor with a value of 100 μ F is a typical choice.

11 Layout

11.1 Layout Guidelines

The layout guidelines presented here are illustrated in the PCB layout examples given in [Figure 51](#) and [Figure 52](#).

- The PowerPAD must be connected to a low current (signal) ground plane having a large copper surface area to dissipate heat. Extend the copper surface well beyond the IC package area to maximize thermal transfer of heat away from the IC.
- Connect the GND pin to the PowerPAD through a 10-mil (.010 in, or 0.0254 mm) wide trace.
- Place the ceramic input capacitors close to PVDD1 and PVDD2; connect using short, wide traces.
- Maintain a tight loop of wide traces from SW1 or SW2 through the switch node, inductor, output capacitor and rectifier diode. Avoid using vias in this loop.
- Use a wide ground connection from the input capacitor to the rectifier diode, placed as close to the power path as possible. Placement directly under the diode and the switch node is recommended.
- Locate the bootstrap capacitor close to the BOOT pin to minimize the gate drive loop.
- Locate voltage setting resistors and any feedback components over the ground plane and away from the switch node and the rectifier diode to input capacitor ground connection.
- Locate snubber components (if used) close to the rectifier diode with minimal loop area.
- Locate the BP bypass capacitor very close to the IC; a minimal loop area is recommended.
- Locate the output ceramic capacitor close to the inductor output terminal between the inductor and any electrolytic capacitors, if used.

11.2 Layout Example

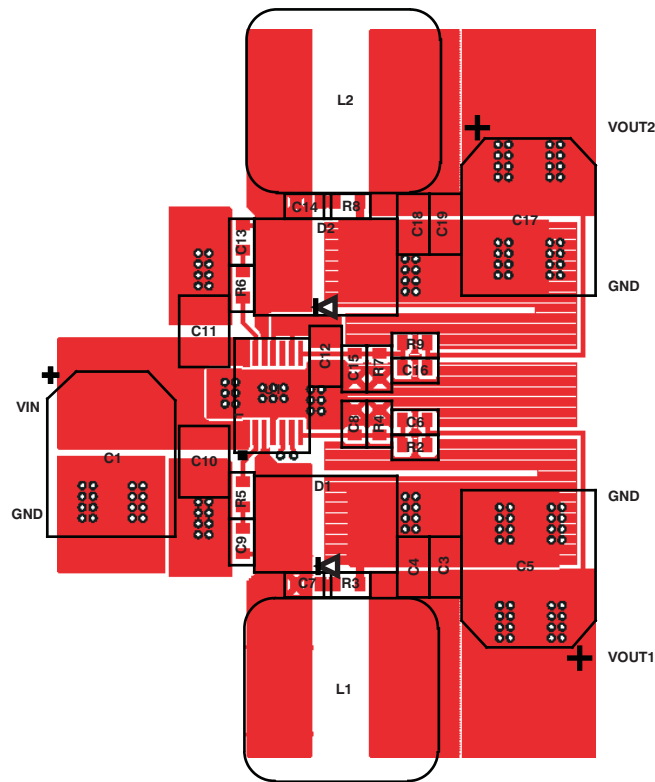


Figure 51. Top Layer Copper Layout and Component Placement

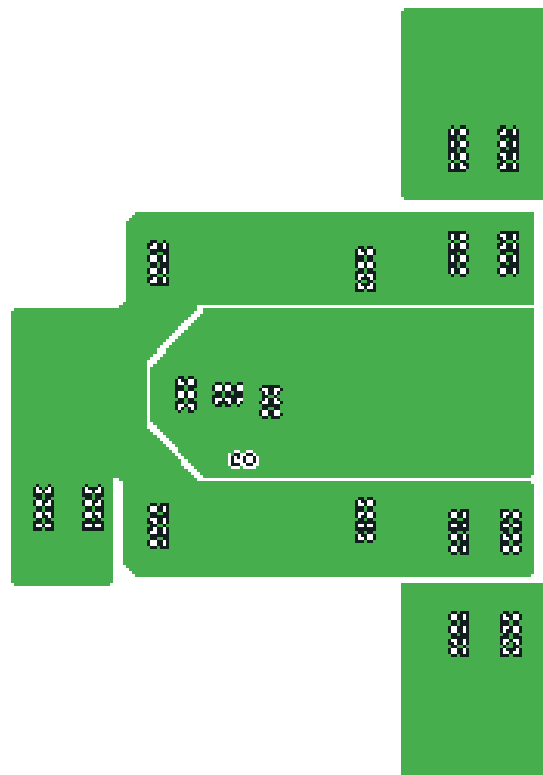


Figure 52. Bottom Layer Copper Layout

11.3 PowerPAD Package

The PowerPAD package provides low thermal impedance for heat removal from the device. The PowerPAD derives its name and low thermal impedance from the large bonding pad on the bottom of the device. The circuit board must have an area of solder-tinned-copper underneath the package. The dimensions of this area depend on the size of the PowerPAD package. Thermal vias connect this area to internal or external copper planes and should have a drill diameter sufficiently small so that the via hole is effectively plugged when the barrel of the via is plated with copper. This plug is needed to prevent wicking the solder away from the interface between the package body and the solder-tinned area under the device during solder reflow. Drill diameters of 0.33 mm (13 mils) work well when 1-oz. copper is plated at the surface of the board while simultaneously plating the barrel of the via. If the thermal vias are not plugged when the copper plating is performed, then a solder mask material should be used to cap the vias with a diameter equal to the via diameter of 0.1 mm minimum. This capping prevents the solder from being wicked through the thermal vias and potentially creating a solder void under the package. (See the [Related Documentation](#) section.)

12 Device and Documentation Support

12.1 Device Support

The following parts have characteristics similar to the TPS54383/6 and may be of interest.

Table 4. Devices Related to the TPS54383 and TPS54386

| TI LITERATURE NUMBER | DEVICE | DESCRIPTION |
|-------------------------|-------------------------------------|---|
| SLUS642 | TPS40222 | 5-V Input, 1.6-A Non-Synchronous Buck Converter |
| SLUS749 | TPS54283 / TPS54286 | 2-A Dual Non-Synchronous Converter with Integrated High-Side MOSFET |

12.1.1 Definition of Symbols

| | |
|-------------------|--|
| C_{DJ} | Average junction capacitance of the rectifier diode from 0V to $V_{IN(max)}$ |
| C_{OSS} | Average output capacitance of the switching MOSFET from 0V to $V_{IN(max)}$ |
| C_{OUT} | Output Capacitor |
| $D_{(max)}$ | Maximum steady state operating duty cycle |
| $D_{(min)}$ | Minimum steady state operating duty cycle |
| $ESR_{(max)}$ | Maximum allowable output capacitor ESR |
| f_{SW} | Switching frequency |
| I_{BP} | Output Current of BP regulator due to external loads |
| I_{DD} | Switching quiescent current with no load on BP |
| $I_{D(avg)}$ | Average diode conduction current |
| $I_{D(peak)}$ | Peak diode conduction current |
| $I_{IN(avg)}$ | Average input current |
| $I_{IN(rms)}$ | Root mean squared (RMS) input current |
| $I_{L(avg)}$ | Average inductor current |
| $I_{L(rms)}$ | Root mean squared (RMS) inductor current |
| $I_{L(peak)}$ | Peak current in inductor |
| $I_{LRIP(max)}$ | Maximum allowable inductor ripple current |
| $L_{(min)}$ | Minimum inductor value to maintain desired ripple current |
| $I_{OUT(max)}$ | Maximum designed output current |
| $I_{RMS(cin)}$ | Root mean squared (RMS) current through the input capacitor |
| I_{RIPPLE} | Inductor peak to peak ripple current |
| $I_{QSW(rms)}$ | Root mean squared current through the switching MOSFET |
| P_{CON} | Power loss due to conduction through switching MOSFET |
| $P_{D(max)}$ | Maximum power dissipation in diode |
| $R_{DS(on)}$ | Drain to source resistance of the switching MOSFET when "ON" |
| P_{SW} | Power loss due to switching |
| P_{REG} | Power loss due to the internal regulator |
| V_{BP} | Output Voltage of BP regulator |
| $V_{(BR)R(min)}$ | Minimum reverse breakdown voltage rating for rectifier diode |
| V_{FB} | Regulated feedback voltage |
| V_{FD} | Forward voltage drop across rectifier diode |
| V_{IN} | Power stage input voltage |
| V_{OUT} | Regulated output voltage |
| $V_{RIPPLE(cap)}$ | Peak-to-Peak ripple voltage due to ideal capacitor (ESR = 0M) |
| $V_{RIPPLE(tot)}$ | Maximum allowable peak-to-peak output ripple voltage |

12.2 Documentation Support

12.2.1 Related Documentation

These references, design tools and links to additional references, including design software, may be found at <http://www.power.ti.com>

- PowerPAD Thermally Enhanced Package Application Report, [SLMA002](#)
- PowerPAD™ Made Easy, [SLMA004](#)
- Under The Hood Of Low Voltage DC/DC Converters. SEM1500 Topic 5, 2002 Seminar Series, [SLUP206](#)
- Understanding Buck Power Stages in Switchmode Power Supplies, [SLVA057](#)
- Designing Stable Control Loops. SEM 1400, 2001 Seminar Series, [SLUP173](#)

12.3 Related Links

The table below lists quick access links. Categories include technical documents, support and community resources, tools and software, and quick access to sample or buy.

Table 5. Related Links

| PARTS | PRODUCT FOLDER | SAMPLE & BUY | TECHNICAL DOCUMENTS | TOOLS & SOFTWARE | SUPPORT & COMMUNITY |
|----------|----------------------------|----------------------------|----------------------------|----------------------------|----------------------------|
| TPS54383 | Click here | Click here | Click here | Click here | Click here |
| TPS54386 | Click here | Click here | Click here | Click here | Click here |

12.4 Trademarks

PowerPAD is a trademark of Texas Instruments.
All other trademarks are the property of their respective owners.

12.5 Electrostatic Discharge Caution



These devices have limited built-in ESD protection. The leads should be shorted together or the device placed in conductive foam during storage or handling to prevent electrostatic damage to the MOS gates.

12.6 Glossary

[SLYZ022](#) — *TI Glossary*.

This glossary lists and explains terms, acronyms, and definitions.

13 Mechanical, Packaging, and Orderable Information

The following pages include mechanical, packaging, and orderable information. This information is the most current data available for the designated devices. This data is subject to change without notice and revision of this document. For browser-based versions of this data sheet, refer to the left-hand navigation.

PACKAGING INFORMATION

| Orderable part number | Status (1) | Material type (2) | Package Pins | Package qty Carrier | RoHS (3) | Lead finish/ Ball material (4) | MSL rating/ Peak reflow (5) | Op temp (°C) | Part marking (6) |
|------------------------------|---------------|----------------------|-------------------|-----------------------|-------------|--------------------------------------|-----------------------------------|--------------|---------------------|
| TPS54383PWP | Active | Production | HTSSOP (PWP) 14 | 90 TUBE | Yes | NIPDAU | Level-2-260C-1 YEAR | -40 to 125 | 54383 |
| TPS54383PWP.B | Active | Production | HTSSOP (PWP) 14 | 90 TUBE | Yes | NIPDAU | Level-2-260C-1 YEAR | -40 to 125 | 54383 |
| TPS54383PWPR | Active | Production | HTSSOP (PWP) 14 | 2000 LARGE T&R | Yes | NIPDAU | Level-2-260C-1 YEAR | -40 to 125 | 54383 |
| TPS54383PWPR.B | Active | Production | HTSSOP (PWP) 14 | 2000 LARGE T&R | Yes | NIPDAU | Level-2-260C-1 YEAR | -40 to 125 | 54383 |
| TPS54386PWP | Active | Production | HTSSOP (PWP) 14 | 90 TUBE | Yes | NIPDAU | Level-2-260C-1 YEAR | -40 to 125 | 54386 |
| TPS54386PWP.B | Active | Production | HTSSOP (PWP) 14 | 90 TUBE | Yes | NIPDAU | Level-2-260C-1 YEAR | -40 to 125 | 54386 |
| TPS54386PWPG4 | Active | Production | HTSSOP (PWP) 14 | 90 TUBE | Yes | NIPDAU | Level-2-260C-1 YEAR | -40 to 125 | 54386 |
| TPS54386PWPR | Active | Production | HTSSOP (PWP) 14 | 2000 LARGE T&R | Yes | NIPDAU | Level-2-260C-1 YEAR | -40 to 125 | 54386 |
| TPS54386PWPR.B | Active | Production | HTSSOP (PWP) 14 | 2000 LARGE T&R | Yes | NIPDAU | Level-2-260C-1 YEAR | -40 to 125 | 54386 |
| TPS54386PWPRG4 | Active | Production | HTSSOP (PWP) 14 | 2000 LARGE T&R | Yes | NIPDAU | Level-2-260C-1 YEAR | -40 to 125 | 54386 |

(1) **Status:** For more details on status, see our [product life cycle](#).

(2) **Material type:** When designated, preproduction parts are prototypes/experimental devices, and are not yet approved or released for full production. Testing and final process, including without limitation quality assurance, reliability performance testing, and/or process qualification, may not yet be complete, and this item is subject to further changes or possible discontinuation. If available for ordering, purchases will be subject to an additional waiver at checkout, and are intended for early internal evaluation purposes only. These items are sold without warranties of any kind.

(3) **RoHS values:** Yes, No, RoHS Exempt. See the [TI RoHS Statement](#) for additional information and value definition.

(4) **Lead finish/Ball material:** Parts may have multiple material finish options. Finish options are separated by a vertical ruled line. Lead finish/Ball material values may wrap to two lines if the finish value exceeds the maximum column width.

(5) **MSL rating/Peak reflow:** The moisture sensitivity level ratings and peak solder (reflow) temperatures. In the event that a part has multiple moisture sensitivity ratings, only the lowest level per JEDEC standards is shown. Refer to the shipping label for the actual reflow temperature that will be used to mount the part to the printed circuit board.

(6) **Part marking:** There may be an additional marking, which relates to the logo, the lot trace code information, or the environmental category of the part.

Multiple part markings will be inside parentheses. Only one part marking contained in parentheses and separated by a "~" will appear on a part. If a line is indented then it is a continuation of the previous line and the two combined represent the entire part marking for that device.

Important Information and Disclaimer: The information provided on this page represents TI's knowledge and belief as of the date that it is provided. TI bases its knowledge and belief on information provided by third parties, and makes no representation or warranty as to the accuracy of such information. Efforts are underway to better integrate information from third parties. TI has taken and continues to take reasonable steps to provide representative

and accurate information but may not have conducted destructive testing or chemical analysis on incoming materials and chemicals. TI and TI suppliers consider certain information to be proprietary, and thus CAS numbers and other limited information may not be available for release.

In no event shall TI's liability arising out of such information exceed the total purchase price of the TI part(s) at issue in this document sold by TI to Customer on an annual basis.

OTHER QUALIFIED VERSIONS OF TPS54386 :

- Automotive : [TPS54386-Q1](#)

NOTE: Qualified Version Definitions:

- Automotive - Q100 devices qualified for high-reliability automotive applications targeting zero defects

TAPE AND REEL INFORMATION

QUADRANT ASSIGNMENTS FOR PIN 1 ORIENTATION IN TAPE


*All dimensions are nominal

| Device | Package Type | Package Drawing | Pins | SPQ | Reel Diameter (mm) | Reel Width W1 (mm) | A0 (mm) | B0 (mm) | K0 (mm) | P1 (mm) | W (mm) | Pin1 Quadrant |
|--------------|--------------|-----------------|------|------|--------------------|--------------------|---------|---------|---------|---------|--------|---------------|
| TPS54383PWPR | HTSSOP | PWP | 14 | 2000 | 330.0 | 12.4 | 6.9 | 5.6 | 1.6 | 8.0 | 12.0 | Q1 |
| TPS54386PWPR | HTSSOP | PWP | 14 | 2000 | 330.0 | 12.4 | 6.9 | 5.6 | 1.6 | 8.0 | 12.0 | Q1 |

TAPE AND REEL BOX DIMENSIONS


*All dimensions are nominal

| Device | Package Type | Package Drawing | Pins | SPQ | Length (mm) | Width (mm) | Height (mm) |
|--------------|--------------|-----------------|------|------|-------------|------------|-------------|
| TPS54383PWPR | HTSSOP | PWP | 14 | 2000 | 350.0 | 350.0 | 43.0 |
| TPS54386PWPR | HTSSOP | PWP | 14 | 2000 | 350.0 | 350.0 | 43.0 |

TUBE


*All dimensions are nominal

| Device | Package Name | Package Type | Pins | SPQ | L (mm) | W (mm) | T (μm) | B (mm) |
|---------------|--------------|--------------|------|-----|--------|--------|--------|--------|
| TPS54383PWP | PWP | HTSSOP | 14 | 90 | 530 | 10.2 | 3600 | 3.5 |
| TPS54383PWP.B | PWP | HTSSOP | 14 | 90 | 530 | 10.2 | 3600 | 3.5 |
| TPS54386PWP | PWP | HTSSOP | 14 | 90 | 530 | 10.2 | 3600 | 3.5 |
| TPS54386PWP.B | PWP | HTSSOP | 14 | 90 | 530 | 10.2 | 3600 | 3.5 |
| TPS54386PWPG4 | PWP | HTSSOP | 14 | 90 | 530 | 10.2 | 3600 | 3.5 |

GENERIC PACKAGE VIEW

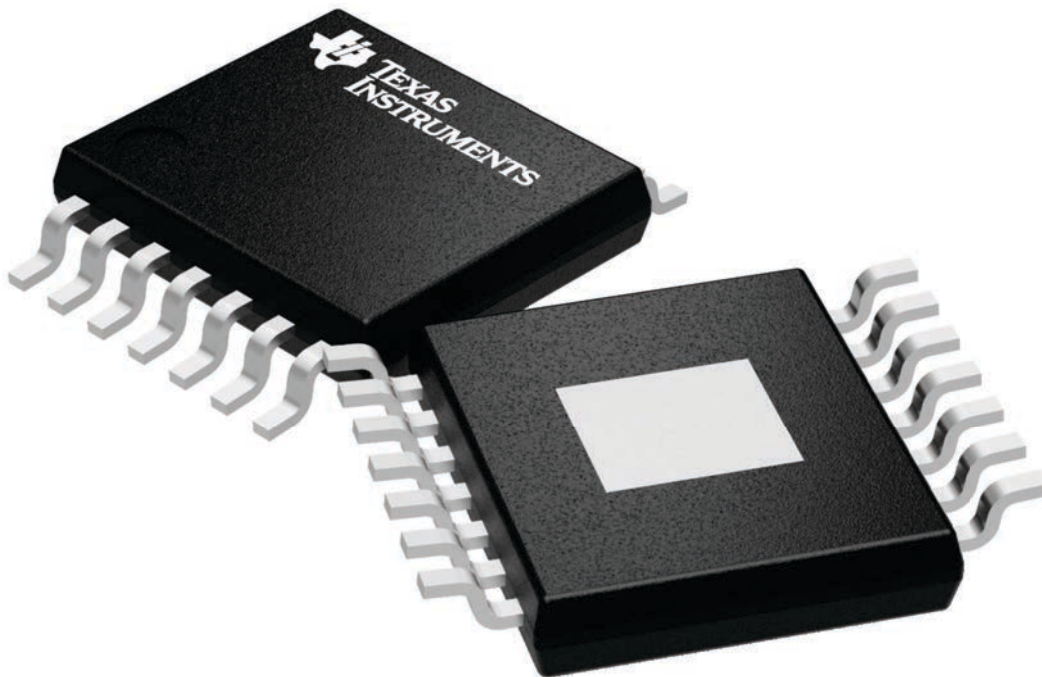
PWP 14

PowerPAD TSSOP - 1.2 mm max height

4.4 x 5.0, 0.65 mm pitch

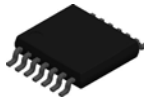
PLASTIC SMALL OUTLINE

This image is a representation of the package family, actual package may vary.
Refer to the product data sheet for package details.



4224995/A

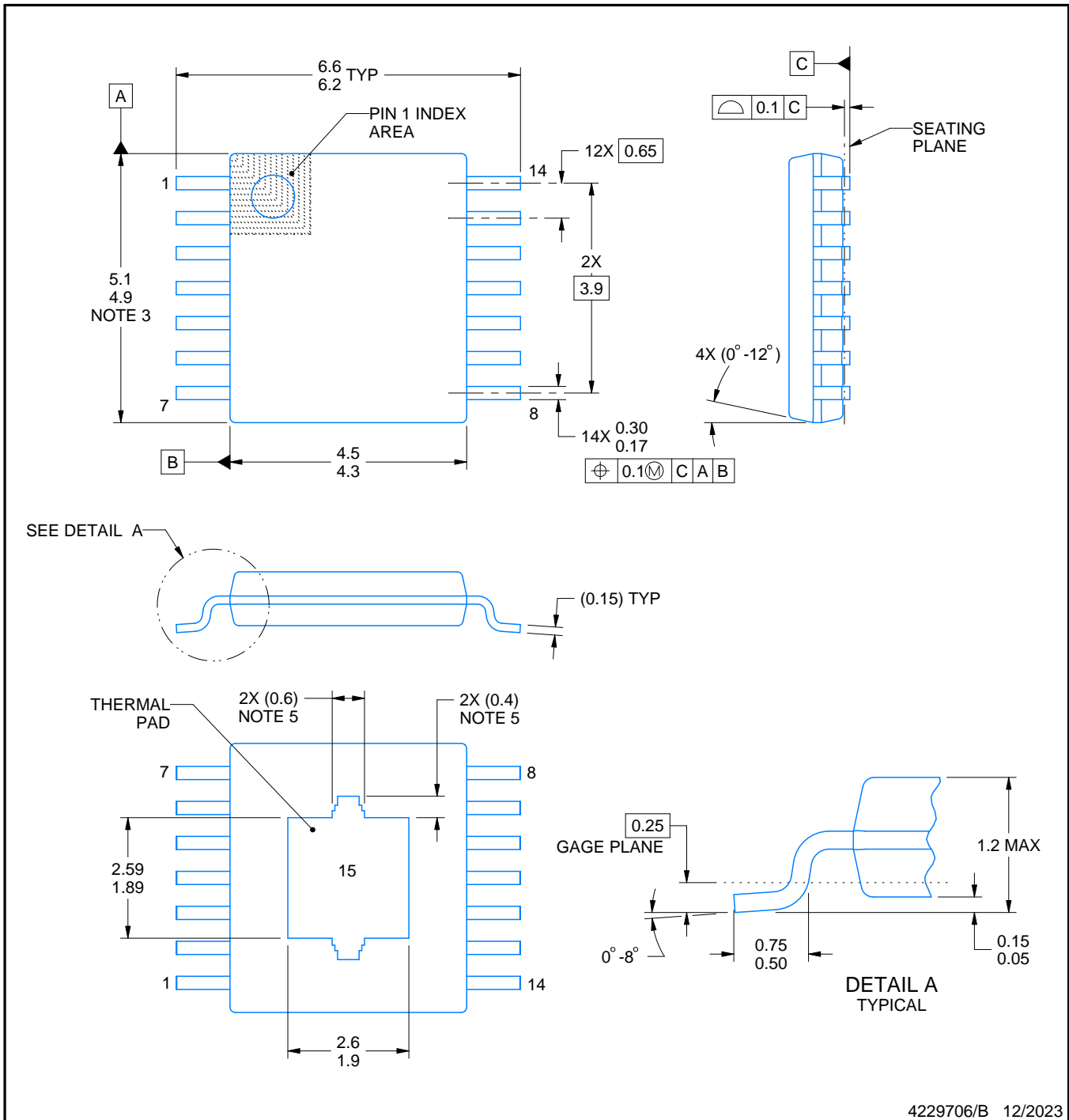
PWP0014K



PACKAGE OUTLINE

PowerPAD™ TSSOP - 1.2 mm max height

SMALL OUTLINE PACKAGE



4229706/B 12/2023

NOTES:

PowerPAD is a trademark of Texas Instruments.

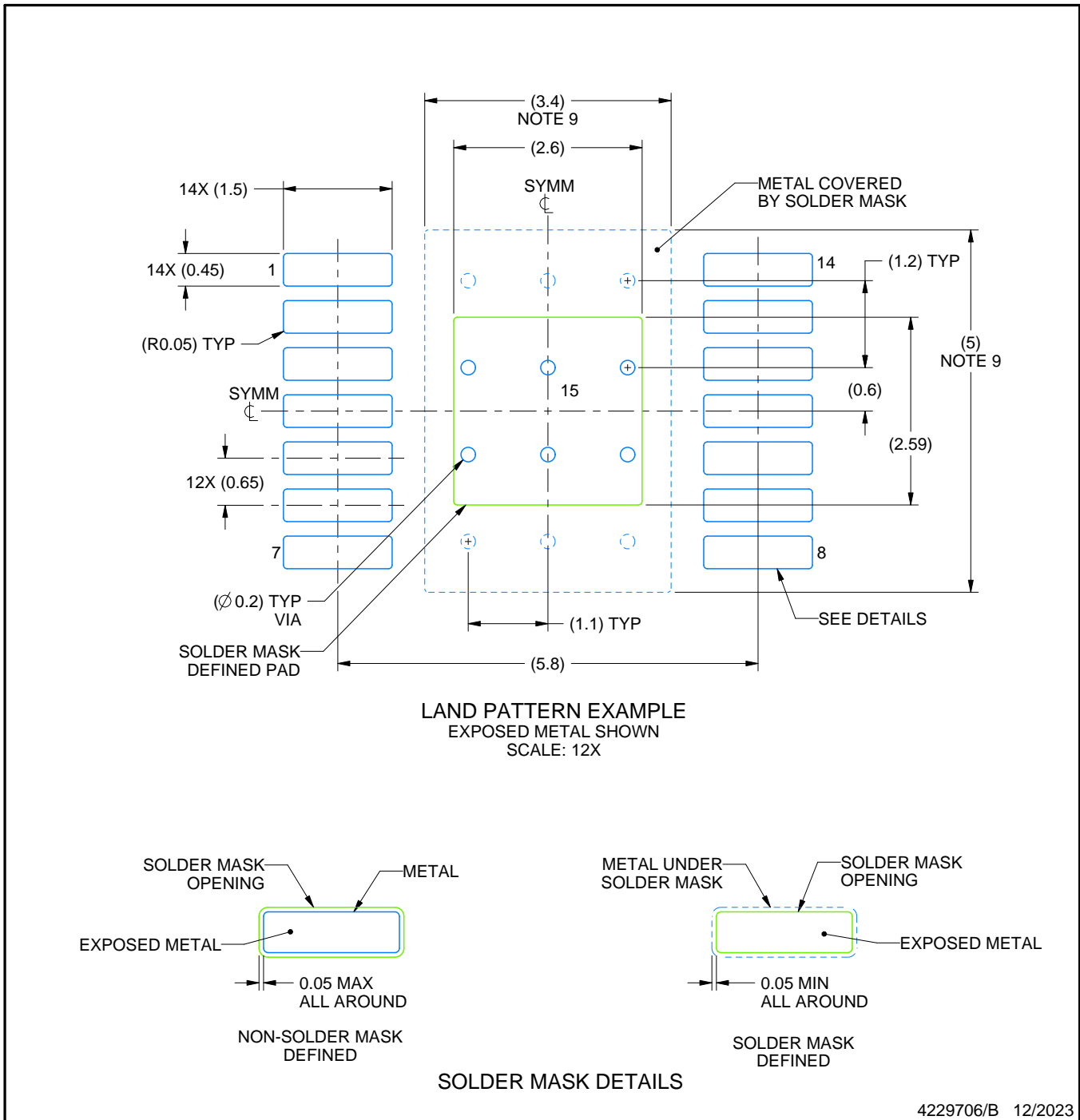
1. All linear dimensions are in millimeters. Any dimensions in parenthesis are for reference only. Dimensioning and tolerancing per ASME Y14.5M.
2. This drawing is subject to change without notice.
3. This dimension does not include mold flash, protrusions, or gate burrs. Mold flash, protrusions, or gate burrs shall not exceed 0.15 mm per side.
4. Reference JEDEC registration MO-153.
5. Features may differ or may not be present.

EXAMPLE BOARD LAYOUT

PWP0014K

PowerPAD™ TSSOP - 1.2 mm max height

SMALL OUTLINE PACKAGE



NOTES: (continued)

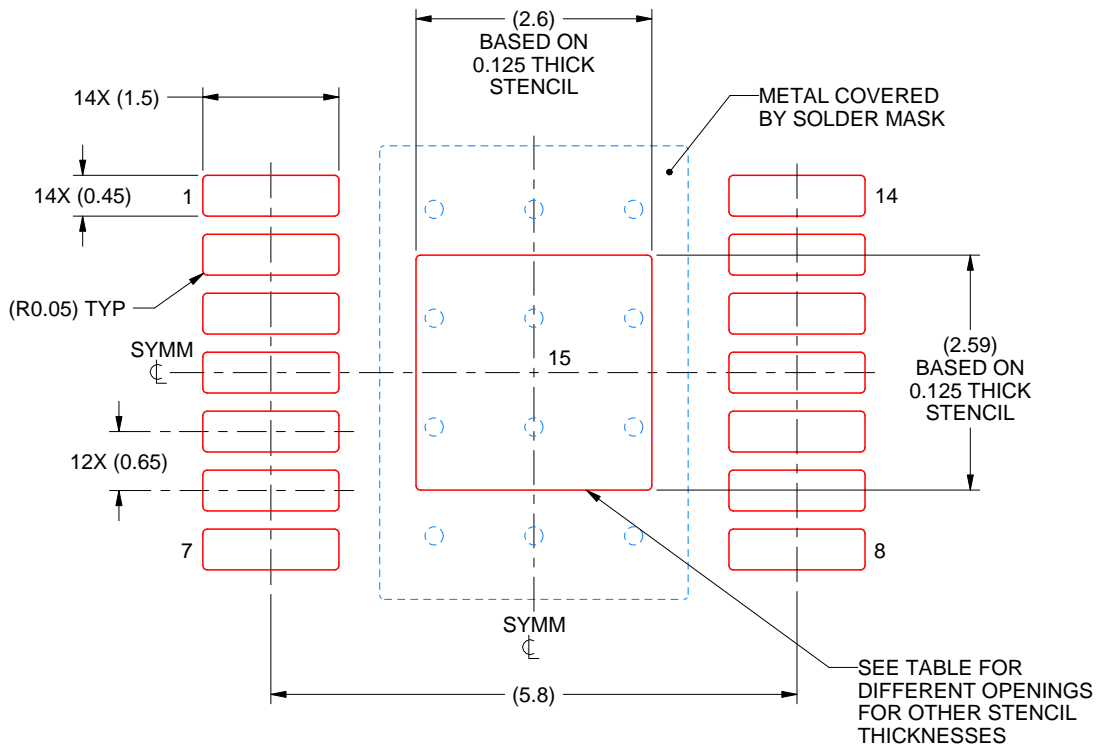
6. Publication IPC-7351 may have alternate designs.
7. Solder mask tolerances between and around signal pads can vary based on board fabrication site.
8. This package is designed to be soldered to a thermal pad on the board. For more information, see Texas Instruments literature numbers SLMA002 (www.ti.com/lit/slma002) and SLMA004 (www.ti.com/lit/slma004).
9. Size of metal pad may vary due to creepage requirement.
10. Vias are optional depending on application, refer to device data sheet. It is recommended that vias under paste be filled, plugged or tented.

EXAMPLE STENCIL DESIGN

PWP0014K

PowerPAD™ TSSOP - 1.2 mm max height

SMALL OUTLINE PACKAGE



SOLDER PASTE EXAMPLE
BASED ON 0.125 mm THICK STENCIL
SCALE: 12X

| STENCIL THICKNESS | SOLDER STENCIL OPENING |
|-------------------|------------------------|
| 0.1 | 2.91 X 2.90 |
| 0.125 | 2.60 X 2.59 (SHOWN) |
| 0.15 | 2.37 X 2.36 |
| 0.175 | 2.20 X 2.19 |

4229706/B 12/2023

NOTES: (continued)

11. Laser cutting apertures with trapezoidal walls and rounded corners may offer better paste release. IPC-7525 may have alternate design recommendations.
12. Board assembly site may have different recommendations for stencil design.

IMPORTANT NOTICE AND DISCLAIMER

TI PROVIDES TECHNICAL AND RELIABILITY DATA (INCLUDING DATASHEETS), DESIGN RESOURCES (INCLUDING REFERENCE DESIGNS), APPLICATION OR OTHER DESIGN ADVICE, WEB TOOLS, SAFETY INFORMATION, AND OTHER RESOURCES "AS IS" AND WITH ALL FAULTS, AND DISCLAIMS ALL WARRANTIES, EXPRESS AND IMPLIED, INCLUDING WITHOUT LIMITATION ANY IMPLIED WARRANTIES OF MERCHANTABILITY, FITNESS FOR A PARTICULAR PURPOSE OR NON-INFRINGEMENT OF THIRD PARTY INTELLECTUAL PROPERTY RIGHTS.

These resources are intended for skilled developers designing with TI products. You are solely responsible for (1) selecting the appropriate TI products for your application, (2) designing, validating and testing your application, and (3) ensuring your application meets applicable standards, and any other safety, security, regulatory or other requirements.

These resources are subject to change without notice. TI grants you permission to use these resources only for development of an application that uses the TI products described in the resource. Other reproduction and display of these resources is prohibited. No license is granted to any other TI intellectual property right or to any third party intellectual property right. TI disclaims responsibility for, and you fully indemnify TI and its representatives against any claims, damages, costs, losses, and liabilities arising out of your use of these resources.

TI's products are provided subject to [TI's Terms of Sale](#), [TI's General Quality Guidelines](#), or other applicable terms available either on ti.com or provided in conjunction with such TI products. TI's provision of these resources does not expand or otherwise alter TI's applicable warranties or warranty disclaimers for TI products. Unless TI explicitly designates a product as custom or customer-specified, TI products are standard, catalog, general purpose devices.

TI objects to and rejects any additional or different terms you may propose.

Copyright © 2025, Texas Instruments Incorporated

Last updated 10/2025