

适用于 DDR2、DDR3、DDR3L 和 DDR4 且具有 VTTREF 缓冲基准的 TPS51206 2A 峰值灌电流/拉电流 DDR 终端稳压器

1 特性

- 电源输入电压：支持 3.3V 和 5V 电源轨
- VLDOIN 输入电压范围：VTT+0.4V 至 3.5V
- VTT 端接稳压器
 - 输出电压范围：0.5V 至 0.9V
 - 2A 峰值灌电流和拉电流
 - 仅需 10 μ F 的多层陶瓷电容 (MLCC) 输出电容
 - \pm 20mV 精度
- VTTREF 缓冲参考输出
 - VDDQ/2 \pm 1% 精度
 - 10mA 灌/拉电流
- 支持高阻态 (S3 状态) 和软停止 (S4 和 S5 状态)，通过 S3 和 S5 输入选择
- 过热保护
- 10 引脚 2mm x 2mm 小外形尺寸无引线 (SON) (DSQ) 封装

2 应用

- DDR2、DDR3、DDR3L 和 DDR4 存储器电源
- SSTL_18、SSTL_15、SSTL_135 和 HSTL 终端
- 电信和数据通信、GSM 基站、液晶 (LCD) 电视和等离子 (PDP) 电视、复印机和打印机、机顶盒

3 说明

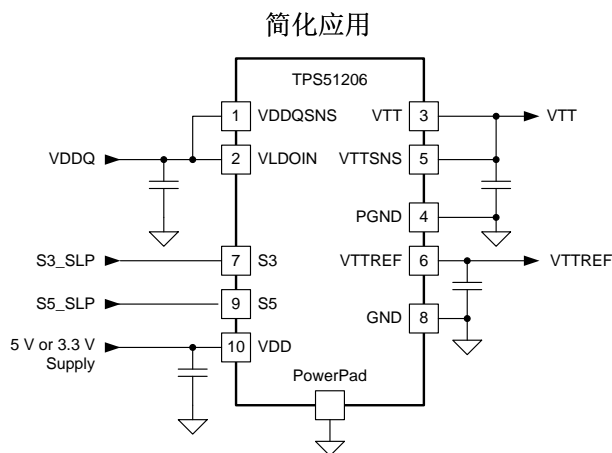
TPS51206 器件是具有 VTTREF 缓冲基准输出的灌电流/拉电流双倍数据速率 (DDR) 终端稳压器。该器件专门针对低输入电压、低成本、低外部组件数的空间受限型系统而设计。该器件可保持快速的瞬态响应，并且仅需 1 个 10 μ F 的陶瓷输出电容。该器件支持遥感功能，并且可满足 DDR2、DDR3 和低功耗 DDR3 (DDR3L) 及 DDR4 VTT 总线的所有电源要求。VTT 具有 \pm 2A 峰值电流能力。该器件支持所有 DDR 电源状态，在 S3 状态下将 VTT 置于高阻态（挂起到 RAM）；在 S4/S5 状态下使 VTT 和 VTTREF 放电（挂起到磁盘）。

TPS51206 器件采用 10 引脚 2mm x 2mm SON (DSQ) PowerPAD™封装，额定工作温度范围为 -40°C 至 105°C。

器件信息⁽¹⁾

器件型号	封装	封装尺寸 (标称值)
TPS51206	WSON (10)	2.00mm x 2.00mm

(1) 如需了解所有可用封装，请见数据表末尾的可订购产品附录。



Copyright © 2016, Texas Instruments Incorporated



目录

1	特性	1	8	Application and Implementation	13
2	应用	1	8.1	Application Information.....	13
3	说明	1	8.2	Typical Applications	13
4	修订历史记录	2	9	Power Supply Recommendations	17
5	Pin Configuration and Functions	3	10	Layout.....	17
6	Specifications.....	4	10.1	Layout Guidelines	17
6.1	Absolute Maximum Ratings	4	10.2	Layout Example	18
6.2	ESD Ratings.....	4	10.3	Thermal Considerations	18
6.3	Recommended Operating Conditions.....	4	11	器件和文档支持	19
6.4	Thermal Information	4	11.1	器件支持	19
6.5	Electrical Characteristics.....	5	11.2	接收文档更新通知	19
6.6	Typical Characteristics	6	11.3	社区资源.....	19
7	Detailed Description	10	11.4	商标.....	19
7.1	Overview	10	11.5	静电放电警告.....	19
7.2	Functional Block Diagram	10	11.6	术语表	19
7.3	Feature Description.....	10	12	机械、封装和可订购信息.....	19
7.4	Device Functional Modes.....	12			

4 修订历史记录

注：之前版本的页码可能与当前版本有所不同。

Changes from Revision D (March 2018) to Revision E	Page
• 已更改 将“额定工作温度范围为 -40°C 至 85°C”更改为“额定工作温度范围为 -40°C 至 105°C”（“说明”部分）	1
• Changed maximum operating temperature from "85 °C" to "105 °C" in <i>Recommended Operating Conditions</i> table	4

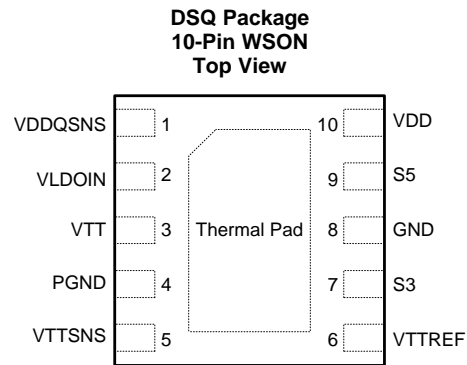
Changes from Revision C (August 2016) to Revision D	Page
• 已添加 VTTREF tolerance at 100 µA condition	5

Changes from Revision B (December 2014) to Revision C	Page
• 已添加 参考至 DDR4 兼容性	1
• 已添加 接收文档更新通知 部分	19
• 已添加 社区资源 部分	19

Changes from Revision A (October 2013) to Revision B	Page
• 已添加 引脚配置和功能部分，ESD 额定值表，特性 说明 部分、器件功能模式、应用和实施 部分、电源建议 部分、布局 部分、器件和文档支持 部分以及机械、封装和可订购信息 部分	1

Changes from Original (MAY 2011) to Revision A	Page
• 已添加 minimum and maximum values to the wake up condition of the VDD UVLO threshold voltage specification.....	5

5 Pin Configuration and Functions



Pin Functions

PIN		I/O	DESCRIPTION
NAME	NO.		
GND	8	–	Signal ground
PGND	4	–	Power GND for VTT LDO
S3	7	I	S3 signal input
S5	9	I	S5 signal input
VDD	10	I	Device power supply input (3.3 V or 5 V)
VDDQSNS	1	I	VDDQ sense input, reference input for VTTREF
VLDOIN	2	I	Power supply input for VTT/ VTTREF
VTT	3	O	Power output for VTT LDO, need to connect 10- μ F or greater MLCC for stability. No maximum limit for VTT output capacitance.
VTTREF	6	O	VTTREF buffered reference output. Connect to MLCC between 0.22- μ F and 1- μ F for stability. The VTTREF pin can not be open.
VTTSENS	5	I	VTT LDO voltage sense input
Thermal Pad		—	Solder to the ground plane for increased thermal performance.

6 Specifications

6.1 Absolute Maximum Ratings⁽¹⁾

		MIN	MAX	UNIT
Input voltage ⁽²⁾	VDD, S3, S5	-0.3	7	V
	VLDOIN, VTTSNS, VDDQSNS	-0.3	3.6	V
	PGND	-0.3	0.3	
Output voltage ⁽²⁾	VTT, VTTREF	-0.3	3.6	
Operation junction temperature, T _J		-40	150	°C
Storage temperature, T _{stg}		-55	150	°C

- (1) Stresses beyond those listed under *Absolute Maximum Ratings*⁽¹⁾ may cause permanent damage to the device. These are stress ratings only and functional operation of the device at these or any other conditions beyond those indicated under *Recommended Operating Conditions* is not implied. Exposure to absolute-maximum-rated conditions for extended periods may affect device reliability.
- (2) All voltage values are with respect to the network ground terminal unless otherwise noted.

6.2 ESD Ratings

			VALUE	UNIT
V _(ESD)	Electrostatic discharge	Human-body model (HBM), per ANSI/ESDA/JEDEC JS-001 ⁽¹⁾	±2000	V
		Charged-device model (CDM), per JEDEC specification JESD22-C101 ⁽²⁾	±500	

- (1) JEDEC document JEP155 states that 500-V HBM allows safe manufacturing with a standard ESD control process.
- (2) JEDEC document JEP157 states that 250-V CDM allows safe manufacturing with a standard ESD control process.

6.3 Recommended Operating Conditions

		MIN	NOM	MAX	UNIT
Supply voltage	VDD	3.1		6.5	V
Input voltage range ⁽¹⁾	S3, S5	-0.1		6.5	V
	VLDOIN, VTTSNS, VDDQSNS	-0.1		3.5	
	PGND	-0.1		0.1	
Output voltage range ⁽¹⁾	VTT, VTTREF	-0.1		3.5	V
Operating free-air temperature, T _A		-40		105	°C

- (1) All voltage values are with respect to the network ground terminal unless otherwise noted.

6.4 Thermal Information

THERMAL METRIC ⁽¹⁾		TPS51206	UNIT
		DSQ (WSON)	
		10 PINS	
R _{θJA}	Junction-to-ambient thermal resistance	70.3	°C/W
R _{θJC(top)}	Junction-to-case (top) thermal resistance	46.3	
R _{θJB}	Junction-to-board thermal resistance	33.8	
ψ _{JT}	Junction-to-top characterization parameter	2.9	
ψ _{JB}	Junction-to-board characterization parameter	33.5	
R _{θJC(bot)}	Junction-to-case (bottom) thermal resistance	16.3	

- (1) 有关传统和新热指标的更多信息，请参见应用报告《半导体和 IC 封装热指标》（文献编号：SPRA953）。

6.5 Electrical Characteristics

Over operating free-air temperature range, $V_{DD} = 5\text{ V}$, VLDOIN is connected to VDDQSNS, $V_{S3} = V_{S5} = 5\text{ V}$ (unless otherwise noted)

PARAMETER		TEST CONDITION	MIN	TYP	MAX	UNIT
SUPPLY CURRENT						
$I_{VDD(S0)}$	VDD supply current, in S0	$T_A = 25^\circ\text{C}$, No load, $V_{S3} = V_{S5} = 5\text{ V}$, $V_{VDDQSNS} = 1.8\text{ V}$		170		μA
$I_{VDD(S3)}$	VDD supply current, in S3	$T_A = 25^\circ\text{C}$, No load, $V_{S3} = 0\text{ V}$, $V_{S5} = 5\text{ V}$, $V_{VDDQSNS} = 1.8\text{ V}$		80		μA
I_{VDDSDN}	VDD shutdown current, in S4 and S5	$T_A = 25^\circ\text{C}$, No load, $V_{S3} = V_{S5} = 0\text{ V}$, $V_{VDDQSNS} = 1.8\text{ V}$			1	μA
$I_{VLDOIN(S0)}$	VLDOIN supply current, in S0	$T_A = 25^\circ\text{C}$, No load, $V_{S3} = V_{S5} = 5\text{ V}$, $V_{LDION} = 1.8\text{ V}$			5	μA
$I_{VLDOIN(S3)}$	VLDOIN supply current, in S3	$T_A = 25^\circ\text{C}$, No load, $V_{S3} = 0\text{ V}$, $V_{S5} = 5\text{ V}$, $V_{LDION} = 1.8\text{ V}$			5	μA
$I_{VLDOINSDN}$	VLDOIN shutdown current, in S4 and S5	$T_A = 25^\circ\text{C}$, No load, $V_{S3} = V_{S5} = 0\text{ V}$, $V_{LDION} = 1.8\text{ V}$			5	μA
VTTREF OUTPUT						
V_{VTTREF}	Output voltage		$V_{VDDQSNS}/2$			V
$V_{VTTREFTOL}$	Output voltage tolerance to $V_{VDDQSNS}$	$ I_{VTTREF} \leq 10\text{ mA}$, $1.5\text{ V} \leq V_{VDDQSNS} \leq 1.8\text{ V}$	49%		51%	
		$ I_{VTTREF} \leq 10\text{ mA}$, $1.2\text{ V} \leq V_{VDDQSNS} < 1.5\text{ V}$	48.75%		51.25%	
		$ I_{VTTREF} \leq 100\text{ }\mu\text{A}$, $1.2\text{ V} \leq V_{VDDQSNS} \leq 1.8\text{ V}$	49%		51%	
$I_{VTTREFSRC}$	Source current	$V_{VDDQSNS} = 1.8\text{ V}$, $V_{VTTREF} = 0\text{ V}$	10			mA
$I_{VTTREFSNK}$	Sink current	$V_{VDDQSNS} = 0\text{ V}$, $V_{VTTREF} = 1.8\text{ V}$	10			mA
$I_{VTTREFDIS}$	VTTREF Discharge current	$T_A = 25^\circ\text{C}$, $V_{S3} = V_{S5} = 0\text{ V}$, $V_{VTTREF} = 0.5\text{ V}$		1.3		mA
VTT OUTPUT						
V_{VTT}	Output voltage		$V_{VDDQSNS}/2$			V
V_{VTTTOL}	Output voltage tolerance to $V_{VDDQSNS}/2$	$ I_{VTT} \leq 10\text{ mA}$, $1.4\text{ V} \leq V_{VDDQSNS} \leq 1.8\text{ V}$	-20		20	mV
		$ I_{VTT} < 1\text{ A}$, $1.4\text{ V} \leq V_{VDDQSNS} \leq 1.8\text{ V}^{(1)}$	-30		30	
		$ I_{VTT} < 2\text{ A}$, $1.4\text{ V} \leq V_{VDDQSNS} \leq 1.8\text{ V}^{(1)}$	-40		40	
		$ I_{VTT} \leq 10\text{ mA}$, $1.2\text{ V} \leq V_{VDDQSNS} \leq 1.4\text{ V}$	-20		20	
		$ I_{VTT} < 1\text{ A}$, $1.2\text{ V} \leq V_{VDDQSNS} \leq 1.4\text{ V}^{(1)}$	-30		30	
		$ I_{VTT} < 1.5\text{ A}$, $1.2\text{ V} \leq V_{VDDQSNS} < 1.4\text{ V}^{(1)}$	-40		40	
$I_{VTTCLSRC}$	Source current limit	$V_{VDDQSNS} = 1.8\text{ V}$, $V_{VTT} = V_{VTTNS} = 0.7\text{ V}$	2			A
$I_{VTTCLSNK}$	Sink current limit	$V_{VDDQSNS} = 1.8\text{ V}$, $V_{VTT} = V_{VTTNS} = 1.1\text{ V}$	2			A
I_{VTTLK}	Leakage current	$T_A = 25^\circ\text{C}$, $V_{S3} = 0\text{ V}$, $V_{S5} = 5\text{ V}$, $V_{VTT} = V_{VTTREF}$			5	μA
$I_{VTTNSBIAS}$	VTTNS input bias current	$V_{S3} = 5\text{ V}$, $V_{S5} = 5\text{ V}$, $V_{VTTNS} = V_{VTTREF}$	-0.1		0.1	μA
$I_{VTTNSLK}$	VTTNS leakage current	$V_{S3} = 0\text{ V}$, $V_{S5} = 5\text{ V}$, $V_{VTTNS} = V_{VTTREF}$	-0.1		0.1	μA
I_{VTTDIS}	VTT Discharge current	$T_A = 25^\circ\text{C}$, $V_{S3} = V_{S5} = V_{VDDQSNS} = 0\text{ V}$, $V_{VTT} = 0.5\text{ V}$		7		mA
VDDQ INPUT						
$I_{VDDQSNS}$	VDDQSNS input current	$V_{VDDQSNS} = 1.8\text{ V}$		30		μA
UVLO/LOGIC THRESHOLD						
V_{VDDUV}	VDD UVLO threshold voltage	Wake up	2.67	2.90	3.00	V
		Hysteresis		0.2		
V_{LL}	S3 and S5 low-level voltage				0.5	V
V_{LH}	S3 and S5 high-level voltage		1.8			V
V_{LHYST}	S3 and S5 hysteresis voltage			0.3		V
I_{LHLK}	S3 and S5 input leak current		-1		1	μA
OVER-TEMPERATURE PROTECTION						
T_{OTP}	Over temperature protection	Shutdown temperature ⁽¹⁾		150		$^\circ\text{C}$
		Hysteresis ⁽¹⁾		10		

(1) Ensured by design. Not production tested.

6.6 Typical Characteristics

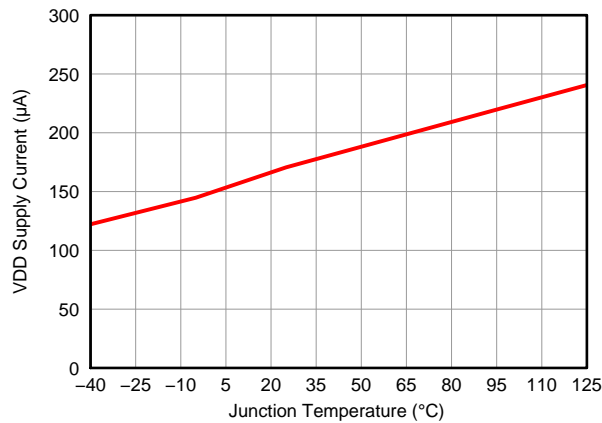


图 1. VDD Supply Current vs. Junction Temperature

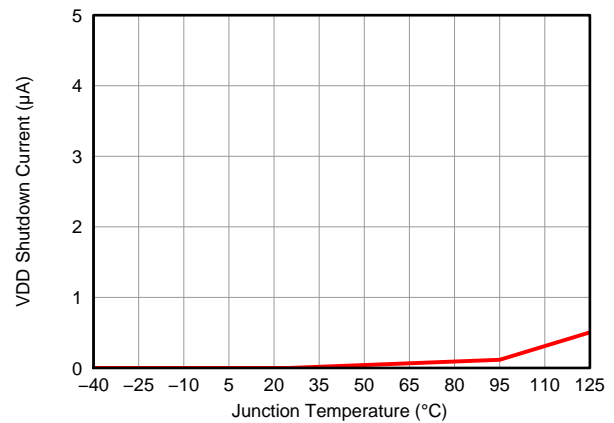


图 2. VDD Shutdown Current vs. Junction Temperature

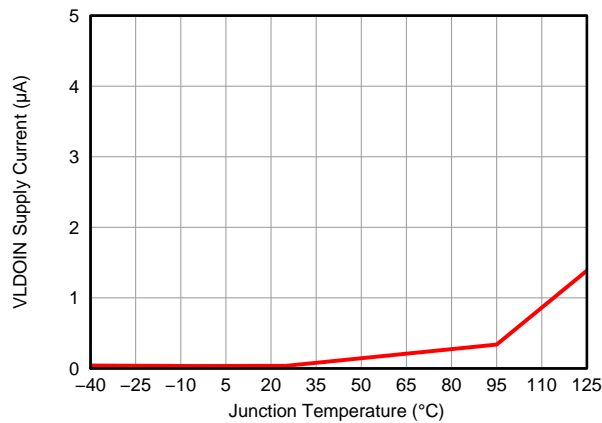


图 3. VLDOIN Supply Current vs. Junction Temperature

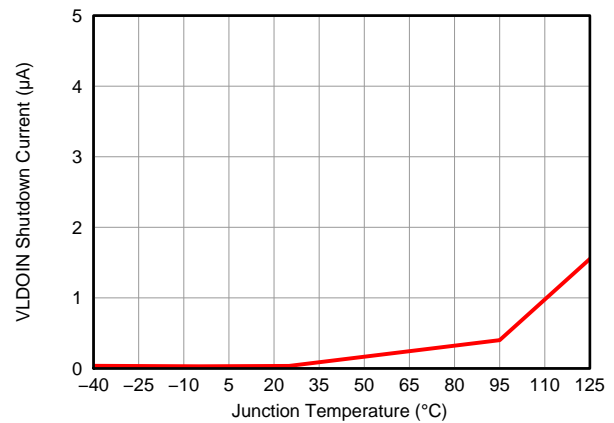


图 4. VLDOIN Shutdown Current vs. Junction Temperature

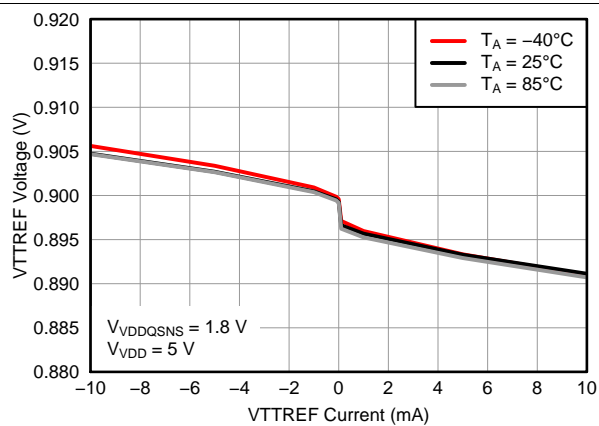


图 5. VTTREF Load Regulation (0.9 V)

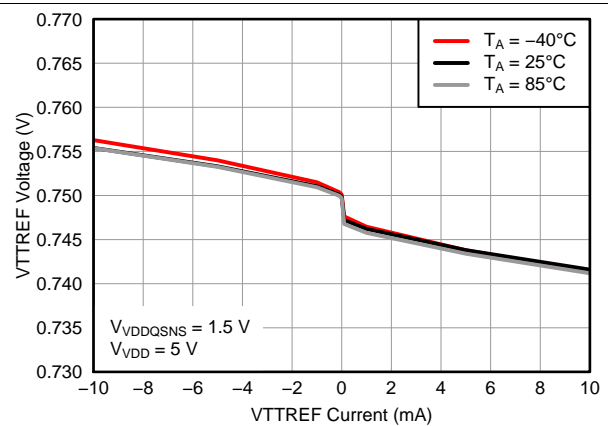


图 6. VTTREF Load Regulation (0.75 V)

Typical Characteristics (接下页)

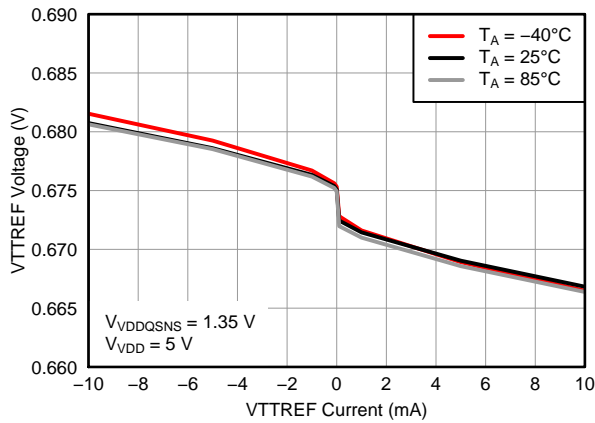


图 7. VTTREF Load Regulation (0.675 V)

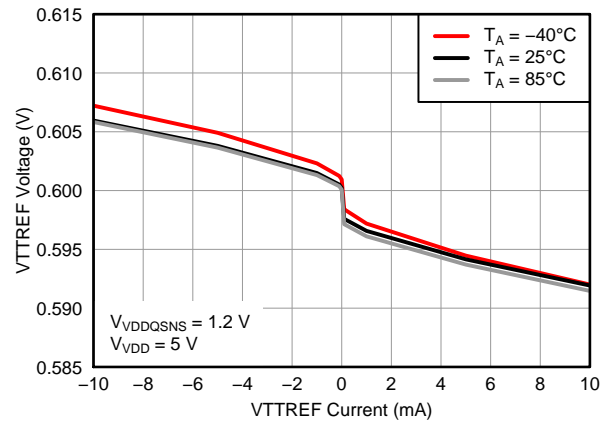


图 8. VTTREF Load Regulation (0.6 V)

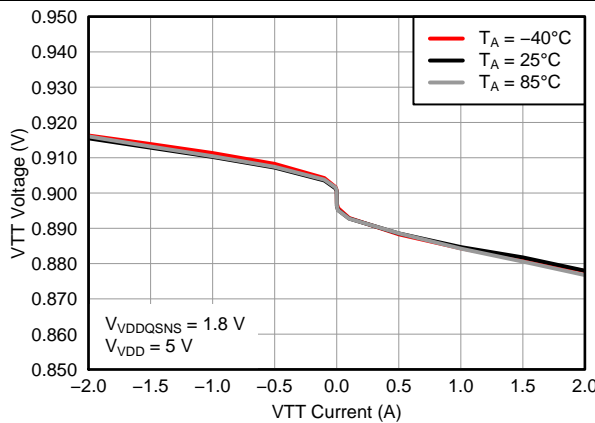


图 9. VTT Load Regulation (0.9 V)

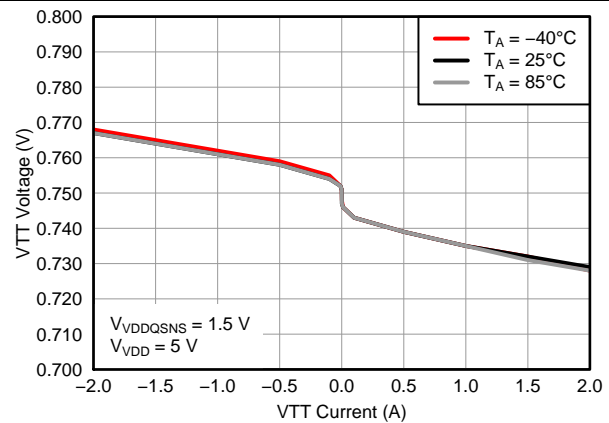


图 10. VTT Load Regulation (0.75 V)

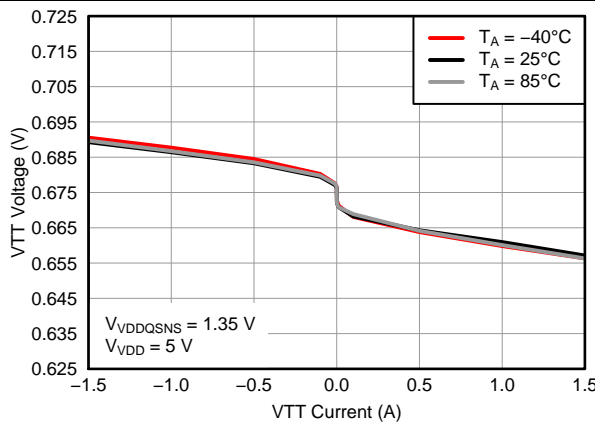


图 11. VTT Load Regulation (0.675 V)

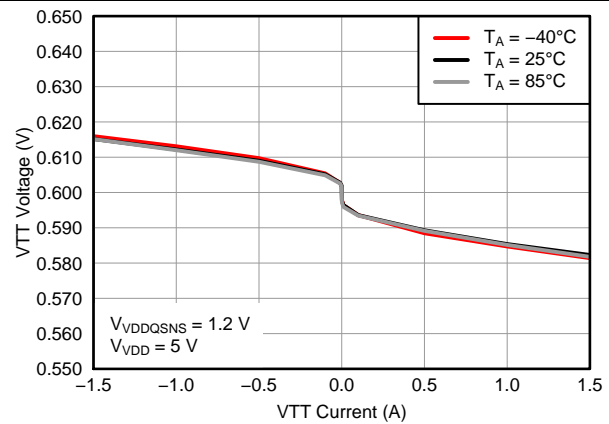


图 12. VTT Load Regulation (0.6 V)

Typical Characteristics (接下页)

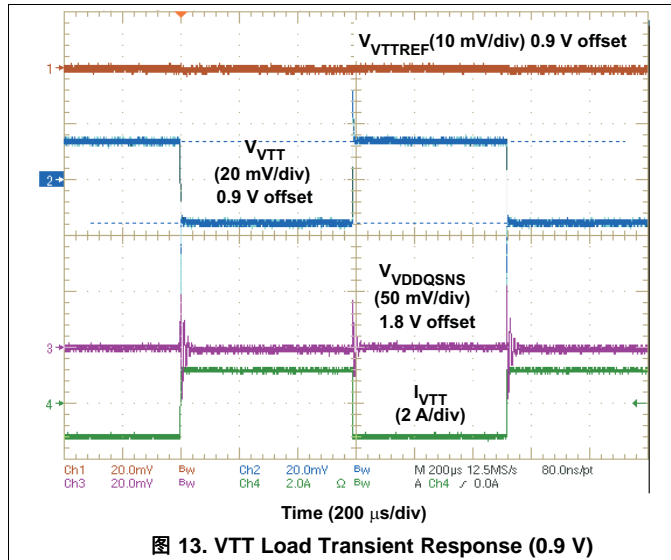


图 13. VTT Load Transient Response (0.9 V)

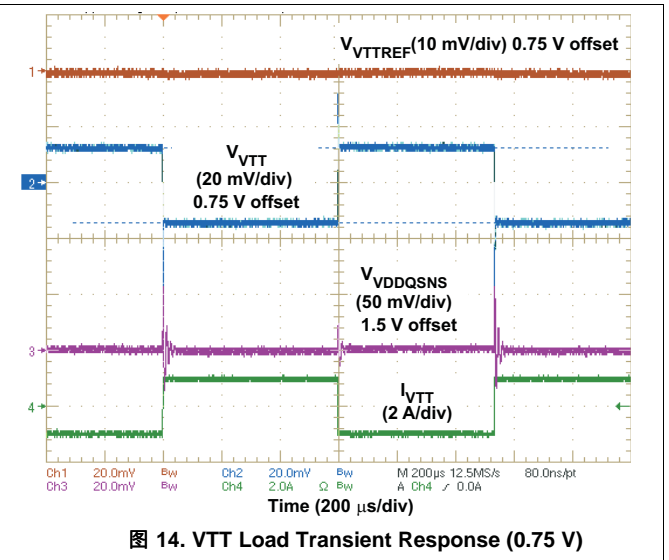


图 14. VTT Load Transient Response (0.75 V)

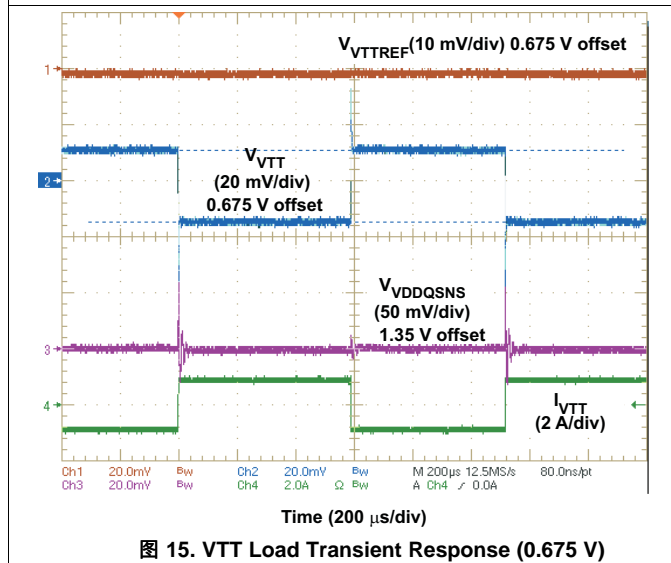


图 15. VTT Load Transient Response (0.675 V)

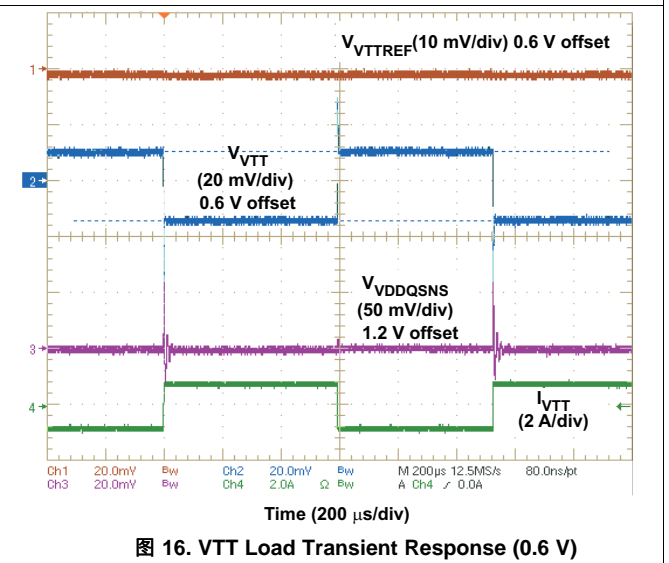


图 16. VTT Load Transient Response (0.6 V)

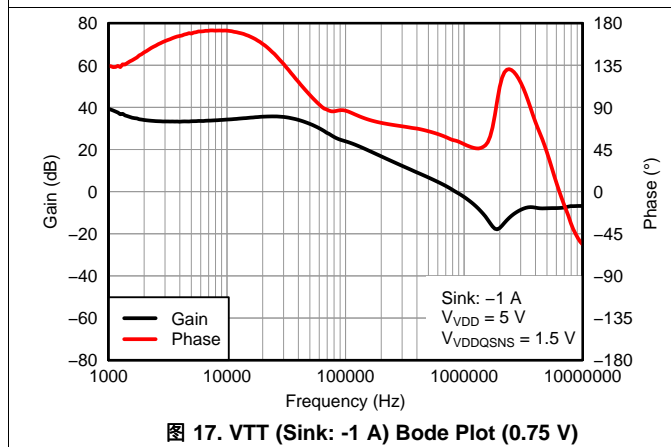


图 17. VTT (Sink: -1 A) Bode Plot (0.75 V)

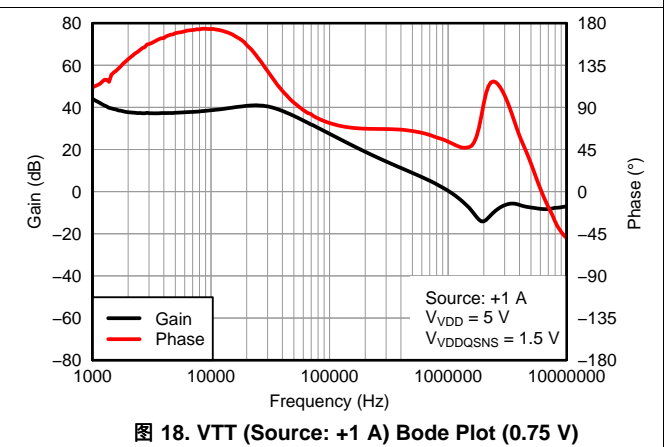


图 18. VTT (Source: +1 A) Bode Plot (0.75 V)

Typical Characteristics (接下页)

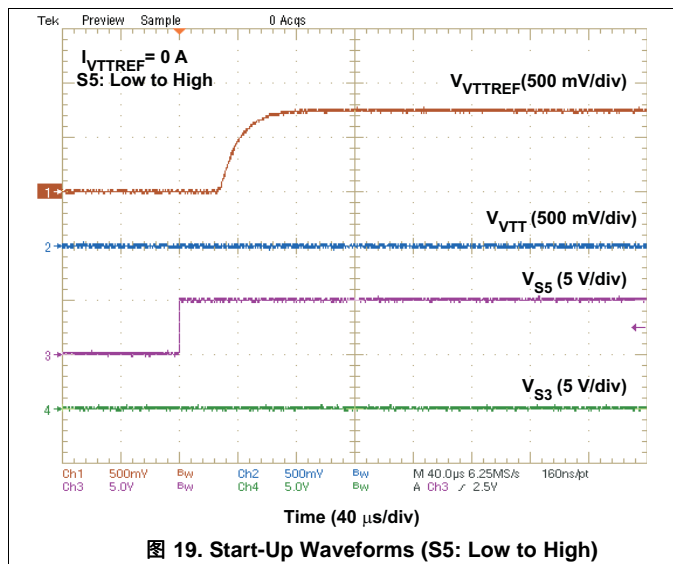


图 19. Start-Up Waveforms (S5: Low to High)

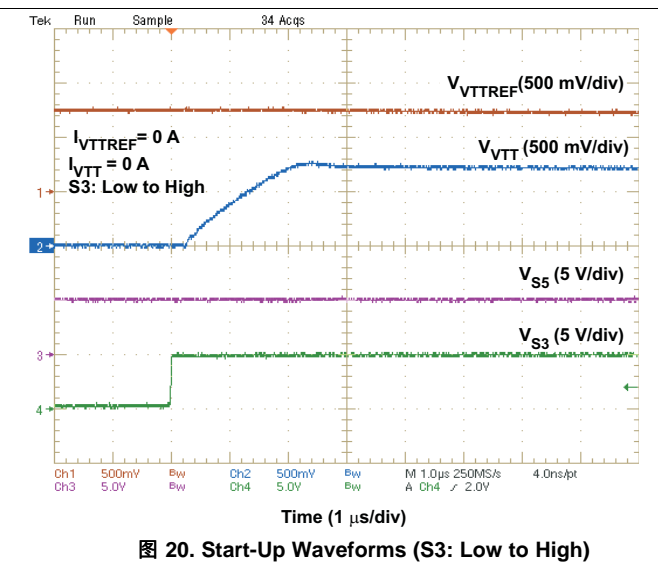


图 20. Start-Up Waveforms (S3: Low to High)

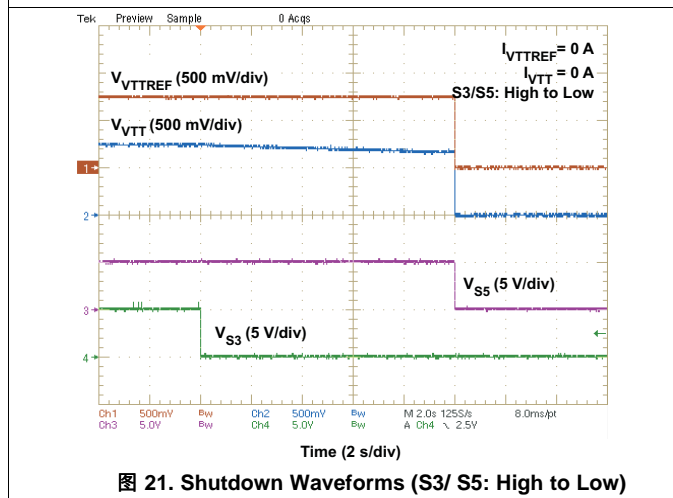


图 21. Shutdown Waveforms (S3/ S5: High to Low)

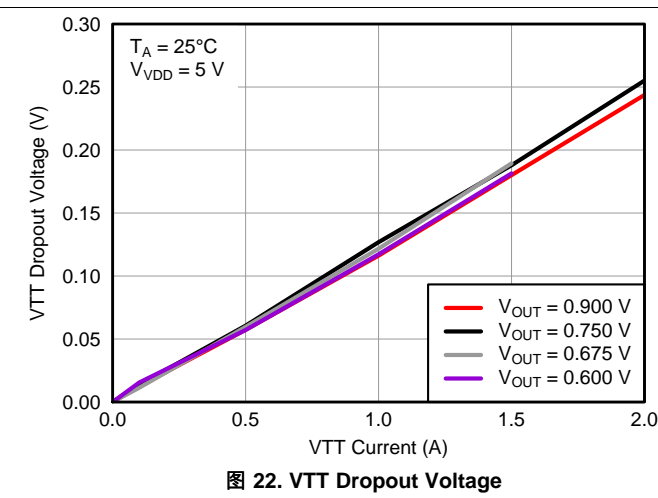


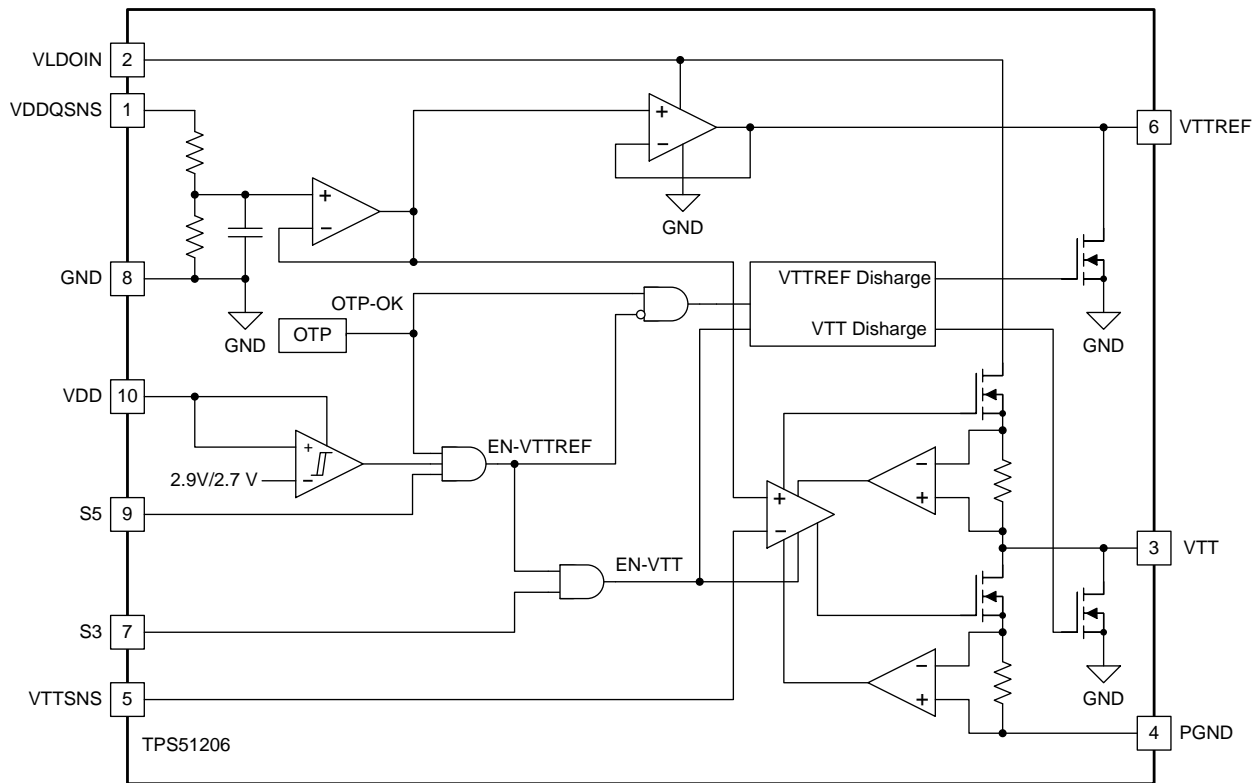
图 22. VTT Dropout Voltage

7 Detailed Description

7.1 Overview

The TPS51206 device is a sink or source double data rate (DDR) termination regulator with VTTREF buffered reference output.

7.2 Functional Block Diagram



Copyright © 2016, Texas Instruments Incorporated

7.3 Feature Description

7.3.1 VTT Sink and Source Regulator

The TPS51206 device is a sink or source tracking termination regulator specifically designed for low input voltage, low cost, and low external component count systems where space is a key application parameter. The device integrates a high-performance, low-dropout (LDO) linear regulator (VTT) that has ultimate fast response to track $\frac{1}{2}$ VDDQSNS within 40 mV at all conditions, and its current capability is 2 A for both sink and source directions. A 10- μ F (or greater) ceramic capacitor(s) need to be attached close to the VTT terminal for stable operation. A grade of X5R or better is recommended. To achieve tight regulation with minimum effect of trace resistance, the remote sensing terminal, VTTSENS, should be connected to the positive terminal of the output capacitor(s) as a separate trace from the high current path from the VTT pin.

The device has a dedicated pin, VLDOIN, for VTT power supply to minimize the LDO power dissipation on user application. The minimum VLDOIN voltage is 0.4 V above the $\frac{1}{2}$ VDDQSNS voltage.

7.3.2 VTTREF

The VTTREF pin includes 10 mA of sink or source current capability, and tracks $\frac{1}{2}$ of VDDQSNS with $\pm 1\%$ accuracy. The VTTREF pin can not be open. A 0.22- μ F ceramic capacitor needs to be attached close to the VTTREF terminal for stable operation; X5R or better grade is recommended.

Feature Description (接下页)

7.3.3 VDD Undervoltage Lockout Protection

The TPS51206 device input voltage (VDD) includes undervoltage lockout protection (UVLO). When the VDD pin voltage is lower than UVLO threshold voltage, VTT and VTTREF are shut off. This is non-latch protection.

7.3.4 VTT Current Limit

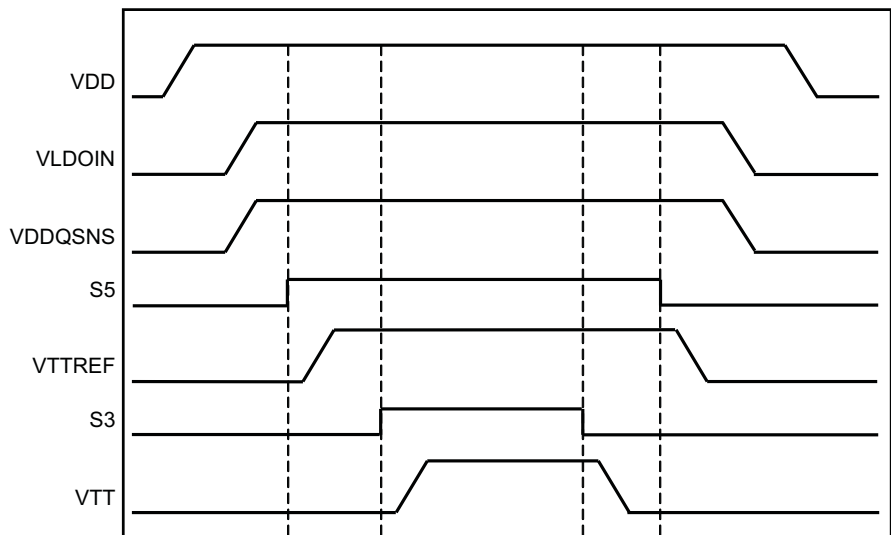
The TPS51206 device has VTT sink and source current limit capability. When the VTT current is higher than 2 A, the current is limited and VTT voltage is out of regulation. When the current is below 2 A, the VTT voltage is in regulation. This is non-latch protection.

7.3.5 Overtemperature Protection

This device features internal temperature monitoring. If the temperature exceeds the threshold value, VTT and VTTREF are shut off. This is a non-latch protection.

7.3.6 Power On and Off Sequence

图 23 is the recommended power on and off sequence. During power on, it is allowed to turn on VDD, S3 and S5 first, then turn on VLDOIN and VDDQSNS. During power off, it is allowed to turn off VDD, S3 and S5 first, then turn off VLDOIN and VDDQSNS.



UDG-11136

图 23. Typical Timing Diagram

7.4 Device Functional Modes

7.4.1 Power State Control

The TPS51206 device has two input pins, S3 and S5, to provide simple control of the power state. 表 1 describes S3 and S5 terminal logic state and corresponding state of VTTREF and VTT outputs. VTT is turn-off and placed to high impedance (High-Z) state in S3. The VTT output is floated and does not sink or source current in this state. When both S5 and S3 pins are LOW, the power state is set to S4 and S5. In S4 and S5 state, all the outputs are turn-off and discharged to GND.

表 1. S3 and S5 Control Table

STATE	S3	S5	VTTREF	VTT
S0	HI	HI	ON	ON
S3	LO	HI	ON	OFF(High-Z)
S4 and S5	LO	LO	OFF(Discharge)	OFF(Discharge)

8 Application and Implementation

注

Information in the following applications sections is not part of the TI component specification, and TI does not warrant its accuracy or completeness. TI's customers are responsible for determining suitability of components for their purposes. Customers should validate and test their design implementation to confirm system functionality.

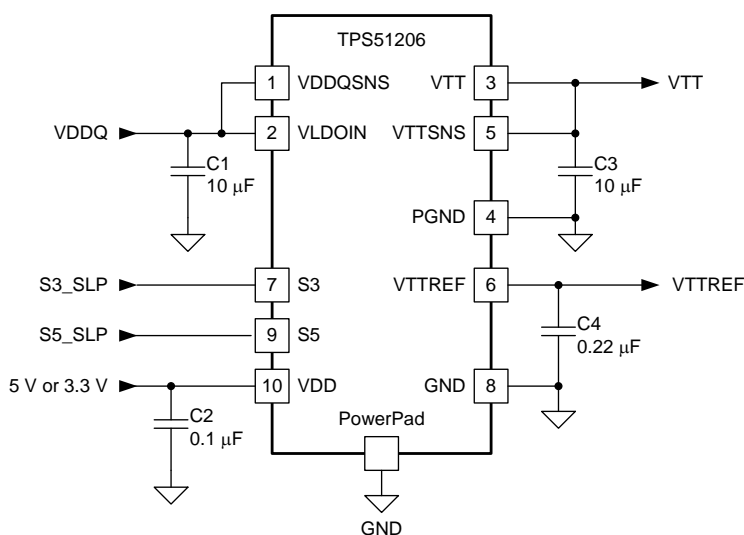
8.1 Application Information

The TPS51206 device is typically used as a sink and source tracking termination regulator which converts a voltage from VTT+0.4 V to 3.5 V

8.2 Typical Applications

8.2.1 VLDOIN = VDDQ Configuration

图 24 shows an application diagram for a configuration where VLDOIN and VDDQ are connected.



Copyright © 2016, Texas Instruments Incorporated

图 24. VLDOIN = VDDQ Configuration

8.2.1.1 Design Requirements

表 2. Design Parameters

PARAMETER	EXAMPLE VALUE
Supply Voltage (VDD)	3.3 V or 5 V
VLDOIN = VDDQ	1.5 V
Output Current	±2 A

8.2.1.2 Detailed Design Procedure

表 3. VLDOIN = VDDQ Configuration Components

REFERENCE DESIGNATOR	SPECIFICATION	MANUFACTURER	PART NUMBER
C1, C3	10 μ F, 6.3 V, X5R, 1608 (0603)	Taiyo Yuden	JMK107BJ106MA
C2	0.1 μ F, 6.3 V, X5R, 1005 (0402)	Taiyo Yuden	JWK105BJ104MP
C4	0.22 μ F, 6.3 V, X5R, 1005 (0402)	Taiyo Yuden	JMK105BJ224KV

8.2.1.2.1 VDD Capacitor

Add a ceramic capacitor, with a value 0.1 μ F (or greater) and X5R grade (or better), placed close to the VDD terminal, to stabilize the bias supply voltage from any parasitic impedance from the power supply rail.

8.2.1.2.2 VLDOIN Capacitor

Depending on the trace impedance between the VLDOIN bulk power supply to the device, a transient increase of source current is supplied mostly by the charge from the VLDOIN input capacitor. Use a 10- μ F (or greater) and X5R grade (or better) ceramic capacitor to supply this transient charge.

8.2.1.2.3 VTTREF Capacitor

Add a ceramic capacitor, with a value 0.22 μ F and X5R grade (or better), placed close to the VTTREF terminal for stable operation.

8.2.1.2.4 VTT Capacitor

For stable operation, a 10- μ F (or greater) and X5R (or better) grade ceramic capacitor(s) need to be attached close to the VTT terminal. This capacitor is recommended to minimize any additional equivalent series resistance (ESR) and/or equivalent series inductance (ESL) of ground trace between the PGND terminal and the VTT capacitor(s).

8.2.1.2.5 VTTSENS Connection

To achieve tight regulation with minimum effect of trace resistance, a remote sensing terminal, the VTTSENS pin should be connected to the positive terminal of the VTT pin output capacitor(s) as a separate trace from VTT. Consider adding a low-pass R-C filter at the VTTSENS pin in case the ESR of the VTT output capacitor(s) is larger than 2 m Ω . The R-C filter time constant should be approximately the same or slightly lower than the time constant of the VTT output capacitance and ESR.

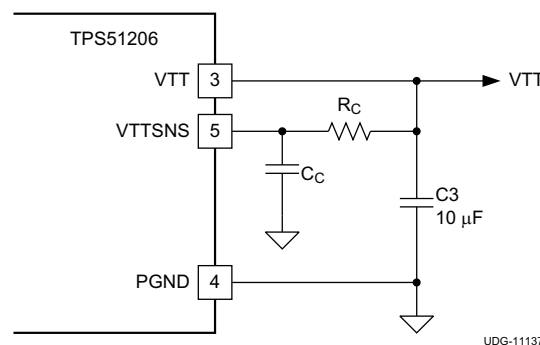


图 25. R-C Filter for VTTSENS

8.2.1.2.6 VDDQSNS Connection

VDDQSNS is a reference input of the VTTREF and VTT. Trace should be routed away from noise-generating lines.

8.2.1.3 Application Curves

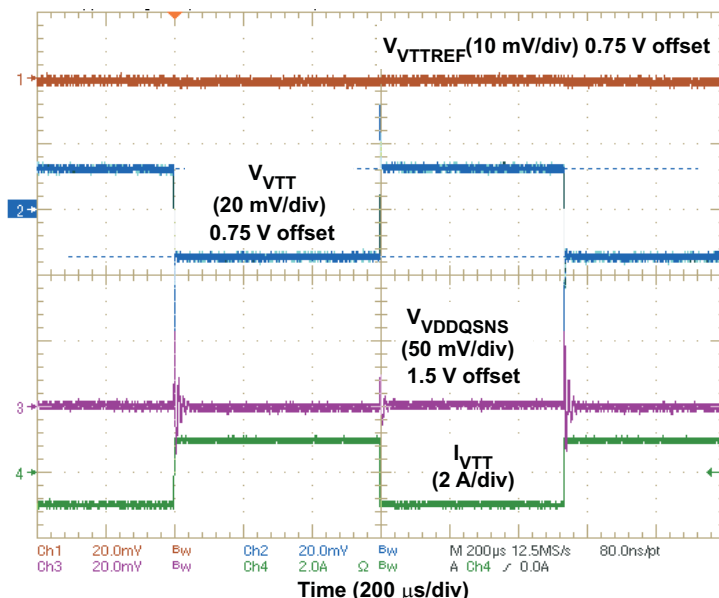
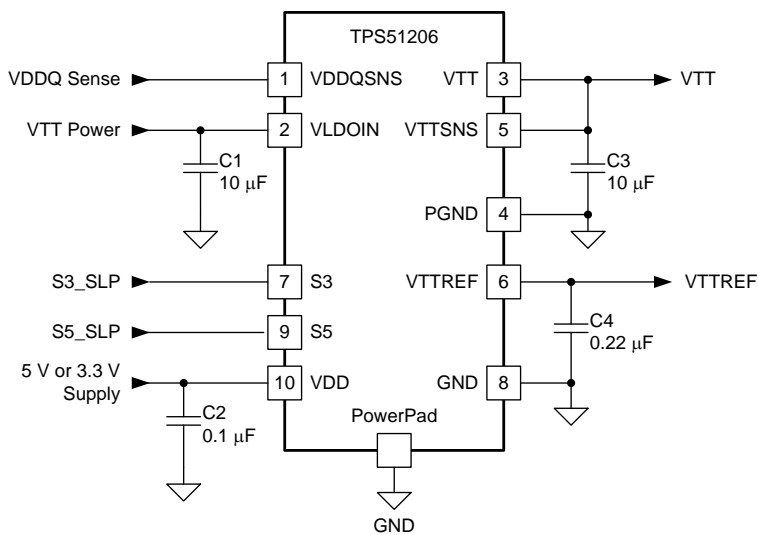


图 26. VTT Load Transient Response (0.75 V)

8.2.2 VLDOIN Separated from VDDQ Configuration

图 27 shows an application diagram for a configuration where VLDOIN and VDDQ are separated.



Copyright © 2016, Texas Instruments Incorporated

图 27. VLDOIN Separated from VDDQ Configuration

8.2.2.1 Design Requirements

表 4. Design Parameters

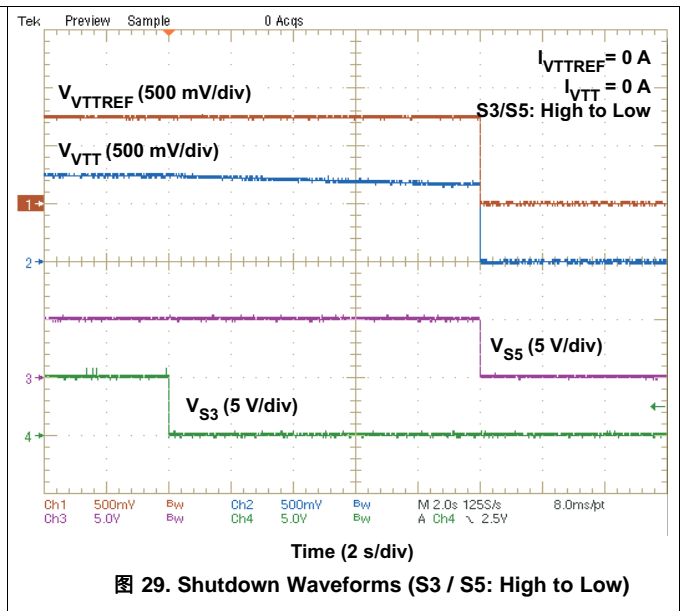
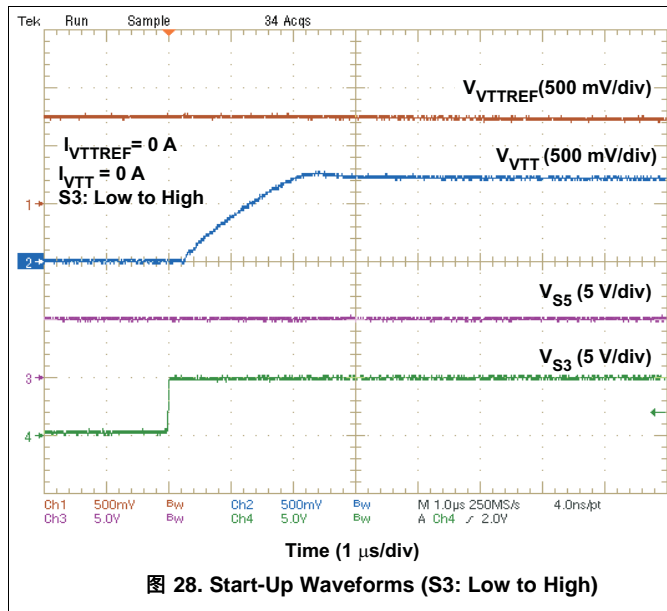
PARAMETER	EXAMPLE VALUE
Supply Voltage (VDD)	3.3 V or 5 V
VLDOIN = VDDQ	1.5 V
Output Current	±2 A

8.2.2.2 Detailed Design Procedure

表 5. VLDOIN Separated from VDDQ Configuration Components

REFERENCE DESIGNATOR	SPECIFICATION	MANUFACTURER	PART NUMBER
C1, C3	10 μ F, 6.3V, X5R, 1608 (0603)	Taiyo Yuden	JMK107BJ106MA
C2	0.1 μ F, 6.3V, X5R, 1005 (0402)	Taiyo Yuden	JWK105BJ104MP
C3	10 μ F, 6.3V, X5R, 1608 (0603)	Taiyo Yuden	JMK107BJ106MA
C4	0.22 μ F, 6.3V, X5R, 1005 (0402)	Taiyo Yuden	JMK105BJ224KV

8.2.2.3 Application Curves



9 Power Supply Recommendations

TPS51206 device is designed for a sink / source double data rate (DDR) termination regulator with VTTREF buffered reference output. Supply input voltage (VDD) supports 3.3-V rail and 5-V rail; VLDOIN input voltage supports VTT+0.4 V to 3.5 V.

10 Layout

10.1 Layout Guidelines

Consider the following before beginning a TPS51206 device layout design.

- The input bypass capacitor for VLDOIN should be placed as close as possible to the terminal with short and wide connections.
- The output capacitor for VTT should be placed close to the terminals (VTT and PGND) with short and wide connection in order to avoid additional ESR and/or ESL trace inductance.
- VTTSNS should be connected to the positive node of VTT output capacitor(s) as a separate trace from the high current VTT power trace. In addition, VTTSNS trace should be routed away from high current trace, on the separate layer is recommended. This configuration is strongly recommended to avoid additional ESR and/or ESL. If sensing the voltage at the point of the load is required, it is recommended to attach the output capacitor(s) at that point. In addition, it is recommended to minimize any additional ESR and/or ESL of ground trace between the GND pin and the VTT capacitor(s).
- The GND pin (and the negative node of the VTTREF output capacitor) and PGND pins (and the negative node of the VTT output capacitor) should be connected to the internal system ground planes (for better result, use at least two internal ground planes) with multiple vias. Use as many vias as possible to reduce the impedance between GND pin or PGND pin and the system ground plane.
- In order to effectively remove heat from the package, properly prepare the thermal land. Apply solder directly to the package thermal pad. The wide traces of the component and the side copper connected to the thermal land pad help to dissipate heat. Numerous vias 0.33 mm in diameter connected from the thermal land to the internal/solder side ground plane(s) should also be used to help dissipation. Consult the [TPS51206-EVM User's Guide](#) for more detailed layout recommendations.

10.2 Layout Example

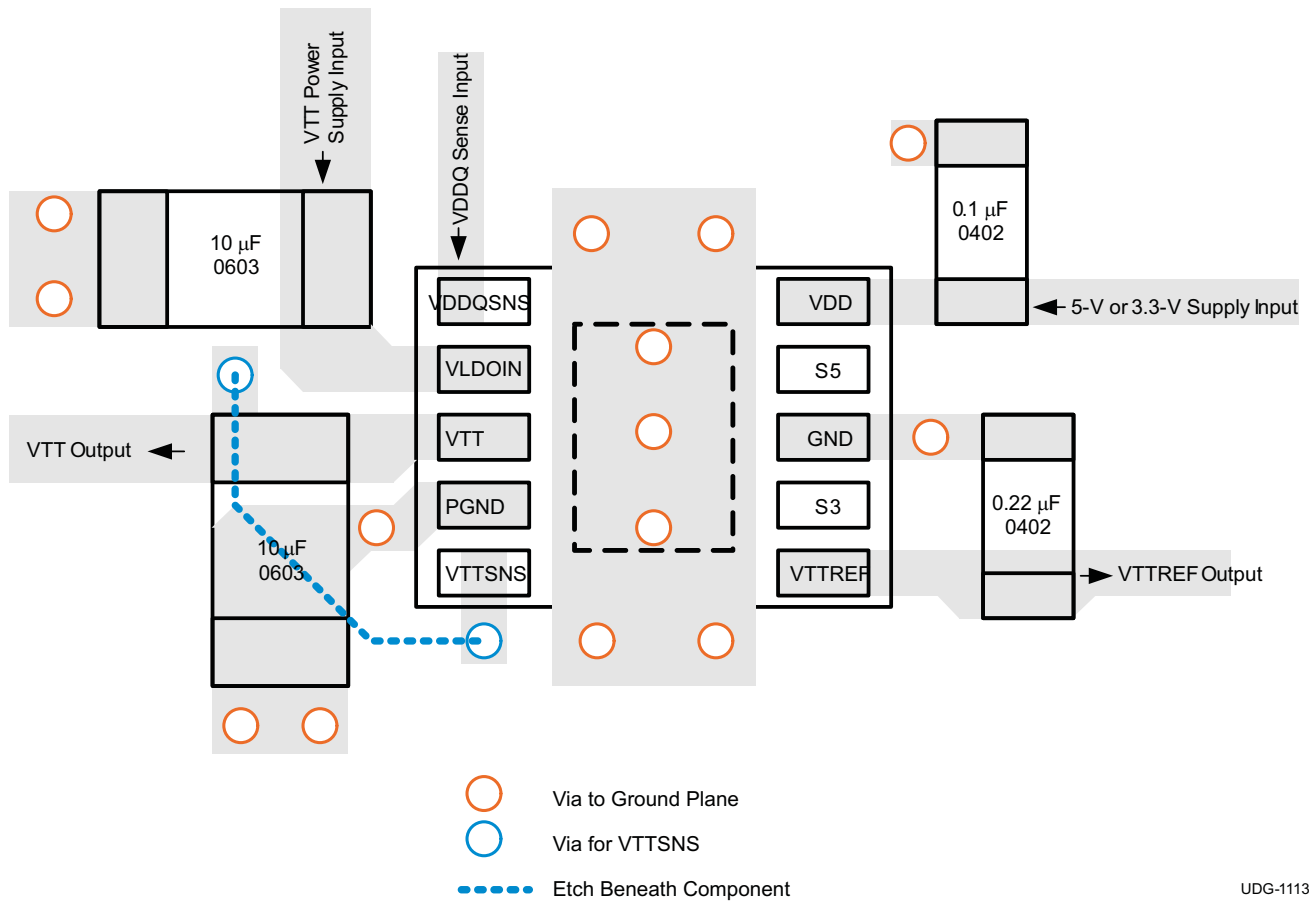


图 30. PCB Layout Guideline

10.3 Thermal Considerations

Because the TPS51206 device is a linear regulator, the VTT current flows in both source and sink directions, thereby dissipating power from the device. When the device is sourcing current, the voltage difference between V_{VLDOIN} and V_{VTT} times I_{VTT} (VTT current) becomes the power dissipation as shown in [公式 1](#).

$$P_{DISS(src)} = (V_{VLDOIN} - V_{VTT}) \times I_{VTT(src)} \quad (1)$$

In this case, if the VLDOIN pin is connected to an alternative power supply lower than the VDDQ voltage, overall power loss can be reduced. For the sink phase, VTT voltage is applied across the internal LDO regulator, and the power dissipation can be calculated by [公式 2](#).

$$P_{DISS(snk)} = V_{VTT} \times I_{VTT(snk)} \quad (2)$$

Maximum power dissipation allowed by the package is calculated by [公式 3](#).

$$P_{PKG} = \frac{T_{J(max)} - T_{A(max)}}{\theta_{JA}}$$

where

- $T_{J(max)}$ is 125°C
 - $T_{A(max)}$ is the maximum ambient temperature in the system
 - θ_{JA} is the thermal resistance from junction to ambient
- (3)

11 器件和文档支持

11.1 器件支持

11.1.1 第三方产品免责声明

TI 发布的与第三方产品或服务有关的信息，不能构成与此类产品或服务或保修的适用性有关的认可，不能构成此类产品或服务单独或与任何 TI 产品或服务一起的表示或认可。

11.2 接收文档更新通知

如需接收文档更新通知，请访问 www.ti.com 网站的器件产品文件夹。单击右上角的 *通知我* 进行注册，即可每周接收产品信息更改摘要。有关更改的详细信息，请查看任何已修订文档中包含的修订历史记录。

11.3 社区资源

下列链接提供到 TI 社区资源的连接。链接的内容由各个分销商“按照原样”提供。这些内容并不构成 TI 技术规范，并且不一定反映 TI 的观点；请参阅 TI 的《使用条款》。

TI E2E™ 在线社区 *TI 的工程师对工程师 (E2E) 社区*。此社区的创建目的在于促进工程师之间的协作。在 e2e.ti.com 中，您可以咨询问题、分享知识、拓展思路并与同行工程师一道帮助解决问题。

设计支持 *TI 参考设计支持* 可帮助您快速查找有帮助的 E2E 论坛、设计支持工具以及技术支持的联系信息。

11.4 商标

PowerPAD, E2E are trademarks of Texas Instruments.
All other trademarks are the property of their respective owners.

11.5 静电放电警告



这些装置包含有限的内置 ESD 保护。存储或装卸时，应将导线一起截短或将装置放置于导电泡棉中，以防止 MOS 门极遭受静电损伤。

11.6 术语表

SLYZ022 — *TI 术语表*。

这份术语表列出并解释术语、缩写和定义。

12 机械、封装和可订购信息

以下页面包含机械、封装和可订购信息。这些信息是指定器件的最新可用数据。数据如有变更，恕不另行通知，且不会对此文档进行修订。如需获取此数据表的浏览器版本，请查阅左侧的导航栏。

PACKAGING INFORMATION

Orderable part number	Status (1)	Material type (2)	Package Pins	Package qty Carrier	RoHS (3)	Lead finish/ Ball material (4)	MSL rating/ Peak reflow (5)	Op temp (°C)	Part marking (6)
TPS51206DSQR	Active	Production	WSON (DSQ) 10	3000 LARGE T&R	Yes	NIPDAU	Level-2-260C-1 YEAR	-40 to 105	1206
TPS51206DSQR.B	Active	Production	WSON (DSQ) 10	3000 LARGE T&R	Yes	NIPDAU	Level-2-260C-1 YEAR	-40 to 105	1206
TPS51206DSQRG4	Active	Production	WSON (DSQ) 10	3000 LARGE T&R	Yes	NIPDAU	Level-2-260C-1 YEAR	-40 to 105	1206
TPS51206DSQRG4.B	Active	Production	WSON (DSQ) 10	3000 LARGE T&R	Yes	NIPDAU	Level-2-260C-1 YEAR	-40 to 105	1206
TPS51206DSQT	Active	Production	WSON (DSQ) 10	250 SMALL T&R	Yes	NIPDAU	Level-2-260C-1 YEAR	-40 to 105	1206
TPS51206DSQT.B	Active	Production	WSON (DSQ) 10	250 SMALL T&R	Yes	NIPDAU	Level-2-260C-1 YEAR	-40 to 105	1206

(1) **Status:** For more details on status, see our [product life cycle](#).

(2) **Material type:** When designated, preproduction parts are prototypes/experimental devices, and are not yet approved or released for full production. Testing and final process, including without limitation quality assurance, reliability performance testing, and/or process qualification, may not yet be complete, and this item is subject to further changes or possible discontinuation. If available for ordering, purchases will be subject to an additional waiver at checkout, and are intended for early internal evaluation purposes only. These items are sold without warranties of any kind.

(3) **RoHS values:** Yes, No, RoHS Exempt. See the [TI RoHS Statement](#) for additional information and value definition.

(4) **Lead finish/Ball material:** Parts may have multiple material finish options. Finish options are separated by a vertical ruled line. Lead finish/Ball material values may wrap to two lines if the finish value exceeds the maximum column width.

(5) **MSL rating/Peak reflow:** The moisture sensitivity level ratings and peak solder (reflow) temperatures. In the event that a part has multiple moisture sensitivity ratings, only the lowest level per JEDEC standards is shown. Refer to the shipping label for the actual reflow temperature that will be used to mount the part to the printed circuit board.

(6) **Part marking:** There may be an additional marking, which relates to the logo, the lot trace code information, or the environmental category of the part.

Multiple part markings will be inside parentheses. Only one part marking contained in parentheses and separated by a "~" will appear on a part. If a line is indented then it is a continuation of the previous line and the two combined represent the entire part marking for that device.

Important Information and Disclaimer: The information provided on this page represents TI's knowledge and belief as of the date that it is provided. TI bases its knowledge and belief on information provided by third parties, and makes no representation or warranty as to the accuracy of such information. Efforts are underway to better integrate information from third parties. TI has taken and continues to take reasonable steps to provide representative and accurate information but may not have conducted destructive testing or chemical analysis on incoming materials and chemicals. TI and TI suppliers consider certain information to be proprietary, and thus CAS numbers and other limited information may not be available for release.

In no event shall TI's liability arising out of such information exceed the total purchase price of the TI part(s) at issue in this document sold by TI to Customer on an annual basis.

TAPE AND REEL INFORMATION

QUADRANT ASSIGNMENTS FOR PIN 1 ORIENTATION IN TAPE

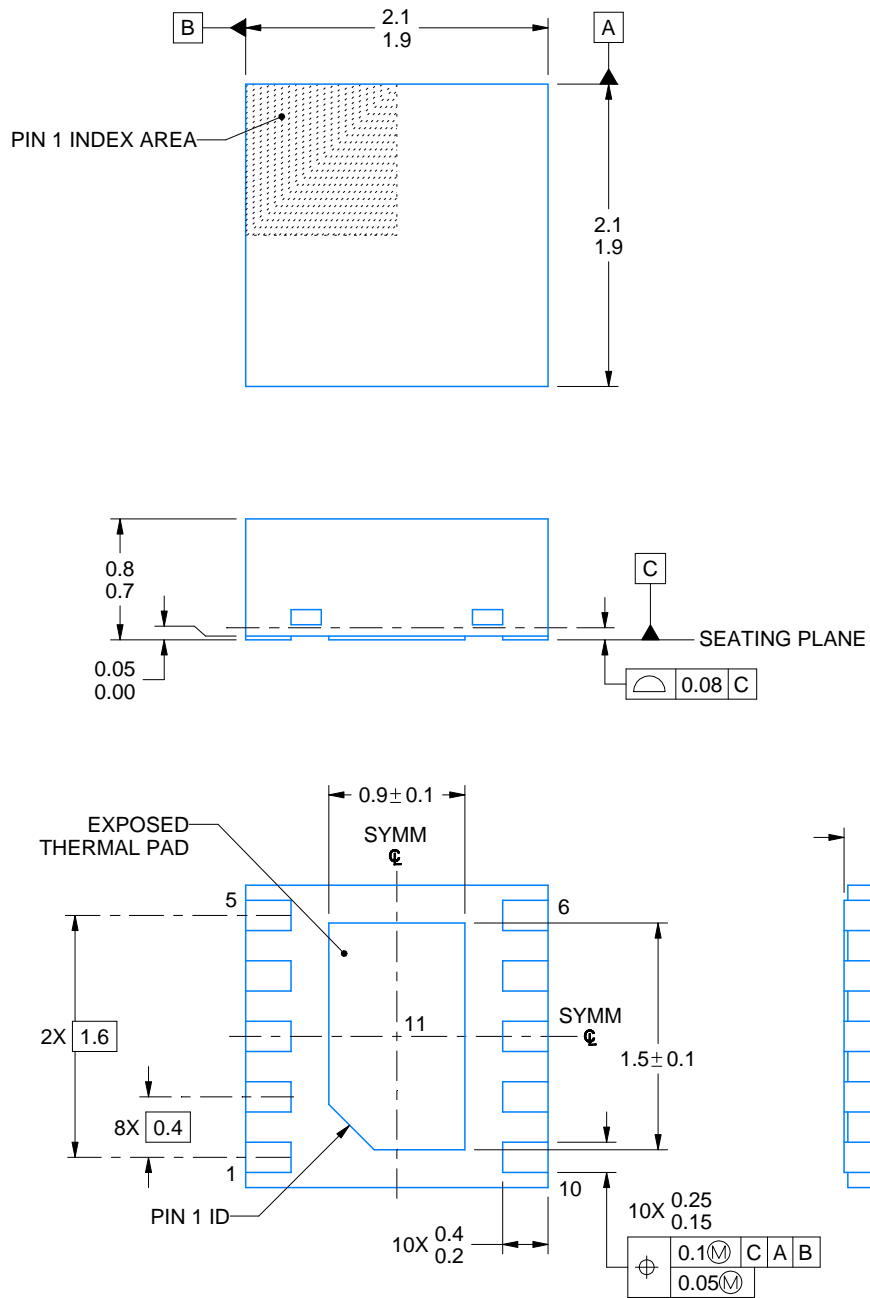
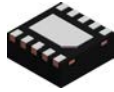

*All dimensions are nominal

Device	Package Type	Package Drawing	Pins	SPQ	Reel Diameter (mm)	Reel Width W1 (mm)	A0 (mm)	B0 (mm)	K0 (mm)	P1 (mm)	W (mm)	Pin1 Quadrant
TPS51206DSQR	WSON	DSQ	10	3000	180.0	8.4	2.3	2.3	1.15	4.0	8.0	Q2
TPS51206DSQR	WSON	DSQ	10	3000	180.0	8.4	2.3	2.3	1.15	4.0	8.0	Q2
TPS51206DSQRG4	WSON	DSQ	10	3000	180.0	8.4	2.3	2.3	1.15	4.0	8.0	Q2
TPS51206DSQT	WSON	DSQ	10	250	180.0	8.4	2.3	2.3	1.15	4.0	8.0	Q2

TAPE AND REEL BOX DIMENSIONS


*All dimensions are nominal

Device	Package Type	Package Drawing	Pins	SPQ	Length (mm)	Width (mm)	Height (mm)
TPS51206DSQR	WSON	DSQ	10	3000	213.0	191.0	35.0
TPS51206DSQR	WSON	DSQ	10	3000	210.0	185.0	35.0
TPS51206DSQRG4	WSON	DSQ	10	3000	210.0	185.0	35.0
TPS51206DSQT	WSON	DSQ	10	250	210.0	185.0	35.0



4218906/A 04/2019

NOTES:

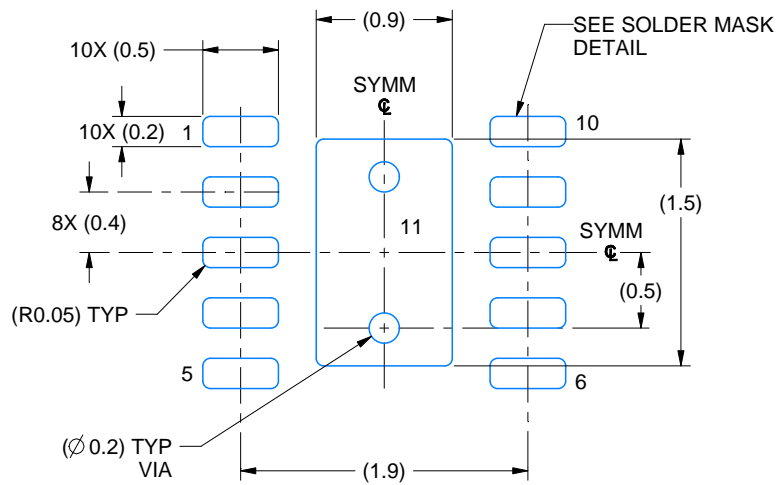
1. All linear dimensions are in millimeters. Any dimensions in parenthesis are for reference only. Dimensioning and tolerancing per ASME Y14.5M.
2. This drawing is subject to change without notice.
3. The package thermal pad must be soldered to the printed circuit board for thermal and mechanical performance.

EXAMPLE BOARD LAYOUT

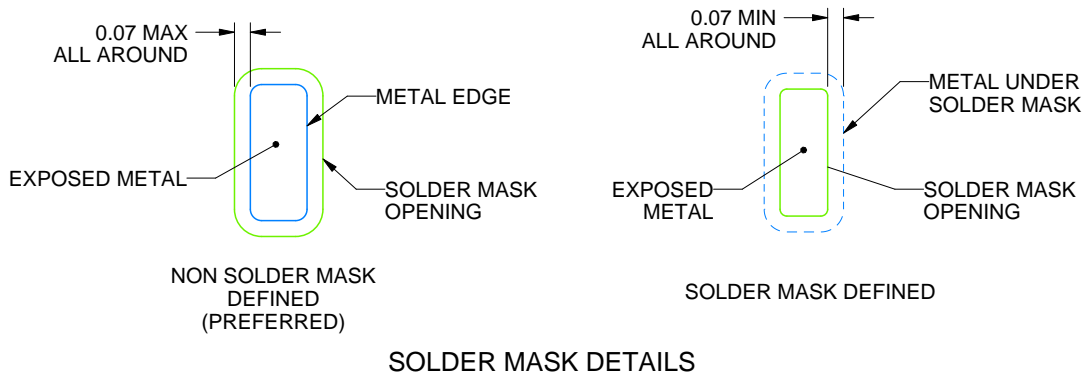
DSQ0010A

WSON - 0.8 mm max height

PLASTIC SMALL OUTLINE - NO LEAD



LAND PATTERN EXAMPLE
EXPOSED METAL SHOWN
SCALE: 20X



4218906/A 04/2019

NOTES: (continued)

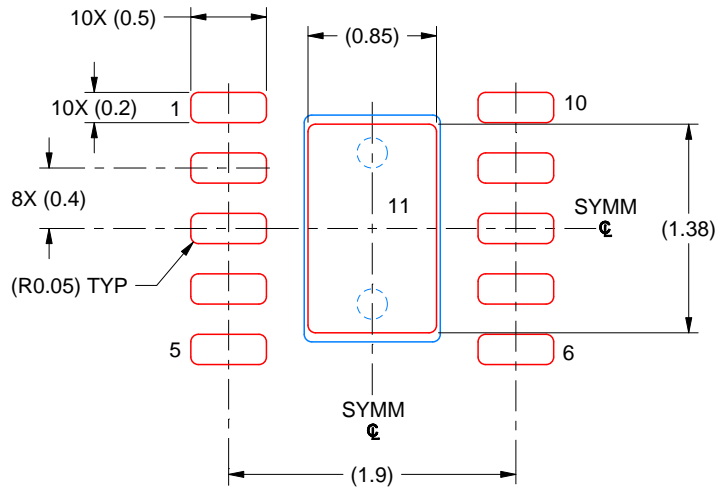
4. This package is designed to be soldered to a thermal pad on the board. For more information, see Texas Instruments literature number SLUA271 (www.ti.com/lit/slua271).
5. Vias are optional depending on application, refer to device data sheet. If any vias are implemented, refer to their locations shown on this view. It is recommended that vias under paste be filled, plugged or tented.

EXAMPLE STENCIL DESIGN

DSQ0010A

WSON - 0.8 mm max height

PLASTIC SMALL OUTLINE - NO LEAD



SOLDER PASTE EXAMPLE
BASED ON 0.125 MM THICK STENCIL
SCALE: 20X

EXPOSED PAD 11
87% PRINTED SOLDER COVERAGE BY AREA UNDER PACKAGE

4218906/A 04/2019

NOTES: (continued)

6. Laser cutting apertures with trapezoidal walls and rounded corners may offer better paste release. IPC-7525 may have alternate design recommendations.

重要通知和免责声明

TI“按原样”提供技术和可靠性数据（包括数据表）、设计资源（包括参考设计）、应用或其他设计建议、网络工具、安全信息和其他资源，不保证没有瑕疵且不做任何明示或暗示的担保，包括但不限于对适销性、与某特定用途的适用性或不侵犯任何第三方知识产权的暗示担保。

这些资源可供使用 TI 产品进行设计的熟练开发人员使用。您将自行承担以下全部责任：(1) 针对您的应用选择合适的 TI 产品，(2) 设计、验证并测试您的应用，(3) 确保您的应用满足相应标准以及任何其他安全、安保法规或其他要求。

这些资源如有变更，恕不另行通知。TI 授权您仅可将这些资源用于研发本资源所述的 TI 产品的相关应用。严禁以其他方式对这些资源进行复制或展示。您无权使用任何其他 TI 知识产权或任何第三方知识产权。对于因您对这些资源的使用而对 TI 及其代表造成的任何索赔、损害、成本、损失和债务，您将全额赔偿，TI 对此概不负责。

TI 提供的产品受 [TI 销售条款](#)、[TI 通用质量指南](#) 或 [ti.com](#) 上其他适用条款或 TI 产品随附的其他适用条款的约束。TI 提供这些资源并不会扩展或以其他方式更改 TI 针对 TI 产品发布的适用的担保或担保免责声明。除非德州仪器 (TI) 明确将某产品指定为定制产品或客户特定产品，否则其产品均为按确定价格收入目录的标准通用器件。

TI 反对并拒绝您可能提出的任何其他或不同的条款。

版权所有 © 2025，德州仪器 (TI) 公司

最后更新日期：2025 年 10 月