

## TPD4E001-Q1 具有 1.5pF I/O 电容的 4 通道 ESD 保护阵列

### 1 特性

- 符合 AEC-Q100 标准，其中包括以下内容：
  - 器件温度等级 1: -40°C 至 +125°C 运行环境温度范围
  - 器件人体模型 (HBM) 静电放电 (ESD) 分类等级 3B
  - HBM 电平 15kV
  - 器件带电器件模型 (CDM) ESD 分类等级 C5
- IEC 61000-4-2 4 级 ESD 保护
  - ±8kV 接触放电
  - ±15kV 气隙放电
- IEC 61000-4-5 浪涌保护
  - 5.5A (8/20μs)
- 输入电容低至 1.5pF
- 最大泄漏电流低至 10nA
- 电源电压范围：0.9V 至 5.5V

### 2 应用

- 终端设备
  - 汽车音响主机
  - 汽车后座娱乐系统
  - 汽车后置摄像头系统
- 接口
  - USB 2.0
  - 以太网
  - 精密模拟接口

### 3 说明

TPD4E001-Q1 器件是一款低电容 TVS 二极管阵列，设计用于为通信线路中连接的敏感电子元件提供 ESD 保护。每个通道包含一对将 ESD 脉冲引导至  $V_{CC}$  或者 GND 的瞬态电压抑制二极管。根据 IEC 61000-4-2 国际标准规定，TPD4E001-Q1 可防止接触放电电压高达 ±8kV 和气隙放电高达电压 ±15kV 的 ESD 事件发生。该器件每通道的电容低至 1.5pF，因此非常适用于高速数据接口。低泄露电流（最大 10nA）确保了系统的最低功耗和模块接口的高精度。

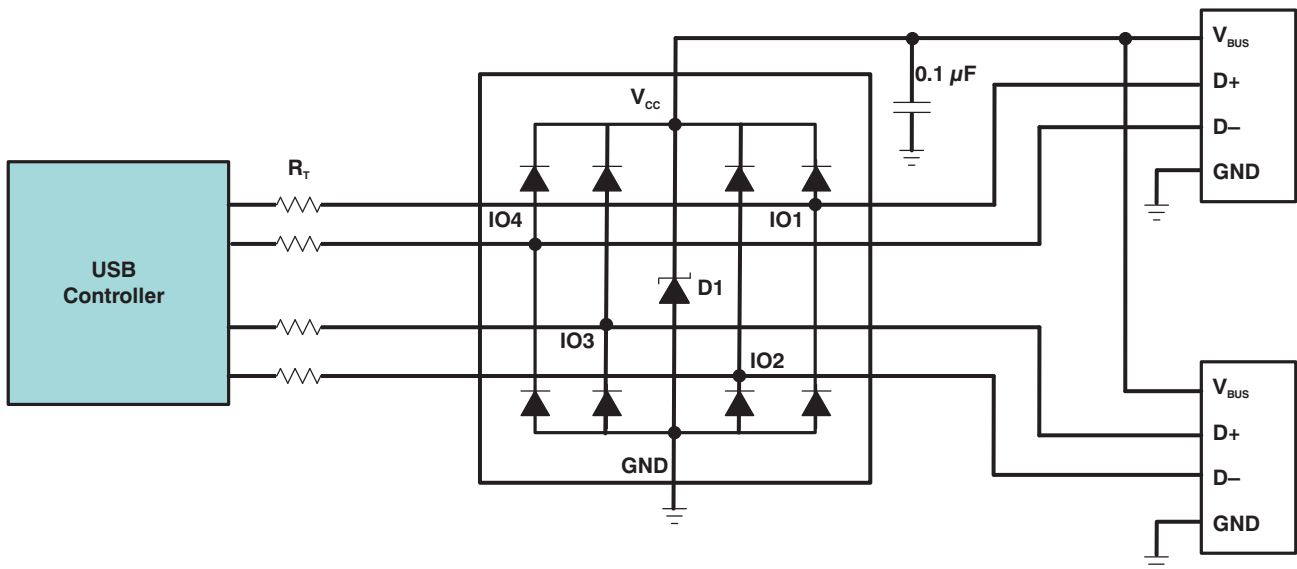
此外，此器件还适用于为使用 USB 2.0、以太网或高精度模拟接口的汽车音响主机、后座娱乐系统以及后座摄像机系统提供保护。

器件信息<sup>(1)</sup>

| 器件型号        | 封装         | 封装尺寸 (标称值)      |
|-------------|------------|-----------------|
| TPD4E001-Q1 | SOT-23 (6) | 2.90mm x 1.60mm |

(1) 如需了解所有可用封装，请见数据表末尾的可订购产品附录。

典型电路原理图



## 目录

|          |  |          |           |   |           |
|----------|--|----------|-----------|---|-----------|
| <b>1</b> | 特性 .....                                     | <b>1</b> | 7.3       | Feature Description .....                   | <b>7</b>  |
| <b>2</b> | 应用 .....                                     | <b>1</b> | 7.4       | Device Functional Modes.....                | <b>8</b>  |
| <b>3</b> | 说明 .....                                     | <b>1</b> | <b>8</b>  | <b>Application and Implementation .....</b> | <b>9</b>  |
| <b>4</b> | 修订历史记录 .....                                 | <b>2</b> | 8.1       | Application Information.....                | <b>9</b>  |
| <b>5</b> | <b>Pin Configuration and Functions .....</b> | <b>3</b> | 8.2       | Typical Application .....                   | <b>9</b>  |
| <b>6</b> | <b>Specifications.....</b>                   | <b>4</b> | <b>9</b>  | <b>Power Supply Recommendations.....</b>    | <b>11</b> |
| 6.1      | Absolute Maximum Ratings .....               | <b>4</b> | <b>10</b> | <b>Layout.....</b>                          | <b>12</b> |
| 6.2      | ESD Ratings—AEC Specification .....          | <b>4</b> | 10.1      | Layout Guidelines .....                     | <b>12</b> |
| 6.3      | ESD Ratings—IEC Specification .....          | <b>4</b> | 10.2      | Layout Example .....                        | <b>12</b> |
| 6.4      | ESD Ratings—ISO Specification .....          | <b>4</b> | <b>11</b> | <b>器件和文档支持 .....</b>                        | <b>13</b> |
| 6.5      | Recommended Operating Conditions.....        | <b>5</b> | 11.1      | 文档支持.....                                   | <b>13</b> |
| 6.6      | Thermal Information .....                    | <b>5</b> | 11.2      | 接收文档更新通知 .....                              | <b>13</b> |
| 6.7      | Electrical Characteristics.....              | <b>5</b> | 11.3      | 社区资源 .....                                  | <b>13</b> |
| 6.8      | Typical Characteristics .....                | <b>6</b> | 11.4      | 商标 .....                                    | <b>13</b> |
| <b>7</b> | <b>Detailed Description .....</b>            | <b>7</b> | 11.5      | 静电放电警告.....                                 | <b>13</b> |
| 7.1      | Overview .....                               | <b>7</b> | 11.6      | Glossary .....                              | <b>13</b> |
| 7.2      | Functional Block Diagram .....               | <b>7</b> | <b>12</b> | <b>机械、封装和可订购信息.....</b>                     | <b>13</b> |

## 4 修订历史记录

注：之前版本的页码可能与当前版本有所不同。

| <b>Changes from Revision E (June 2017) to Revision F</b> | <b>Page</b> |
|--|-------------|
| • Added ISO Specification.....                           | <b>4</b>    |

| <b>Changes from Revision D (March 2015) to Revision E</b> | <b>Page</b> |
|---|-------------|
| • Updated <i>Typical Application Schematic</i> .....      | <b>9</b>    |

| <b>Changes from Revision C (June 2013) to Revision D</b>  | <b>Page</b> |
|---|-------------|
| • 已添加 引脚配置和功能部分, ESD 额定值表, 特性 描述部分, 器件功能模式, 应用和实施部分, 电源相关建议部分, 布局部分, 器件和文档支持部分以及机械、封装和可订购信息部分 ..... | <b>1</b>    |
| • 已更改 器件 CDM ESD 分类等级, 从 C4B 改为 C5 .....  | <b>1</b>    |

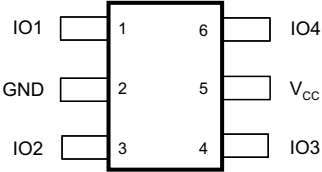
| <b>Changes from Revision B (February 2012) to Revision C</b>                  | <b>Page</b> |
|---|-------------|
| • Changed maximum $I_{CC}$ supply current in Electrical Characteristics ..... | <b>5</b>    |

| <b>Changes from Revision A (April 2013) to Revision B</b> | <b>Page</b> |
|---|-------------|
| • 已修改 说明 部分的文本.....                                       | <b>1</b>    |
| • Revised <a href="#">Figure 2</a> graph .....            | <b>5</b>    |
| • Revised APPLICATION INFORMATION schematic .....         | <b>9</b>    |

## 5 Pin Configuration and Functions

**DBV Package  
6-Pin SOT-23  
Top View**



**Pin Functions**

| PIN             |     | TYPE | DESCRIPTION   |
|-----------------|-----|------|---|
| NAME            | NO. |      |   |
| GND             | 2   | GND  | Ground  |
| IO1             | 1   | I/O  | ESD-protected channel   |
| IO2             | 3   |      |   |
| IO3             | 4   |      |   |
| IO4             | 6   |      |   |
| V <sub>CC</sub> | 5   | I    | Power-supply input. Bypass V <sub>CC</sub> to GND with a 0.1-μF ceramic capacitor |

## 6 Specifications

### 6.1 Absolute Maximum Ratings

over operating free-air temperature range (unless otherwise noted) <sup>(1)</sup>

|                  |  | MIN  | MAX                   | UNIT |
|------------------|--|------|-----------------------|------|
| V <sub>CC</sub>  | Supply voltage   | -0.3 | 7                     | V    |
| V <sub>IO</sub>  | I/O voltage tolerance  | -0.3 | V <sub>CC</sub> + 0.3 | V    |
| I <sub>PP</sub>  | Peak pulse current (T <sub>p</sub> = 8/20 μs) <sup>(2)</sup> |      | 5.5                   | A    |
| P <sub>PP</sub>  | Peak pulse power (T <sub>p</sub> = 8/20 μs) <sup>(2)</sup>   |      | 100                   | W    |
| T <sub>A</sub>   | Free air operating temperature                               | -40  | 125                   | °C   |
| T <sub>J</sub>   | Junction temperature   |      | 150                   | °C   |
| T <sub>stg</sub> | Storage temperature  | -65  | 150                   | °C   |

(1) Stresses beyond those listed under *Absolute Maximum Ratings* may cause permanent damage to the device. These are stress ratings only, which do not imply functional operation of the device at these or any other conditions beyond those indicated under *Recommended Operating Conditions*. Exposure to absolute-maximum-rated conditions for extended periods may affect device reliability.

(2) Non-repetitive current pulse 8/20 μs exponentially decaying waveform according to IEC 61000-4-5.

### 6.2 ESD Ratings—AEC Specification

|                    |                         |   | VALUE  | UNIT |
|--------------------|-------------------------|---|--------|------|
| V <sub>(ESD)</sub> | Electrostatic discharge | Human-body model (HBM), per AEC Q100-002 <sup>(1)</sup> | ±15000 | V    |
|                    |                         | Charged-device model (CDM), per AEC Q100-011            | ±750   |      |

(1) AEC Q100-002 indicates that HBM stressing shall be in accordance with the ANSI/ESDA/JEDEC JS-001 specification.

### 6.3 ESD Ratings—IEC Specification

|                    |                         |                                 | VALUE  | UNIT |
|--------------------|-------------------------|---------------------------------|--------|------|
| V <sub>(ESD)</sub> | Electrostatic discharge | IEC 61000-4-2 contact discharge | ±8000  | V    |
|                    |                         | IEC 61000-4-2 air-gap discharge | ±15000 |      |

### 6.4 ESD Ratings—ISO Specification

|                    |                         |   | VALUE  | UNIT |
|--------------------|-------------------------|---|--------|------|
| V <sub>(ESD)</sub> | Electrostatic discharge | ISO 10605 (330 pF, 330 Ω) contact discharge | ±8000  | V    |
|                    |                         | ISO 10605 (330 pF, 330 Ω) air-gap discharge | ±15000 |      |

## 6.5 Recommended Operating Conditions

over operating free-air temperature range (unless otherwise noted)

|                         |                                | MIN | MAX      | UNIT |
|-------------------------|--------------------------------|-----|----------|------|
| $T_A$                   | Free air operating temperature | -40 | 125      | °C   |
| $V_{CC}$ pin            | Operating voltage              | 0.9 | 5.5      | V    |
| IO1, IO2, IO3, IO4 pins | Operating voltage              | 0   | $V_{CC}$ | V    |

## 6.6 Thermal Information

| THERMAL METRIC <sup>(1)</sup> |  | TPD4E001-Q1  |  | UNIT |
|-------------------------------|--|--------------|--|------|
|                               |  | DBV (SOT-23) |  |      |
|                               |  | 6 PINS       |  |      |
| $R_{\theta JA}$               | Junction-to-ambient thermal resistance       | 202.1        |  | °C/W |
| $R_{\theta JC(top)}$          | Junction-to-case (top) thermal resistance    | 146.2        |  | °C/W |
| $R_{\theta JB}$               | Junction-to-board thermal resistance         | 47.1         |  | °C/W |
| $\Psi_{JT}$                   | Junction-to-top characterization parameter   | 37.6         |  | °C/W |
| $\Psi_{JB}$                   | Junction-to-board characterization parameter | 46.7         |  | °C/W |

(1) For more information about traditional and new thermal metrics, see the [Semiconductor and IC Package Thermal Metrics](#) application report.

## 6.7 Electrical Characteristics

$V_{CC} = 5\text{ V} \pm 10\%$ , over operating free-air temperature range (unless otherwise noted)

| PARAMETER   | TEST CONDITIONS           |  | MIN  | TYP <sup>(1)</sup> | MAX      | UNIT |
|-------------|---------------------------|--|------|--------------------|----------|------|
| $I_{CC}$    | Supply current            |  |      | 1                  | 200      | nA   |
| $V_F$       | Diode forward voltage     | $I_F = 10\text{ mA}$   | 0.65 |                    | 0.95     | V    |
| $V_{BR}$    | Breakdown voltage         | $I_{BR} = 10\text{ mA}$  | 11   |                    |          | V    |
| $V_{CLAMP}$ | Clamping voltage          | Surge strike <sup>(2)</sup> on IO pin, GND pin grounded, $V_{CC} = 5.5\text{ V}$ , $I_{PP} = 5.5\text{ A}$ |      | 16                 |          | V    |
| $V_{RWM}$   | Reverse standoff voltage  | IO pin to GND pin  |      |                    | 5.5      | V    |
| $I_{IO}$    | Channel leakage current   | $V_{IO} = \text{GND to } V_{CC}$   |      |                    | $\pm 10$ | nA   |
| $C_{IO}$    | Channel input capacitance | $V_{CC} = 5\text{ V}$ , bias of $V_{CC}/2$ , $f = 10\text{ MHz}$   |      | 1.5                |          | pF   |

(1) Typical values are at  $V_{CC} = 5\text{ V}$  and  $T_A = 25^\circ\text{C}$ .

(2) Non-repetitive current pulse 8/20  $\mu\text{s}$  exponentially decaying waveform according to IEC 61000-4-5.

### 6.8 Typical Characteristics

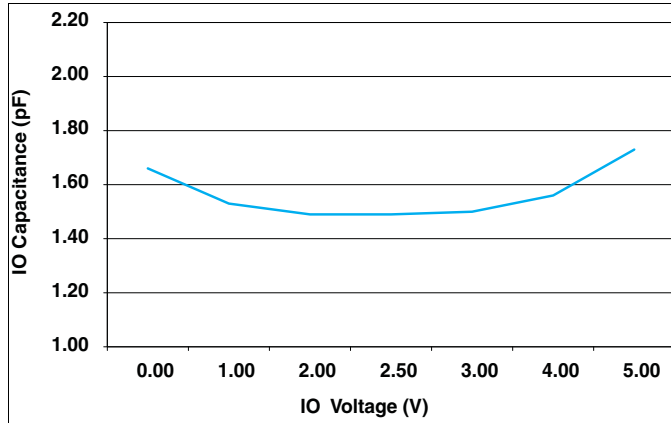


Figure 1. IO Capacitance vs IO Voltage (V<sub>CC</sub> = 5 V)

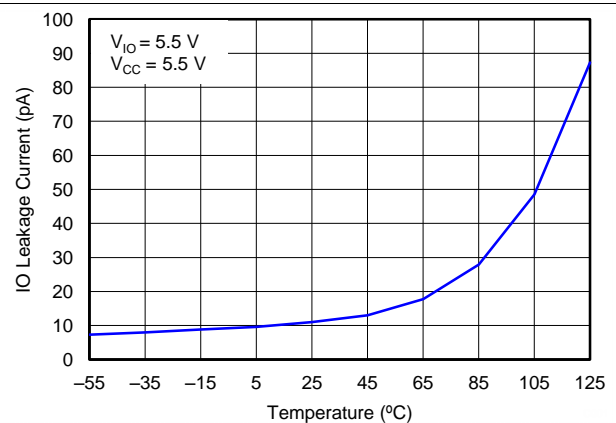


Figure 2. IO Leakage Current vs Temperature

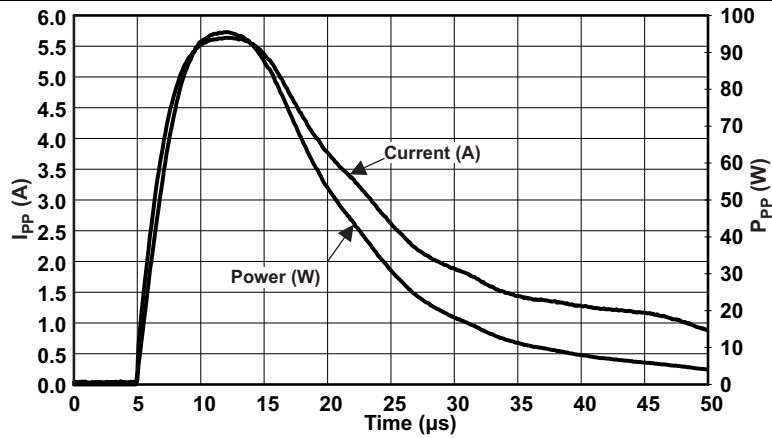


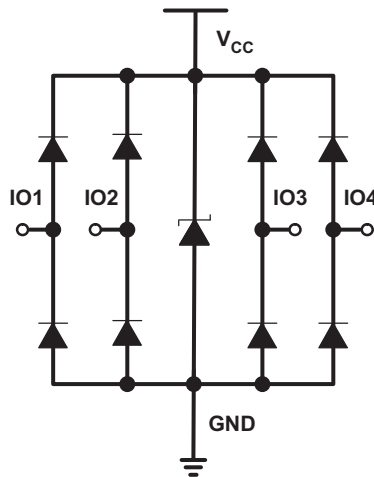
Figure 3. Peak Pulse Waveform, V<sub>CC</sub> = 5.5 V

## 7 Detailed Description

### 7.1 Overview

The TPD4E001-Q1 device is a low-capacitance, TVS diode array designed for ESD protection in sensitive electronics connected to communication lines. Each channel consists of a pair of transient voltage suppression diodes that steer ESD pulses to  $V_{CC}$  or GND. The TPD4E001-Q1 device protects against ESD events up to  $\pm 8$ -kV contact discharge and  $\pm 15$ -kV air-gap discharge, as specified in IEC 61000-4-2 international standard. This device has a low capacitance of 1.5-pF per channel making it ideal for use in high-speed data interfaces. The low-leakage current (10 nA maximum) ensures minimum power consumption for the system and high accuracy for analog interfaces.

### 7.2 Functional Block Diagram



### 7.3 Feature Description

#### 7.3.1 AEC-Q100 Qualified

This device is qualified according to the AEC-Q100 standard. The device temperature rating is Grade 1 ( $-40^{\circ}\text{C}$  to  $+125^{\circ}\text{C}$ ). The HBM Classification Level passed is 3B ( $> 8$  kV). The CDM Classification Level passed is C5 (all pins 750 V to  $< 1000$  V).

#### 7.3.2 IEC 61000-4-2 Level 4 ESD Protection

The device is specified at  $\pm 8$ -kV contact discharge and  $\pm 15$ -kV air gap discharge.

#### 7.3.3 IEC 61000-4-5 Surge Protection

This device is rated to pass at least 5.5-A of peak pulse current according to the IEC 61000-4-5 (8/20- $\mu\text{s}$  pulse) standard.

#### 7.3.4 Low 1.5-pF Input Capacitance

This device has a typical capacitance of 1.5-pF on each of the four IO pins. This allows for high speed signals on the IO pins in excess of 1 Gbps.

#### 7.3.5 Low 10-nA (Maximum) Leakage Current

This device is rated to have a maximum leakage current of 10-nA on each of the four IO pins.

#### 7.3.6 0.9-V to 5.5-V Supply Voltage Range

This device is specified to operate with a supply voltage (on  $V_{CC}$ ) between 0.9-V and 5.5-V to ensure sufficient signal integrity.

## 7.4 Device Functional Modes

The TPD4E001-Q1 device is a passive integrated circuit that triggers when voltages are above  $V_{BR}$  or below the lower diodes  $V_F$  ( $-0.6$  V). During ESD events, voltages as high as  $\pm 8$  kV (contact) can be directed to ground via the internal diode network. Once the voltages on the protected line fall below the trigger levels of TPD4E001-Q1 (usually within 10s of nano-seconds) the device reverts back to its high-impedance state.

## 8 Application and Implementation

### NOTE

Information in the following applications sections is not part of the TI component specification, and TI does not warrant its accuracy or completeness. TI's customers are responsible for determining suitability of components for their purposes. Customers should validate and test their design implementation to confirm system functionality.

### 8.1 Application Information

The TPD4E001-Q1 device is a TVS diode array which is typically used to provide a path to ground for dissipating ESD events on high-speed signal lines between a human interface connector and a system. As the current from ESD passes through the TVS, only a small voltage drop is present across the diode. This is the voltage presented to the protected IC. The triggered TVS holds this voltage,  $V_{CLAMP}$ , to a safe level for the protected IC.

### 8.2 Typical Application

For this design example, one TPD4E001-Q1 device is being used in a dual USB 2.0 application. This provides a complete port protection scheme.

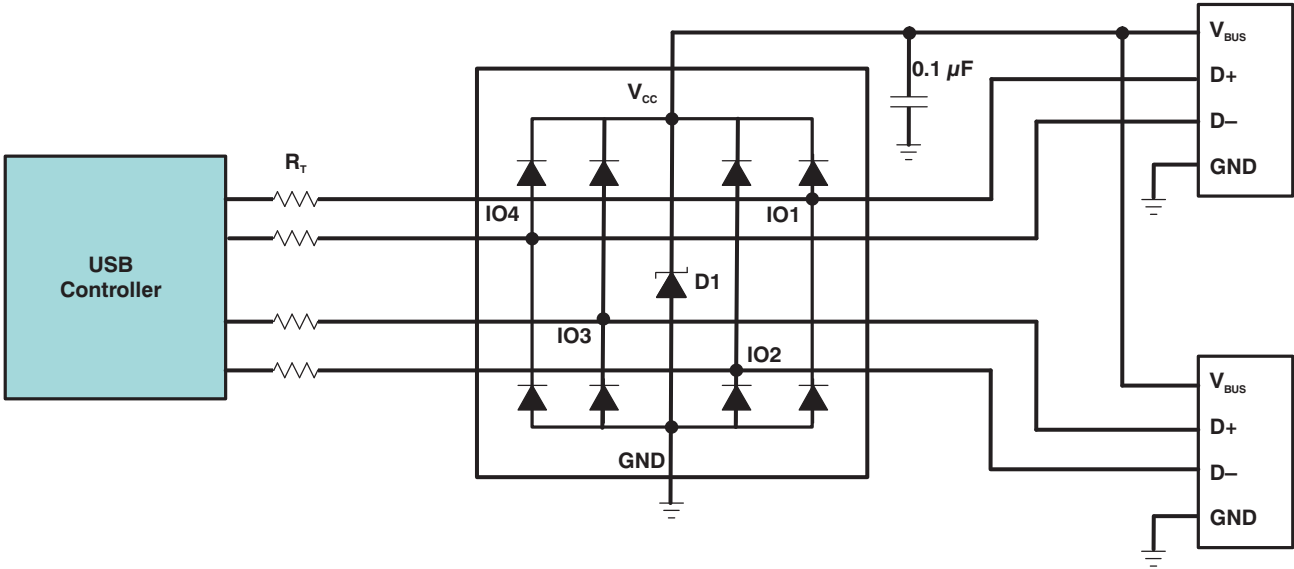


Figure 4. Typical Application Schematic

## Typical Application (continued)

### 8.2.1 Design Requirements

For this design example, a single TPD4E001-Q1 device is used to protect all the pins on two USB2.0 connectors. Given the USB application, known parameters are listed in the [Table 1](#).

**Table 1. Design Parameters**

| DESIGN PARAMETER                             | VALUE         |
|--|---------------|
| Signal range on IO1, IO2, IO3, or IO4        | 0 V to 3.6 V  |
| Voltage range on $V_{CC}$                    | 0 V to 5.25 V |
| Operating Frequency on IO1, IO2, IO3, or IO4 | 240 MHz       |

### 8.2.2 Detailed Design Procedure

To begin the design process, some parameters must be decided upon; the designer needs to know the following:

- Signal range on all protected lines
- Operating frequency on all protected lines

#### 8.2.2.1 Signal Range on IO1 Through IO4

The TPD4E001-Q1 device has 4 identical protection channels for signal lines. The symmetry of the device provides flexibility when selecting which of the 4 IO channels protects which signal lines. Any IO supports a signal range of 0 to  $(V_{CC} + 0.3)$  V. Therefore, this device supports the USB 2.0 signal swing assuming  $V_{CC}$  is set appropriately.

#### 8.2.2.2 Voltage Range on $V_{CC}$

The  $V_{CC}$  pin can be connected in one of two ways:

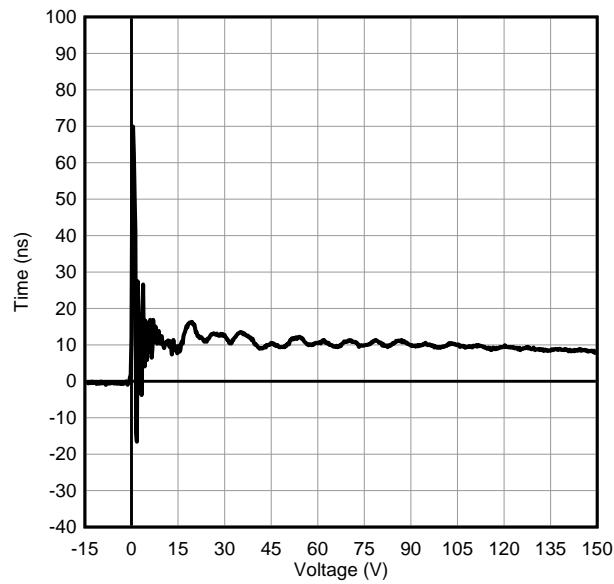
- If the  $V_{CC}$  pin connects to the system power supply, the TPD4E001-Q1 device works as a transient suppressor for any signal swing above  $V_{CC} + V_F$ . TI recommends a 0.1- $\mu$ F capacitor on the device  $V_{CC}$  pin for ESD bypass.
- If the  $V_{CC}$  pin does not connect to the system power supply, the TPD4E001-Q1 device can tolerate higher signal swing in the range up to 10 V. Note that TI still recommends a 0.1- $\mu$ F capacitor at the  $V_{CC}$  pin for ESD bypass.

If this pin is connected to the USB 2.0  $V_{BUS}$  supply or left floating, the allowable signal swing is enough for a USB 2.0 application.

#### 8.2.2.3 Bandwidth on IO1 Through IO4

Each IO pin on the TPD4E001-Q1 device has a typical capacitance of 1.5 pF. This capacitance is low enough to easily support USB 2.0 data rates.

### 8.2.3 Application Curve



**Figure 5. IEC 61000-4-2 Voltage Clamp Waveform 8-kV Contact** G001

## 9 Power Supply Recommendations

This device is a passive ESD protection device so there is no need to power it. Do not violate the maximum voltage specifications for each pin.

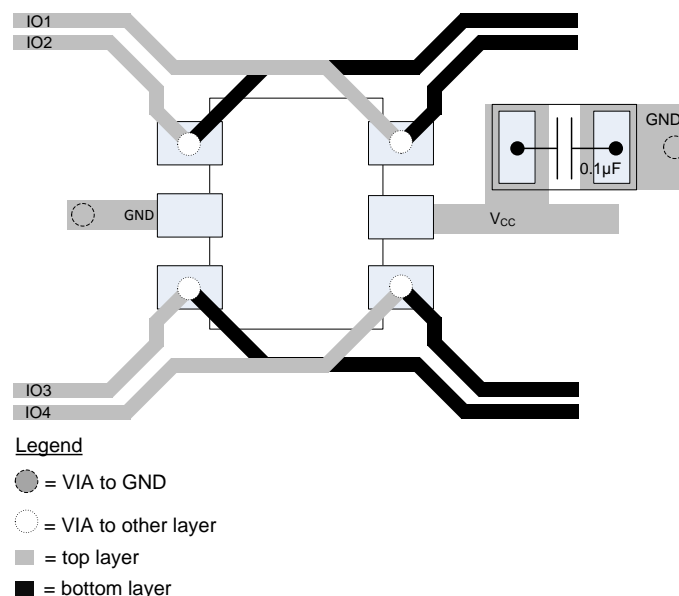
## 10 Layout

### 10.1 Layout Guidelines

When placed near the connector, the TPD4E001-Q1 device's ESD solution offers little or no signal distortion during normal operation due to low IO capacitance and ultra-low leakage-current specifications. The TPD4E001-Q1 device ensures that the core circuitry is protected and the system is functioning properly in the event of an ESD strike. For proper operation, observe the following layout and design guidelines:

- Place the TPD4E001-Q1 device close to the connector. This allows the device to take away the energy associated with ESD strike before it reaches the internal circuitry of the system board.
- Place a 0.1- $\mu$ F capacitor very close to the  $V_{CC}$  pin. This limits any momentary voltage surge at the IO pin during the ESD strike event.
- Ensure that there is enough metallization for the  $V_{CC}$  and GND loop. During normal operation, the TPD4E001-Q1 device consumes nA leakage current. But during the ESD event,  $V_{CC}$  and GND may see 15 A to 30 A of current, depending on the ESD level. Sufficient current path enables safe discharge of all the energy associated with the ESD strike.
- Leave the unused IO pins floating.
- One can connect the  $V_{CC}$  pin in two different ways:
  - a. If the  $V_{CC}$  pin connects to the system power supply, the TPD4E001-Q1 works as a transient suppressor for any signal swing above  $V_{CC} + V_F$ . TI recommends a 0.1- $\mu$ F capacitor on the device  $V_{CC}$  pin for ESD bypass.
  - b. If the  $V_{CC}$  pin does not connect to the system power supply, the TPD4E001-Q1 can tolerate higher signal swing in the range up to 10 V. Note that TI still recommends a 0.1- $\mu$ F capacitor at the  $V_{CC}$  pin for ESD bypass.
- The optimum placement is as close to the connector as possible.
  - EMI during an ESD event can couple from the trace being struck to other nearby unprotected traces, resulting in early system failures.
  - The PCB designer needs to minimize the possibility of EMI coupling by keeping any unprotected traces away from the protected traces which are between the TVS and the connector.
- Route the protected traces as straight as possible.
- Eliminate any sharp corners on the protected traces between the TVS and the connector by using rounded corners with the largest radii possible.
  - Electric fields tend to build up on corners, increasing EMI coupling.

### 10.2 Layout Example



## 11 器件和文档支持

### 11.1 文档支持

#### 11.1.1 相关文档

请参阅如下相关文档：

- [阅读和理解 ESD 保护数据表](#)
- [《ESD 布局指南》](#)

### 11.2 接收文档更新通知

如需接收文档更新通知，请访问 [ti.com](#) 上的器件产品文件夹。单击右上角的 [通知我](#) 进行注册，即可每周接收产品信息更改摘要。有关更改的详细信息，请查看任何已修订文档中包含的修订历史记录。

### 11.3 社区资源

下列链接提供到 TI 社区资源的连接。链接的内容由各个分销商“按照原样”提供。这些内容并不构成 TI 技术规范，并且不一定反映 TI 的观点；请参阅 TI 的 [《使用条款》](#)。

**TI E2E™ 在线社区** [TI 的工程师对工程师 \(E2E\) 社区](#)。此社区的创建目的在于促进工程师之间的协作。在 [e2e.ti.com](#) 中，您可以咨询问题、分享知识、拓展思路并与同行工程师一道帮助解决问题。

**设计支持** [TI 参考设计支持](#) 可帮助您快速查找有帮助的 E2E 论坛、设计支持工具以及技术支持的联系信息。

### 11.4 商标

E2E is a trademark of Texas Instruments.  
All other trademarks are the property of their respective owners.

### 11.5 静电放电警告



这些装置包含有限的内置 ESD 保护。存储或装卸时，应将导线一起截短或将装置放置于导电泡棉中，以防止 MOS 门极遭受静电损伤。

## 11.6 Glossary

[SLYZ022](#) — *TI Glossary*.

This glossary lists and explains terms, acronyms, and definitions.

## 12 机械、封装和可订购信息

以下页面包含机械、封装和可订购信息。这些信息是指定器件的最新可用数据。这些数据如有变更，恕不另行通知和修订此文档。如欲获取此数据表的浏览器版本，请参阅左侧的导航。

## PACKAGING INFORMATION

| Orderable part number           | Status<br>(1) | Material type<br>(2) | Package   Pins   | Package qty   Carrier | RoHS<br>(3) | Lead finish/<br>Ball material<br>(4) | MSL rating/<br>Peak reflow<br>(5) | Op temp (°C) | Part marking<br>(6) |
|---------------------------------|---------------|----------------------|------------------|-----------------------|-------------|--------------------------------------|-----------------------------------|--------------|---------------------|
| <a href="#">TPD4E001QDBVRQ1</a> | Active        | Production           | SOT-23 (DBV)   6 | 3000   LARGE T&R      | Yes         | NIPDAU                               | Level-1-260C-UNLIM                | -40 to 125   | AAXQ                |
| TPD4E001QDBVRQ1.B               | Active        | Production           | SOT-23 (DBV)   6 | 3000   LARGE T&R      | Yes         | NIPDAU                               | Level-1-260C-UNLIM                | -40 to 125   | AAXQ                |

(1) **Status:** For more details on status, see our [product life cycle](#).

(2) **Material type:** When designated, preproduction parts are prototypes/experimental devices, and are not yet approved or released for full production. Testing and final process, including without limitation quality assurance, reliability performance testing, and/or process qualification, may not yet be complete, and this item is subject to further changes or possible discontinuation. If available for ordering, purchases will be subject to an additional waiver at checkout, and are intended for early internal evaluation purposes only. These items are sold without warranties of any kind.

(3) **RoHS values:** Yes, No, RoHS Exempt. See the [TI RoHS Statement](#) for additional information and value definition.

(4) **Lead finish/Ball material:** Parts may have multiple material finish options. Finish options are separated by a vertical ruled line. Lead finish/Ball material values may wrap to two lines if the finish value exceeds the maximum column width.

(5) **MSL rating/Peak reflow:** The moisture sensitivity level ratings and peak solder (reflow) temperatures. In the event that a part has multiple moisture sensitivity ratings, only the lowest level per JEDEC standards is shown. Refer to the shipping label for the actual reflow temperature that will be used to mount the part to the printed circuit board.

(6) **Part marking:** There may be an additional marking, which relates to the logo, the lot trace code information, or the environmental category of the part.

Multiple part markings will be inside parentheses. Only one part marking contained in parentheses and separated by a "-" will appear on a part. If a line is indented then it is a continuation of the previous line and the two combined represent the entire part marking for that device.

**Important Information and Disclaimer:** The information provided on this page represents TI's knowledge and belief as of the date that it is provided. TI bases its knowledge and belief on information provided by third parties, and makes no representation or warranty as to the accuracy of such information. Efforts are underway to better integrate information from third parties. TI has taken and continues to take reasonable steps to provide representative and accurate information but may not have conducted destructive testing or chemical analysis on incoming materials and chemicals. TI and TI suppliers consider certain information to be proprietary, and thus CAS numbers and other limited information may not be available for release.

In no event shall TI's liability arising out of such information exceed the total purchase price of the TI part(s) at issue in this document sold by TI to Customer on an annual basis.

### OTHER QUALIFIED VERSIONS OF TPD4E001-Q1 :

- Catalog : [TPD4E001](#)

NOTE: Qualified Version Definitions:

- Catalog - TI's standard catalog product

**TAPE AND REEL INFORMATION**

**QUADRANT ASSIGNMENTS FOR PIN 1 ORIENTATION IN TAPE**


\*All dimensions are nominal

| Device          | Package Type | Package Drawing | Pins | SPQ  | Reel Diameter (mm) | Reel Width W1 (mm) | A0 (mm) | B0 (mm) | K0 (mm) | P1 (mm) | W (mm) | Pin1 Quadrant |
|-----------------|--------------|-----------------|------|------|--------------------|--------------------|---------|---------|---------|---------|--------|---------------|
| TPD4E001QDBVRQ1 | SOT-23       | DBV             | 6    | 3000 | 178.0              | 9.0                | 3.23    | 3.17    | 1.37    | 4.0     | 8.0    | Q3            |
| TPD4E001QDBVRQ1 | SOT-23       | DBV             | 6    | 3000 | 180.0              | 8.4                | 3.2     | 3.2     | 1.4     | 4.0     | 8.0    | Q3            |

**TAPE AND REEL BOX DIMENSIONS**


\*All dimensions are nominal

| Device          | Package Type | Package Drawing | Pins | SPQ  | Length (mm) | Width (mm) | Height (mm) |
|-----------------|--------------|-----------------|------|------|-------------|------------|-------------|
| TPD4E001QDBVRQ1 | SOT-23       | DBV             | 6    | 3000 | 180.0       | 180.0      | 18.0        |
| TPD4E001QDBVRQ1 | SOT-23       | DBV             | 6    | 3000 | 210.0       | 185.0      | 35.0        |

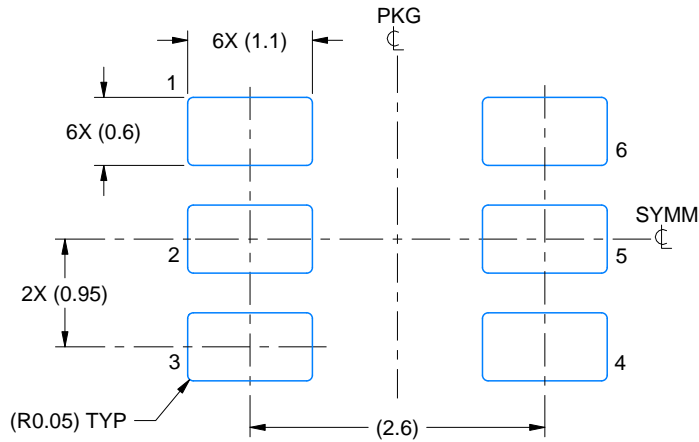


# EXAMPLE BOARD LAYOUT

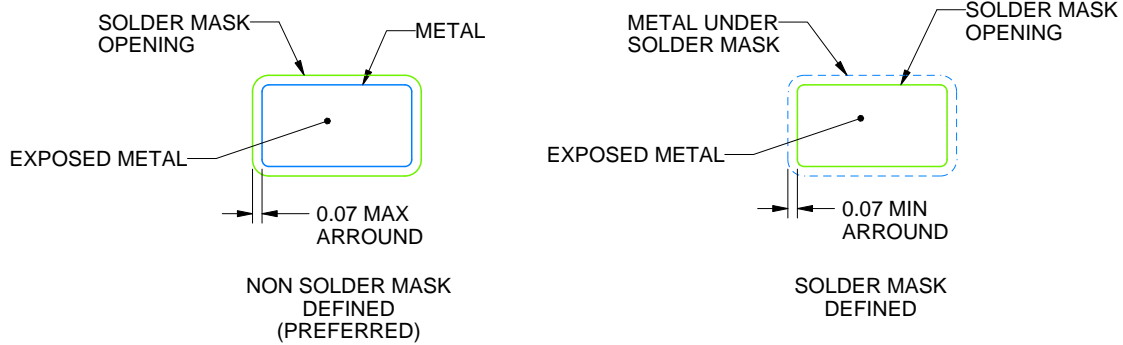
DBV0006A

SOT-23 - 1.45 mm max height

SMALL OUTLINE TRANSISTOR



LAND PATTERN EXAMPLE  
EXPOSED METAL SHOWN  
SCALE:15X



SOLDER MASK DETAILS

4214840/G 08/2024

NOTES: (continued)

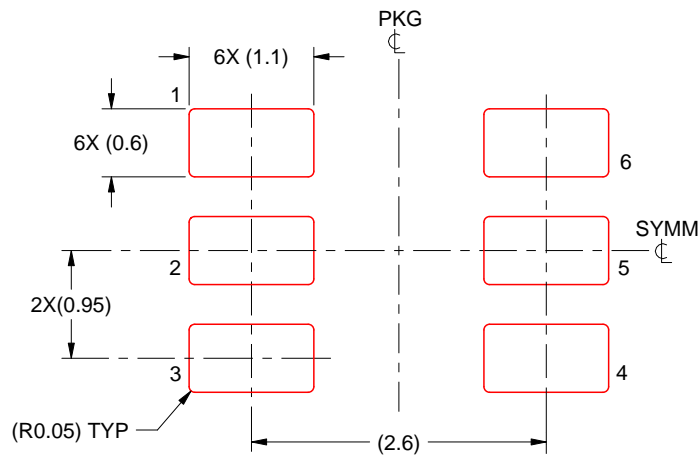
- 6. Publication IPC-7351 may have alternate designs.
- 7. Solder mask tolerances between and around signal pads can vary based on board fabrication site.

# EXAMPLE STENCIL DESIGN

DBV0006A

SOT-23 - 1.45 mm max height

SMALL OUTLINE TRANSISTOR



SOLDER PASTE EXAMPLE  
BASED ON 0.125 mm THICK STENCIL  
SCALE:15X

4214840/G 08/2024

NOTES: (continued)

8. Laser cutting apertures with trapezoidal walls and rounded corners may offer better paste release. IPC-7525 may have alternate design recommendations.
9. Board assembly site may have different recommendations for stencil design.

## 重要通知和免责声明

TI“按原样”提供技术和可靠性数据（包括数据表）、设计资源（包括参考设计）、应用或其他设计建议、网络工具、安全信息和其他资源，不保证没有瑕疵且不做任何明示或暗示的担保，包括但不限于对适销性、与某特定用途的适用性或不侵犯任何第三方知识产权的暗示担保。

这些资源可供使用 TI 产品进行设计的熟练开发人员使用。您将自行承担以下全部责任：(1) 针对您的应用选择合适的 TI 产品，(2) 设计、验证并测试您的应用，(3) 确保您的应用满足相应标准以及任何其他安全、安保法规或其他要求。

这些资源如有变更，恕不另行通知。TI 授权您仅可将这些资源用于研发本资源所述的 TI 产品的相关应用。严禁以其他方式对这些资源进行复制或展示。您无权使用任何其他 TI 知识产权或任何第三方知识产权。对于因您对这些资源的使用而对 TI 及其代表造成的任何索赔、损害、成本、损失和债务，您将全额赔偿，TI 对此概不负责。

TI 提供的产品受 [TI 销售条款](#)、[TI 通用质量指南](#) 或 [ti.com](#) 上其他适用条款或 TI 产品随附的其他适用条款的约束。TI 提供这些资源并不会扩展或以其他方式更改 TI 针对 TI 产品发布的适用的担保或担保免责声明。除非德州仪器 (TI) 明确将某产品指定为定制产品或客户特定产品，否则其产品均为按确定价格收入目录的标准通用器件。

TI 反对并拒绝您可能提出的任何其他或不同的条款。

版权所有 © 2026，德州仪器 (TI) 公司

最后更新日期：2025 年 10 月